



SUZUKI®

DR350S

(Street Model Only)

Spare Parts Catalog

1990 – 1996

Accuracy

I've made every attempt to ensure the data within this document is accurate. However, mistakes do happen. Be sure to double check everything before you place an order and get stuck with the wrong part. If you discover a mistake, please let me know.

Letter Designations

Suzuki uses alphabetic codes to differentiate model years. These letter codes are referenced throughout this spare parts catalog. Here they are in case you've forgotten:

L	1990
M	1991
N	1992
P	1993
R	1994
S	1995
T	1996
V	1997
W	1998
X	1999

FIG.1

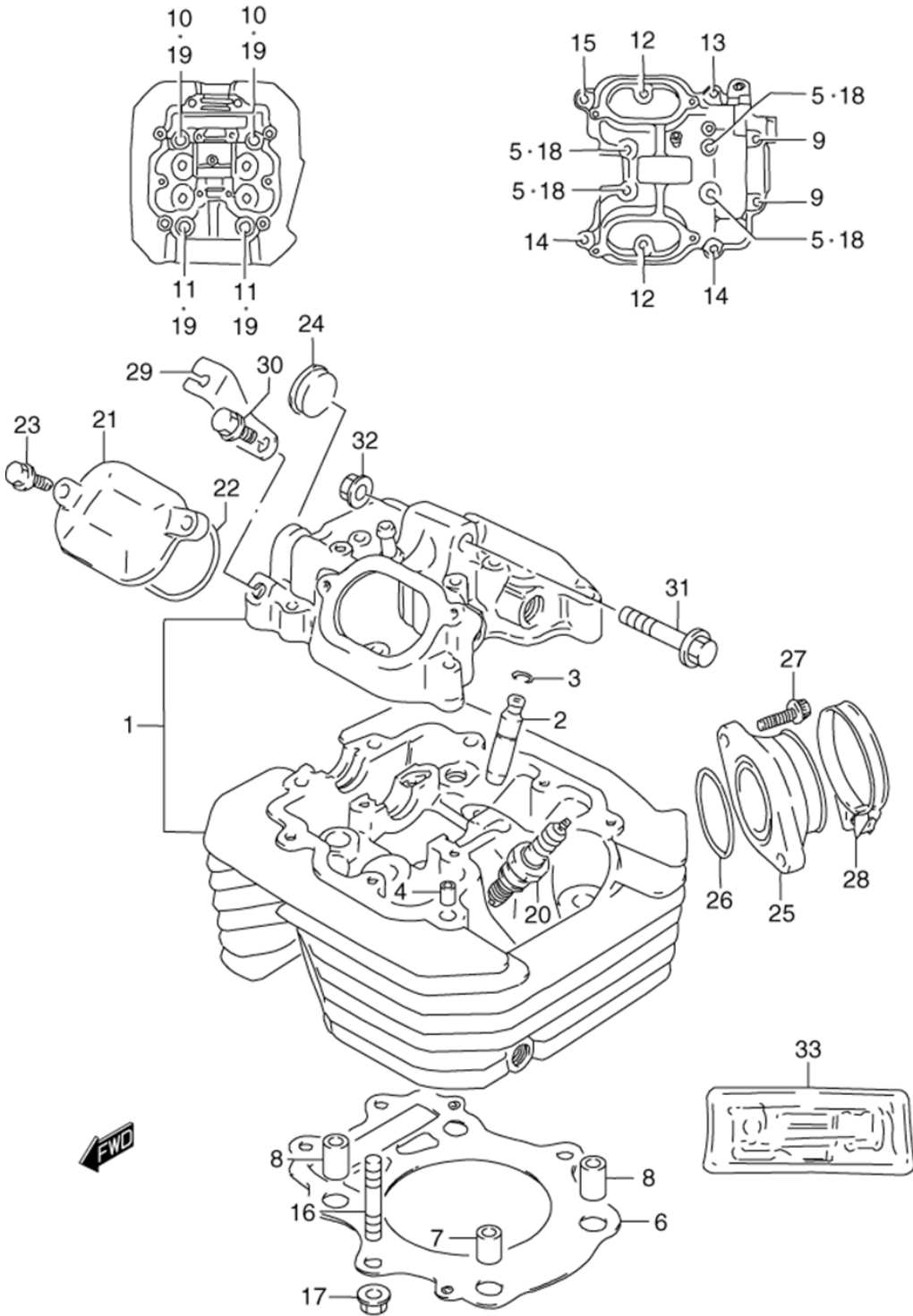


Table 1. CYLINDER HEAD

Reference Number	Quantity Required	Part Number	Description
1-1	1	11100-14D02	HEAD ASSY, CYLINDER
1-2	1	11100-14D20	HEAD ASSY, CYLINDER
1-3	1	11100-14D70	HEAD ASSY, CYLINDER
2-1	4	11115-14D71	GUIDE, VALVE (OS:0.3)
2-2	4	11115-14D71	GUIDE, VALVE (OS:0.3)
3	4	09381-10004	.SNAP RING
4	2	09206-08001	PIN
5	4	09103-06102	.BOLT (6X55)
6	1	11141-14D01	GASKET, CYLINDER HEAD
7-1	1	04211-13189	PIN
7-2	1	04211-13189	PIN
8	2	09206-13004	.PIN
9-1	2	09103-06052	BOLT (6X115)
9-2	2	09103-06167	BOLT (6X115)
10	2	09103-10178	BOLT (10X180)
11	2	09103-10223	BOLT
12-1	2	01550-06257	..BOLT
12-2	2	01550-0625A	BOLT
13-1	1	01550-06307	BOLT
13-2	1	01550-0630A	BOLT
14	2	09103-06108	BOLT (6X35)
15-1	1	09103-06026	.BOLT (6X39)
15-2	1	09103-06504	BOLT (6X39)
16	2	09108-08142	STUD BOLT (8X30)
17-1	2	08316-10087	..NUT
17-2	2	08316-1008B	NUT
18	4	09168-06023	WASHER, OIL GALLERY EXHAUST
19	4	09160-10039	WASHER (10.5X22X2.3)
20-1	1	09482-00330	SPARK PLUG, DPR9EA-9 (NGK)
20-2	1	09482-00331	SPARK PLUG, X27EPR-U9 (ND)
20-3	1	09482-00410	SPARK PLUG (NGK,CR9EK)
20-4	1	09482-00459	SPARK PLUG (ND,U27ESR-N)
20-5	1	09482-00334	SPARK PLUG (NGK, DPR8EA-9)
20-6	1	09482-00412	SPARK PLUG (NGK,CR8EK)
20-7	1	09482-00462	SPARK PLUG (NGK,CR10EK)
20-8	1	09482-00413	SPARK PLUG (DENSO,U24ETR)
20-9	1	09482-00463	SPARK PLUG (DENSO,U31ETR)
21-1	2	11175-47D00	CAP, INSPECTION
21-2	2	11175-47D00	CAP, INSPECTION
22-1	2	11177-14D01	O RING
22-2	2	11177-14D01	O RING
23-1	4	01550-06207	BOLT
23-2	4	01550-0620A	BOLT
24	1	09241-25007	PLUG, HEAD
25-1	1	13101-14D10	PIPE, INTAKE
25-2	1	13101-14D10	PIPE, INTAKE
25-3	1	13101-14D21	PIPE, INTAKE
26	1	09280-40010	.O RING, INTAKE PIPE
27-1	2	07120-0620B	BOLT
27-2	2	07120-0620B	BOLT
28	1	09402-52208	CLAMP, CARB
29	1	12944-14A00	HOLDER, DECOMP CABLE
30	1	01550-0816A	PLUG, T/M OIL DRAIN
31	1	09103-08280	BOLT (8X65)

FIG.1

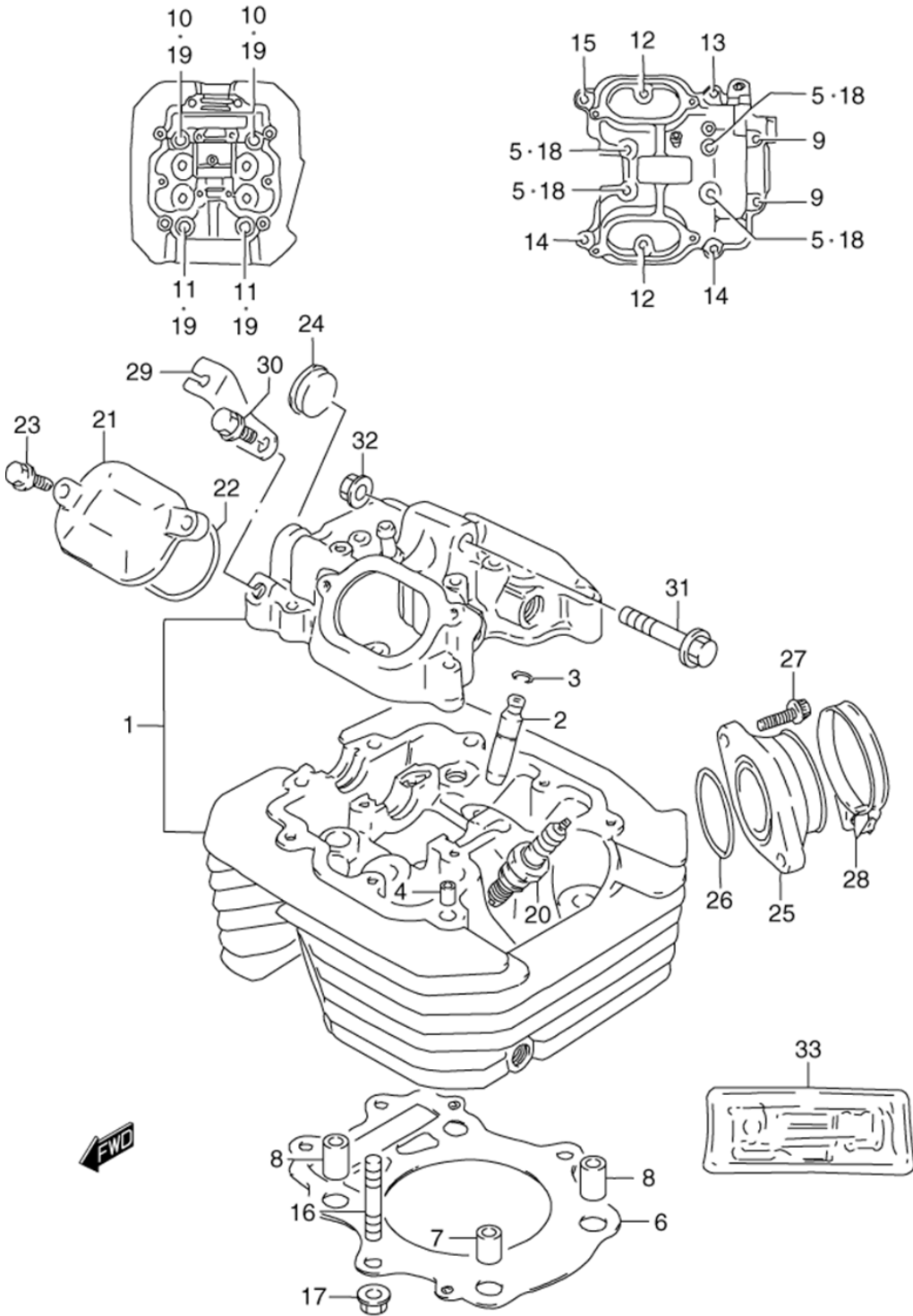


Table 1. CYLINDER HEAD (continued)

Reference Number	Quantity Required	Part Number	Description
32	1	08319-31087	NUT
33-1	1	11401-14860	GASKET SET
33-2	1	11401-14860	GASKET SET
33-3	1	11401-14860	GASKET SET
33-4	1	11401-14853	GASKET SET
33-5	1	11401-14853	GASKET SET

FIG.2

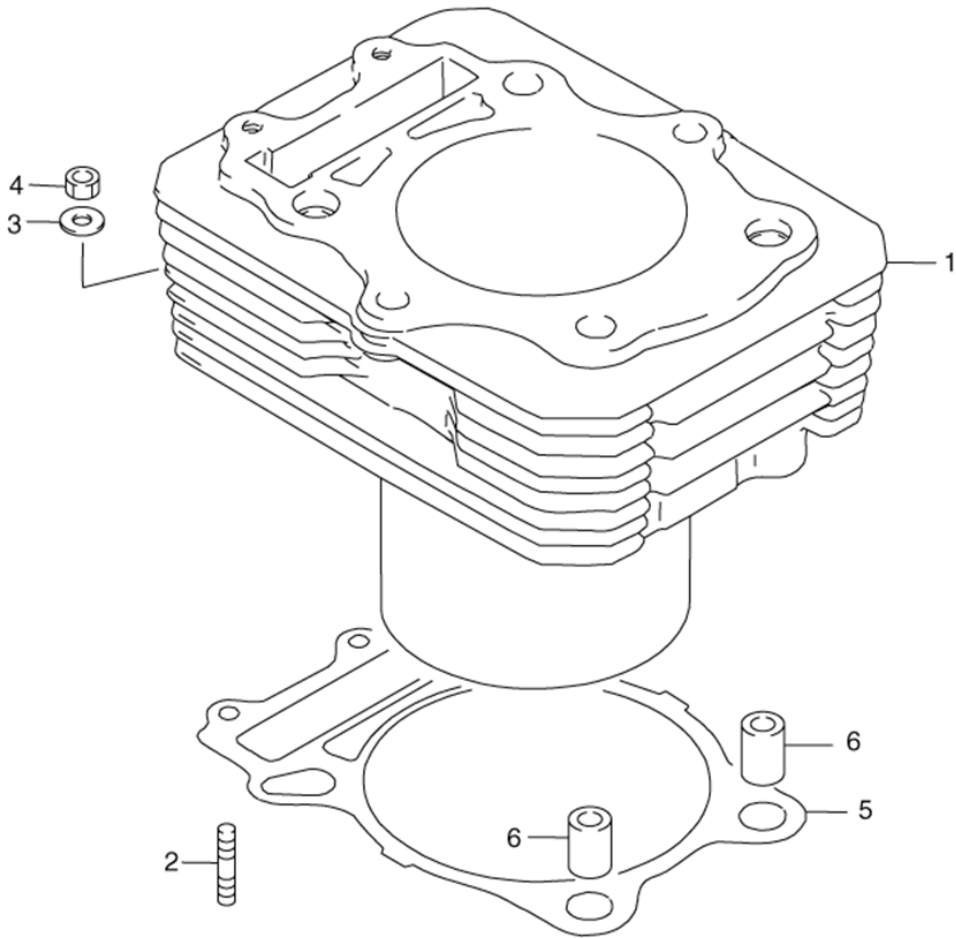


Table 2. CYLINDER

Reference Number	Quantity Required	Part Number	Description
1-1	1	11210-47D00-0F0	CYLINDER
1-2	1	11210-47D00-0F0	CYLINDER
1-3	1	11210-47D00-0F0	CYLINDER
1-4	1	11210-47D00-0F0	CYLINDER
2	2	01421-0620A	STUD BOLT
3-1	2	08322-0106A	WASHER
3-2	2	08322-0106A	WASHER
4-1	2	09140-06502	NUT
4-2	2	09140-06502	NUT
5	1	11241-14D01	GASKET, CYLINDER
6-1	2	04211-13189	PIN
6-2	2	04211-13189	PIN

FIG.3

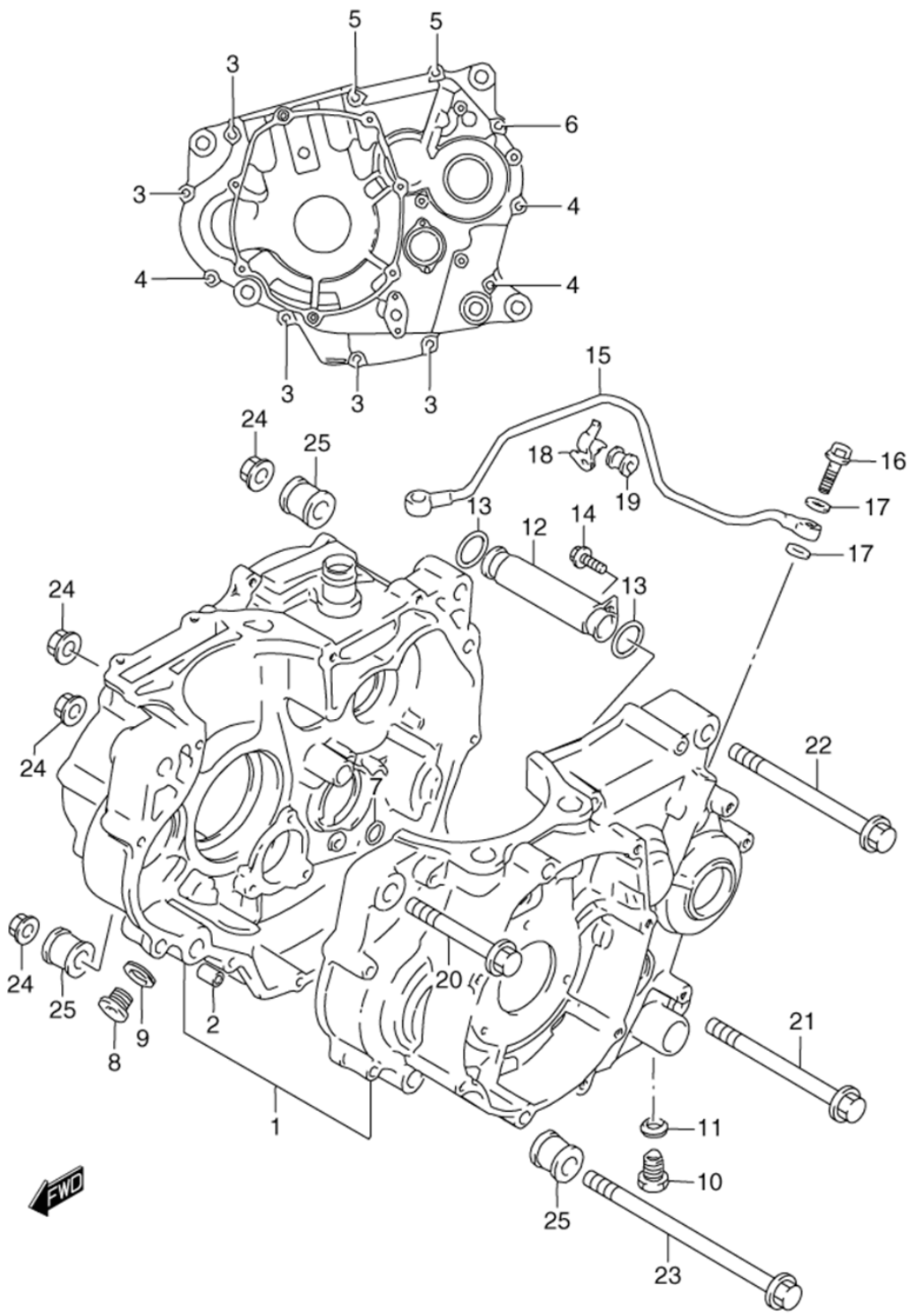


Table 3. CRANKCASE COVER (MODEL L M N P)

Reference Number	Quantity Required	Part Number	Description
1-1	1	11301-14883	CRANKCASE SET
1-2	1	11301-14883	CRANKCASE SET
2	2	04211-09149	DOWEL PIN
3	5	01547-06457	BOLT
4	3	01547-06507	BOLT
5	2	01547-06607	BOLT
6	1	01547-06707	BOLT, HEAD COVER CAP NO.1
7	1	09280-12009	O RING, CRANKCASE
8	1	09248-14005	PLUG, OIL GALLERY
9	1	09168-14004	.GASKET (14.1X18X1.5)
10	1	01500-1220B	BOLT
11	1	09168-12002	GASKET, OIL LEVEL PLUG
12	1	11450-14D01	PIPE, MISSION OIL INNER
13	2	09280-16005	O RING (D:2.4,ID:15.8)
14	1	01550-06127	BOLT
15	1	11280-14D02	PIPE, MISSION OIL OUTER
16	2	09360-08011	UNION BOLT, OIL PIPE
17	4	09168-08016	GASKET (8.2X14X1.0)
18	1	11290-14D00	CLAMP, OIL PIPE
19	1	09320-06019	CUSHION
20	1	09103-10230	BOLT (10X85)
21	1	09103-10242	BOLT (10X100)
22	1	09103-10063	BOLT, MUFFLER BRACKET & CVT
23	1	09103-10241	BOLT (10X143)
24	4	09159-10115	NUT
25-1	3	11611-14D00	SPACER (L:19.85)
25-2	3	11611-14D00	SPACER (L:19.85)

FIG.3A

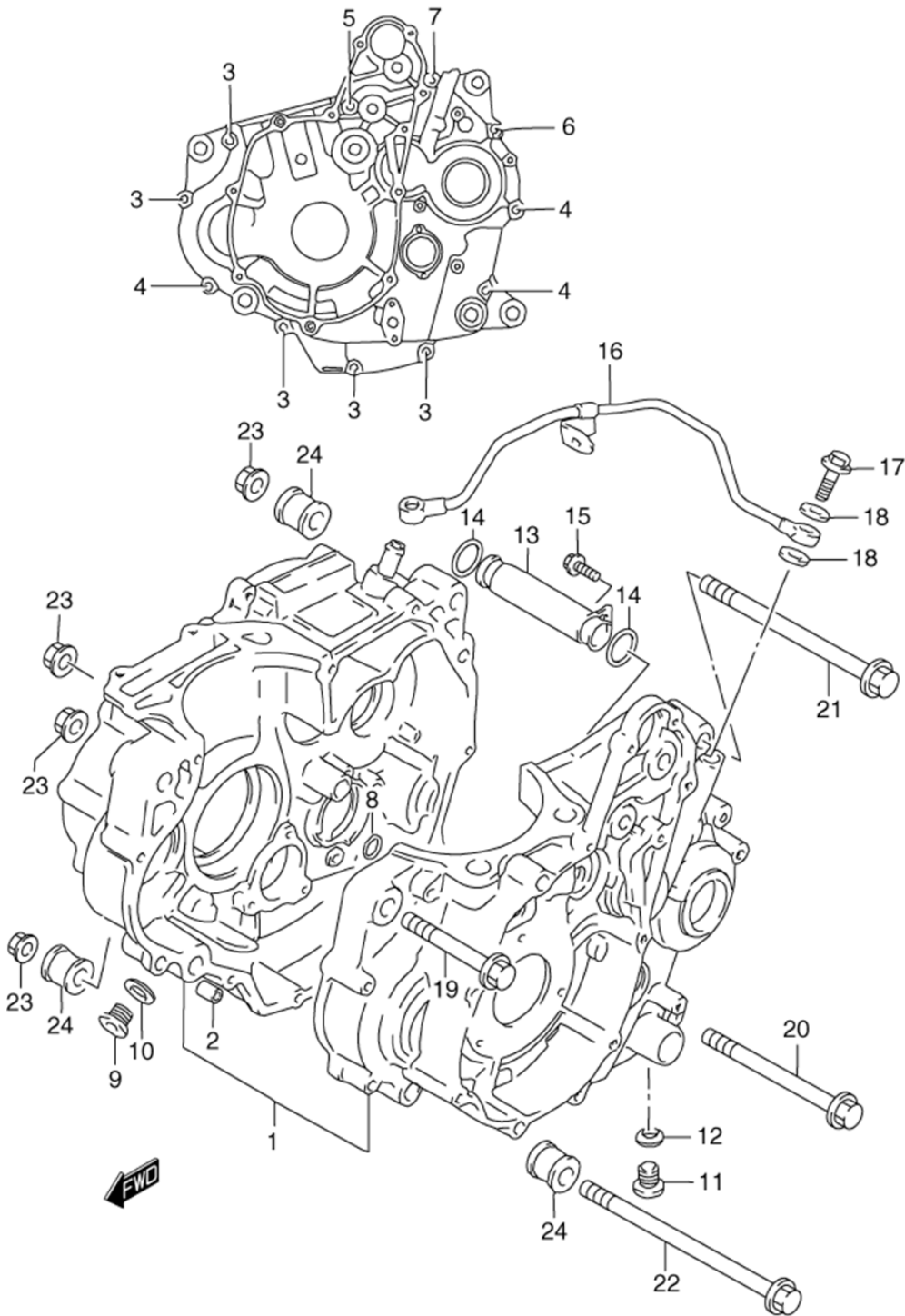


Table 3A. CRANKCASE COVER (MODEL R S T)

Reference Number	Quantity Required	Part Number	Description
1-1	1	11301-15814	CRANKCASE SET
1-2	1	11301-15814	CRANKCASE SET
2	2	04211-09149	DOWEL PIN
3	5	01547-0645B	BOLT
4	3	01547-0650B	BOLT
5	1	01547-0665B	BOLT
6	1	01547-06707	BOLT, HEAD COVER CAP NO.1
7	1	01547-0690B	BOLT
8-1	1	09280-12009	O RING, CRANKCASE
8-2	1	09280-12009	O RING, CRANKCASE
9	1	09248-14005	PLUG, OIL GALLERY
10	1	09168-14004	.GASKET (14.1X18X1.5)
11	1	01500-1220B	BOLT
12	1	09168-12002	GASKET, OIL LEVEL PLUG
13	1	11450-14D01	PIPE, MISSION OIL INNER
14	2	09280-15007	O RING (D:2.4 ID:15.8)
15	1	01550-0612A	BOLT
16	1	11280-15D10	PIPE, MISSION OIL OUTER
17	2	09360-08011	UNION BOLT, OIL PIPE
18	4	09168-08016	GASKET (8.2X14X1.0)
19	1	09103-10230	BOLT (10X85)
20	1	09103-10242	BOLT (10X100)
21	1	09103-10063	BOLT, MUFFLER BRACKET & CVT
22	1	09103-10241	BOLT (10X143)
23	4	09159-10115	NUT
24	3	11611-14D00	SPACER (L:19.85)

FIG.4

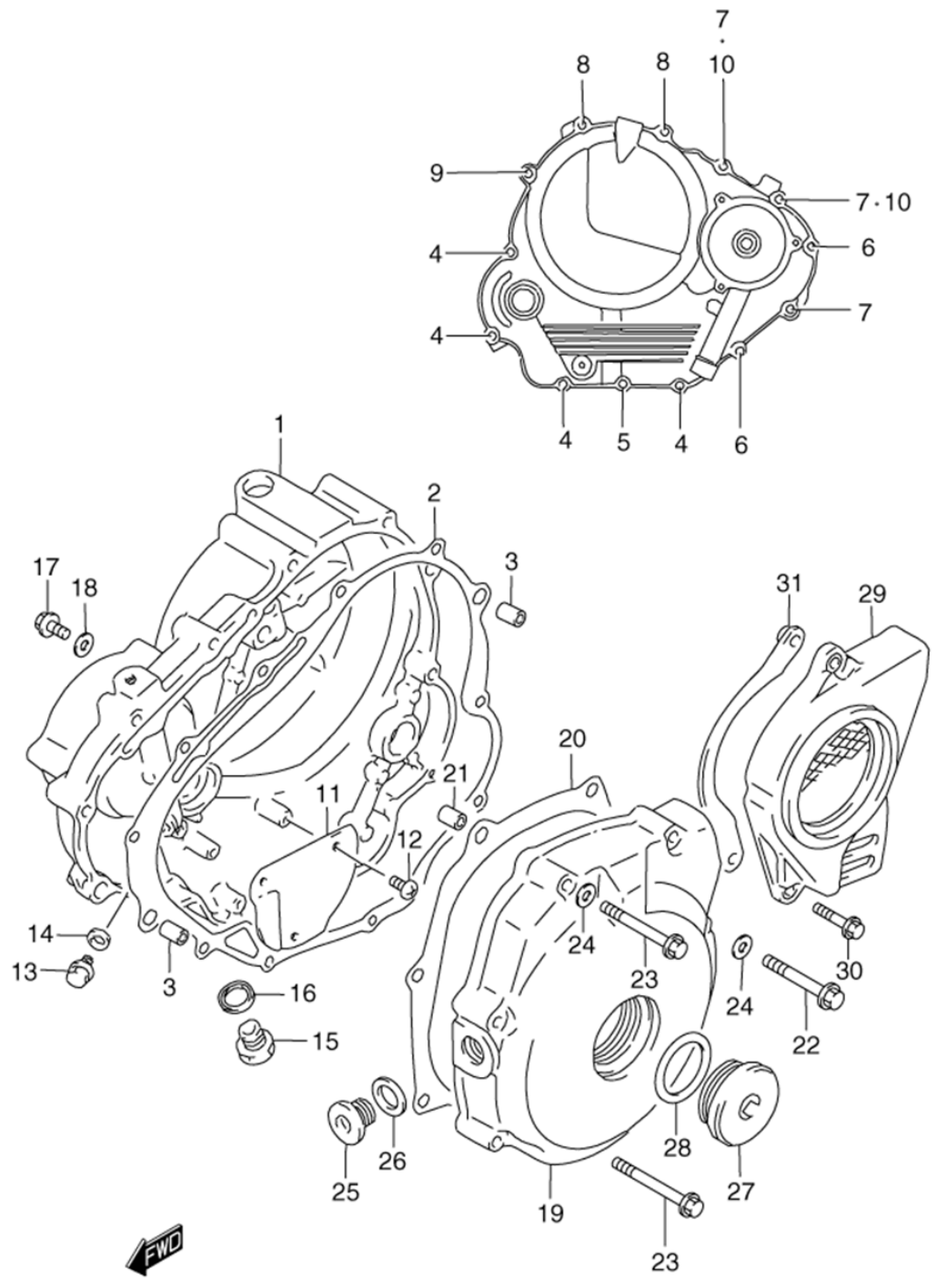


Table 4. CRANKCASE (MODEL L M N P)

Reference Number	Quantity Required	Part Number	Description
1-1	1	11340-47810	COVER, CLUTCH
1-2	1	11340-47810	COVER, CLUTCH
1-3	1	11340-47810	COVER, CLUTCH
2-1	1	11482-14D03	GASKET, CLUTCH COVER
2-2	1	11482-14D03	GASKET, CLUTCH COVER
3	2	04211-09149	DOWEL PIN
4	4	01547-06257	BOLT
5	1	01547-06307	BOLT
6	2	01547-06357	BOLT
7	3	01547-06407	BOLT
8	2	01547-06607	BOLT
9	1	01547-06657	.BOLT
10	4	09168-06023	WASHER, OIL GALLERY EXHAUST
12	3	09125-05042	.SCREW (5X10)
13	1	09103-06078	BOLT, STARTING MOTOR
14	1	09168-06004	GASKET (6.2X11X1.2)
15-1	1	09248-14005	PLUG, OIL GALLERY
15-2	1	09248-10007	.PLUG, PARKING PAWL
16-1	1	09168-14004	.GASKET (14.1X18X1.5)
16-2	1	09168-10002	GASKET, OIL GALLERY PLUG
17	1	09128-06058	BOLT (6X10)
18	1	09168-06023	WASHER, OIL GALLERY EXHAUST
19-2	1	11351-14D10	COVER, MAGNETO
20-1	1	11483-14D03	GASKET, MAGNETO COVER
20-2	1	11483-14D03	GASKET, MAGNETO COVER
21	2	04211-09149	DOWEL PIN
22-1	5	01547-06357	BOLT (MODEL L/M/NMODEL P)
23-1	2	01547-06457	BOLT (MODEL L/M/NMODEL P)
24	2	09168-06023	WASHER, OIL GALLERY EXHAUST
25	1	09248-14005	PLUG, OIL GALLERY
26	1	09168-14004	.GASKET (14.1X18X1.5)
27	1	09259-36016-20H	PLUG, CRANKSHAFT HOLE
28	1	09280-33004	O RING (ID:32.7,DD:3.1)
29	1	11360-14D01	COVER, ENGINE SPROCKET
30	2	01547-06257	BOLT
31	1	27640-14D01	PLATE, FRONT CHAIN GUIDE

FIG.4A

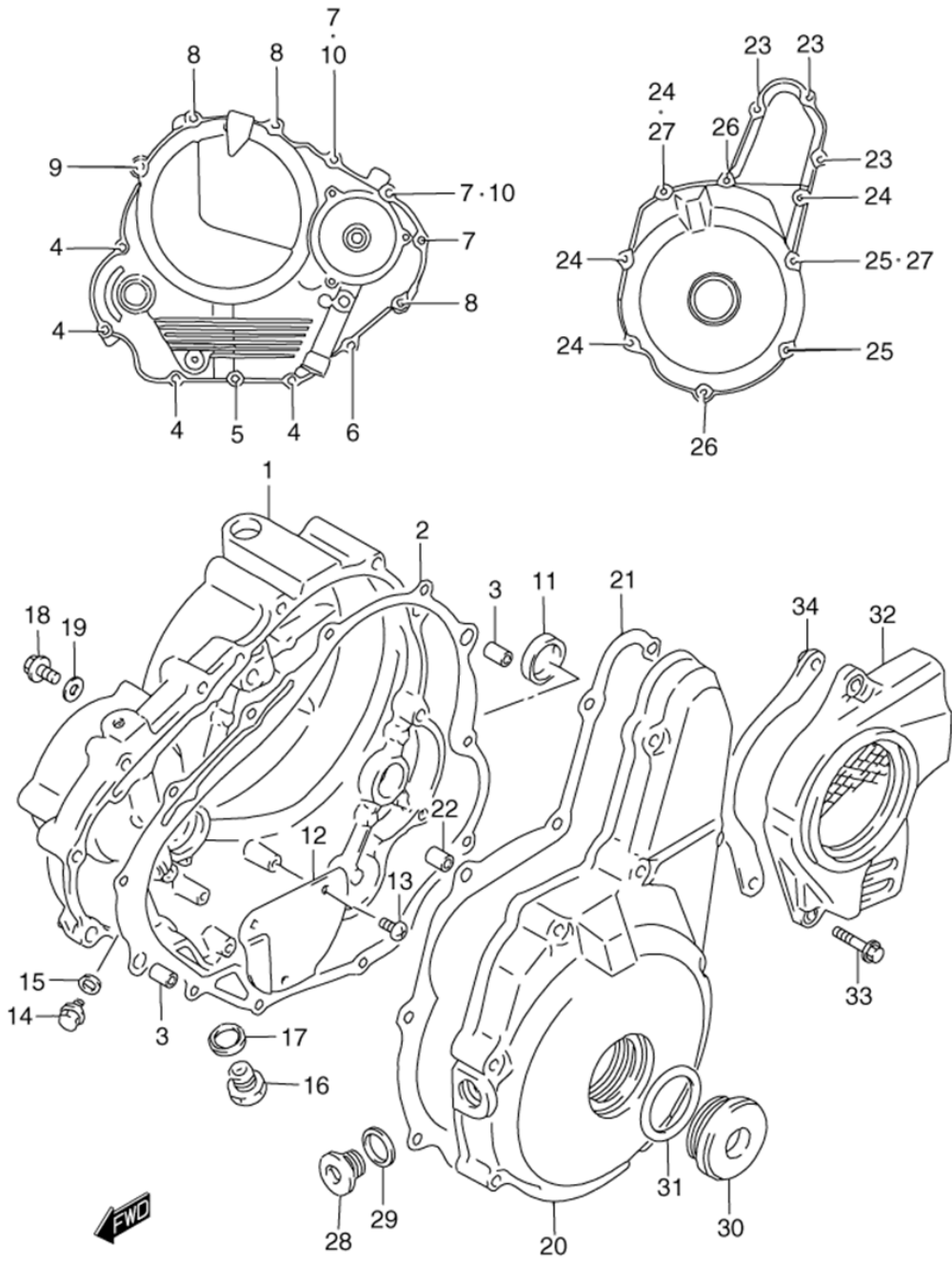


Table 4A. CRANKCASE (MODEL R S T)

Reference Number	Quantity Required	Part Number	Description
1	1	11340-47810	COVER, CLUTCH
2-1	1	11482-14D03	GASKET, CLUTCH COVER
2-2	1	11482-14D03	GASKET, CLUTCH COVER
3	2	04211-09149	DOWEL PIN
4	4	01547-0625B	BOLT
5	1	01547-0630B	BOLT
6	2	01547-06353	BOLT, WATER PUMP
7	3	01547-0640B	BOLT
8	2	01547-0660B	BOLT
9	1	01547-0665B	BOLT
10	4	09168-06024	.GASKET
11	1	11342-15D00	PLUG, CLUTCH COVER KICK
13	3	02142-0510B	SCREW
14	1	09103-06078	BOLT, STARTING MOTOR
15	1	09168-06004	GASKET (6.2X11X1.2)
16	1	09248-10007	.PLUG, PARKING PAWL
17	1	09168-10002	GASKET, OIL GALLERY PLUG
18	1	09128-06058	BOLT (6X10)
19	1	09168-06024	.GASKET
20	1	11351-15D02	COVER, MAGNETO
21-1	1	11483-15D02	GASKET, MAGNETO COVER
21-2	1	11483-15D02	GASKET, MAGNETO COVER
22	2	04211-09149	DOWEL PIN
23	3	01547-0625B	BOLT
24	5	01547-0640B	BOLT
25	2	01547-0645B	BOLT
26	1	01547-0650B	BOLT
27	2	09168-06024	.GASKET
28	1	09248-14005	PLUG, OIL GALLERY
29	1	09168-14004	.GASKET (14.1X18X1.5)
30	1	09259-36016-20H	PLUG, CRANKSHAFT HOLE
31	1	09280-33004	O RING (ID:32.7,DD:3.1)
32	1	11360-14D01	COVER, ENGINE SPROCKET
33	2	01547-0625B	BOLT
34	1	27640-14D10	PLATE, FRONT CHAIN GUIDE

FIG.5

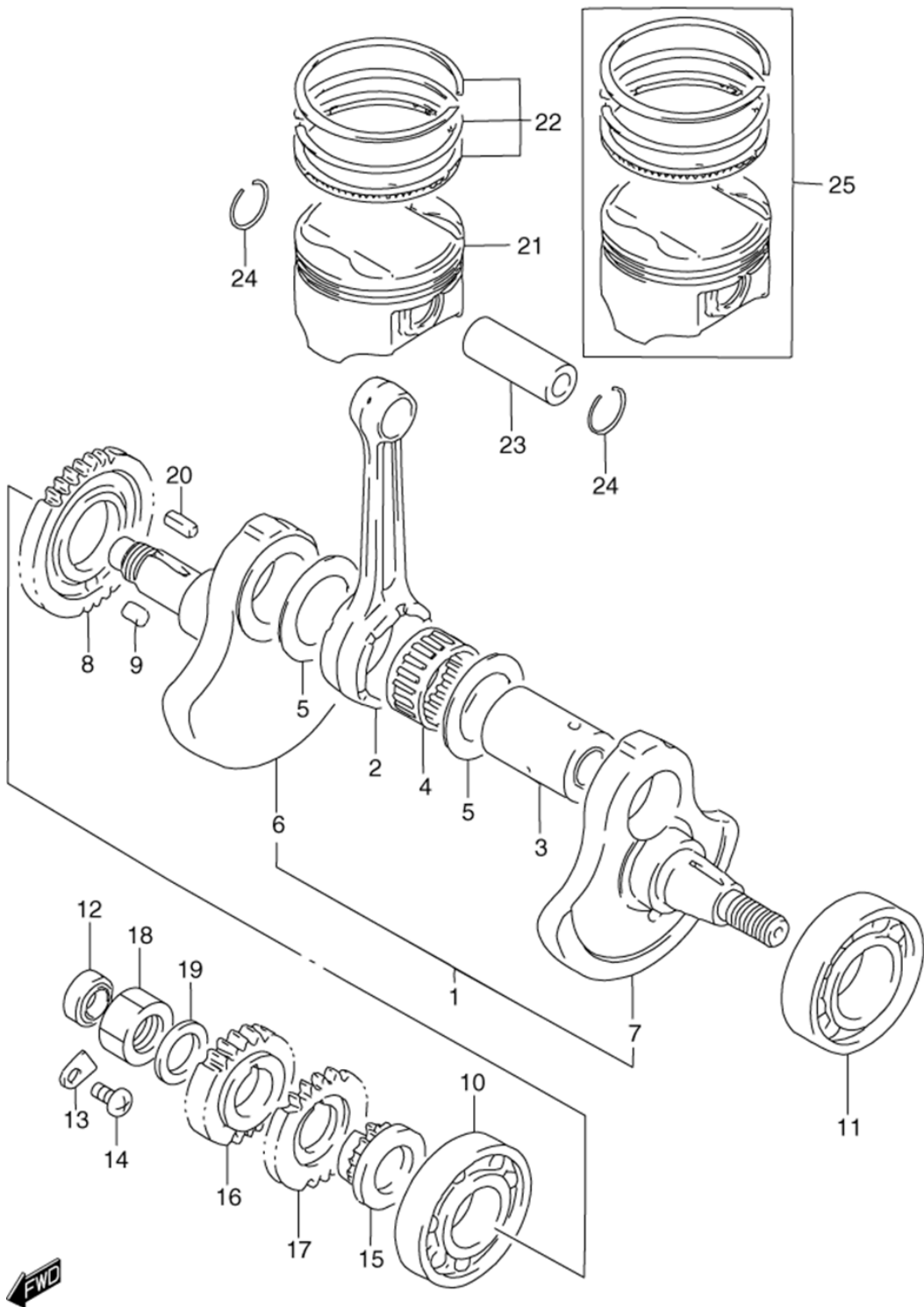


Table 5. CRANKSHAFT

Reference Number	Quantity Required	Part Number	Description
1-1	1	12200-14D00	CRANKSHAFT ASSY
1-2	1	12200-14E00	CRANKSHAFT ASSY
2	1	12161-14D00	.ROD, CONNECTING
3	1	12210-14D03	.PIN, CRANK
4	1	09263-34005	.BEARING (34X43X22)
5	2	09160-34003	.WASHER (34X52X1)
6-1	1	12221-14D01	.CRANKSHAFT, RH
6-2	1	12221-14D01	.CRANKSHAFT, RH
8	1	12661-14D00	GEAR, BALANCER DRIVE (NT:37)
9	1	04221-08149	PIN
10	1	09262-30077	BEARING (30X72X19)
11	1	09262-35038	BEARING (35X72X17)
12	1	09282-14003	OIL SEAL, RH (14X24X6)
13	1	24742-18A00	RETAINER, OIL SEAL RH
14	1	02112-0612A	SCREW
15	1	12731-14D00	SPROCKET, CAM CHAIN DRIVE
16-1	1	21111-14D01	GEAR, PRIMARY DR
16-2	1	21111-15D21	GEAR, PRIMARY DRIVE (NT:20)
17	1	16321-15D01	GEAR, OIL PUMP D
18	1	09140-18012	NUT
19-1	1	09164-18001	WASHER
19-2	1	09164-18001	WASHER
20	1	09421-05009	KEY
21-1	1	12111-14D03-0F0	PISTON
21-2	1	12111-14D03-0F0	PISTON
21-3	1	12111-14D03-0F0	PISTON
22	1	12140-14D10	RING SET, PISTON
23	1	12151-24A00	PIN, PISTON
24	2	09381-20004	CIRCLIP
25-1	1	12100-14D01-050	PISTON SET (OS:0.5)
25-3	1	12100-14D01-050	PISTON SET (OS:0.5)

FIG.6

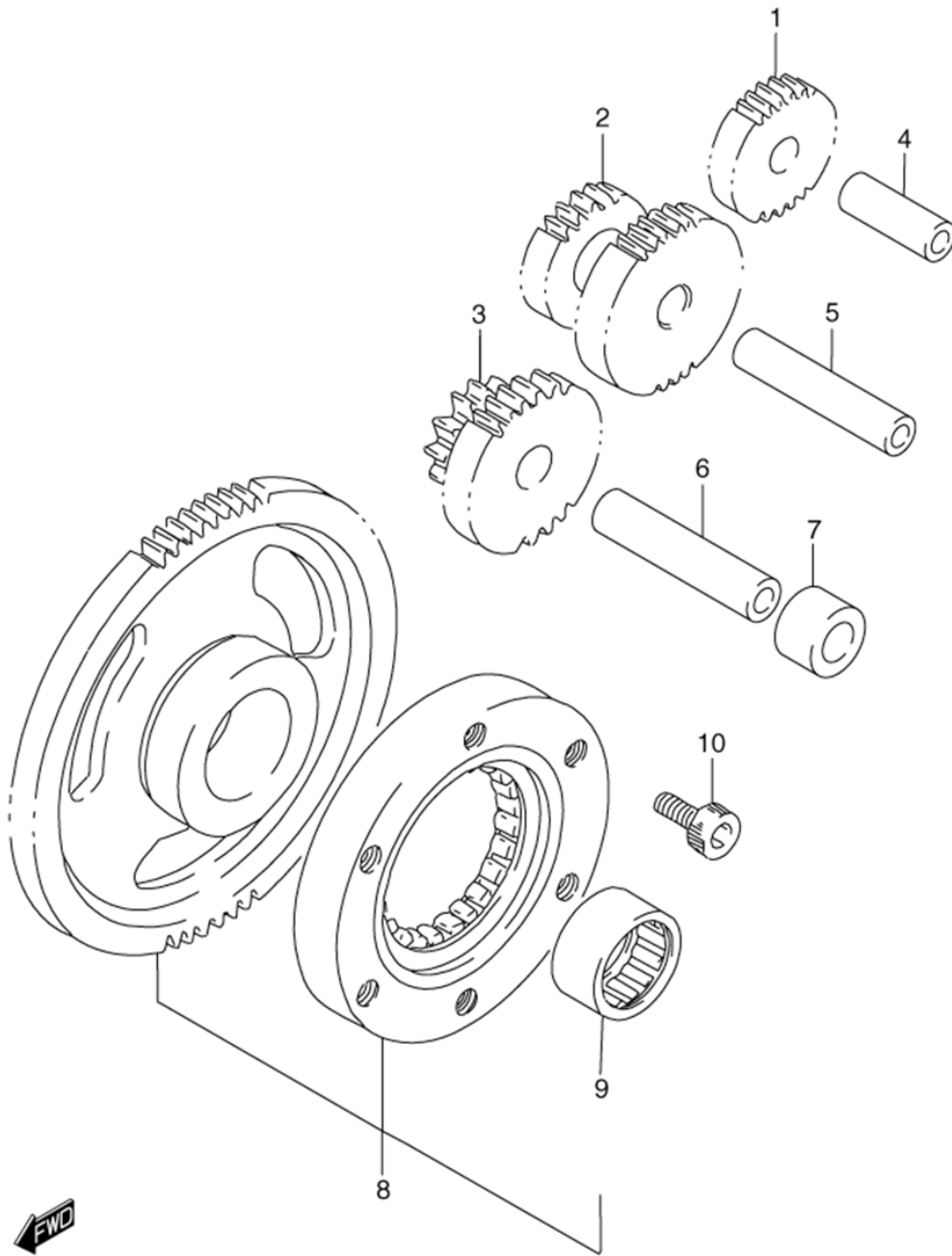


Table 6. STARTER CLUTCH (MODEL R S T)

Reference Number	Quantity Required	Part Number	Description
2	1	12612-15D00	GEAR, STARTER IDLE NO.2
3	1	12613-15D00	GEAR, STARTER IDLE NO.3
4	1	09206-10012	PIN (10x32)
5	1	09206-10011	PIN (10x55.5)
6	1	09206-12003	PIN (12x55.5)
7	1	09180-12139	SPACER
8	1	12600-47821	CLUTCH SET,STAR
9	1	09263-29008	.BEARING (29X36X18)
10	6	07130-0816A	BOLT

FIG.6A

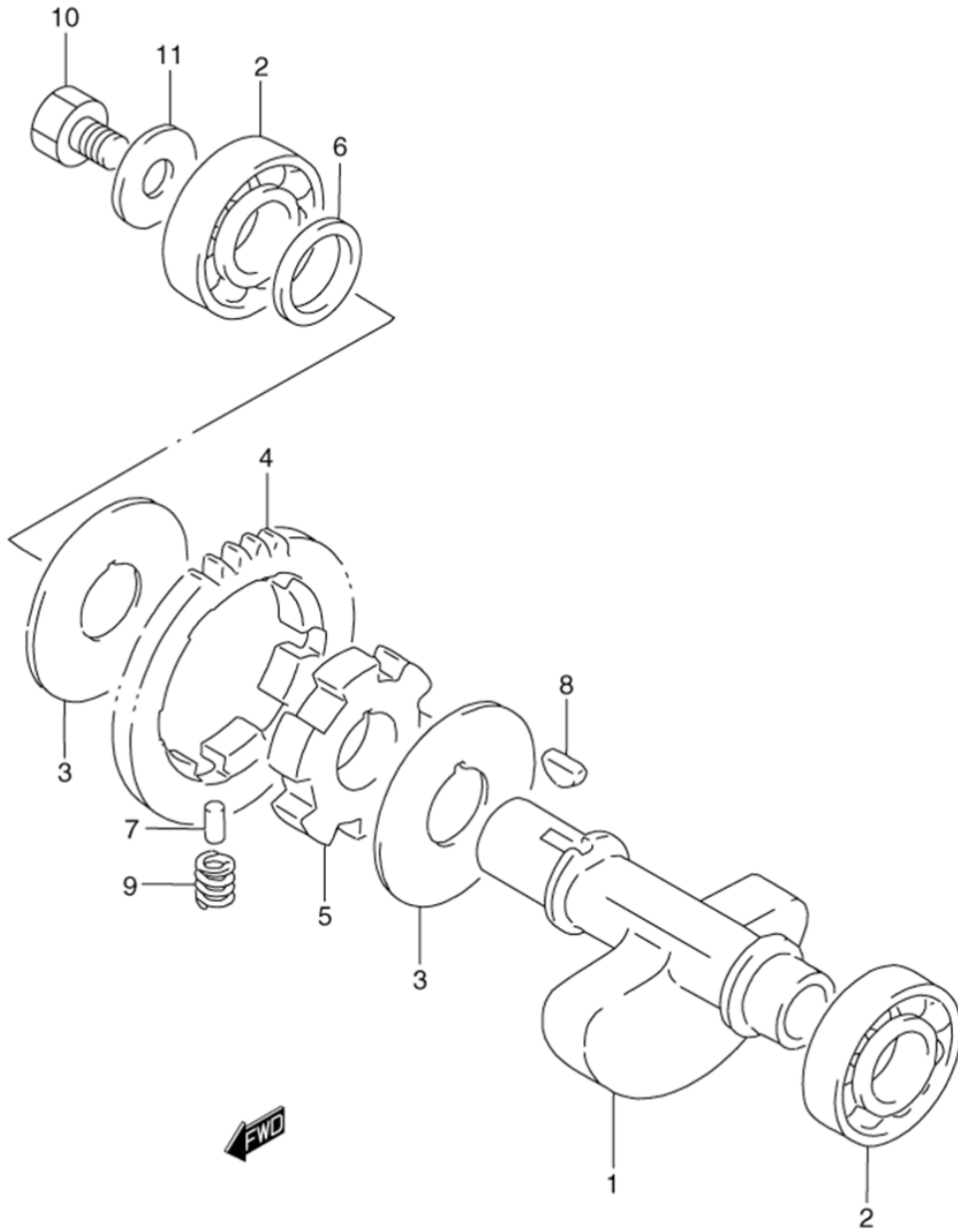


Table 6A. CRANK BALANCER

Reference Number	Quantity Required	Part Number	Description
1-1	1	12651-14D01	SHAFT, CRANK BALANCER
1-2	1	12651-14D01	SHAFT, CRANK BALANCER
2	2	09262-20121	BEARING (ID:20,OD:47)
3	2	09166-20012	WASHER, DRIVEN GEAR
4-1	1	12666-14D02	GEAR, DRIVEN (NT:37)
4-2	1	12666-14D02	GEAR, DRIVEN (NT:37)
5	1	12669-24B01	RACE, INNER
6	1	09181-20158	WASHER
7-1	3	09202-04017	PIN (D:4.5,L:9.5)
7-2	3	09202-04017	PIN (D:4.5,L:9.5)
8-1	1	09420-04008	KEY
8-2	1	09420-04008	KEY
9	6	09440-09031	SPRING
10-1	1	01500-10167	BOLT
10-2	1	01500-10163	BOLT
11-2	1	08211-10283	WASHER

FIG.7

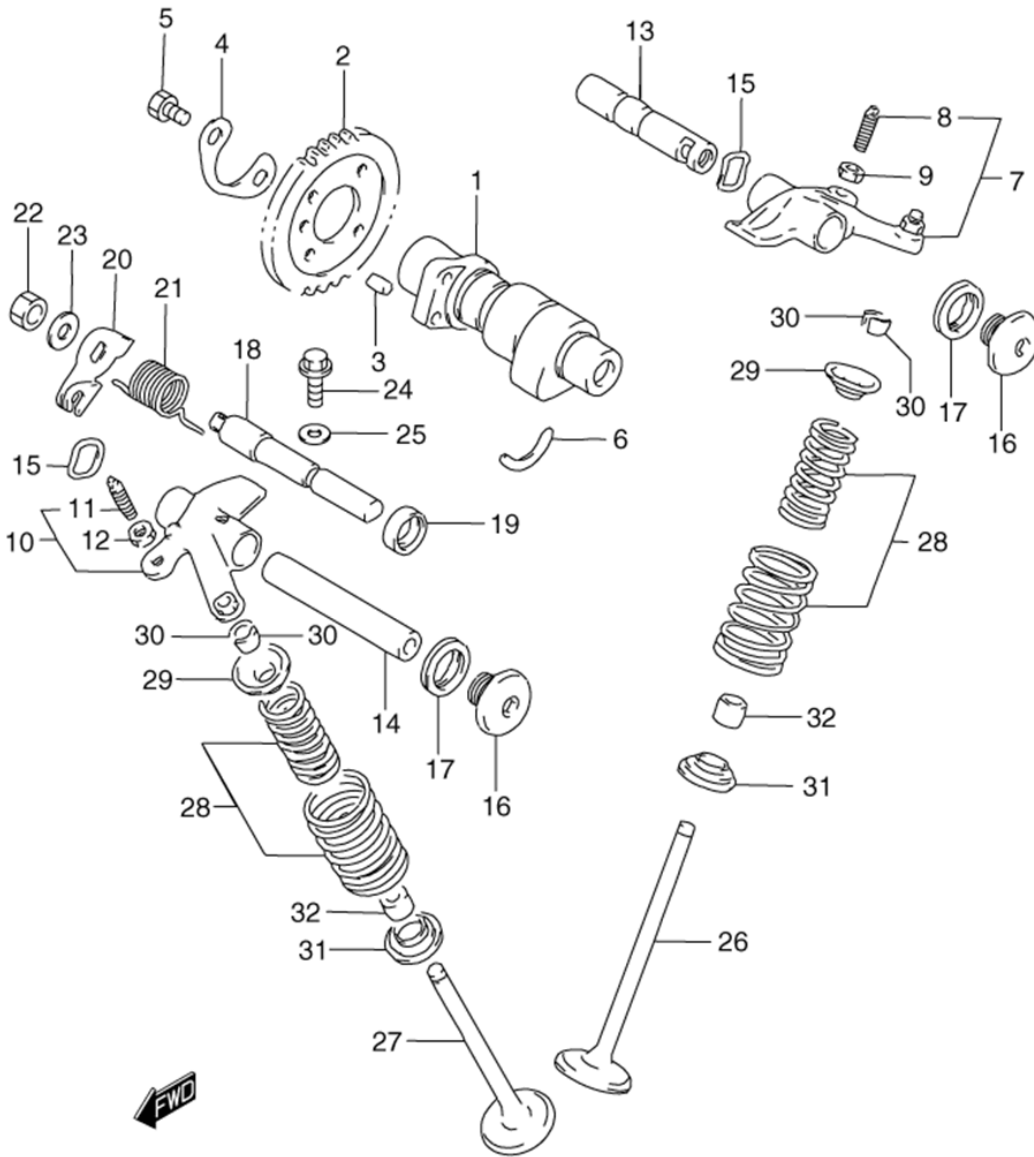


Table 7. CAM SHAFT VALVE (MODEL L M N P)

Reference Number	Quantity Required	Part Number	Description
1	1	12711-14D01	CAM SHAFT
2	1	12741-26B00	SPROCKET (NT:34)
3	1	09261-05005	PIN
4-1	1	12747-26B01	WASHER
4-2	1	12747-26B01	WASHER
5	2	09111-06032	BOLT
6	1	09390-22002	C RING
7	1	12840-14D00	ARM, VALVE ROCKER INTAKE
8	2	12842-17C50	.SCREW
9	2	12843-27A00	.NUT, TAPPET ADJUSTING
10	1	12850-14D00	ARM, VALVE ROCKER EXHAUST
11	2	12842-17C50	.SCREW
12	2	12843-27A00	.NUT, TAPPET ADJUSTING
13	1	12861-14D00	SHAFT, ROCKER ARM IN
14	1	12871-14D00	SHAFT, ROCKER ARM EX
15	2	09164-12018	WASHER
16	2	09248-14005	PLUG, OIL GALLERY
17	2	09168-14004	.GASKET (14.1X18X1.5)
18	1	12941-14D02	SHAFT, DECOMPRESSION
19	1	09282-10014	OIL SEAL (10X17X6)
20	1	12942-14D01	LEVER, SHAFT
21	1	09448-18028-XC0	SPRING
22	1	09140-08021	NUT, ADJUSTER
23	1	08322-0108A	WASHER, SEAT DAMPER UPPER
24	1	01550-0616A	BOLT
25	1	09168-06026	GASKET, DRAIN BOLT
26	2	12911-14D10	VALVE, INTAKE
27	2	12912-14D01	VALVE, EXHAUST
28	4	12920-06B00	SPRING SET, VALVE, IN
29	4	12931-27A01	RETAINER, SPRING
30	8	12932-27A00	COTTER, VALVE
31-1	4	12933-81400	SEAT, VALVE
31-2	4	12933-81400	SEAT, VALVE
32	4	09289-05011	OIL SEAL (4.5X10X8)

FIG.7A

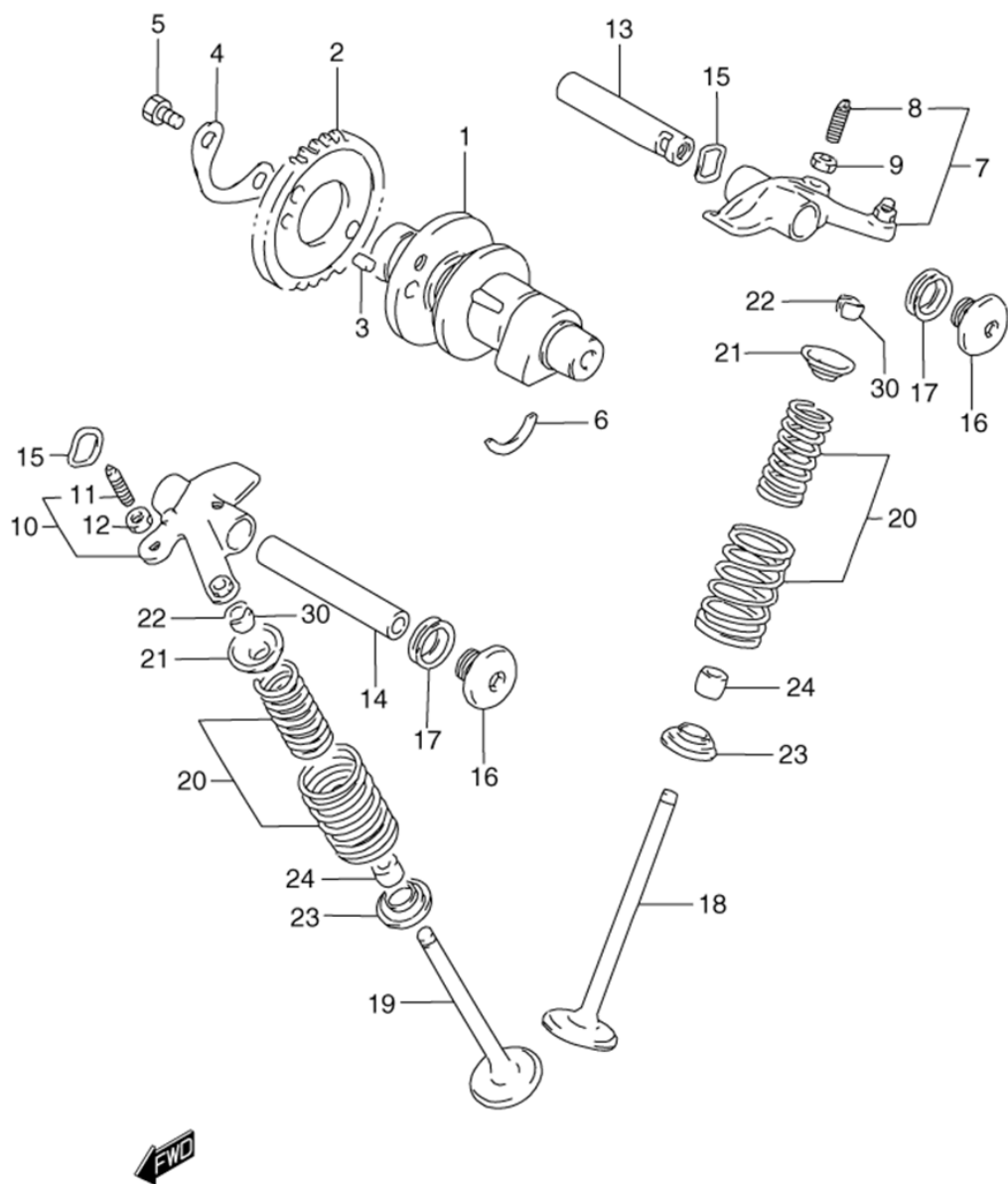


Table 7A. CAM SHAFT VALVE (MODEL R S T)

Reference Number	Quantity Required	Part Number	Description
1	1	12710-14D70	SHAFT COMP,CAM
2	1	12741-14D50	SPROCKET, CAM SHAFT
3	1	09261-05005	PIN
4	1	12747-44B00	WASHER
5	2	09111-06032	BOLT
6	1	09390-22002	C RING
7	1	12840-15G00	ARM, VALVE ROCKER, IN
8	2	12842-17C50	.SCREW
9	2	12843-27A00	.NUT, TAPPET ADJUSTING
10	1	12850-14D50	ARM, VALVE ROCKER, EX
11	2	12842-17C50	.SCREW
12	2	12843-27A00	.NUT, TAPPET ADJUSTING
13	1	12861-14D50	SHAFT, ROCKER ARM IN
14	1	12871-14D50	SHAFT, ROCKER ARM EX
15	2	09164-12018	WASHER
16	2	09248-14005	PLUG, OIL GALLERY
17	2	09168-14004	.GASKET (14.1X18X1.5)
18	2	12911-14D10	VALVE, INTAKE
19	2	12912-14D01	VALVE, EXHAUST
20	4	12920-06B00	SPRING SET, VALVE, IN
21	4	12931-27A01	RETAINER, SPRING
22	8	12932-27A00	COTTER, VALVE
23	4	12933-81400	SEAT, VALVE
24	4	09289-05011	OIL SEAL (4.5X10X8)

FIG.8

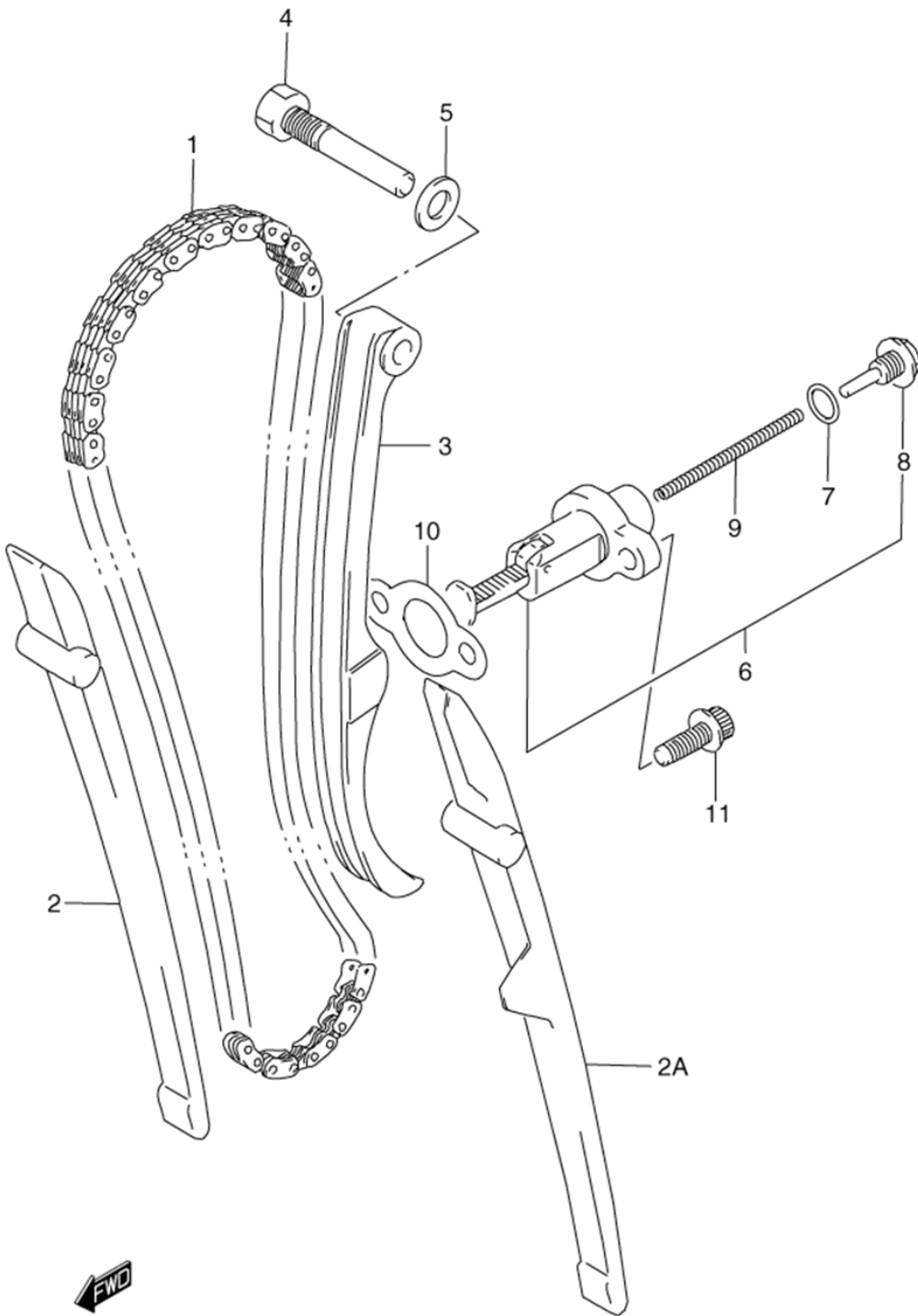


Table 8. CAM CHAIN

Reference Number	Quantity Required	Part Number	Description
1-1	1	12760-19B71	CHAIN, CAM (108LE)
1-2	1	12760-19B71	CHAIN, CAM (108LE)
2	1	12771-14D00	GUIDE, CAM CHAIN
2A	1	12771-14D10	GUIDE, CAM CHAIN
3-1	1	12811-14D00	TENSIONER, CAM CHAIN
3-2	1	12811-14D10	TENSIONER, CAM CHAIN
4	1	12812-32410	BOLT, CAM CHAIN TENSIONER
5	1	09168-08016	GASKET (8.2X14X1.0)
6-1	1	12830-29B11	ADJUSTER ASSY, TENSIONER
6-2	1	12830-29B11	ADJUSTER ASSY, TENSIONER
7	1	12832-02A00	.O RING
8	1	12834-26B00	.PLUG
9	1	12833-29B00	.SPRING
10-1	1	12837-19B10	GASKET
10-2	1	12837-19B10	GASKET
11-1	2	07120-0620B	BOLT
11-2	2	07120-0620B	BOLT

FIG.9

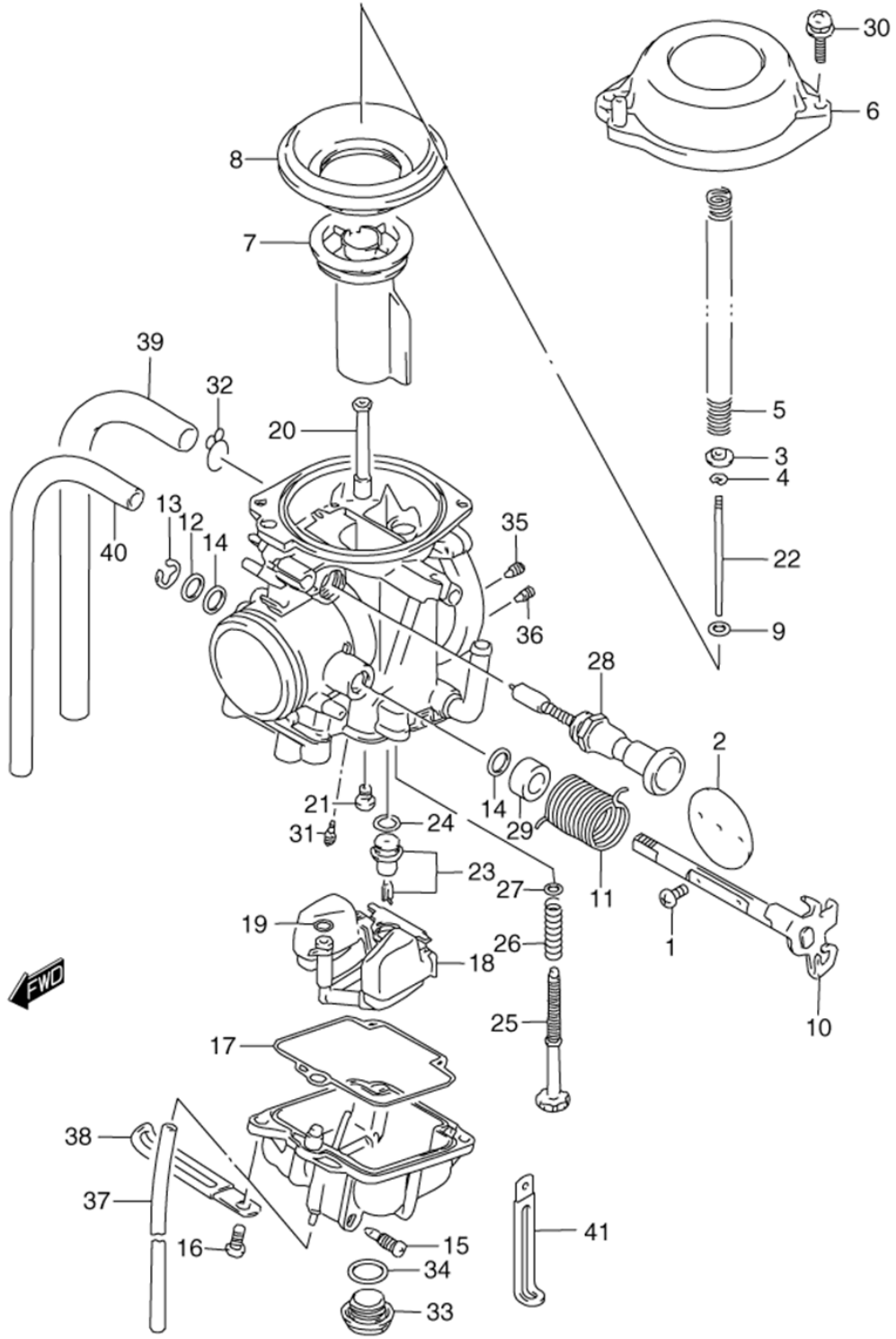


Table 9. CARBURETOR (MODEL L M)

Reference Number	Quantity Required	Part Number	Description
	1	13200-14D20	CARBURETOR ASSY
1	2	13604-44080	.SCREW
3	1	13382-42A00	.RING
4	1	13394-01D00	.E RING
5	1	13417-44B00	.SPRING
6	1	13502-01D00	.COVER, DIAPHRAGM
7	1	13551-44B10	.VALVE, PISTON
8	1	13507-44B00	.DIAPHRAGM
9	1	13387-47010	.RING
10	1	13550-14D10	.SHAFT ASSY
12	1	13557-47070	.WASHER
13	1	13617-44080	.E RING
14	2	13556-44B00	.SEAL
15	1	13247-02340	.SCREW, DRAIN
16	2	02112-05127	SCREW
17	1	13258-44B00	.GASKET, FLOAT CHAMBER
18-1	1	13240-14D10	.FLOAT ASSY (MODEL LMODEL M ~E.NO.112454)
18-2	1	13240-14D20	.FLOAT ASSY
19	1	13374-46710	.O RING
20	1	09494-00883	.JET, NEEDLE (0-6M)
21	1	09491-27009	.JET, MAIN (135)
22	1	13383-14D20	.NEEDLE, JET (5CD56-3)
23	1	13370-02D00	.VALVE ASSY, NEEDLE
24	1	13374-35C00	.O RING
25	1	13267-14D10	.ADJUSTER
26	1	13375-14D10	SPRING
27	1	13427-38300	.WASHER
28	1	13411-14D20	.PLUNGER ASSY
29	1	13574-28A00	.RING
30	2	02112-7516A	SCREW
31	1	09492-35010	.JET, PILOT (37.5)
32	1	09401-10410	CLIP
33	1	13247-32210	.CAP, DRAIN
34	1	13249-41310	.O RING
35	1	09493-26004	.JET, AIR (1.3)
36	1	09493-60004	.JET, MAIN AIR (0.6)
37	1	09352-30503-600	.HOSE
38	1	09404-06434	CLAMP (L:95)
39	1	09352-70113-600	HOSE (SILENCER TO IAC)
40	1	09352-50823-600	HOSE
41	1	09404-06432	.CLAMP, SW LEADS

FIG.9A

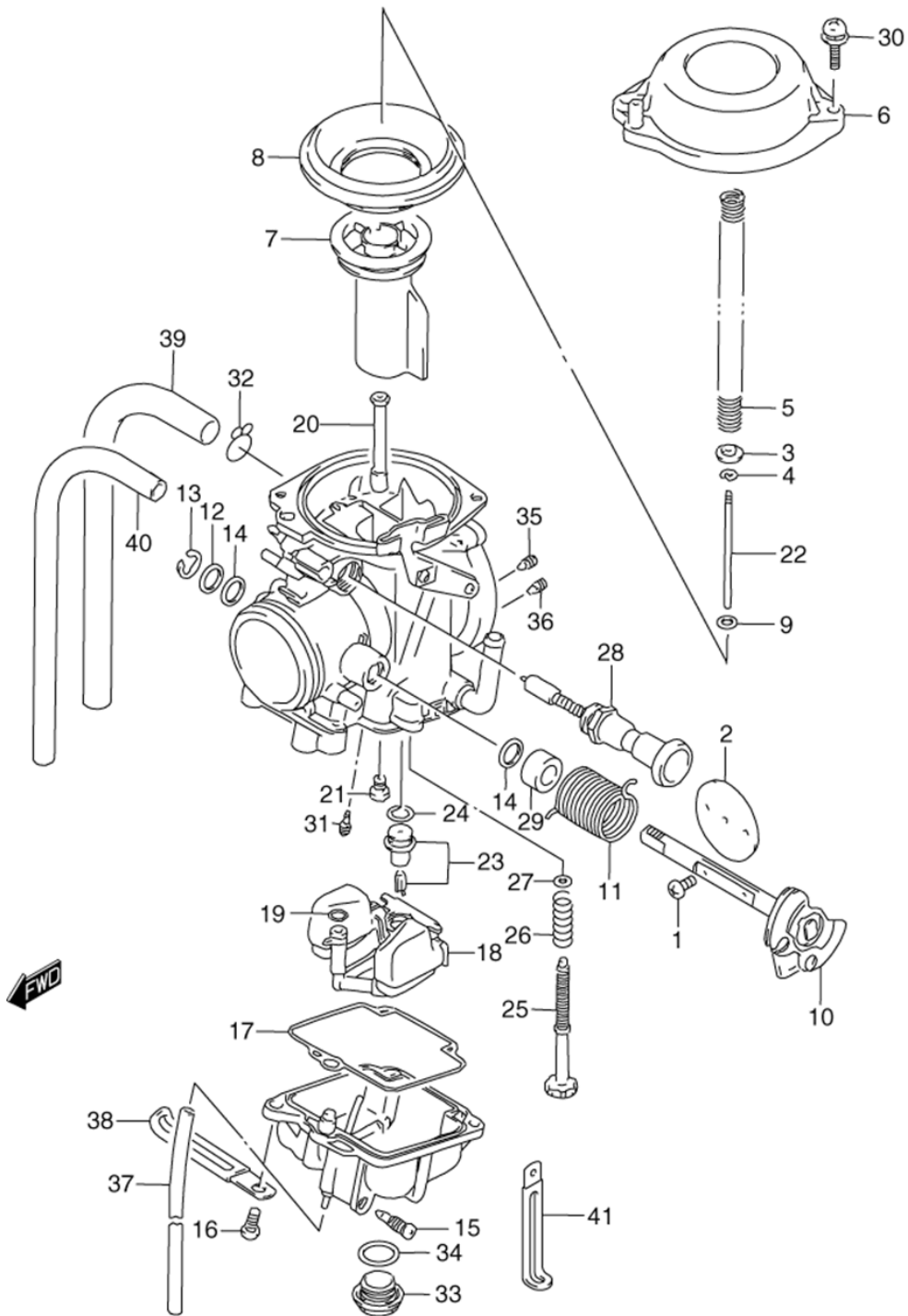


Table 9A. CARBURETOR (MODEL N P)

Reference Number	Quantity Required	Part Number	Description
1	2	13604-44080	.SCREW
3	1	13382-42A00	.RING
4	1	13394-01D00	.E RING
5	1	13417-44B00	.SPRING
6	1	13502-01D00	.COVER, DIAPHRAGM
7	1	13551-44B10	.VALVE, PISTON
8	1	13507-44B00	.DIAPHRAGM
9	1	13387-47010	.RING
11	1	13268-31D00	.SPRING
12	1	13557-47070	.WASHER
13	1	13617-44080	.E RING
14	2	13556-44B00	.SEAL
15	1	13247-02340	.SCREW, DRAIN
16	2	02112-05127	SCREW
17	1	13258-44B00	.GASKET, FLOAT CHAMBER
18-1	1	13240-14D20	.FLOAT ASSY
18-2	1	13240-17E10	.FLOAT ASSY
19	1	13374-46710	.O RING
20	1	09494-00883	.JET, NEEDLE (0-6M)
21-1	1	09491-27009	.JET, MAIN (135)
21-2	1	09491-25011	.JET, MAIN (127.5)
22	1	13383-14D20	.NEEDLE, JET (5CD56-3)
23	1	13370-02D00	.VALVE ASSY, NEEDLE
24	1	13374-35C00	.O RING
25	1	13267-14D10	.ADJUSTER
26	1	13375-14D10	SPRING
27	1	13427-38300	.WASHER
28	1	13411-14E10	PLUNGER ASSY
29	1	13574-28A00	.RING
30	2	02112-7516A	SCREW
31	1	09492-35010	.JET, PILOT (37.5)
32	1	09401-10410	CLIP
33	1	13247-32210	.CAP, DRAIN
34	1	13249-41310	.O RING
35	1	09493-26004	.JET, AIR (1.3)
36	1	09493-60004	.JET, MAIN AIR (0.6)
37	1	09352-30503-600	.HOSE
38	1	09404-06434	CLAMP (L:95)
39	1	09352-70113-600	HOSE (SILENCER TO IAC)
40-1	1	09352-50823-600	HOSE
40-2	1	09355-45855-600	.HOSE (4.5X8.5X600)
41	1	09404-06432	.CLAMP, SW LEADS

FIG.9B

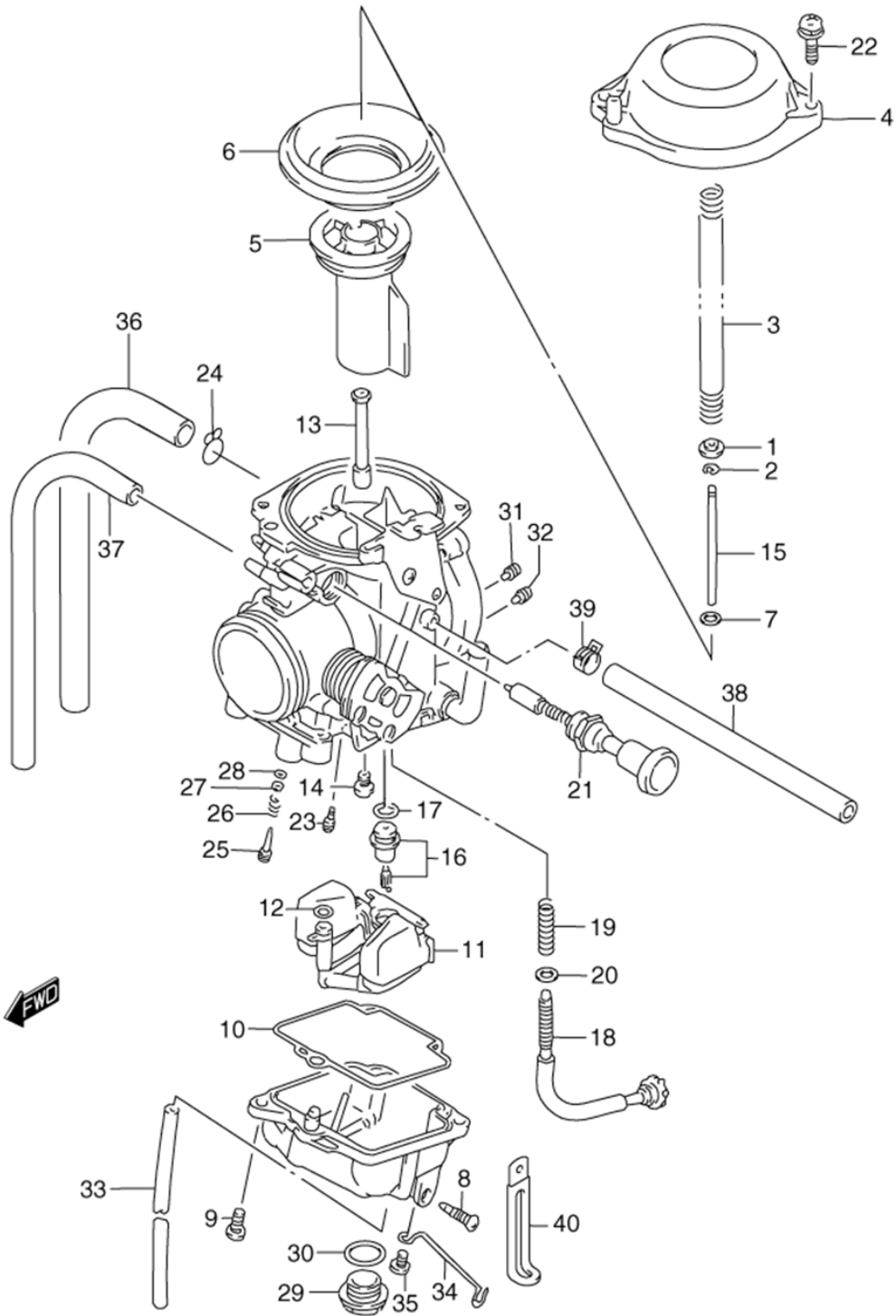


Table 9B. CARBURETOR (MODEL R S T)

Reference Number	Quantity Required	Part Number	Description
	1	13200-14EP1	CARBURETOR ASSY
	1	13200-14ES1	CARBURETOR ASSY
1	1	13382-42A00	.RING
2	1	13394-01D00	.E RING
3	1	13417-44B00	.SPRING
4	1	13502-01D00	.COVER, DIAPHRAGM
5	1	13551-44B10	.VALVE, PISTON
6	1	13507-44B00	.DIAPHRAGM
7	1	13387-47010	.RING
8	1	13247-02340	.SCREW, DRAIN
9-1	2	02112-05127	SCREW
9-2	2	02112-05127	SCREW
10	1	13258-44B00	.GASKET, FLOAT CHAMBER
11	1	13240-17E10	.FLOAT ASSY
12	1	13374-46710	.O RING
13	1	09494-00883	.JET, NEEDLE (0-6M)
14	1	09491-25011	.JET, MAIN (127.5)
15	1	13383-14D20	.NEEDLE, JET (5CD56-3)
16	1	13370-02D00	.VALVE ASSY, NEEDLE
17	1	13374-35C00	.O RING
18	1	13267-15E00	.ADJUSTER
19	1	13268-31210	.SPRING
20	1	13615-43010	.WASHER
21-1	1	13411-14E10	PLUNGER ASSY
21-2	1	13411-14E10	PLUNGER ASSY
22-1	2	02112-7516A	SCREW
22-2	2	02112-7516A	SCREW
23	1	09492-35010	.JET, PILOT (37.5)
24	1	09401-10410	CLIP
25	1	13279-47070	.SCREW, PILOT (1,1/2)
26	1	13268-47070	.SPRING
27	1	13291-29900	.WASHER
28	1	13295-29900	.O RING
29	1	13247-32210	.CAP, DRAIN
30	1	13249-41310	.O RING
31	1	09493-26004	.JET, AIR (1.3)
32	1	09493-60004	.JET, MAIN AIR (0.6)
33	1	09352-30503-600	.HOSE
34	1	13671-15D60	.CLIP
35	1	02112-05087	.SCREW
36	1	09352-70113-600	HOSE (SILENCER TO IAC)
37	1	09355-45855-600	.HOSE (4.5X8.5X600)
38-1	1	13520-02C01	.VALVE ASSY, CHECK
38-2	1	09352-50823-600	HOSE
39	1	13671-14E00	.CLIP
40-1	1	09404-06432	.CLAMP, SW LEADS
40-2	1	09404-06432	.CLAMP, SW LEADS

FIG.10

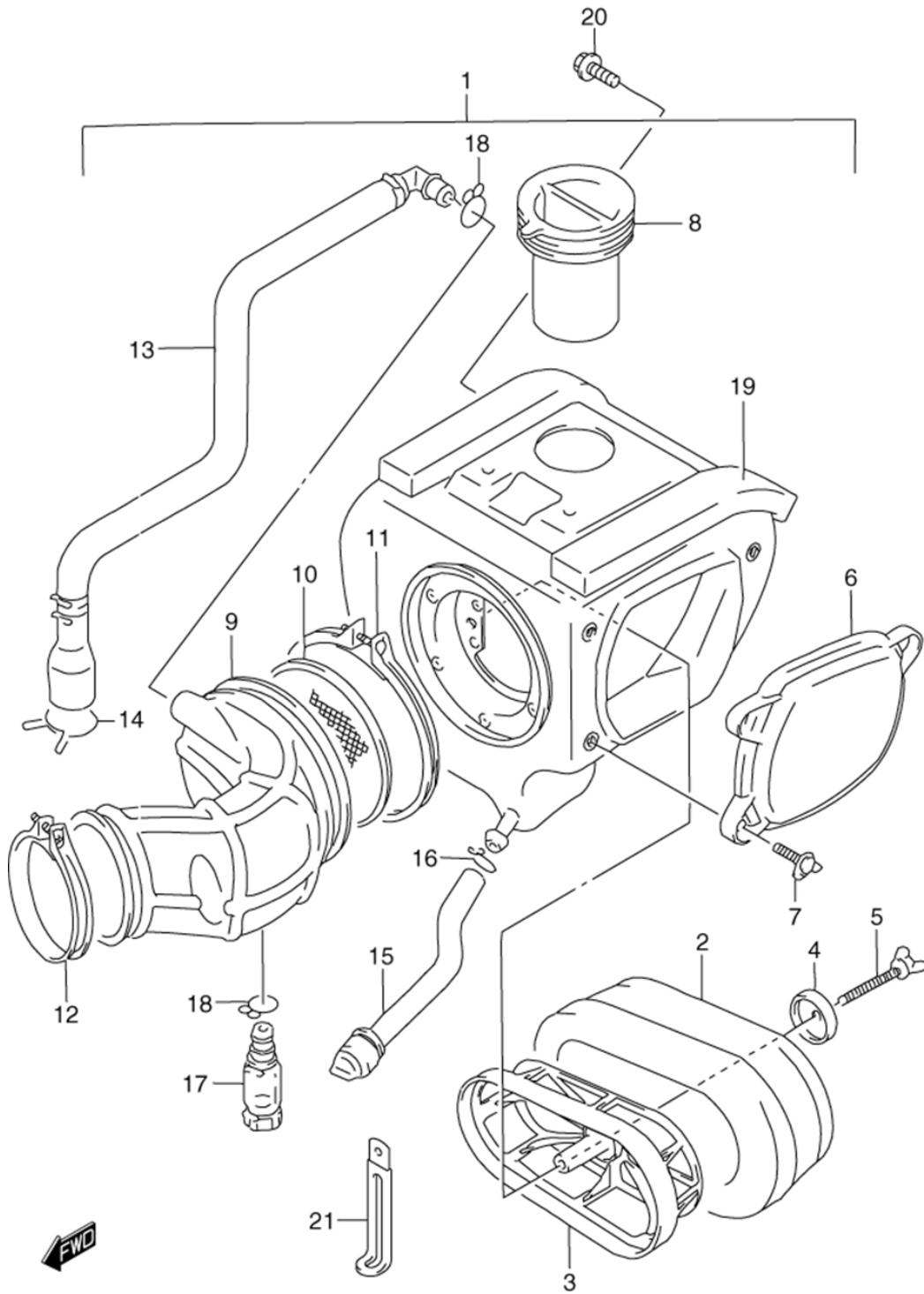


Table 10. AIR CLEANER (MODEL L M N P)

Reference Number	Quantity Required	Part Number	Description
2	1	13780-14D02	.FILTER
3	1	13791-14D00	.HOLDER, FILTER
4	1	13792-13A01	.WASHER, FILTER
5	1	13831-02B00	.BOLT, WING
6	1	13740-14D00	.CAP, AIR CLEANER
7-1	3	13837-14D01	.BOLT, WING
7-2	3	13837-14D01	.BOLT, WING
8	1	13891-14D10	.TUBE, INLET
9-1	1	13881-14D12	.TUBE, OUTLET
9-2	1	13881-14D12	.TUBE, OUTLET
10	1	13810-14D02	.TRAP, FRAME
11-1	1	13826-14D01	.CLAMP (CLEANER SIDE)
11-2	1	13826-14D01	.CLAMP (CLEANER SIDE)
12	1	09402-66208	CLAMP
13-1	1	13850-14D22	.TUBE, BREATHER
13-2	1	13850-14D22	.TUBE, BREATHER
13-3	1	13850-14D13	.TUBE, BREATHER
14	1	13824-14D00	..CLIP
15-1	1	13870-14D20	.TUBE, DRAIN, A
15-2	1	13870-14D20	.TUBE, DRAIN, A
16	1	09401-14301	.CLIP
17	1	13872-14D00	.TUBE, DRAIN
18	2	09401-14301	.CLIP
19	1	13736-14D00	.CUSHION
20	3	01550-06127	BOLT
21	1	09404-08420	CLAMP, L:120

FIG.10A

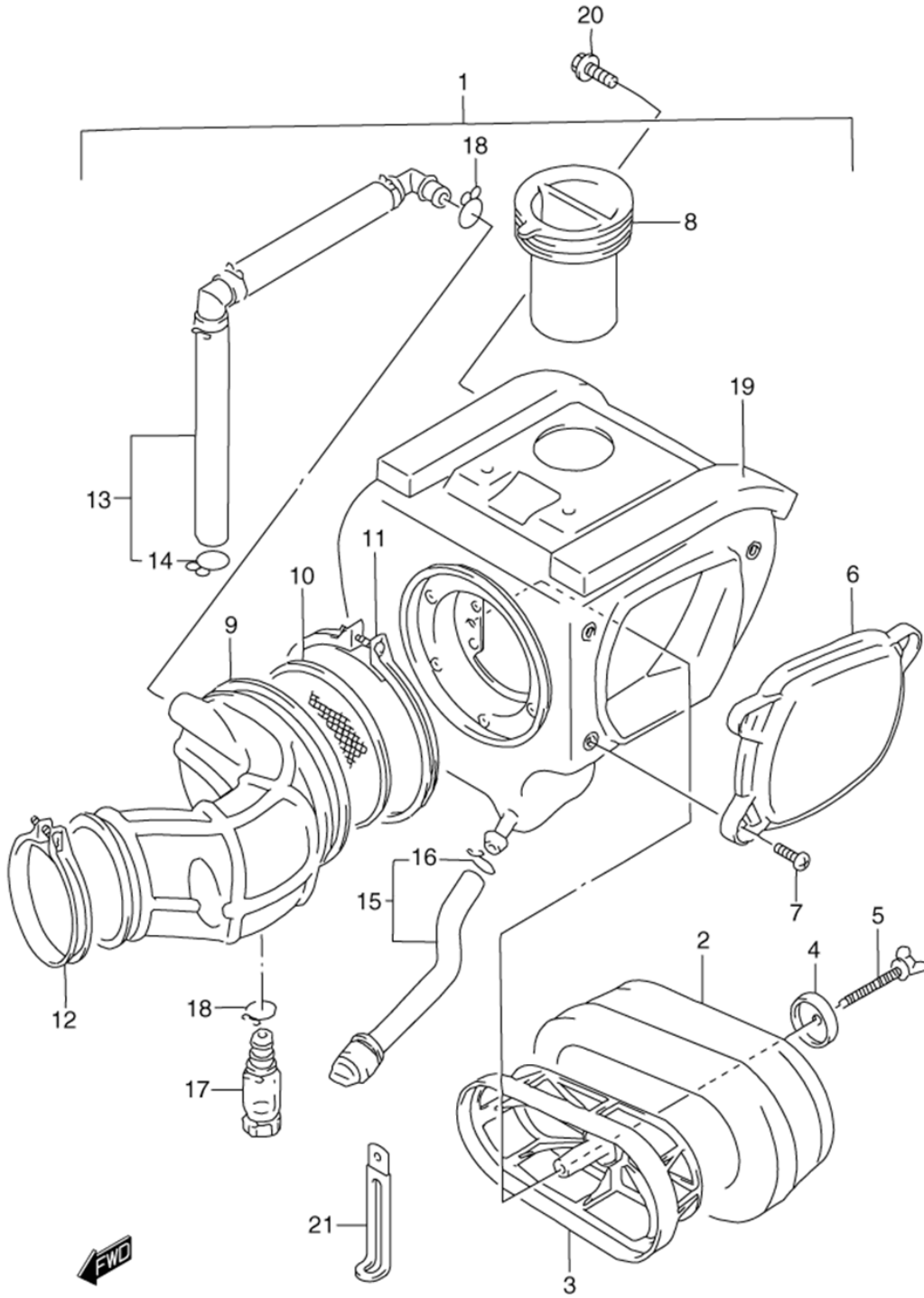


Table 10A. AIR CLEANER (MODEL R S T)

Reference Number	Quantity Required	Part Number	Description
1	1	13700-14D40	CLEANER ASSY, AIR
2	1	13780-14D02	.FILTER
3	1	13791-14D00	.HOLDER, FILTER
4	1	13792-13A01	.WASHER, FILTER
5	1	13831-02B00	.BOLT, WING
6	1	13740-14D00	.CAP, AIR CLEANER
7	3	02142-05207	.SCREW
8	1	13891-14D10	.TUBE, INLET
9	1	13881-14D30	.TUBE, OUTLET
10	1	13810-14D02	.TRAP, FRAME
11	1	13826-14D01	.CLAMP (CLEANER SIDE)
12	1	09402-66208	CLAMP
13	1	13850-14D41	.TUBE, BREATHER
14	1	09401-14301	.CLIP
15	1	13870-14D20	.TUBE, DRAIN, A
16	1	09401-14301	.CLIP
17-1	1	13872-14D00	.TUBE, DRAIN
17-2	1	13870-11458	.TUBE, DRAIN
18	2	09401-14301	.CLIP
19	1	13736-14D20	.CUSHION
20	3	01550-0612A	BOLT
21-1	1	09404-08420	CLAMP, L:120
21-2	1	09404-08420	CLAMP, L:120
21-3	1	09404-08419	CLAMP (L:97)

FIG.11

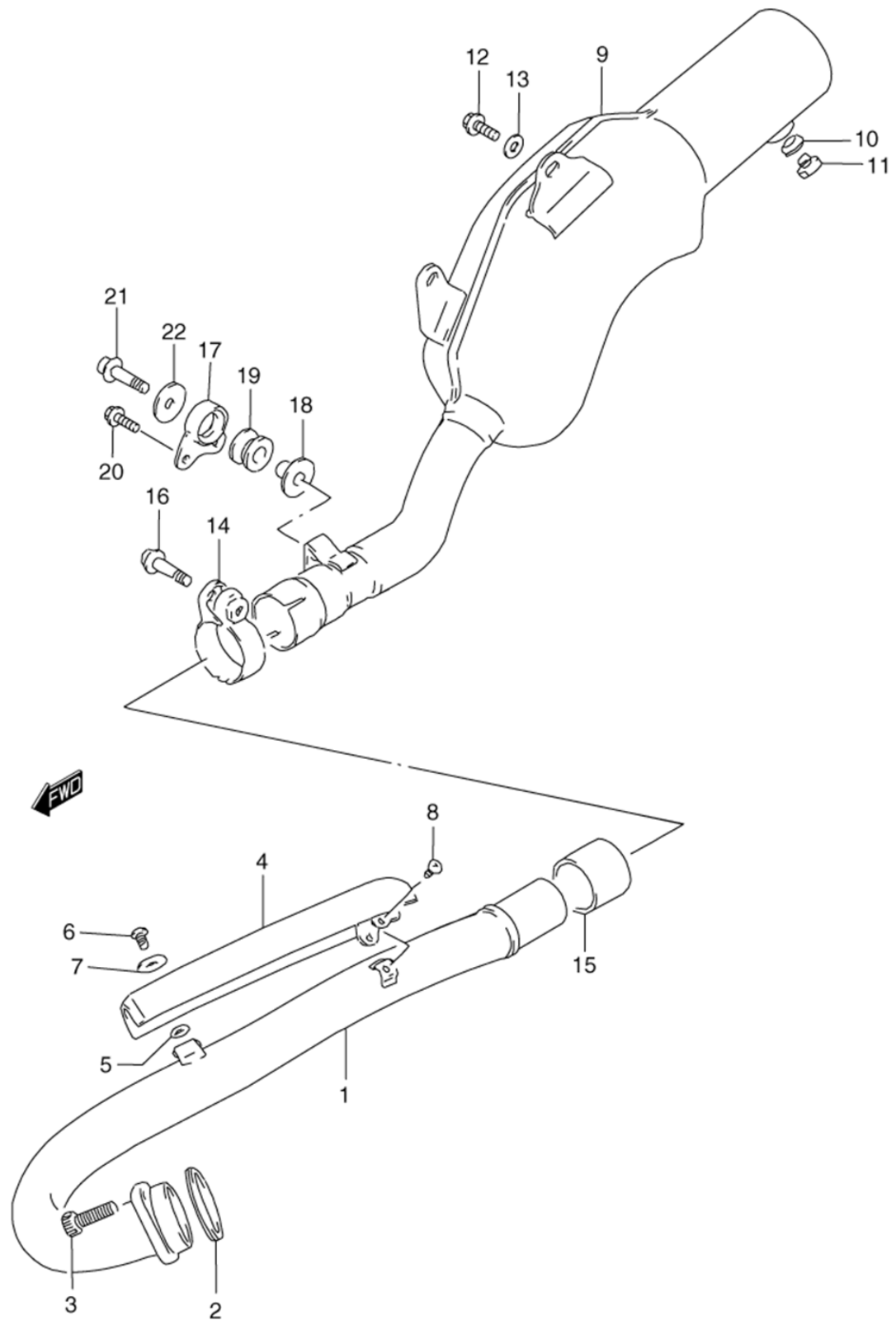


Table 11. MUFFLER

Reference Number	Quantity Required	Part Number	Description
1-1	1	14150-14D20	PIPE, EXHAUST
1-2	1	14150-14D20	PIPE, EXHAUST
1-3	1	14150-14D20	PIPE, EXHAUST
1-4	1	14150-14E00	PIPE, EXHAUST
2-1	1	14181-18C00	GASKET
2-2	1	14181-18C00	GASKET
2-3	1	14181-40C00	GASKET, EXHAUST PIPE
3-1	2	07130-0825B	BOLT, SPEED ROTOR
3-2	2	07130-08257	BOLT
3-3	2	07130-0825B	BOLT, SPEED ROTOR
4-1	1	14180-14D10	COVER, EXHAUST PIPE
4-2	1	14180-14D10	COVER, EXHAUST PIPE
5	1	09168-06120	GASKET (5.8X13X1.4)
6-1	1	09139-06076	SCREW, EXHAUST COVER
6-2	1	09139-06076	SCREW, EXHAUST COVER
7	1	09160-06056	WASHER (6.5X18X1)
8-1	2	02142-0508A	SCREW
8-2	2	02142-0508A	SCREW
9-1	1	14310-14D73-H01	MUFFLER ASSY
9-2	1	14310-14D73-H01	MUFFLER ASSY
9-3	1	14310-14D73-H01	MUFFLER ASSY
10	2	09168-12002	GASKET, OIL LEVEL PLUG
11	2	09247-12103	PLUG, TDC
12-1	2	09106-08107	BOLT (8X20)
12-2	2	09103-08286	BOLT, REAR
13	2	09160-08039	WASHER
14	1	14469-07A11	CLAMP
15-1	1	14771-14D00	CONNECTOR
15-2	1	14771-13E00	CONNECTOR
16-1	1	07120-0835B	BOLT
16-2	1	01550-0835A	BOLT
16-3	1	01550-0835A	BOLT
17-1	1	14770-14D01	DAMPER, JOINT
17-2	1	14770-14D01	DAMPER, JOINT
18	1	09180-08151	SPACER (8.6X12X17.5)
19	1	09320-12043	CUSHION
20-1	2	01550-0612A	BOLT
20-2	2	09103-06285	BOLT
20-3	2	09103-06285	BOLT
21-1	1	09106-08109	BOLT (8X35)
21-2	1	09103-08357	BOLT (8X35)
22	1	09160-08135	WASHER (8.5X28X1.6)

FIG.12

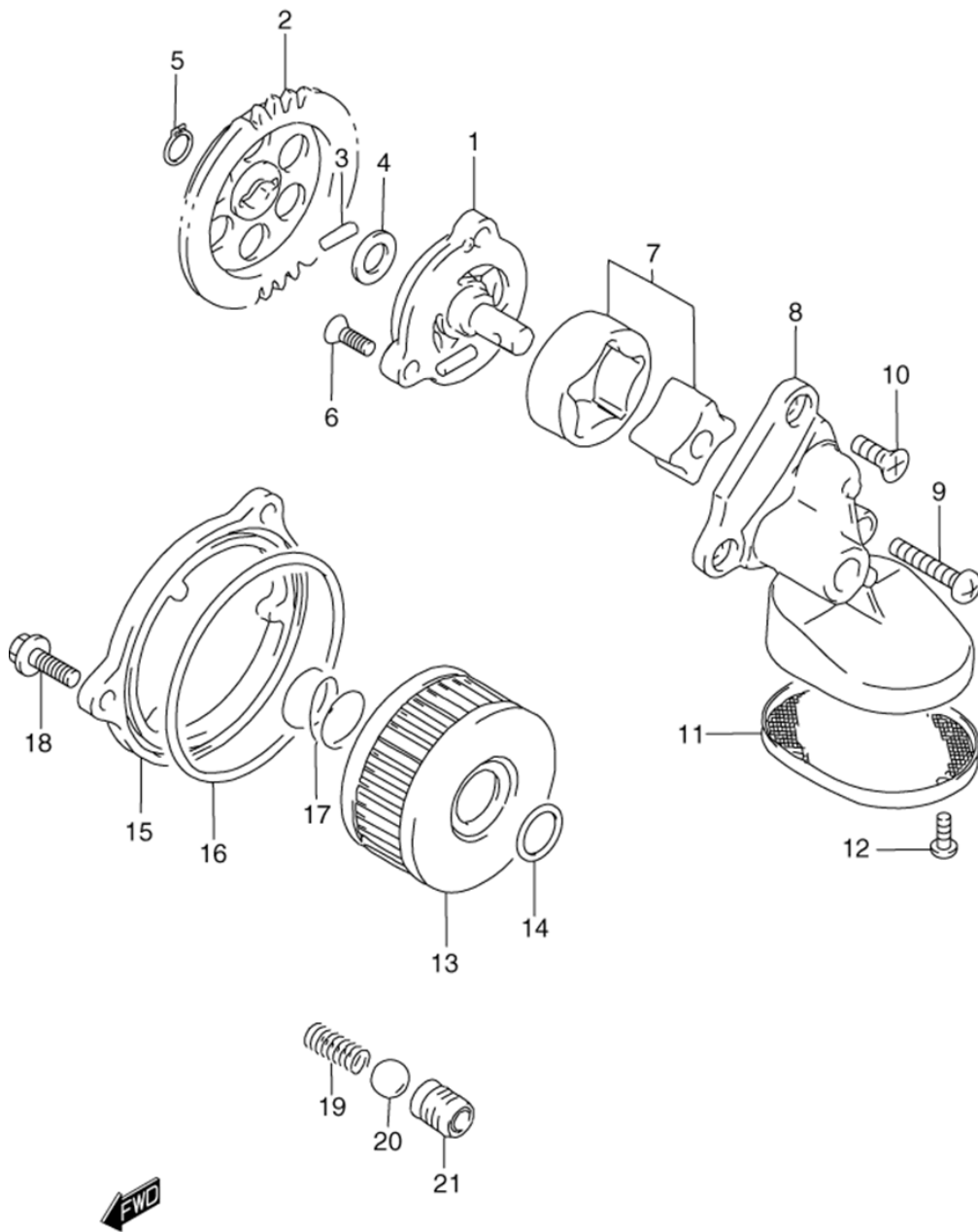


Table 12. OIL PUMP

Reference Number	Quantity Required	Part Number	Description
1	1	16400-14D01	PUMP ASSY, ENGINE OIL NO.1
2-1	1	16331-14D01	GEAR, DRIVEN (NT:47)
2-2	1	16331-14D01	GEAR, DRIVEN (NT:47)
3	2	09261-04009	PIN
4	1	08221-10185	WASHER
5	1	08331-3110A	CIRCLIP
6-1	3	02122-0616A	.SCREW
6-2	3	02122-0616A	.SCREW
7	1	16410-14D00	ROTOR SET, OIL PUMP
8	1	16431-14D01	COVER, OIL PUMP NO.2
9-1	1	02112-0630A	SCREW
9-2	1	02112-0630A	SCREW
10-1	2	02122-0616A	.SCREW
10-2	2	02122-0616A	.SCREW
11	1	16520-14D00	STRAINER, ENGINE OIL
12-1	3	02112-0510A	.SCREW
12-2	3	02112-0510A	.SCREW
13	1	16510-38240	FILTER, ENGINE OIL
14-1	1	09280-16005	O RING (D:2.4,ID:15.8)
14-2	1	09280-15007	O RING (D:2.4 ID:15.8)
15	1	16512-14D00	CAP, OIL FILTER
16	1	09280-72001	O RING (D:2.4,ID:73)
17-1	1	09440-21004	SPRING
17-2	1	09440-21006	SPRING
18-1	3	01547-06207	BOLT, LOWER
18-2	3	01547-0620B	BOLT, THERMOSTAT COVER
19	1	09440-07073	SPRING
20	1	06111-12004	BALL
21	1	16442-14D00	SEAT, OIL CHECK VALVE

FIG.13

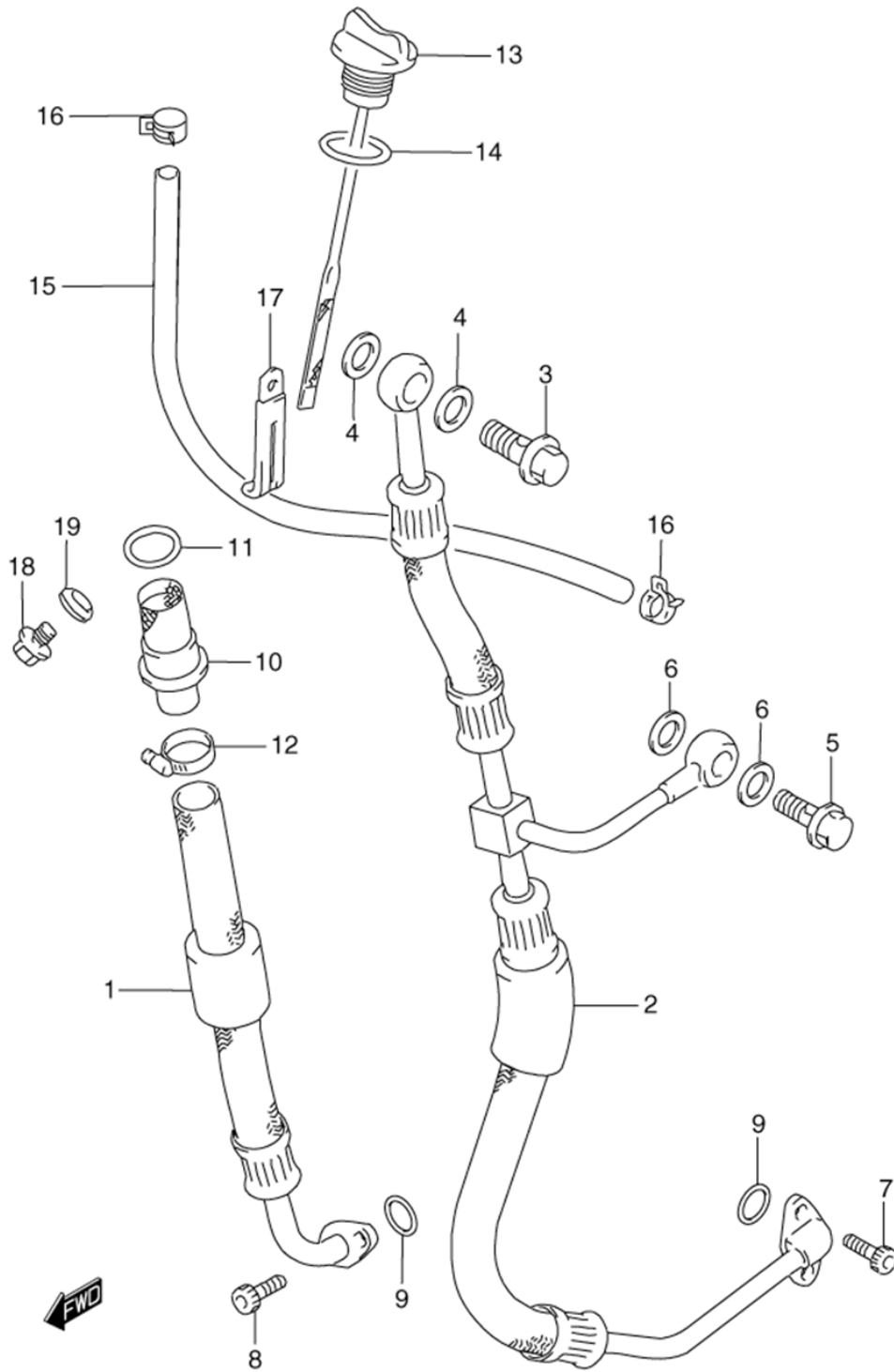


Table 13. OIL HOSE

Reference Number	Quantity Required	Part Number	Description
1-1	1	16460-14D03	HOSE, OIL TANK INLET
1-2	1	16460-14D03	HOSE, OIL TANK INLET
2-1	1	16470-14D51	HOSE, OIL TANK OUTLET
2-2	1	16470-14D51	HOSE, OIL TANK OUTLET
2-3	1	16470-14D51	HOSE, OIL TANK OUTLET
3	1	09360-16002	BOLT, UNION (16X32)
4	2	09168-16003	GASKET (16X22X2.0)
5-1	1	09360-12008	UNION
5-2	1	09360-12008	UNION
6-1	2	09168-12010	GASKET
6-2	2	09168-12017	GASKET
7-1	2	07130-0616A	.BOLT, PISTON JET VALVE
7-2	2	07130-0616A	.BOLT, PISTON JET VALVE
8-1	2	07130-0620B	BOLT
8-2	2	07130-0620B	BOLT
9	2	09280-12008	O RING (D:2.4,ID:12.3)
10	1	16550-14D02	STRAINER, FRAME HEAD UNDER
11	1	09280-22008	O RING (D:3.1,ID:22.7)
12-1	1	09402-22511	CLAMP
12-2	1	09402-22511	CLAMP
13	1	16560-14D01	GAUGE, OIL LEVEL
14	1	09280-17003	O RING, OIL FILLER CAP
15-1	1	16480-47D00	HOSE, OIL OVER FLOW
15-2	1	16480-47D00	HOSE, OIL OVER FLOW
16-1	2	09401-11415	CLIP
16-2	2	09401-11415	CLIP
18-1	1	09247-10001	PLUG, OIL DRAIN
18-2	1	09247-10008	PLUG, OIL GALLERY
19	1	09168-10002	GASKET, OIL GALLERY PLUG

FIG.13A

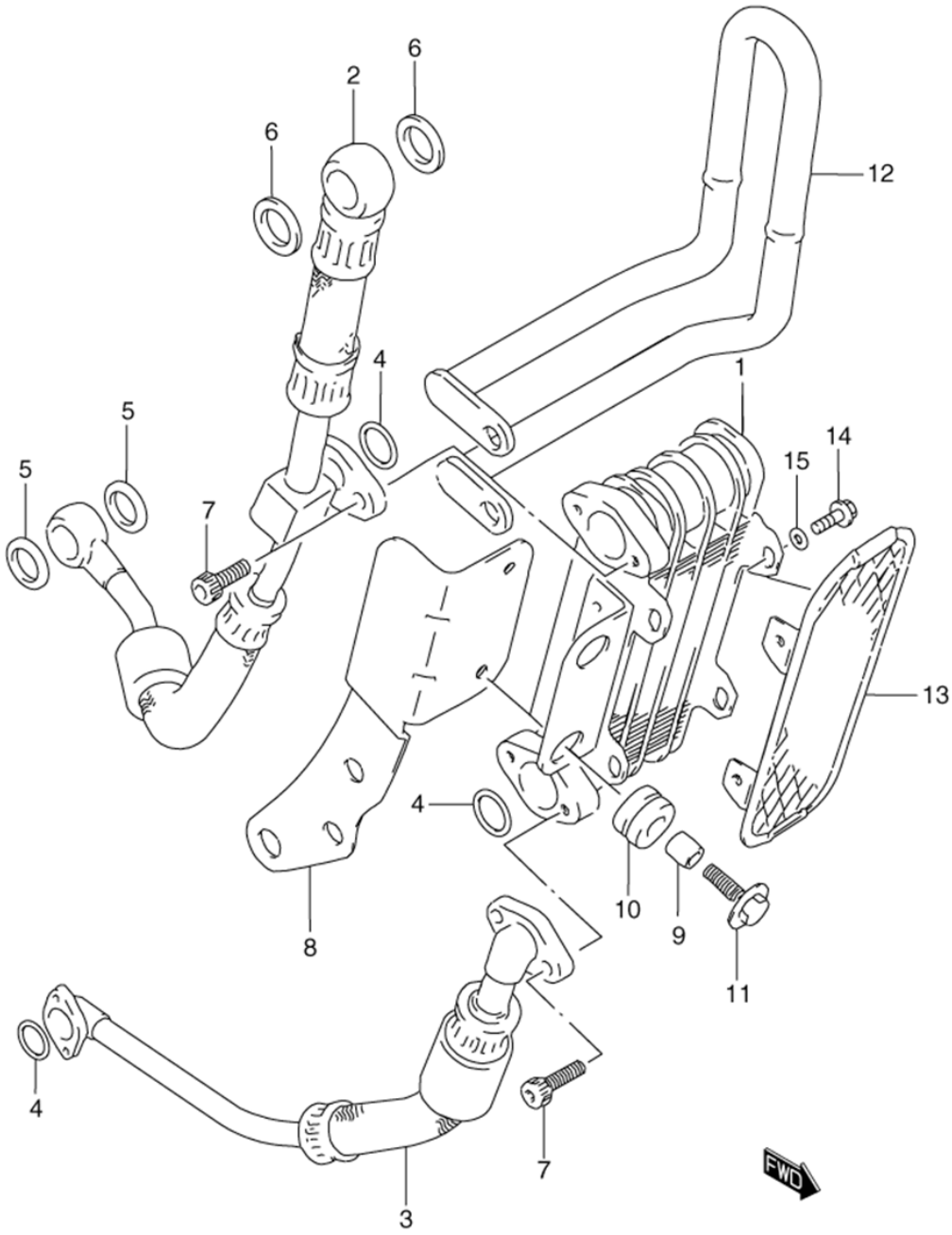


Table 13A. OIL COOLER (OPTIONAL EXCEPT CALIFORNIA)

Reference Number	Quantity Required	Part Number	Description
1	1	16600-14D00	.OIL COOLER
2-1	1	16480-14D10	.HOSE, OIL COOLER, UPPER
2-2	1	16450-14D00	.HOSE, OIL COOLER, UPPER
3-1	1	16490-14D10	.HOSE, OIL COOLER, LOWER
3-2	1	16490-14D00	.HOSE, OIL COOLER, LOWER
4	3	09280-12008	O RING (D:2.4,ID:12.3)
5-1	2	09168-12010	GASKET
5-2	2	09168-12017	GASKET
6	2	09168-16003	GASKET (16X22X2.0)
7-1	4	07130-0616A	.BOLT, PISTON JET VALVE
7-2	4	07130-0616A	.BOLT, PISTON JET VALVE
8-1	1	16620-14D10	.BRACKET
8-2	1	16620-14D00	.BRACKET
9	2	09180-06310	.SPACER
10	2	09320-10015	CUSHION
11	2	09116-06115	BOLT
13	1	16650-14D00	.BUMPER, OIL COOLER
14-1	4	01547-05103	BOLT, GUIDE
14-2	4	01547-05103	BOLT, GUIDE
15-1	4	08321-0105A	WASHER,LOCK
15-2	4	08321-0105A	WASHER,LOCK

Table 14. CLUTCH

Reference Number	Quantity Required	Part Number	Description
1-1	1	21200-14D11	GEAR ASSY, PRIMARY DRIVEN
1-2	1	21200-14D11	GEAR ASSY, PRIMARY DRIVEN
1-3	1	21200-15D21	GEAR ASSY, PRIMARY DRIVEN
2	2	08211-20363	THRUST WASHER
3	1	09180-20109	SPACER (20X25X29)
4	1	21410-14D00	HUB, SLEEVE
5-1	7	21441-12D01	PLATE, DRIVE NO.1
5-2	7	21441-12D01	PLATE, DRIVE NO.1
6-1	6	21451-28C31	PLATE, CLUTCH DRIVEN (T:1.6)
6-2	6	21451-28C31	PLATE, CLUTCH DRIVEN (T:1.6)
7	1	21462-00B02	DISC, PRESSURE
8	6	09440-15014	SPRING
9	6	09116-05020	BOLT, CLUTCH REACTION (5X16)
10	1	09140-20001	NUT
11	1	09167-20009	WASHER
12-1	1	23165-44B01	RACK
12-2	1	23165-44B01	RACK
13	1	09263-10002	THRUST BEARING (10.1X22X2.8)
13A	1	09263-10016	THRUST BEARING (10X24X2.0)
13B	1	08211-10241	WASHER, BRG THR
14	1	23261-14D02	PINION (NT:12)
15	1	09263-12024	BEARING, CL RLSE UP
16	1	09181-08139	WASHER, GEAR SHIFT ARM
17	1	09285-10004	OIL SEAL (10X17X5)
18-1	1	23271-20902	ARM, CL RLSE
18-2	1	23271-20902	ARM, CL RLSE
19-1	1	01500-06167	BOLT, FUEL COOLER
19-2	1	01500-0616A	BOLT

FIG.15

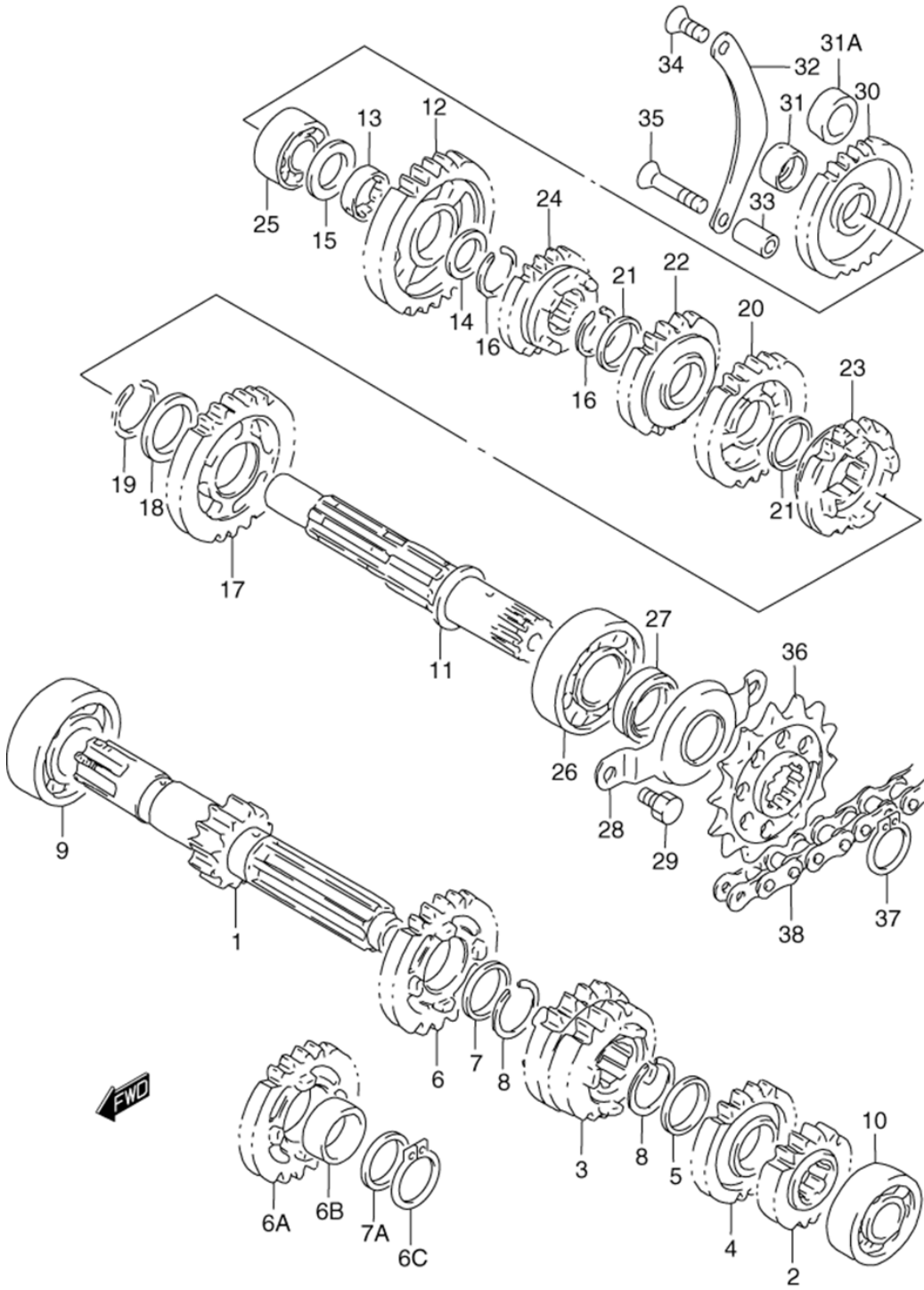


Table 15. TRANSMISSION

Reference Number	Quantity Required	Part Number	Description
1-1	1	24120-14D03	COUNTERSHAFT (NT:12)
1-2	1	24120-14D03	COUNTERSHAFT (NT:12)
2	1	24221-14D01	GEAR, 2ND DRIVE (NT:15)
3	1	24231-14D00	GEAR, 3RD/4TH DRIVE (NT:18/18)
4	1	24251-14D00	GEAR, 5TH DRIVE (NT:21)
5	1	09181-22111	SHIM
6	1	24260-14D00	GEAR, 6TH DRIVE (NT:23)
6A	1	24261-14D02	GEAR, 6TH DRIVE (NT:23)
6B	1	09300-22008	BUSH (22X27X0.5)
6C	1	08331-3122A	CIRCLIP, FINAL DRIVEN
7	1	09181-22139	WASHER (22X28X1.0)
7A	1	09181-22167	WASHER, 6TH DRIVE
8-1	2	09380-22006	CIRCLIP (MODEL L/M/MODEL N/P/R/S/T)
9-1	1	09262-20145	BEARING,20X52X1
9-2	1	09262-20145	BEARING,20X52X1
10-1	1	09262-17027	BEARING, CNTR SHAFT LH
10-2	1	09262-17027	BEARING, CNTR SHAFT LH
10-3	1	09262-17027	BEARING, CNTR SHAFT LH
11-1	1	24130-14D14	DRIVESHAFT
11-2	1	24130-14D14	DRIVESHAFT
11-3	1	24130-14D14	DRIVESHAFT
12-1	1	24311-14D01	GEAR, 1ST DRIVEN (NT:29)
12-2	1	24311-15D00	GEAR, 1ST DRIVEN (NT:30)
13	1	24312-14D00	BUSH, 1ST DRIVEN GEAR
14	1	08211-17322	THRUST WASHER
15	1	09181-22167	WASHER, 6TH DRIVE
16	2	09380-22006	CIRCLIP
17	1	24320-14D00	GEAR, 2ND DRIVEN (NT:26)
18	1	09181-25167	WASHER, 5TH DRIVE
19	1	09380-25010	CIRCLIP
20-1	1	24331-14D01	GEAR, 3RD DRIVEN (NT:24)
20-2	1	24331-14D01	GEAR, 3RD DRIVEN (NT:24)
21	2	09181-22139	WASHER (22X28X1.0)
22	1	24341-14D00	GEAR, 4TH DRIVEN (NT:20)
23	1	24351-14D01	GEAR, 5TH DRIVEN (NT:20)
24-1	1	24361-14D01	GEAR, 6TH DRIVEN (NT:19)
24-2	1	24361-14D01	GEAR, 6TH DRIVEN (NT:19)
25	1	09267-17003	BEARING (17X40X17.5)
26	1	09262-22024	BEARING, DRIVE SHAFT, LH
27	1	09283-22025	OIL SEAL (22X34X7)
28	1	24751-14D00	RETAINER, DRIVE SHAFT OIL SEA
29-1	2	01500-0612A	BOLT
29-2	2	01500-0612A	BOLT
30	1	26261-14D10	GEAR, KICK STARTER IDLE
31	1	26262-14D00	BUSH, KICK STARTER
31A	1	09180-17004	.SPROCKET DRUM SHAFT SPACER
32	1	26264-14D00	RETAINER
33	1	09180-06314	SPACER (6.5X12X21)
34-1	1	02122-06167	SCREW
34-2	1	02122-0616A	.SCREW
35-1	1	02122-06353	SCREW
35-2	1	02122-06353	SCREW
36-1	1	27511-47D00	SPROCKET, ENGINE (NT:14)
36-2	1	27511-14320	SPROCKET (NT:15)

FIG.15

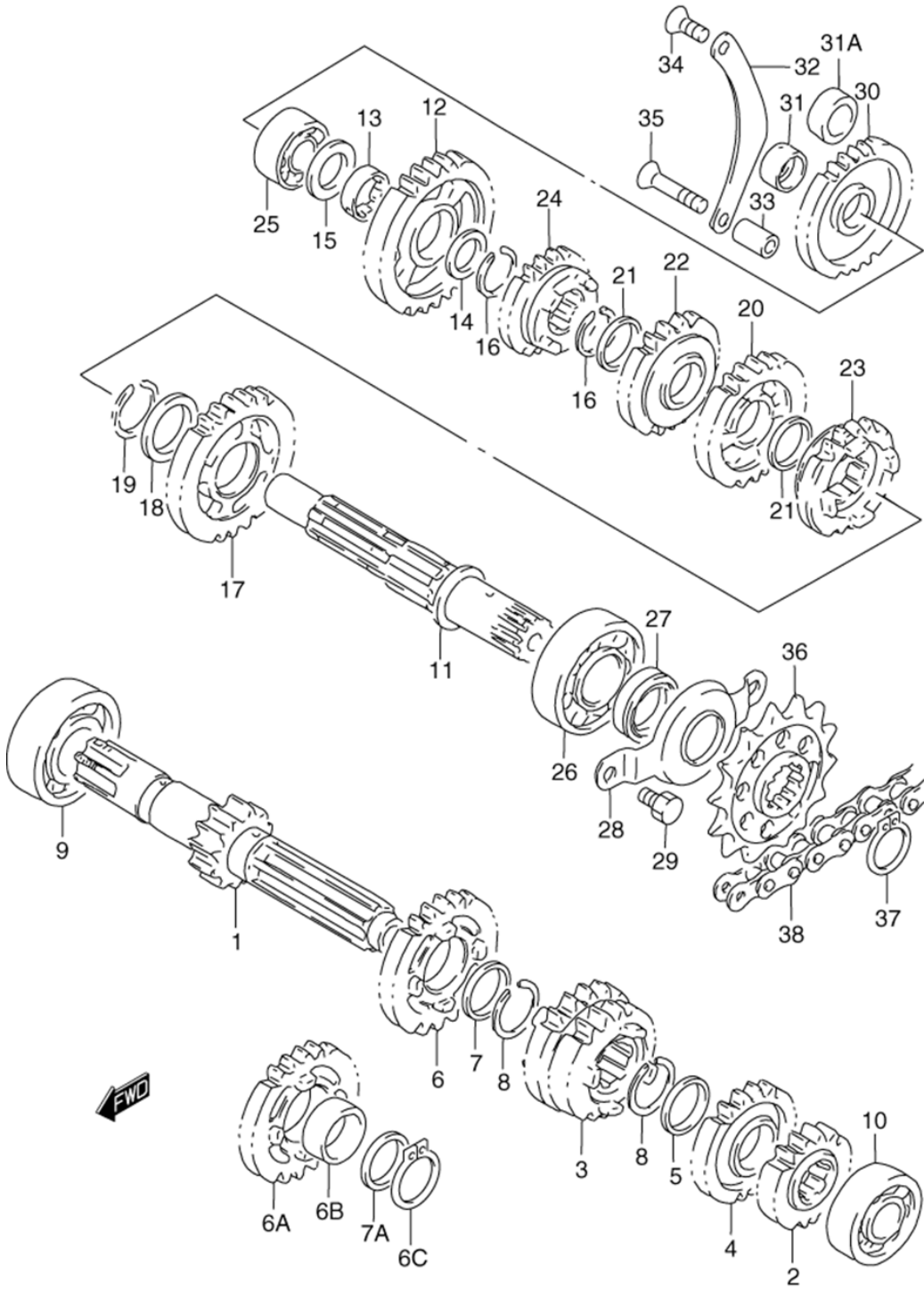


Table 15. TRANSMISSION (continued)

Reference Number	Quantity Required	Part Number	Description
37	1	09380-22012	CIRCLIP, SPROCKET
38-1	1	27600-01C10-108	CHAIN, DRIVE (DID520V7x108LE)
38-2	1	27600-01C10-108	CHAIN, DRIVE (DID520V7x108LE)

FIG.16

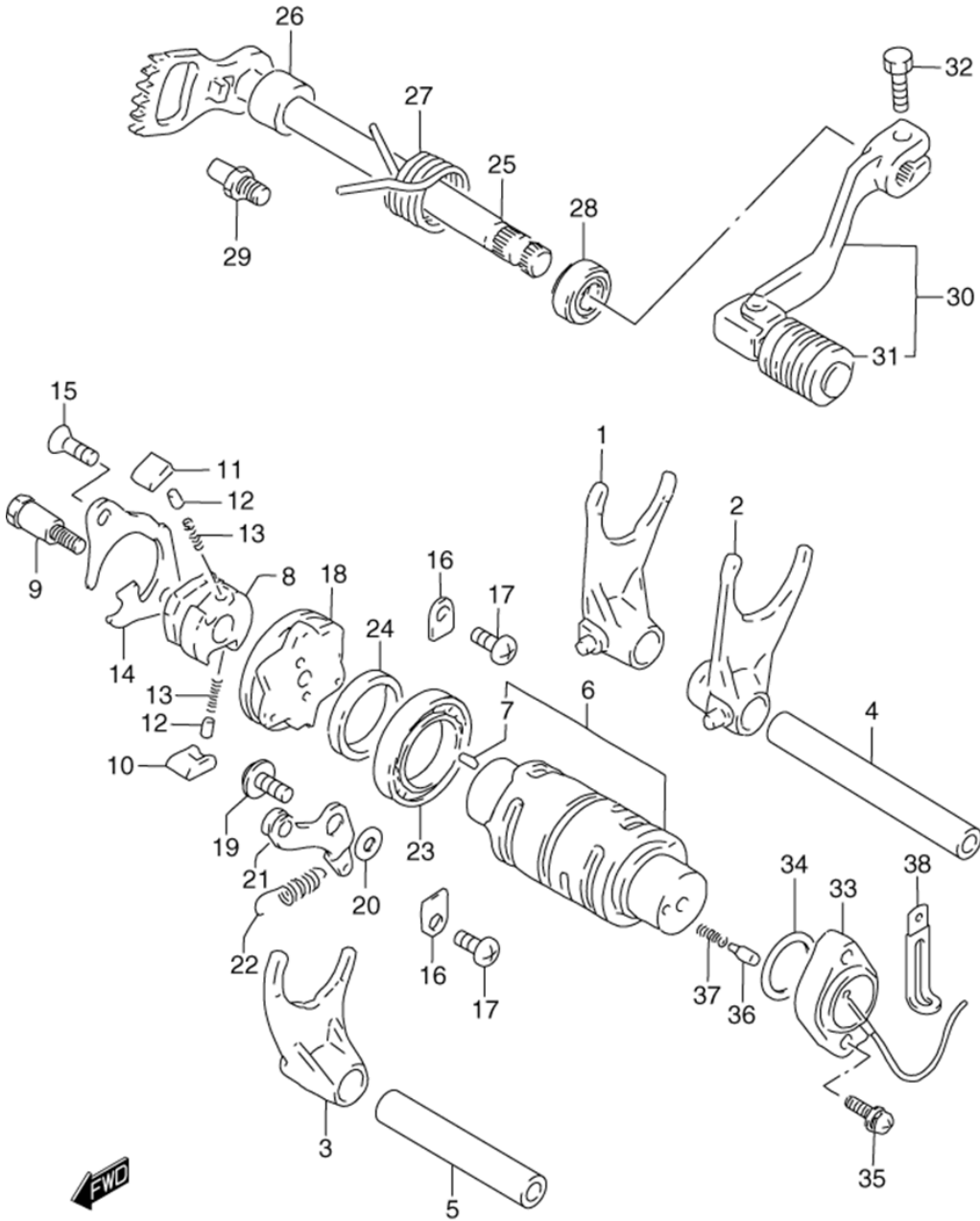


Table 16. GEAR SHIFTING

Reference Number	Quantity Required	Part Number	Description
1	1	25211-14D02	FORK, GEAR SHIFT NO.1
2	1	25221-14D03	FORK, GEAR SHIFT NO.2
3	1	25231-14D02	FORK, GEAR SHIFT NO.3
4	1	25411-37F20	SHAFT, GEAR FORK, NO.1
5	1	25421-14D00	SHAFT, GEAR SHIFT FORK (L:70)
6	1	25310-14D01	CAM
7	2	04221-04089	PIN
8	1	25322-31310	GEAR, GEAR SHIFT CAM DRIVEN
9	1	25312-38A00	PIN, SHIFT CAM
10	1	25323-34201	PAWL, GEAR SHIFT, NO.1
11	1	25324-34201	PAWL, GEAR SHIFT, NO.2
12	2	09261-05003	PIN, SHIFT POLE (5X8)
13	2	09440-04003	SPRING, SHIFT PAWL RETURN
14	1	25331-14D00	LIFTER, PAWL
15-1	2	02122-06127	SCREW
15-2	2	02122-0612A	SCREW
16	2	24741-21A00	RETAINER, SHIFT CAM BEARING
17-1	2	02112-06127	SCREW
17-2	2	02112-0612A	SCREW
18	1	25380-14D01	PLATE, STOPPER
19	1	09111-06041	BOLT (6X14.3)
20	1	08211-06141	WASHER
21	1	25350-14D01	STOPPER, CAM
22	1	09443-09026	SPRING
23	1	08113-69050	BEARING, SHIFT CAM
24	1	09160-25068	WASHER (25X32X5.3)
25-1	1	25510-14D01	SHAFT, GEAR SHIFTING
25-2	1	25510-14D01	SHAFT, GEAR SHIFTING
26	1	09180-12068	SPACER (12X20X15.3)
27	1	09444-26004	SPRING
28	1	09285-12006	OIL SEAL (12X22X9)
29	1	25671-36A00	STOPPER, GEAR SHIFT
30-1	1	25600-14D04	LEVER, GEAR SHIFTING
30-2	1	25600-15D20	LEVER, GEAR SHIFTING
31	1	25652-03D00	.RUBBER, GEAR PEDAL
32-1	1	01500-0620A	BOLT, GEAR SHIFT LINK ARM
32-2	1	01500-0620A	BOLT, GEAR SHIFT LINK ARM
32-3	1	01500-0620A	BOLT, GEAR SHIFT LINK ARM
33-1	1	37720-47D00	BASE ASSY, TERMINAL
33-2	1	37720-47D00	BASE ASSY, TERMINAL
34	1	09280-26005	O RING (D:2.4 ID:26.2)
35-1	2	02112-75207	SCREW
35-2	2	02112-7520A	SCREW
36	1	09209-05011	CONTACT
37	1	09440-04010	SPRING
38-1	1	09404-06432	.CLAMP, SW LEADS
38-2	1	09404-06432	.CLAMP, SW LEADS
38-3	1	09404-06432	.CLAMP, SW LEADS

FIG.17

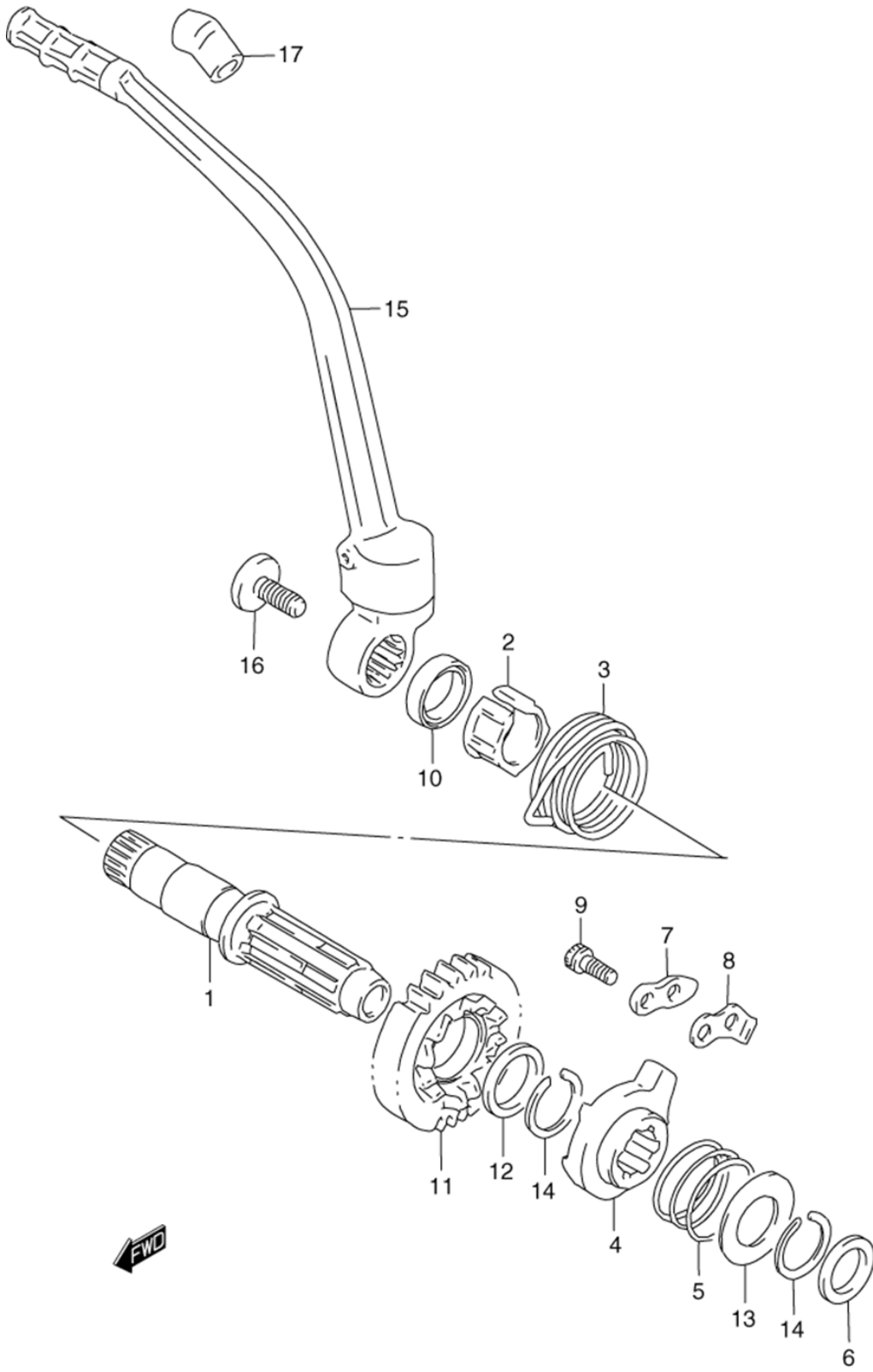


Table 17. KICK STARTER (MODEL L M N P)

Reference Number	Quantity Required	Part Number	Description
1	1	26211-14D03	SHAFT, KICK STARTER
2	1	26221-22A00	GUIDE, KICK SHAFT SPRING
3	1	09448-50001	SPRING, KICK STARTER SHAFT
4-1	1	26231-22A10	STARTER, KICK
4-2	1	26231-14D21	STARTER, KICK
5	1	09440-32002	SPRING, KICK STARTER
6	1	09181-17167	WASHER (17X26X1)
7	1	26232-14500	GUIDE, KICK STARTER
8	1	26233-14500	STOPPER, KICK STARTER
9	2	07130-0612A	BOLT, PISTON COOLING JET
10	1	09283-20044	SEAL, KICK (20X27X6)
11-1	1	26240-14D20	GEAR, KICK STARTER (NT:23) (MODEL L/M->26240-14D20 USED WITH26231-14D20)
11-2	1	26240-14D20	GEAR, KICK STARTER (NT:23)
12	1	09181-22139	WASHER (22X28X1.0)
13	1	09181-22251	WASHER (22X36X1.0)
14	2	09380-22006	CIRCLIP
15-1	1	26300-14D11	LEVER, KICK STARTER
15-2	1	26300-14D11	LEVER, KICK STARTER
16	1	09106-08102	BOLT (8X14)
17	1	26312-14D00	.COVER

FIG.17A

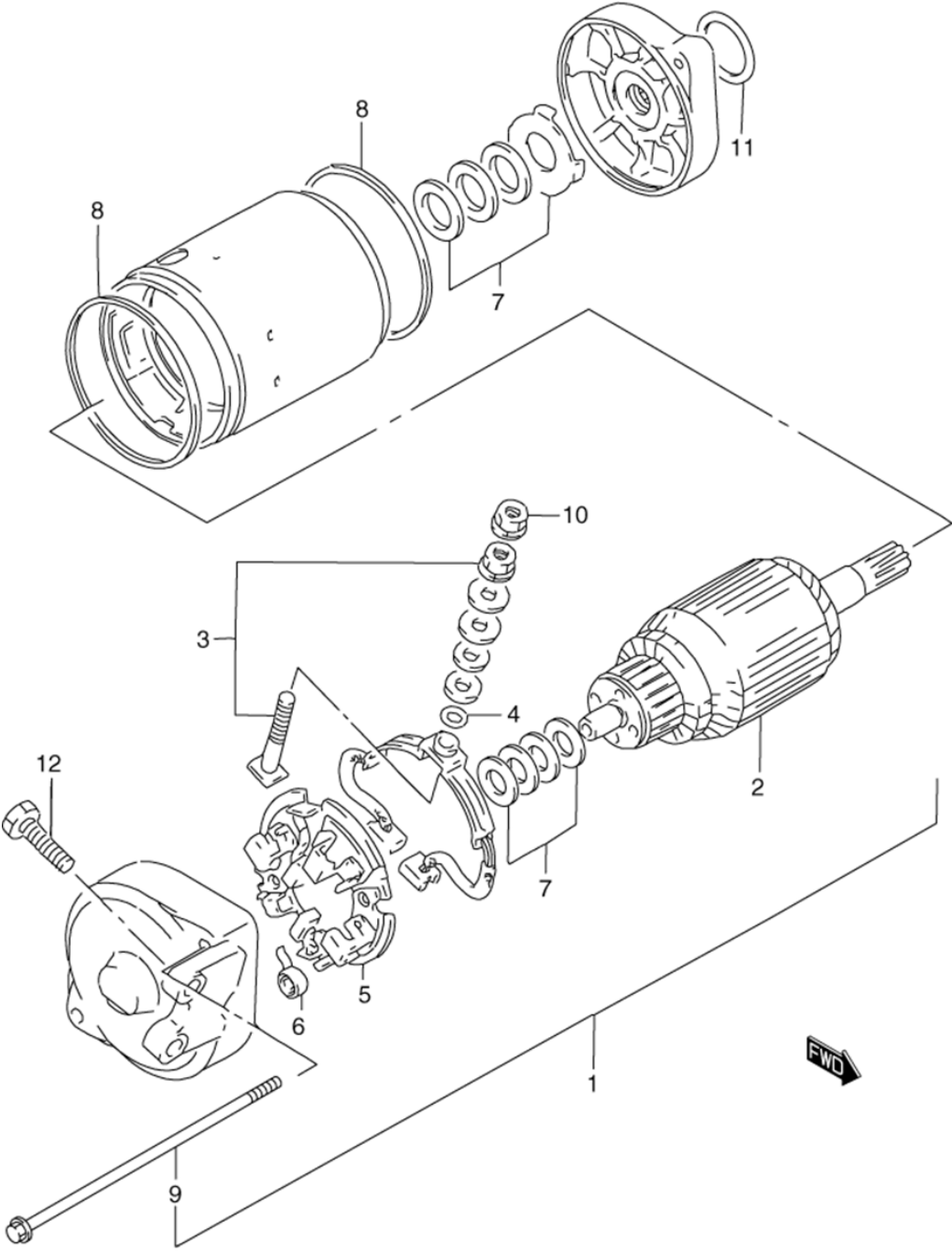


Table 17A. STARTING MOTOR (MODEL R S)

Reference Number	Quantity Required	Part Number	Description
1	1	31100-47D01	MOTOR ASSY, STARTING
2	1	31310-15D00	.ARMATURE
3	1	31130-38B00	.TERMINAL SET, BRUSH
4	1	31143-49040	.O RING
5	1	31132-38B00	.HOLDER SET, BRUSH
6	1	31135-38B00	.SPRING, BRUSH
7	1	31170-19B10	.WASHER SET
8	2	31264-32E00	.O RING
9	2	31280-26D00	.BOLT
10	1	08361-3506A	NUT
11	1	09280-24003	.O RING (D:3.0,ID:24.5)
12	2	07130-0620B	BOLT

FIG.17B

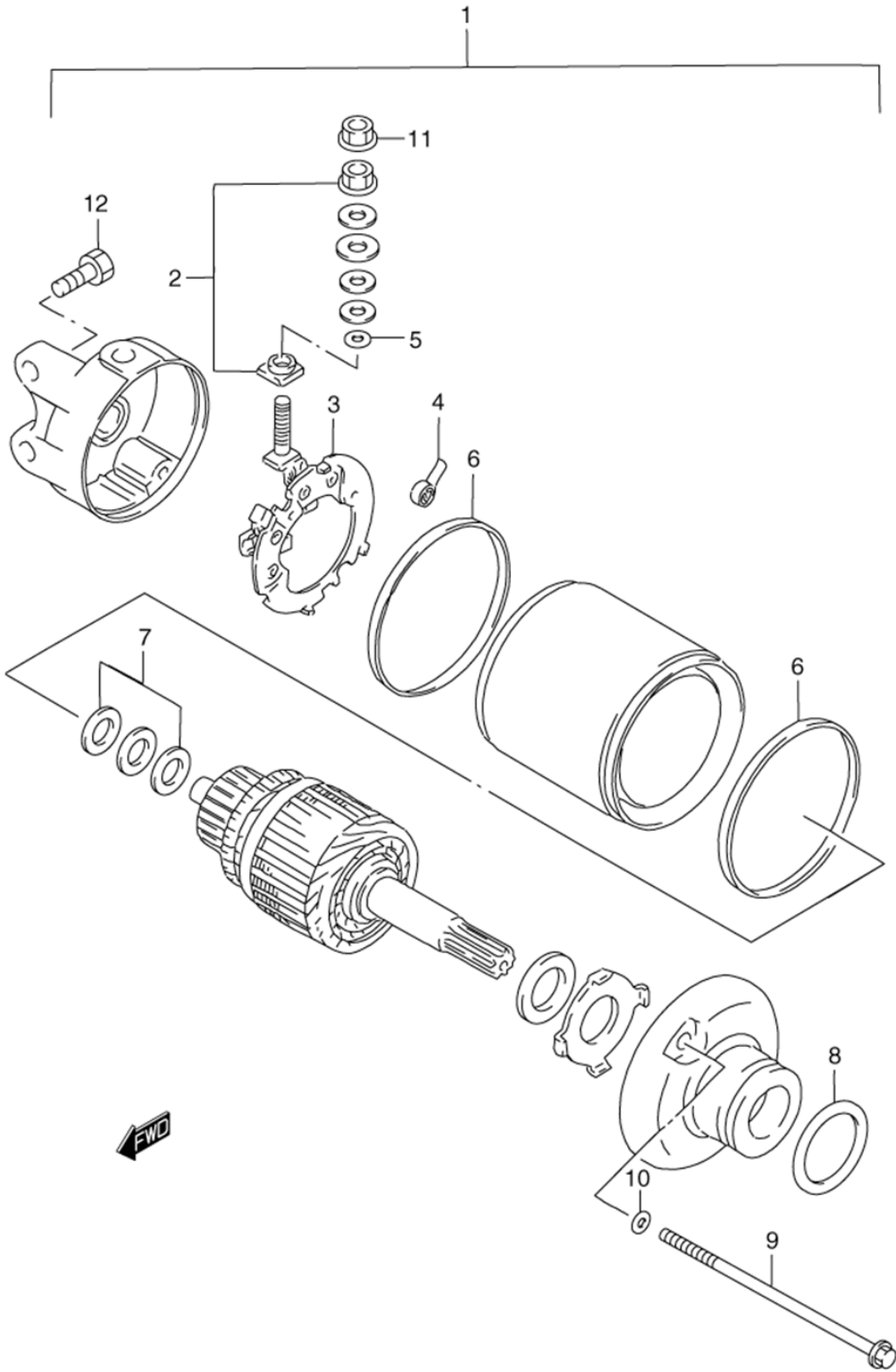


Table 17B. STARTING MOTOR (MODEL T)

Reference Number	Quantity Required	Part Number	Description
1	1	31100-15D10	MOTOR ASSY, STARTING
2	1	31130-13E00	.BRUSH TERMINAL SET
3	1	31132-33E00	.BRUSH HOLDER SET
4	2	31135-31300	.SPRING, BRUSH
5	1	31143-49040	.O RING
6	2	31156-13E00	..O RING
7	1	31170-19B10	.WASHER SET
8	2	31264-13E00	.O RING
9	2	31280-15D10	.SET BOLT ASSY
10	1	09280-24003	.O RING (D:3.0,ID:24.5)
11	1	08361-3506A	NUT
12	2	07130-0620B	BOLT

FIG.18

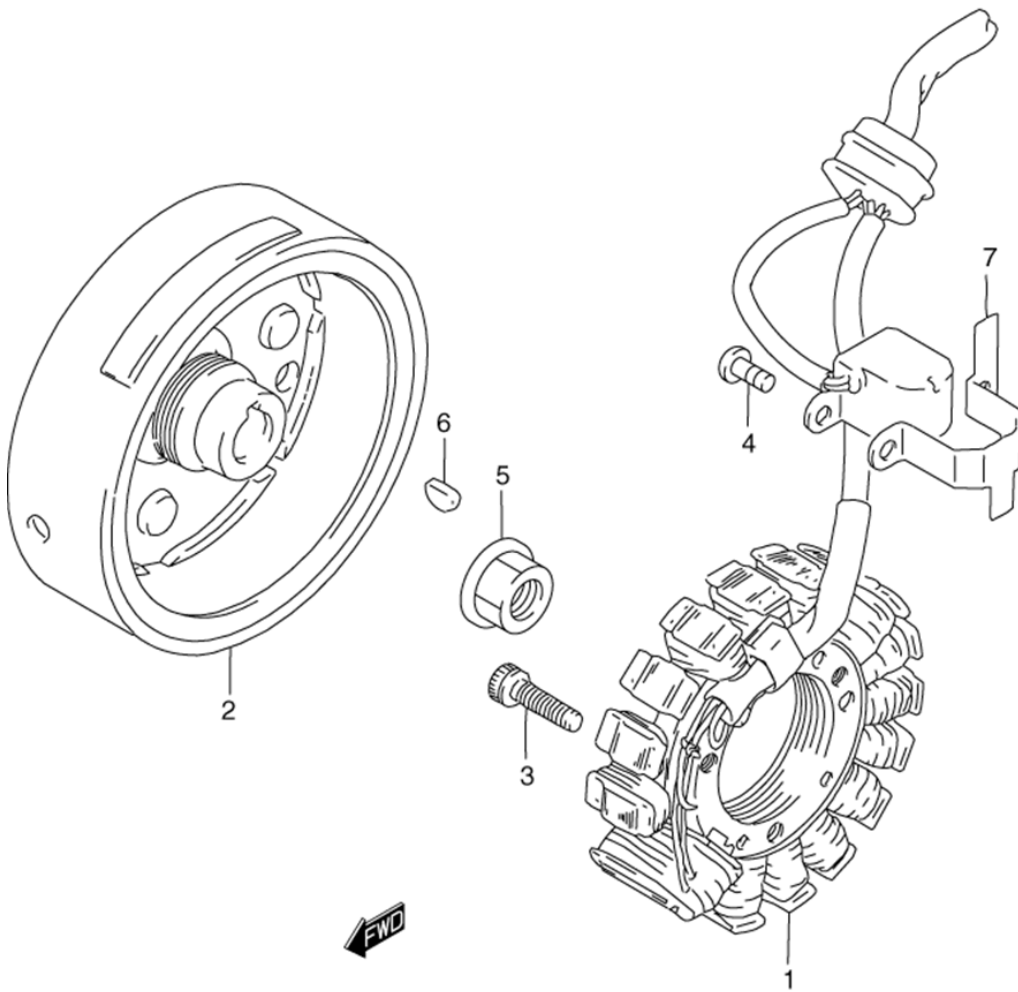


Table 18. MAGNETO (MODEL L M N)

Reference Number	Quantity Required	Part Number	Description
1	1	32101-14D10	STATOR ASSY
2	1	32102-14D00	ROTOR
3	3	07130-06257	BOLT
4	2	02112-05107	.SCREW, REGULATOR
5	1	09159-14015	NUT, MAGNETO ROTOR
6	1	09420-04008	KEY
7	1	32371-14D01	CLAMP, MAG PULSER LEAD

FIG.18A

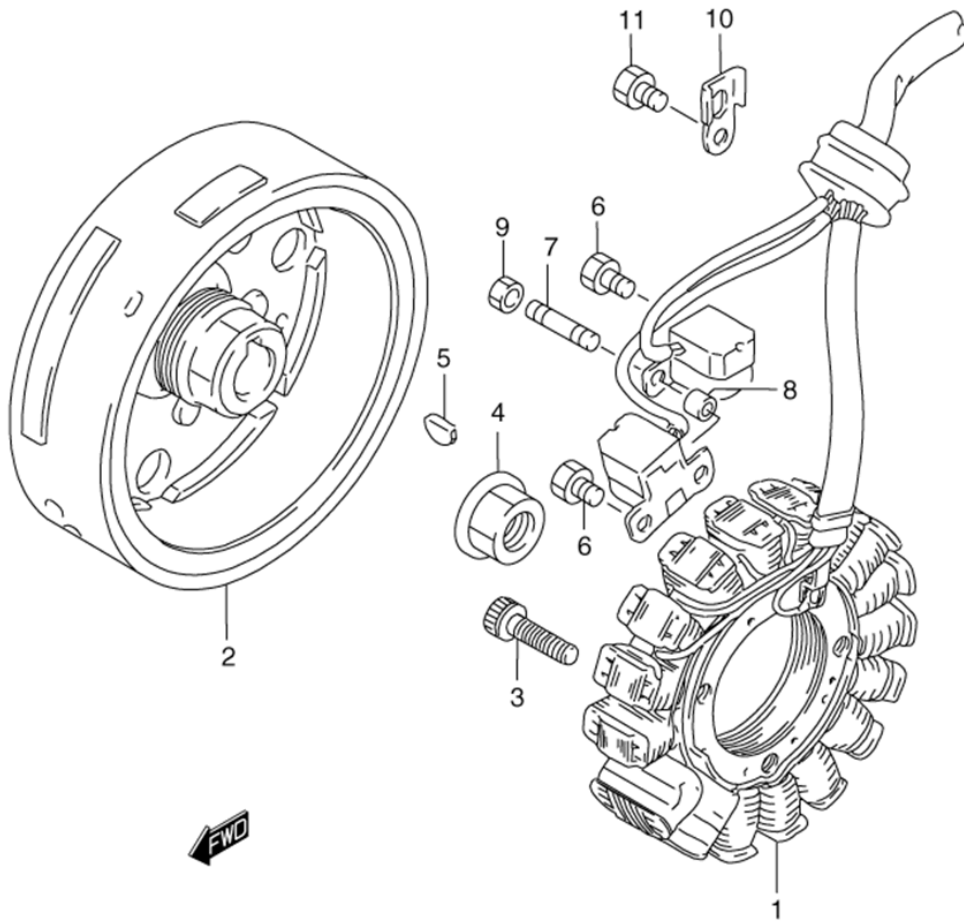


Table 18A. MAGNETO (MODEL P)

Reference Number	Quantity Required	Part Number	Description
1	1	32101-14D40	STATOR ASSY
2	1	32102-14D30	ROTOR
3	3	07130-06257	BOLT
4	1	09159-14015	NUT, MAGNETO ROTOR
5	1	09420-04008	KEY
6	2	09100-05019	BOLT (5X10)
7	1	09108-05014	STUD BOLT
8	1	09180-05053	SPACER (5.5X9.5X6.5)
9	1	08310-00057	.NUT
10	1	31497-45000	CLAMP, GEAR SHIFT
11	1	09100-05019	BOLT (5X10)

FIG.18B

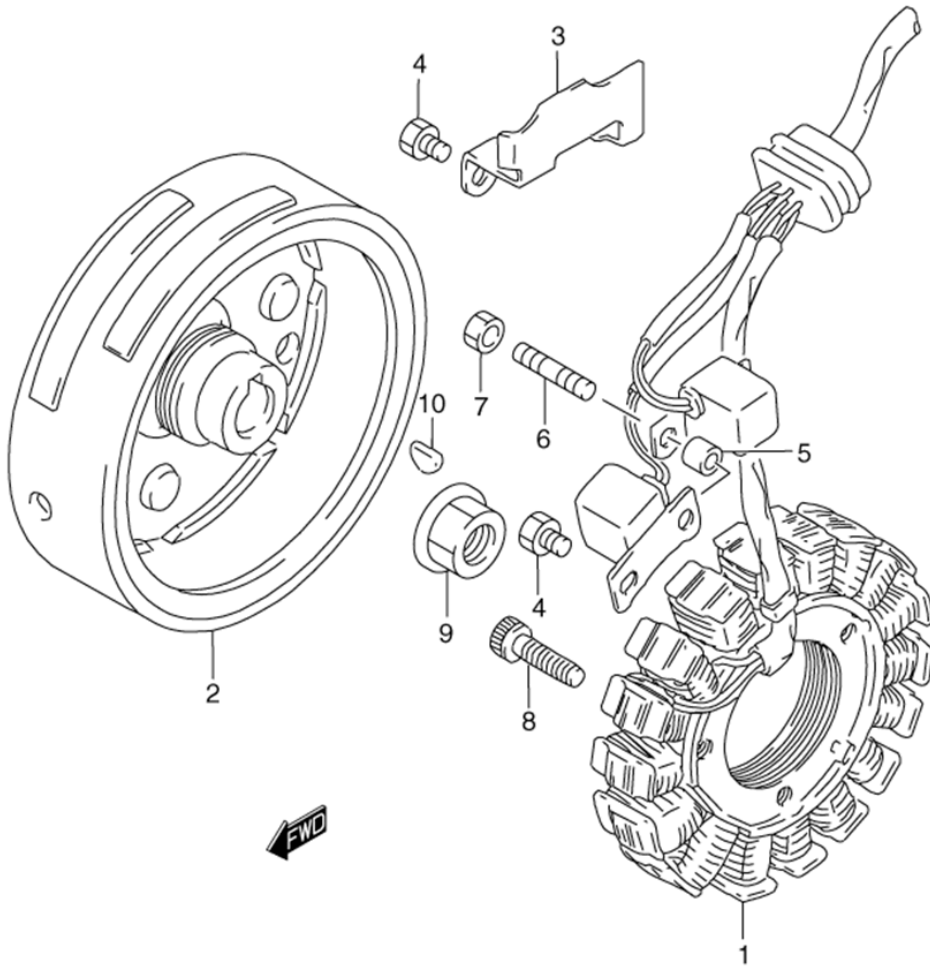


Table 18B. MAGNETO (MODEL R S T)

Reference Number	Quantity Required	Part Number	Description
1	1	32101-15D01	STATOR
2	1	32102-14D50	RUTOR
3	1	32371-15D00	CLAMP, MAGNETO LEAD WIRE
4	3	09100-05019	BOLT (5X10)
5	1	09180-05053	SPACER (5.5X9.5X6.5)
6	1	09108-05014	STUD BOLT
7	1	08310-0005A	NUT
8	3	07130-0625B	BOLT
9	1	09159-14015	NUT, MAGNETO ROTOR
10-1	1	09420-04008	KEY
10-2	1	09420-04008	KEY

FIG.19

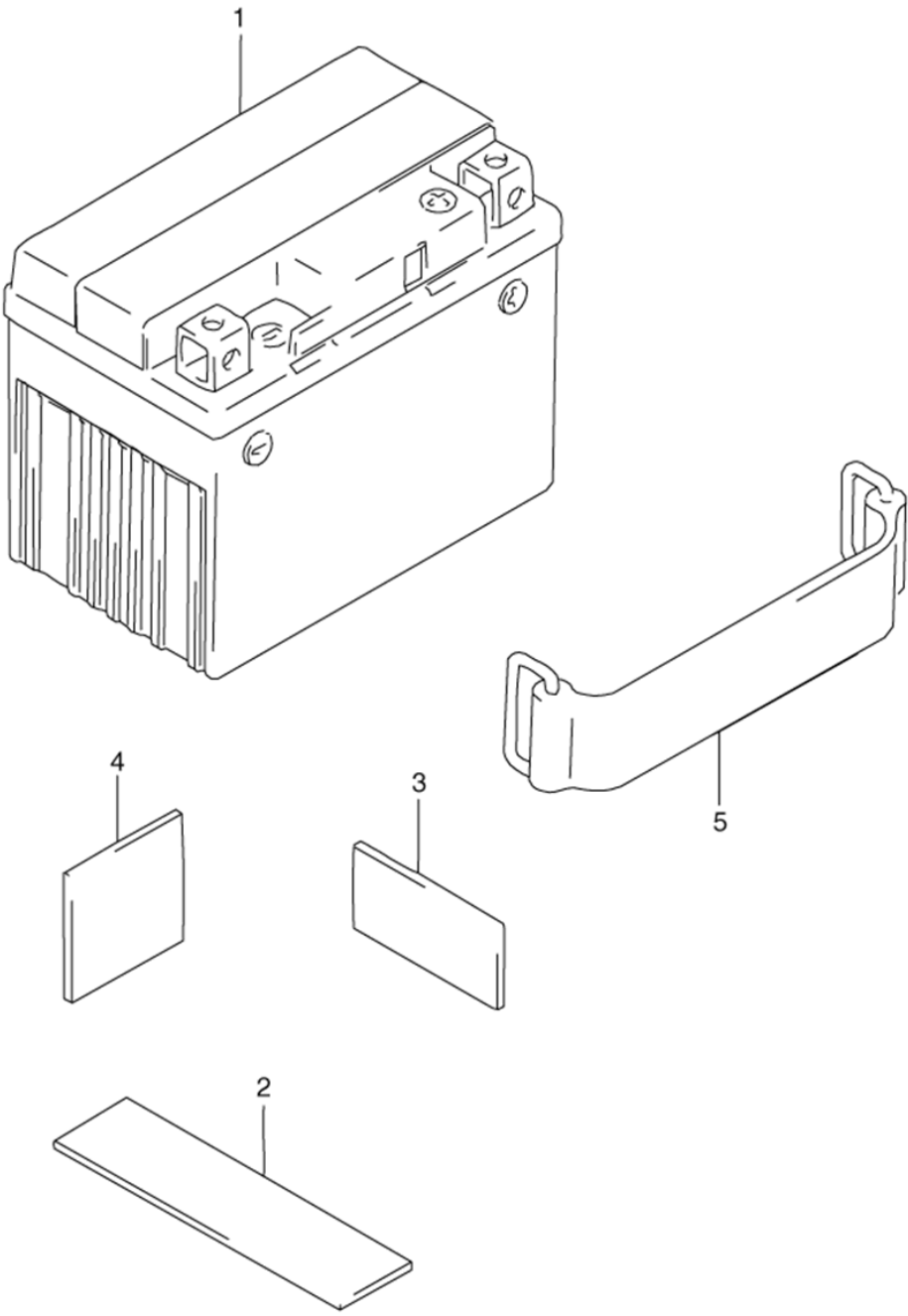


Table 19. BATTERY (MODEL L M N P)

Reference Number	Quantity Required	Part Number	Description
1-1	1	33610C14D20J000	YT4L-BS ABTTERY
1-2	1	33610C14D20J000	YT4L-BS ABTTERY
2-1	2	33651-37000	PROTECTOR (170X95X3.0)
2-2	2	33651-37000	PROTECTOR (170X95X3.0)
3-1	2	33651-37000	PROTECTOR (170X95X3.0)
3-2	2	33651-37000	PROTECTOR (170X95X3.0)
4-1	1	33651-37000	PROTECTOR (170X95X3.0)
4-2	1	33651-37000	PROTECTOR (170X95X3.0)
5	1	09462-00043	BAND

FIG.19A

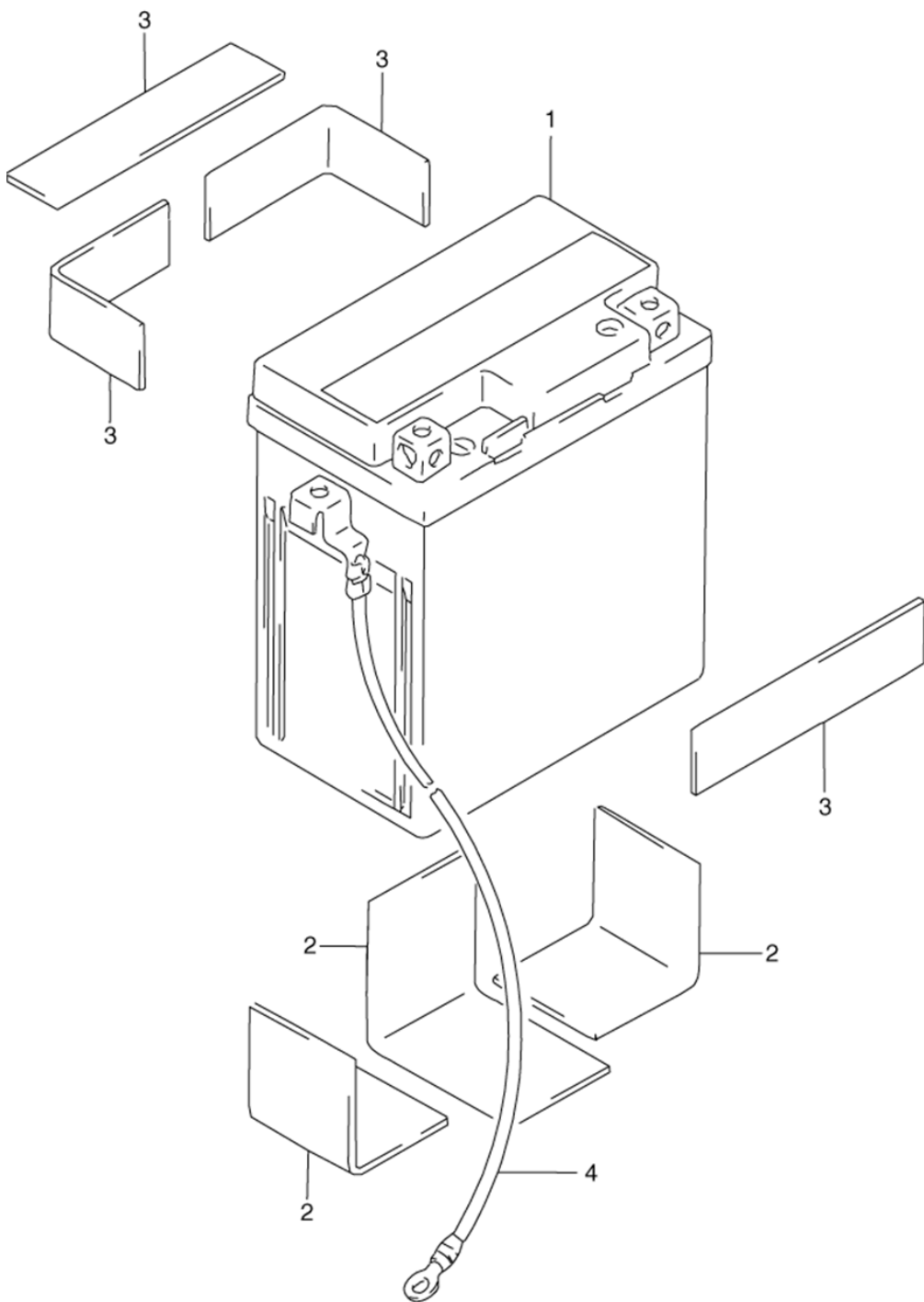


Table 19A. BATTERY (MODEL R S T)

Reference Number	Quantity Required	Part Number	Description
1	1	33610-15D20	BATTERY ASSY
2	3	33651-37000	PROTECTOR (170X95X3.0) (CUT 40X85CUT 20X90)
4	1	33860-15D01	WIRE, BATTERY MINUS (-)

FIG.20

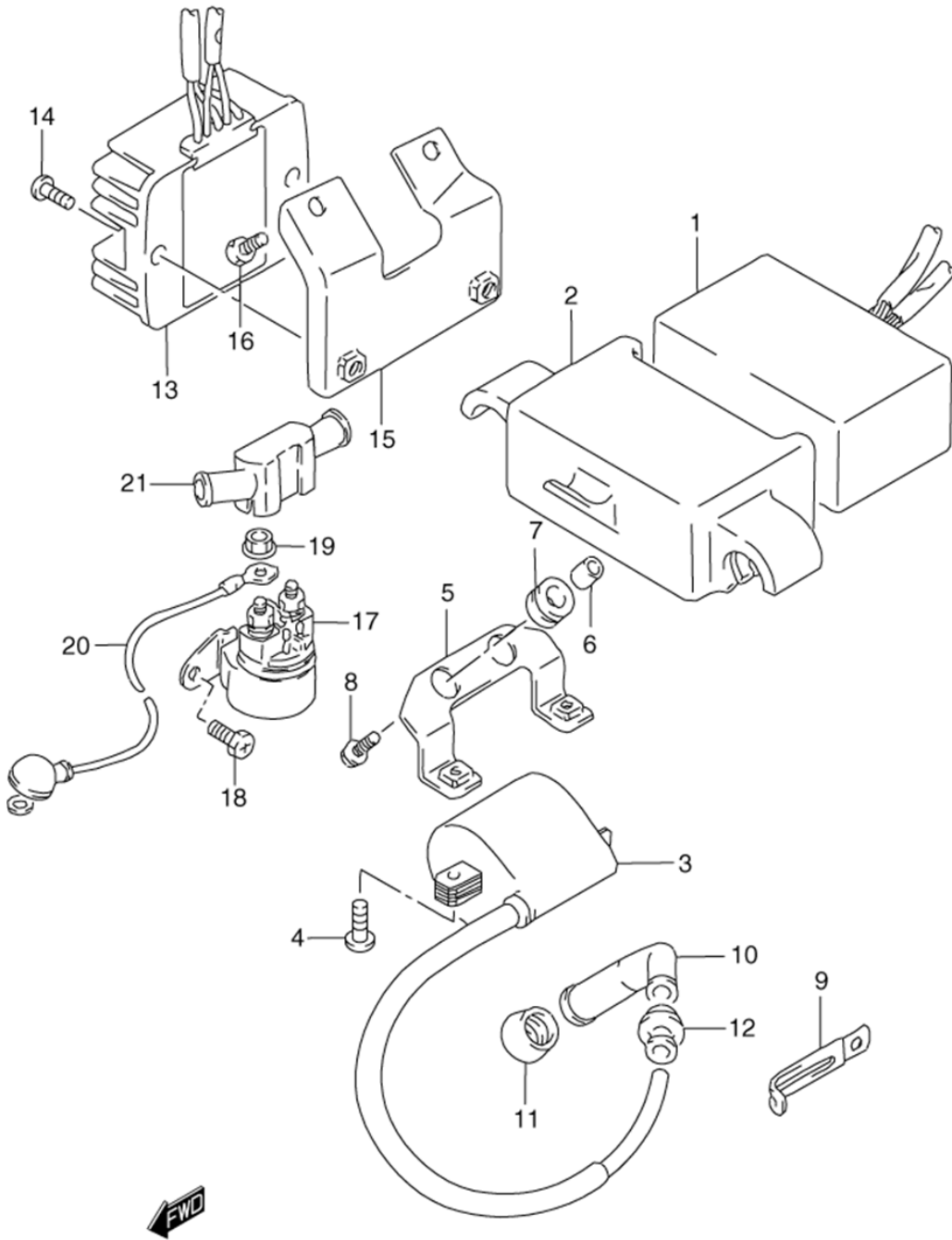


Table 20. ELECTRICAL

Reference Number	Quantity Required	Part Number	Description
1-1	1	32900-14D10	CDI UNIT
1-2	1	32900-14D40	CDI UNIT
1-3	1	32900-14D50	CDI UNIT
2	1	32980-14D00	CUSHION
3	1	33410-14D00	COIL ASSY, IGNITION
4-1	2	02112-0620A	SCREW
4-2	2	02112-0620A	SCREW
5	1	33416-14D00	BRACKET, IGNITION COIL
6	2	09180-06258	SPACER (6.5X9X6.7)
7	2	09320-09036	CUSHION
8-1	2	01114-06166	BOLT
8-2	2	01560-0616A	BOLT
9-1	1	09404-06432	.CLAMP, SW LEADS
9-2	1	09404-06432	.CLAMP, SW LEADS
10	1	33510-43010	CAP, SPARK PLUG OUTER
11-1	1	33541-47D00	SEAL, SPARK PLUG CAP (SIDE)
11-2	1	33541-47D00	SEAL, SPARK PLUG CAP (SIDE)
12	1	33542-38B00	SEAL, HIGH TENSION CORD
13-1	1	32800-14D11	RECTIFIER
13-2	1	32800-14D11	RECTIFIER
14-1	2	02112-0616A	.SCREW
14-2	2	02112-0616A	.SCREW
15-1	1	32831-14D03	BRACKET, RECTIFIER
15-2	1	32831-14D03	BRACKET, RECTIFIER
16-1	2	01500-0616A	BOLT
16-2	2	01550-0616A	BOLT
17	1	31800-49100	RELAY, STARTING MOTOR
18	2	09128-06044	SCREW (6X10)
19	2	08361-3506A	NUT
20-1	1	33850-00A01	WIRE, STARTING LEAD
20-2	1	33850-00A01	WIRE, STARTING LEAD
21	1	31861-24500	CAP, STARTER RELAY TERMINAL

FIG.21

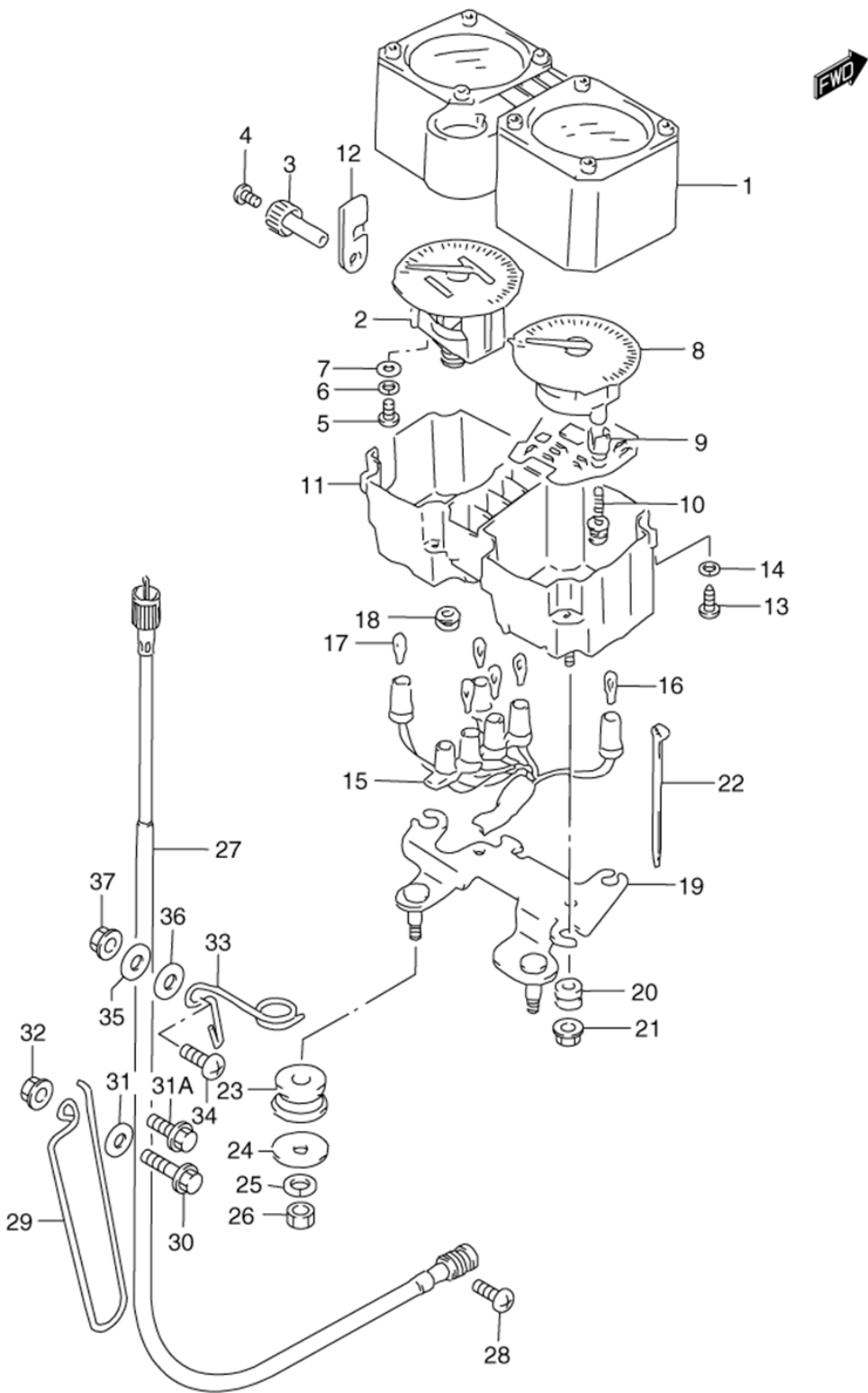


Table 21. SPEEDOMETER

Reference Number	Quantity Required	Part Number	Description
1	1	34150-14D20	HOOD, METER
2	1	34110-14D00	SPEEDOMETER (MILE/KILO)
3	1	34124-44B30	.KNOB, TRIP
4	1	34184-12D00	.SCREW, TRIP KNOB
5	2	02112-03103	SCREW
6	2	08321-21033	.LOCK WASHER
7	2	08322-01033	WASHER
8	1	34210-14D00	TACHOMETER
9	2	34187-14A00	SPACER
10	2	02112-74253	SCREW
11	1	34111-44B10	CASE, METER
12	1	34196-14A00	GROMMET
13-1	4	03112-05123	SCREW
13-2	4	03112-05123	SCREW
14	4	08321-0105A	WASHER,LOCK
15	1	34170-44B11	SOCKET, METER
16	1	09471-12085	BULB (12V,3W)
17	5	09471-12100	BULB (12V,1.7W)
18	1	34194-14A00	CAP
19	1	34950-14D00	BRACKET, METER
20	3	34996-43410	CUSHION, SPEEDOMETER
21-1	3	08310-0005A	NUT
21-2	3	08310-0005A	NUT
22-1	1	09404-10417	CLAMP
22-2	1	09404-10417	CLAMP
23	2	34956-31001	CUSHION
24	2	09160-08135	WASHER (8.5X28X1.6)
25-1	2	08321-0108A	WASHER,LOCK
25-2	2	09162-08008	WASHER
26-1	2	08310-0008A	NUT
26-2	2	08310-0008A	NUT
27-1	1	34910-12E00	CABLE ASSY, SPEEDOMETER
27-2	1	34910-12E00	CABLE ASSY, SPEEDOMETER
27-3	1	34910-12E00	CABLE ASSY, SPEEDOMETER
28-1	1	02112-05164	.SCREW
28-2	1	02112-0516A	SCREW, METER CABLE
29	1	34938-14D30	GUIDE, METER CABLE NO.2
30-1	1	01550-06207	BOLT
30-2	1	01550-0620A	BOLT
31-1	1	09160-06066	WASHER, THROTTLE LEVER
31-2	1	09160-06066	WASHER, THROTTLE LEVER
31A	1	09116-06167	BOLT
32-1	1	08319-31067	.NUT, AXLE HOLDER
32-2	1	08316-1006B	NUT
33	1	34938-14D21	GUIDE, METER CABLE NO.1
34-1	1	02142-06167	SCREW
34-2	1	02142-0616A	SCREW
35	1	09160-06109	WASHER, 6.5X18X1.6
36	1	09169-06053	WASHER, CA HOLDER (6.3X16X1)
37-1	1	08310-00067	.NUT
37-2	1	08310-0006A	NUT, NO.1

FIG.22

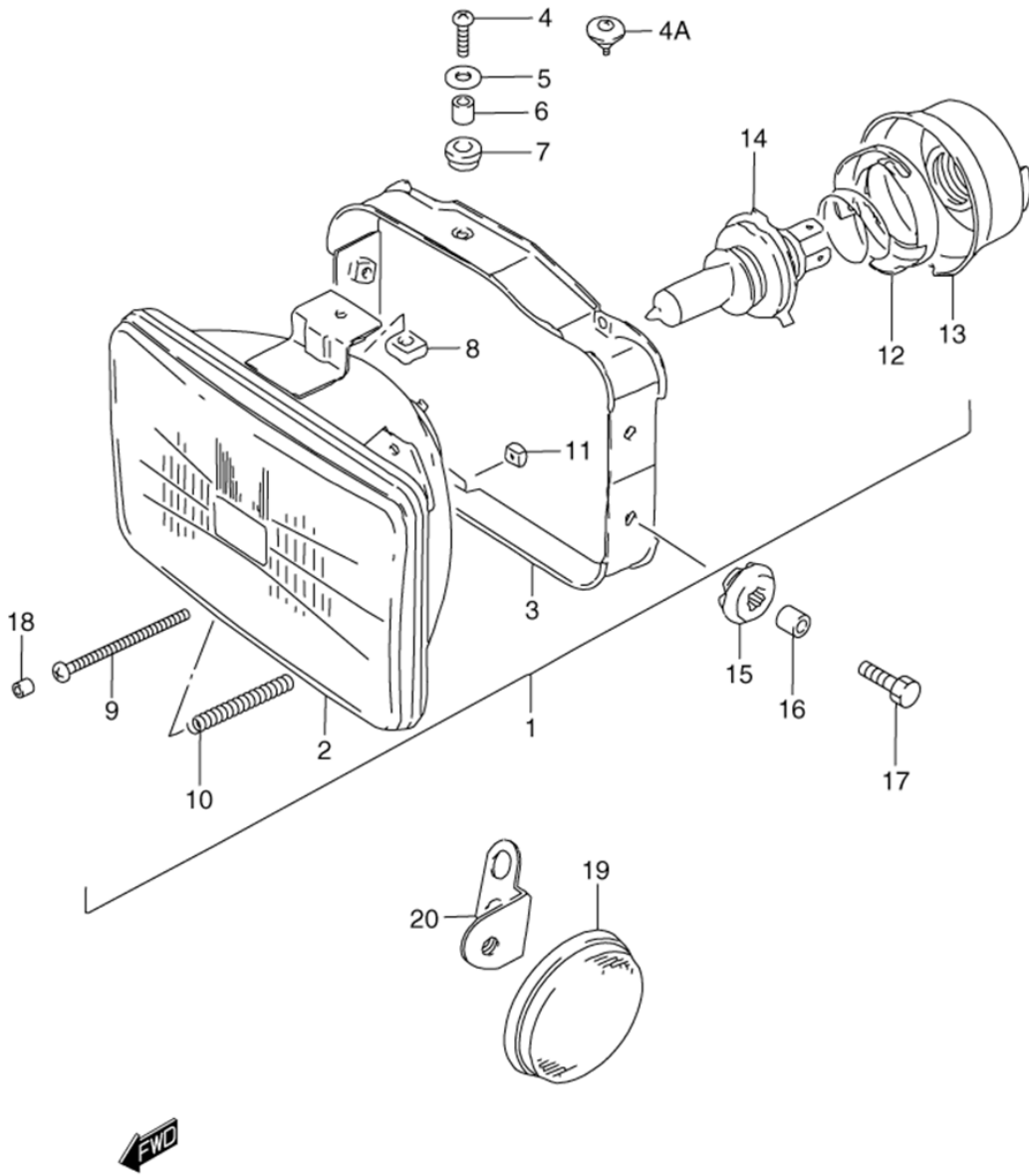


Table 22. HEADLAMP

Reference Number	Quantity Required	Part Number	Description
1-1	1	35100-14A32-999	HEADLAMP ASSY
1-2	1	35100-14A32-999	HEADLAMP ASSY
2-1	1	35121-14A31	.LAMP UNIT
2-2	1	35121-14A31	.LAMP UNIT
3	1	35141-14A00	.RING, MOUNTING
4	1	02112-05207	.SCREW
4A	1	35136-38A00	.SCREW, MOUNTING
5	1	09160-05045	WASHER, VACUUM SW VALVE
6	1	35133-14A00	.SPACER
7	1	35139-45230	.CUSHION
8	1	35135-45900	.NUT
9-1	2	35151-45900	.SCREW
9-2	2	35151-45900	.SCREW
10	2	35154-49200	.SPRING
11	2	35135-45600	.NUT
12	1	35136-01A00	.HOLDER, BULB
13	1	35173-01440	.COVER, SOCKET
14	1	09471-12060	BULB (12V60/55W,H4)
15	4	09320-09018	CUSHION
16	4	09180-06138	SPACER (6.3X9.1X11.5)
17-1	4	09116-06115	BOLT
17-2	4	09116-06167	BOLT
18	1	35158-43400	.CAP
19	2	35950-14A00	REFLEX REFLECTOR ASSY, FR SID
20-1	1	35956-14D01	BRACKET, REFLECTOR RH
20-2	1	35956-14D01	BRACKET, REFLECTOR RH
20-3	1	35957-14D01	BRACKET, REFLECTOR LH
20-4	1	35957-14D01	BRACKET, REFLECTOR LH

FIG.23

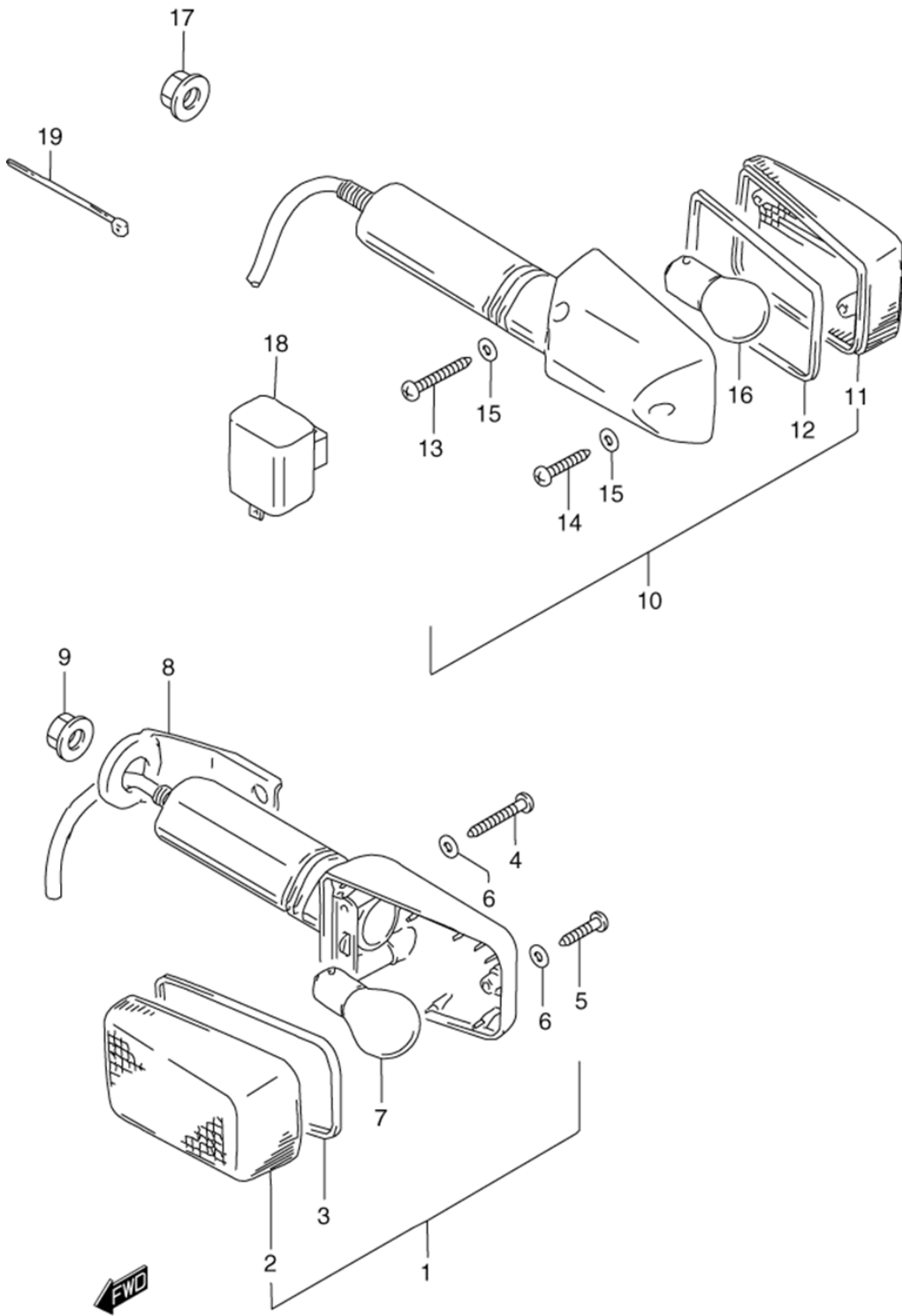


Table 23. TURN SIGNAL LAMP

Reference Number	Quantity Required	Part Number	Description
1-1	2	35601-01D10	LAMP ASSY, FRONT TURNSIGNAL
1-2	2	35601-29EC0	LAMP ASSY, FRONT TURN SIGNAL
2	2	35612-17C20	.LENS
3	2	35613-27A00	.GASKET
4	4	35623-27A00	.TAPPING SCREW, 3X30
5	2	35725-40511	.TAPPING SCREW, 3X20
6	6	35627-27A02	.GASKET
7	2	09471-12045	.BULB (12V,21W)
8-1	1	35670-14D12	BRACKET, FRONT RH
8-2	1	35670-14D12	BRACKET, FRONT RH
8-3	1	35680-14D12	BRACKET, FRONT LH
8-4	1	35680-14D12	BRACKET, FRONT LH
9-1	2	08316-1010A	NUT
9-2	2	08316-1010A	NUT
10-1	2	35603-14D10	LAMP ASSY, REAR TURNSIGNAL
10-2	2	35603-14D10	LAMP ASSY, REAR TURNSIGNAL
10-3	2	35603-29E90	LAMP ASSY, REAR TURNSIGNAL
10-4	2	35603-29E90	LAMP ASSY, REAR TURNSIGNAL
11	2	35652-17C20	.LENS
12	2	35613-27A00	.GASKET
13	4	35623-27A00	.TAPPING SCREW, 3X30
14	2	35725-40511	.TAPPING SCREW, 3X20
15	6	35627-27A02	.GASKET
16	2	09471-12045	.BULB (12V,21W)
17-1	2	08316-1010A	NUT
17-2	2	08316-1010A	NUT
18-1	1	38610-31X50	RELAY, TURN SIGNAL
18-2	1	38610-31X50	RELAY, TURN SIGNAL
19	2	09407-03401	CLAMP

FIG.24

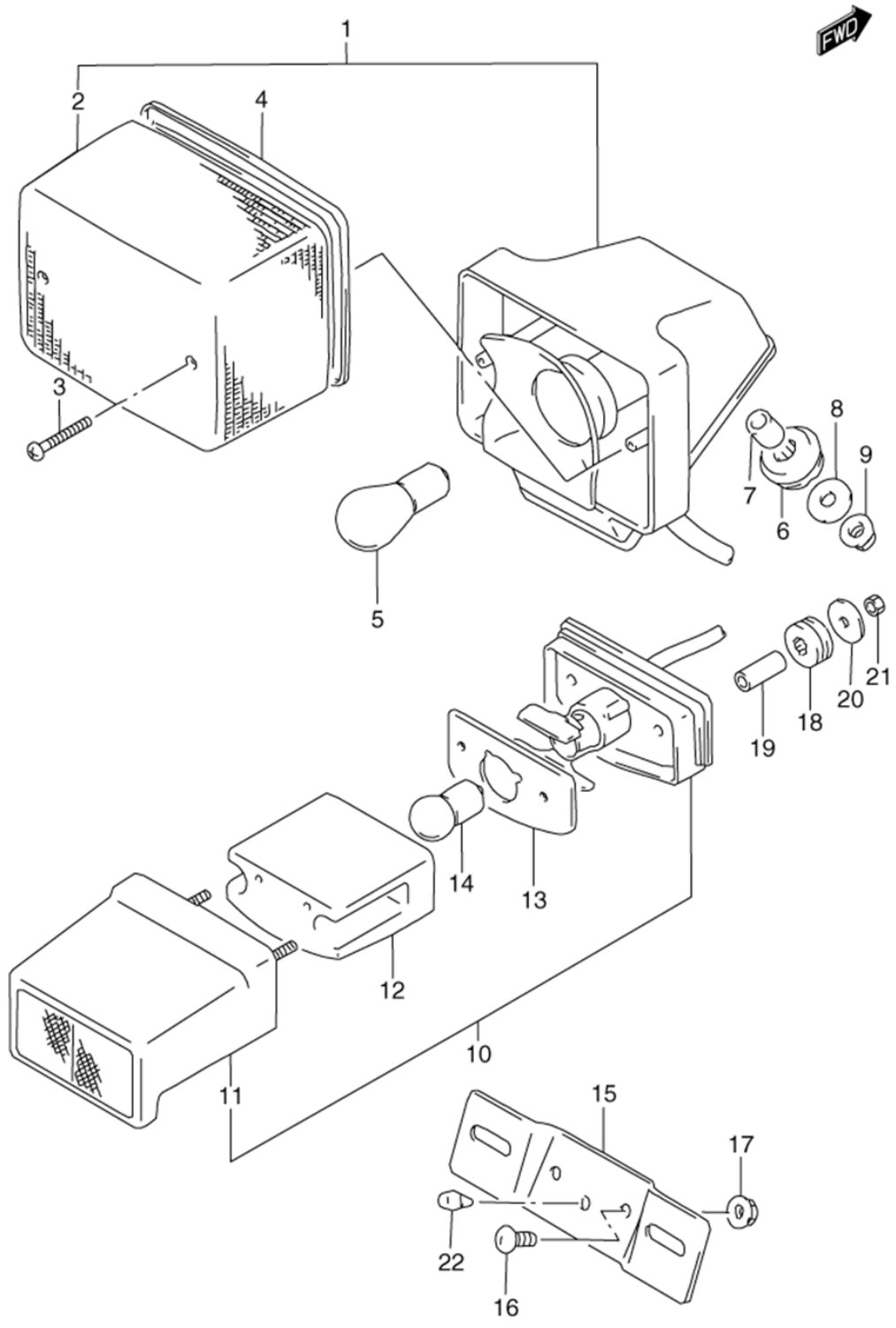


Table 24. TAIL LAMP

Reference Number	Quantity Required	Part Number	Description
1	1	35710-14D30	LAMP ASSY, TAIL
2	1	35712-14D30	.LENS
3-1	2	09125-04501	.SCREW (4X45)
3-2	2	09125-04501	.SCREW (4X45)
4	1	35713-14D30	.GASKET
5	1	09471-12128	BULB (12V,21/5W)
6	3	09320-09028	CUSHION
7	3	09180-06263	SPACER
8-1	3	09160-06088	WASHER (6.5X20X1.60)
8-2	3	09160-06088	WASHER (6.5X20X1.60)
8-3	3	09160-06088	WASHER (6.5X20X1.60)
9-1	3	08316-1006B	NUT
9-2	3	08310-0006A	NUT, NO.1
10	1	35910-14D00	LAMP ASSY, LICENSE
11	1	35917-14D00	.REFLECTOR & COVER
12	1	35912-38A30	.LENS
13	1	35913-38A30	.GASKET
14-1	1	09471-12058	.BULB (12V,5W)
14-2	1	09471-12058	.BULB (12V,5W)
15	1	35927-14D30	BRACKET, LICENSE PLATE
16-1	2	02142-0616A	SCREW
16-2	2	02142-0616A	SCREW
17	2	08316-1006B	NUT
18	2	09320-09009	CUSHION
19	2	09180-05061	SPACER (5.5x9.5x28.5)
20-1	2	09160-05046	WASHER
20-2	2	09160-05501	WASHER (5.5X20X1.2)
21	2	08310-0005A	NUT
22	1	09321-06030	CUSHION, PLATE

FIG.25

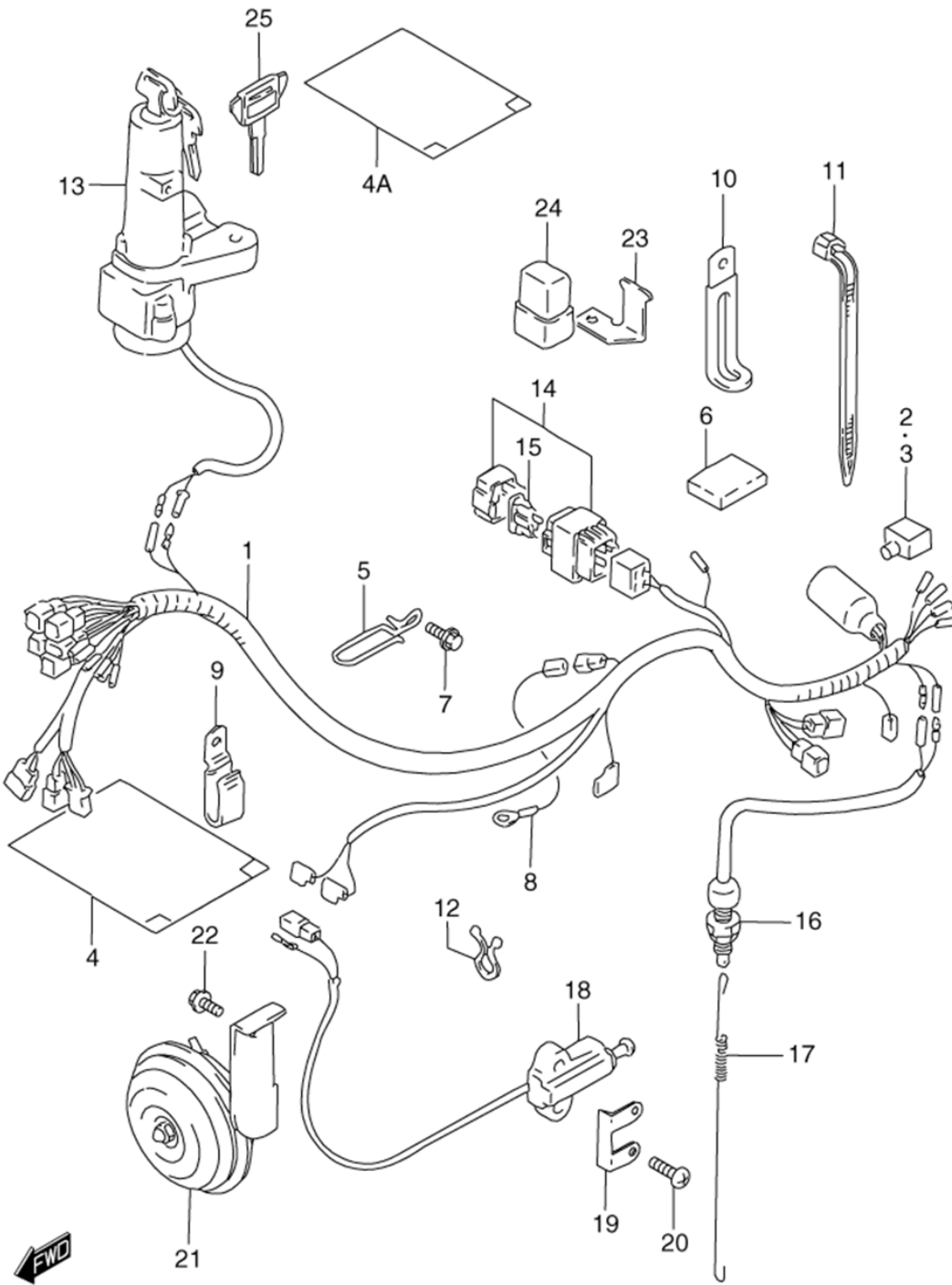


Table 25. WIRING HARNESS

Reference Number	Quantity Required	Part Number	Description
1-1	1	36610-14D21	HARNESS, WIRING
1-2	1	36610-14D50	HARNESS, WIRING
1-3	1	36610-15D80	HARNESS, WIRING
2-2	1	33624-15D00	.CAP, BATTERY (+)
3	1	33624-03A00	.CAP, BATTERY
4-1	1	36618-15D20	COVER, WIRING HARNESS
4-2	1	36618-15D20	COVER, WIRING HARNESS
4-3	1	36618-15D20	COVER, WIRING HARNESS
4-4	1	36618-15D20	COVER, WIRING HARNESS
4-5	1	36618-15D20	COVER, WIRING HARNESS
4-6	1	36618-15D20	COVER, WIRING HARNESS
4A	1	36618-15D20	COVER, WIRING HARNESS
5-2	1	36619-15D11	GUIDE, WIRE HARNESS
6	1	36920-14D00	CUSHION, HEADLAMP
7-1	2	01550-0610A	BOLT
7-2	2	01550-0610A	BOLT
8-1	1	36851-05D00	WIRE, IGNITION COIL
8-2	1	36851-05D00	WIRE, IGNITION COIL
9	1	09403-06307	CLAMP
10-1	1	09404-06432	.CLAMP, SW LEADS
10-2	3	09404-06432	.CLAMP, SW LEADS
10-3	1	09404-06432	.CLAMP, SW LEADS
10-4	2	09404-06434	CLAMP (L:95)
10-5	1	09404-06434	CLAMP (L:95)
10-6	3	09404-08420	CLAMP, L:120
10-7	2	09404-08419	CLAMP (L:97)
11-2	2	09407-03401	CLAMP
11-3	2	09407-10404	.CLAMP
11-4	15	09407-14403	.CLAMP, BATTERY CABLE
11-5	8	09407-18402	CLAMP (L:165)
11-6	3	09407-25401	CLAMP (L:235)
12	1	09408-00012	CLAMP, STOP SWITCH LEAD
13-1	1	37110-03D01	LOCK ASSY, STEERING
13-2	1	37110-03D01	LOCK ASSY, STEERING
14-1	1	36740-04701	FUSE ASSY
14-2	1	36740-24B01	BOX ASSY, FUSE
14-3	1	36740-24B01	BOX ASSY, FUSE
15-1	1	09481-15101	.FUSE (15A)
15-2	1	09481-20101	.FUSE (20A)
16-1	1	37740-14D00	SWITCH ASSY, STOP
16-2	1	37740-31D00	SWITCH ASSY, STOP LAMP
17	1	09443-06080	SPRING
18-1	1	37840-12X50	SWITCH ASSY, SIDE STAND
18-2	1	37840-12X50	SWITCH ASSY, SIDE STAND
18-3	1	37840-12X50	SWITCH ASSY, SIDE STAND
20-1	2	02142-0620A	SCREW
20-2	2	02142-0620A	SCREW
21-1	1	38500-14D02	HORN ASSY
21-2	1	38500-14D02	HORN ASSY
22-1	1	01550-0616A	BOLT
22-2	1	01550-0616A	BOLT
23	1	36744-14D01	BRACKET, RELAY
24-1	1	38740-24X50	RELAY ASSY, FUEL PUMP
24-2	1	38740-24X50	RELAY ASSY, FUEL PUMP

FIG.25

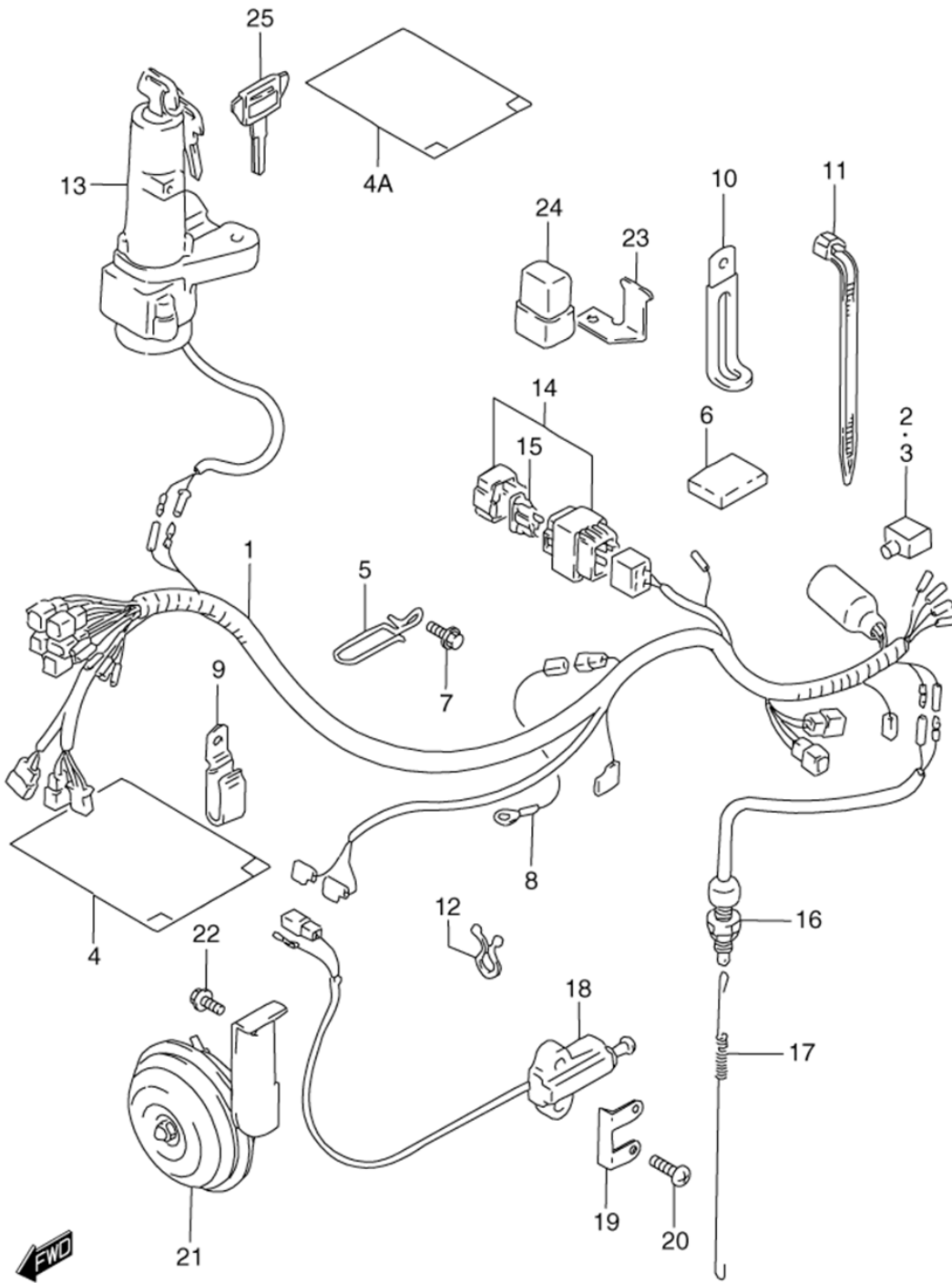


Table 25. WIRING HARNESS (continued)

Reference Number	Quantity Required	Part Number	Description
25-1	1	37146-03A00	KEY, BLANK
25-2	1	37146-03A10	KEY, BLANK
25-3	1	37146-03A20	KEY, BLANK
25-4	1	37146-03A30	KEY, BLANK

FIG.26

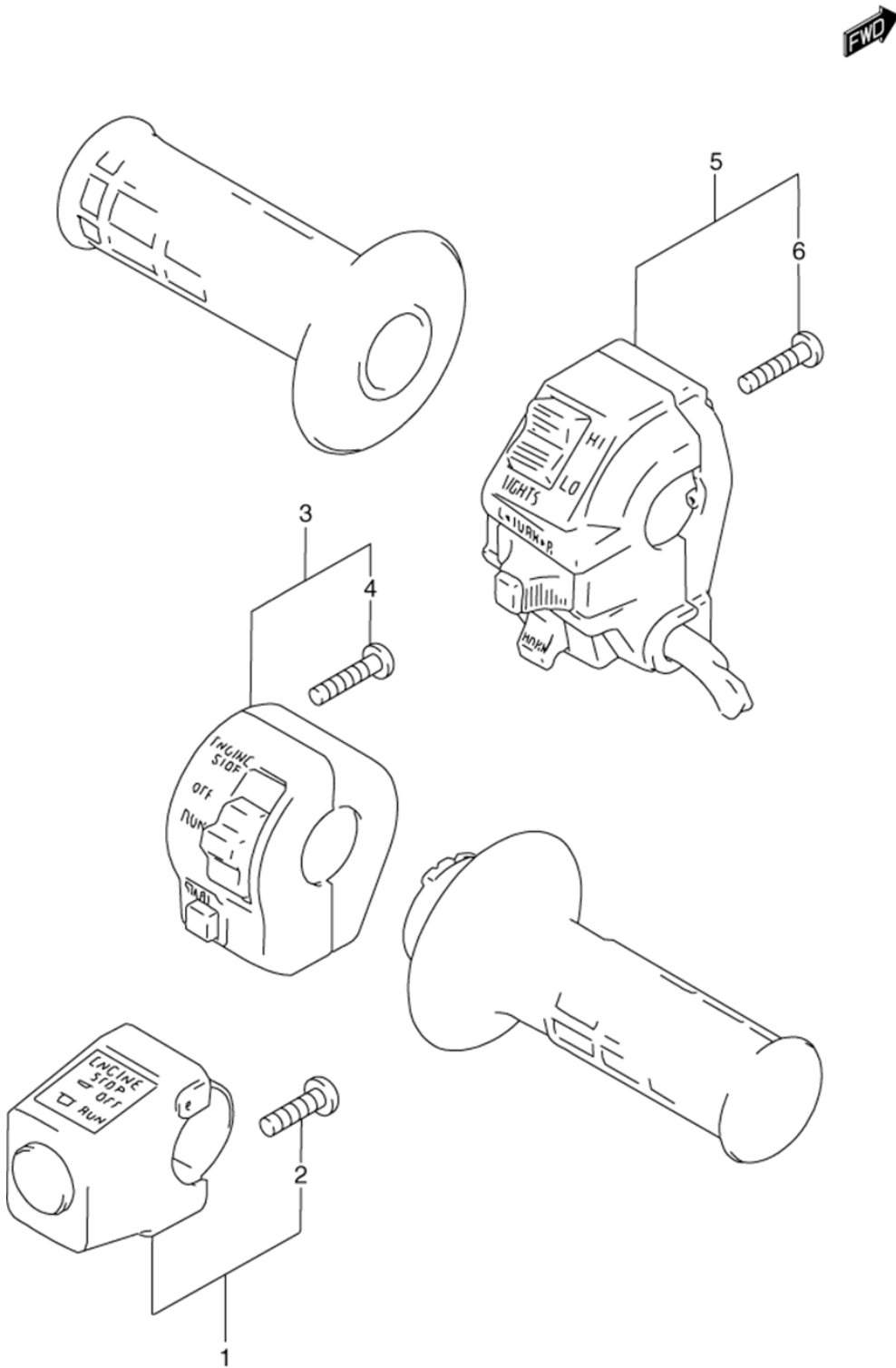


Table 26. HANDLE SWITCH (MODEL L M N P R S)

Reference Number	Quantity Required	Part Number	Description
1	1	37200-14D01	SWITCH ASSY, HANDLE,RH
2	1	02112-0516A	SCREW, METER CABLE
3	1	37200-15D60	SWITCH ASSY, HANDLE RH
4	2	02112-0420A	SCREW
5	1	37400-15D20	SWITCH ASSY, HANDLE LH
6	2	02112-0530B	SCREW

FIG.26A

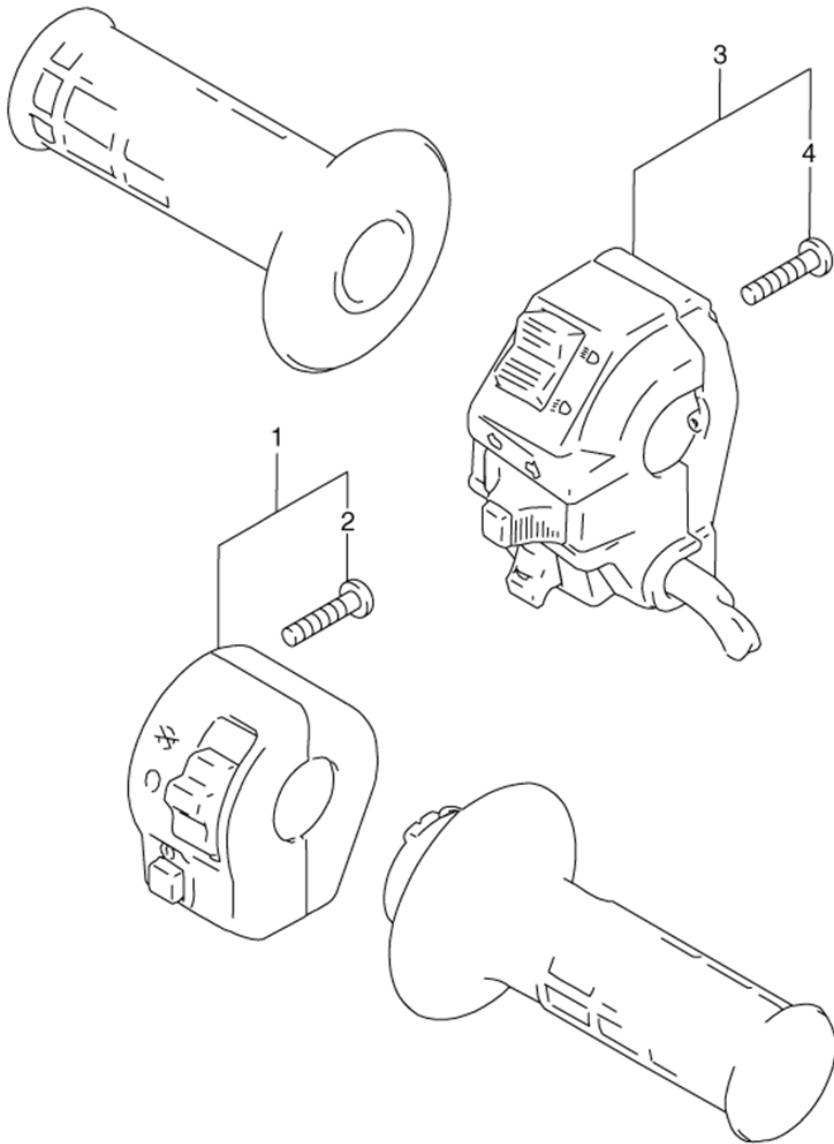


Table 26A. HANDLE SWITCH (MODEL T)

Reference Number	Quantity Required	Part Number	Description
1	1	37200-15D60	SWITCH ASSY, HANDLE RH
2	2	02112-0420A	SCREW
3	1	37400-15D20	SWITCH ASSY, HANDLE LH
4	2	02112-0530B	SCREW

FIG.27

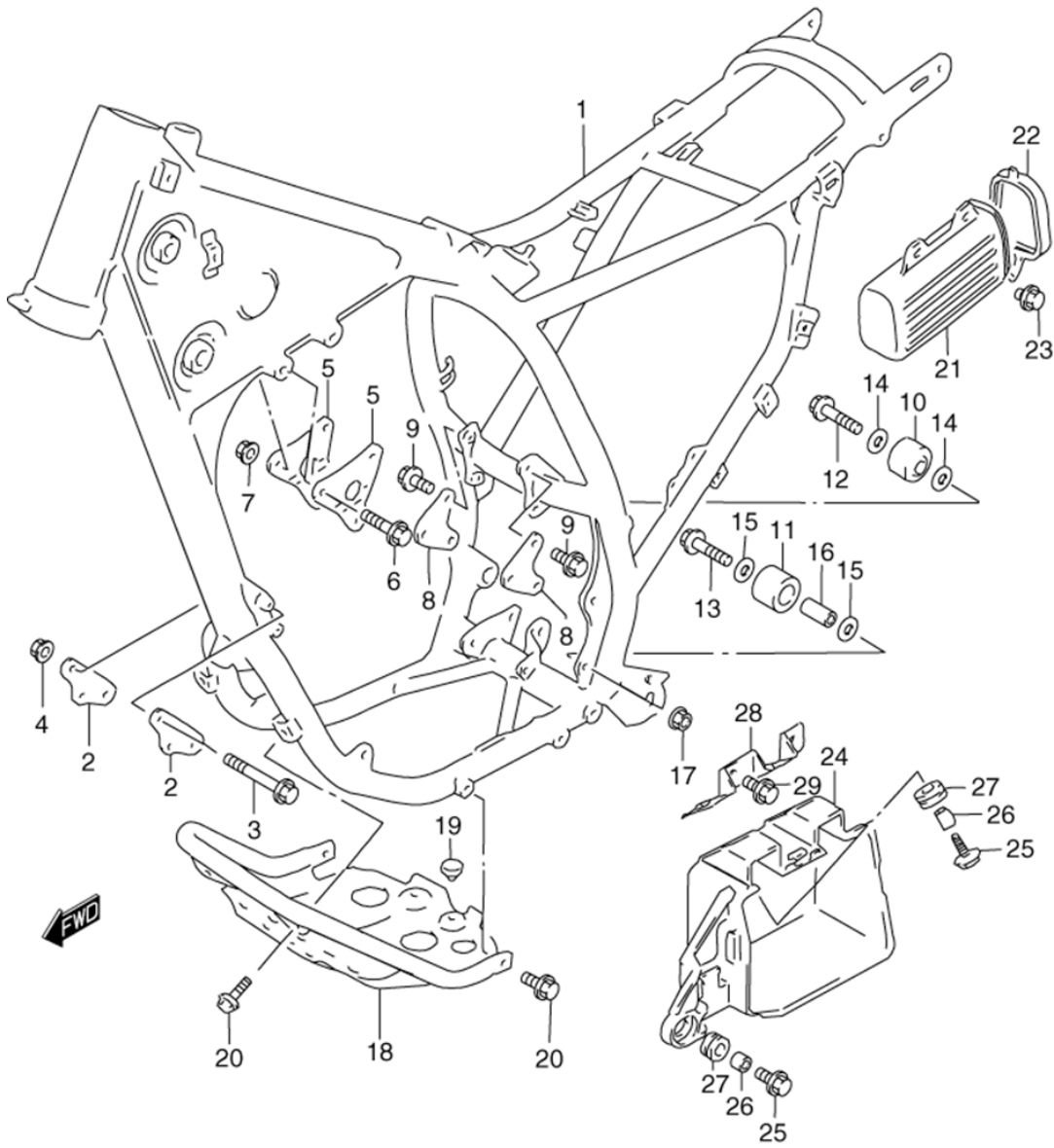


Table 27. FRAME (MODEL L M N P)

Reference Number	Quantity Required	Part Number	Description
2	2	41911-14D01	PLATE, FRONT
3	2	09103-08294	BOLT
4-1	2	08319-31087	NUT
4-2	2	09159-08034	NUT
5	2	41991-14D01	PLATE, UPPER
6	2	09103-08293	BOLT
7-1	2	08319-31087	NUT
7-2	2	09159-08034	NUT
8	2	41971-14D01	PLATE, LOWER (SILVER)
9	2	09103-08283-A05	BOLT
10-1	1	43910-27C11	ROLLER, CHAIN LOWER (MODEL LMODEL M)
10-3	2	43910-27C11	ROLLER, CHAIN LOWER
11	1	43911-01B10	ROLLER, CHAIN LOWER
12	1	09103-08178	BOLT
13-1	1	01550-08457	BOLT
13-2	1	09103-08043	BOLT
14-1	2	09160-08074	WASHER
14-2	2	08211-08121	.WASHER
15-1	2	09160-08130	WASHER (8.5X24X1.6)
15-2	2	09160-08074	WASHER
15-3	2	08211-08121	.WASHER
16	1	09180-08206	SPACER, REAR (8.5X14X28)
17	1	08313-20087	NUT, CRANKCASE STUD BOLT
18-1	1	42510-14D10-13L	PROTECTOR, ENGINE (SILVER)
18-2	1	42510-14D10-13L	PROTECTOR, ENGINE (SILVER)
19	1	09321-10026	CUSHION
20	4	01550-08127	BOLT
21	1	47431-14D00	HOLDER, TOOL
22	1	47432-14D00	CAP, TOOL HOLDER
23	2	09116-06165	BOLT (6X16)
24	1	41541-03D00	HOLDER, BATTERY
25	3	09116-06010	BOLT (6X20)
26	3	09180-06262	SPACER (6.5X9X8.5)
27	3	09320-09016	CUSHION, HOLDER
28	1	41560-14D00	PLATE, BATTERY HOLDER
29	2	01550-0610A	BOLT

FIG.27A

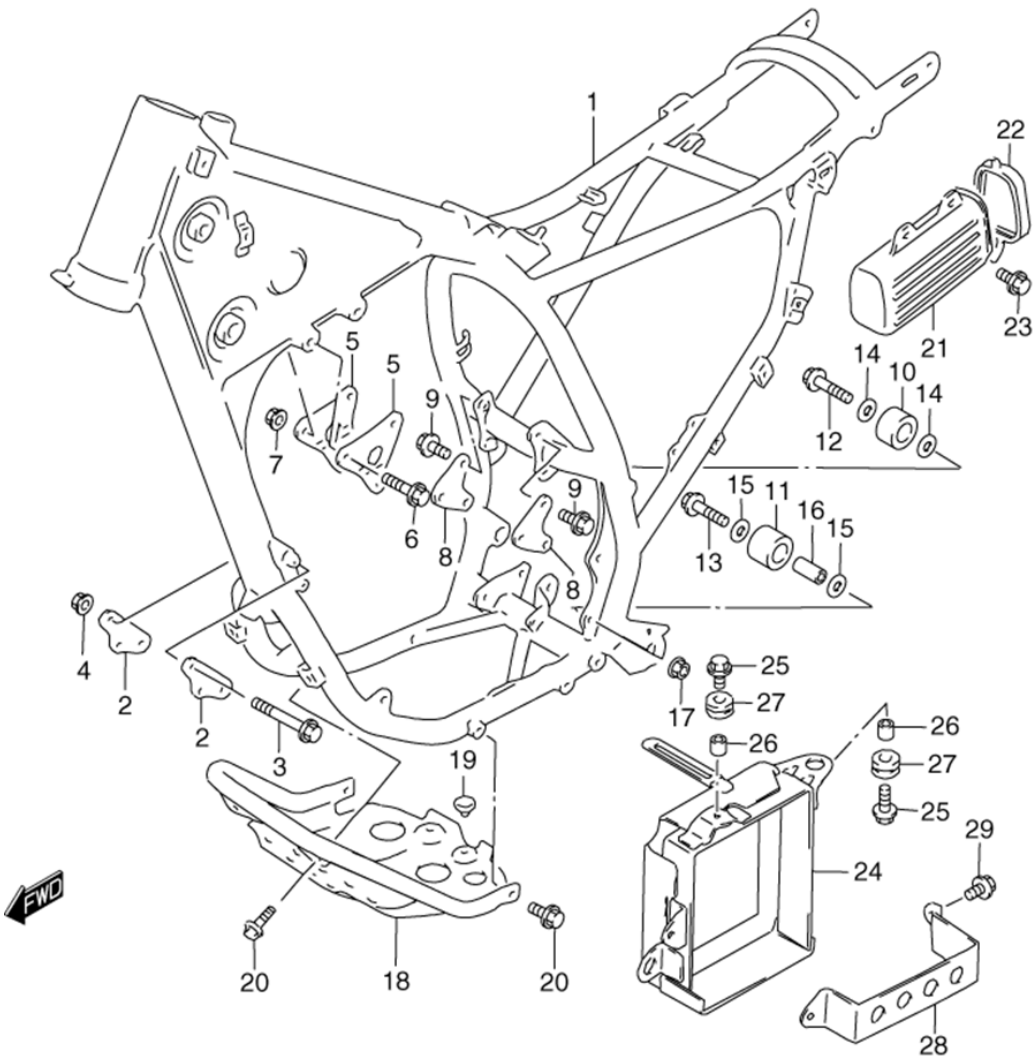


Table 27A. FRAME (MODEL R S T)

Reference Number	Quantity Required	Part Number	Description
1-2	1	41100-15D22-Z16	FRAME (PURPLE)
2	2	41911-14D01	PLATE, FRONT
3	2	09103-08294	BOLT
4	2	09159-08034	NUT
5	2	41991-14D01	PLATE, UPPER
6	2	09103-08293	BOLT
7	2	09159-08034	NUT
8	2	41971-14D01	PLATE, LOWER (SILVER)
9	2	09103-08283-A05	BOLT
10	1	43910-27C11	ROLLER, CHAIN LOWER
11	1	43911-01B10	ROLLER, CHAIN LOWER
12	1	09103-08178	BOLT
13	1	09103-08043	BOLT
14	2	08211-08221	WASHER
15-1	2	09160-08130	WASHER (8.5X24X1.6)
15-2	2	08211-08121	.WASHER
16	1	09180-08206	SPACER, REAR (8.5X14X28)
17	1	08313-2008A	NUT
18	1	42510-14D10-13L	PROTECTOR, ENGINE (SILVER)
19	1	09321-10026	CUSHION
20	4	01550-0812A	PLUG, OIL GALLERY
21	1	47431-14D00	HOLDER, TOOL
22	1	47432-14D00	CAP, TOOL HOLDER
23	2	09116-06165	BOLT (6X16)
24	1	41540-15D00	HOLDER, BATTERY
25	3	09116-06010	BOLT (6X20)
26	3	09180-06285	SPACER, LOWER LH
27	3	09320-10501	CUSHION
28	1	41542-15D00	BAND, BATTERY HOLDER
29	2	09128-06058	BOLT (6X10)

FIG.28

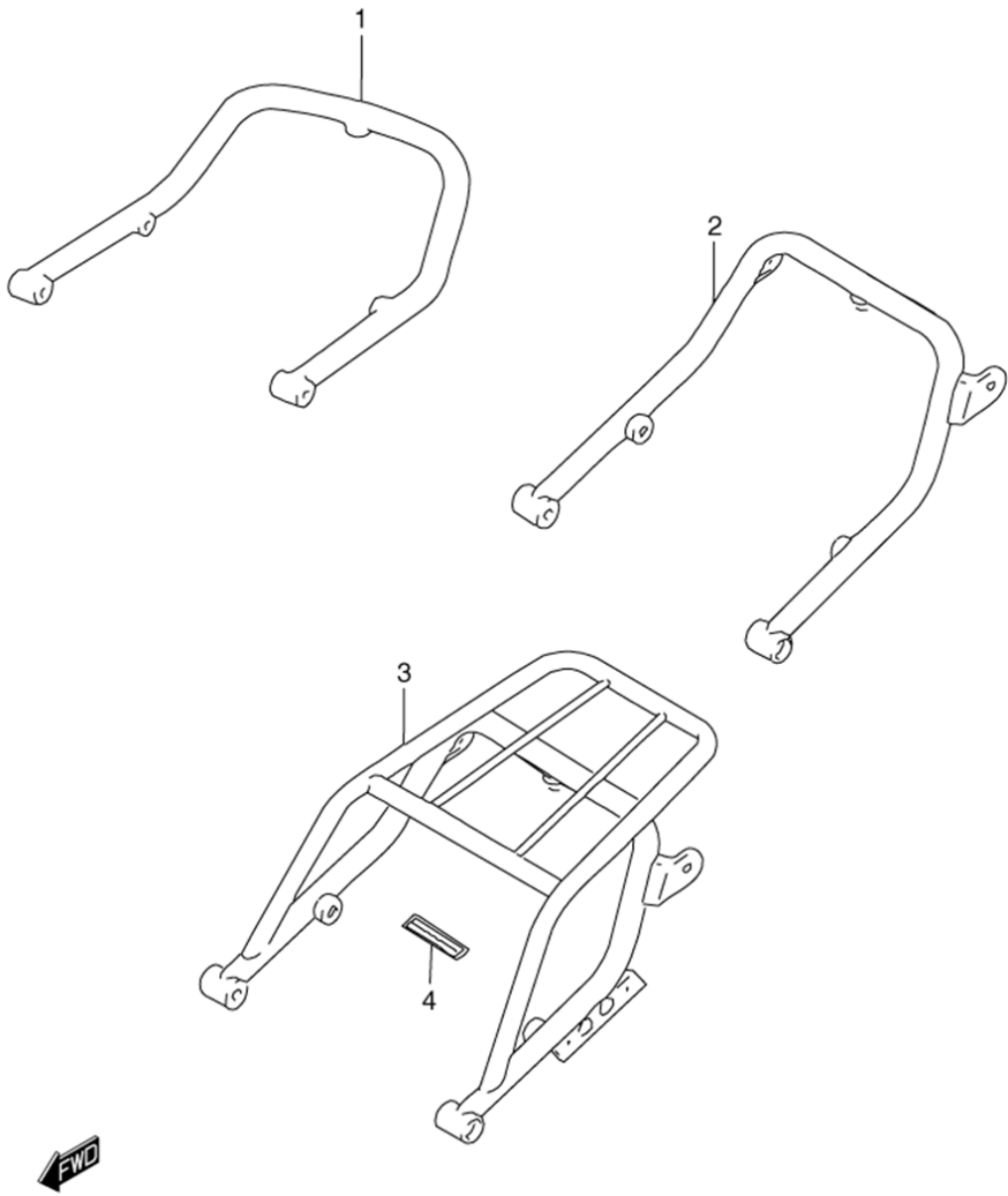


Table 28. REAR GRIP

Reference Number	Quantity Required	Part Number	Description
1-1	1	43980-15D30-0NF	GRIP, REAR (BLUE)
1-2	1	43980-15D30-0NF	GRIP, REAR (BLUE)
2	1	43980-15D30-1TS	GRIP, REAR (WHITE)
4	1	68391-14D00	LABEL

FIG.29

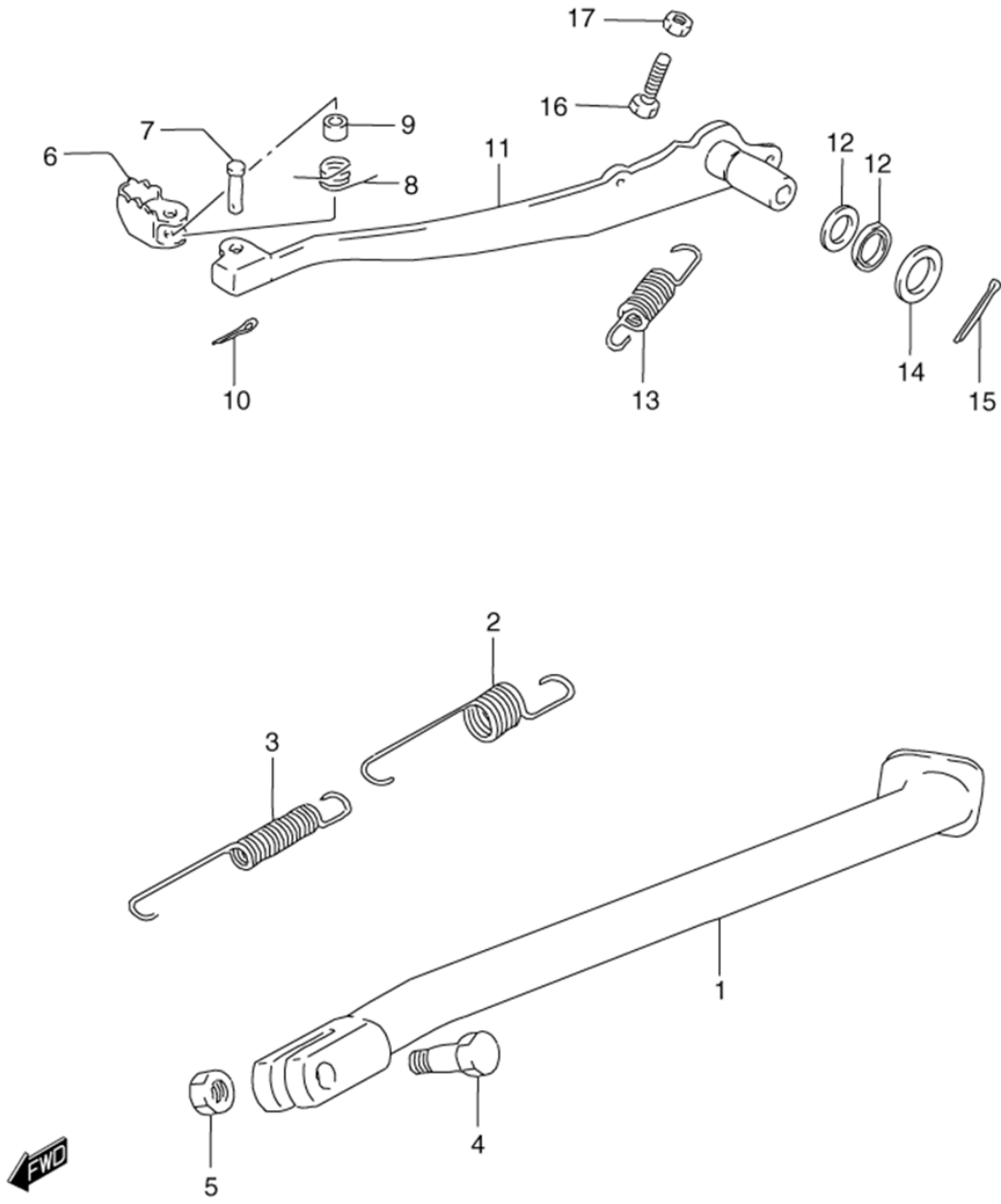


Table 29. STAND REAR BRAKE

Reference Number	Quantity Required	Part Number	Description
1-1	1	42310-14D12-019	STAND, PROP (BLACK)
1-2	1	42310-14D12-019	STAND, PROP (BLACK)
1-3	1	42310-14D12-019	STAND, PROP (BLACK)
2	1	09443-19010	SPRING, OUTER
3	1	09443-12036	SPRING, INNER
4	1	09111-10047	BOLT
5-1	1	08310-00107	NUT
5-2	1	09159-10097	NUT
6	1	43110-14130	PEDAL, BRAKE
7	1	09200-06038	PIN
8-1	1	09444-11005	SPRING
8-2	1	09444-11005	SPRING
9-1	1	09180-06137	SPACER
9-2	1	09180-06257	SPACER
10	1	04111-20158	COTTER PIN
11	1	43120-15D00	ARM, BRAKE PEDAL
12	2	09284-15006	.OIL SEAL
13	1	09443-14025	SPRING
14	1	09160-15002	WASHER
15	1	04111-3030A	COTTER PIN
16	1	09100-06009	BOLT (6X23)
17-1	1	08310-00067	.NUT
17-2	1	08310-0006A	NUT, NO.1

FIG.30

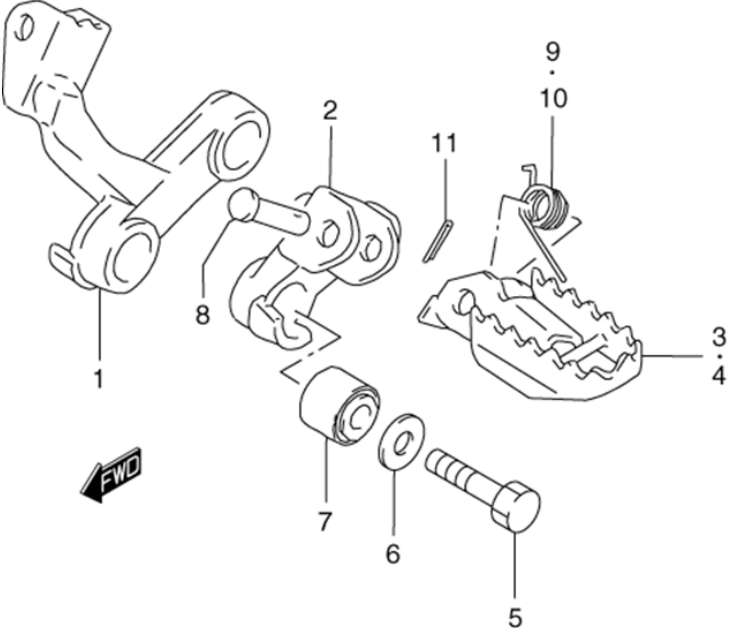
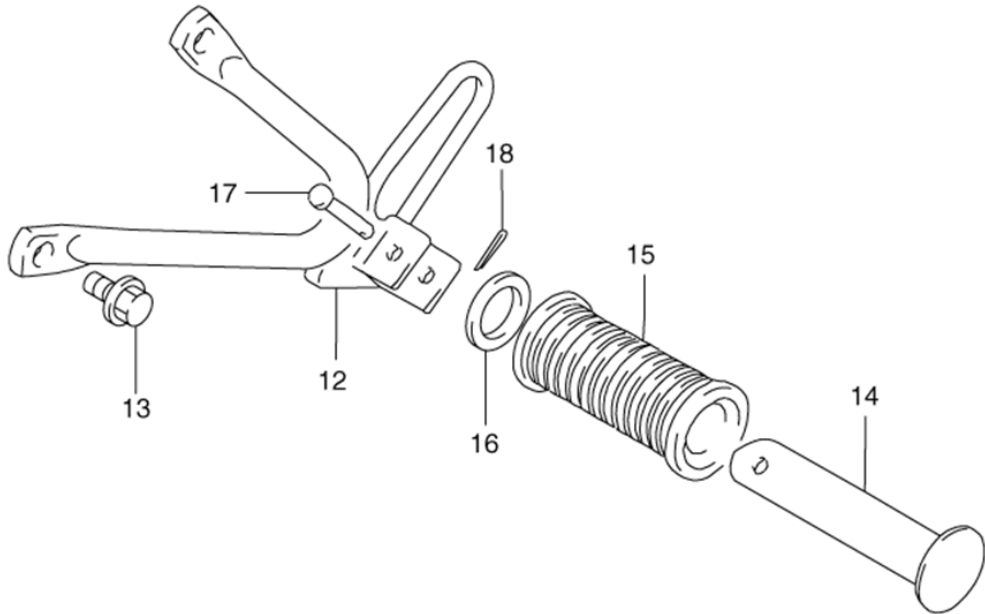


Table 30. FOOTREST

Reference Number	Quantity Required	Part Number	Description
1-1	1	43510-15D00-0NF	BRACKET, FOOTREST RH (BLUE)
1-2	1	43510-15D00-019	BRACKET, FOOTREST RH (BLACK)
2-1	1	43520-15D00-0NF	BRACKET, FOOTREST LH (BLUE)
2-2	1	43520-15D00-019	BRACKET, FOOTREST LH (BLACK)
3-1	1	43550-14D10	FOOTREST,FRONT,
3-2	1	43550-14D10	FOOTREST,FRONT,
3-3	1	43550-14D10	FOOTREST,FRONT,
4-1	1	43560-14D10	FOOTREST, FRONT LH
4-2	1	43560-14D10	FOOTREST, FRONT LH
4-3	1	43560-14D10	FOOTREST, FRONT LH
5-1	4	09100-10283	BOLT, FOOTREST FRONT
5-2	4	09100-10283	BOLT, FOOTREST FRONT
6-1	4	09160-10125	WASHER,10.5X22X
6-2	4	08322-01107	WASHER, THROTTLE DRUM
6-3	4	09160-10143	WASHER,10.5X22X
7	4	09319-10033	BUSH
8	2	09200-10013	PIN
9	1	09448-15008-XC0	SPRING
10	1	09448-15004	SPRING
11	2	04111-2020A	COTTER PIN
12-1	1	43650-14D00-019	BRACKET, PILLION RH (BLACK)
12-2	1	43750-14D00-019	BRACKET, PILLION LH (BLACK)
13-1	4	01550-0820A	BOLT, FUNNEL BRACKET
13-2	4	01550-0820A	BOLT, FUNNEL BRACKET
13-3	4	01550-0820A	BOLT, FUNNEL BRACKET
14	2	43610-03001	BAR, FOOTREST RUBBER
15	2	43612-33200	RUBBER, PILLION FOOTREST
16	2	09160-19024	WASHER (19.5X32X2)
17	2	09200-06033	PIN
18-1	2	04111-2020A	COTTER PIN
18-2	2	04111-20158	COTTER PIN

Table 31. FUEL TANK (MODEL L M)

Reference Number	Quantity Required	Part Number	Description
2	2	68111-14D10-B25	.EMBLEM
5-1	1	44200-03811	CAP SET, FUEL TANK
5-2	1	44200-05820	CAP SET, FUEL TANK
6-1	1	44171-15D00-30H	COVER, FUEL TANK RH (WHITE)
6-2	1	44181-15D00-30H	COVER, FUEL TANK LH (WHITE)
7	2	02142-06107	SCREW
8	2	09136-06002	SCREW
9-1	1	49131-14D20	HEAT SHIELD, FUEL TANK
10	4	02142-0508A	SCREW
11	2	09404-06432	.CLAMP, SW LEADS
12	2	09329-10016	CUSHION
13	2	09116-06172	BOLT
14	2	09320-14013	CUSHION
15	2	09180-06271	SPACER
16	2	09320-10020	CUSHION, LOWER

FIG.31A

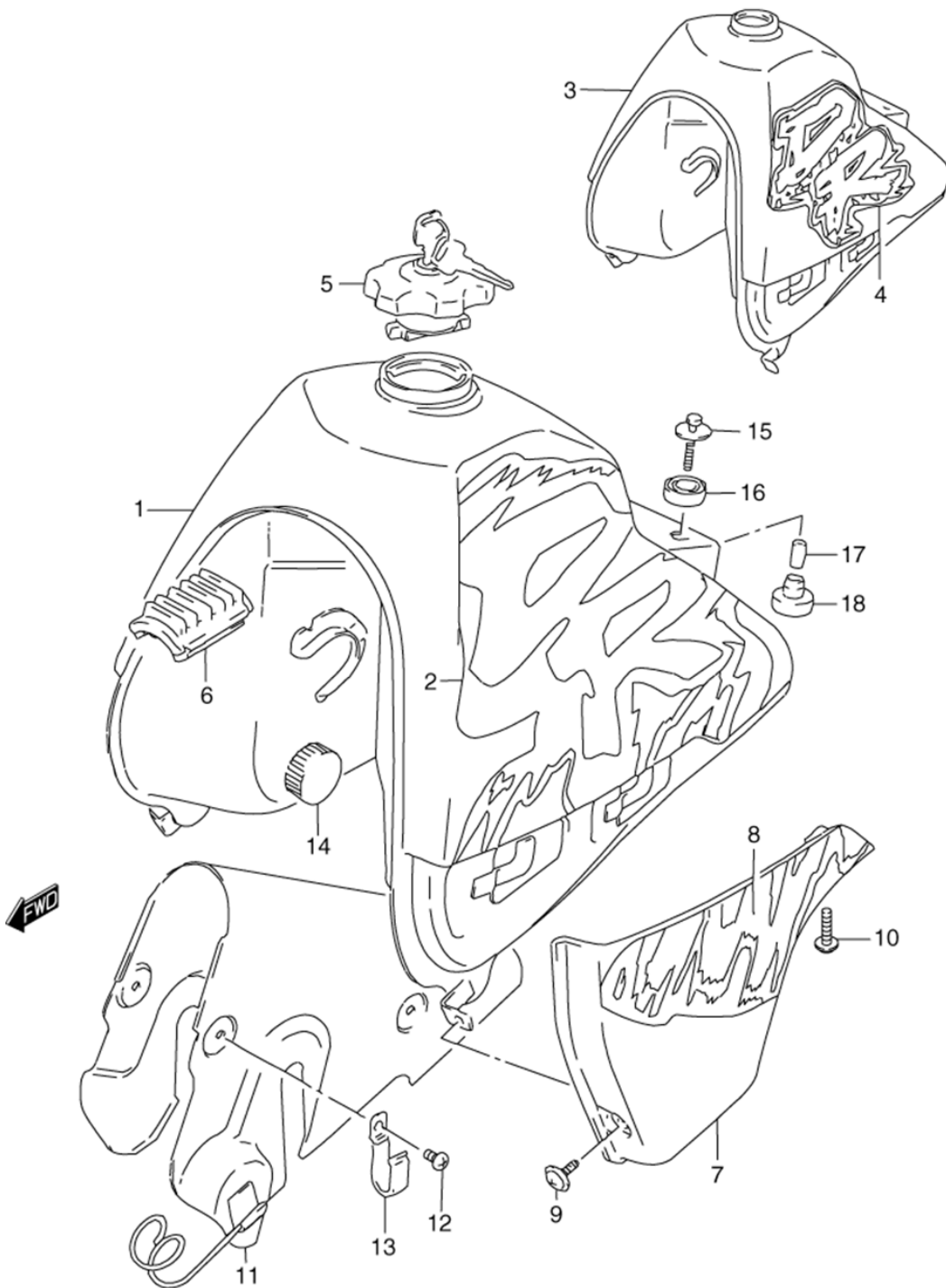


Table 31A. FUEL TANK (MODEL N P)

Reference Number	Quantity Required	Part Number	Description
2	1	68110-15D71-M79	TAPE SET,FUEL T
3-1	1	44100-14E70-28X	TANK ASSY, FUEL (WHITE)
4	1	68110-15E20-A4F	.TAPE SET, FUEL TANK
5-1	1	44200-03811	CAP SET, FUEL TANK
5-2	1	44200-05820	CAP SET, FUEL TANK
6-1	1	44541-15D01	CUSHION, UPPER
6-2	1	44541-15D01	CUSHION, UPPER
7-1	1	44171-15D00-30H	COVER, FUEL TANK RH (WHITE)
7-2	1	44181-15D00-30H	COVER, FUEL TANK LH (WHITE)
9	2	02142-06107	SCREW
10	2	09136-06002	SCREW
11-1	1	49131-14D20	HEAT SHIELD, FUEL TANK
12	4	02142-0508A	SCREW
13	2	09404-06432	.CLAMP, SW LEADS
14	2	09329-10016	CUSHION
15	2	09116-06172	BOLT
16	2	09320-14013	CUSHION
17	2	09180-06271	SPACER
18	2	09320-10020	CUSHION, LOWER

FIG.31B

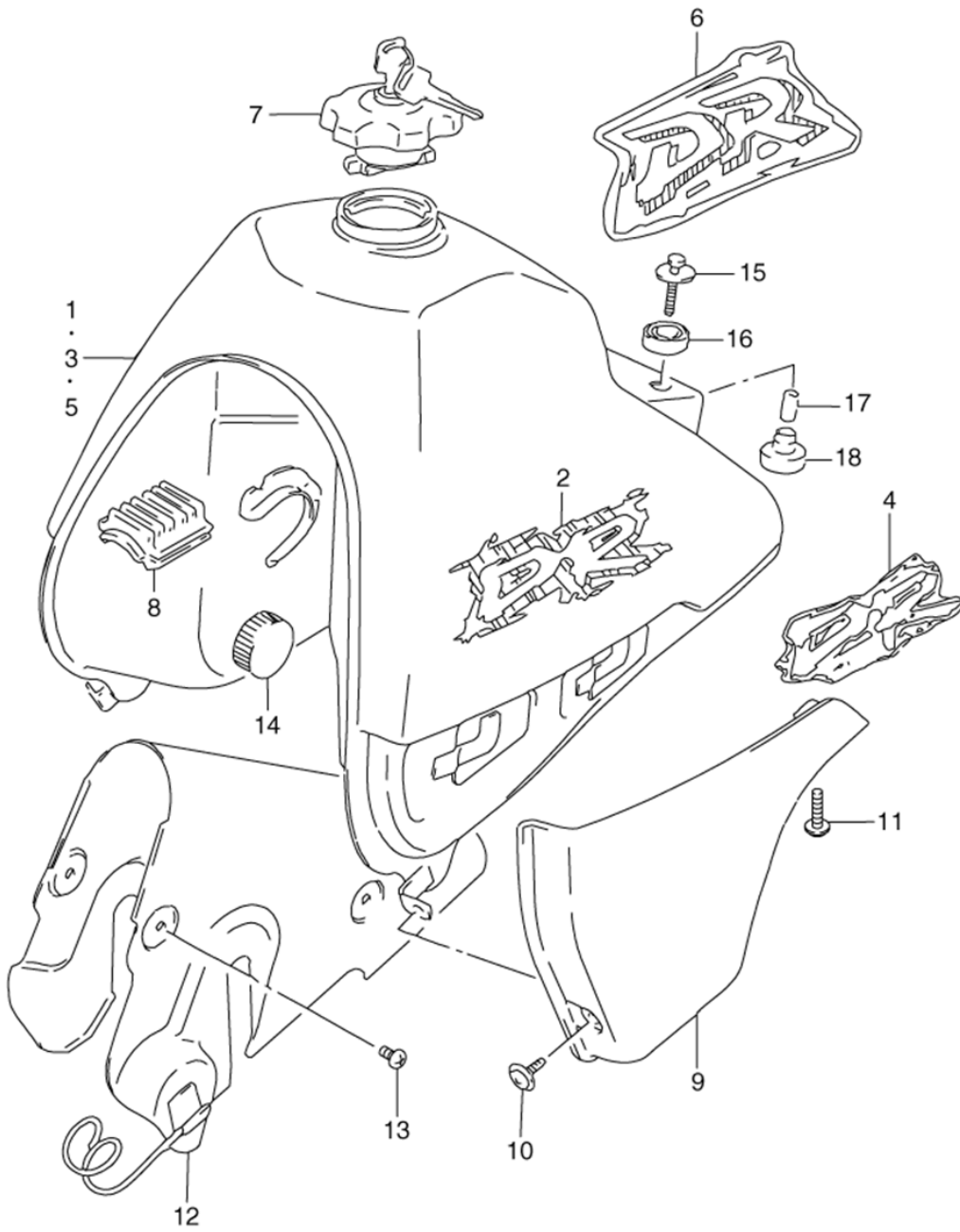


Table 31B. FUEL TANK (MODEL R S T)

Reference Number	Quantity Required	Part Number	Description
1-1	1	44100-14EE0-28X	TANK ASSY, FUEL (WHITE)
3-1	1	44100-14EL0-28X	TANK ASSY, FUEL (WHITE)
3-2	1	44100-14EK0-28X	TANK ASSY, FUEL (WHITE)
4	1	68120-14E00-D1R	.EMBLEM SET
5-1	1	44100-14ER0-30H	TANK ASSY, FUEL (WHITE)
6	1	68110-14E20-Z65	.TANK SET, FUEL TANK
7-1	1	44200-03811	CAP SET, FUEL TANK
7-2	1	44200-05820	CAP SET, FUEL TANK
8	1	44541-15D01	CUSHION, UPPER
9-1	1	44171-15D00-30H	COVER, FUEL TANK RH (WHITE)
9-2	1	44181-15D00-30H	COVER, FUEL TANK LH (WHITE)
10	2	02142-06107	SCREW
11	2	09136-06002	SCREW
12-1	1	49131-14D20	HEAT SHIELD, FUEL TANK
13	4	01560-05103	SCREW
14	2	09329-10016	CUSHION
15-1	2	09116-06172	BOLT
15-2	2	09116-06172	BOLT
16	2	09320-14013	CUSHION
17	2	09180-06271	SPACER
18	2	09320-10020	CUSHION, LOWER

FIG.32

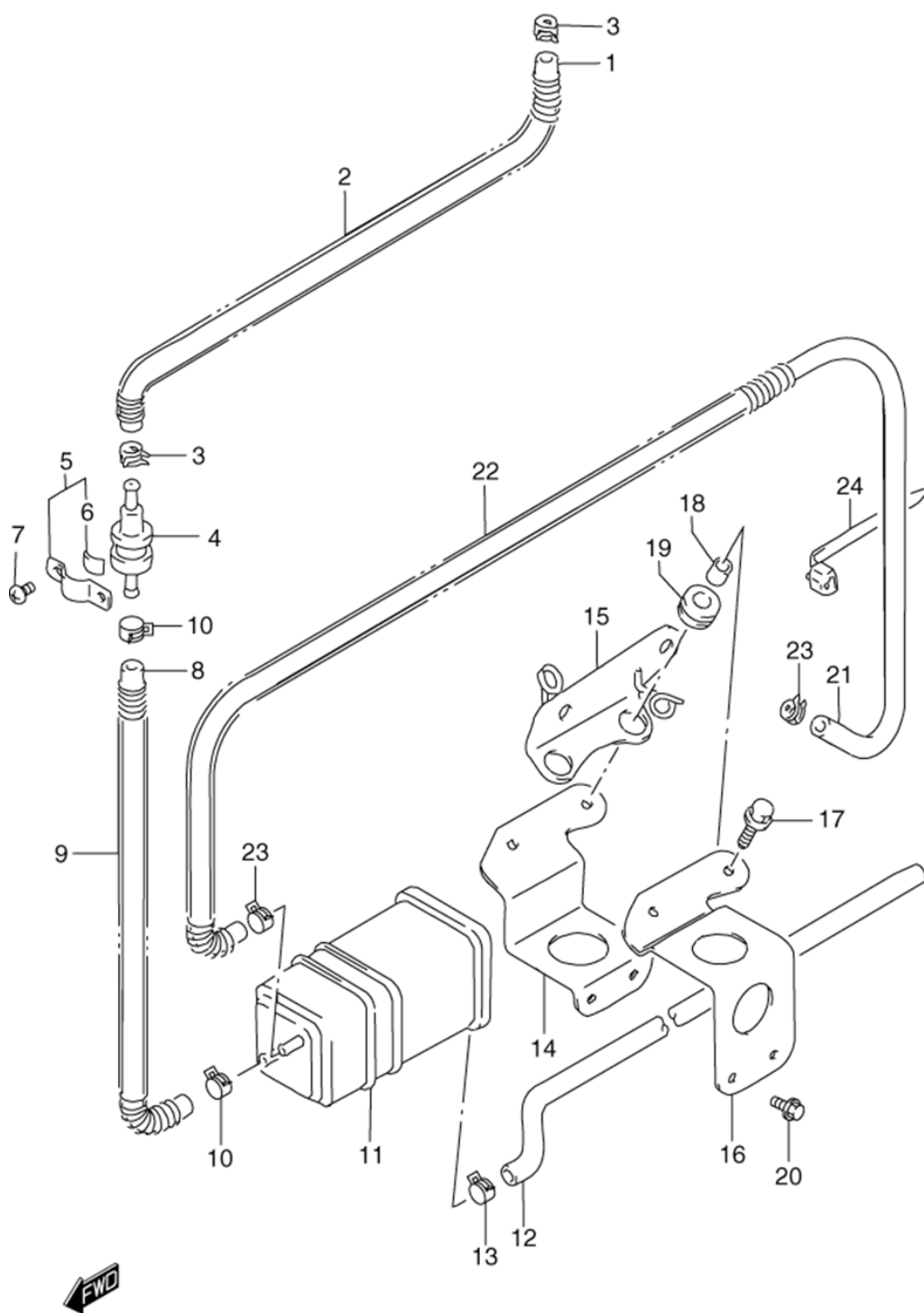


Table 32. CANISTER (CALIFORNIA ONLY)

Reference Number	Quantity Required	Part Number	Description
1-1	1	09343-05509	HOSE, FUEL TANK
1-2	1	09343-05509	HOSE, FUEL TANK
2	1	09440-13051	SPRING
3-1	2	09401-11413	CLIP
3-2	2	09401-11413	CLIP
4	1	44240-38A00	VALVE, BREATHER
5	1	44892-24A00	PLATE
6	1	44894-24A00	.CUSHION
7-1	2	02142-0408B	SCREW
7-2	2	02142-0408B	SCREW
8-1	1	09343-05503	HOSE, VALVE TO CANISTER
8-2	1	09343-05503	HOSE, VALVE TO CANISTER
9	2	09440-13052	SPRING
10-1	2	09401-11413	CLIP
10-2	2	09401-11413	CLIP
11	1	17210-14A00	CANISTER
13-1	1	09401-11413	CLIP
13-2	1	09401-11413	CLIP
14-1	1	44930-15D01	PLATE, CANISTER LOWER
14-2	1	44930-15D01	PLATE, CANISTER LOWER
15-1	1	44910-15D01	PLATE, CANISTER INNER
15-2	1	44910-15D01	PLATE, CANISTER INNER
16-1	1	44921-15D01	PLATE, CANISTER OUTER
16-2	1	44921-15D01	PLATE, CANISTER OUTER
17	2	09103-06066	BOLT (6X23)
18	2	09180-06286	SPACER
19	2	09320-10501	CUSHION
20-1	2	01550-0612A	BOLT
20-2	2	01550-0612A	BOLT
21	1	09343-05509	HOSE, FUEL TANK
22	1	09440-13053	SPRING
23-1	2	09401-11413	CLIP
23-2	2	09401-11413	CLIP
24	1	09407-14403	.CLAMP, BATTERY CABLE

FIG.33

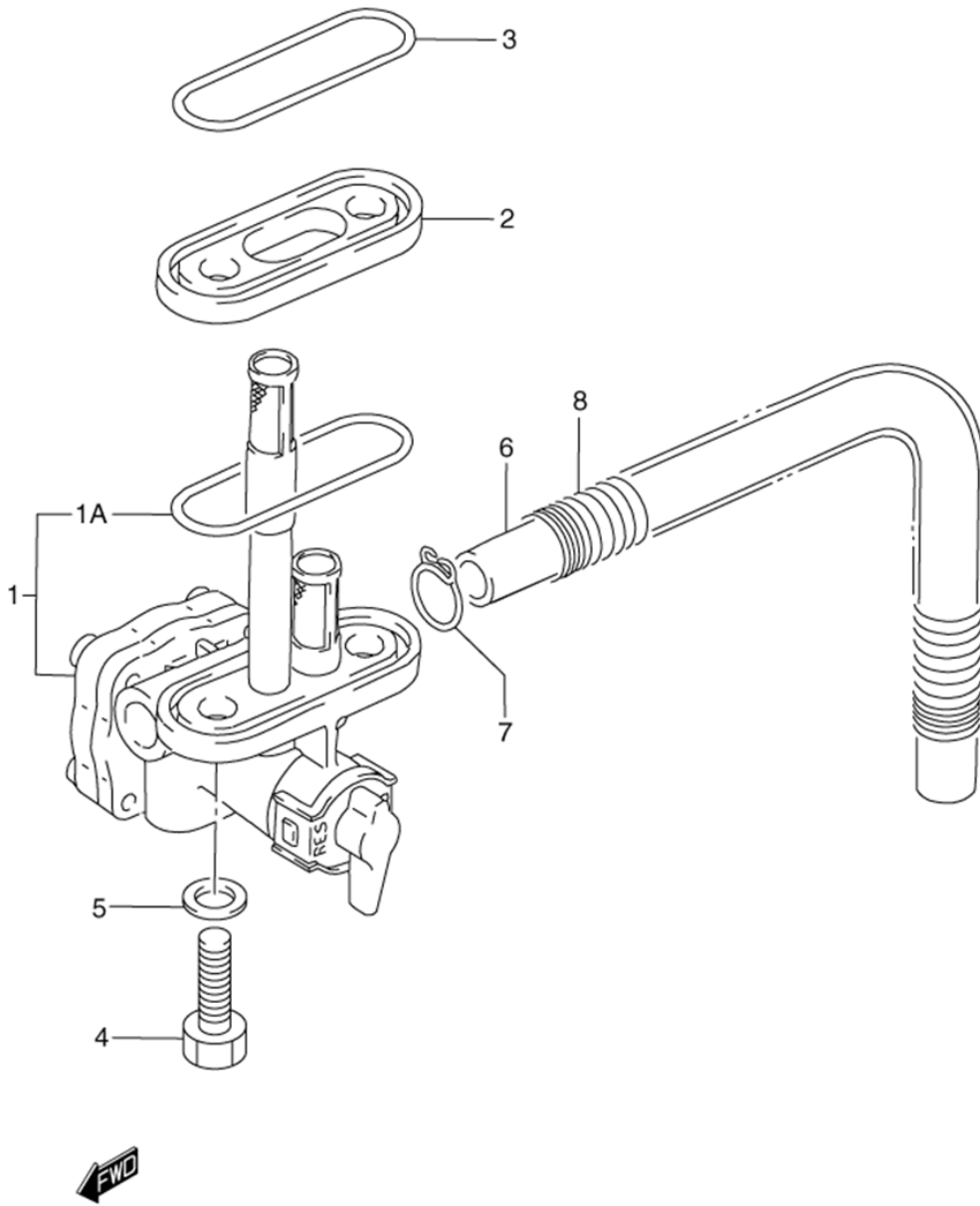


Table 33. FUEL COCK

Reference Number	Quantity Required	Part Number	Description
1-1	1	44300-15D10	COCK ASSY, FUEL
1-2	1	44300-15D31	COCK ASSY, FUEL
1A	1	44348-87420	.O RING
2	1	44365-14A00	SPACER, FUEL COCK
3	1	44366-14A00	GASKET
4	2	09128-06057	BOLT
5	2	09168-06026	GASKET, DRAIN BOLT
6-1	1	09352-70103-600	CUSHION, R/CON CABLE STOPPER (MODEL L/MMODEL N/P/R/S/T)
7	2	09401-10401	CLIP
8	1	09440-13052	SPRING
9-1	1	09404-06432	.CLAMP, SW LEADS
9-2	1	09404-06432	.CLAMP, SW LEADS

FIG.34

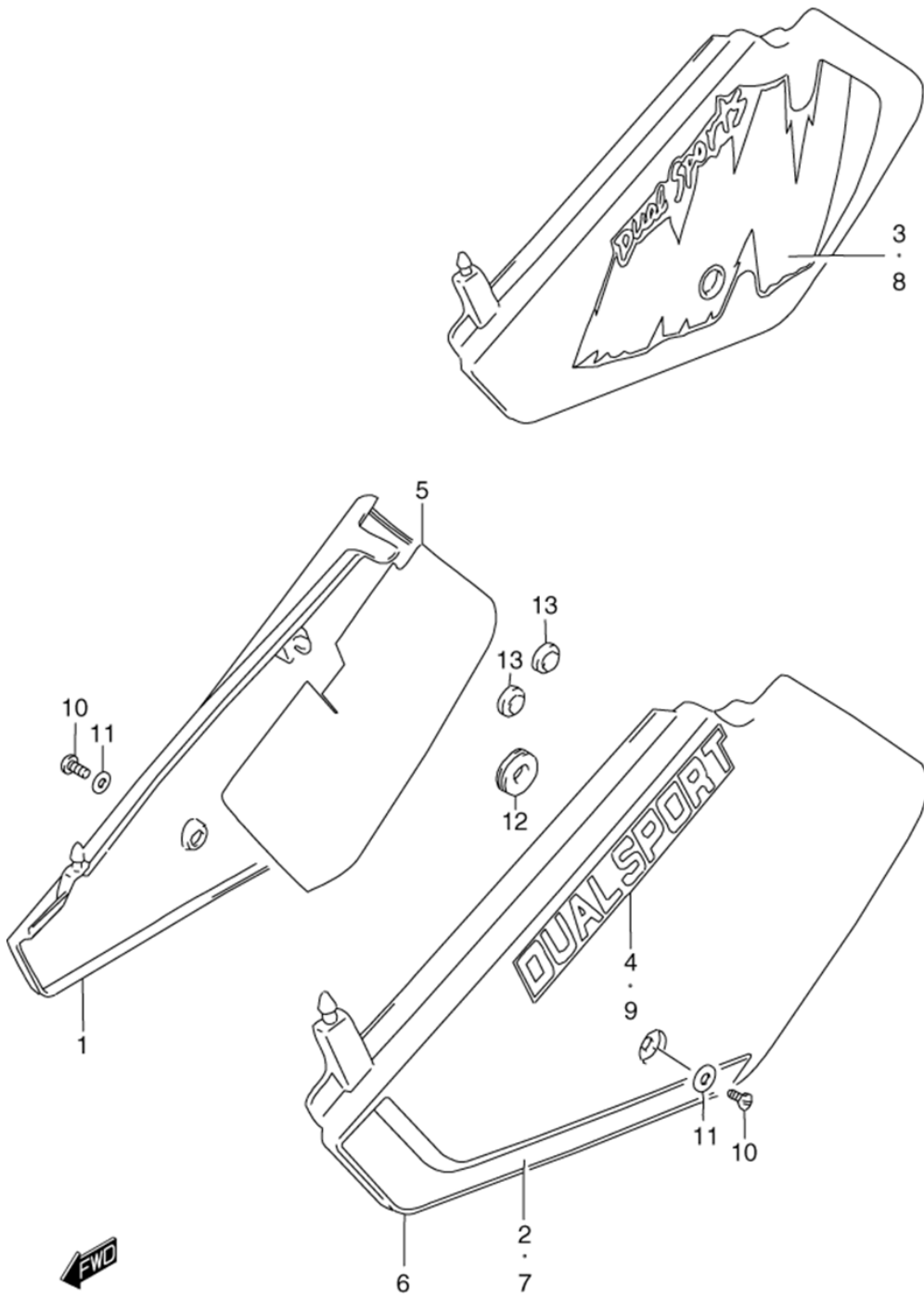


Table 34. FRAME COVER (MODEL L M)

Reference Number	Quantity Required	Part Number	Description
1	1	47111-14D00-30H	COVER, FRAME RH (WHITE)
4	1	68131-14D00-8YM	EMBLEM
5	1	47166-14D00	SHIELD, FRAME COVER RH
6	1	47211-15D00-30H	COVER, FRAME LH (WHITE)
7	1	68145-14D10-B26	TAPE, FRAME COVER LH
9	1	68131-14D00-8YM	EMBLEM
10	2	09139-06050	SCREW (6X20)
11	2	09169-06041	WASHER, GUIDE RR BRAKE HOSE
12	2	09320-08029	CUSHION
13	2	09321-10018	CUSHION, MUFFLER

FIG.34A

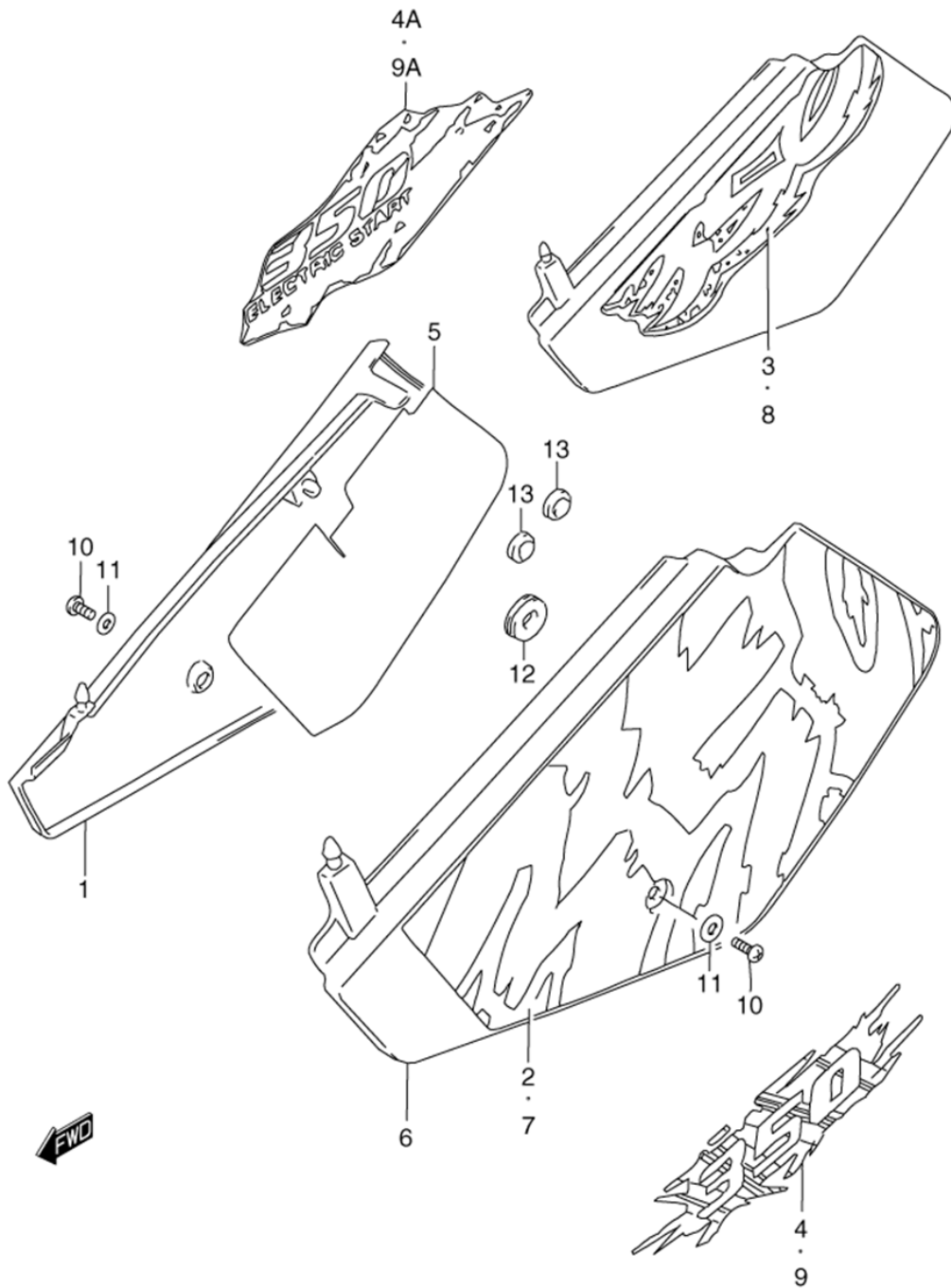


Table 34A. FRAME COVER (MODEL N P R S)

Reference Number	Quantity Required	Part Number	Description
1	1	47111-14D00-30H	COVER, FRAME RH (WHITE)
4	1	68131-14E10-1YD	EMBLEM, LH
4A	1	68135-14E00-D1T	EMBLEM, RH
5	1	47166-14D00	SHIELD, FRAME COVER RH
6	1	47211-15D00-30H	COVER, FRAME LH (WHITE)
7	1	68145-14D80-M82	TAPE, FRAME COVER LH
8	1	68141-14E10-A4F	EMBLEM, LH
9	1	68131-14E10-1YD	EMBLEM, LH
9A	1	68145-14E00-D1T	EMBLEM, LH
10-1	2	09139-06050	SCREW (6X20)
10-2	2	02142-06167	SCREW
11	2	09169-06041	WASHER, GUIDE RR BRAKE HOSE
12	2	09320-08029	CUSHION
13	2	09321-10018	CUSHION, MUFFLER

FIG.34B

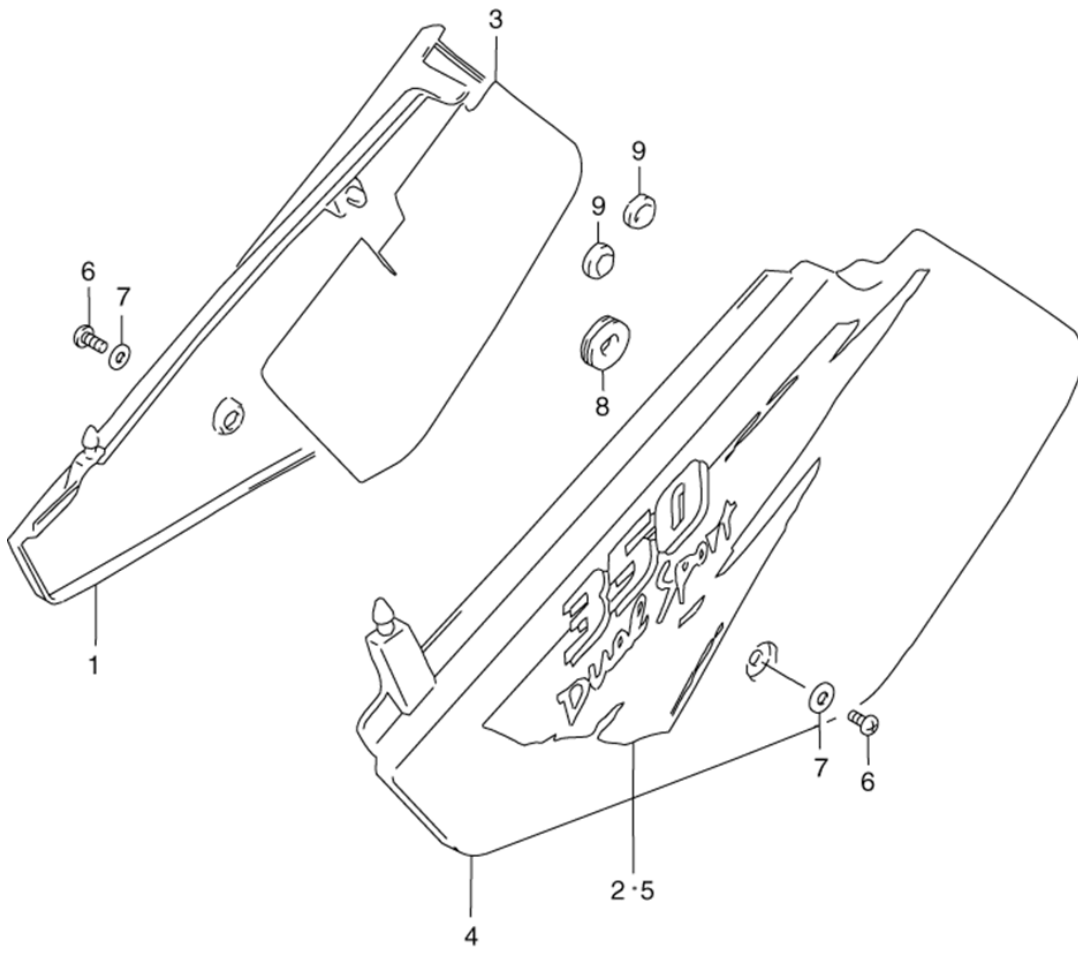


Table 34B. FRAME COVER (MODEL T)

Reference Number	Quantity Required	Part Number	Description
1	1	47111-14D00-30H	COVER, FRAME RH (WHITE)
2	1	68135-14E30-Z65	EMBLEM, RH
3	1	47166-14D00	SHIELD, FRAME COVER RH
4	1	47211-15D00-30H	COVER, FRAME LH (WHITE)
5	1	68145-14E30-Z65	EMBLEM, LH
6	2	02142-06167	SCREW
7	2	09169-06041	WASHER, GUIDE RR BRAKE HOSE
8	2	09320-08029	CUSHION
9	2	09321-10018	CUSHION, MUFFLER

FIG.35

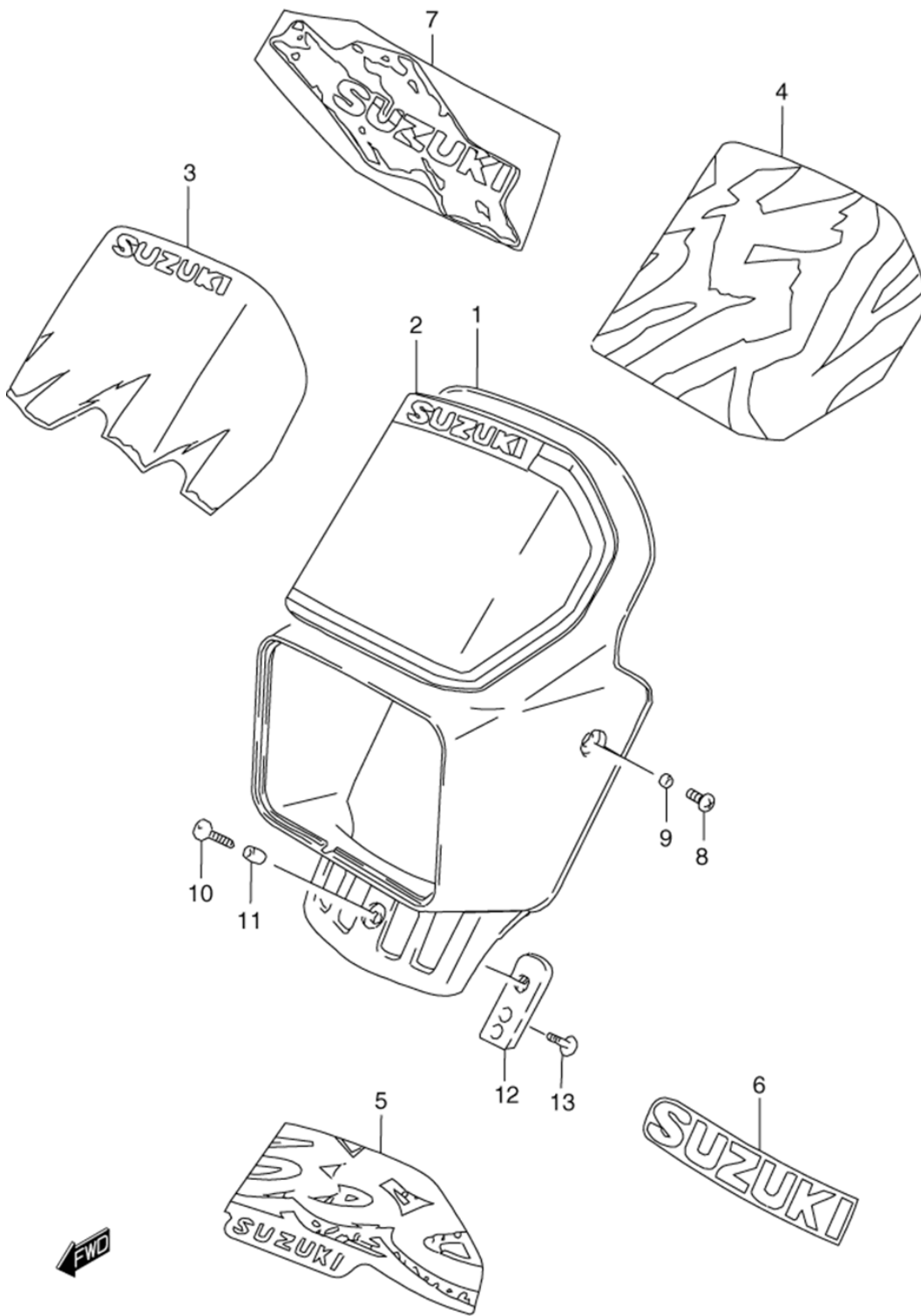


Table 35. HEADLAMP COVER

Reference Number	Quantity Required	Part Number	Description
1	1	51811-14A20-30H	COVER, HEADLAMP (WHITE)
6-1	1	68174-35B00-A2L	EMBLEM, SUZUKI
6-2	1	68174-35B00-E9G	EMBLEM, SUZUKI
7	1	68725-14E00-D1R	TAPE, HEAD LAMP COVER
8-1	2	02142-0612A	SCREW
8-2	2	02142-06127	SCREW
9	2	09180-06245	SPACER (6.1X8X3.5)
10-1	1	02142-0620A	SCREW
10-2	1	02142-06207	SCREW
11	1	09180-06249	SPACER (6.1X8X12)
12	1	51860-14D00	PLATE, HOUSING
13-1	2	02112-35103	SCREW
13-2	2	02112-35103	SCREW

FIG.36

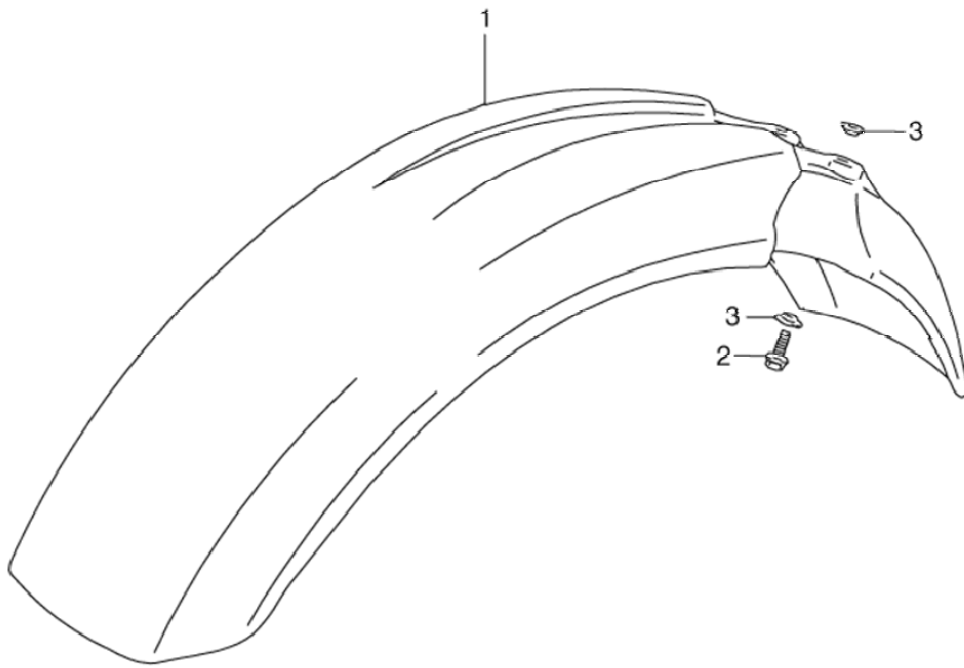


Table 36. FRONT FENDER

Reference Number	Quantity Required	Part Number	Description
1-1	1	53111-14D11-30H	FENDER, FRONT (WHITE)
1-2	1	53111-14D11-30H	FENDER, FRONT (WHITE)
2-1	4	01550-06167	.BOLT, REMOCON CABLE HOLDER
2-2	4	01550-0616A	BOLT
3	8	09169-06053	WASHER, CA HOLDER (6.3X16X1)

FIG.37

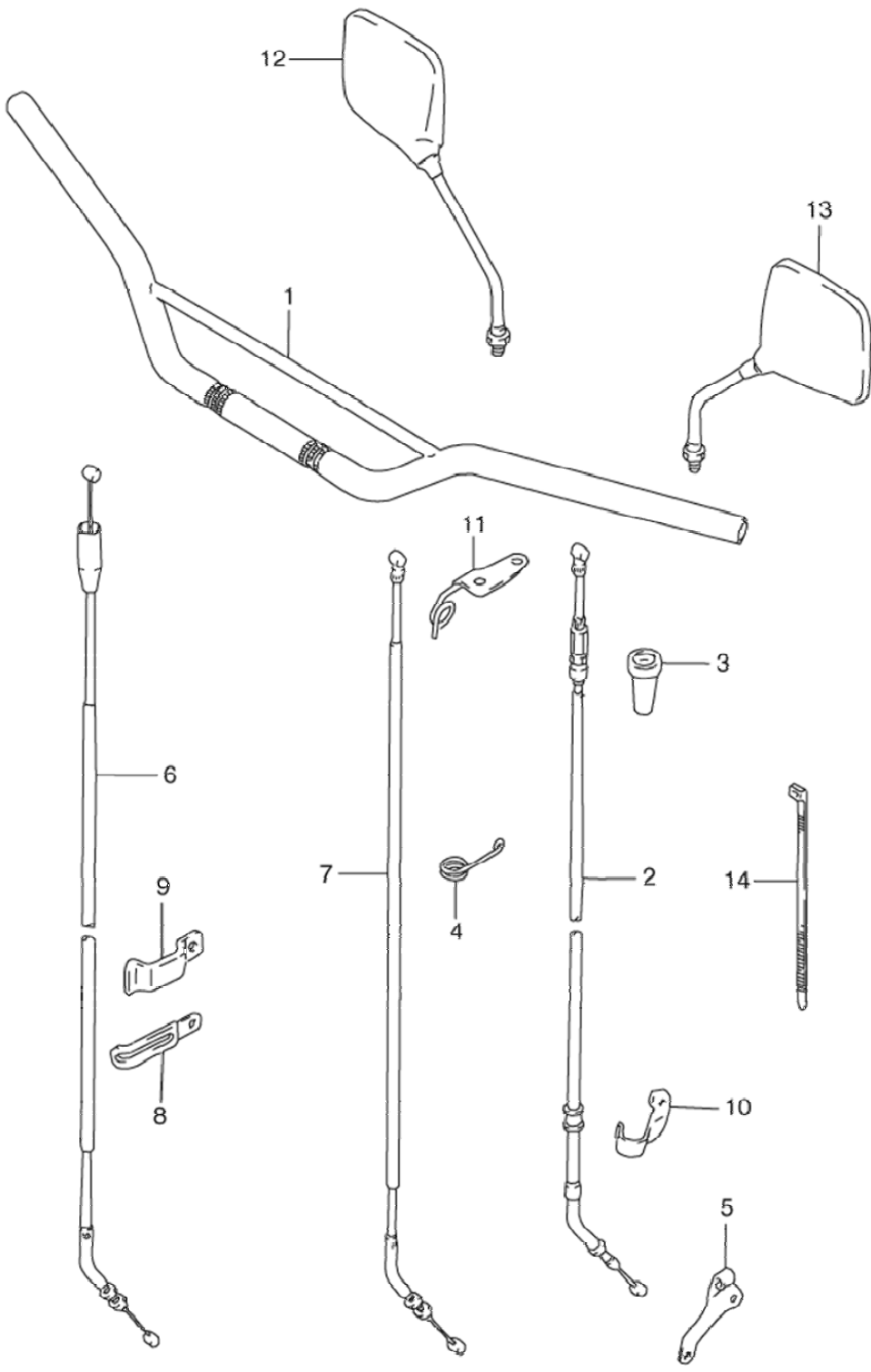


Table 37. HANDLEBAR (MODEL L M)

Reference Number	Quantity Required	Part Number	Description
1	1	56110-14D11-291	HANDLEBAR (BLACK)
2	1	58200-14D01	CABLE ASSY, CLUTCH
3	1	58273-31000	BOOT, CLUTCH CABLE
4	1	58294-15D00	GUIDE, CLUTCH CABLE
5	1	58634-14D00	STOPPER, CLUTCH CABLE
6	1	58300-15D20	CABLE ASSY, THROTTLE
7	1	58900-14D00	CABLE ASSY, DECOMP
8	1	09404-06432	.CLAMP, SW LEADS
9	1	09403-10307	CLAMP
10	1	58285-14D01	CLAMP, CLUTCH CABLE
11	1	58620-15D10	GUIDE, CLUTCH CABLE
12	1	56500-13A11	MIRROR ASSY,REA
13	1	56600-13A11	MIRROR ASSY,REA
14	1	09407-10404	.CLAMP

FIG.37A

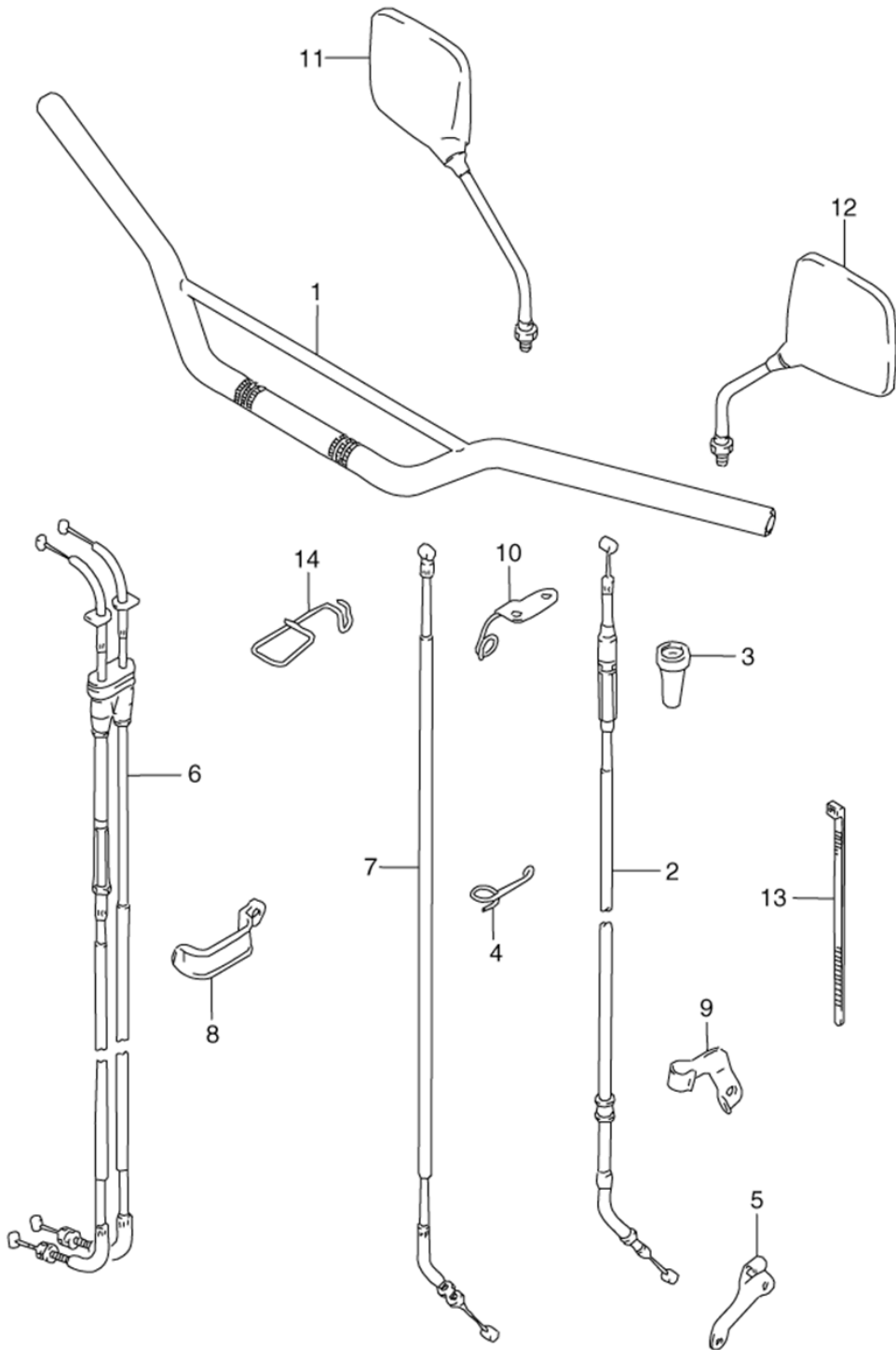


Table 37A. HANDLEBAR (MODEL N P)

Reference Number	Quantity Required	Part Number	Description
1-1	1	56110-14D11-291	HANDLEBAR (BLACK) (MODEL N->56110-14D10-291)
1-2	1	56110-14D11-291	HANDLEBAR (BLACK)
2	1	58200-14D01	CABLE ASSY, CLUTCH
3	1	58273-31000	BOOT, CLUTCH CABLE
4	1	58294-15D00	GUIDE, CLUTCH CABLE
5	1	58634-14D00	STOPPER, CLUTCH CABLE
6	1	58300-14D30	CABLE ASSY, THROTTLE
7	1	58900-14D00	CABLE ASSY, DECOMP
8	1	09403-09307	CLAMP
9	1	58285-14D01	CLAMP, CLUTCH CABLE
10	1	58620-15D10	GUIDE, CLUTCH CABLE
11	1	56500-13A11	MIRROR ASSY,REA
12	1	56600-13A11	MIRROR ASSY,REA
13	1	09407-10404	.CLAMP
14	1	58294-15D10	GUIDE, THROTTLE CABLE

FIG.37B

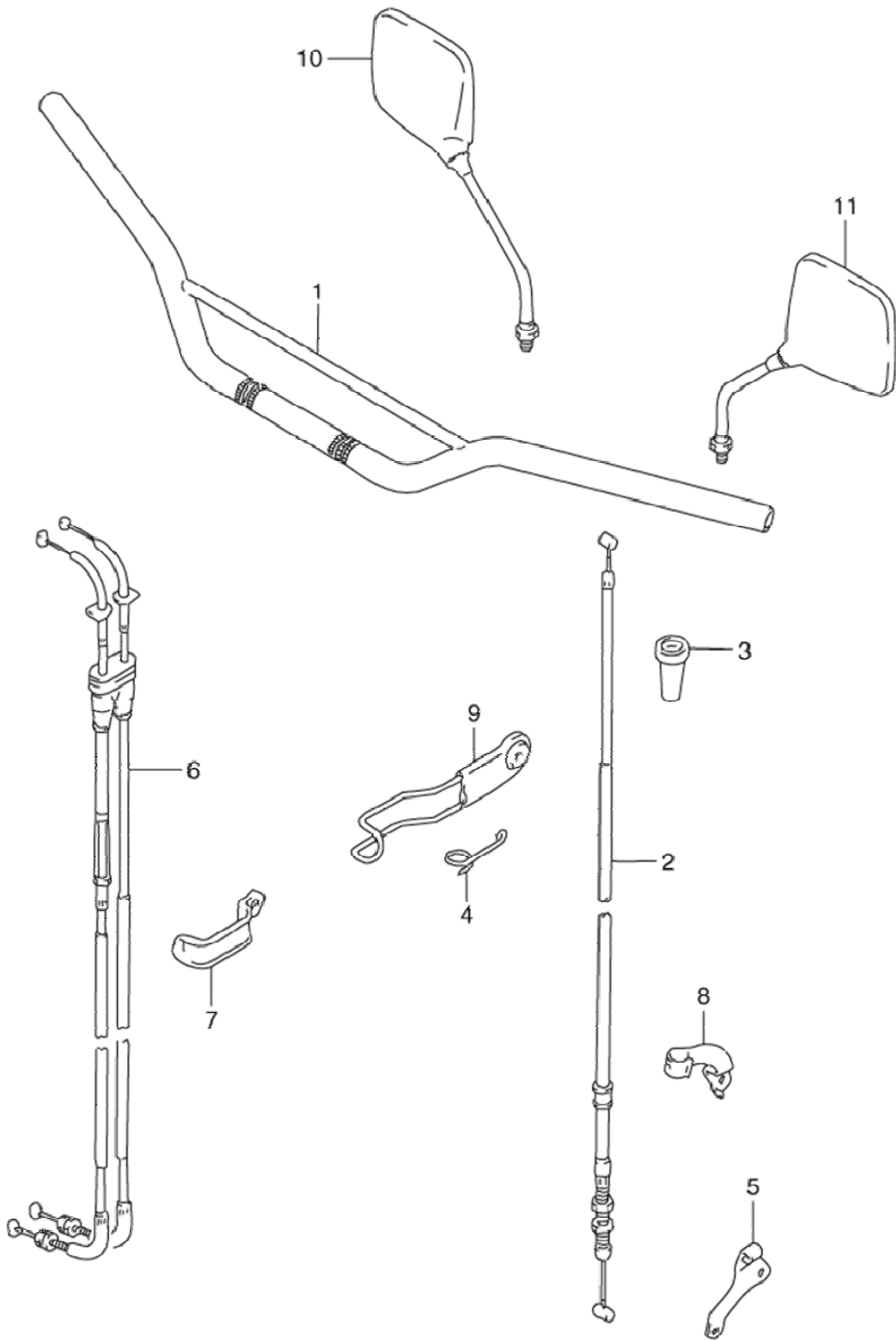


Table 37B. HANDLEBAR (MODEL R S T)

Reference Number	Quantity Required	Part Number	Description
1	1	56110-14D11-291	HANDLEBAR (BLACK)
2	1	58200-14D21	CABLE ASSY, CLUTCH
3	1	58273-31000	BOOT, CLUTCH CABLE
4	1	58294-15D00	GUIDE, CLUTCH CABLE
5	1	58634-14D00	STOPPER, CLUTCH CABLE
6	1	58300-14E00	CABLE ASSY, ROTTLE
7	1	09403-09307	CLAMP
8	1	58285-14D01	CLAMP, CLUTCH CABLE
9	1	58620-15D20	GUIDE, CLUTCH CABLE
10-1	1	56500-13A11	MIRROR ASSY,REA
10-2	1	56500-13A11	MIRROR ASSY,REA
11-1	1	56600-13A11	MIRROR ASSY,REA
11-2	1	56600-13A11	MIRROR ASSY,REA

FIG.38

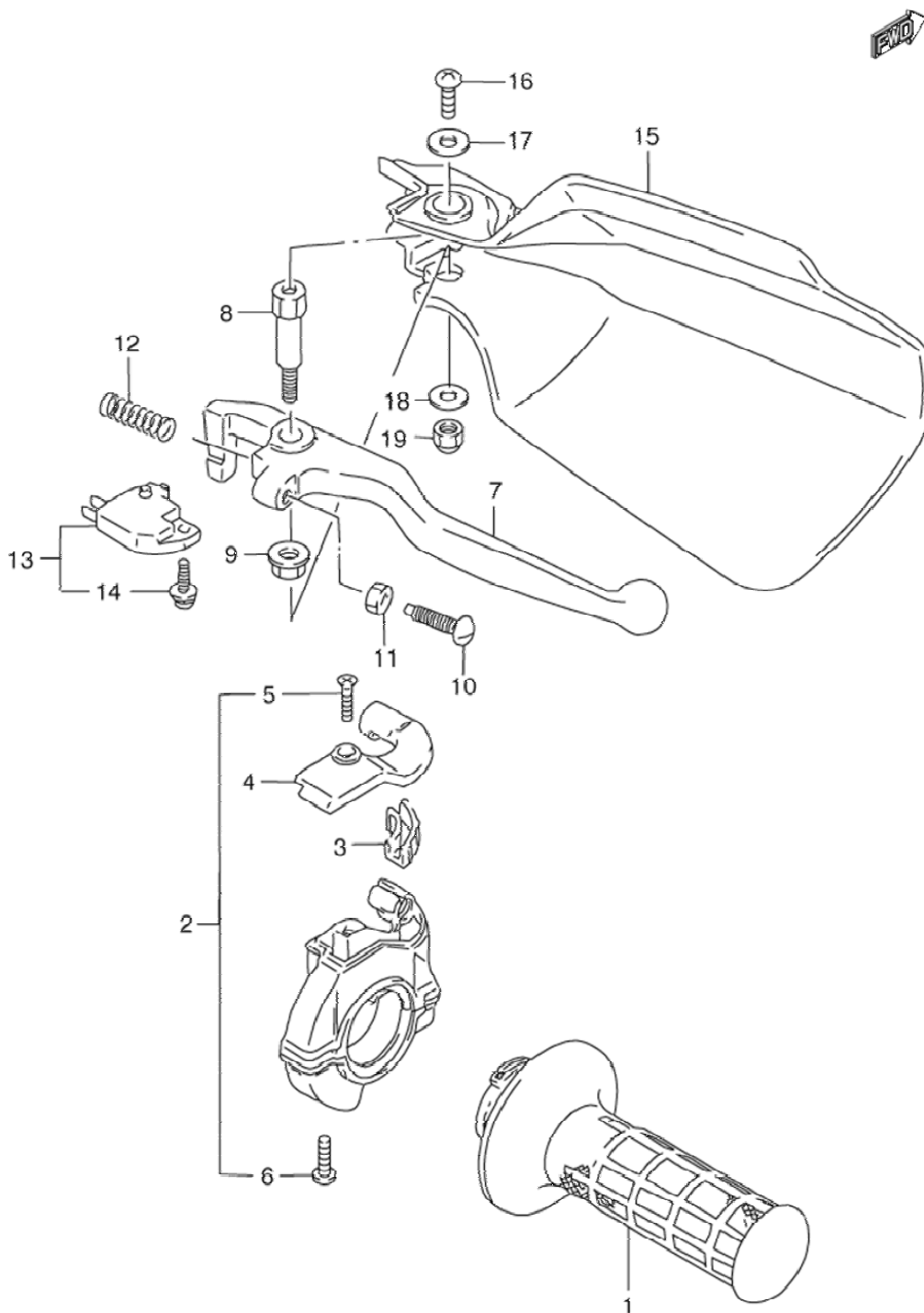


Table 38. RIGHT HANDLE LEVER (MODEL L M)

Reference Number	Quantity Required	Part Number	Description
1	1	57110-14D00	GRIP, THROTTLE
2	1	57100-28B00	CASE ASSY, THROTTLE
3	1	57122-13600	.GUIDE, PIECE
4	1	57129-13601	.COVER
5	1	02122-0410A	.SCREW, PLATE
6	2	02112-05164	.SCREW
7	1	57421-03D00	LEVER, BRAKE
8	1	57431-05D00	BOLT, BRAKE LEVER PIVOT
9	1	08319-21068	.NUT
10	1	57431-14511	BOLT
11	1	08310-0005A	NUT
12	1	57318-14502	SPRING
13	1	57460-17C01	SWITCH ASSY, STOP
14	1	57465-17C00	.SCREW
15	1	57341-05D00-0NF	COVER, KNUCKLE RH (BLUE)
16	1	09125-05042	.SCREW (5X10)
17	1	09160-05043	.WASHER, 5.5X16X1.20
18	1	09160-06130	.WASHER
19	1	08319-21068	.NUT

FIG.38A

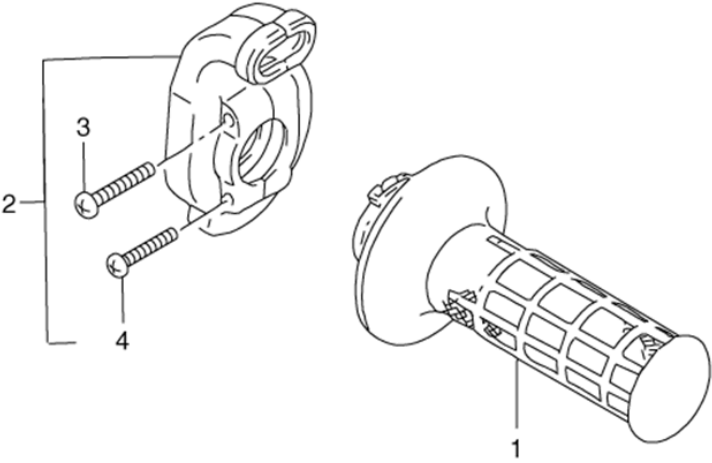
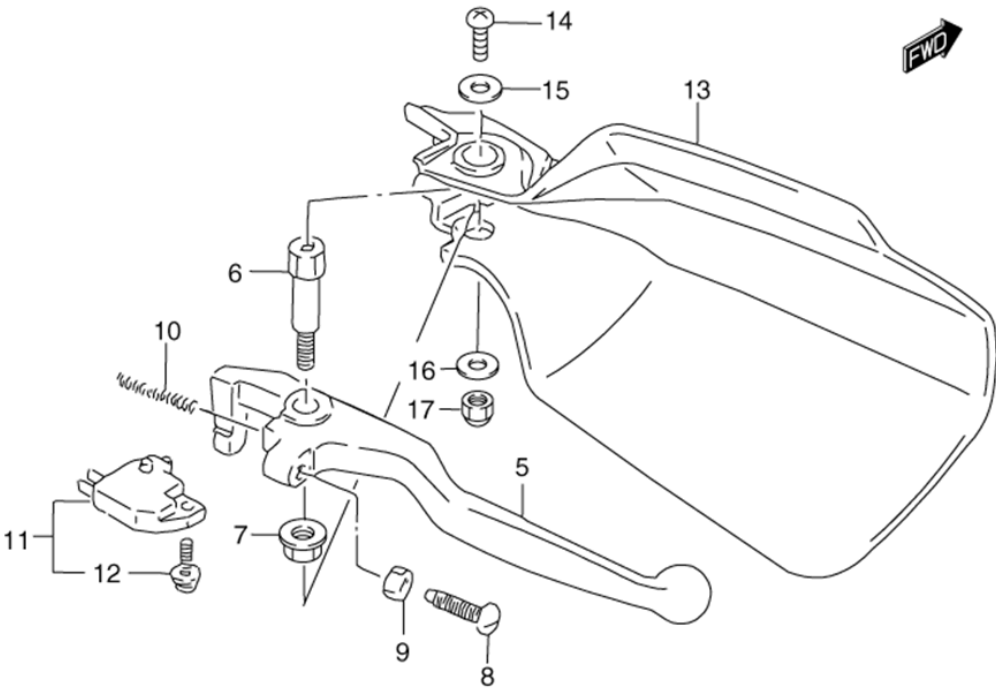


Table 38A. RIGHT HANDLE LEVER (MODEL N P R S T)

Reference Number	Quantity Required	Part Number	Description
1	1	57110-14D11	GRIP, THROTTLE
2	1	57100-14D00	CASE ASSY, THROTTLE
3	1	09125-05066	.SCREW
4	1	02112-0520B	SCREW
5	1	57421-03D00	LEVER, BRAKE
6	1	57431-05D00	BOLT, BRAKE LEVER PIVOT
7	1	08319-21068	.NUT
8	1	57431-14511	BOLT
9	1	08310-0005A	NUT
10	1	57318-14502	SPRING
11	1	57460-17C01	SWITCH ASSY, STOP
12	1	57465-17C00	.SCREW
13-1	1	57341-05D00-0NF	COVER, KNUCKLE RH (BLUE)
13-2	1	57341-05D00-Z16	COVER, KNUCKLE RH (PURPLE)
14-1	1	09125-05042	.SCREW (5X10)
14-2	1	02142-05107	SCREW, SHIFT PLATE
15	1	09160-05043	.WASHER, 5.5X16X1.20
16	1	09160-06130	.WASHER
17	1	08319-21068	.NUT

FIG.39

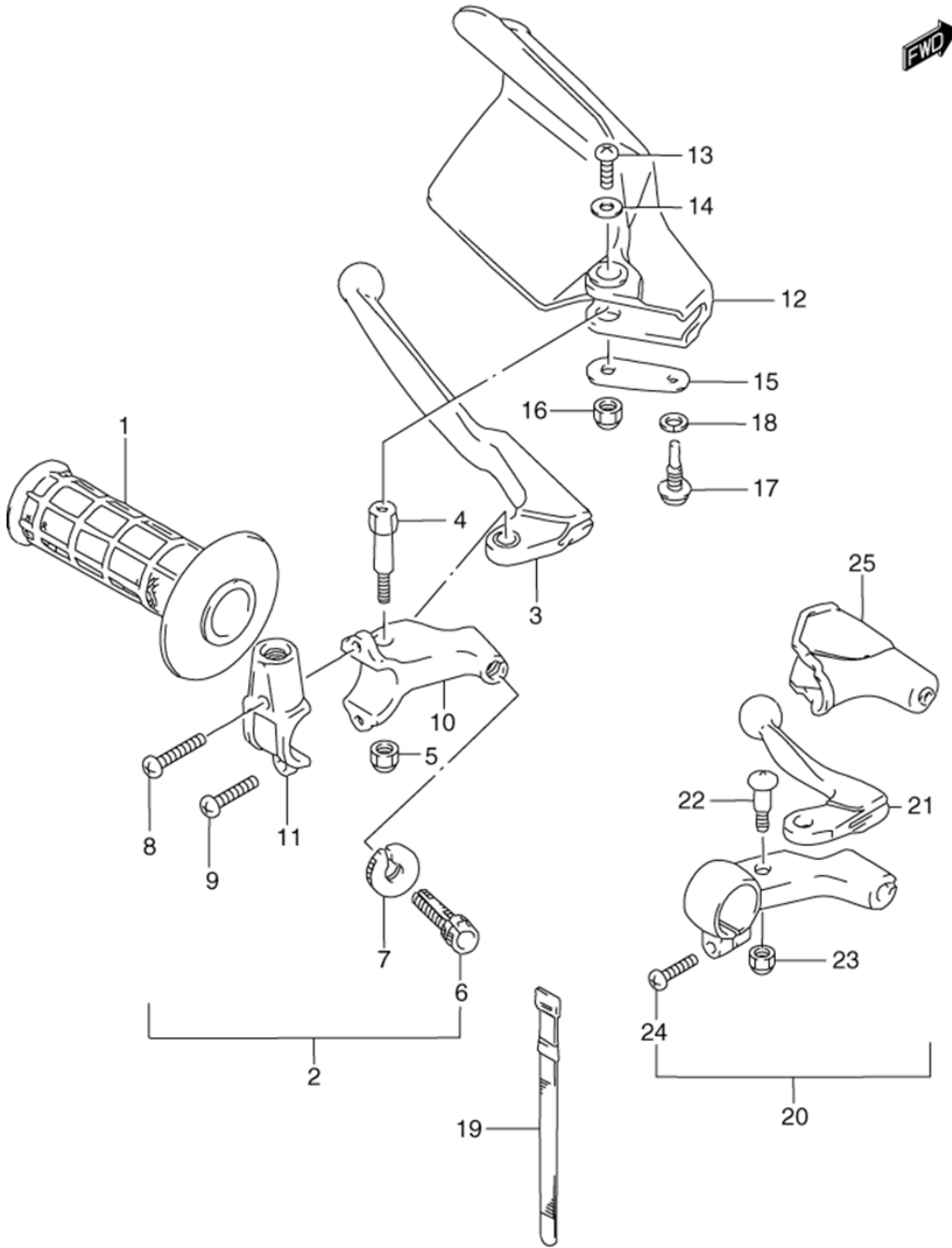


Table 39. LEFT HANDLE LEVER (MODEL L M N P)

Reference Number	Quantity Required	Part Number	Description
1	1	57211-27C00	GRIP, LH
2	1	57500-15D00	LEVER ASSY, CLUTCH
3	1	57620-14300	.LEVER, CLUTCH
4	1	57631-05D00	.BOLT
5	1	08319-21068	.NUT
6	1	57441-11010	.ADJUSTER, CABLE
7	1	57442-05D00	.NUT
8	1	09125-05105-XC0	SCREW,5X22
9	1	09125-05102	.SCREW
10	1	57511-14300	.HOLDER
11	1	57512-03D00	.BRACKET, HOLDER
12	1	57541-05D01-0NF	COVER, KNUCKLE, LH (BLUE)
13	1	09125-05042	.SCREW (5X10)
14	1	09160-05043	.WASHER, 5.5X16X1.20
15	1	57542-05D00	PLATE, KNUCKLE COVER LH
16	1	08319-21068	.NUT
17	1	09139-06086	SCREW
18	1	08321-01067	.LOCK WASHER
19	2	09407-12402	CLAMP
20	1	58700-38200	LEVER ASSY, DECOMP
21	1	58731-38200	.LEVER
22	1	57431-01012	.SCREW
23	1	57633-38200	.NUT
24	1	02112-0620A	SCREW
25	1	57342-37101	COVER, DECOMP LEVER

FIG.39A

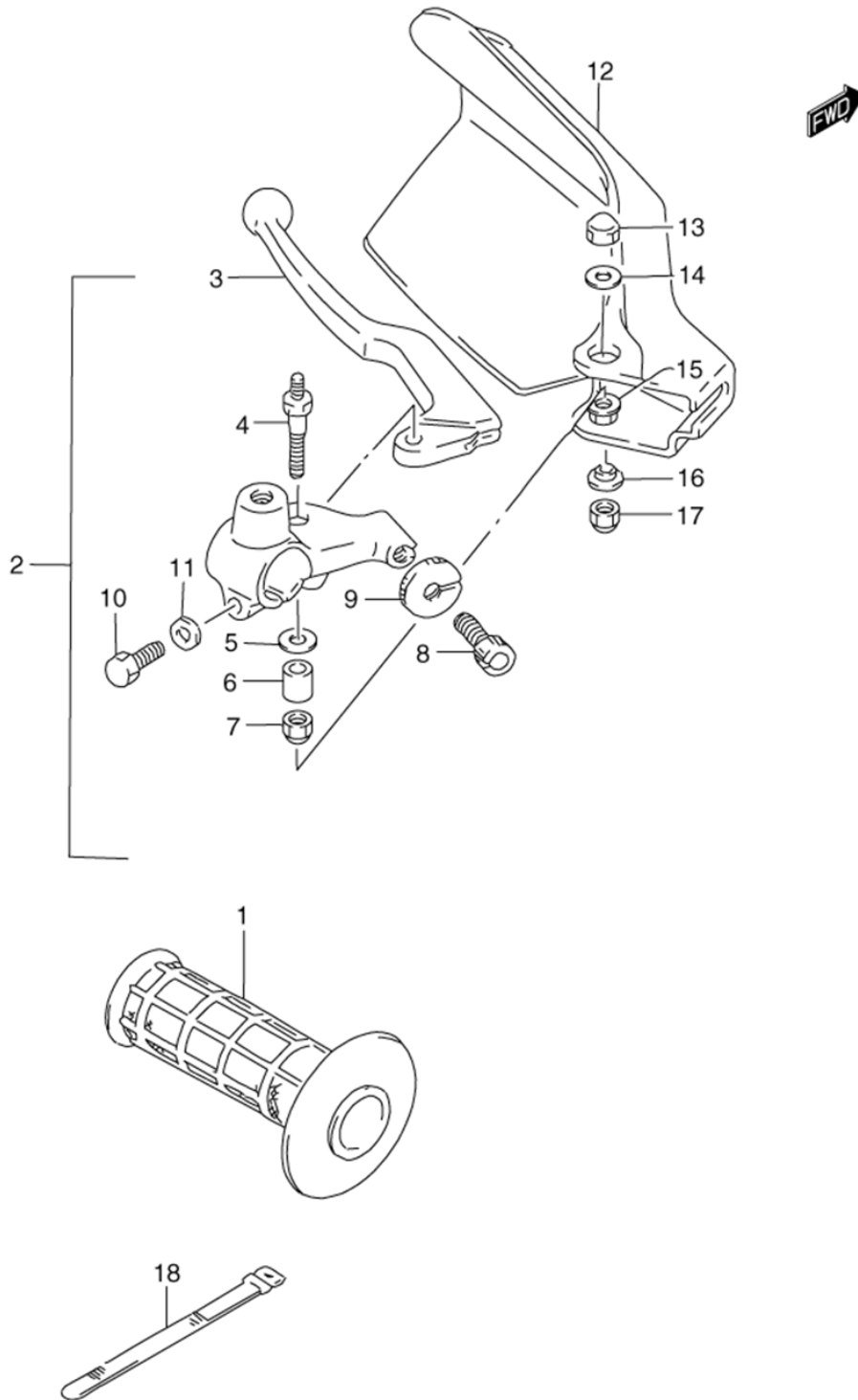


Table 39A. LEFT HANDLE LEVER (MODEL R S T)

Reference Number	Quantity Required	Part Number	Description
1	1	57211-27C00	GRIP, LH
2	1	57500-15D11	LEVER ASSY, CLUTCH
3	1	57620-15D11	.LEVER
4	1	57531-44B01	.BOLT
5	1	08322-01067	.WASHER, THROTTLE ROD
6	1	57532-44B00	.SPACER
7	1	08319-2106B	NUT
8	1	57441-44400	.ADJUSTER, CABLE
9	1	57442-44B00	.NUT
10	1	01500-06207	BOLT
11	1	08322-01067	.WASHER, THROTTLE ROD
12-1	1	57541-31D00-0NF	COVER, KNUCKLE LH (BLUE)
12-2	1	57541-31D00-Z16	COVER, KNUCKLE LH (PURPLE)
13	1	08313-1006A	NUT
14	1	09160-06066	WASHER, THROTTLE LEVER
15	1	09160-06019	WASHER
16	1	09169-06040	WASHER
17	1	08319-21068	.NUT
18	2	09407-12402	CLAMP

FIG.40

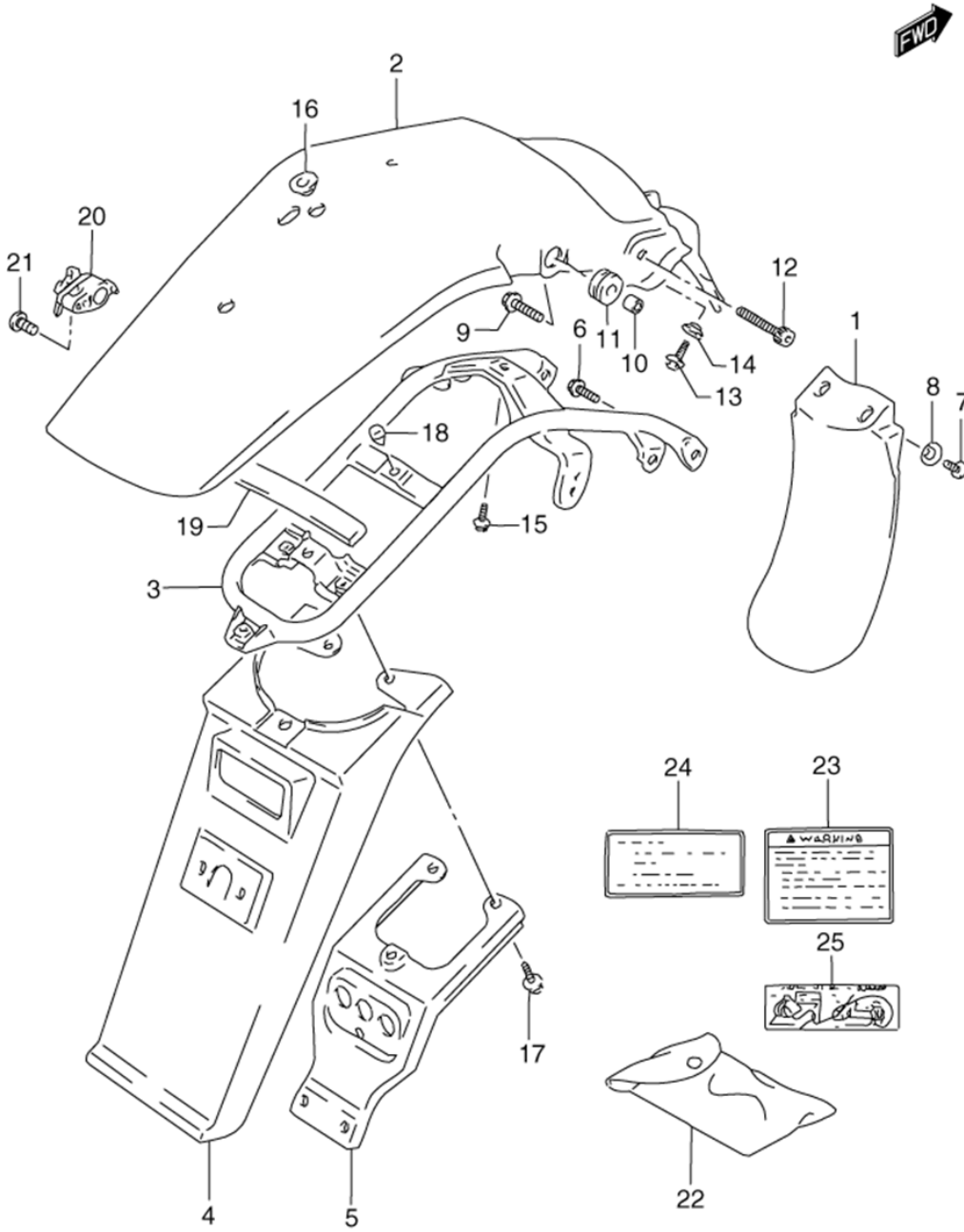


Table 40. REAR FENDER (MODEL L M N P)

Reference Number	Quantity Required	Part Number	Description
1	1	63112-14D00	BODY, REAR FENDER FRONT
2-1	1	63113-14D23-30H	BODY, REAR FENDER, REAR WHITE (MODEL L->63113-14D21-30HW/01177-0816809160-14032)
2-2	1	63113-14D23-30H	BODY, REAR FENDER, REAR WHITE
2-3	1	63113-14D23-30H	BODY, REAR FENDER, REAR WHITE
3-1	1	63120-14D11	REINFORCEMENT, REAR FENDER
3-2	1	63120-14D11	REINFORCEMENT, REAR FENDER
4	1	63311-03D20	EXTENSION, REAR FENDER
5-1	1	63320-03D03	REINFORCEMENT, EXTENSION
5-2	1	63320-03D03	REINFORCEMENT, EXTENSION
6	2	09103-08382	BOLT,8X12
7	2	02142-0612A	SCREW
8	2	09169-06055	WASHER
9	2	09103-08292	BOLT, CENTER
10	2	09180-08187	SPACER
11-1	2	09320-12011	CUSHION (MODEL L/M/N->09320-12011)
11-2	2	09320-12011	CUSHION
12	2	09106-08105	BOLT, SPACER
13	1	01550-06167	BOLT, REMOCON CABLE HOLDER
14	1	09169-06038	WASHER
15-1	1	09118-06102	BOLT, REAR
15-2	1	01580-08167	BOLT, REAR
16-1	1	09160-12088	WASHER
16-2	1	09160-14032	WASHER
17	3	01580-0616A	BOLT
18	1	09321-06013	CUSHION
19	1	63191-44A00	CUSHION
20	1	95700-03811	LOCK SET,HELMET
21	1	02112-0512A	SCREW, VACUUM VALVE
22	1	09800-21034	TOOL ASSY
23	1	68319-33E01	LABEL, WARNING
24	1	68393-14D10	LABEL, THROTTLE POSITION
25	1	68387-15D00	LABEL, PIPING DIAPHRAGM
26	1	68332-14D00	LABEL, TIRE AIR PRESSURE
27-1	1	99011-14D70-03A	MANUAL, OWNER'S
27-4	1	99011-14D73-03A	MANUAL, OWNER'S (MODEL PDRAWING NOT SHOWN)

FIG.40A

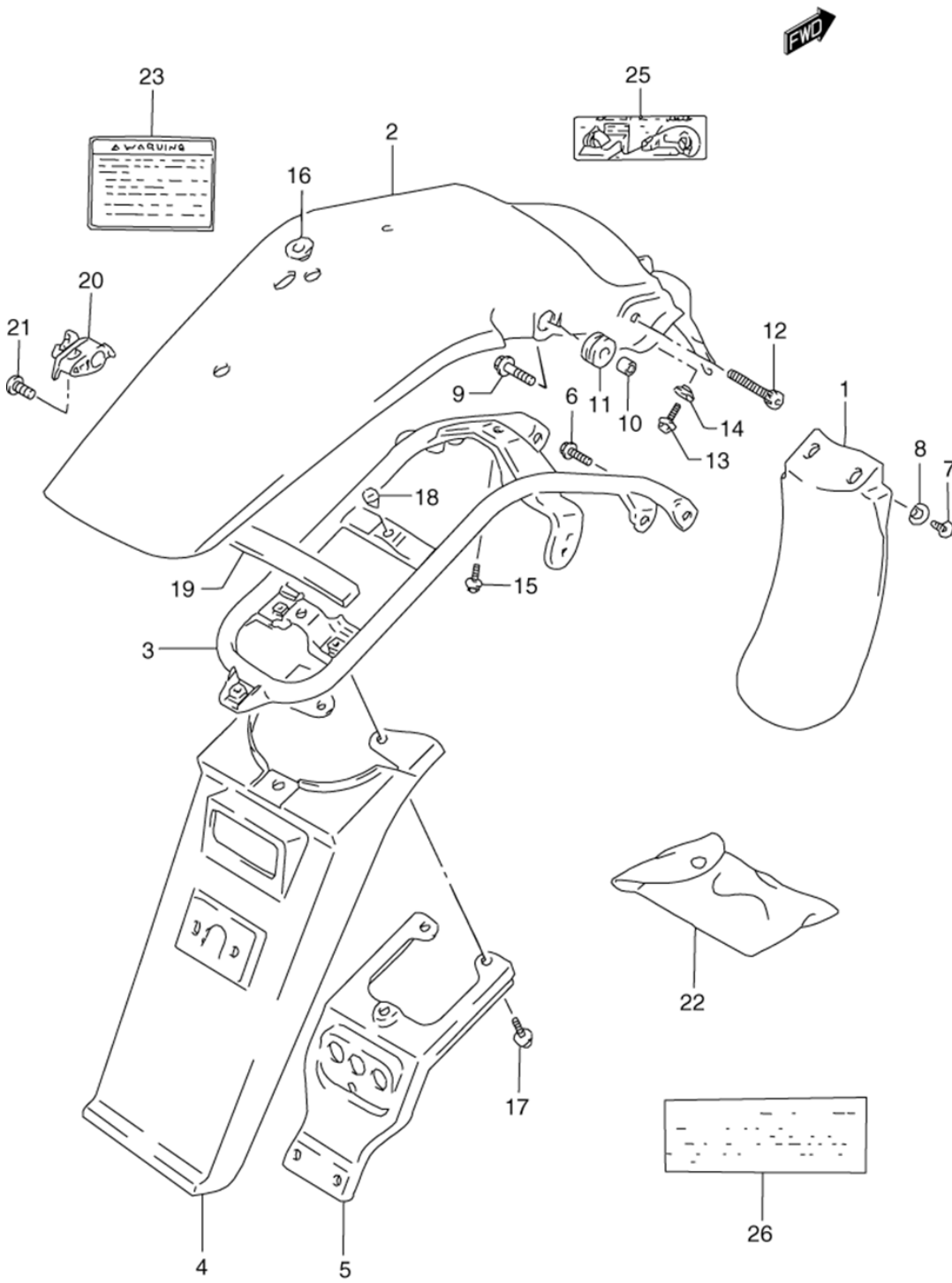


Table 40A. REAR FENDER (MODEL R S T)

Reference Number	Quantity Required	Part Number	Description
1	1	63112-14D00	BODY, REAR FENDER FRONT
2	1	63113-14D23-30H	BODY, REAR FENDER, REAR WHITE
3	1	63120-14D11	REINFORCEMENT, REAR FENDER
4	1	63311-03D20	EXTENSION, REAR FENDER
5	1	63320-03D03	REINFORCEMENT, EXTENSION
6-1	2	09103-08382	BOLT,8X12
6-2	2	09103-08275	BOLT, FRONT
7	2	02142-0612A	SCREW
8	2	09169-06055	WASHER
9	2	09103-08292	BOLT, CENTER
10	2	09180-08187	SPACER
11	2	09320-12011	CUSHION
12	2	09106-08105	BOLT, SPACER
13	1	01550-0616A	BOLT
14	1	09169-06038	WASHER
15	1	01580-0816A	BOLT
16	1	09160-14032	WASHER
17	3	01580-0616A	BOLT
18	1	09321-06013	CUSHION
19	1	63191-44A00	CUSHION
20	1	95700-03811	LOCK SET,HELMET
21	1	02112-0512A	.SCREW, VACUUM VALVE
22-1	1	09800-21024	TOOL ASSY
22-2	1	09800-21034	TOOL ASSY
23-1	1	68319-33E01	LABEL, WARNING
23-2	1	68319-33E01	LABEL, WARNING
24	1	68332-14D00	LABEL, TIRE AIR PRESSURE
25	1	68387-15D00	LABEL, PIPING DIAPHRAGM
26	1	68353-26E02	LABEL, MANUAL NOTICE

FIG.41

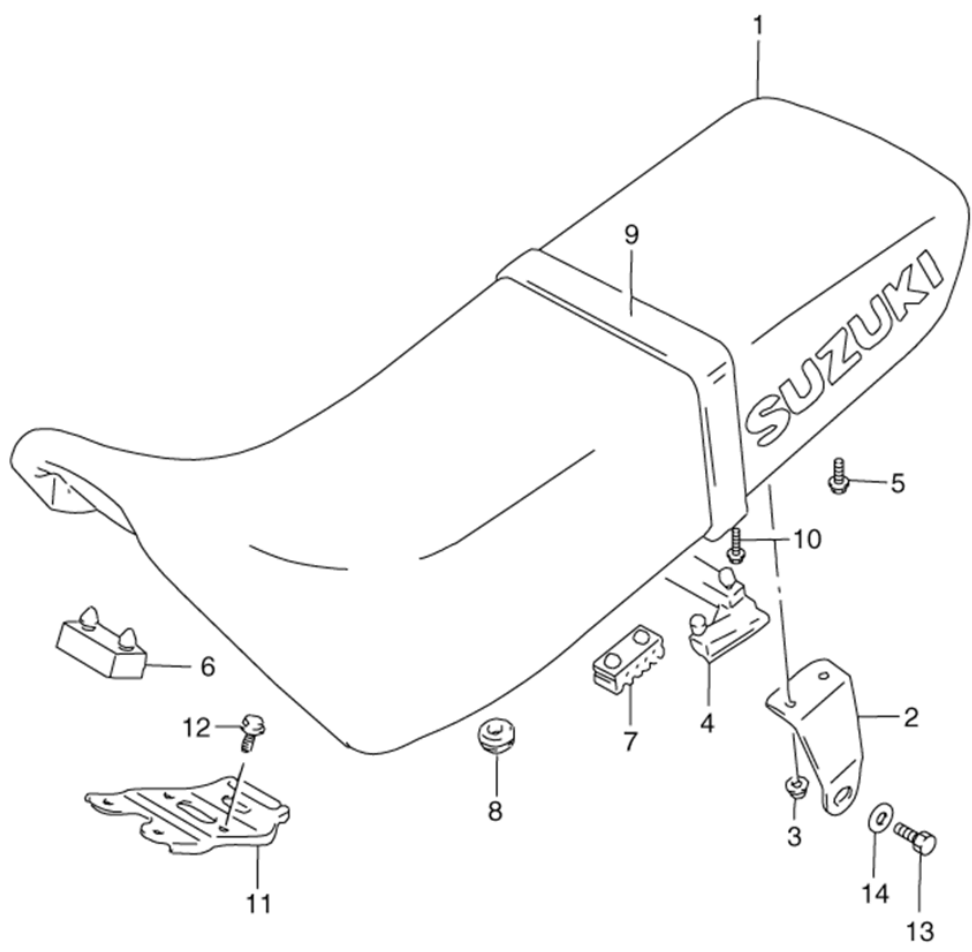


Table 41. SEAT

Reference Number	Quantity Required	Part Number	Description
1-1	1	45100-15D10-9DD	SEAT ASSY (BLUE/WHITE)
1-2	1	45100-15D10-E5J	SEAT ASSY (PURPLE/WHITE)
2-1	1	45116-14D00	.BRACKET, RH
2-2	1	45117-14D00	.BRACKET, LH
3	4	08316-1006B	NUT
4	1	45255-14D00	.CUSHION, SEAT
5-1	2	01550-06107	BOLT
5-2	2	01550-0610A	BOLT
6	3	09321-08006	.CUSHION
7	2	45149-31300	.CUSHION, CENTER (40X20X15)
8	2	09320-08013	CUSHION
9-1	1	45180-15D10-S04	BAND ASSY,SEAT
9-2	1	45180-15D10-R32	.BAND, SEA' (PURPLE)
10	2	01550-0620A	BOLT
11-1	1	45120-15D01	PLATE,SEAT SUPPORT FRONT
11-2	1	45120-15D01	PLATE,SEAT SUPPORT FRONT
12	2	01550-0812A	PLUG, OIL GALLERY
13-1	2	01500-0812A	BOLT
13-2	2	01550-0812A	PLUG, OIL GALLERY
14	2	08322-0108A	WASHER, SEAT DAMPER UPPER

FIG.42

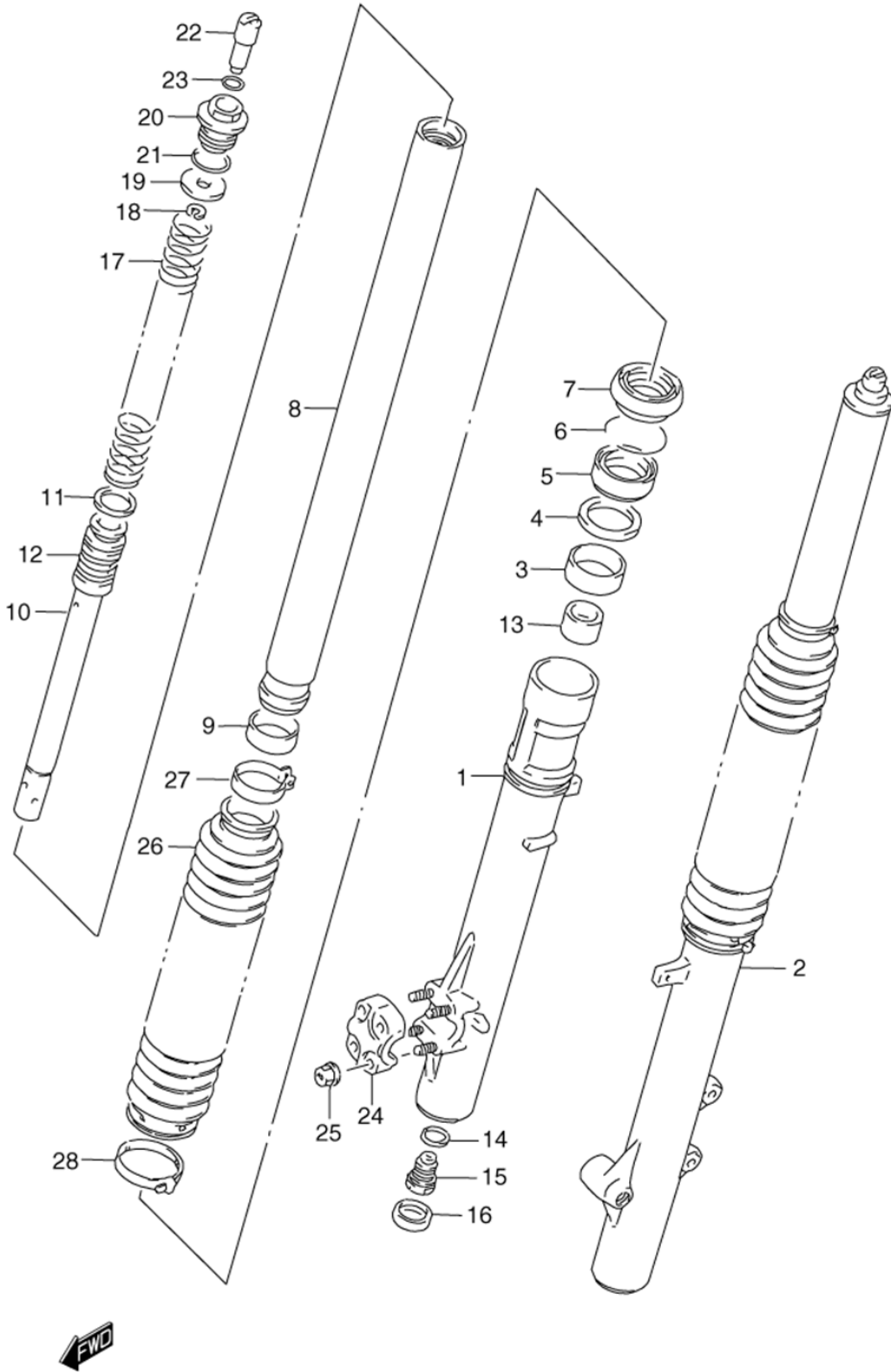


Table 42. FRONT DAMPER

Reference Number	Quantity Required	Part Number	Description
	1	51103-14D40	DAMPER ASSY, RH
	1	51104-14D40	DAMPER ASSY, LH
1	1	51130-14D00	.TUBE, OUTER RH
2	1	51140-14D00	.TUBE, OUTER LH
3	2	51152-07D00	.BUSH, GUIDE
4	2	51168-17C00	.SPACER, SEAL
5	2	51153-14D00	.SEAL, OIL
6	2	51556-38B00	.RING, STOPPER
7	2	51173-14D00	.SEAL, DUST
8-1	2	51110-14D40	.TUBE, INNER
8-2	2	51110-14D40	.TUBE, INNER
9	2	51121-14D00	.BUSH, SLIDE
10-1	2	51190-14D00	.CYLINDER
10-2	2	51190-14D40	.ROD, FRONT DAMPER
11	2	51196-14D00	.RING, PISTON
13	2	51195-14D00	.PIECE, OIL LOCK
14	2	51148-14D00	.GASKET
15-1	2	51170-14D00	.BOLT, PIECE
15-2	2	51170-14D40	.BOLT, PIECE
16	2	51512-14D00	.CAP
17-2	2	51171-14D40	.SPRING, FRONT
18	2	51788-11420	.E RING
19	2	51186-12C00	.SEAT, SPRING
20	2	51189-14D00	.BOLT, FORK
21	2	51117-17C00	.O RING
22	2	51185-14D00	.ADJUSTER, SPRING
23	2	09280-14011	O RING (D:2.5,ID:13.8)
24	1	51132-14D00	.HOLDER, AXLE RH
25	4	51168-14D00	.NUT, AXLE HOLDER
26-1	2	51571-14D00-38K	BOOT (BLUE)
26-2	2	51571-14D00-163	BOOT (YELLOW)
27	2	51575-14D00	BAND, BOOT UPPER
28	2	51576-14D00	BAND, BOOT LOWER

FIG.43

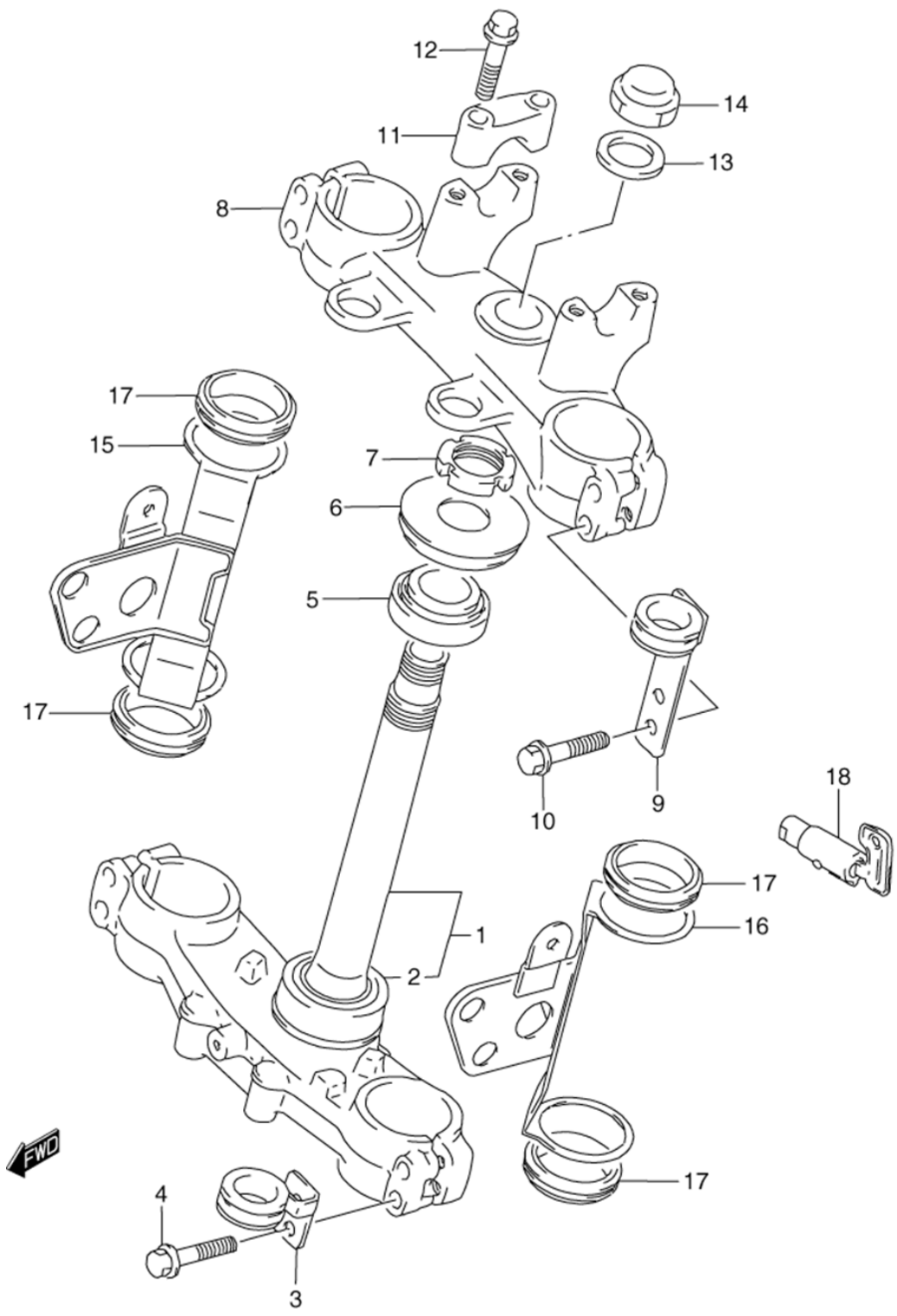


Table 43. STEERING STEM

Reference Number	Quantity Required	Part Number	Description
1	1	51410-14D10	STEM, STEERING
2	1	09265-30009	BEARING (30X55X17)
3	2	51453-03D10	GUIDE, CABLE LH LOWER
4	4	01550-08407	BOLT
5	1	09265-25019	BEARING (25X47X15)
6	1	51643-40200	DUST SEAL
7	1	51631-40200	NUT, STEM
8	1	51311-14D10	HEAD, STEERING STEM
9	1	51288-14D10	GUIDE, CABLE LH UPPER
10-1	4	01550-08407	BOLT
10-2	4	01550-0840A	BOLT
11	2	56211-27200-291	HOLDER, HANDLE UPPER (BLACK)
12-1	4	01550-0835A	BOLT
12-2	4	01550-0835A	BOLT
13	1	51354-14D00	WASHER
14-1	1	51353-24B00	NUT
14-2	1	51353-24B00	NUT
14-3	1	51353-24B00	NUT
15	1	51530-15D00	BRACKET, HOUSING RH
16	1	51540-15D00	BRACKET, HOUSING LH
17	4	51553-15D00	RUBBER, DAMPER
18	1	51900-30901	LOCK ASSY, STEERING

FIG.44

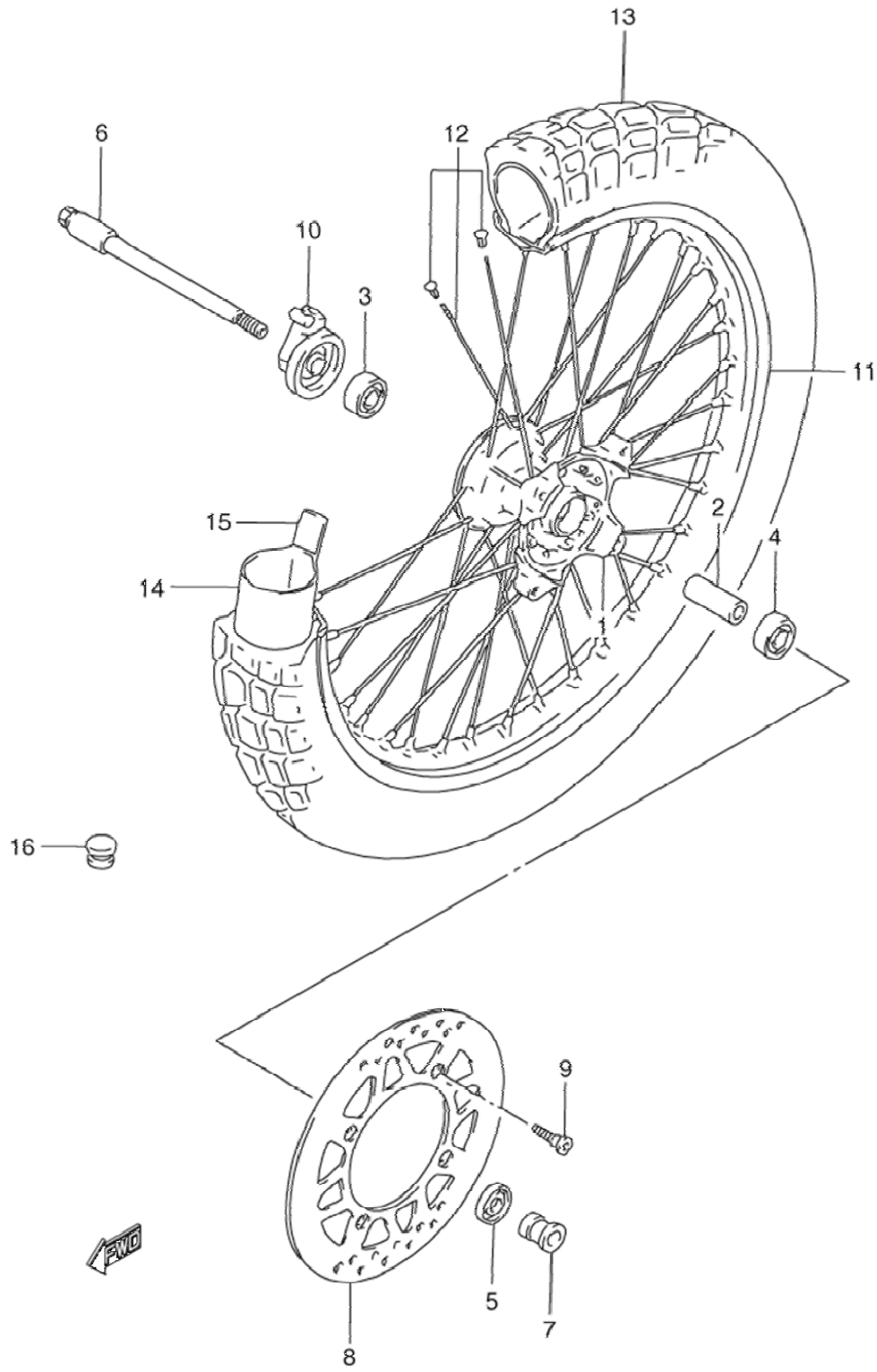


Table 44. FRONT WHEEL

Reference Number	Quantity Required	Part Number	Description
1	1	54111-15D00	HUB, FRONT WHEEL
2	1	54731-44B00	SPACER, HUB BEARING
3	1	08113-62027	BEARING, RH
4	1	08123-62027	BEARING, FRONT WHEEL
5	1	09284-22004	SEAL, FRONT WHEEL DUST
6	1	54711-14D00	AXLE, FRONT
7	1	54751-14D00	SPACER, AXLE LH
8	1	59221-14D00	DISC, FRONT BRAKE
9-1	4	09106-08155	BOLT, DISC
9-2	4	09106-08155	BOLT, DISC
10	1	54600-14D00	BOX ASSY, SPEEDOMETER GEAR
11	1	55311-08D01	RIM, FRONT WHEEL (1.60x21)
12	1	55320-44B00	SPOKE SET, FRONT WHEEL
13-1	1	55110-08D10	TIRE, FRONT (80/100-21)
13-2	1	55110-08D10	TIRE, FRONT (80/100-21)
13-3	1	55110-15D50	TIRE, FRONT (80/100-21)
14	1	55200-16510	TUBE ASSY, WHEEL INNER
15	1	55261-14540	PROTECTOR, INNER TUBE
16	1	09250-08013	CAP

FIG.45

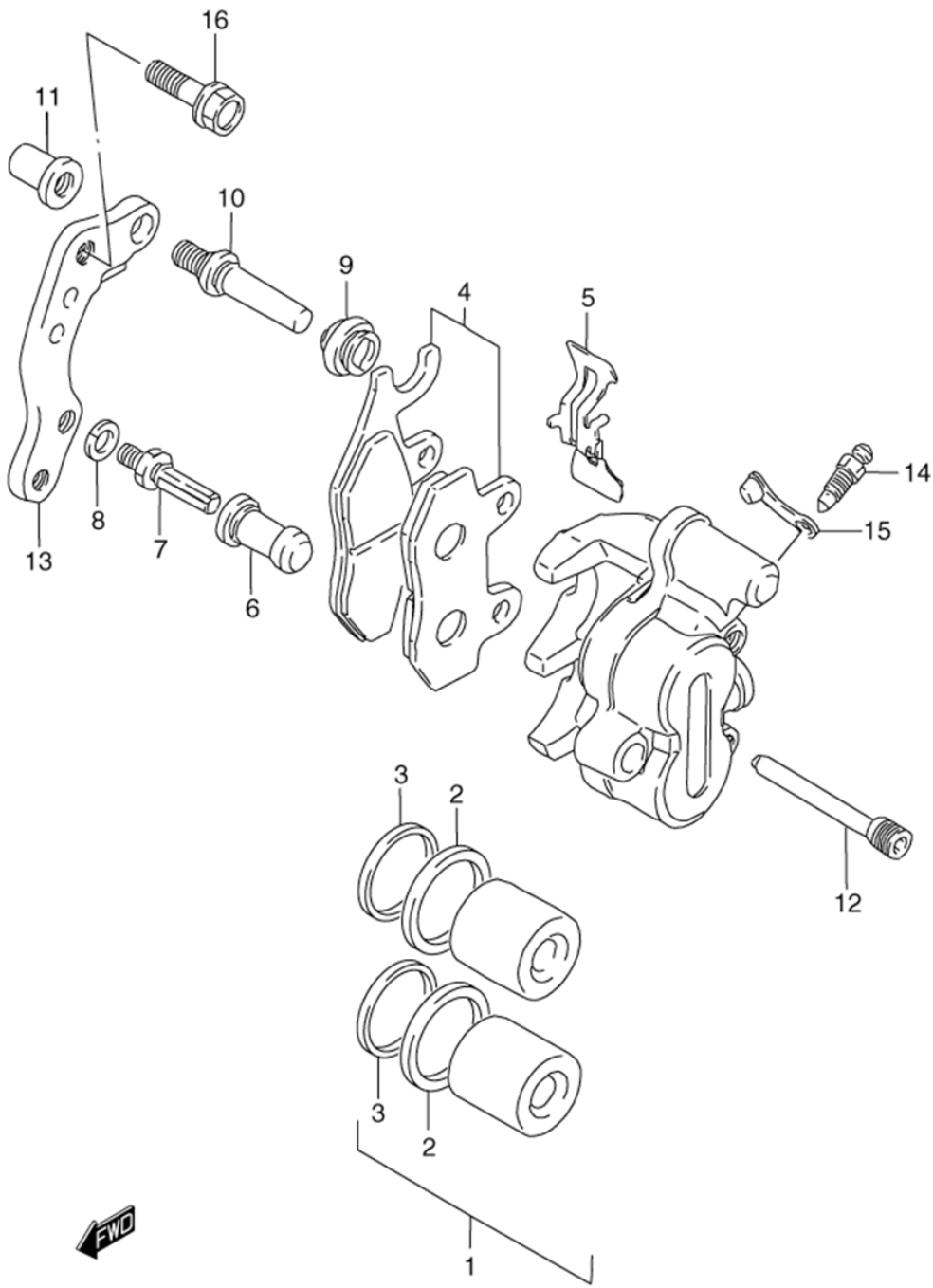


Table 45. FRONT CALIPER

Reference Number	Quantity Required	Part Number	Description
	1	59300-08D00-999	CALIPER ASSY,FR
1	1	59300-26840	.PISTON SET
2	2	69100-36810	..SEAL SET, PISTON
4	1	59300-08810	.PAD SET
5	1	59315-00B20	.SPRING, PAD
6	1	59386-13A00	.BOOT
7	1	59382-13A00	.BOLT
8	1	59314-13A00	.WASHER
9	1	59303-14500	.BOOT
10	1	59387-00B20	.PIN
11	1	59388-00B20	.NUT
12	2	59345-00B20	.PIN
13	1	59351-00B20	.BRACKET, RH
14	1	59121-01A00	.BLEEDER
15	1	59122-01A00	.CAP, BLEEDER
16	2	09103-08226	BOLT (8X24)

FIG.46

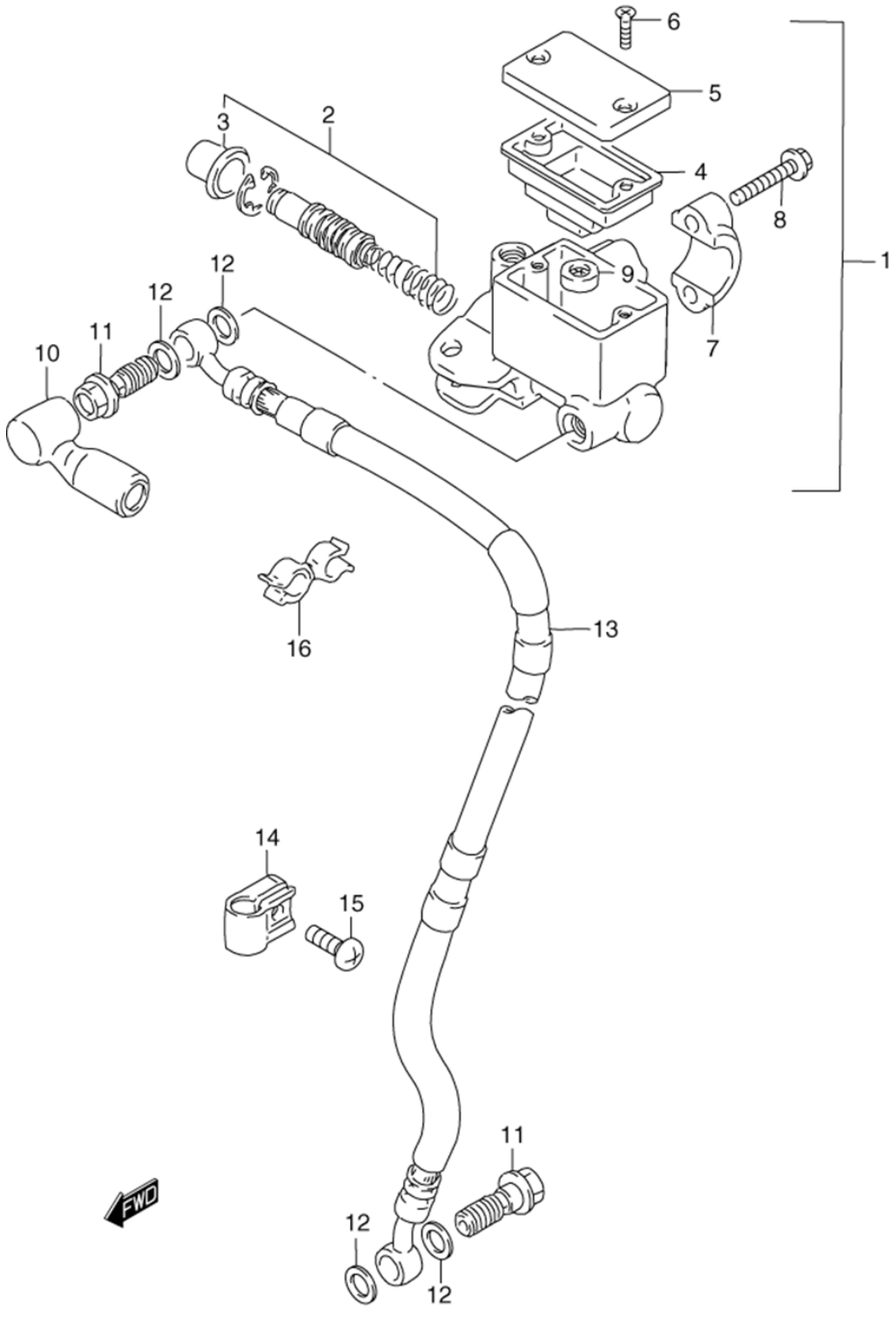


Table 46. FRONT MASTER CYLINDER

Reference Number	Quantity Required	Part Number	Description
1	1	59600-03D00	CYLINDER ASSY, FRONT MASTER
2	1	69600-38810	.PISTON/CUP SET
3	1	59666-44300	..BOOT
4	1	59667-44B00	.DIAPHRAGM
5	1	59669-03D00	.CAP
6	2	02122-0412A	SCREW
7	1	59671-03D00	.HOLDER
8	2	59675-27C00	.BOLT
9	1	59748-14500	.SEPARATOR
10	1	59711-04700	BOOT, CLUTCH MASTER
11-1	2	09360-10017	BOLT (10X1.00X24)
11-2	2	09360-10061	UNION
12	4	09161-10009	WASHER (10X15X1.5)
13	1	59480-15D01	HOSE, FRONT BRAKE
14	1	58621-07A10	CLAMP, BRAKE HOSE
15-1	1	02112-1616A	SCREW
15-2	1	02142-0616A	SCREW
16	1	09408-00145	CLIP

FIG.47

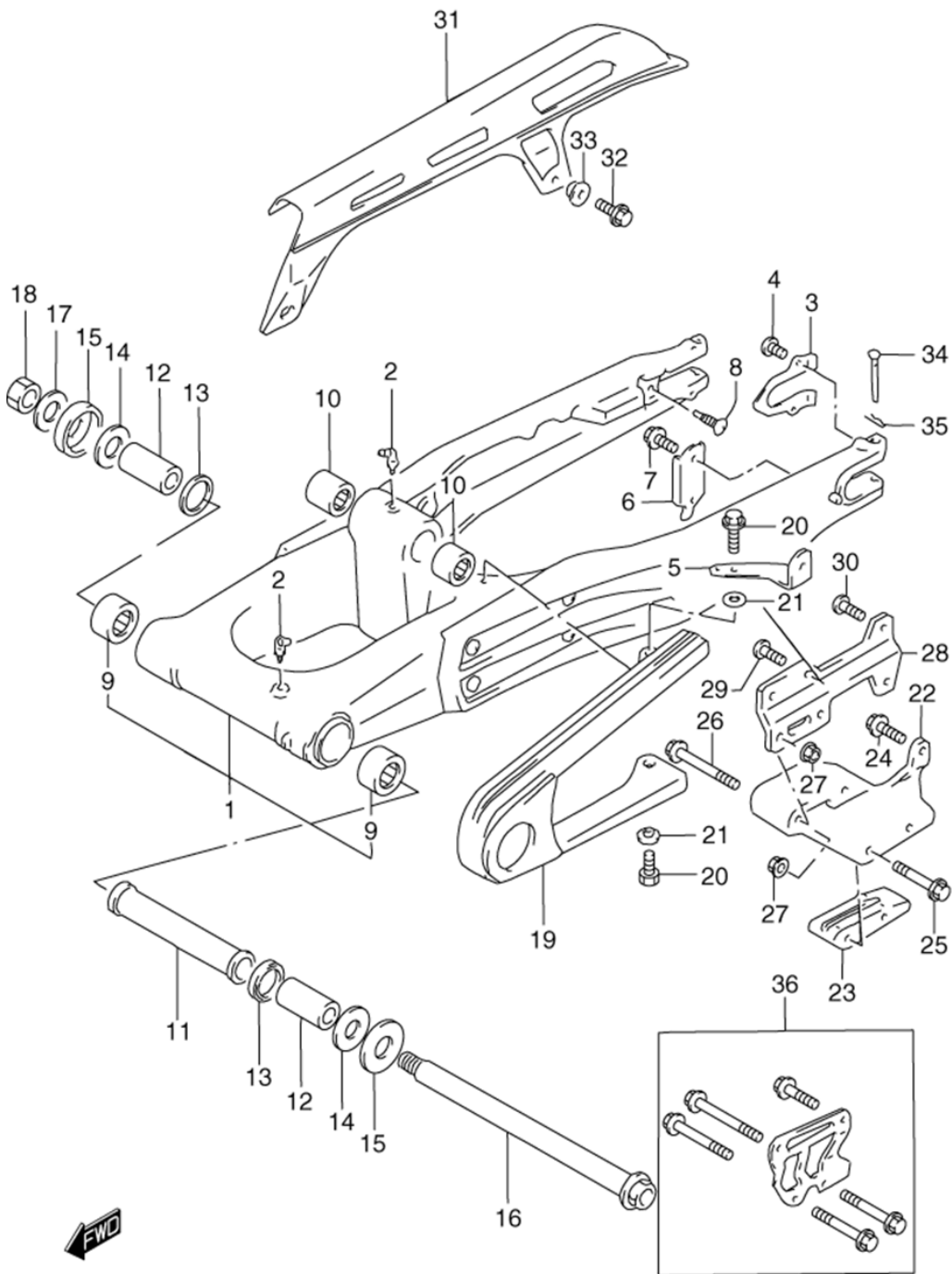


Table 47. REAR SWINGING ARM (MODEL L M N P)

Reference Number	Quantity Required	Part Number	Description
1-1	1	61000-14D11	SWINGING ARM ASSY, REAR
1-2	1	61000-14D20	SWINGING ARM ASSY, REAR
2	2	08351-3100A	NIPPLE,GREASE
3	2	61128-14D00	.PLATE, REAR
4	4	09125-05072	SCREW
5	1	61142-15D00	.PLATE, FRONT
6-1	1	61144-15D00	.PLATE, REAR
6-2	1	61144-15D10	PLATE, CHAIN CASE, REAR
7	1	09103-05013	BOLT (5x8)
8	2	09139-10001	.SCREW (10X21)
9	2	09263-22017	.BEARING, PIVOT (22X29X30)
10	2	09263-20071	.BEARING, CENTER (20X27X23.5)
11	1	09180-17097	.SPACER, PIVOT CENTER
12	2	61251-14D00	SPACER, PIVOT BEARING
13	2	09285-22001	.SEAL, INNER (22X29X4)
14	2	08211-17341	THRUST WASHER
15	2	61262-28C10	COVER, PIVOT
16	1	61211-14D00	SHAFT, PIVOT
17	1	08322-01167	WASHER
18	1	09159-16007	NUT
19	1	61273-14D00	BUFFER, CHAIN TOUCH DEFENSE
20	2	01500-06167	BOLT, FUEL COOLER
21	2	09169-06057	WASHER
22	1	61341-27C00	GUIDE, CHAIN
23	1	61348-14D00	DEFENSE, CHAIN GUIDE
24	1	01550-06257	..BOLT
25	2	01550-06457	BOLT
26	2	01550-06557	.BOLT
27	5	08319-31067	.NUT, AXLE HOLDER
28	1	61154-14D00	BRACKET, CHAIN GUIDE
29-1	2	09139-06067	SCREW (6X16)
29-2	2	01550-06167	.BOLT, REMOCON CABLE HOLDER
30-1	1	09139-06062	BOLT, GUARD
30-2	1	01550-06127	BOLT
31	1	61310-14A00	CHAIN CASE
32	2	01550-0610A	BOLT
33	2	09169-06026	WASHER
34	2	09200-06065	PIN, REAR AXLE
35	2	09385-06012	CLIP

FIG.47A

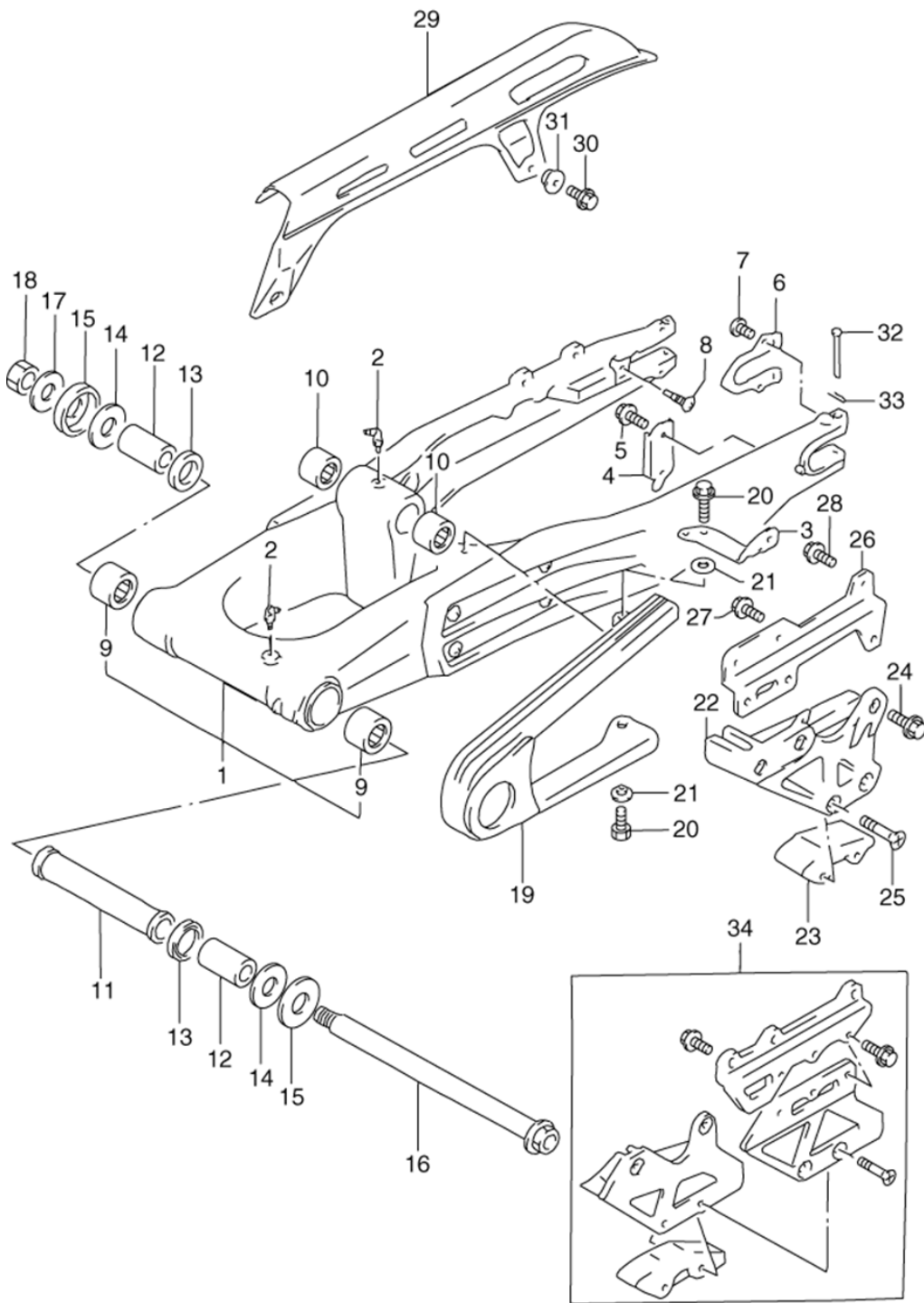


Table 47A. REAR SWINGING ARM (MODEL R S T)

Reference Number	Quantity Required	Part Number	Description
1-1	1	61000-14D50	SWINGING ARM ASSY, REAR
1-2	1	61000-14D50	SWINGING ARM ASSY, REAR
2	2	08351-3100A	NIPPLE,GREASE
3	1	61140-15D10	PLATE, CHAIN CASE, FRONT
4	1	61144-15D10	PLATE, CHAIN CASE, REAR
5	1	09103-05013	BOLT (5x8)
6	2	61128-14D00	.PLATE, REAR
7	4	09125-05072	SCREW
8	2	09139-10001	.SCREW (10X21)
9	2	09263-22017	.BEARING, PIVOT (22X29X30)
10	2	09263-20071	.BEARING, CENTER (20X27X23.5)
11	1	09180-17097	.SPACER, PIVOT CENTER
12	2	61251-14D00	SPACER, PIVOT BEARING
13	2	09285-22001	.SEAL, INNER (22X29X4)
14	2	08211-17341	THRUST WASHER
15	2	61262-28C10	COVER, PIVOT
16	1	61211-14D00	SHAFT, PIVOT
17	1	08322-0116A	WASHER
18	1	09159-16007	NUT
19	1	61273-14D00	BUFFER, CHAIN TOUCH DEFENSE
20	2	01500-0616A	BOLT
21	2	09169-06057	WASHER
22	1	61340-15E00	GUIDE, CHAIN
23	1	61348-15E00	DEFENSE, CHAIN GUIDE
24	3	01550-0616A	BOLT
25	2	02122-06503	SCREW, LOWER
26	1	61154-14D00	BRACKET, CHAIN GUIDE
27	2	01550-0616A	BOLT
28	1	01550-0612A	BOLT
29	1	61310-14A00	CHAIN CASE
30	2	01550-0610A	BOLT
31	2	09169-06026	WASHER
32	2	09200-06065	PIN, REAR AXLE
33	2	09385-06012	CLIP
34	1	61300-14811	GUIDE SET,CHAIN

FIG.48

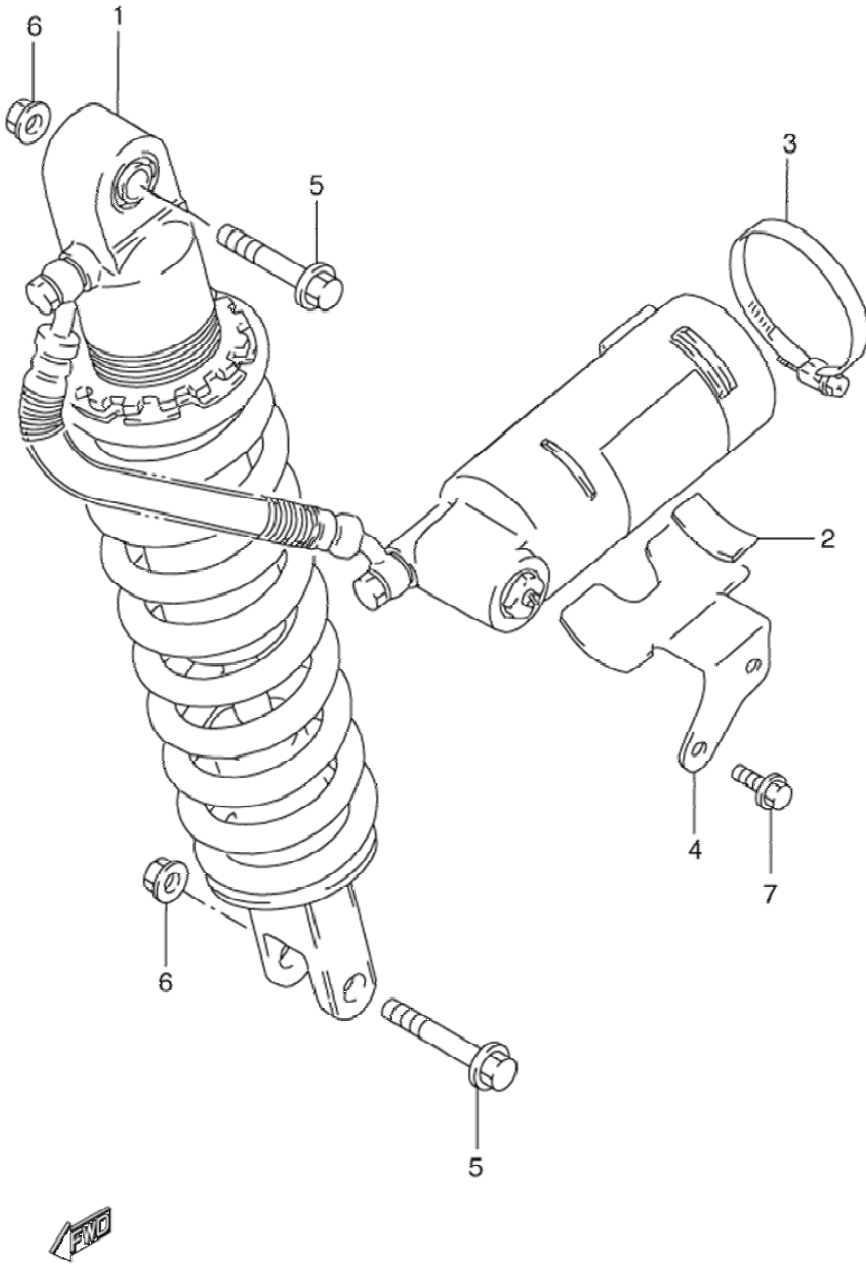
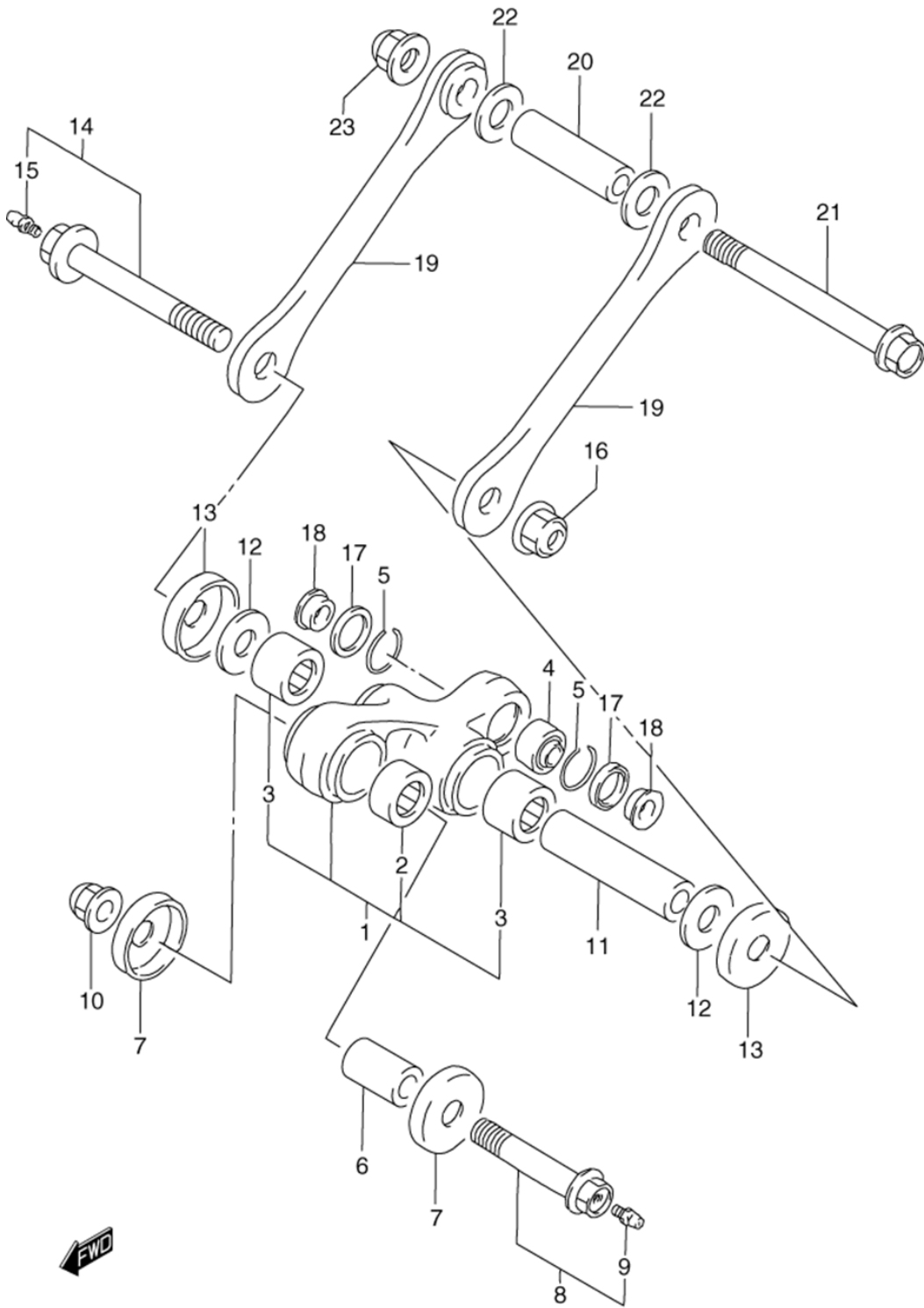


Table 48. REAR SHOCK ABSORBER

Reference Number	Quantity Required	Part Number	Description
1-1	1	62100-14D90-1TS	ABSORBER, RR SH
1-2	1	62100-14D90-1TS	ABSORBER, RR SH
1-3	1	62100-14D90-1TS	ABSORBER, RR SH
1-4	1	62100-14E61-1TS	ABSORBER ASSY, REAR SHOCK (WHI
1-5	1	62100-14E61-1TS	ABSORBER ASSY, REAR SHOCK (WHI
2-1	2	53146-20C00	CUSHION, FENDER UNDER
2-2	2	53146-20C00	CUSHION, FENDER UNDER
3	2	09402-60502	CLAMP
4	1	62420-14D10	.BRACKET, TANK
5-1	2	62311-28E00	BOLT, LOWER (10X54) (MODEL L/M/N/PMODEL R/S/TUPPER)
5-3	1	62648-14500	BOLT (MODEL R/S/TLOWER)
6	2	09159-10115	NUT
7-1	2	01550-06107	BOLT
7-2	2	01550-0610A	BOLT

FIG.49



FWD

Table 49. REAR CUSHION LEVER

Reference Number	Quantity Required	Part Number	Description
1	1	62602-14850	LEVER SET, REAR CUSHION
2	1	09263-20074	.BEARING, 20X27X32
3	2	09263-20071	.BEARING, CENTER (20X27X23.5)
4	1	62175-00B00	.BEARING, REAR (10X24X14.5)
5	2	62657-34A01	.RING, STOPPER
6	1	62317-05D00	SPACER
7	2	62162-28E00	SEAL, FRONT DUST
8	1	62650-14D00	BOLT, FRONT
9	1	08351-2100A	NIPPLE,GREASE
10	1	08319-3112A	NUT
11	1	62626-14D00	SPACER, CENTER
12	2	08211-14321	THRUST WASHER
13	2	62683-27C00	SEAL, DUST
14	1	62620-14D00	BOLT, ROD
15	1	08351-2100A	NIPPLE,GREASE
16	1	08319-3114A	NUT, REAR CUSHION ROD
17	2	09285-17001	SEAL, RR CUSHION ROD
18	2	62684-27C10	SPACER, REAR
19	2	62640-14D00	ROD, REAR CUSHION
20	1	62646-14D00	SPACER, ROD
21-1	1	62621-17C00	BOLT, ROD (14X112)
21-2	1	62622-14D10	BOLT
22	2	08211-14323	WASHER, FRONT
23	1	08319-3114A	NUT, REAR CUSHION ROD

FIG.50

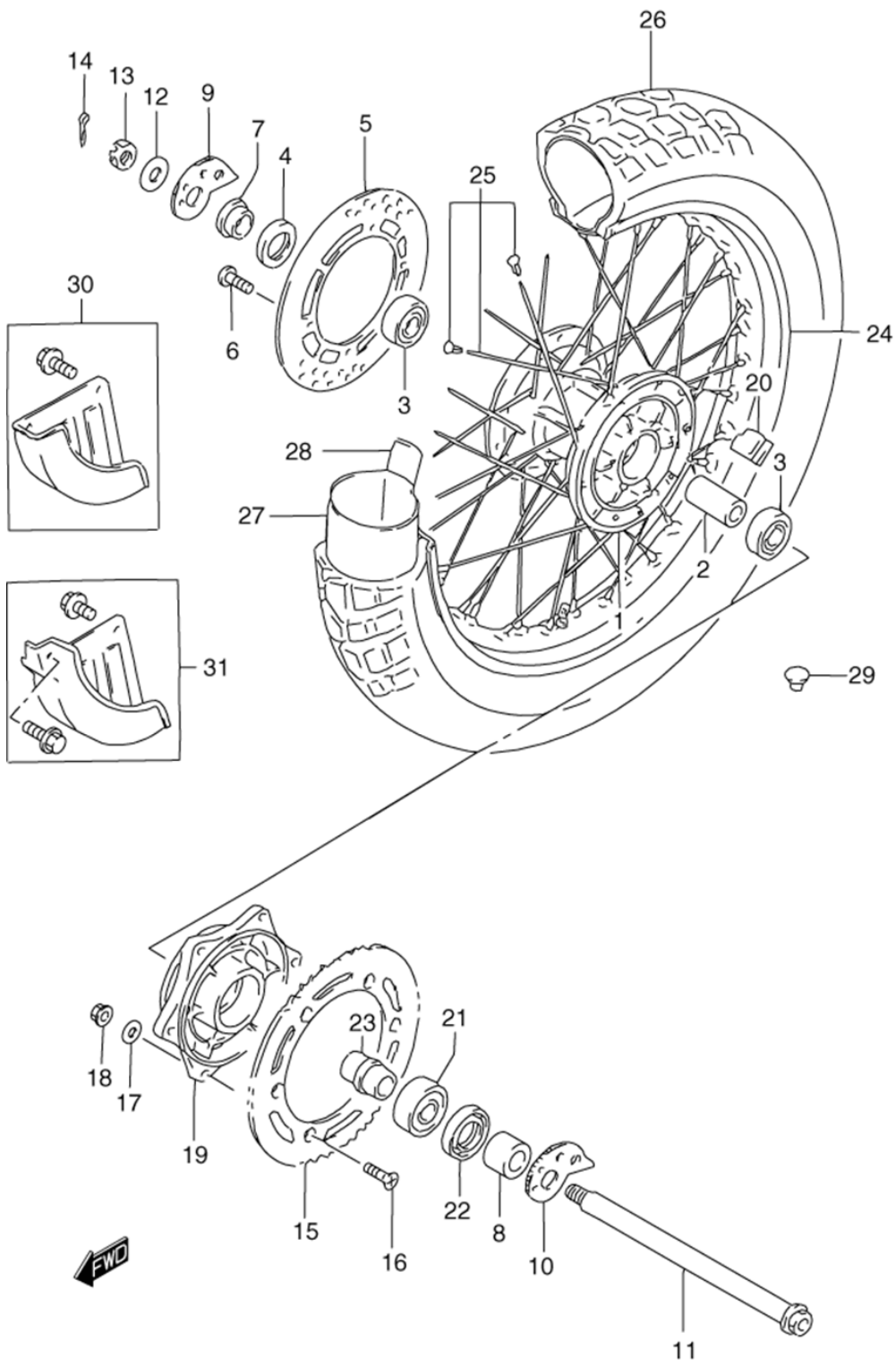


Table 50. REAR WHEEL (MODEL L M N P R S)

Reference Number	Quantity Required	Part Number	Description
1	1	64111-15D00	HUB, REAR WHEEL
2	1	64731-15D00	SPACER, HUB BEARING
3	2	08123-62047	BEARING, REAR HUB
4	1	09283-26019	OIL SEAL, LH (26X47X5)
5	1	69211-03D01	DISC, REAR BRAKE
6-1	4	09106-08128	BOLT
6-2	4	09106-08128	BOLT
7	1	64741-05D00	SPACER, RH
8	1	64751-15D00	SPACER, LH
9-1	1	61420-05D00	ADJUSTER, CHAIN, LH
9-2	1	61410-14D10	ADJUSTER, CHAIN RH (T:4.0)
10-1	1	61421-14D00	ADJUSTER, CHAIN LH (T:3.2)
10-2	1	61421-14D10	ADJUSTER, CHAIN LH (T:4.0)
11-1	1	64710-14D20	AXLE, REAR (L:282)
11-2	1	64711-15D50	AXLE, REAR (L:283.5)
12	1	09160-19022	WASHER
13-1	1	08314-40187	NUT
13-2	1	08314-4018A	NUT
14	1	04111-4030A	PIN
15-1	1	64511-22D11	SPROCKET, REAR, N (MODEL L/M/N->64511-22D10)
15-2	1	64511-22D11	SPROCKET, REAR, N
15-3	1	64511-15D50	SPROCKET, REAR (NT:41)
16	6	09120-08010	SCREW (8X30.5)
17-1	6	08322-01087	WASHER
17-2	6	08322-0108A	WASHER, SEAT DAMPER UPPER
18	6	08319-31087	NUT
19	1	64611-15D01	DRUM, REAR SPROCKET
20	6	64651-15D00	ABSORBER, HUB SHOCK
21	1	09262-25061	BEARING (25X52X15)
22	1	09283-34003	SEAL, DUST (34X52X6)
23	1	64733-15D00	RETAINER, SPROCKET DRUM
25	1	65320-15D00	SPOKE ASSY, REAR WHEEL
26-1	1	65110-08D10	TIRE, REAR (110/90-18)
26-2	1	65110-08D10	TIRE, REAR (110/90-18)
26-3	1	65110-15D50	TIRE, REAR (110/90-18) DUNLOP
27	1	65200-42AA0	TUBE ASSY, WHEEL INNER
28	1	65261-15D00	PROTECTOR, INNER TUBE
29	1	09250-08013	CAP
30	1	69200-27C00	COVER SET, REAR DISC (MODEL L/MFOR 69100-15D00OPT, OFF ROAD USE ONLY)
31	1	69200-28C00	COVER, REAR DISC (MODEL N/P/R/SFOR 69100-15D10, 69100-15D20OPT, OFF ROAD USE ONLY)

FIG.50A

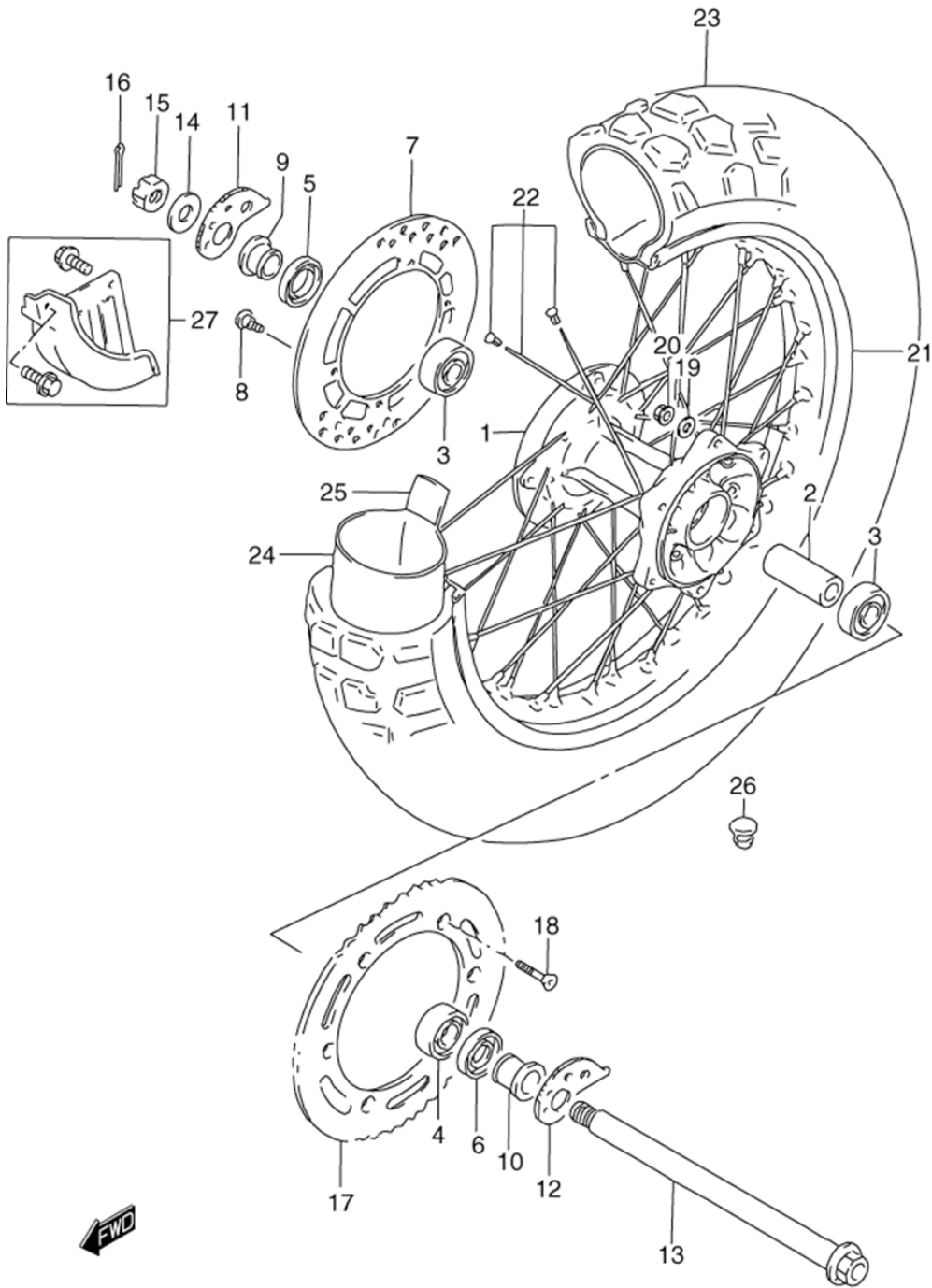


Table 50A. REAR WHEEL (MODEL T)

Reference Number	Quantity Required	Part Number	Description
1	1	64111-14D10	HUB, REAR WHEEL
2	1	64731-14D00	SPACER, BEARING
3	2	08133-60047	BEARING, LH
4	1	08123-62047	BEARING, REAR HUB
5	1	09282-26001	OIL SEAL, RH (26X42X8)
6	1	09283-26019	OIL SEAL, LH (26X47X5)
7	1	69211-03D10	DISC, REAR BRAKE
8	4	09106-08155	BOLT, DISC
9	1	64741-14D00	SPACER, REAR AXLE RH
10	1	64751-14D00	SPACER, AXLE LH
11	1	61410-14D10	ADJUSTER, CHAIN RH (T:4.0)
12	1	61421-14D10	ADJUSTER, CHAIN LH (T:4.0)
13	1	64711-15D50	AXLE, REAR (L:283.5)
14	1	09160-19022	WASHER
15	1	08314-4018A	NUT
16	1	04111-4030A	PIN
17	1	64511-14E00	SPROCKET, REAR (NT:41-520)
18	6	09120-08004	BOLT (8X20)
19	6	08322-0108A	WASHER, SEAT DAMPER UPPER
20	6	08319-31087	NUT
21	1	65311-08D00	RIM, REAR WHEEL (2.15x18)
22	1	65320-03D10	SPOKE ASSY, REAR WHEEL
23	1	65110-15D50	TIRE, REAR (110/90-18) DUNLOP
24	1	65200-42AA0	TUBE ASSY, WHEEL INNER
25	1	65261-15D00	PROTECTOR, INNER TUBE
26	1	09250-08013	CAP
27	1	69200-28C00	COVER, REAR DISC

FIG.51

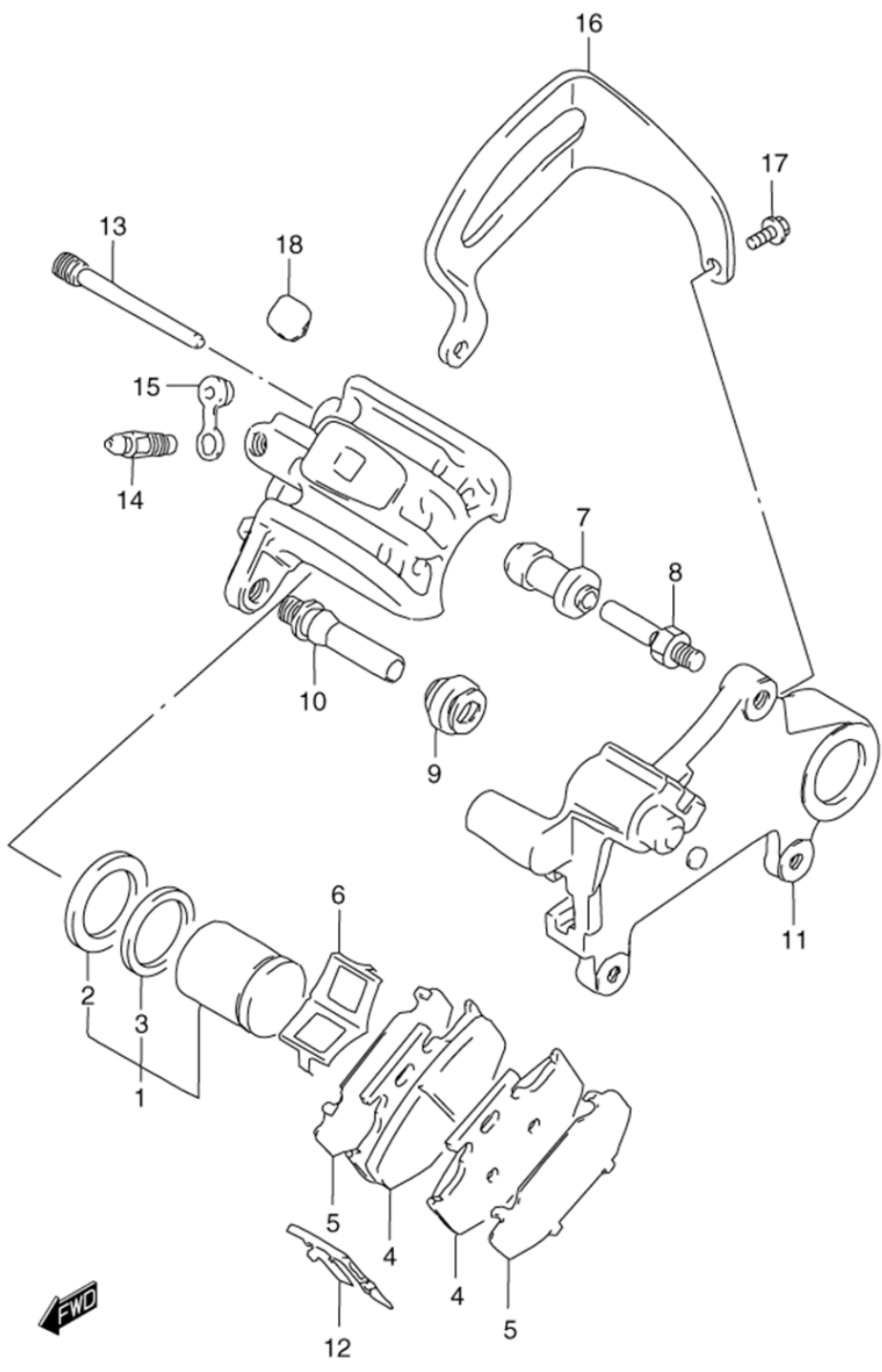


Table 51. REAR CALIPER (MODEL L M)

Reference Number	Quantity Required	Part Number	Description
	1	69100-15D00	CALIPER ASSY, REAR
1	1	69100-03810	.PISTON SET
2	1	69100-13810	..SEAL SET, PISTON
4	2	69100-15810	.PAD SET
5	2	69132-28C00	.SHIM
6	1	59315-27C10	.SPRING
7	1	59386-13A00	.BOOT
8	1	59382-27C30	.BOLT
9	1	59303-14500	.BOOT
10	1	59305-27C00	.PIN
11	1	69351-27C00	.BRACKET
12	1	69113-27C00	.RETAINER
13	2	59345-14600	.PIN
14	1	59121-01A00	.BLEEDER
15	1	59122-01A00	.CAP, BLEEDER
16	1	69725-27C20	GUARD, CALIPER
17	2	01547-06107	BOLT
18	1	69171-14D00	COVER, CALIPER BODY

FIG.51A

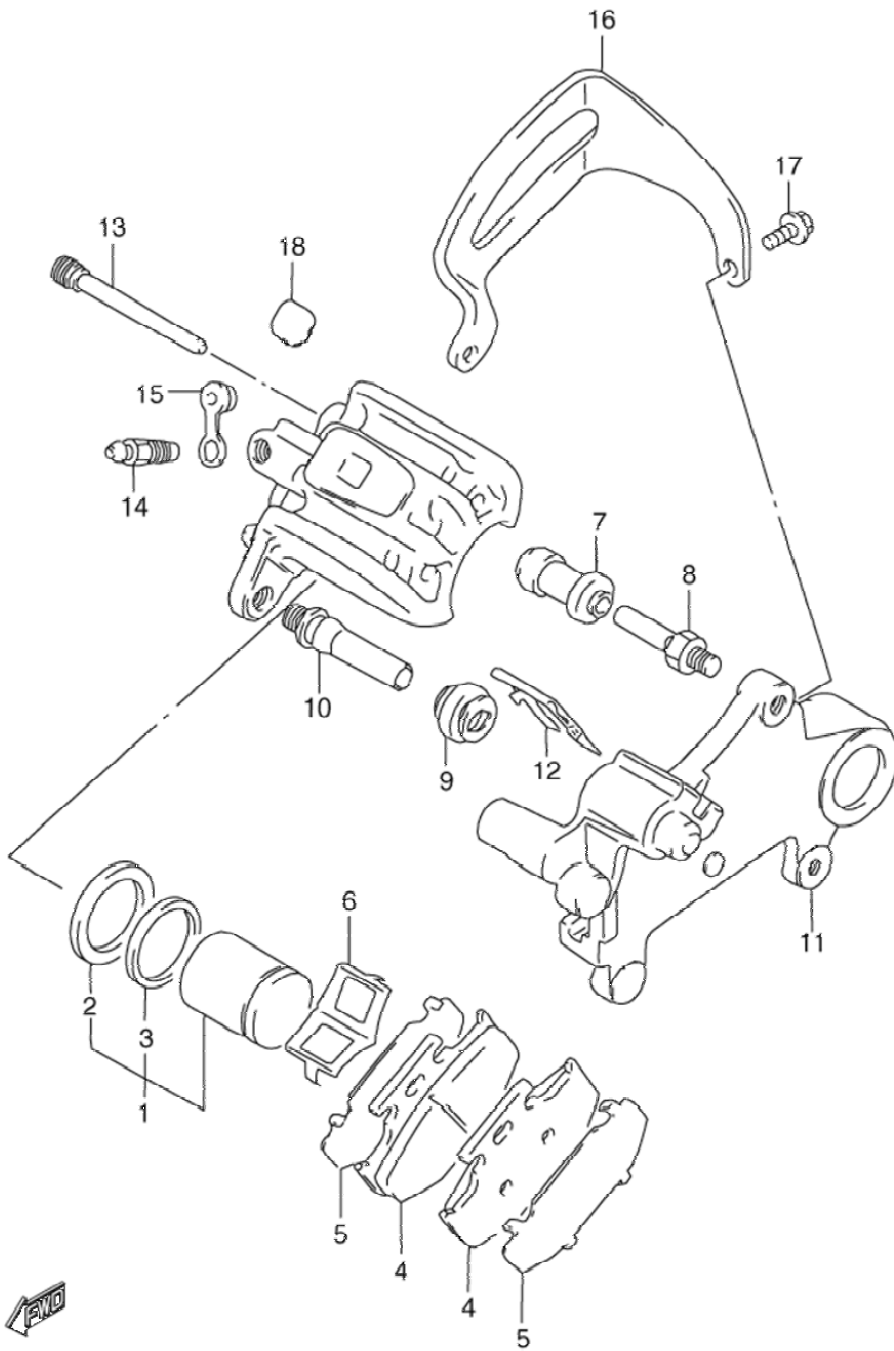


Table 51A. REAR CALIPER (MODEL N P)

Reference Number	Quantity Required	Part Number	Description
	1	69100-15D10	CALIPER ASSY, REAR
1	1	69100-03810	.PISTON SET
2	1	69100-13810	..SEAL SET, PISTON
4	2	69100-15810	.PAD SET
5	2	69132-28C00	.SHIM
6	1	59315-27C10	.SPRING
7	1	59386-13A00	.BOOT
8	1	59382-27C30	.BOLT
9	1	59303-14500	.BOOT
10	1	59305-27C00	.PIN
11	1	69351-05D00	.BRACKET
12	1	69113-43D00	.RETAINER
13	2	59345-14600	.PIN
14	1	59121-01A00	.BLEEDER
15	1	59122-01A00	.CAP, BLEEDER
16	1	69725-27C20	GUARD, CALIPER
17	2	01547-06107	BOLT
18	1	69171-14D00	COVER, CALIPER BODY

FIG.51B

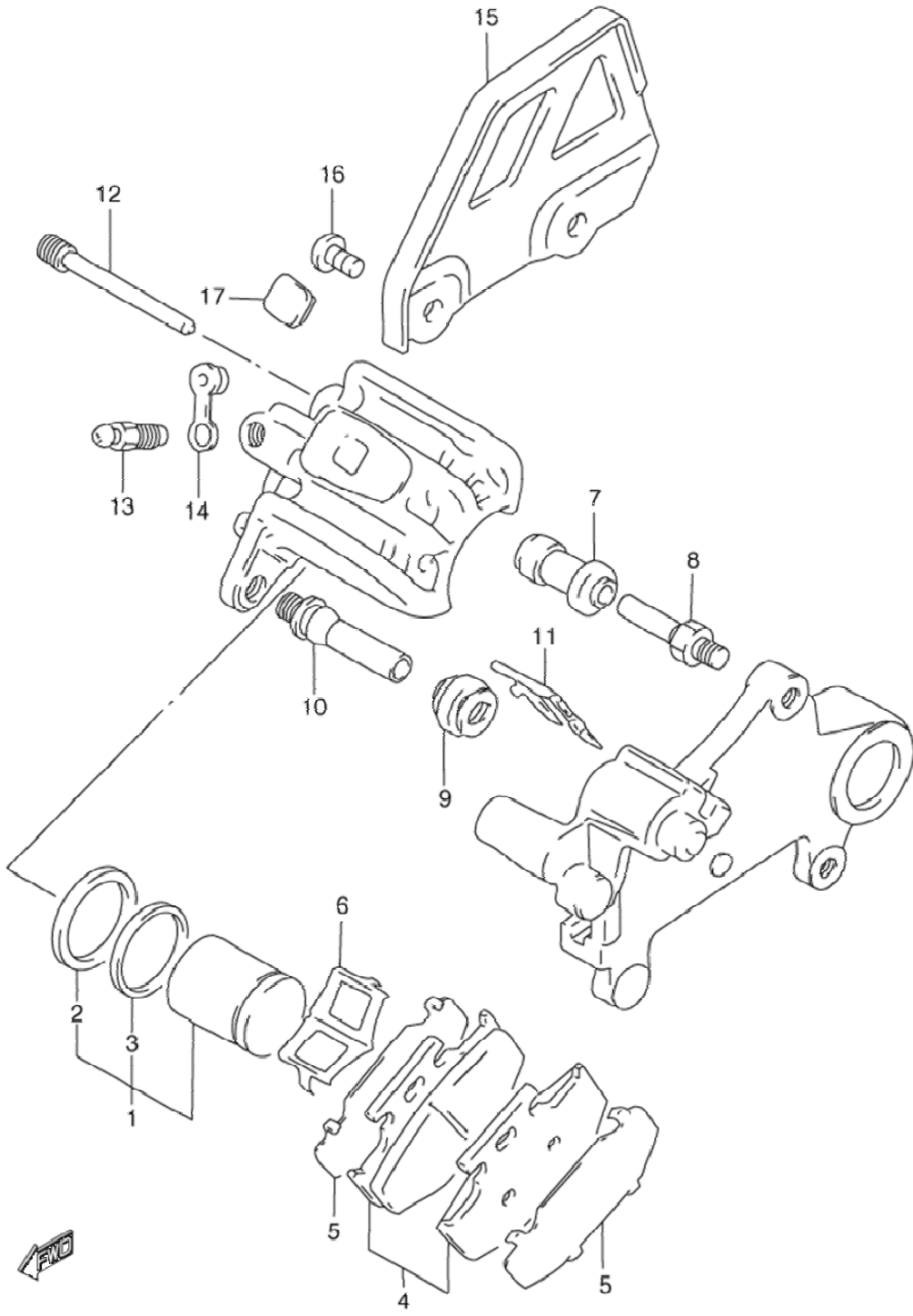


Table 51B. REAR CALIPER (MODEL R S T)

Reference Number	Quantity Required	Part Number	Description
1	1	69100-03810	.PISTON SET
2	1	69100-13810	..SEAL SET, PISTON
4	1	69100-15810	.PAD SET
5	2	69132-28C00	.SHIM
6	1	59315-27C10	.SPRING
7	1	59386-13A00	.BOOT
8	1	59382-27C30	.BOLT
9	1	59303-14500	.BOOT
10	1	59305-27C00	.PIN
11	1	69113-43D00	.RETAINER
12	2	59345-14600	.PIN
13	1	59121-01A00	.BLEEDER
14	1	59122-01A00	.CAP, BLEEDER
15	1	69725-14D00	GUARD, CALIPER
16	2	02142-0612A	SCREW
17	1	69171-14D00	COVER, CALIPER BODY

FIG.52

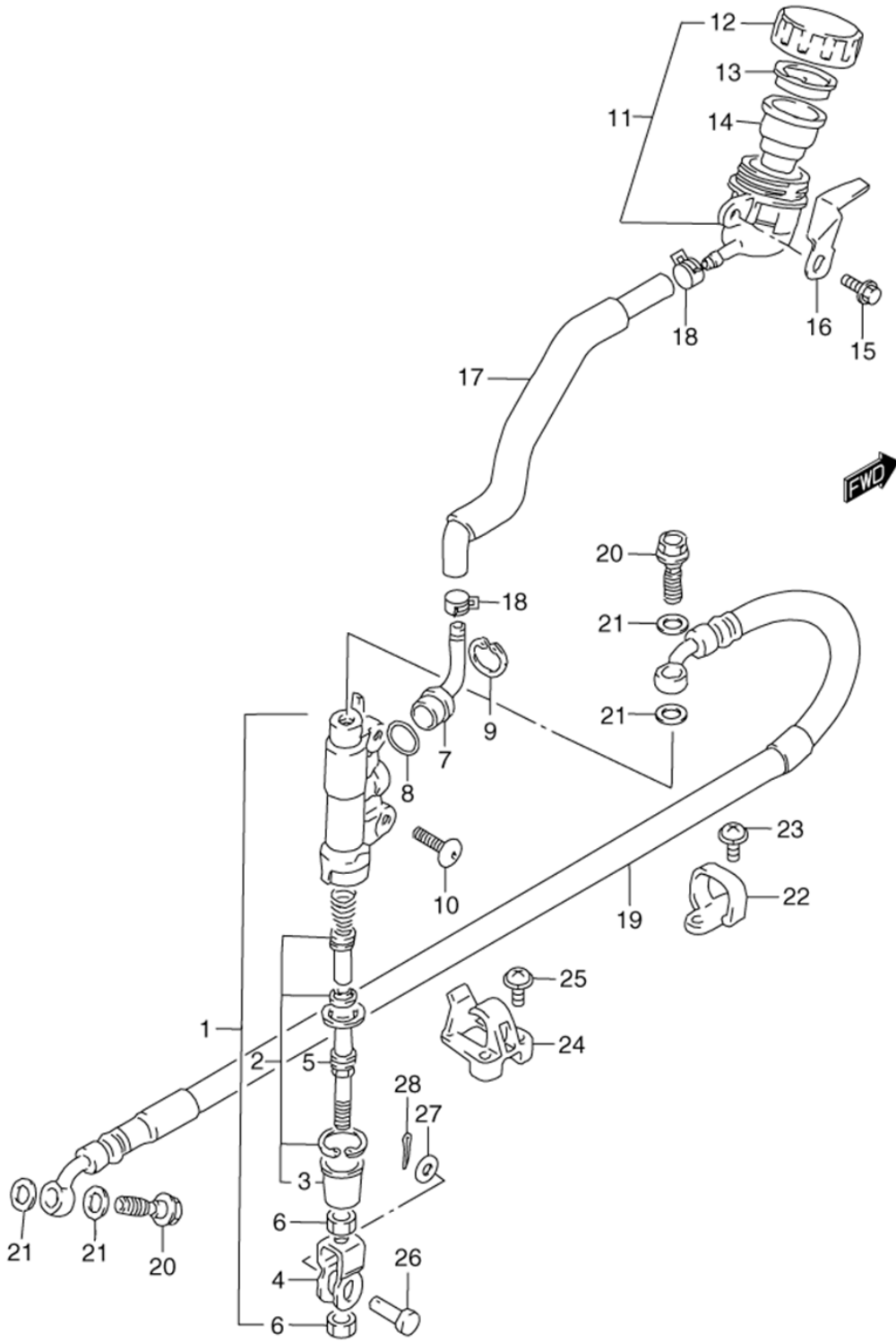


Table 52. REAR MASTER CYLINDER

Reference Number	Quantity Required	Part Number	Description
1	1	69600-14D01	CYLINDER ASSY, REAR MASTER
2	1	69600-04820	.PISTON / CAP SET
3	1	69691-00A00	..BOOT
4	1	69692-00B21	.YOKE
5	1	69670-48B00	.ROD, PUSH
6	2	69693-05A00	.NUT
7	1	59672-17C00	.CONNECTOR
8	1	69686-34200	.O RING
9	1	69674-00B20	.CIRCLIP
10-1	2	09139-06067	SCREW (6X16)
10-2	2	09139-06067	SCREW (6X16)
11	1	69740-03D00	TANK ASSY, RESERVOIR
12	1	69669-03D00	.CAP
13	1	69668-00B20	.PLATE
14	1	69667-00B20	.DIAPHRAGM
15-1	1	01550-0616A	BOLT
15-2	1	01550-0616A	BOLT
16	1	69743-14D10	GUARD, TANK CAP
17	1	69730-14D00	HOSE, RESERVOIR TANK
18-1	2	09401-12404	CLIP
18-2	2	09401-12404	CLIP
19	1	69480-14D00	HOSE, REAR BRAKE
20-1	2	09360-10017	BOLT (10X1.00X24)
20-2	1	09360-10061	UNION (MODEL R/S/TREAR MASTER CYLINDER)
20-3	1	09360-10040	BOLT, CYLINDER HEAD HOSE UNIO (MODEL R/S/TREAR CALIPER)
21	4	09161-10009	WASHER (10X15X1.5)
22	1	61196-00B21	CLAMP, REAR BRAKE HOSE
23-1	2	09125-05042	.SCREW (5X10)
23-2	2	02142-0510B	SCREW
24	1	61196-03D00	GUIDE, HOSE REAR
25-1	2	02112-35167	SCREW, SHIFT POSITION SENSOR
25-2	2	02112-3516A	SCREW
26	1	09200-08048	PIN
27	1	09160-08074	WASHER
28	1	04111-25158	COTTER PIN

FIG.53

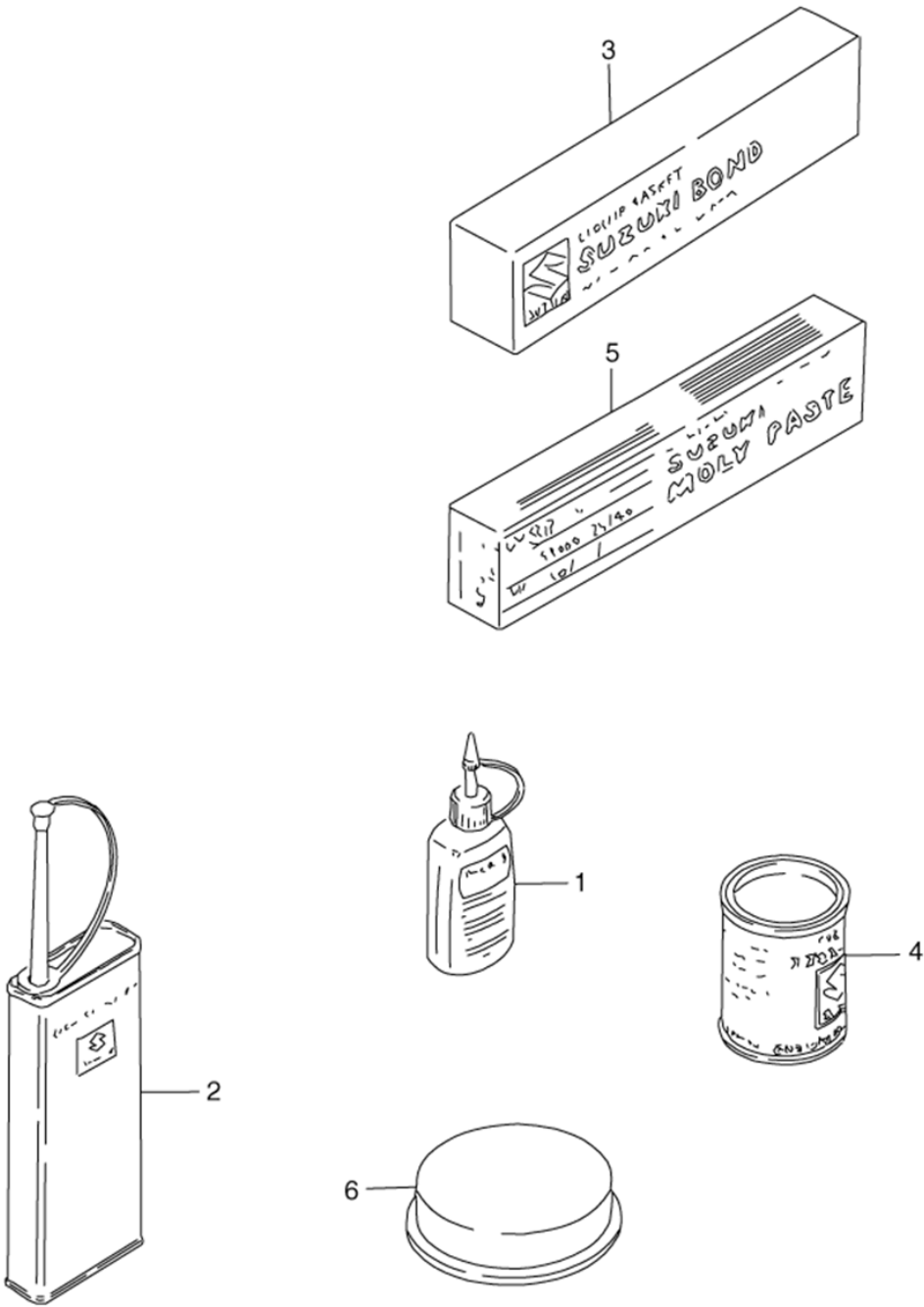


Table 53. OPTIONAL

Reference Number	Quantity Required	Part Number	Description
1-1	1	99000-32020	THREAD LOCK NO.1333B
1-2	1	99000-32030	THREAD LOCK SUPER (1303B)
1-3	1	99000-32050	THREAD LOCK NO.1342
1-4	1	99000-32100	THREAD LOCK SUPER (1305)
1-5	1	99000-32130	THREAD LOCK SUPER (1360)
2	1	99000-32040	THREAD LOCK NO.1401
3	1	99104-31140	LIQUID GASKET 1
4	1	99000-25030	SUZUKI SUPER GREASE
5	1	99000-25140	SUZUKI MOLY PASTE
6	1	99000-25110	SUZUKI PBC GREASE