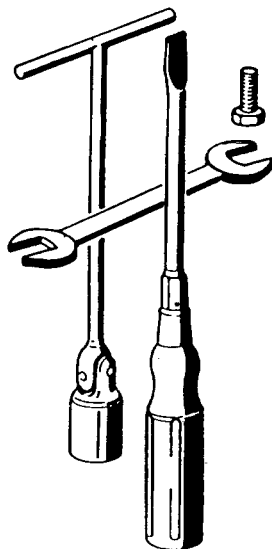




1000 SP
III

WORKSHOP MANUAL



COD. 30 92 01 11

Additions to the Workshop manual for the models V1000 G5 e 1000 SP - Cod. 17 92 01 61



The illustrations and descriptions in this booklet are indicative only and the manufacturer reserves itself the right to introduce any modification it may deem necessary for better performance or for constructive or commercial reasons at any time and without prior notice.

**GBM S.p.A. MOTO GUZZI - SERVIZIO PUBBLICAZIONI TECNICHE
Cod. 30 92 01 11**

Printed in Italy - D.E.Ca. - Ravenna

INDEX

2	MAIN SPECIFICATIONS	pag. 286
5	CHECKING DEVICES AND CONTROLS	pag. 288
	1 Dashboard	
	2 Ignition and antitheft switch	
	4 Light switches	
	5 Horn push-button, flash traffic beam, flashlights control	
	6 Start push-button and engine stop switch	
	7 «CHOKE» control lever	
	8 Throttle grip	
	9 Clutch lever	
	10 Right front brake lever	
7	MAINTENANCE AND LUBRICATION OPERATIONS	pag. 290
12	ENGINE OVERHAULING AND CHECKING	pag. 291
	6 Valves and valve-guides	
	12 Cylinders	
	13 Pistons	
	18 Crankshaft balance checking	
13	TIMING	pag. 294
15	FUEL FEEDING	pag. 295
	1 Carburetors	
16	CLUTCH	pag. 296
21	FRONT SUSPENSION	pag. 297
22	SWINGING FORK	pag. 299
23	WHEELS	pag. 300
	5 Tires	
	11 R.H. front brake system and R.H. front brake control pump	
	12 Rear and L.H. front braking system	
24	ELECTRIC SYSTEM	pag. 302
	2 Alternator-generator (SAPRISA)	
	5 Starting motor (VALEO)	
	13 Electronic ignition	
25	ELECTRIC SYSTEM SCHEME	pag. 306
	1 Electric system scheme legend	

2**MAIN SPECIFICATIONS****ENGINE**

- cylinder configuration	4-stroke, twin cylinders
- bore	90° «V» twin
- stroke	88 mm
- total capacity	78 mm
- compression ratio	948.8 cc
- max. torque	9,5:1
- max output	7,9 kgm at 5800 r.p.m. 71 CV (KW 52) at 6800 rpm

VALVE TIMING

O.H.V. with rods and rocker arms

FUEL FEEDING

no. 2 Dell'Orto carbs. PHF 36 DD (R.H.)
PHF 36 DS (L.H.) type.

LUBRICATION

forced lubrication system with gear pump - wirenet and cartridge filters installed in the sump of the crankcase - standard lubricating pressure 3.8÷4.2 kg/cm² (controlled by a special valve installed on the sump) electric transmitter for insufficient pressure indication on the crankcase

ALTERNATOR/GENERATOR

installed on the front side of crankshaft (14V-20A)

IGNITION

Electronic, with magnetic sensor and variable advance.
ignition data

■ First advance (fixed) 2° to 3°

■ Full advance (fixed + electronic) 34° to 35°

sensor and rotor gap 0,2 to 0,4 mm.

ignition spark plugs: MARELLI CW 7 LP; BOSCH W 7 D;
BOSCH W 7 DC; CHAMPION N 9 YC; LODGE L6Y.

spark plugs electrodes gap 0,6 mm.

ignition coils: no. 2 installed on the frame

STARTING

electric by start motor equipped with electromagnetic control coupling.

crown gear fixed to the engine flywheel START push button placed right side on the handlebar

TRANSMISSIONS**CLUTCH**

dry type with two driven discs

positioned on the engine flywheel

controlled by lever on the left side of handlebar

PRIMARY TRANSMISSION

by gears, ration 1:1235 (Z=17/21)

GEARBOX

five speed constant-mesh gearbox, front coupling.

Built-in flexible coupling;

control by pedal placed on the L.H. side of vehicle

gearbox ratios:

1st 1:2 (Z=14/28)

2nd 1:1.388 (Z=18/25)

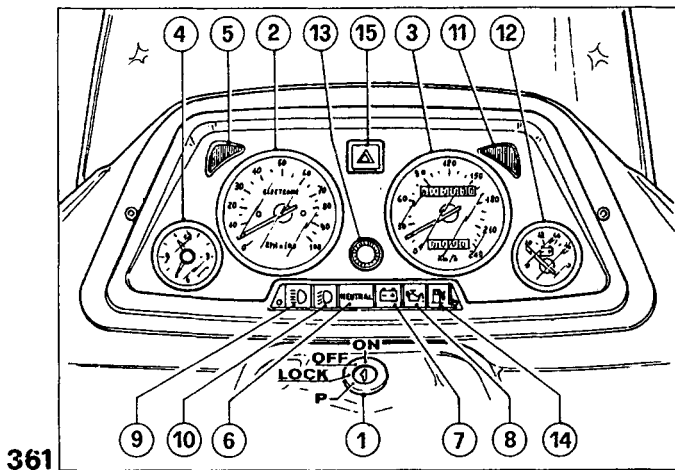
3rd 1:1.047 (Z=21/22)

4th 1:0.869 (Z=23/20)

5th 1:0.750 (Z=28/21)

SECONDARY TRANSMISSION	<p>by shaft with cardanic joint and gears. ratio 1 : 4.714 (Z=7/33) final drive ratio (engine-to-wheel) 1st speed 1 : 11.643 2nd speed 1 : 8.080 3rd speed 1 : 6.095 4th speed 1 : 5.059 5th speed 1 : 4.366</p>												
FRAME	decomposable double cradle with tubular structure												
SUSPENSIONS	<p>front: telescopic fork "MOTO GUZZI", with separated spring preload and shock-absorber damping adjustment rear swinging fork with adjustable springs concentric to the hydraulic adjustable shock-absorbers.</p>												
WHEELS	<p>in light alloy with rims ■ front 18 MT 2.50 H2 ■ rear 18 MT 3.00 H2</p>												
TYRES	<p>front 110/90 V18 rear 120/90 V18 Type: Tubeless</p>												
BRAKE	<p>front: floating disc with fixed caliper and twin braking cylinder - manually controlled by handlever placed R.H. on the handlebar - hydraulic transmission independent from the rear brake: Ø disc 300 mm; Ø braking cylinder 38 mm Ø pump 13 mm rear: floating disc with fixed caliper and twin braking cylinder - pedal control placed on the R.H. centre of the vehicle: Ø disc 270 mm Ø braking cylinder 38 mm Ø pump 15.875 mm the rear brake is connected by hydraulic transmission to the L.H. front brake having in its components the same dimensions as the R.H. front brake, hand controlled.</p>												
DIMENSIONS AND WEIGHTS	<table border="0"> <tr> <td>pitch (laden)</td> <td>1.495 m.</td> </tr> <tr> <td>max. length</td> <td>2.200 m.</td> </tr> <tr> <td>max. width</td> <td>0.900 m.</td> </tr> <tr> <td>max. height (windscreen)</td> <td>1.400 m.</td> </tr> <tr> <td>dry weight</td> <td>240 kg.</td> </tr> </table>	pitch (laden)	1.495 m.	max. length	2.200 m.	max. width	0.900 m.	max. height (windscreen)	1.400 m.	dry weight	240 kg.		
pitch (laden)	1.495 m.												
max. length	2.200 m.												
max. width	0.900 m.												
max. height (windscreen)	1.400 m.												
dry weight	240 kg.												
PERFORMANCES	<p>max. speed 195 Km/h. with driver only. fuel consumption: 5,6 l. /100 Km (CUNA STANDARD).</p>												
REFUELINGS	<table border="0"> <tr> <td>- fuel tank (ca. 3 l. reserve)</td> <td>22,5 l. Super Petrol (97 NO-RM/min.)</td> </tr> <tr> <td>- engine sump</td> <td>3 l. of "Agip NUOVO SINT 2000 SAE 10 W/40" oil</td> </tr> <tr> <td>- gearbox</td> <td>0,750 of "AGIP Rotra MP SAE 80 W/90" oil</td> </tr> <tr> <td>- transmission (bevel gear lubrication)</td> <td>0,250 l. of which: 0,230 l. of "Agip Rotra MP SAE 80 W/90" and 0,020 l. of "Agip Rocol ASO/R" oil or "Molikote A type oil"</td> </tr> <tr> <td>- telescopic fork (each prong)</td> <td>0,070 l. of "Agip ATF Dexron" fluid</td> </tr> <tr> <td>- front and rear brakes</td> <td>"Agip BRAKE FLUID - SUPER HD" fluid</td> </tr> </table>	- fuel tank (ca. 3 l. reserve)	22,5 l. Super Petrol (97 NO-RM/min.)	- engine sump	3 l. of "Agip NUOVO SINT 2000 SAE 10 W/40" oil	- gearbox	0,750 of "AGIP Rotra MP SAE 80 W/90" oil	- transmission (bevel gear lubrication)	0,250 l. of which: 0,230 l. of "Agip Rotra MP SAE 80 W/90" and 0,020 l. of "Agip Rocol ASO/R" oil or "Molikote A type oil"	- telescopic fork (each prong)	0,070 l. of "Agip ATF Dexron" fluid	- front and rear brakes	"Agip BRAKE FLUID - SUPER HD" fluid
- fuel tank (ca. 3 l. reserve)	22,5 l. Super Petrol (97 NO-RM/min.)												
- engine sump	3 l. of "Agip NUOVO SINT 2000 SAE 10 W/40" oil												
- gearbox	0,750 of "AGIP Rotra MP SAE 80 W/90" oil												
- transmission (bevel gear lubrication)	0,250 l. of which: 0,230 l. of "Agip Rotra MP SAE 80 W/90" and 0,020 l. of "Agip Rocol ASO/R" oil or "Molikote A type oil"												
- telescopic fork (each prong)	0,070 l. of "Agip ATF Dexron" fluid												
- front and rear brakes	"Agip BRAKE FLUID - SUPER HD" fluid												

5 CHECKING DEVICES AND CONTROLS



5.1. DASHBOARD (fig. 361)

- 1 Users insertion and antitheft key switch.
- 2 Revolution indicator.
- 3 Speedometer.
- 4 Clock.
- 5 Warning light (green light) for L.H. blinkers.
- 6 Warning light ("Neutral" green light) neutral position of gearbox. It is on only when the gearbox is in this position.
- 7 Warning light (red light) generator current delivery. It must go off when the engine has reached a certain r.p.m. range.
- 8 Warning light (red light) oil pressure. To be off when the pressure is sufficient to insure engine lubrication. If the warning light does not extinguish, the pressure is not the prescribed one; in this case it is necessary to stop the engine at once and investigate for the reason.
- 9 Warning light (blue light) high beam on.
- 10 Warning light (green light) parking lights on.
- 11 Warning light (green light) for R.H. blinkers.
- 12 Voltmeter.
- 13 Partial odometer zero reset.
- 14 Warning light (red light) fuel on reserve.
- 15 Emergency flashers switch.

5.2 IGNITION AND ANTITHEFT SWITCH (Fig. 361)

Switch "1" is controlled by the equipped key and can be regulated in 4 positions.

"OFF" position, stand vehicle. Extractable key (no contact).

"ON" position, vehicle ready for starting. All users are on. Key not extractable.

"LOCK" position, locked steering. Engine off, no contact, extractable key.

"P" position, locked steering. Engine off; through the switch "A" of fig. 362 in "P" position, parking lights. Extractable key.

To set the steering gear on:

■ Turn the handlebar completely on the left or on the right.

■ Press the key downwards and turn it counter clockwise till the position "LOCK" or "P".

ATTENTION: do not turn the key in "LOCK" or "P" position during running.

5.4 LIGHT SWITCHES (Fig. 362)

Placed L.H. on the handlebar.

"A" switch

■ "O" position lights off.

■ "P" position parking light.

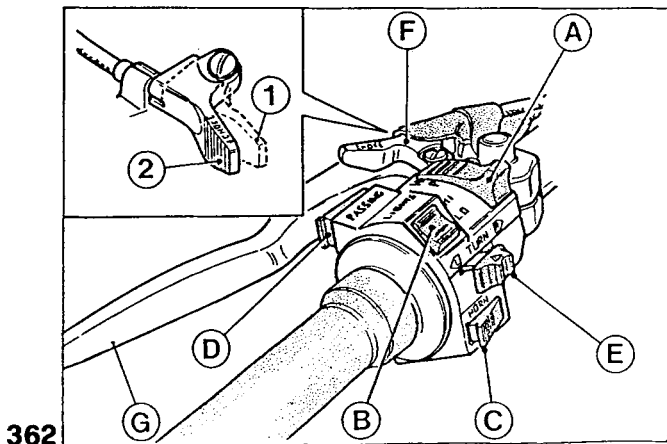
■ "H" position bilux lamp on.

"B" switch (lights)

With the switch "A" in position "H".

■ "LO" low beam.

■ "HI" high beam.



5.5 HORN PUSH-BUTTON, FLASH TRAFFIC BEAM, FLASHLIGHTS CONTROL SWITCH (Fig. 362)

Placed L.H. on the handlebar:

Push-button "C" (horn) horn control.

Push-button "D" (passing) flash traffic beam control.

Push-button "E" (turn):

- "R" position, right direction indicators.
- "L" position, left direction indicators.
- Press the switch to disconnect the flashlights.

5.6 START PUSH-BUTTON AND ENGINE STOP SWITCH (Fig. 363)

Installed on the R.H. side of handlebar.

With key switch "1" of fig. 361 ("ON" position), the vehicle is ready to start. To start engine act as follows:

- make sure that "B" switch is in position (run);
- strongly pull the clutch lever;
- if the engine is cold, bring the "F" "CHOKE" lever on starting position "1" (see fig. 362);
- press on "C" start push-button.

To stop engine in an emergency case:

- "B" switch has to be turned on position (off).
Once engine is stopped, turn the key in the switch of fig. 361 in counter clockwise direction until the "OFF" position and extract the key from the switch.

N.B. Always remember to replace the "B" switch on position (RUN) before starting.

5.7 "CHOKE" CONTROL LEVER ("F" of Fig. 362)

The lever for cold engine starting gear (CHOKE) is placed on the L.H. of handlebar:

- "1" Starting position.
- "2" Running position.

5.8 THROTTLE GRIP ("D" of Fig. 363)

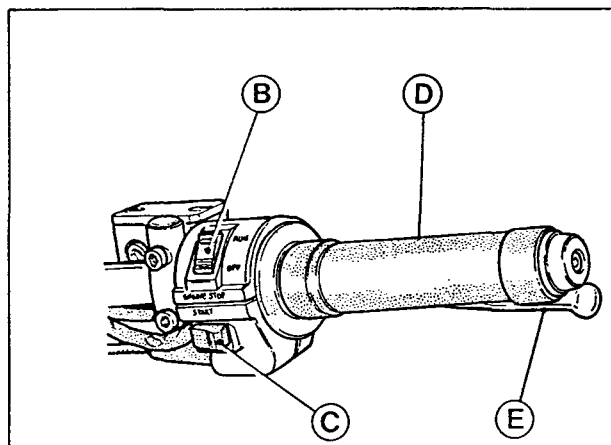
The throttle grip is placed on the R.H. side of handlebar; turning it towards the rider opens the throttle; turning it away from the rider closes it.

5.9 CLUTCH LEVER ("G" of Fig. 362)

Placed on the L.H. side of handlebar; it is only to be used when starting or changing gear.

5.10 RIGHT FRONT BRAKE LEVER ("E" of Fig. 363)

Placed on the R.H. side of handlebar; it controls the pump of the hydraulic front right brake.



363

7 MAINTENANCE AND LUBRICATION OPERATIONS

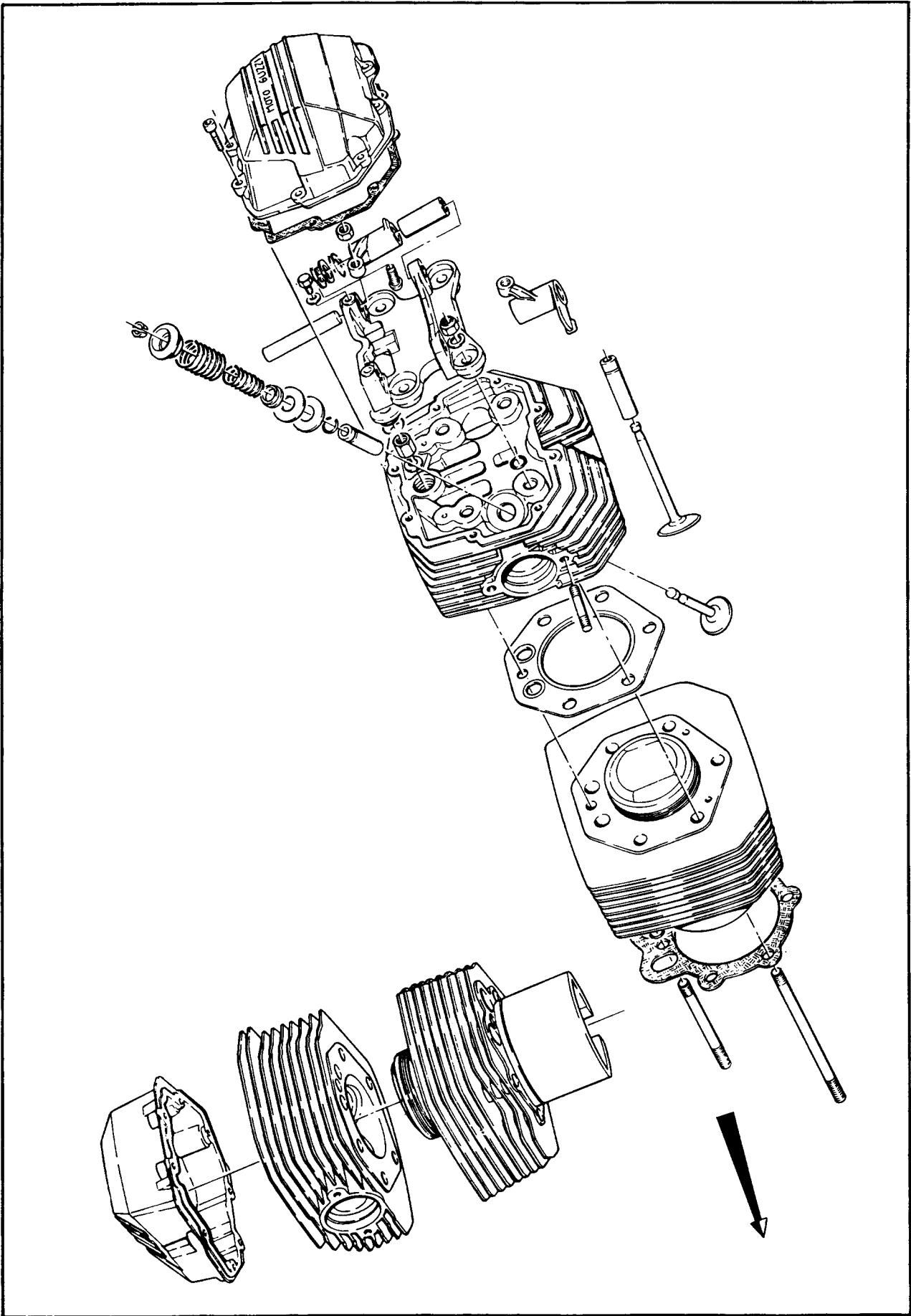
ITEMS ↕	COVERED MILEAGE ↕	1500 Km	5000 Km	10000 Km	15000 Km	20000 Km	25000 Km	30000 Km	35000 Km	40000 Km	45000 Km	50000 Km
Engine oil		R	R	R	R	R	R	R	R	R	R	R
Oil filter cartridge		R			R			R			R	
Wire gauze oil filter		C			C			C			C	
Air filter			C	R	C	R	C	R	C	R	C	R
Ignition timing		A			A			A			A	
Spark plugs		A	A	R	A	R	A	R	A	R	A	R
Rocker clearance		A	A	A	A	A	A	A	A	A	A	A
Carburation		A	A	A	A	A	A	A	A	A	A	A
Nuts and bolts		A			A			A			A	
Fuel tank, filters and pipes				A		A		A		A		A
Gear box oil		A	A	R	A	R	A	R	A	R	A	R
Rear drive box oil		A	A	R	A	R	A	R	A	R	A	R
Wheel and steering bearings						A				A		
Fork legs oil						R				R		
Starter motor and generator						A				A		
Brake system fluid		A	A	A	R	A	A	R	A	A	R	A
Brake pads		A	A	A	A	A	A	A	A	A	A	A
↕ Times (minutes divided into 60 sec.)		Free	245	305	340	370	245	400	245	400	340	305

A=Maintenance-Check-Adjustment-Eventual replacement/C=Cleaning/R=Replacement

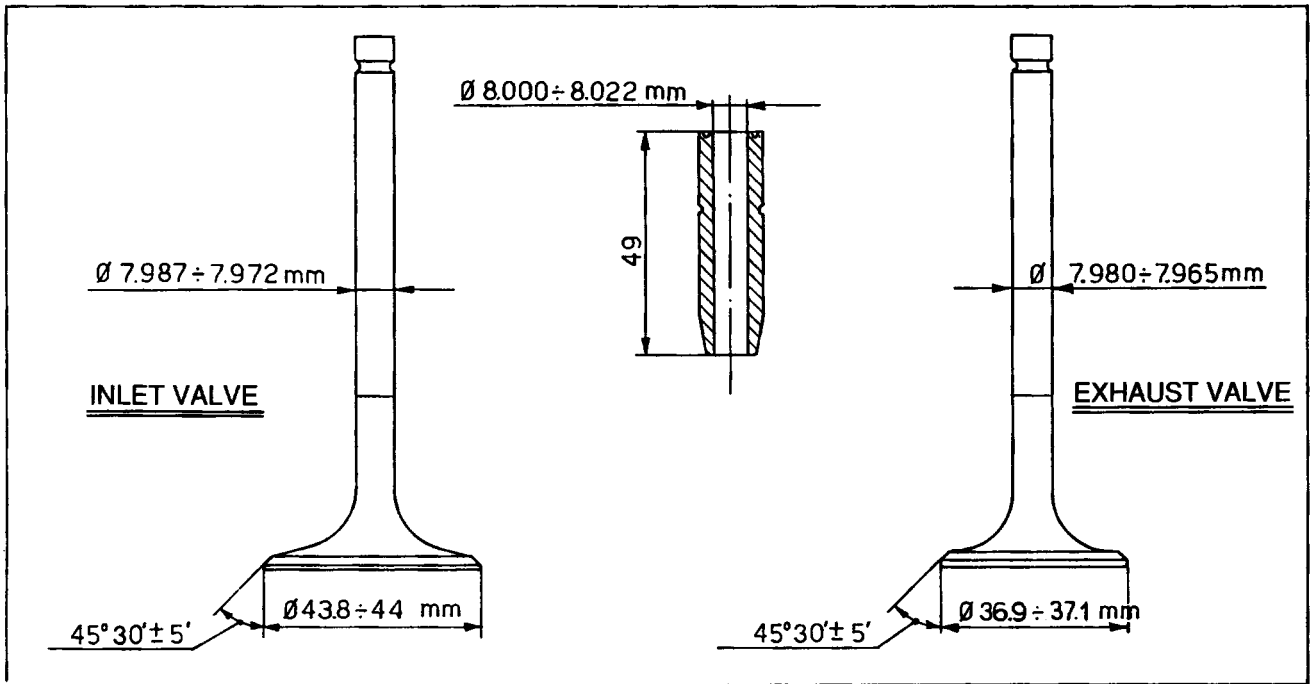
Time by time inspect battery electrolyte level and lubricate the control joints and hoses, every 500 Km. check the engine oil level.

In all cases renew oil at least once per year.

12 ENGINE OVERHAULING AND CHECKING



12.6 VALVES AND VALVE-GUIDES (fig. 365)



365

12.12. CYLINDERS
Cylinders range (mm)

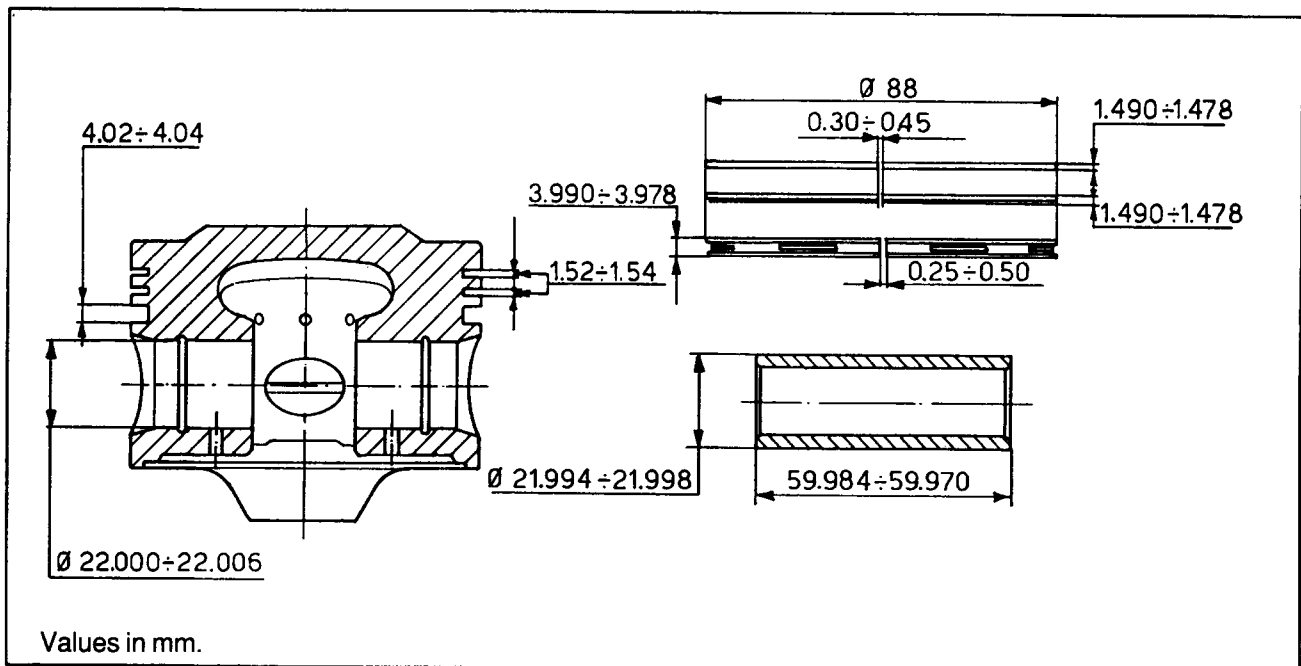
A SIZE	B SIZE	C SIZE
88.000÷88.006	88.006÷88.012	88.012÷88.018

12.13. PISTONS
Pistons range (mm)

A SIZE	B SIZE	C SIZE
87.968÷87.974	87.974÷87.980	87.980÷87.986

Pistons of an engine have to be balanced; only a difference of 1.5 gr. in weight is admissible.

When installing a piston, pay attention to the "SCA" (exhaust) wording to be directed towards the exhaust hole in the cylinder.



366

12.18. CRANKSHAFT BALANCE CHECKING

To statically balance the crankshaft it is necessary to apply to the crankpin a load of $1.649 \div 1.651$ kg.

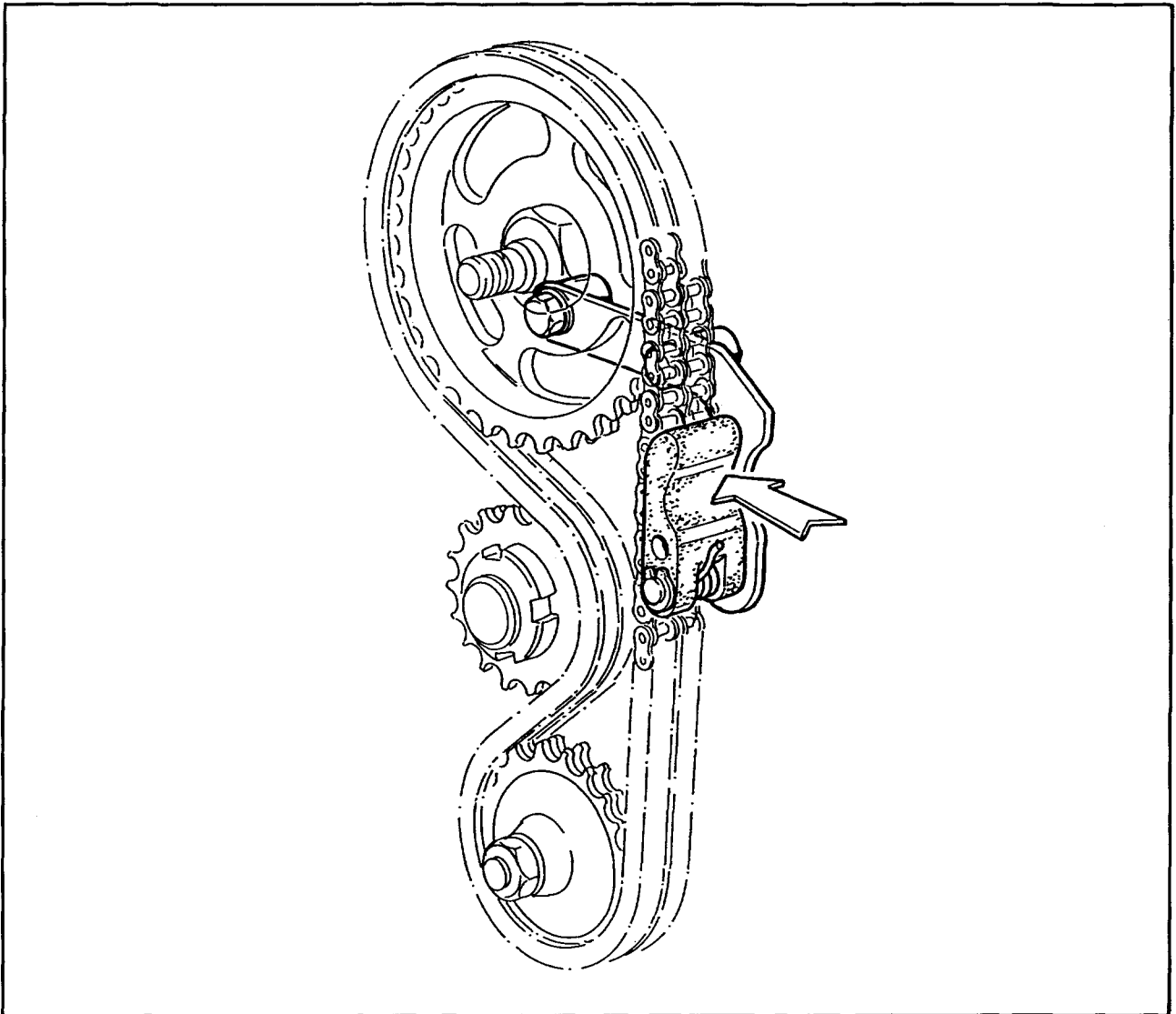
13 TIMING

The assembly of a new chain adjustment gear for automatic timing has been foreseen.

The new detail is interchangeable with the previous one and replaces it in every respect.

As above is valid also for the models of the V 850 - V 1000 series; in production from following engine numbers:

CALIFORNIA III	: VT 032698
1000 GT	: VT 024724
LE MANS 1000	: VV 016418
850 T5 POLIZIA/ CARABINIERI	: VR 016448



367

15 FUEL FEEDING

15.1. CARBURETORS

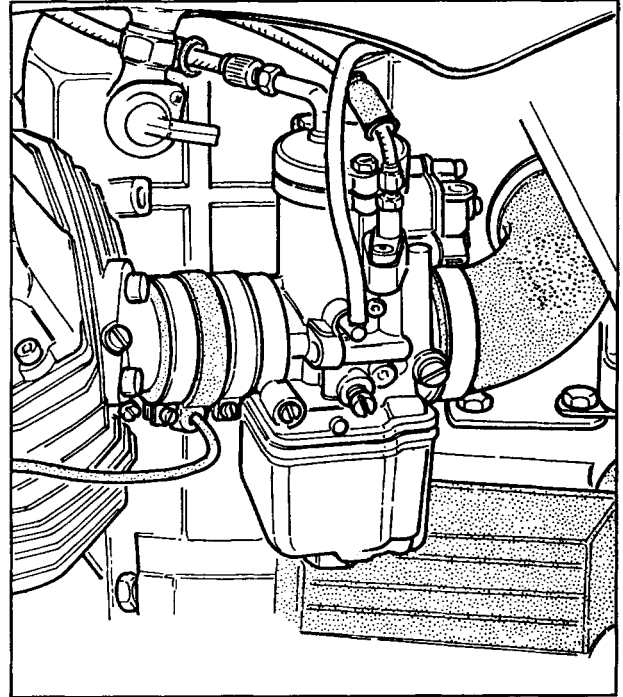
No. 2 Dell'Orto «PHF 36 DD» (R.H.) «PHF 36 DS» (L.H.).

Carburetors controls

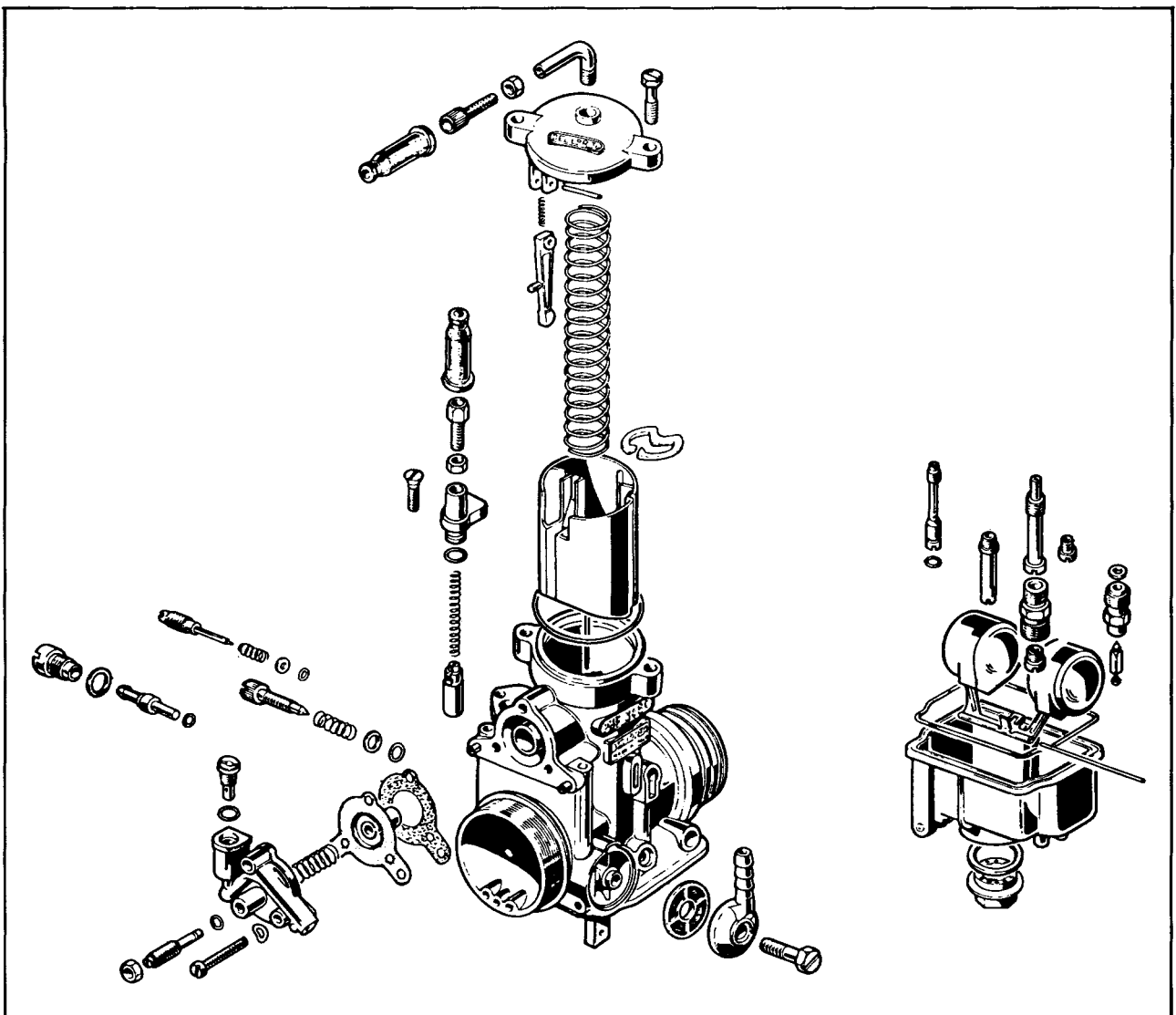
- Throttle handgrip R.H. on the handlebar;
 - "starter" control lever with **cold engine** «CHOKE» (F of Fig. 362) on the handgrip L.H. side.
- «CHOKE» control lever positions:
«1» Start with **cold engine**
«2» Run.

Setting data

Atomizer	Ø mm 36
Throttle valve	60/3
Spray nozzle	268 AR
Main jet	130
Idle jet	50
Starting jet	70
Cone-shaped needle	K 18 (3rd notch)
Float	Gr 10
Idle mixture setscrew	1 1/2 turn.



368



369

16 CLUTCH

DRIVEN DISCS AND CLUTCH INSIDE BODY

A new clutch inside body with corresponding clutch discs has been planned.

The new details are not individually interchangeable with the previous ones and can be identified thanks to the new profile of the matching teeth.

The new specific tools which have been foreseen for disassembling the a. m. details will be ordered with the following code numbers:

30 91 28 10 Tool for blocking the clutch inside body.

30 90 65 10 Tool for centering the clutch discs.

The modification has been introduced for all models of the series V 850 - V 1000 from following engine numbers:

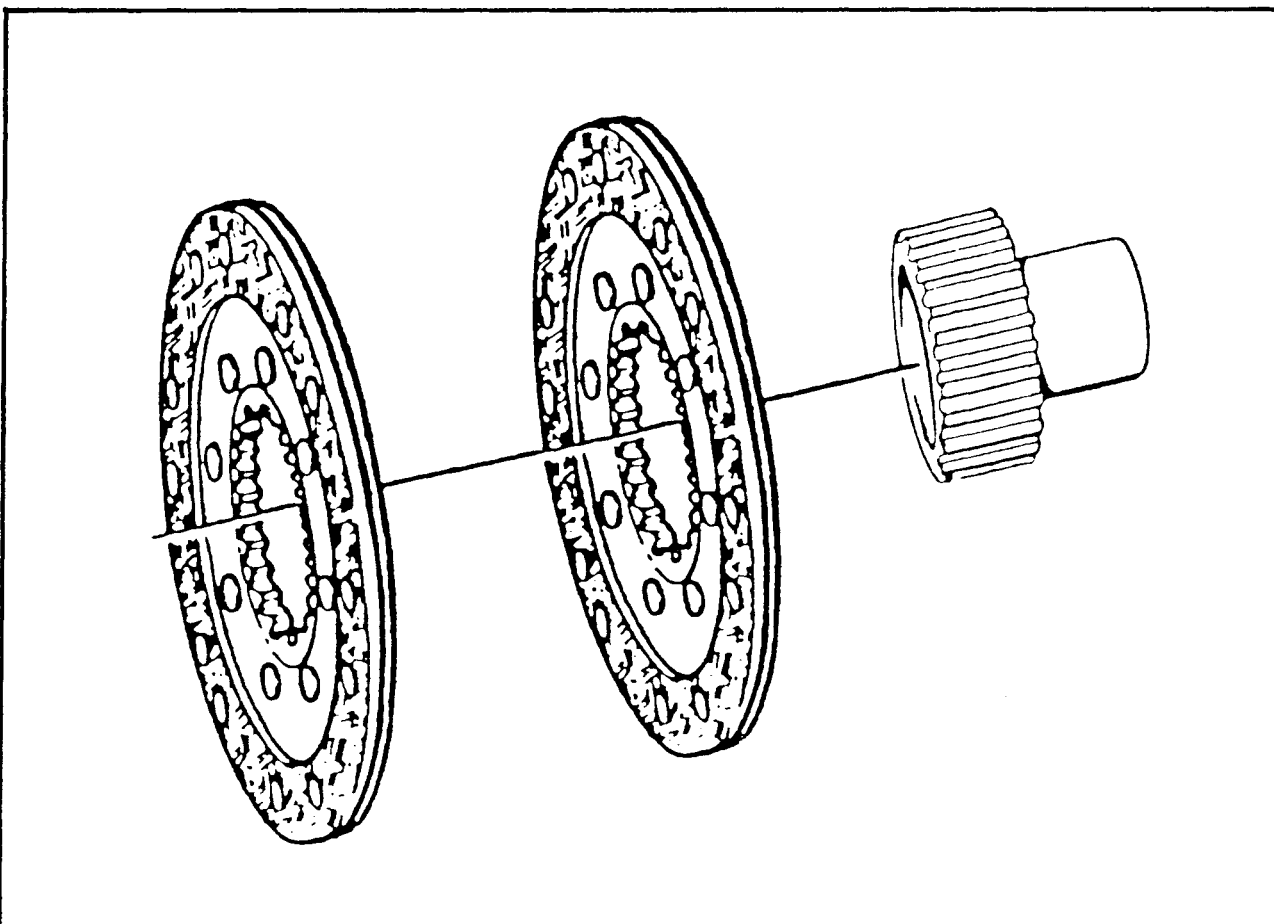
CALIFORNIA III : VT 032542

1000 GT : VT 024596

LE MANS 1000 : VV 016375

850 T5 POLIZIA/

CARABINIERI : VR 016448



370

21 FRONT SUSPENSION

ADJUSTABLE TELESCOPIC FORK SETTING

(Fig. 371)

The motorcycle is provided with a new MOTO GUZZI telescopic fork with separate adjustment of the spring preload and shock absorber damping. To adjust the springs preload, turn the nut A through a 32mm wrench. By turning clockwise, the spring preload reduces; by turning counterclockwise, the preload increases. To adjust the shock absorber hydraulic damping, turn the knob B. By turning clockwise the hydraulic damping decreases, on the contrary, by turning counterclockwise, the damping increases. Do not force the knob B and the nut A in the end-of-stroke positions.

N.B. - the springs preload and the shock absorbers damping must be uniformly adjusted on both fork rods (both preload adjustment nuts must be turned in the same way, by starting from the end-of-stroke positions, as well as the two hydraulic damping knobs).

To prevent from damaging the shock absorbers, in case of run on uneven roads, don't adjust them (knob B) in their maximum damping position.

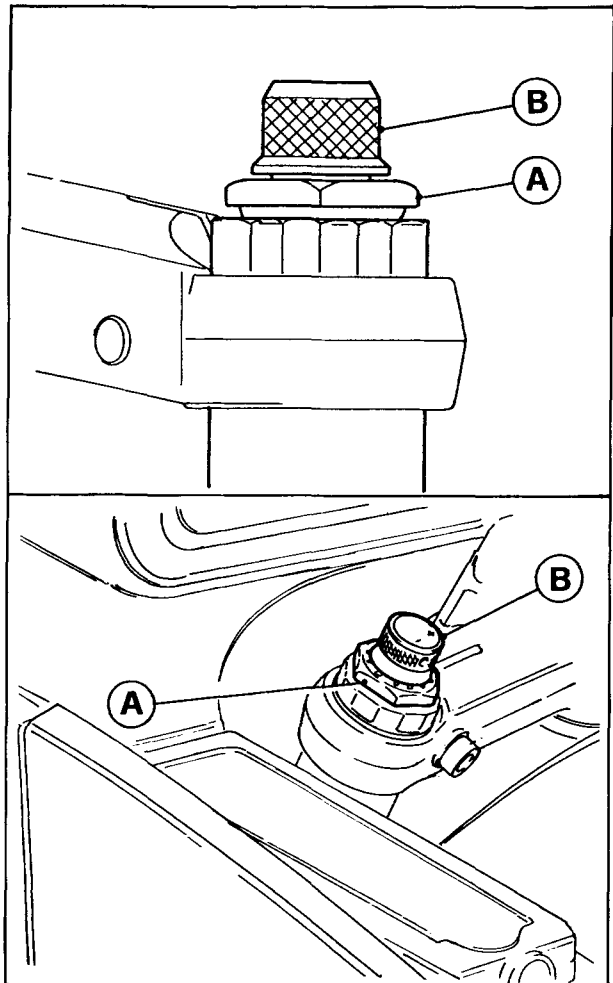
FORK LEGS LUBRICATION (Fig. 372)

For fluid renewal inside the fork legs, act as follows:

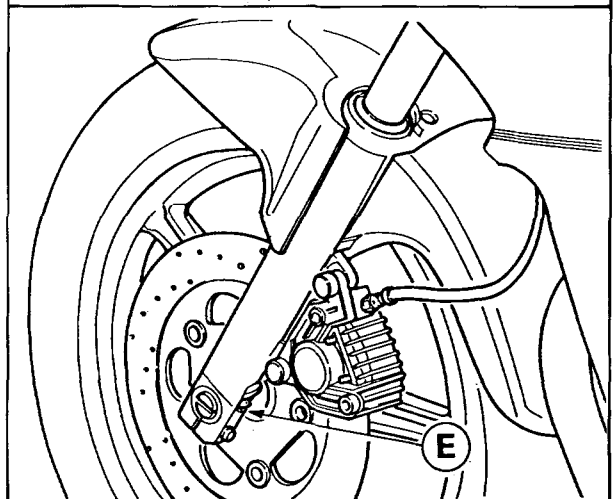
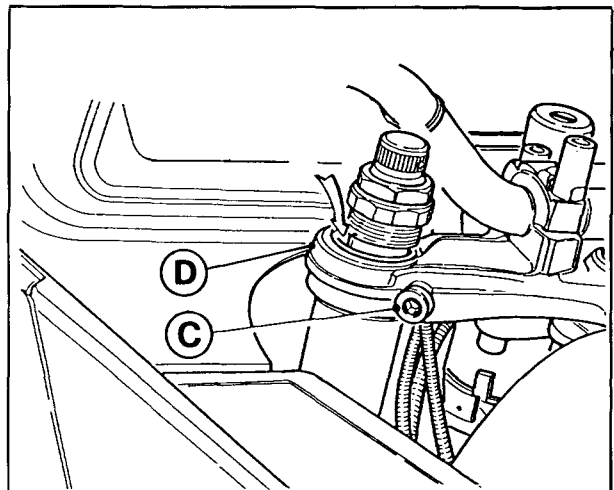
- with the vehicle on the central stand, disassemble the handgrip protection;
- loosen C side screw fastening the steering head to the fork leg;
- unscrew the D upper plug; then remove the E drain plug;
- by slightly pressing down the motorcycle front side, plug D, which is integral with to the shock absorber body, will come out;
- reassemble plug E and introduce the required fluid quantity (cc 70 «Agip ATF Dexron») through the space between fork leg inner diameter and shock absorber rod;
- reassemble plug D after having lifted the front side of the bike and lock the side screw again. Repeat the same operations for the other side too.

FRONT FORK (fig. 373)

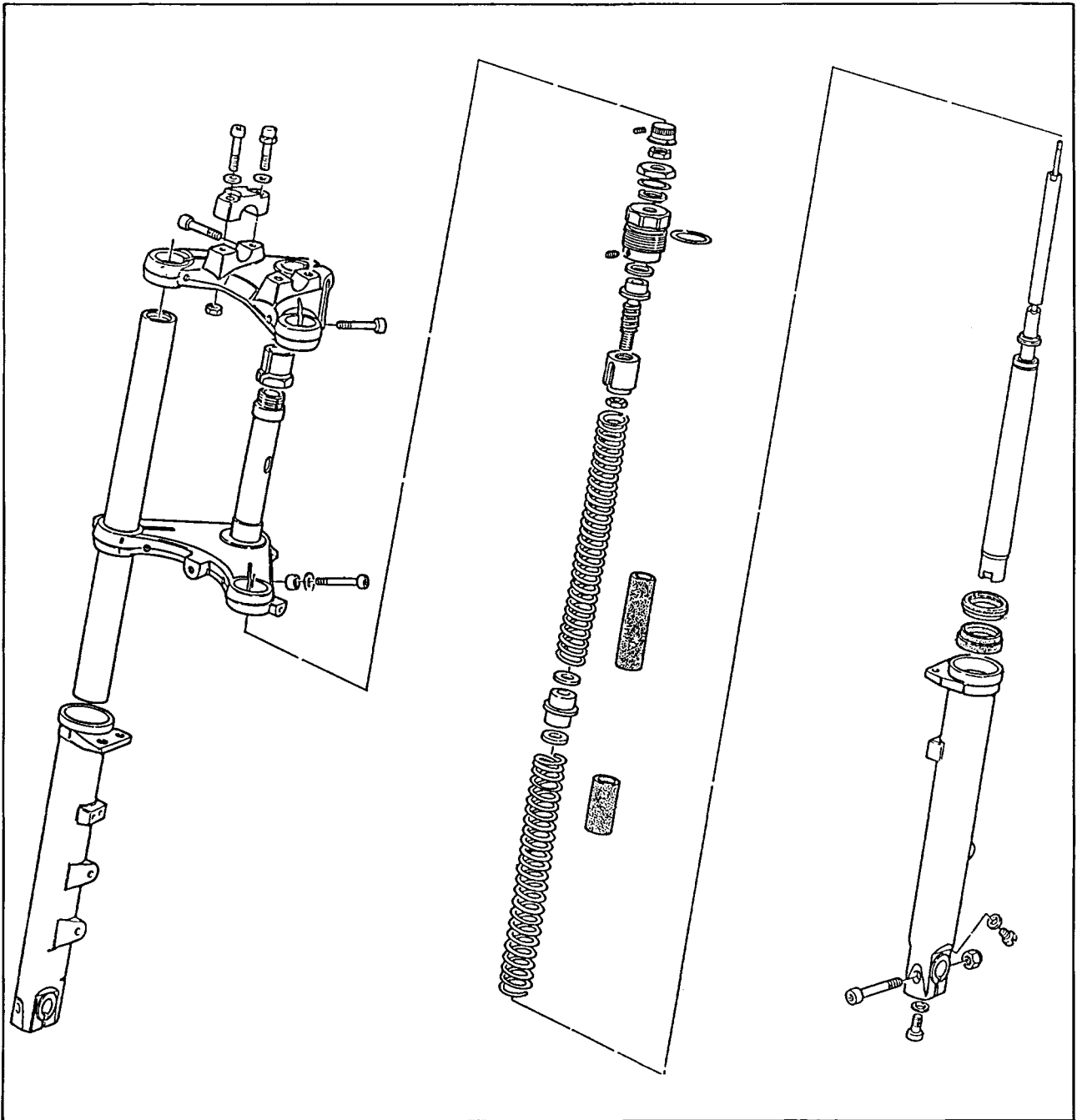
- Stroke 140 mm
- Sleeve inner diameter: 40.010÷40.050 mm
- Fork legs outer diameter: 39.975÷39.950 mm



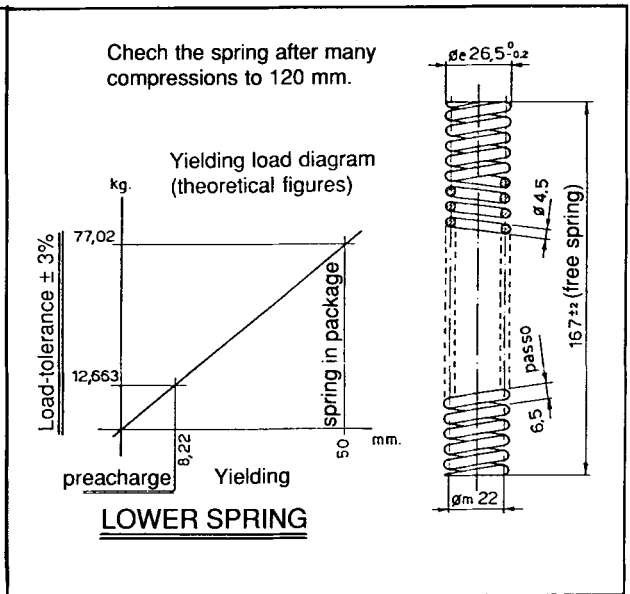
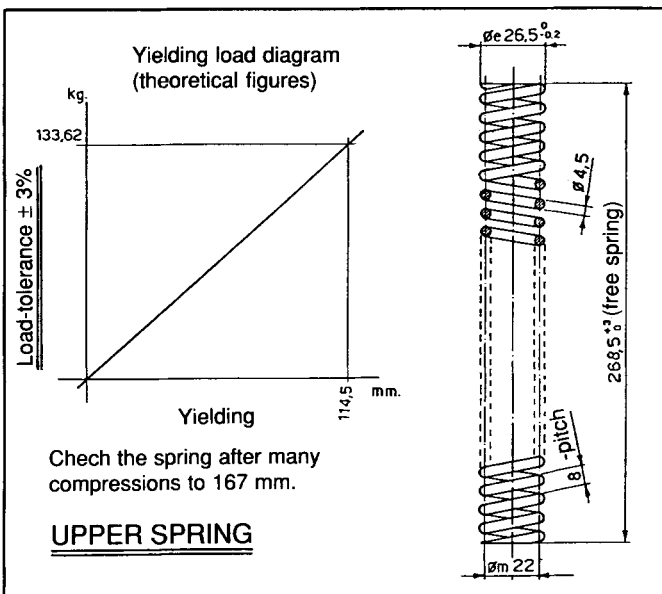
371



372

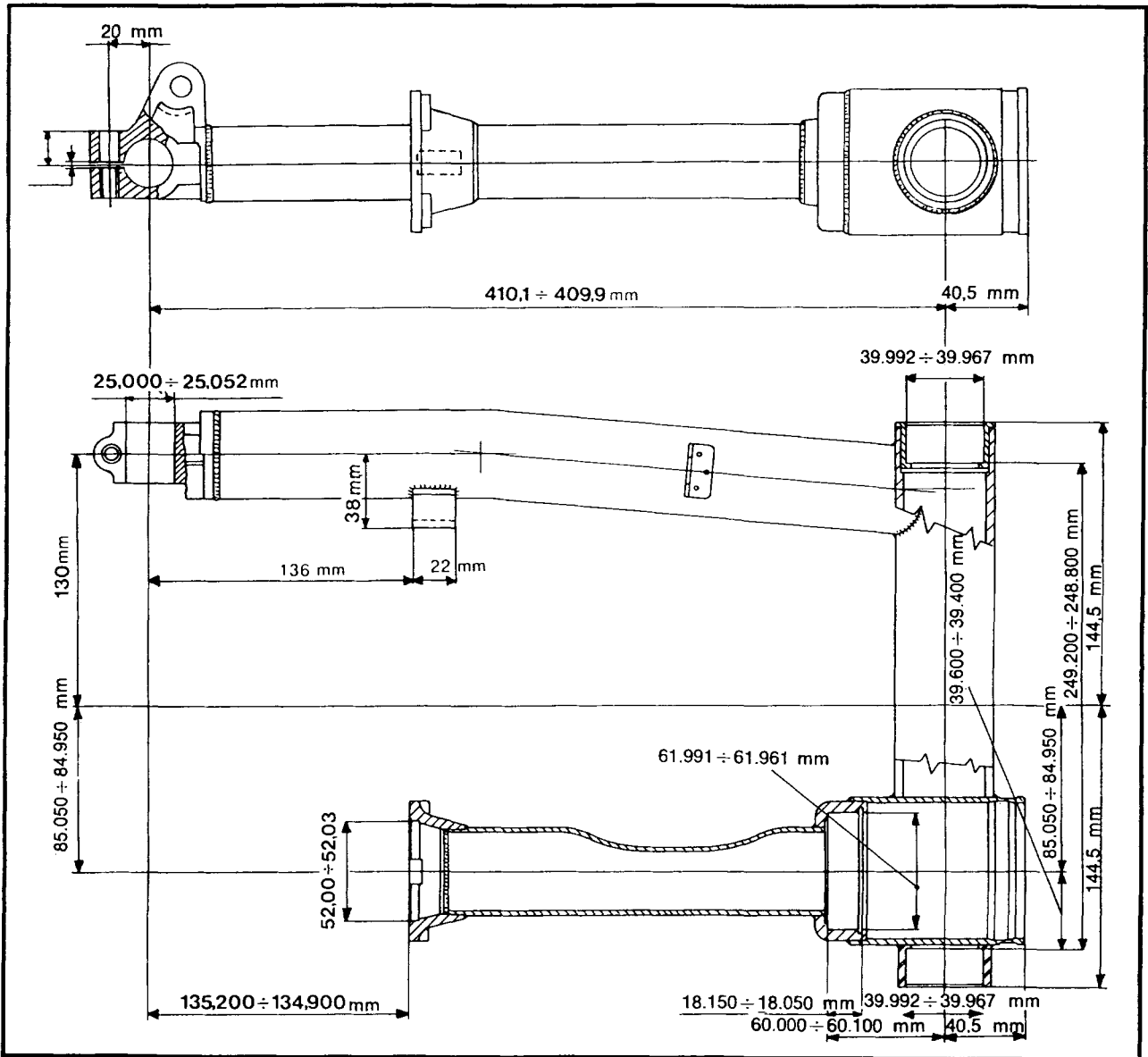


373



374

22 SWINGING FORK



375

23 WHEELS

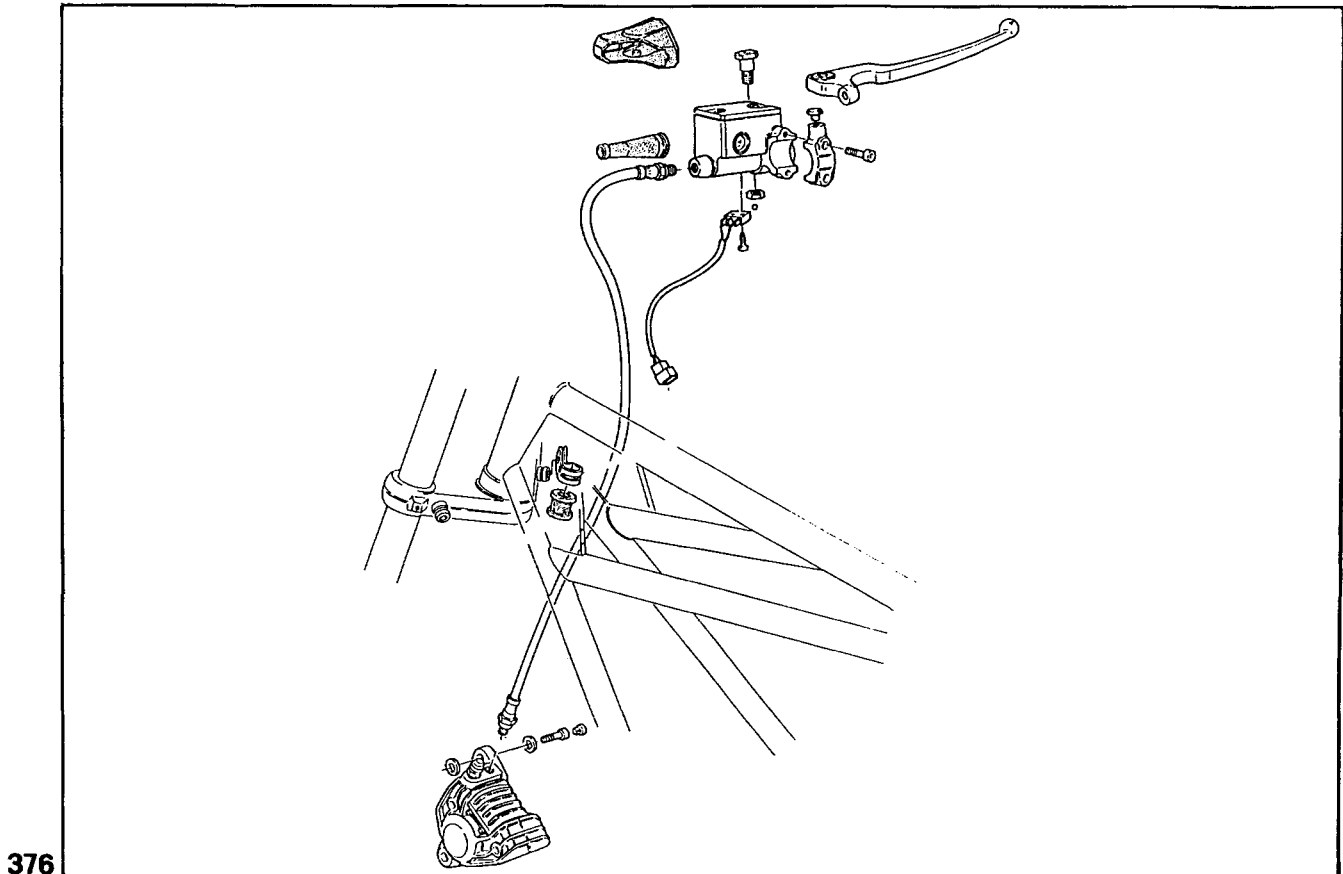
23.5 TYRES

Prescribed pressures are:

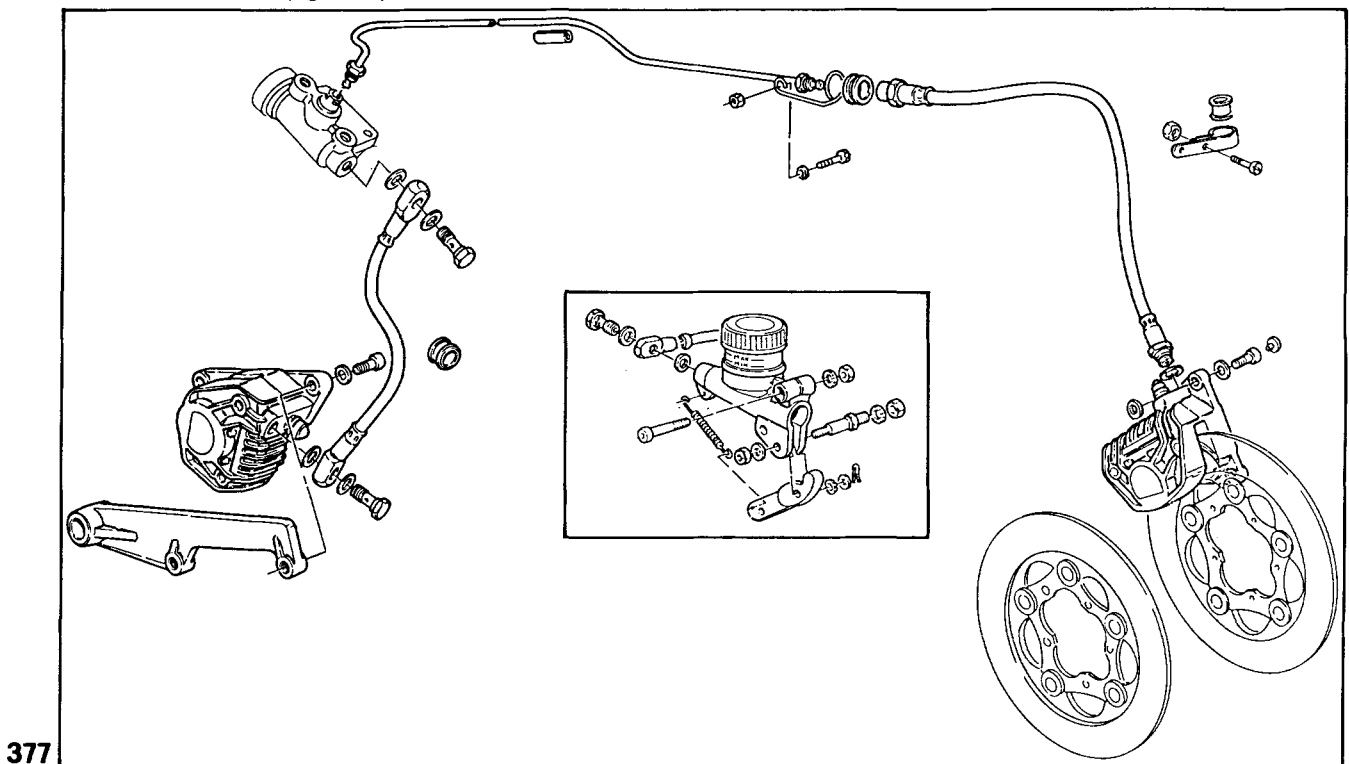
- front wheel: with one or two passengers 2.2 BAR
- rear wheel: with one passenger 2.4 BAR; with two passengers 2.6 BAR

Above stated figures are for touristic riding. For use at high continued speed, or highways use, an increase in pressure of 0.2 BAR to the above figures is recommended.

23.11. R.H. FRONT BRAKE SYSTEM AND R.H. FRONT BRAKE CONTROL PUMP (fig. 376)



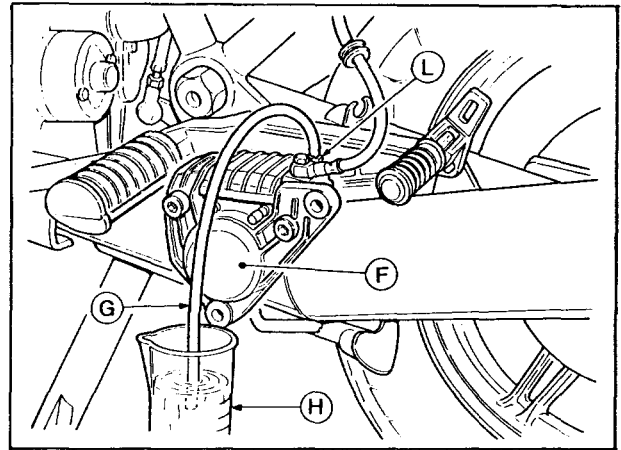
23.12. REAR AND L.H. FRONT BRAKING SYSTEM (fig. 377)



Air bubble bleeding from brake systems: rear and L.H. front braking circuit.

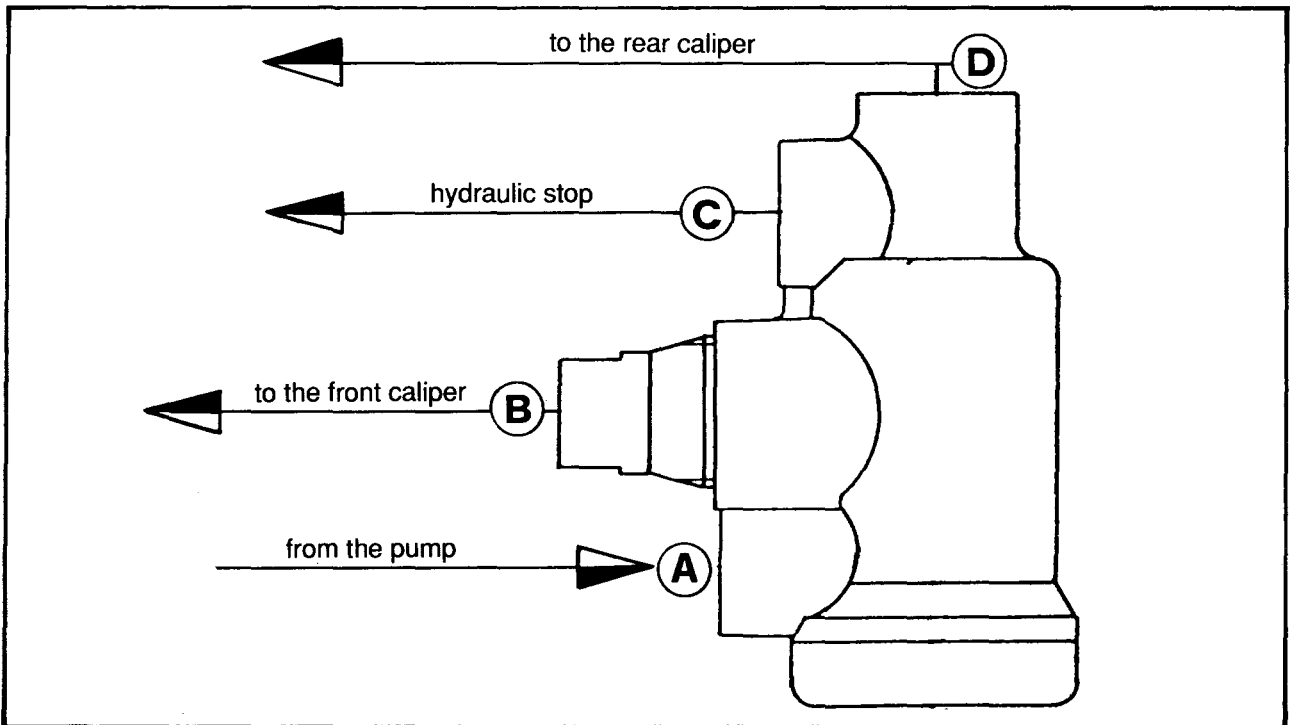
Instructions are as for 1000 SP and 1000 G5 models workshop manual, except the following points:

- 1 If the case, fill up the pump feeding tank;
- 2 Arrange bleeding acting on «F» caliper, after having removed it from the supporting flange and placed in such a position that «L» bleeding plug is directed upwards (fig. 378)

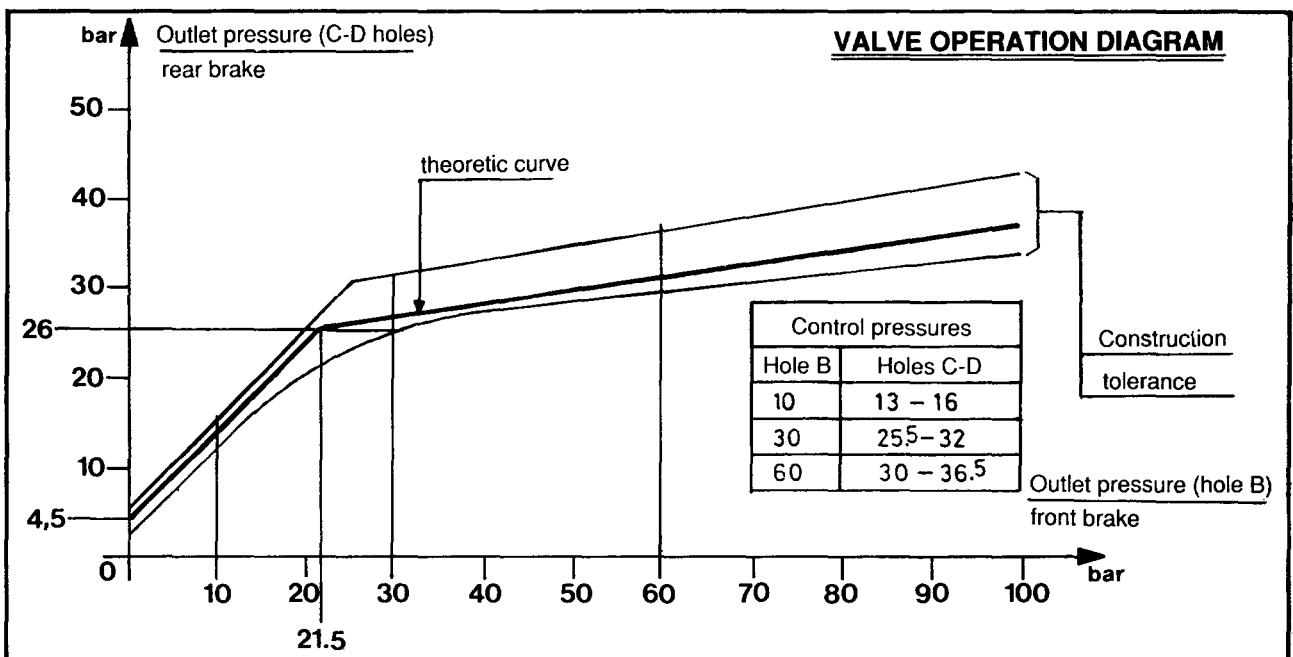


378

PRESSURE DELAYING AND ADJUSTING VALVE (4,5/26)



379



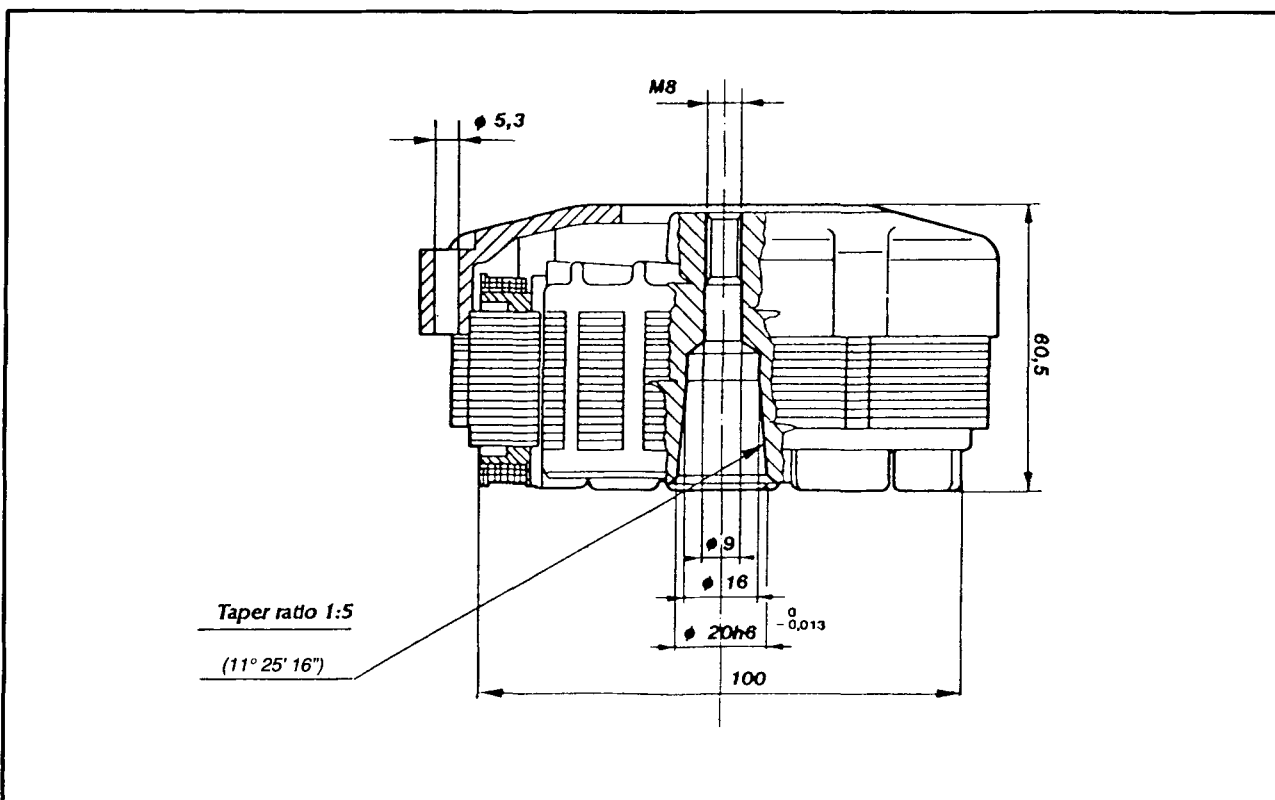
380

24 ELECTRIC SYSTEM

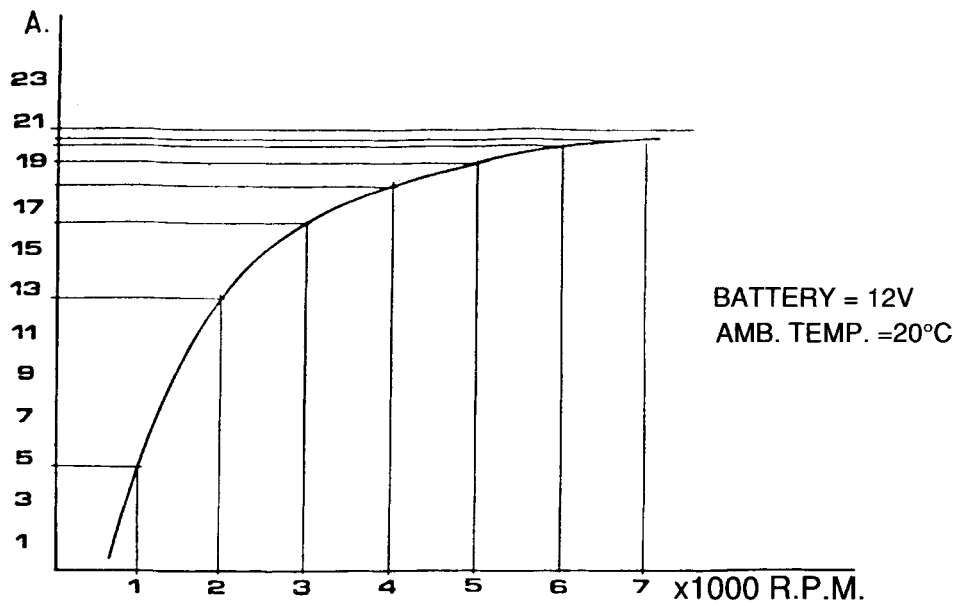
The electric system consists of the following components:

- Battery (12V - 24 Ah)
- Electromagnetic-controlled starter
- Generator-alternator, mounted on the crankshaft front part
- Pick-up assy
- Electronic device
- Ignition coils
- Capacitor for electronic device
- Voltage adjuster
- Fuse holder terminal board (no. 4 of 15A)
- Remote control switch for horns
- Remote control switch for start
- Front headlight
- Rear lamp
- Direction indicators
- User connection switch
- Lights control devices
- Direction indicators, warning horn and passing light control devices
- Emergency lights switch
- Engine start device
- Electric horns
- Signaling pilot lights on dashboard for : gear in neutral (green), tail lamp lighting (green), oil pressure control (red), driving beam (blue), not-enough-voltage generator (red), fuel reserve (red), direction indicators (green).
- Direction indicators beep.

24.2. ALTERNATOR-GENERATOR (SAPRISA)



LOAD CURRENT INTENSITY DIAGRAM



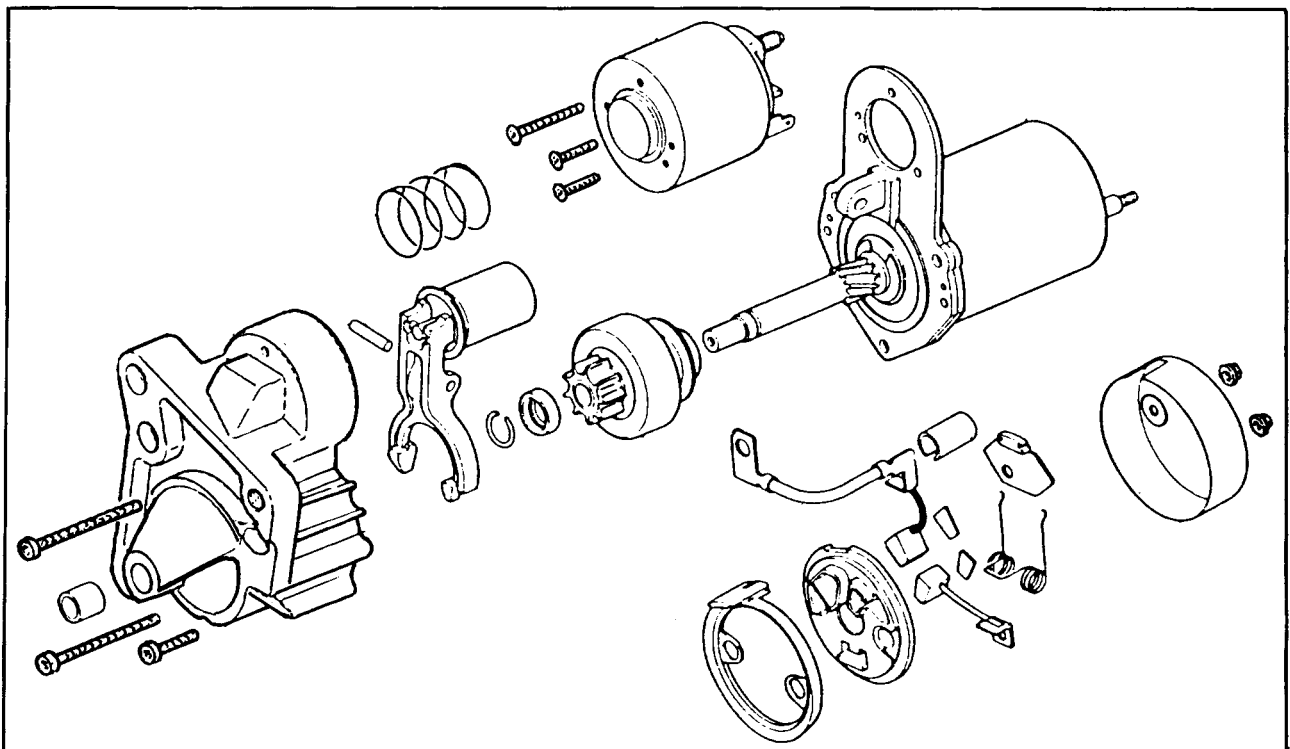
382

24.5. STARTING MOTOR (VALEO)

GENERAL CHARACTERISTICS	
Voltage	12V
Power	1,2 Kw
No-load torque	11 Nm
Load torque	4,5 Nm
Pinion	Z=9 mod. 2,5
Pinion side rotation	Counterclockwise
Speed	1750 rpm
No-load current	600 A
Load current	230 A
Weight	2,8 Kg

WARNING!

The starting motor must not be operated for more than 5 seconds; if the engine doesn't start immediately, wait for 10 seconds before starting again. In any case, press the operation push-button (START) with stopped motor only.



383

24.13 ELECTRONIC IGNITION

Ignition characteristics

Electronic advance change.

■ Initial advance (fixed)	$2^{\circ} \div 3^{\circ}$
■ Max. advance (fixed + electronic)	$34^{\circ} \div 35^{\circ}$
Air gap between detector and rotor:	$0,2 \div 0,4$

The electronic ignition requires almost no maintenance.

TIMING (figg. 385-387)

The engine timing occurs when, in the explosion phase, with the R.H. cylinder in the T.D.C. (top dead center), the L.H. side of the ignition rotor flag A is positioned near the half of the sensor B (R.H. cylinder) on the pick up, identifiable through the black cable. If not, loosen the screws C, and, through a screwdriver, act on the groove E in order to rotate the pick-up holder plate.

Otherwise, it is possible to rotate the ignition device outer body by unscrewing the two lower screws.

For a more accurate advance control, use a stroboscopic gun.

With the engine at 4500 rpm, the mark 4 (max. advance) on the engine flywheel (see fig. 387) must be aligned with the reference 1 on the inspection hole side.

The reference D on the flywheel indicates the T.D.C. (R.H. cylinder).

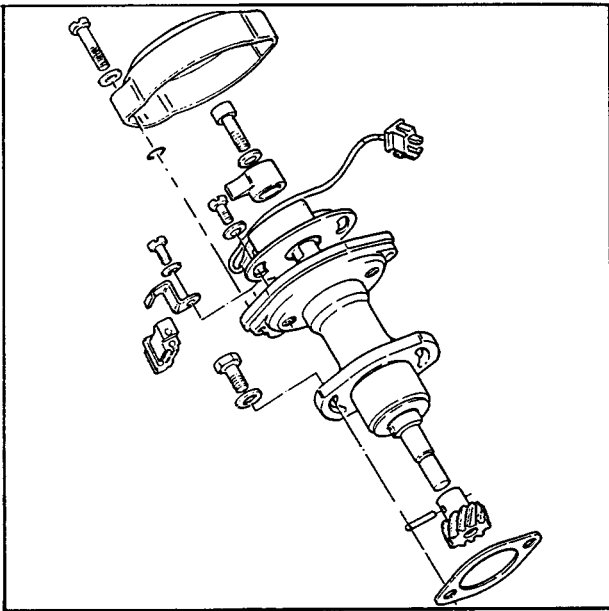
The reference 2 on the flywheel indicates the fixed advance.

WARNING!

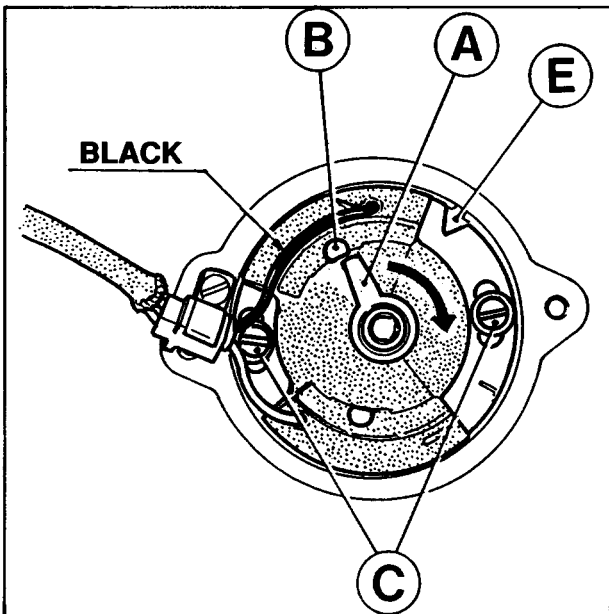
In order to prevent from damaging the electronic ignition system, note the following precautions:

- in case of battery disassembly or reassembly, make sure the ignition switch is in OFF position;
- don't disconnect the battery when the engine is on;
- control the perfect efficiency of electronic devices cables.

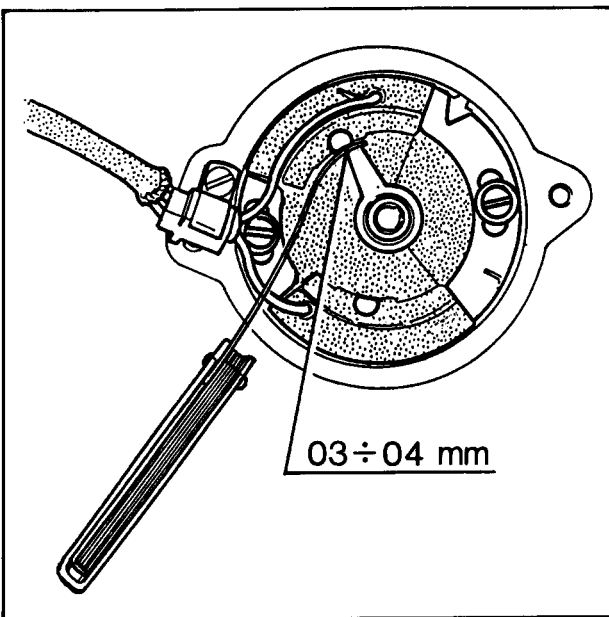
384



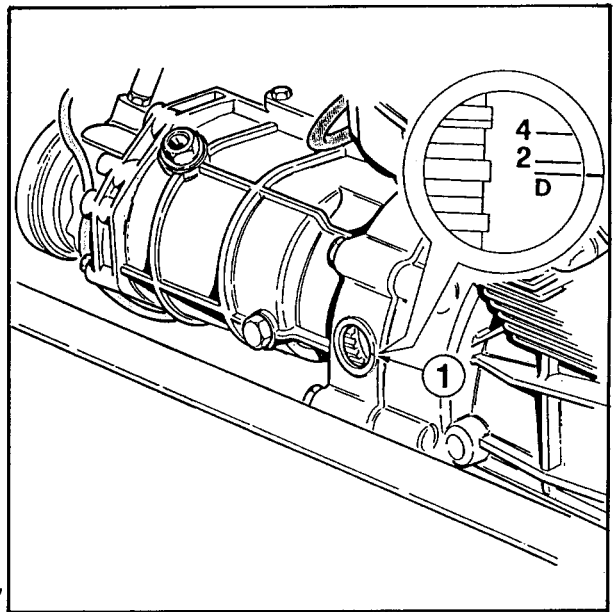
385



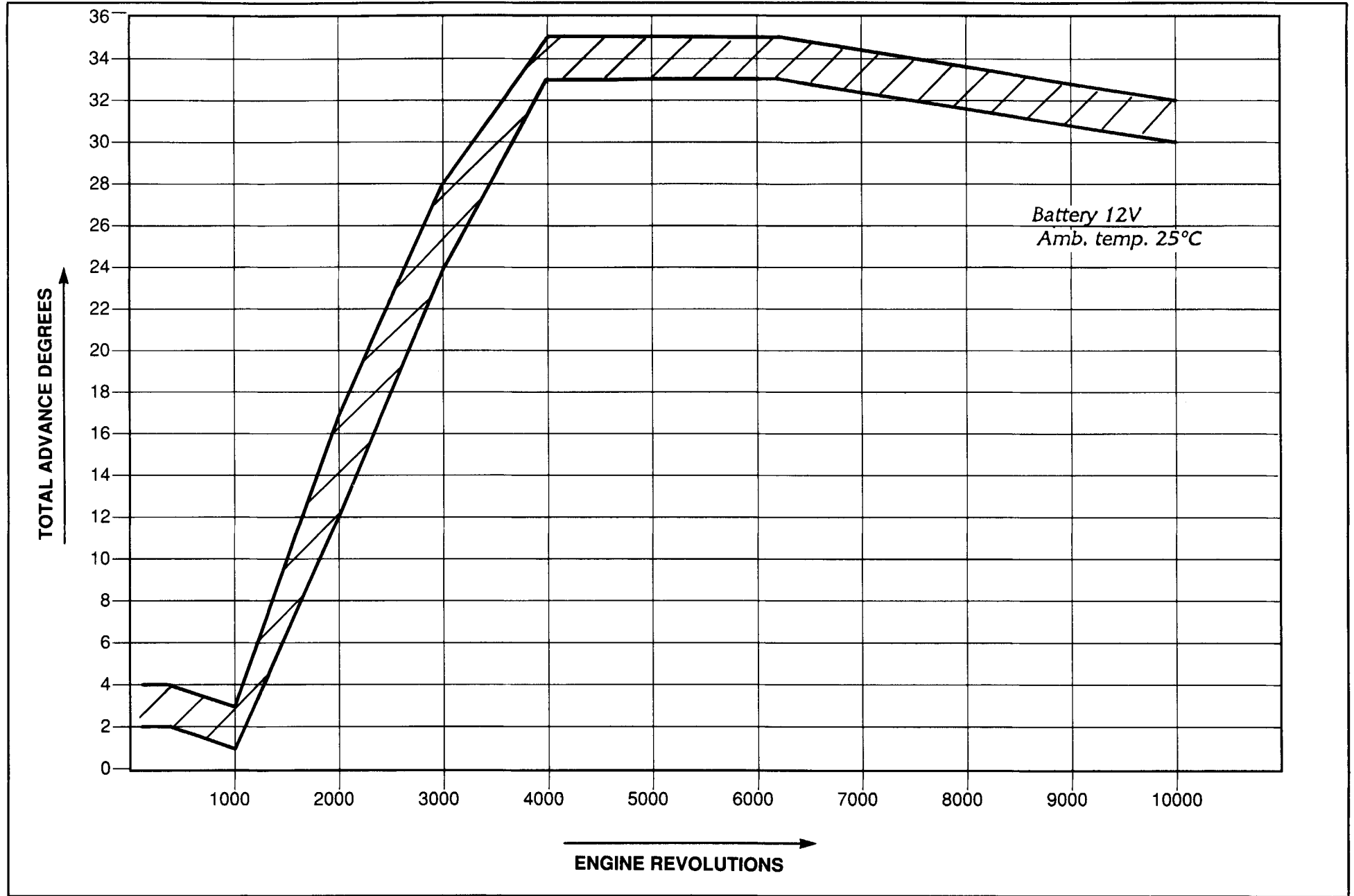
386



387



ELECTRONIC IGNITION ADVANCE CURVE DIAGRAM



25 ELECTRIC SYSTEM DIAGRAM

25.1. Electric system scheme legend

- 1 Driving and traffic beam lamp (60/65 W)
- 2 Front parking light lamp (4 W)
- 3 R.H. direction indicator pilot light lamp
- 4 Speedometer lighting lamp
- 5 Revolution counter lighting lamp
- 6 L.H. direction indicator pilot light
- 7 4-way Molex connector
- 8 Fuel level pilot light lamp
- 9 Oil pressure pilot light lamp
- 10 Generator pilot light lamp
- 11 "Neutral" pilot light lamp
- 12 Parking light pilot light lamp
- 13 Driving beam pilot light lamp
- 14 Simultaneous flasher switching
- 15 R.H. front direction indicator
- 16 Front brake stop switch
- 17 Ignition switch
- 18 L.H. front direction indicator
- 19 Bi-tonal horns
- 20 Engine start/stop device
- 21 "Neutral" position switch
- 22 Oil pressure switch
- 23 Flashing device (12V - 46W)
- 24 Direction indicators-horn-lights control device
- 25 Ignition sparking plugs
- 26 High voltage coils
- 27 Electronic devices for electronic ignition
- 28 Rear brake stop switch
- 29 Fuse-holder terminal switch
- 30 Fuel pilot light level transmitter
- 31 Voltage regulator
- 32 Alternator (14V - 20A)
- 33 Capacitor
- 34 Battery (12V - 24Ah)
- 35 Starting remote control switch
- 36 Starting motor
- 37 R.H. rear direction indicator
- 38 Stop and number plate light
- 39 L.H. rear direction indicator
- 40 Bi-tonal horns remote control switch
- 41 Pick up
- 42 6-way AMP connector
- 43 6-way Molex connector
- 44 Voltmeter
- 45 Clock
- 46 4-way AMP connector
- 47 Direction indicators beep

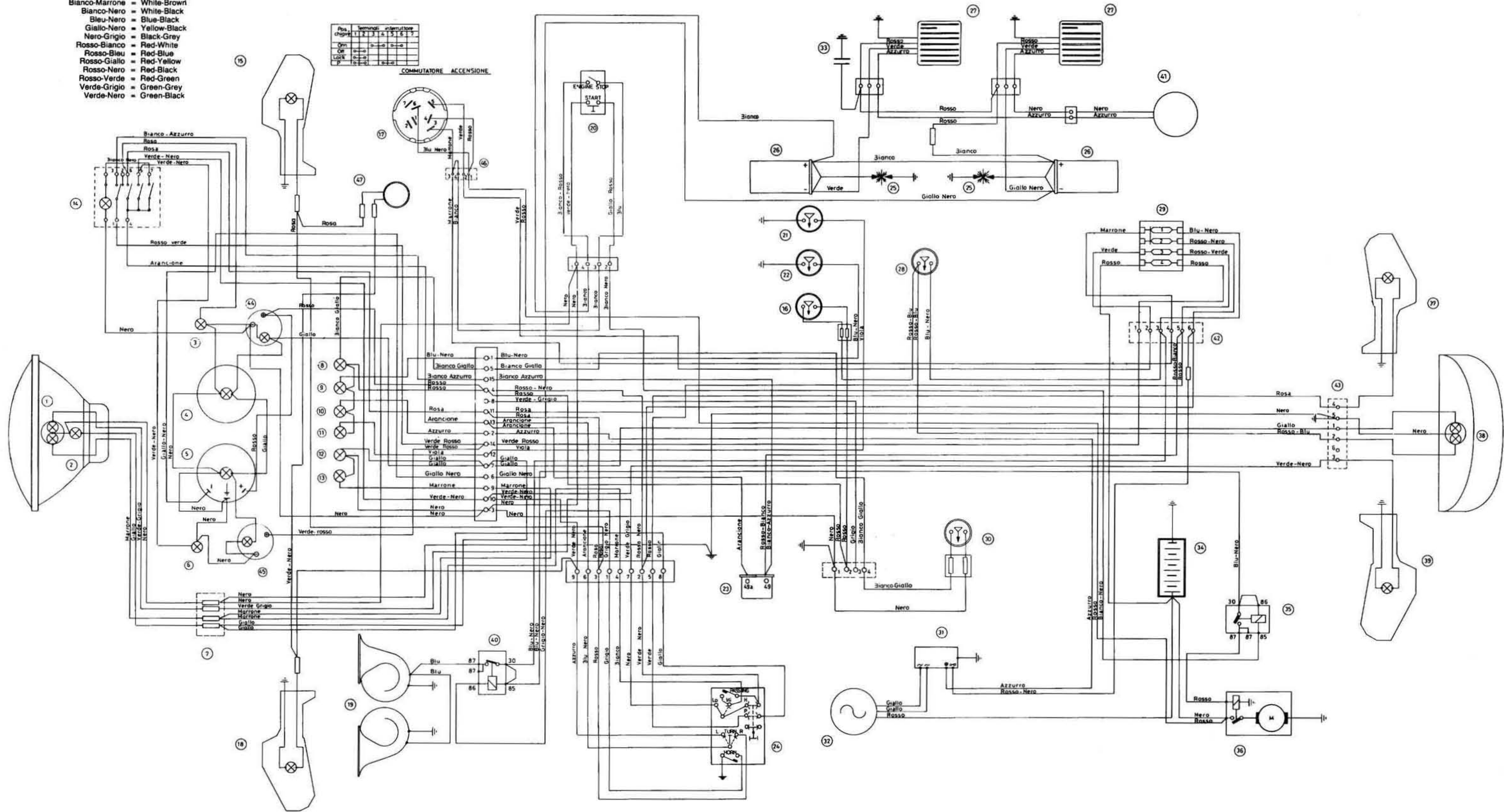
Fuse 1: Acoustic warning - starting remote control switch; stop light.

Fuse 2: pilot lights (generator, oil pressure, neutral), driving beam, traffic beam, passing, stop light.

Fuse 3: parking light - direction indicators.

Fuse 4: emergency lights.

- Arancio = Orange
- Azzurro = Light blue
- Bianco = White
- Giallo = Yellow
- Grigio = Grey
- Marrone = Brown
- Nero = Black
- Rosa = Pink
- Rosso = Red
- Verde = Green
- Viola = Violet
- Bianco-Azzurro = White-Light blue
- Bianco-Giallo = White-Yellow
- Bianco-Marrone = White-Brown
- Bianco-Nero = White-Black
- Blu-Nero = Blue-Black
- Giallo-Nero = Yellow-Black
- Nero-Grigio = Black-Grey
- Rosso-Bianco = Red-White
- Rosso-Blu = Red-Blue
- Rosso-Giallo = Red-Yellow
- Rosso-Nero = Red-Black
- Rosso-Verde = Red-Green
- Verde-Grigio = Green-Grey
- Verde-Nero = Green-Black



- Arancio = Orange
- Azzurro = Light blue
- Bianco = White
- Giallo = Yellow
- Grigio = Grey
- Marrone = Brown
- Nero = Black
- Rosa = Pink
- Rosso = Red
- Verde = Green
- Viola = Violet
- Bianco-Azzurro = White-Light blue
- Bianco-Giallo = White-Yellow
- Bianco-Marrone = White-Brown
- Bianco-Nero = White-Black
- Bleu-Nero = Blue-Black
- Giallo-Nero = Yellow-Black
- Nero-Grigio = Black-Grey
- Rosso-Bianco = Red-White
- Rosso-Bleu = Red-Blue
- Rosso-Giallo = Red-Yellow
- Rosso-Nero = Red-Black
- Rosso-Verde = Red-Green
- Verde-Grigio = Green-Grey
- Verde-Nero = Green-Black

Pos. chiave	Terminali interruttore						
	1	2	3	4	5	6	7
On							
Off							
Lock							
P							

COMMUTATORE ACCENSIONE

