

Key to cable colors

1	Black	Battery V to starter motor relay Z
2	Red	Regulator U 51B+ to battery V+
3	Red	Battery V to ignition switch Q
4	Grey-red	Generator T to regulator U (D+)
5	White	Generator T to regulator U (DF)
6	Black	Terminal with fuses C to stop cut-out O
7	Yellow	Distributing block D to tail light bulb R
8	Green	Neutral cut-out N to warning light F on speedometer
9	Brown	Ignition switch Q (50) to starter relay Z
10	Blue-black	Terminal block C to H.T. coil I
11	Grey	Oil pressure cut-out P to speedometer L
12	Red	Generator T to warning light D on speedometer L
13	Black	Distributing block D to horn M (T-)
14	Red	Terminal block with fuses C to ignition switch Q
15	White	Distributing block D to warning bulb Q in speedometer L
16	Yellow-black	Distributing block D to warning light LA on speedometer
17	Brown	Terminal block C to ignition switch Q (Int.)
18	White-black	Terminal block C to speedometer L
19	Green	Distributing block C to light switch E

20	Green-black	Distributing block D to light switch E
21	Grey-red	Distributing block D to light switch E
22	Brown	Terminal block C to light switch E
23	Black	Distributing block D to light switch E
25	Black	Stop light cut-out O to tail light bulb S
26	Black	Regulator U to ground
27	Black	Battery V to ground
28	Black	H.T. coil I to contact breaker H
29	Black	H.T. coil I to distributor G
30	Black	Distributor G to spark plug F
31	Black	Distributor G to spark plug F
37	Black	Distributing block D to ground
41	Green-black	Distributing block D to high beam filament B
42	Green	Distributing block D to low beam filament B
43	Black	Headlight bulb B to distributing block D

Ignition switch positions

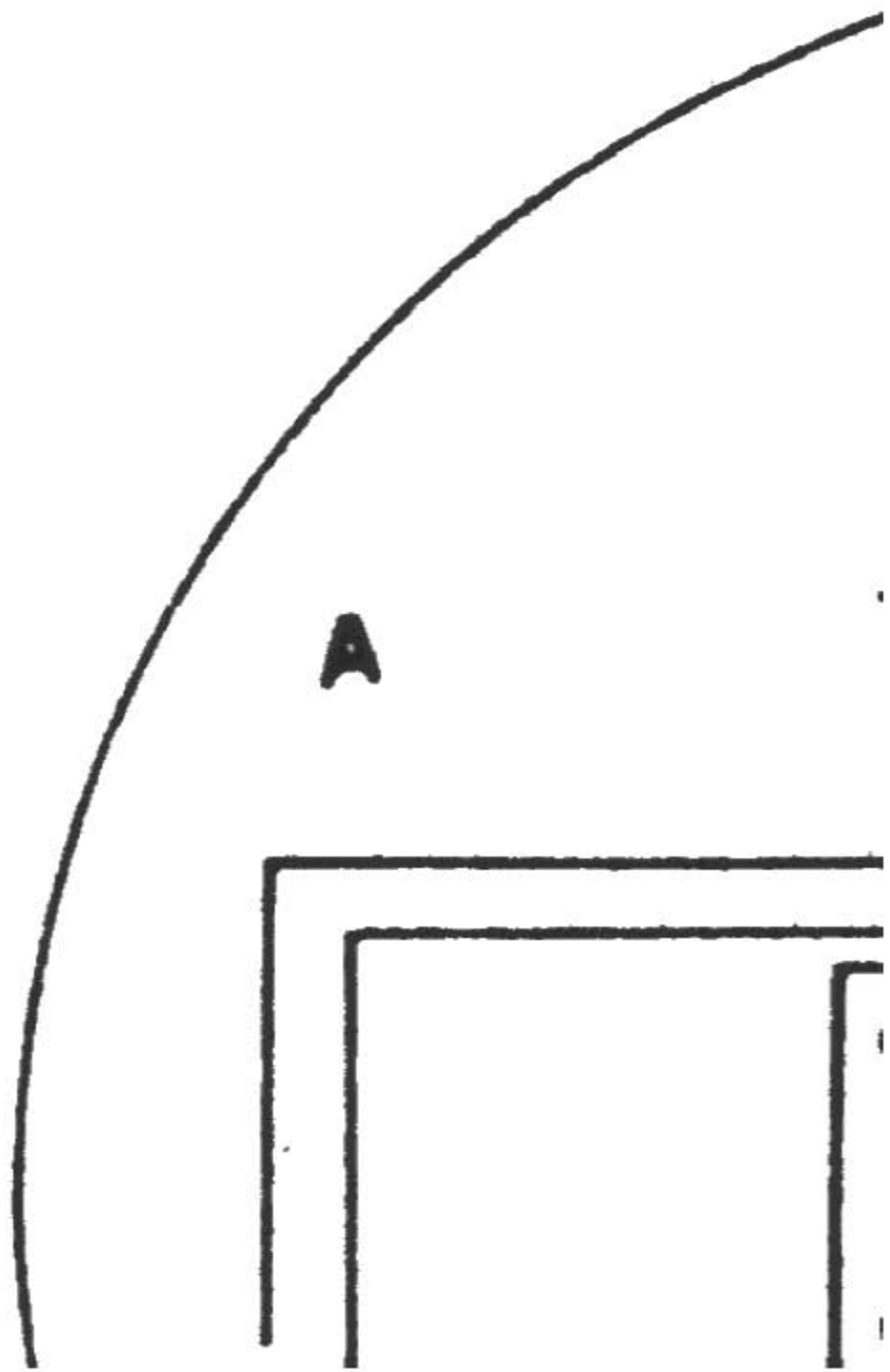
0	
1	30/30 int.
2	30/20 int. 15/54
3	30/30 int. 15/54 50

Legend

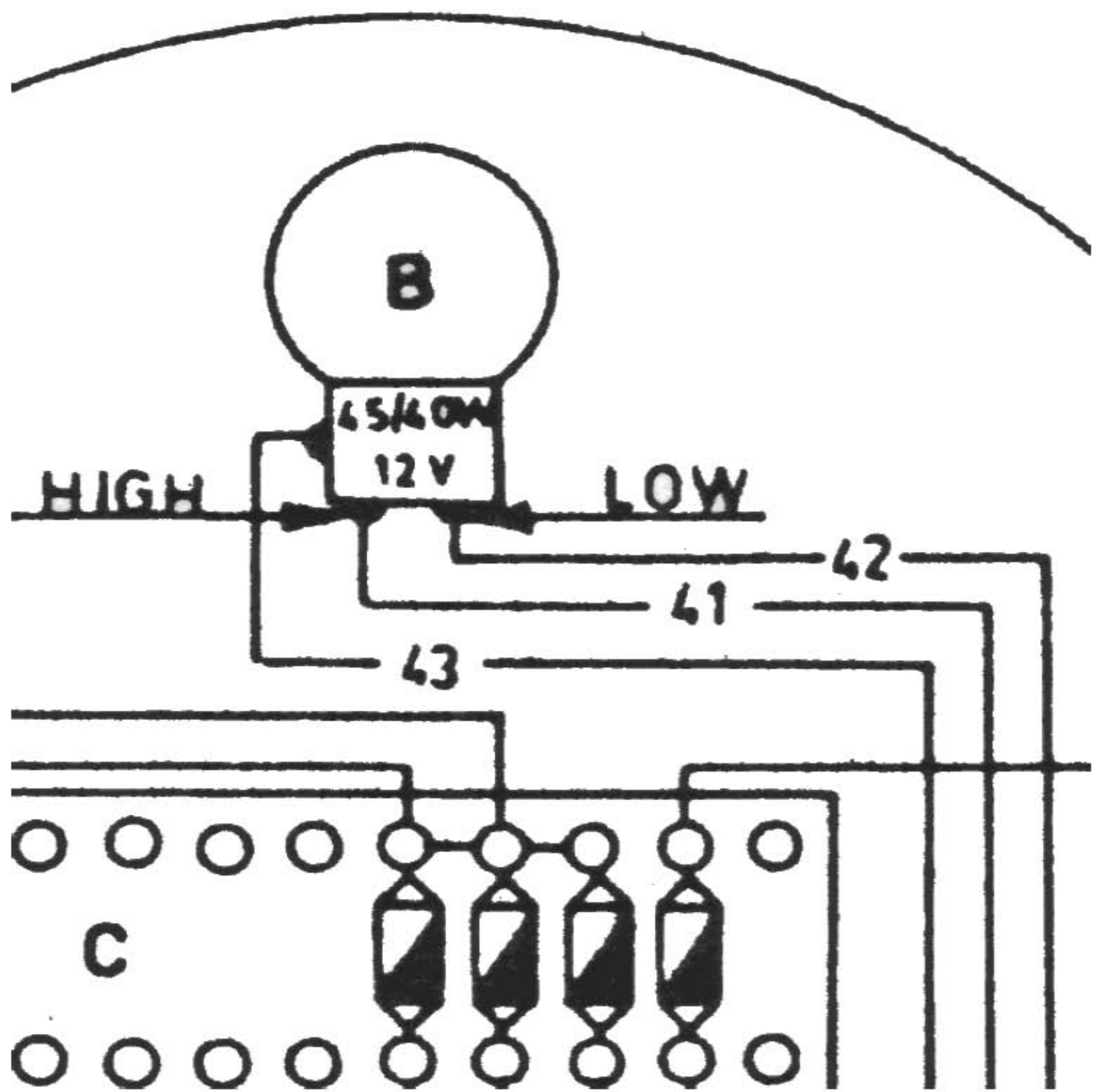
A	Headlight
B	Main light bulb
C	Terminal block with fuses
D	Distributing block
E	Light switch and horn button
F	Spark plug
G	Distributor
H	Contact breaker
I	H.T. coil
L	Speedometer and warning light bulbs
M	Horn
N	Neutral indicator cut-out
O	Stop light cut-out
P	Oil pressure cut-out
Q	Ignition switch
R	Number plate and tail light
	Plate illumination and stop light
T	Generator
U	Regulator
V	Battery
Z	Starter motor relay
X	Starter motor



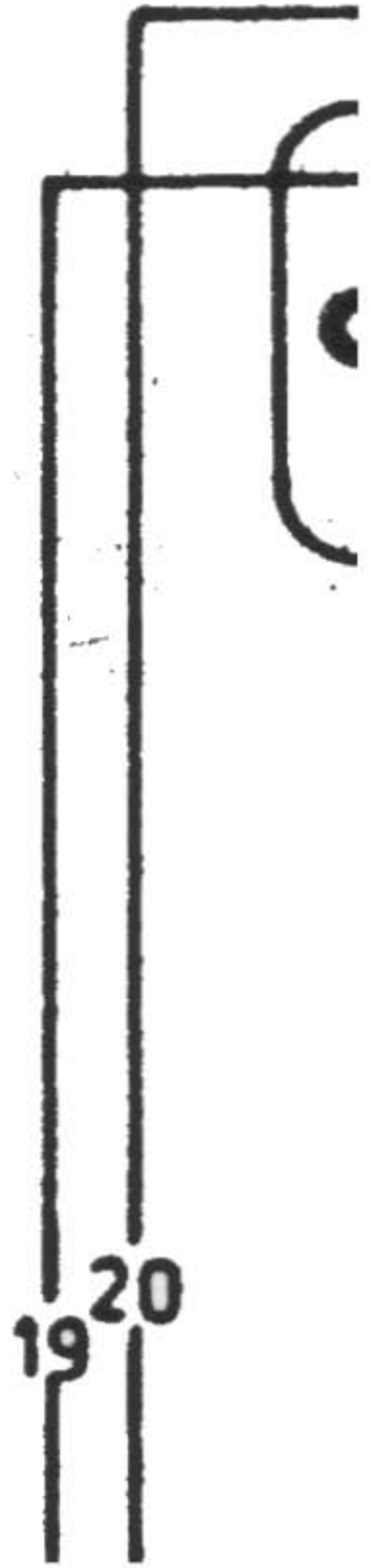
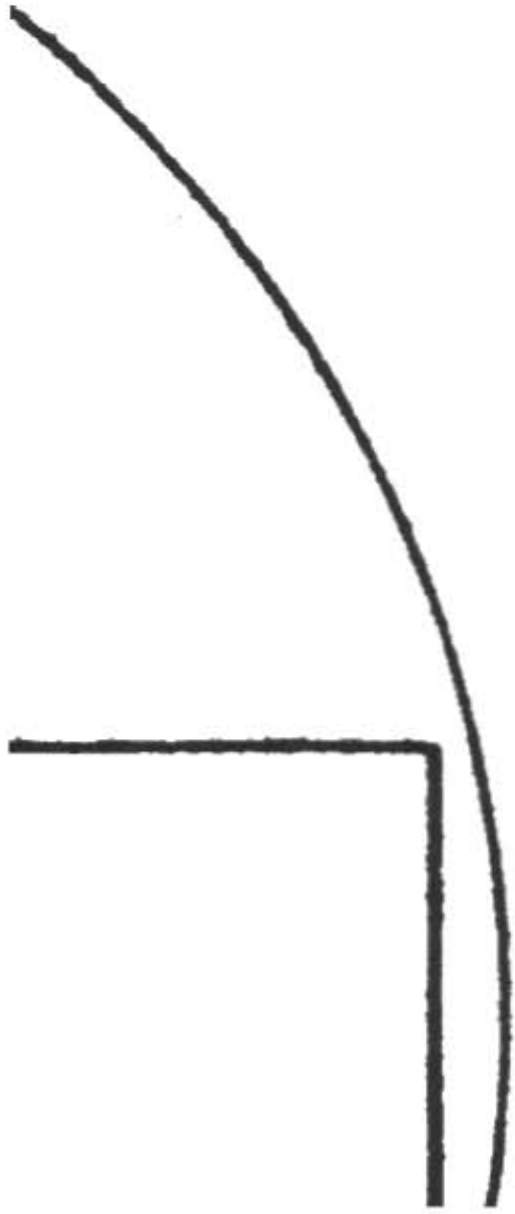
WI

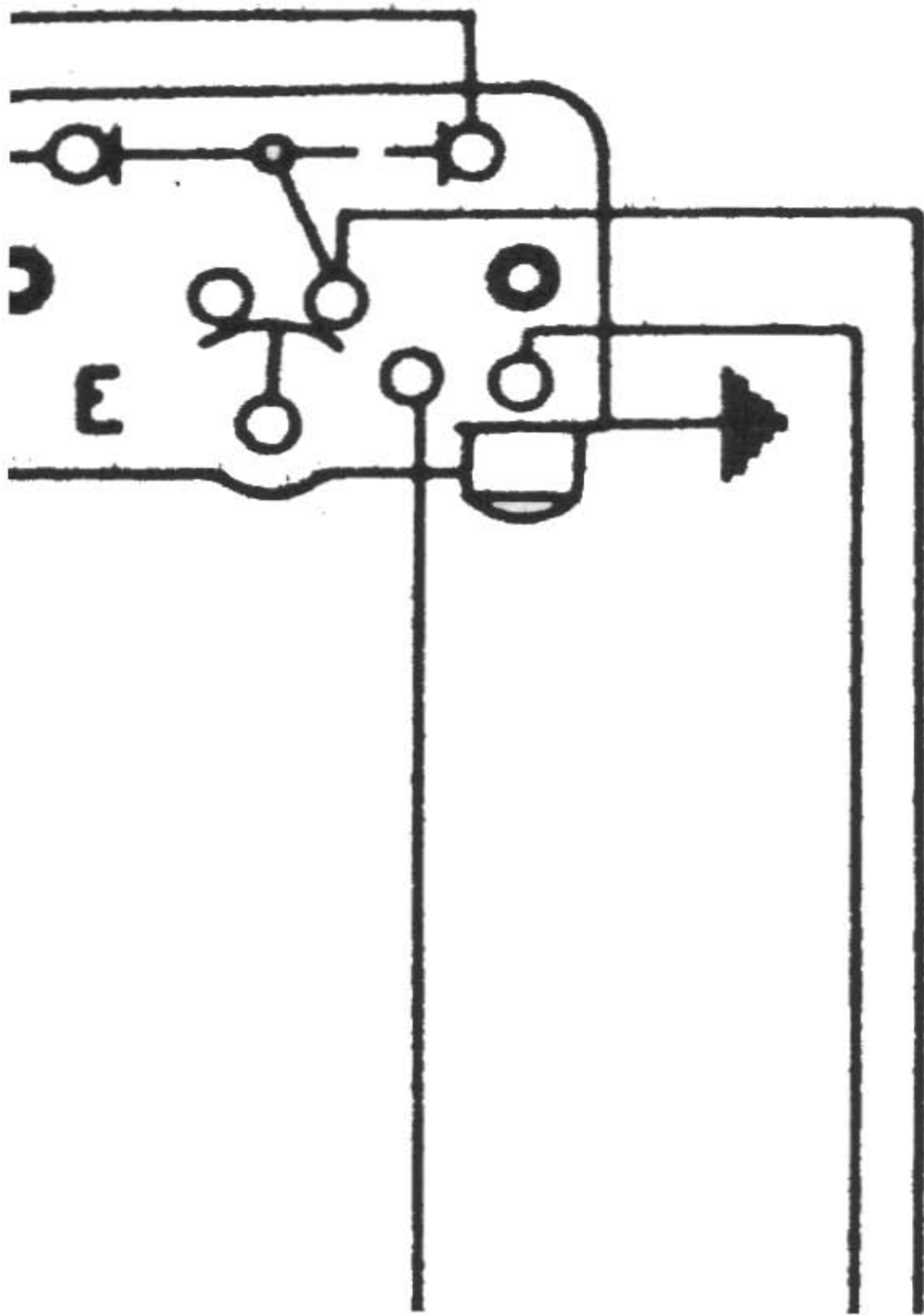


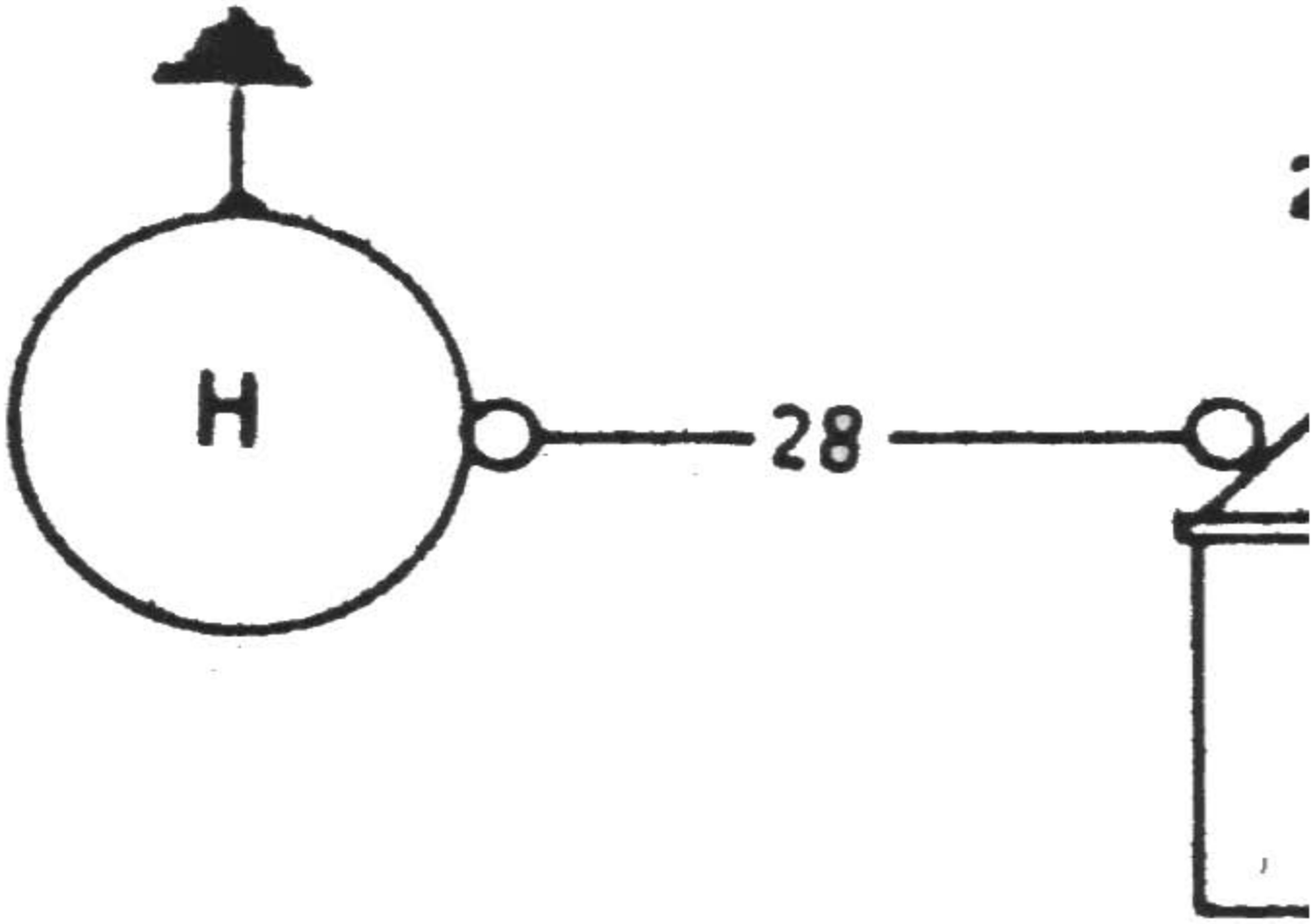
RING DIAGRAMS



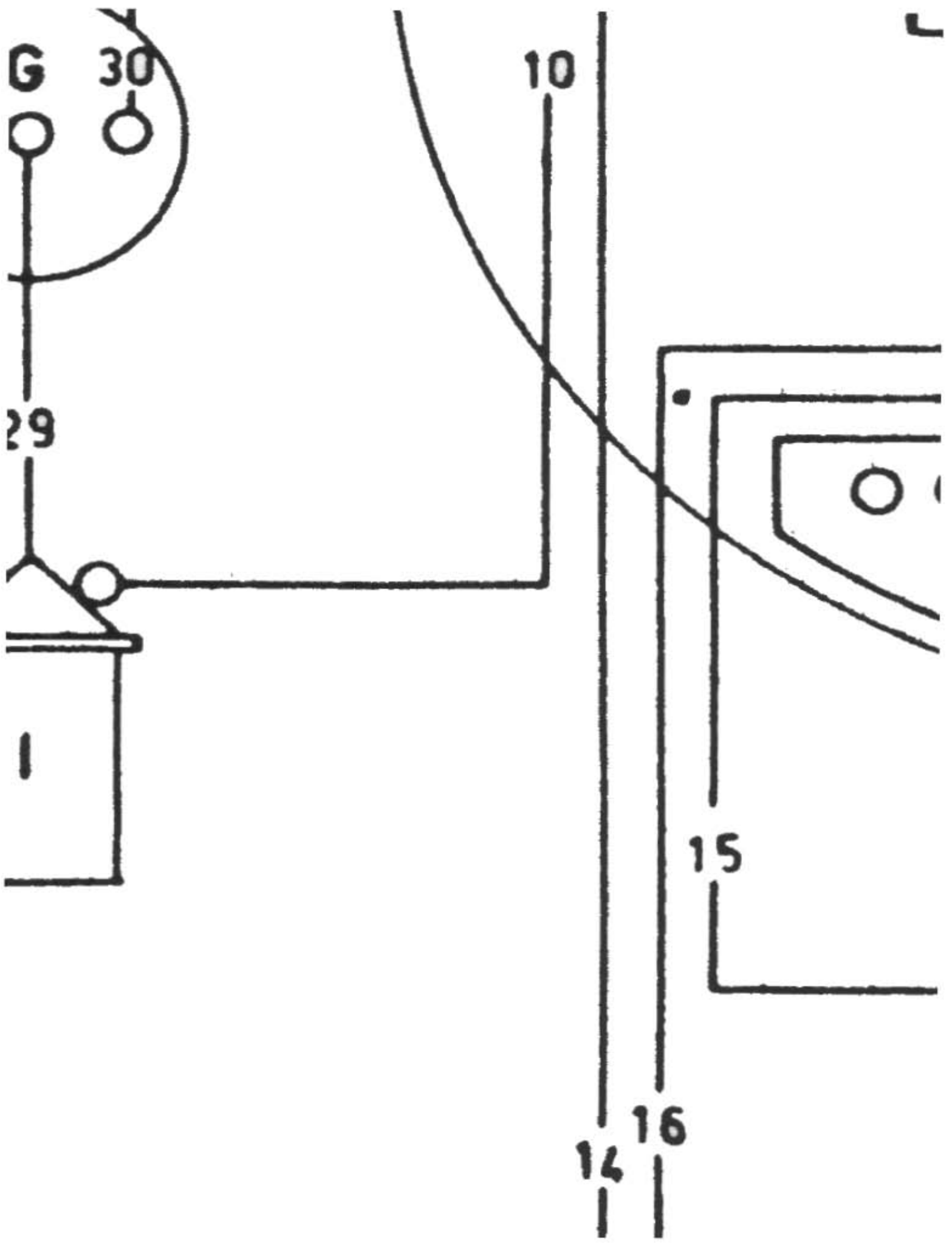
S

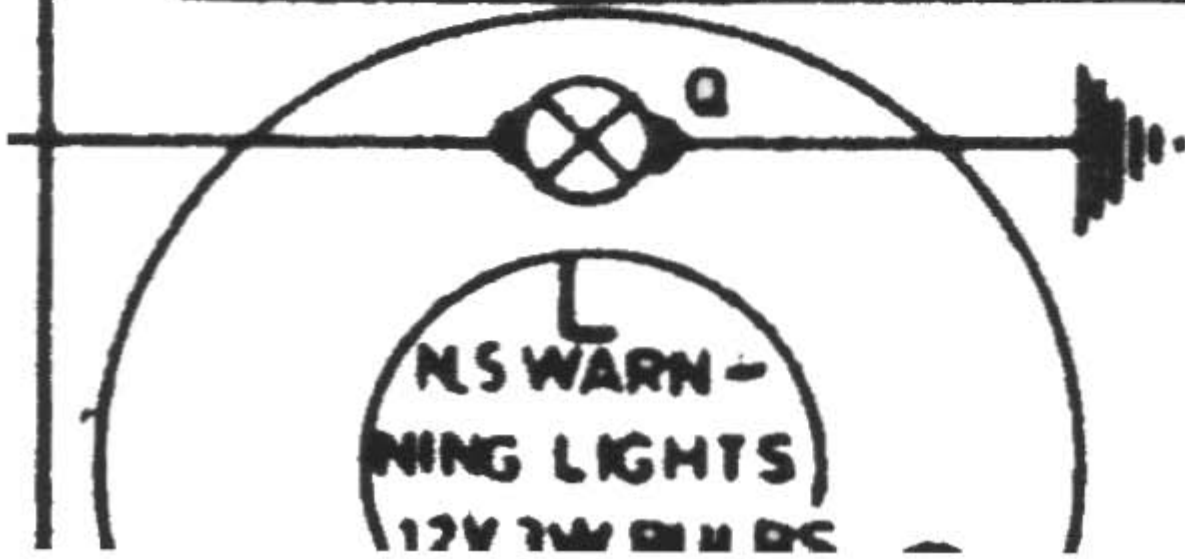
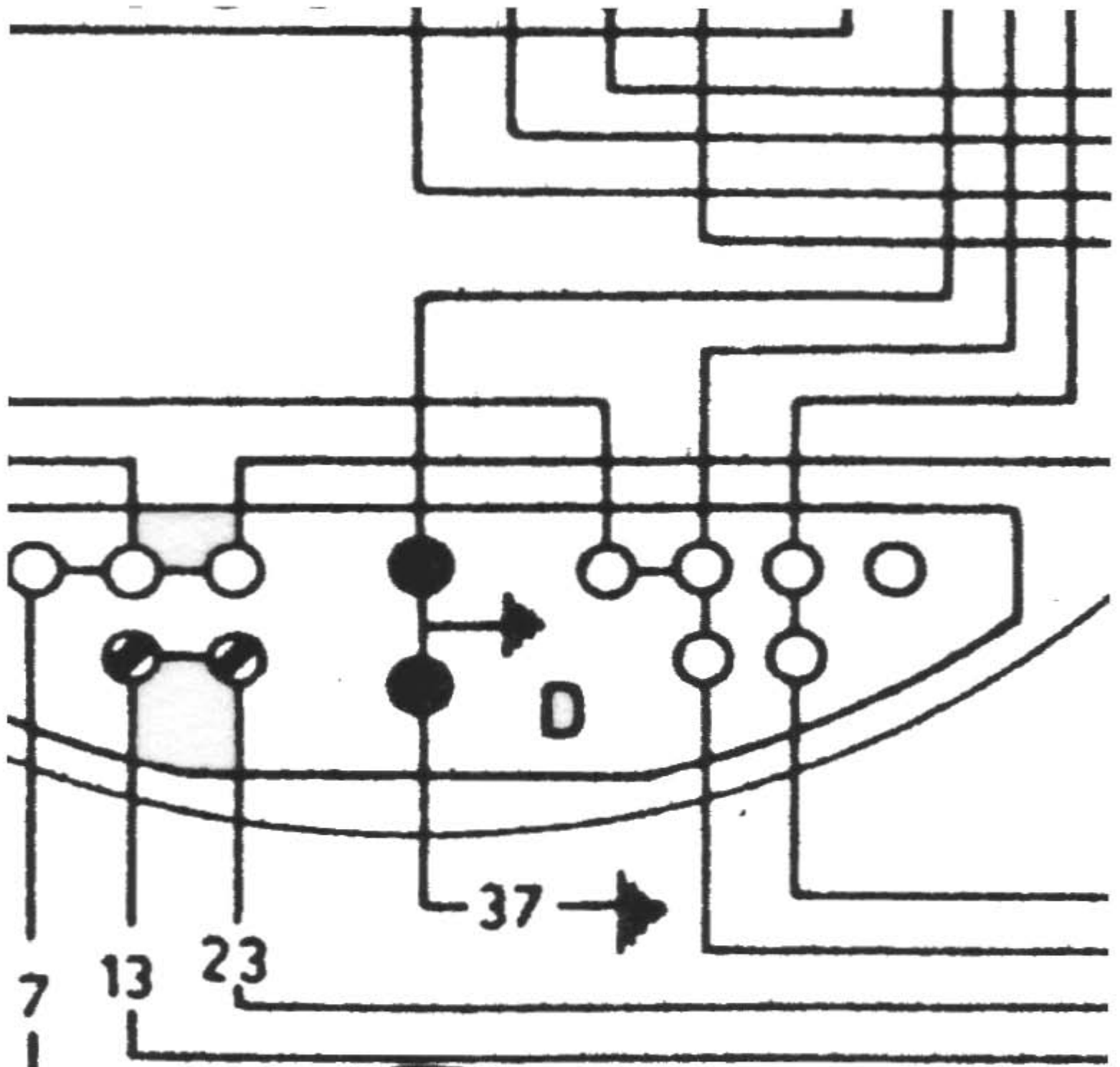


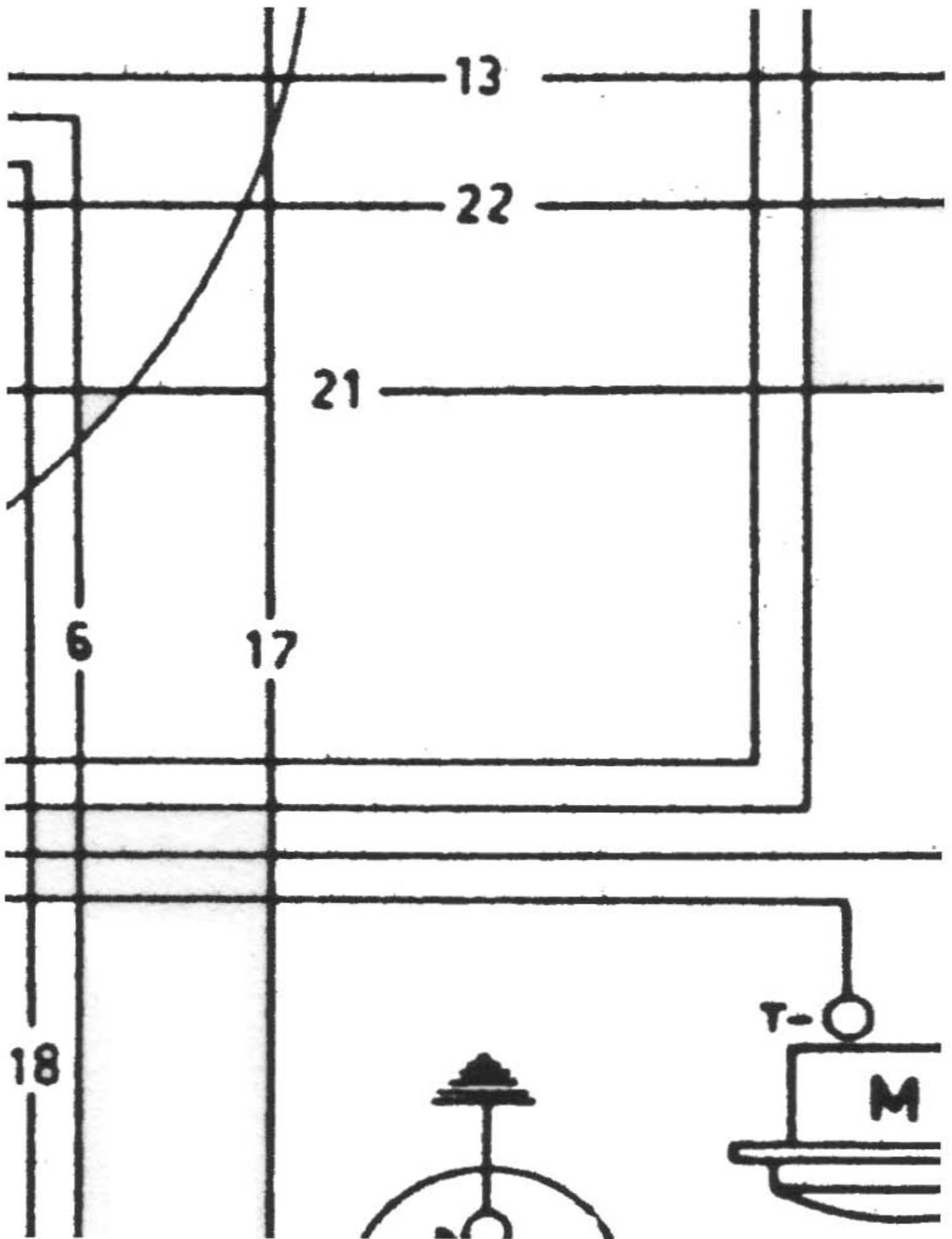


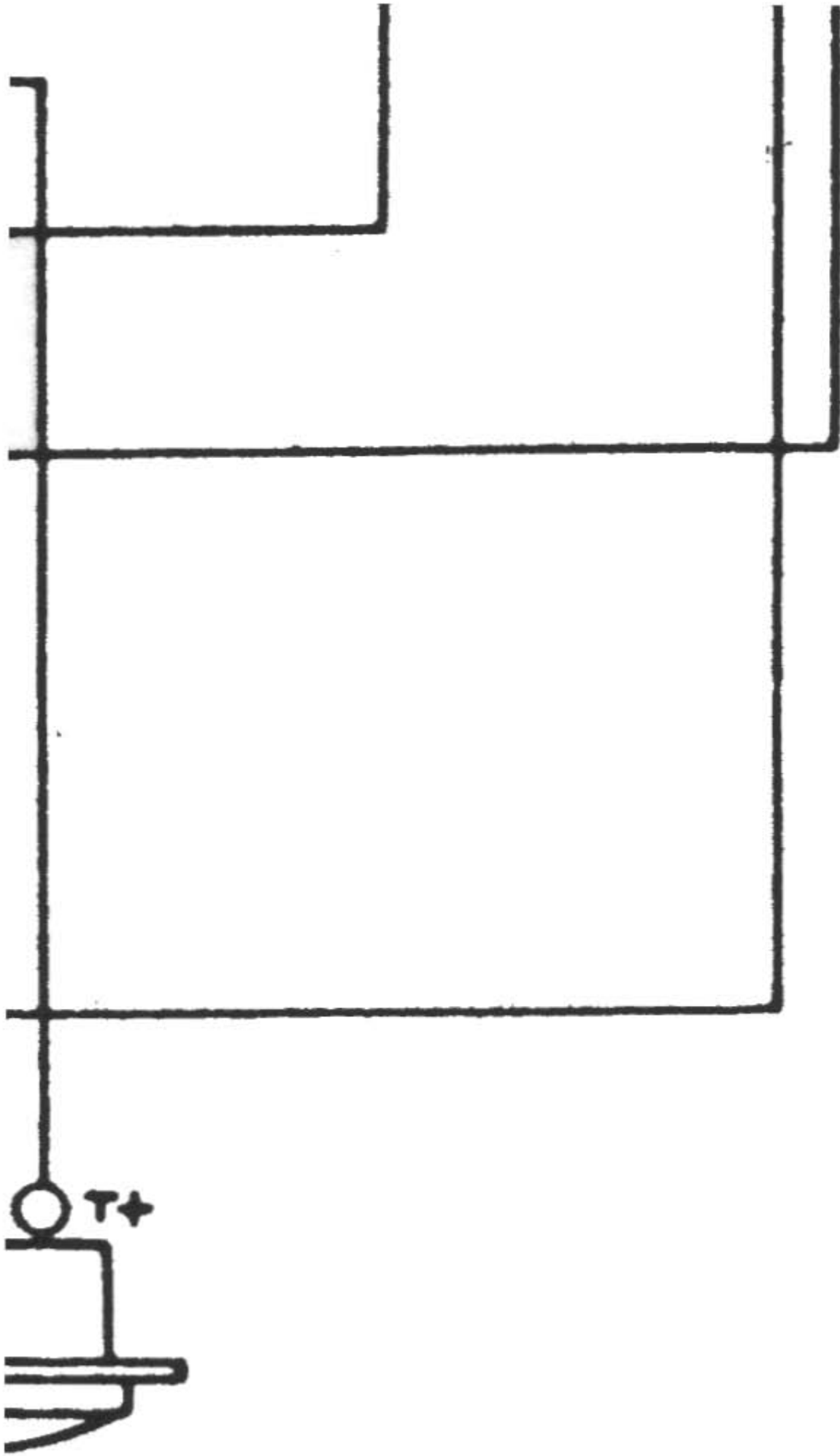


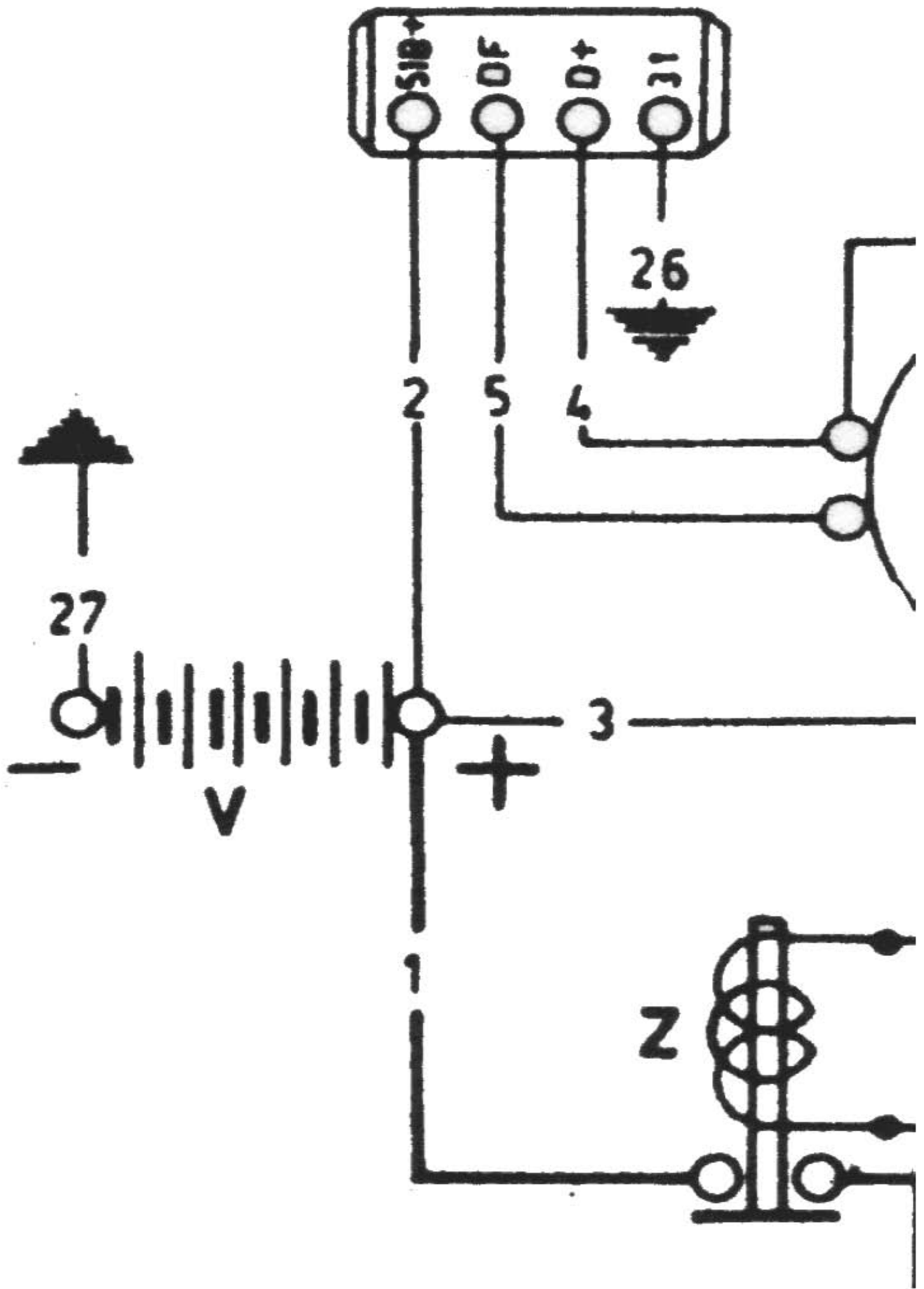
U

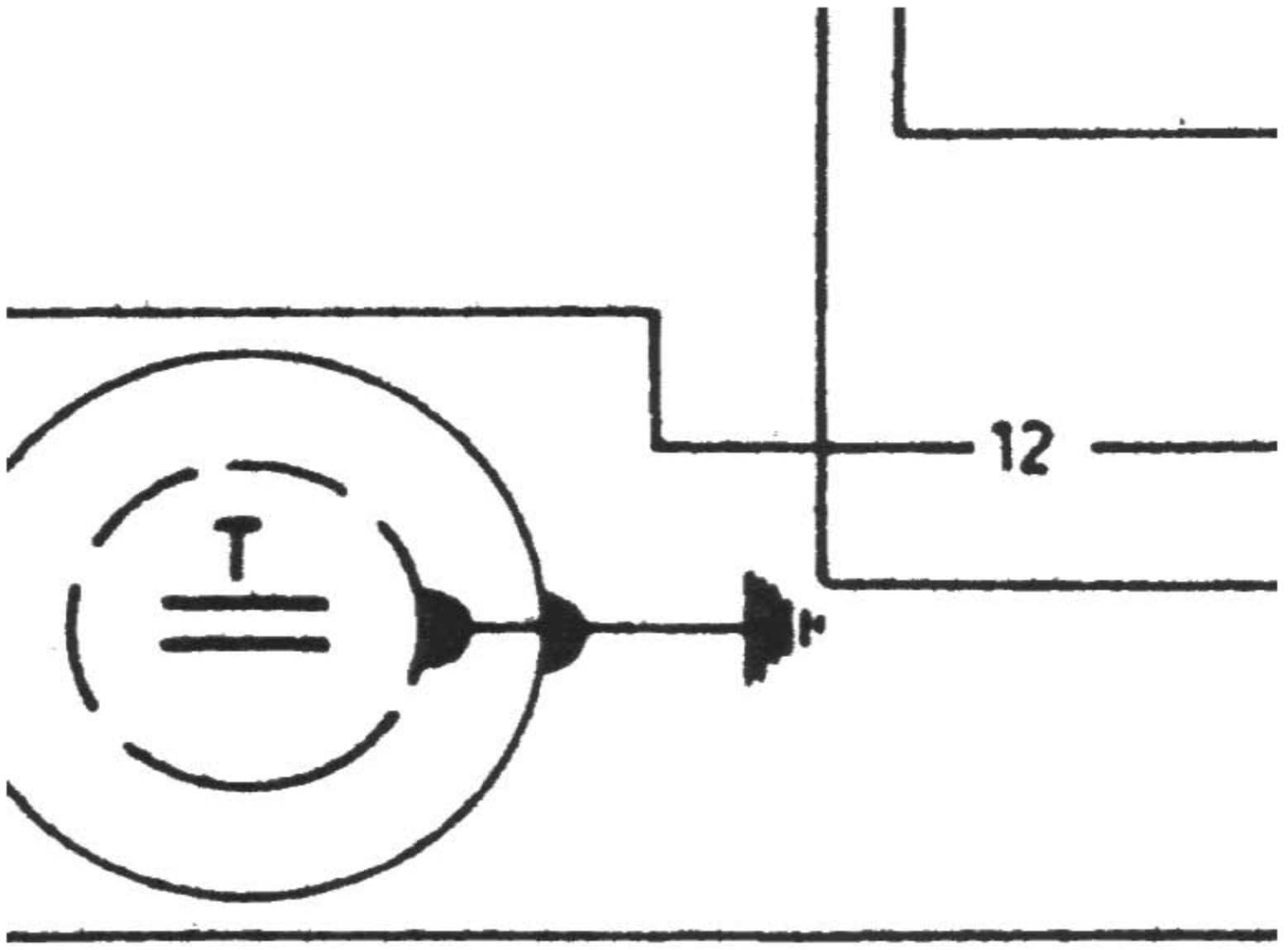


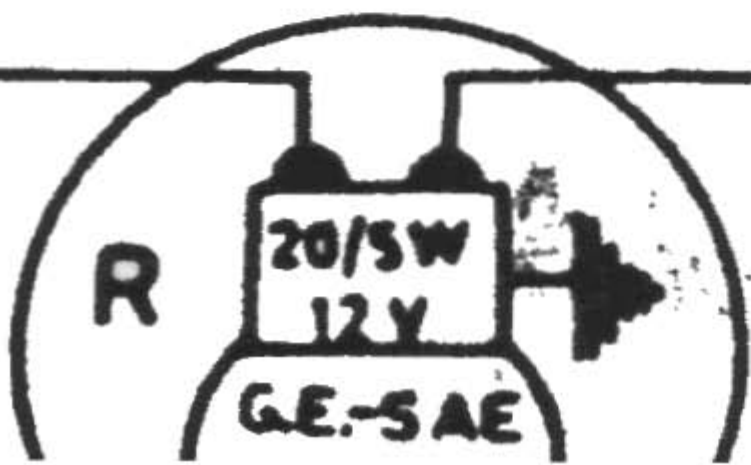
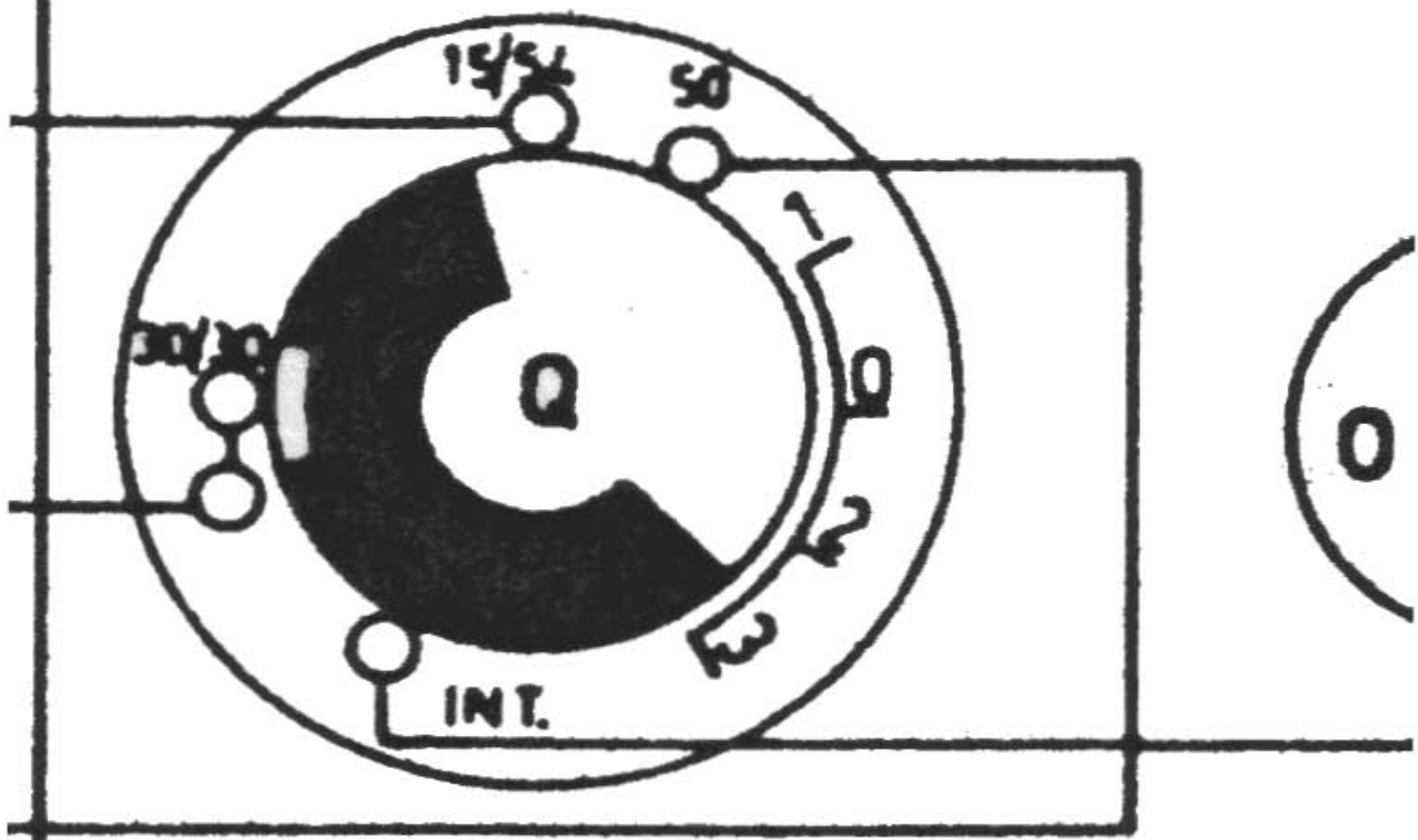
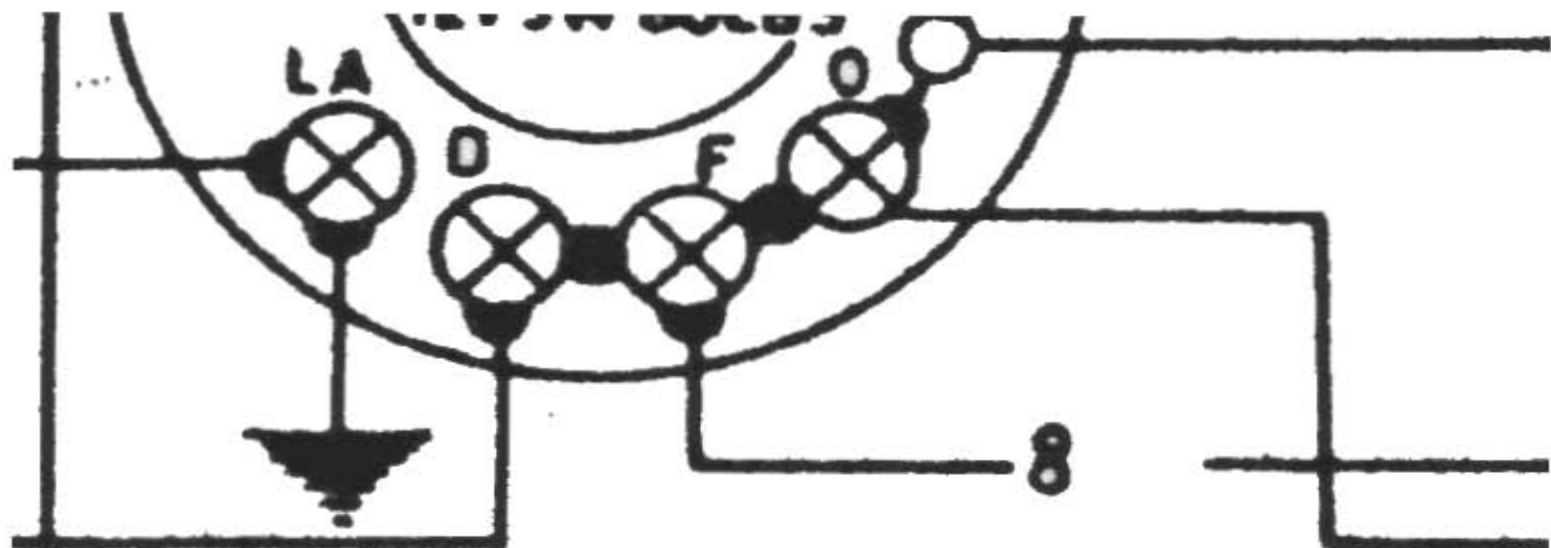


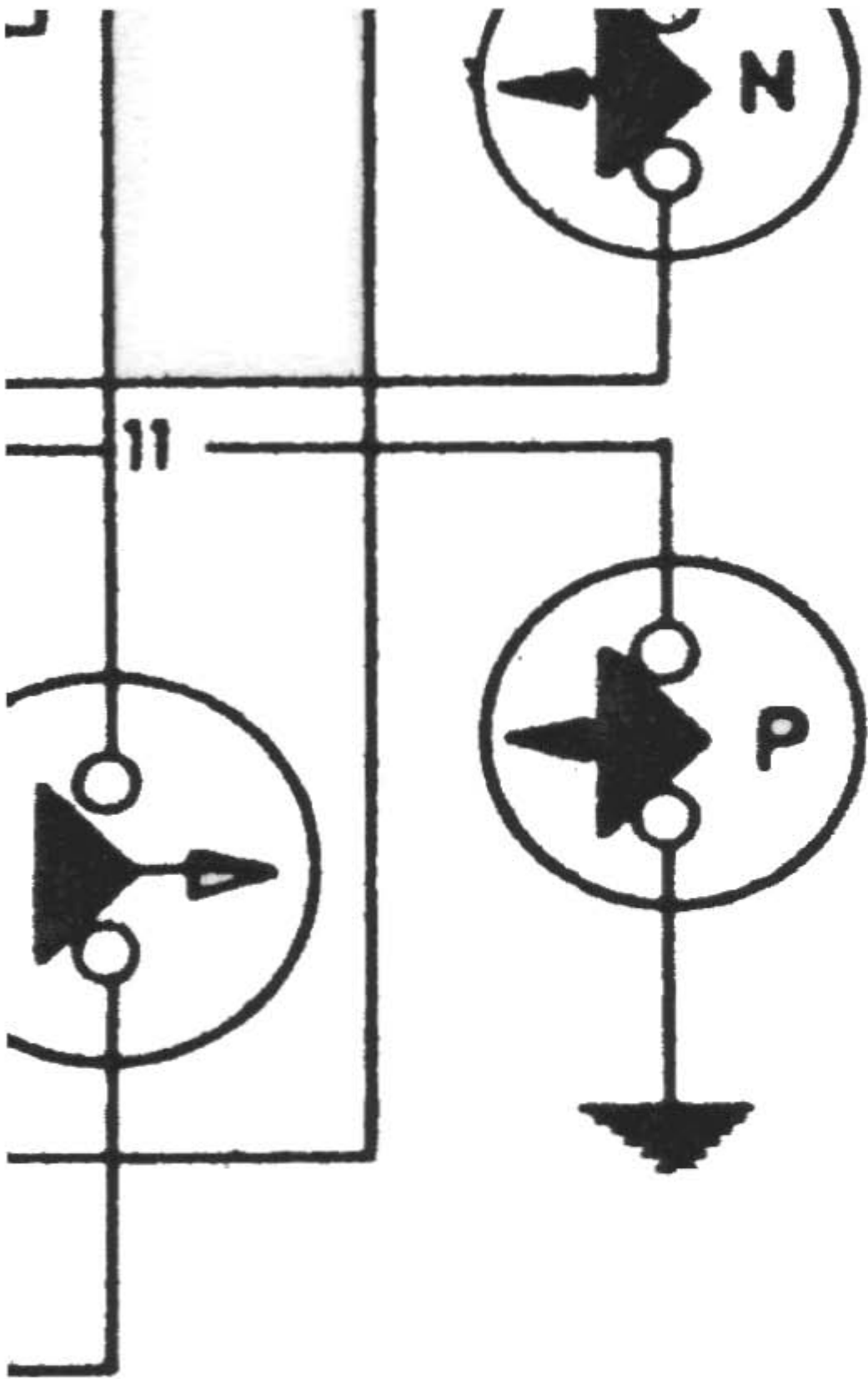














Wiring



diagram (V700 USA n

model)

