

Key to cable colors

1	Black	Battery V to starter motor solenoid Z
2	Red	Regulator U 51B+ to battery V+
3	Red	Battery V to ignition switch Q
4	Grey-red	Generator T to regulator U (D+)
5	White	Generator T to regulator U (DF)
6	Black	Terminal with fuses C to stop cut-out O
7	Yellow	Distributing block D to tail light bulb R
8	Green	Neutral cut-out N to warning light DD
9	Brown	Starter button L to starter solenoid Z
9/1	Blue-black	Terminal block C to starter button
10	Blue-black	Terminal block C to H.T. coil I
10/1	Blue-black	Rev-counter BB (+) to H.T. coil I
11	Grey	Oil pressure cut-out P to oil pressure indicator FF
12	Red	Generator T to warning light EE
13	Black	Distributing block D to horn M (T-)
14	Red	Terminal block C to ignition switch Q (15-54)
15	White	Distributing block D to speedometer AA
16	Yellow-black	Distributing block D to warning light CC
17	Brown	Terminal block C to ignition switch Q (Int.)
18	White-	Terminal block C to warning light EE

	black	
19	Green	Distributing block D to light switch E
20	Green-black	Distributing block D to light switch E
21	Grey-red	Distributing block D to light switch E
22	Brown	Terminal block C to light switch E
23	Black	Distributing block D to light switch E
25	Black	Stop light cut-out O to tail light bulb S
26	Black	Regulator U to ground
27	Black	Battery V to ground
28	Black	H.T. coil I to contact breaker H
29	Black	H.T. coil I to distributor G
29/A	Black	H.T. coil I to rev-counter BB
30	Black	Distributor G to spark plug F
31	Black	Distributor G to spark plug F
37	Black	Headlight B to ground
37/A	Black	Rev-counter BB to ground
37/B	Black	Starter motor solenoid Z to neutral indicator N
41	Green-black	Distributing block D to high beam filament B
42	Green	Distributing block D to low beam filament B
43	Black	Headlight bulb B to distributing block D

Ignition switch positions

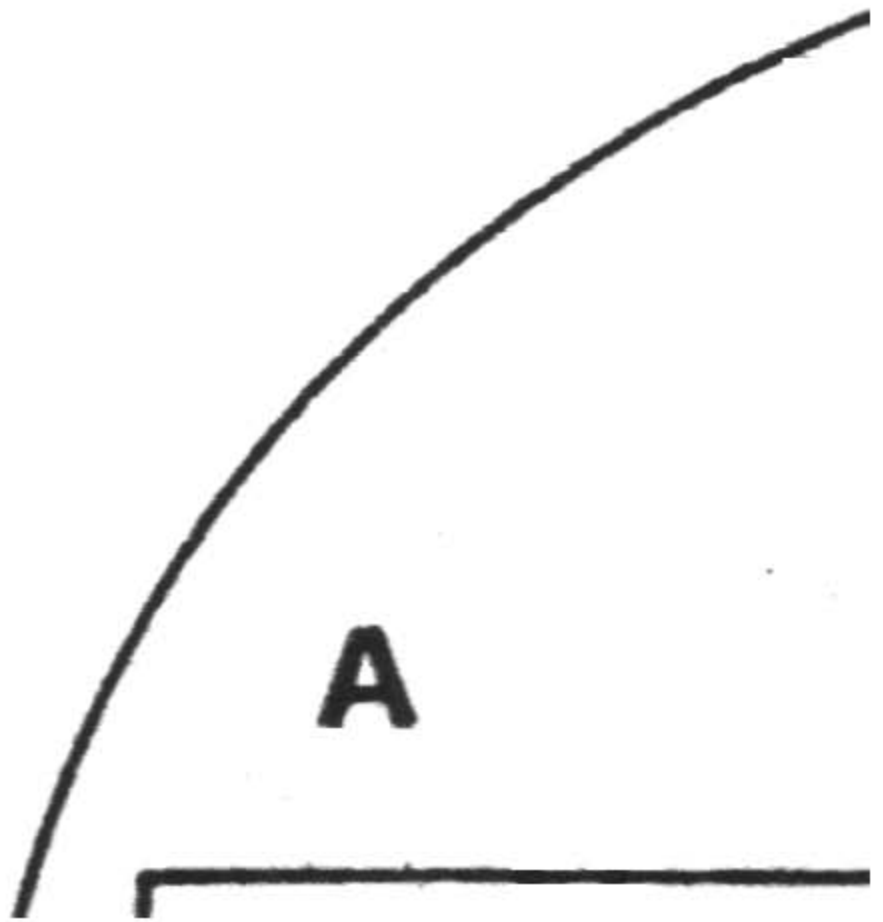
0	
1	30/30 int.
2	30/30 int. 15/54
3	30/30 int. 15/54 50

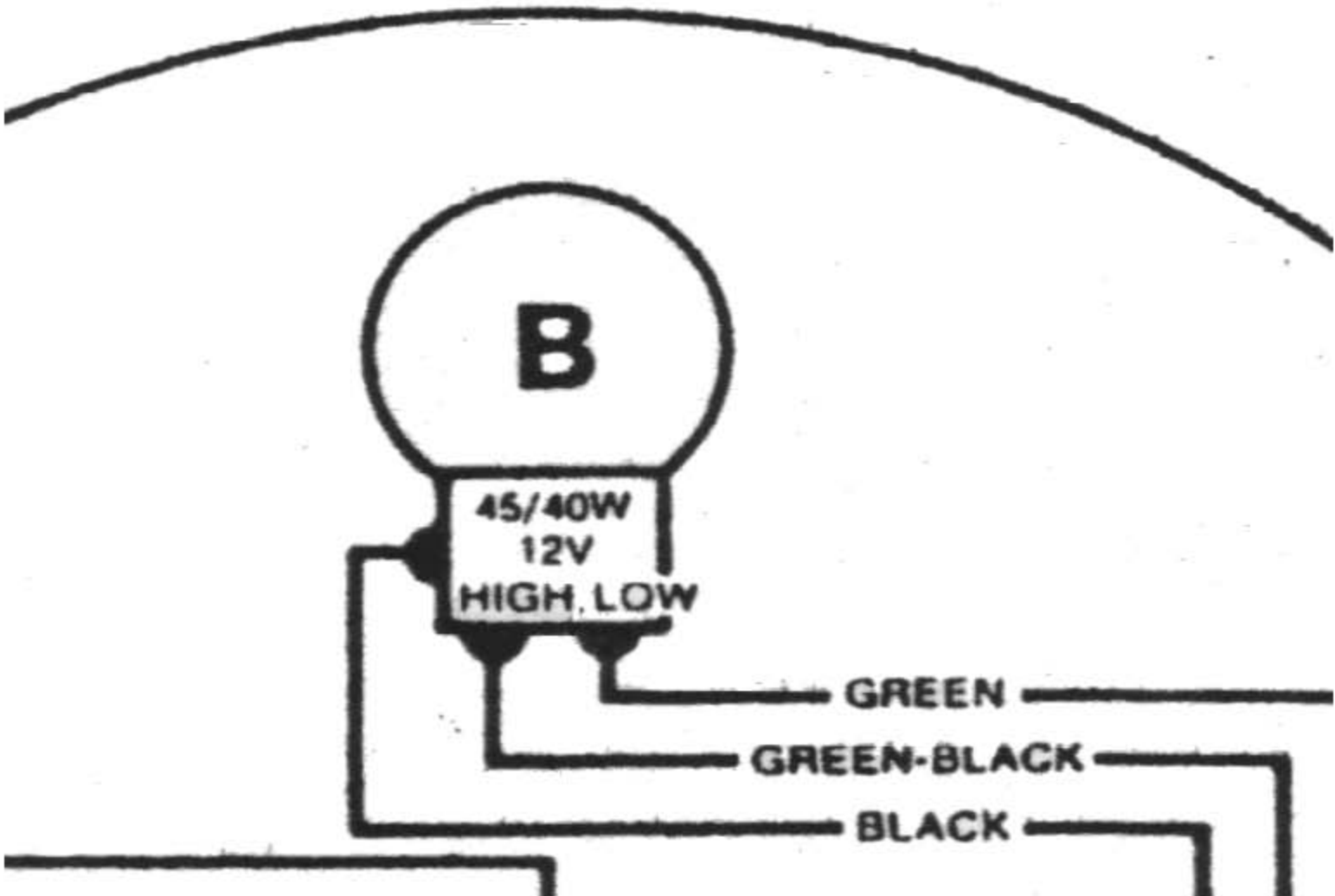
Note: Position 3 does not serve on machines with starter button.

Legend

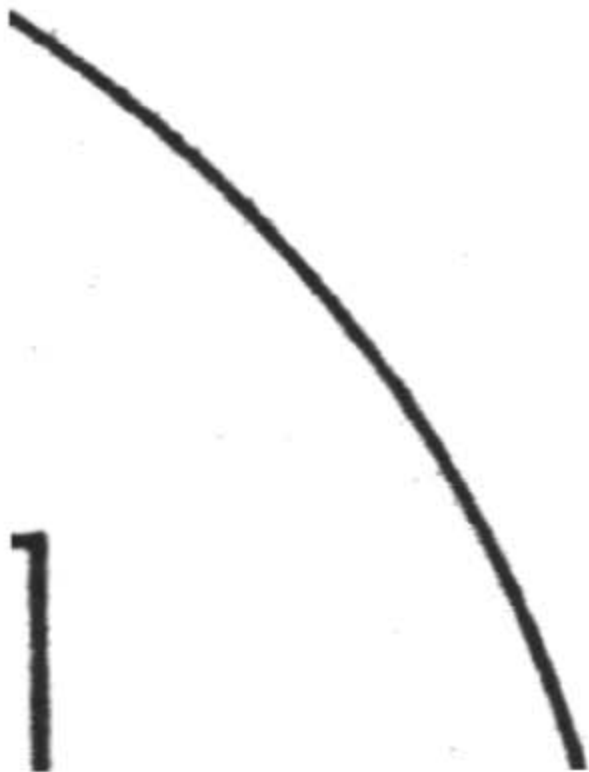
A	Headlight
B	Main driving lights
C	Terminal block with fuses
D	Distributing block
E	Light switch and horn button
F	Spark plugs
G	Distributor
H	Contact breaker
I	H.T. coil
L	Starter button
M	Horn
N	Neutral indicator cut-out
O	Stop light cut-out
P	Oil pressure cut-out
Q	Ignition switch
R	Number plate and tail light
S	Plate illumination and stop light
T	Generator
U	Regulator
V	Battery
Z	Starter motor solenoid
X	Starter motor
AA	Speedometer (with illumination bulb)
BB	Rev-counter (with illumination bulb)
CC	Lights indicator (red)
DD	Neutral indicator (orange)

EE	Generator charge indicator (red)
FF	Oil pressure indicator (red)
K	Relay for starter solenoid





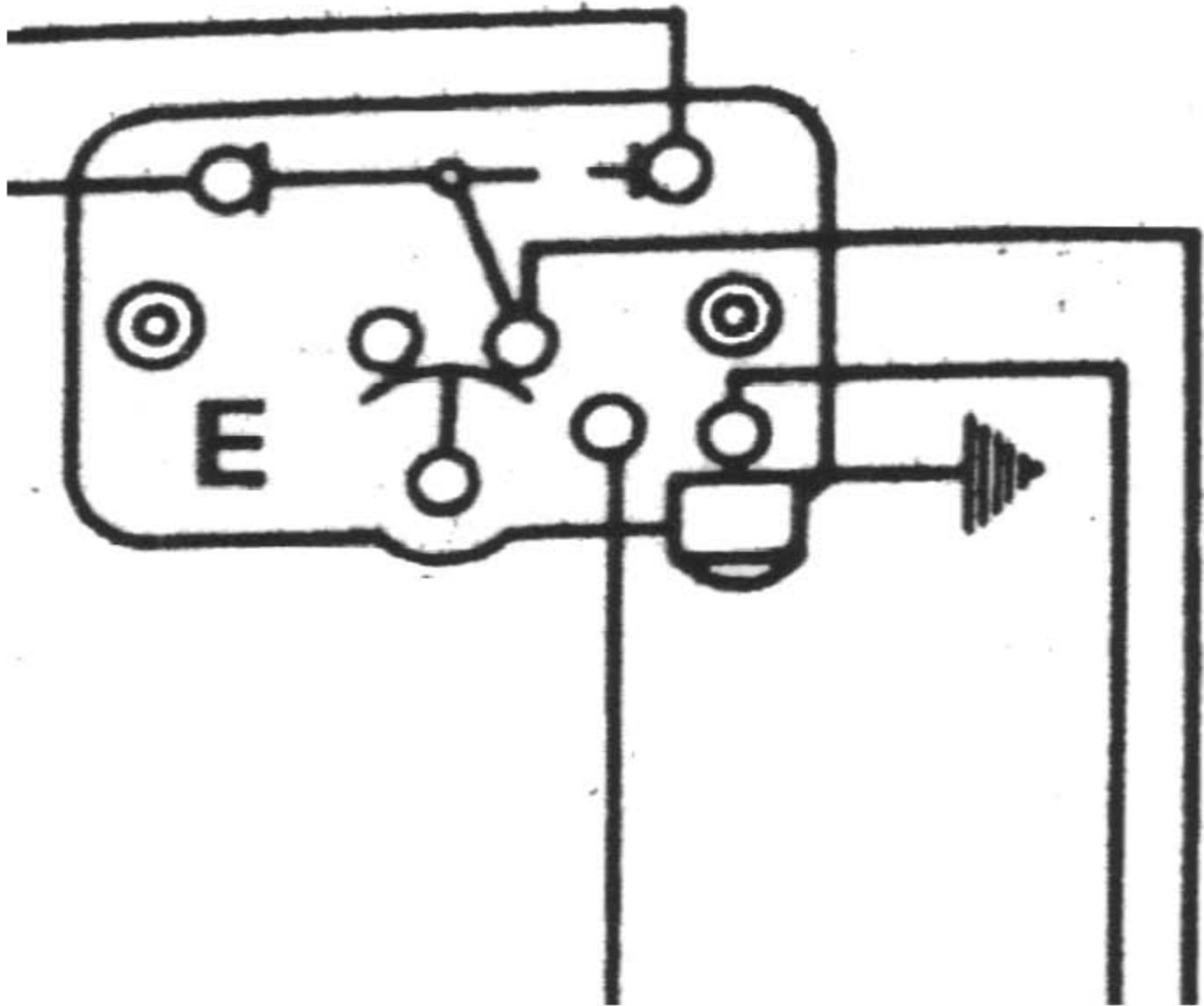
Grey & Re
Green & B
Green
Black
Brown

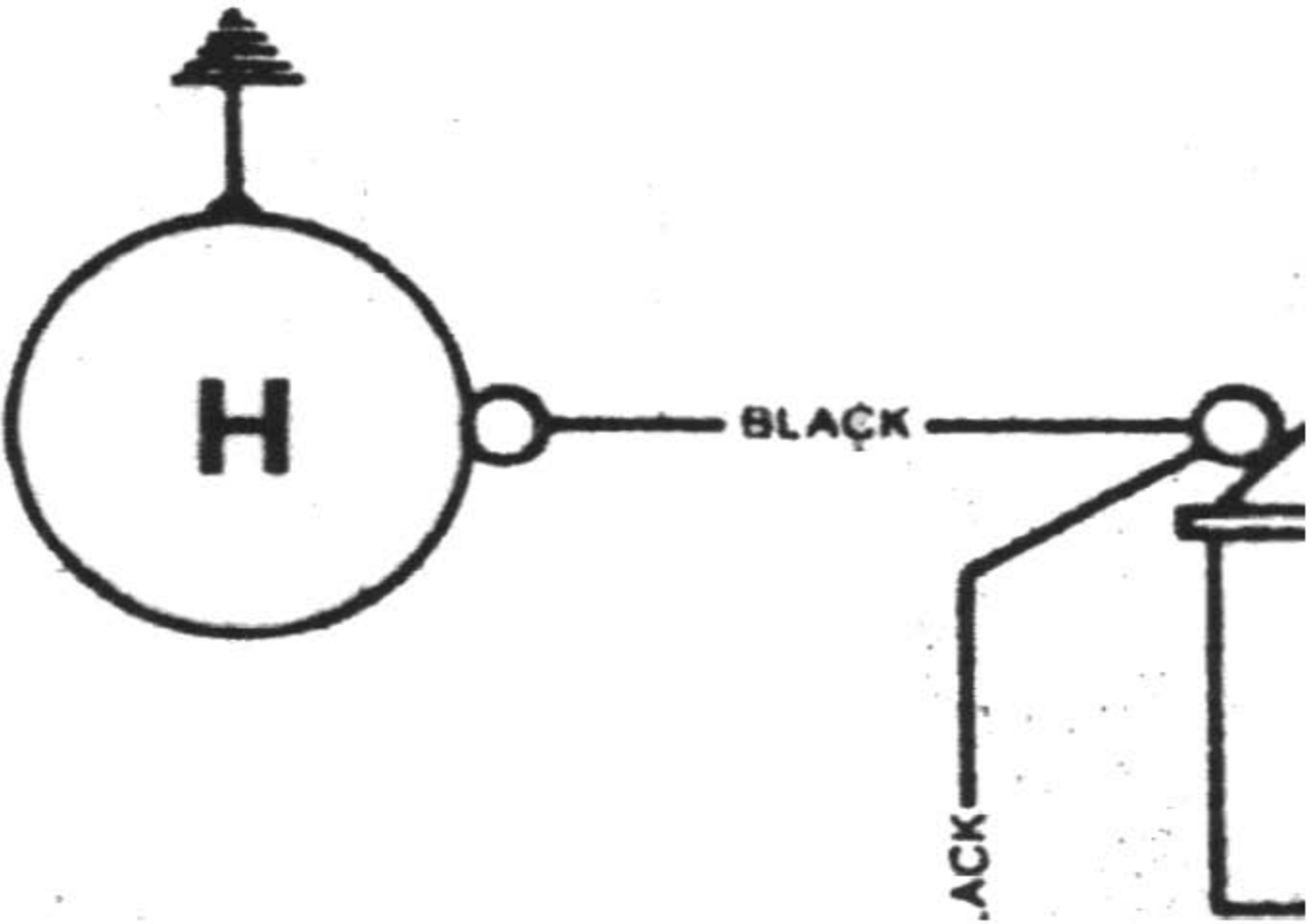


1



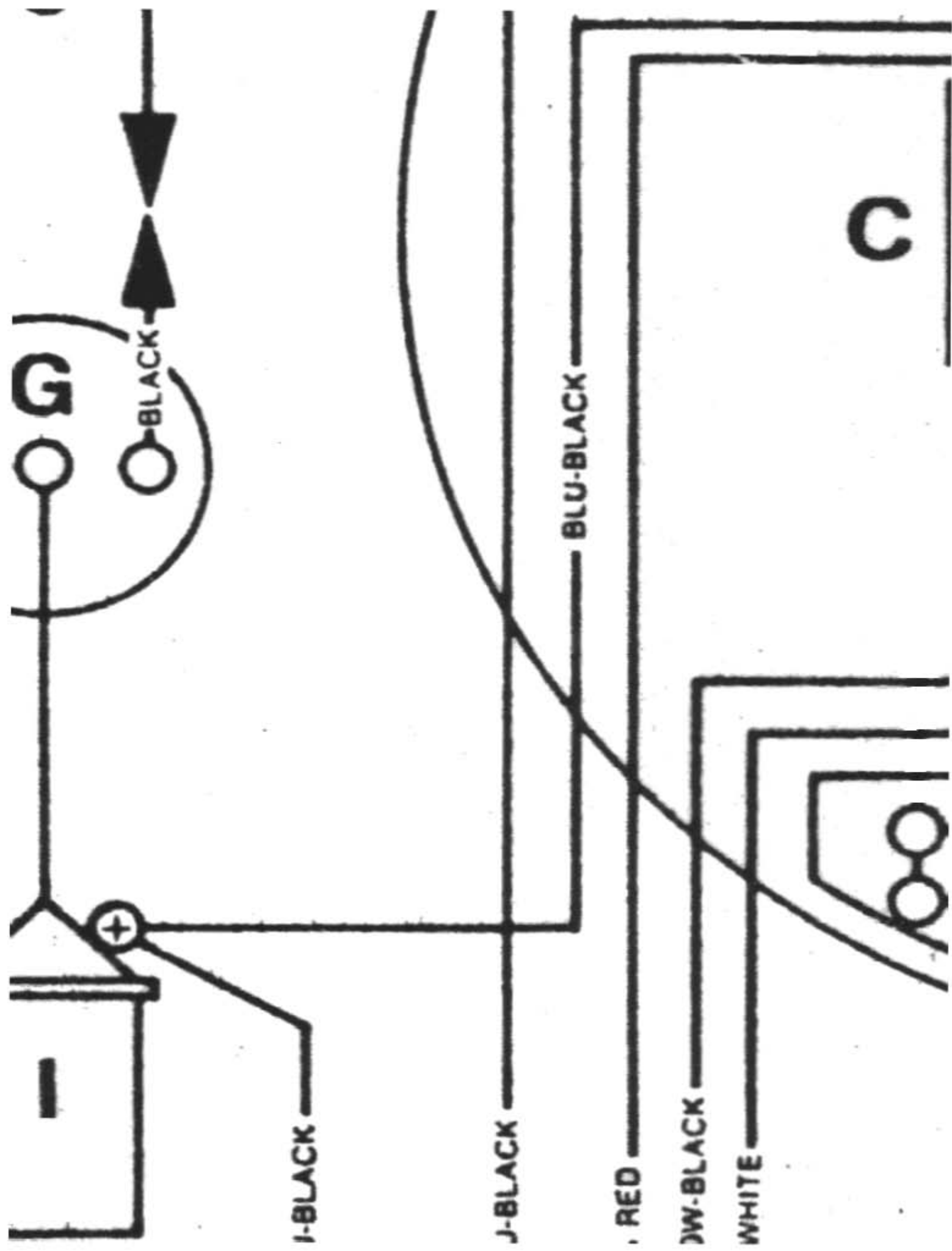
d = Lights
lack = High Beam
= Low Beam
= Horn
= Livewire

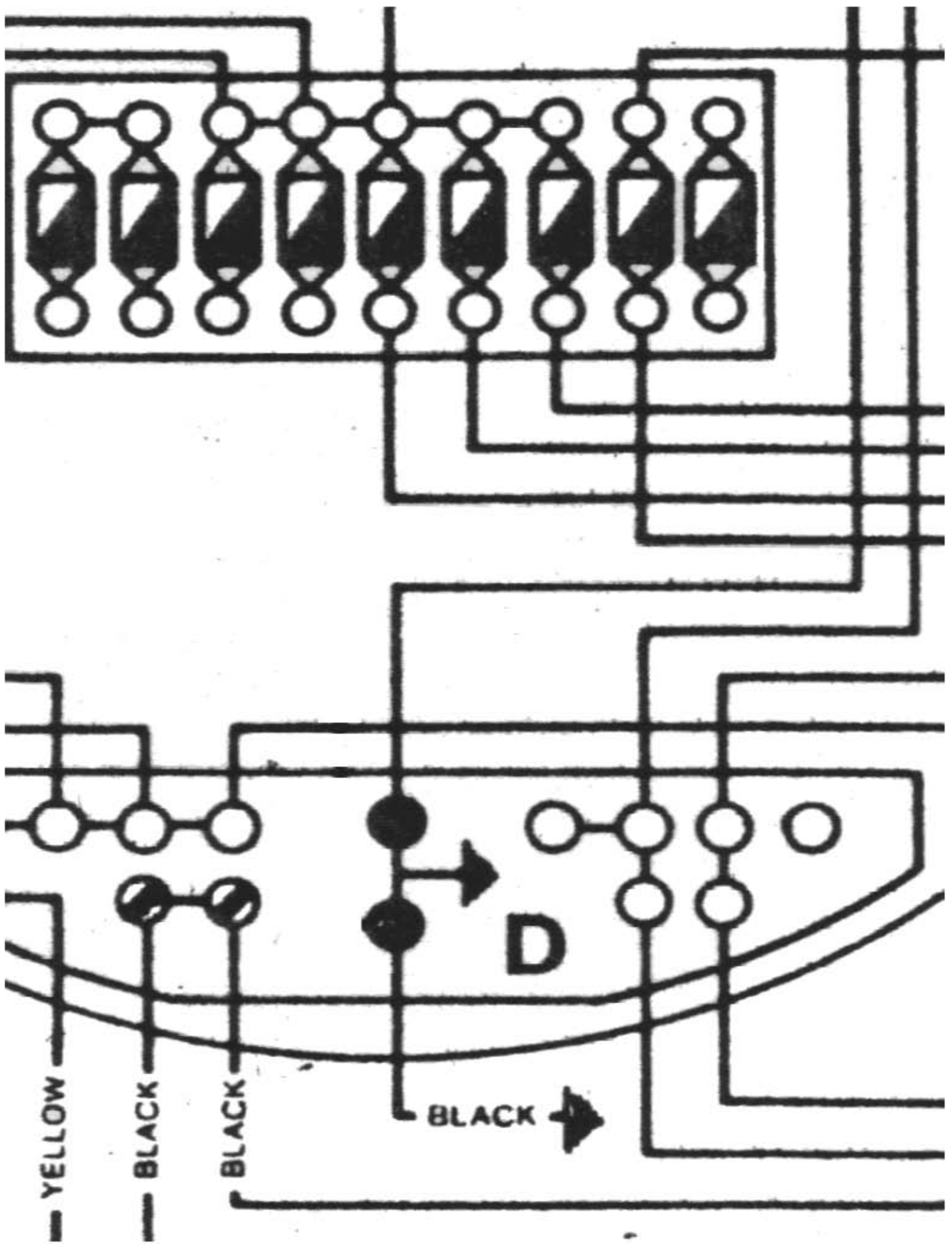


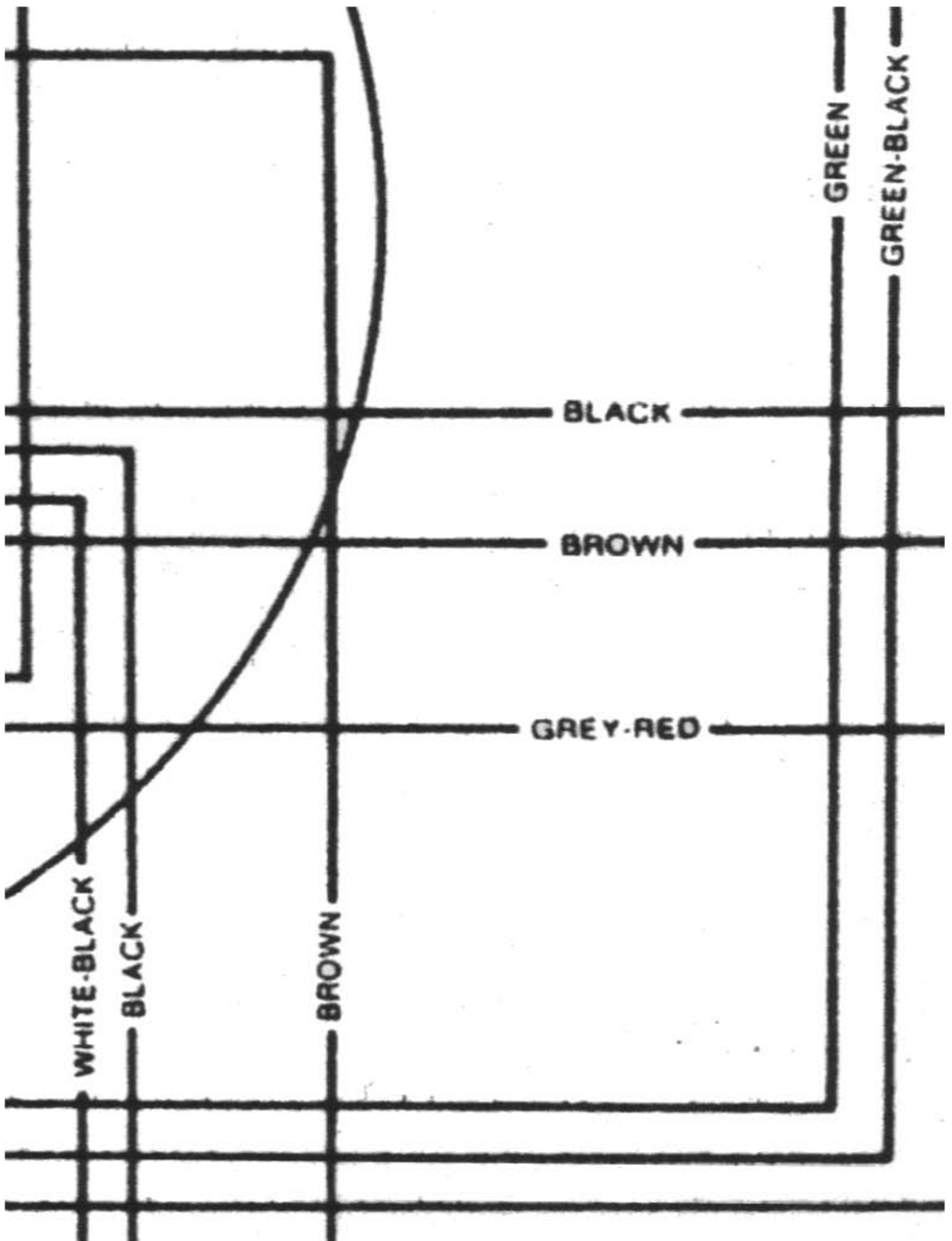


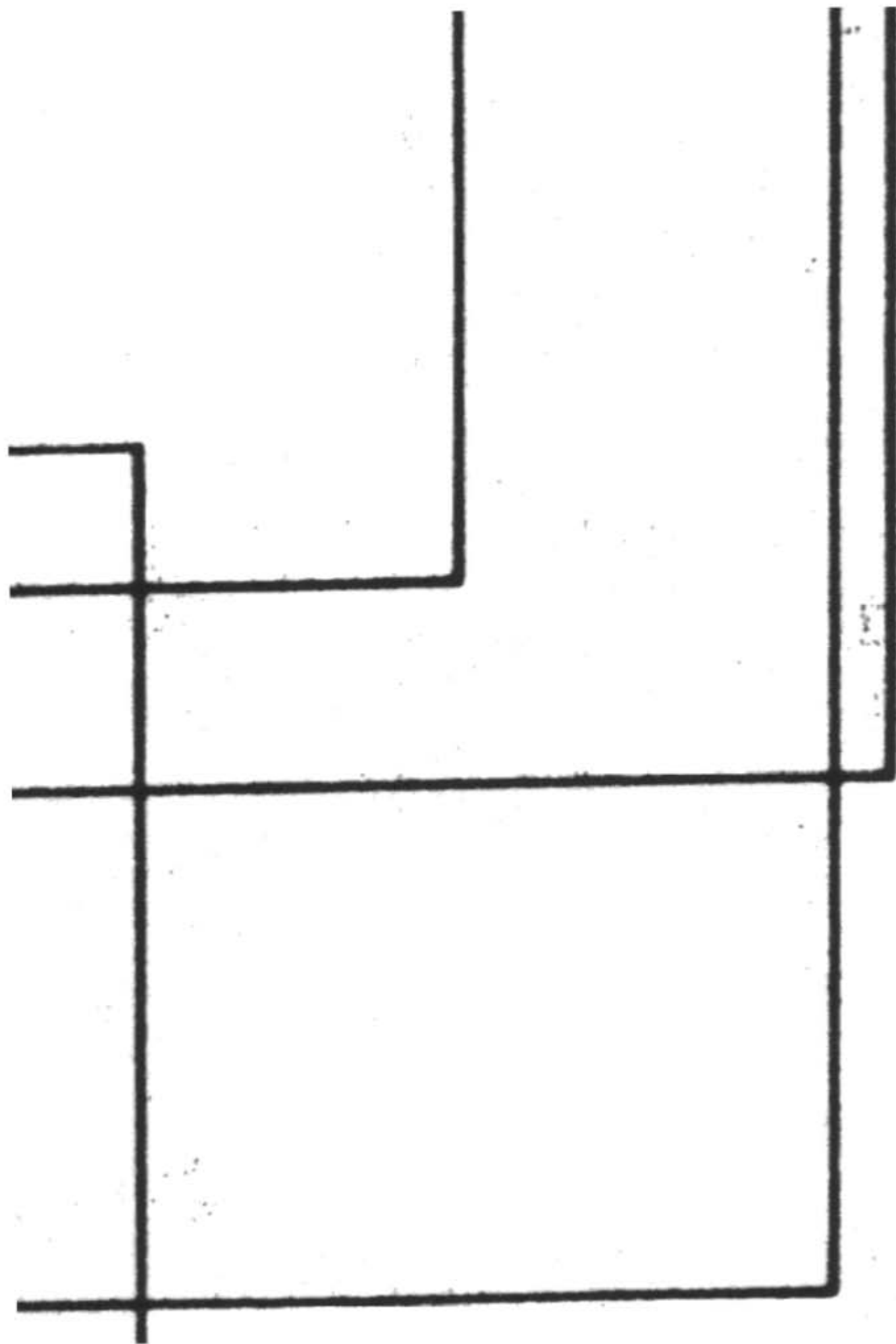
F









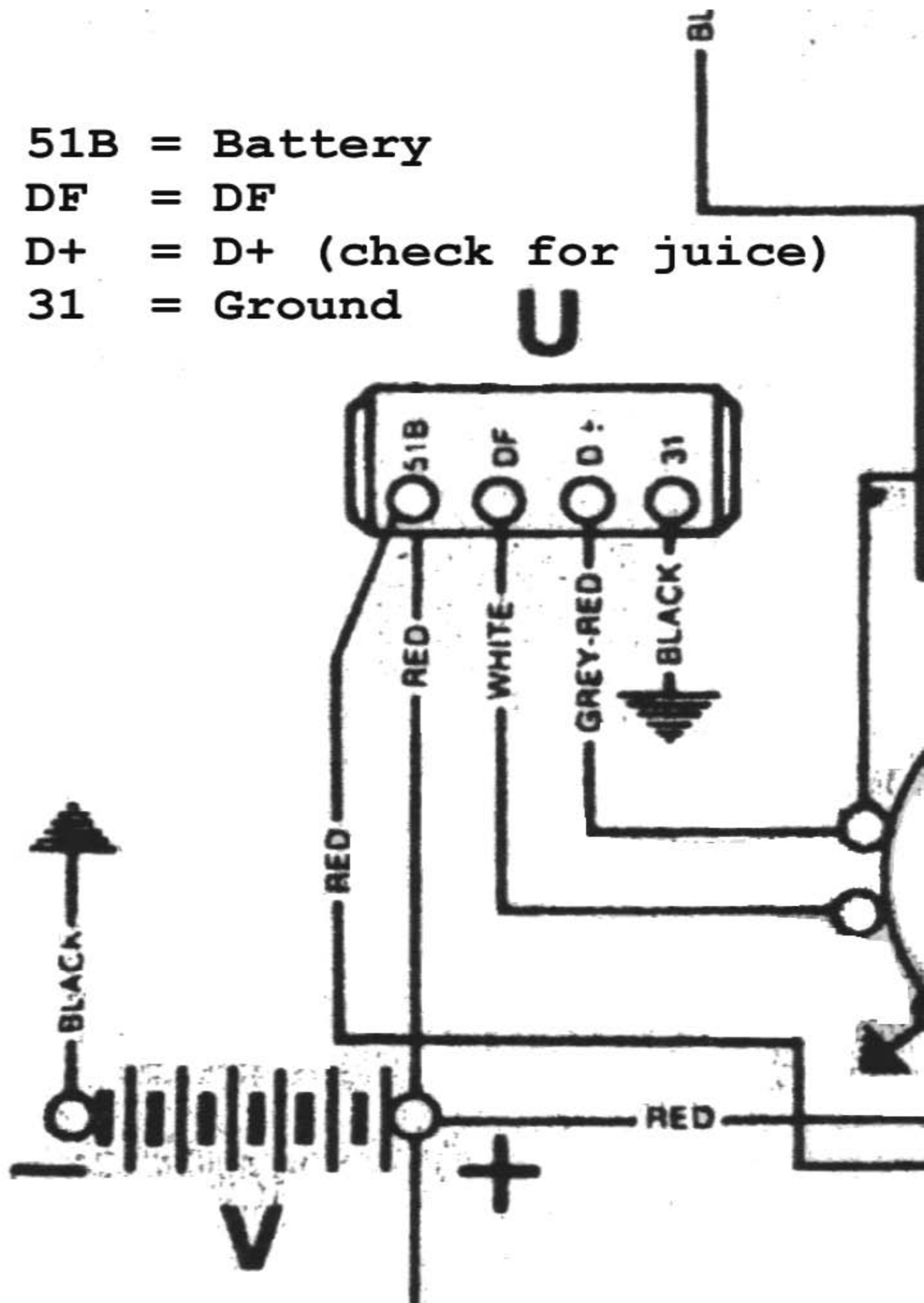


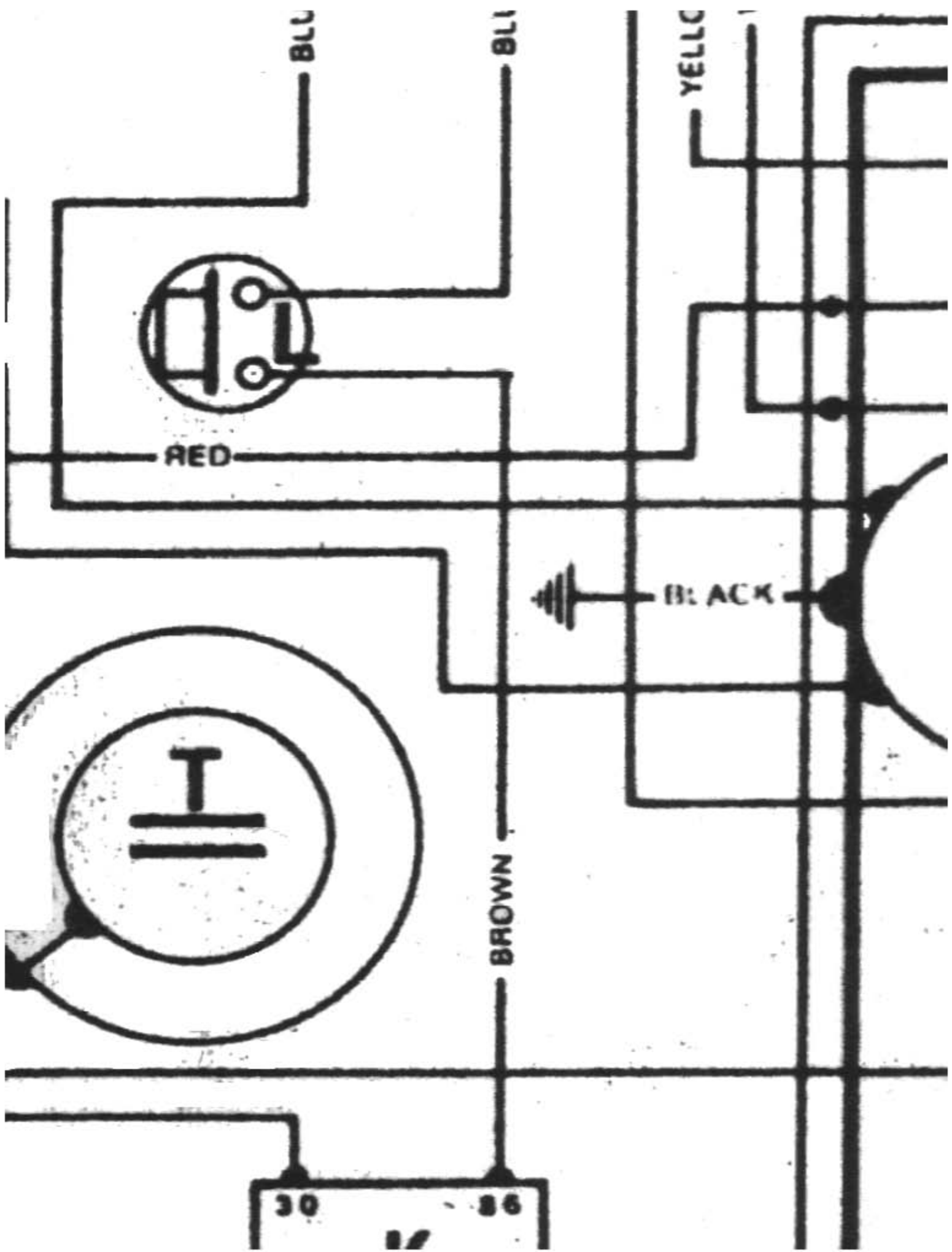
51B = Battery

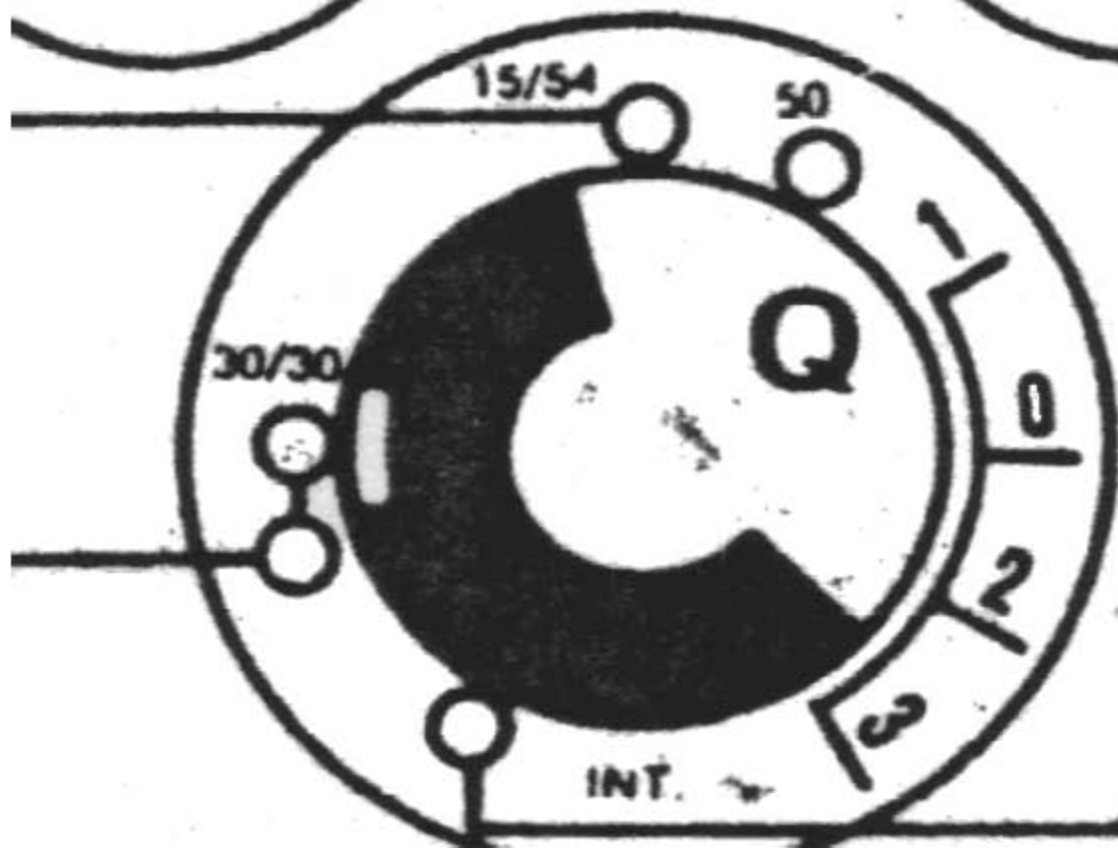
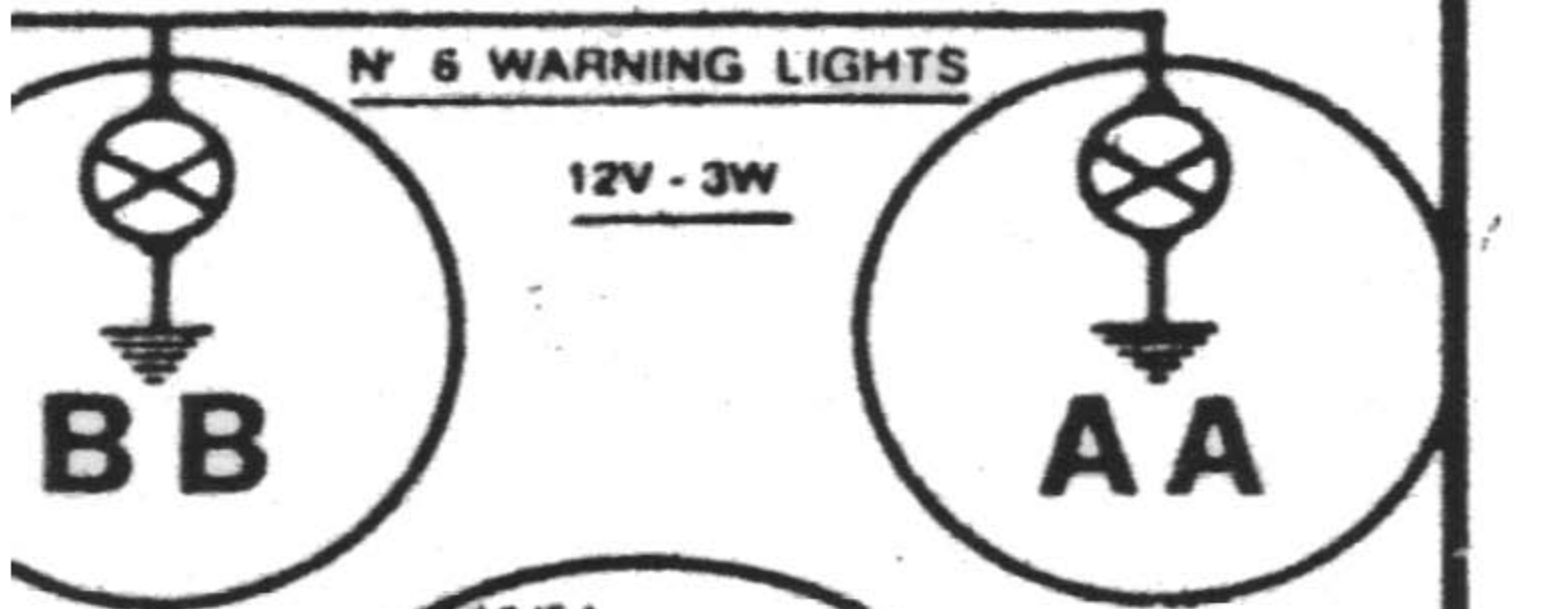
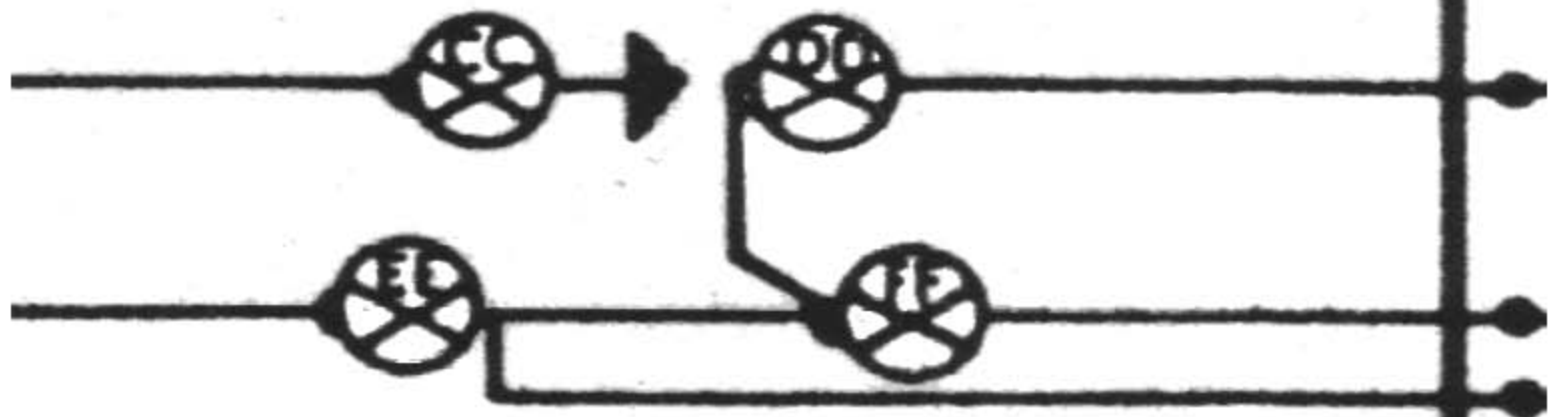
DF = DF

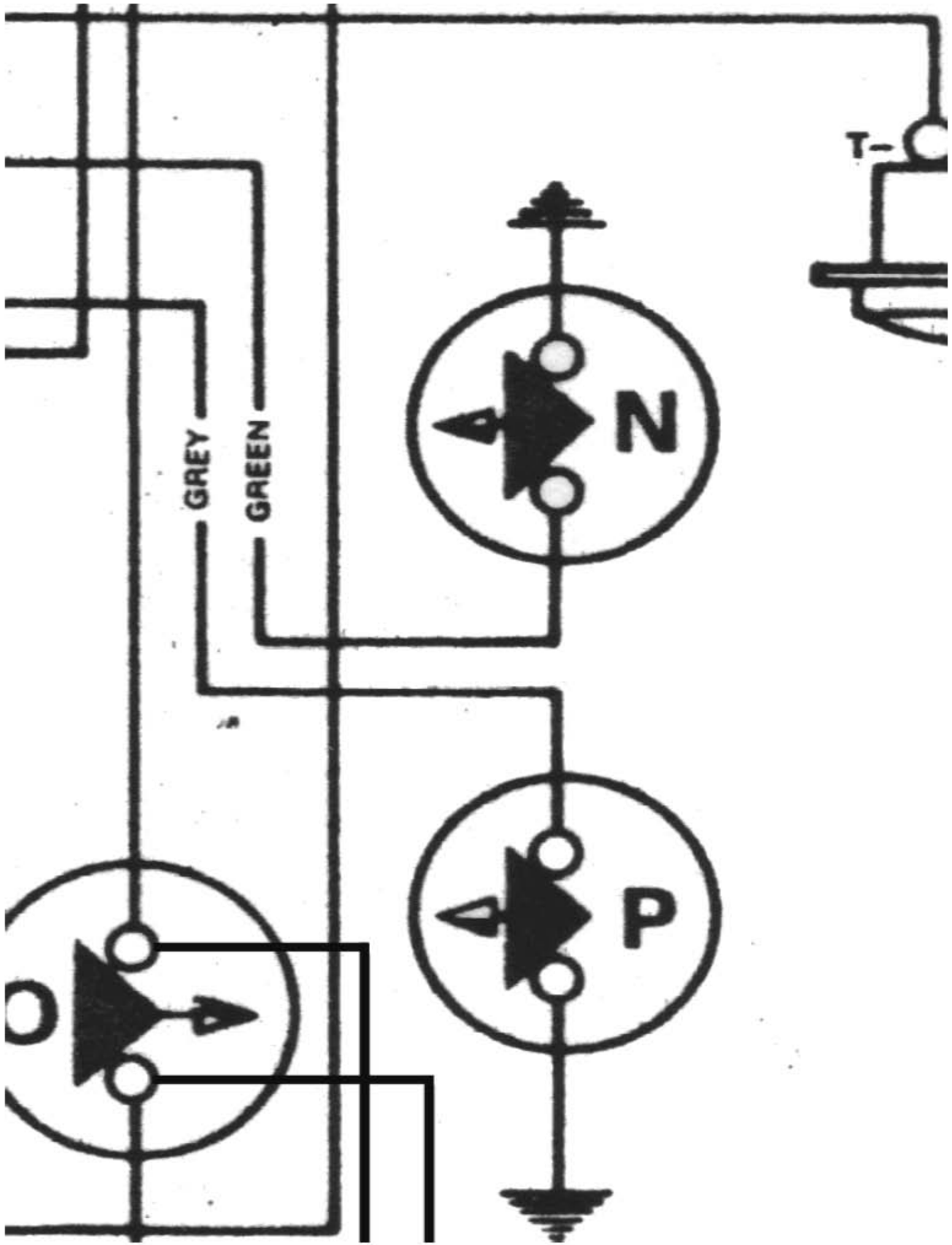
D+ = D+ (check for juice)

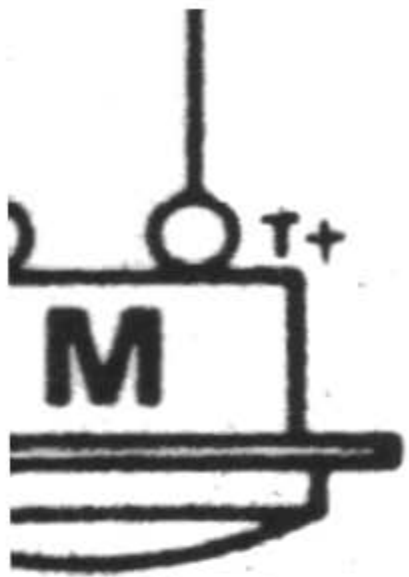
31 = Ground

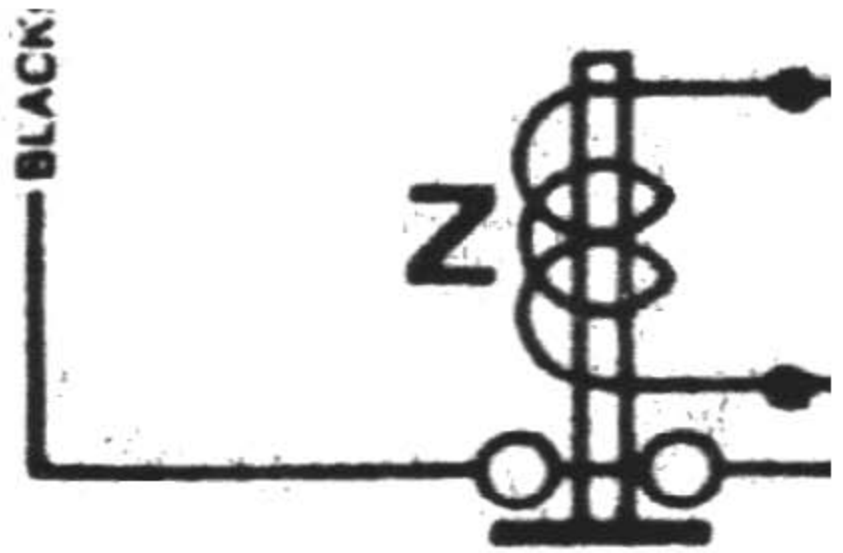




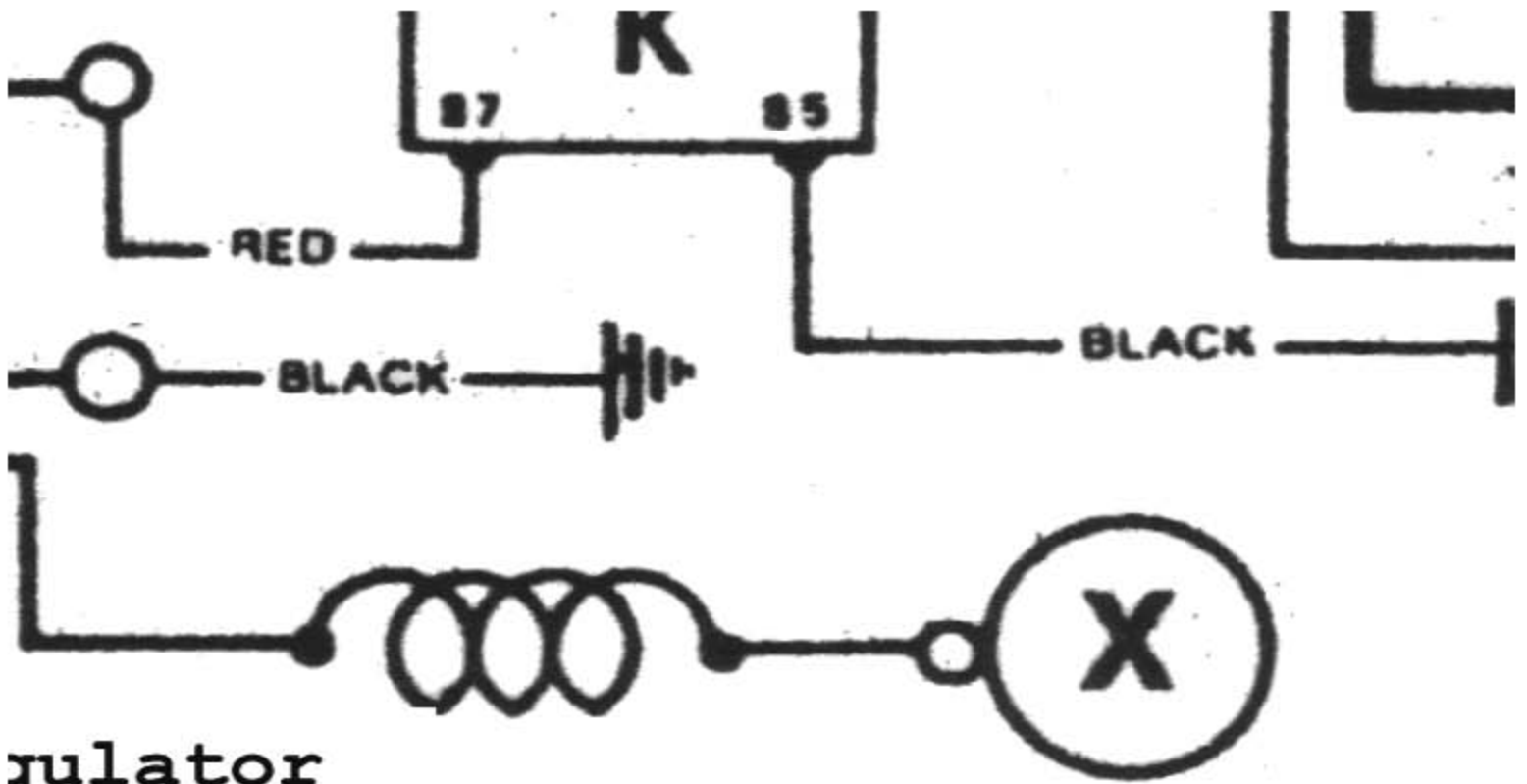








30 = 51B on req
86 = Starter bu
87 = Starter mc
85 = Ground



gulator
utton
otor solenoid

Wiring

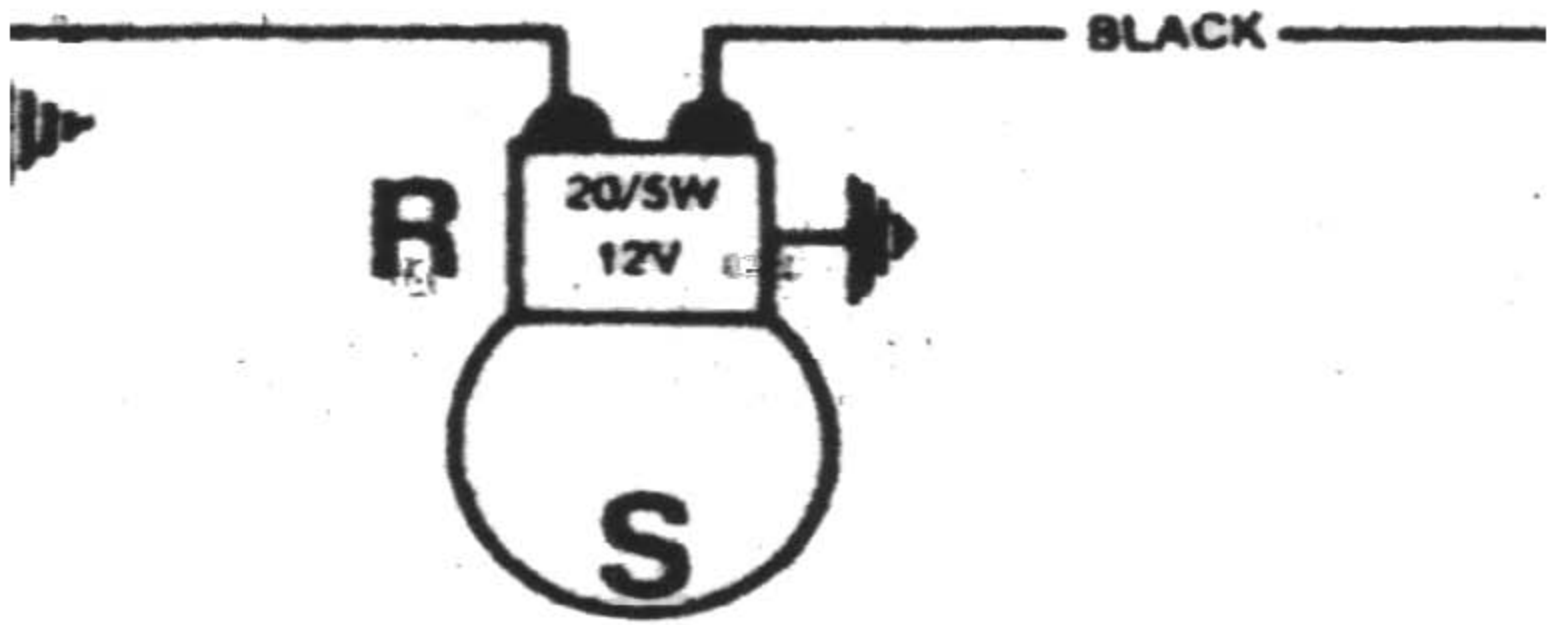
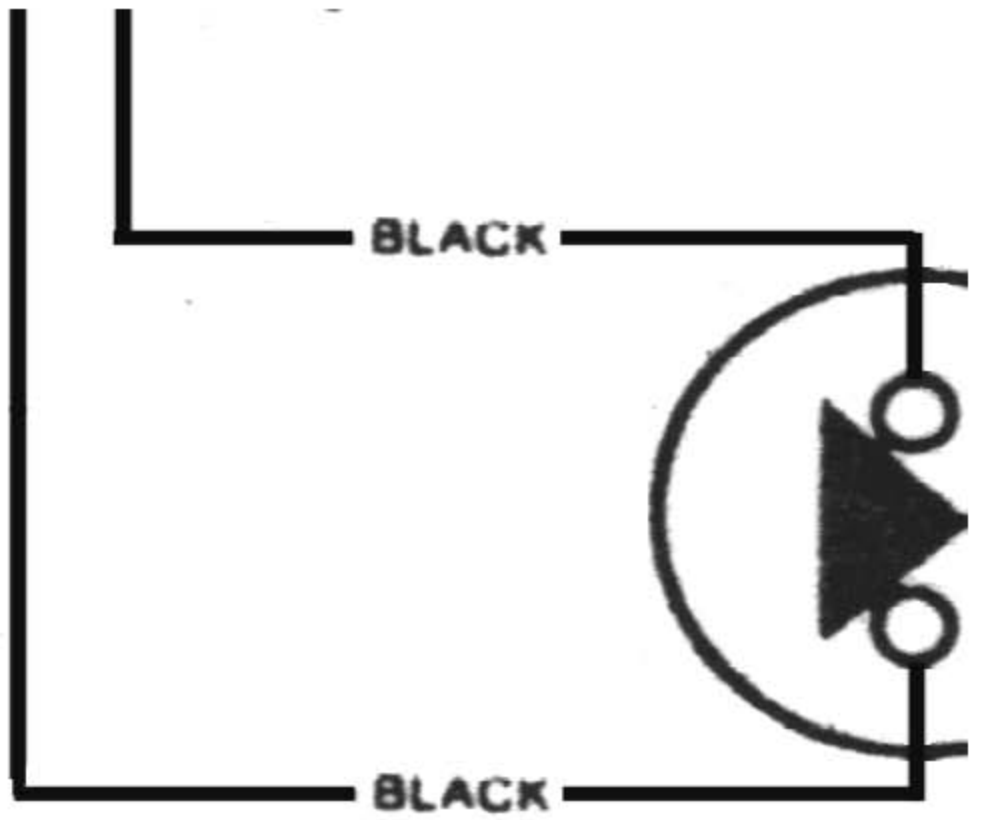


diagram (V750 USA n



model)

Front stop light
cut-out switch

