

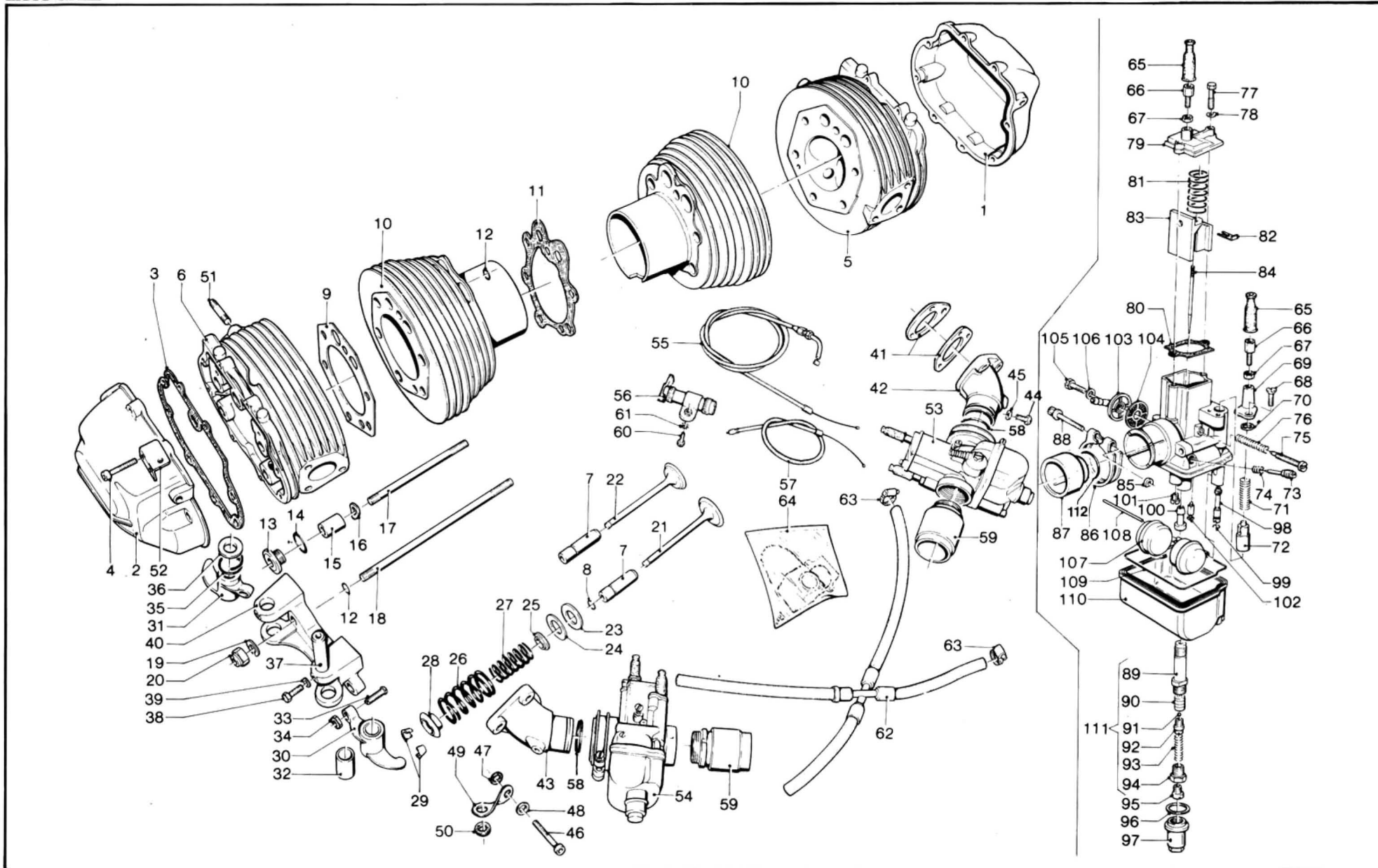
SEIMM

MOTO GUZZI

Le Mans CX100

Edizione aprile 1979

Cod. 14 92 00 85





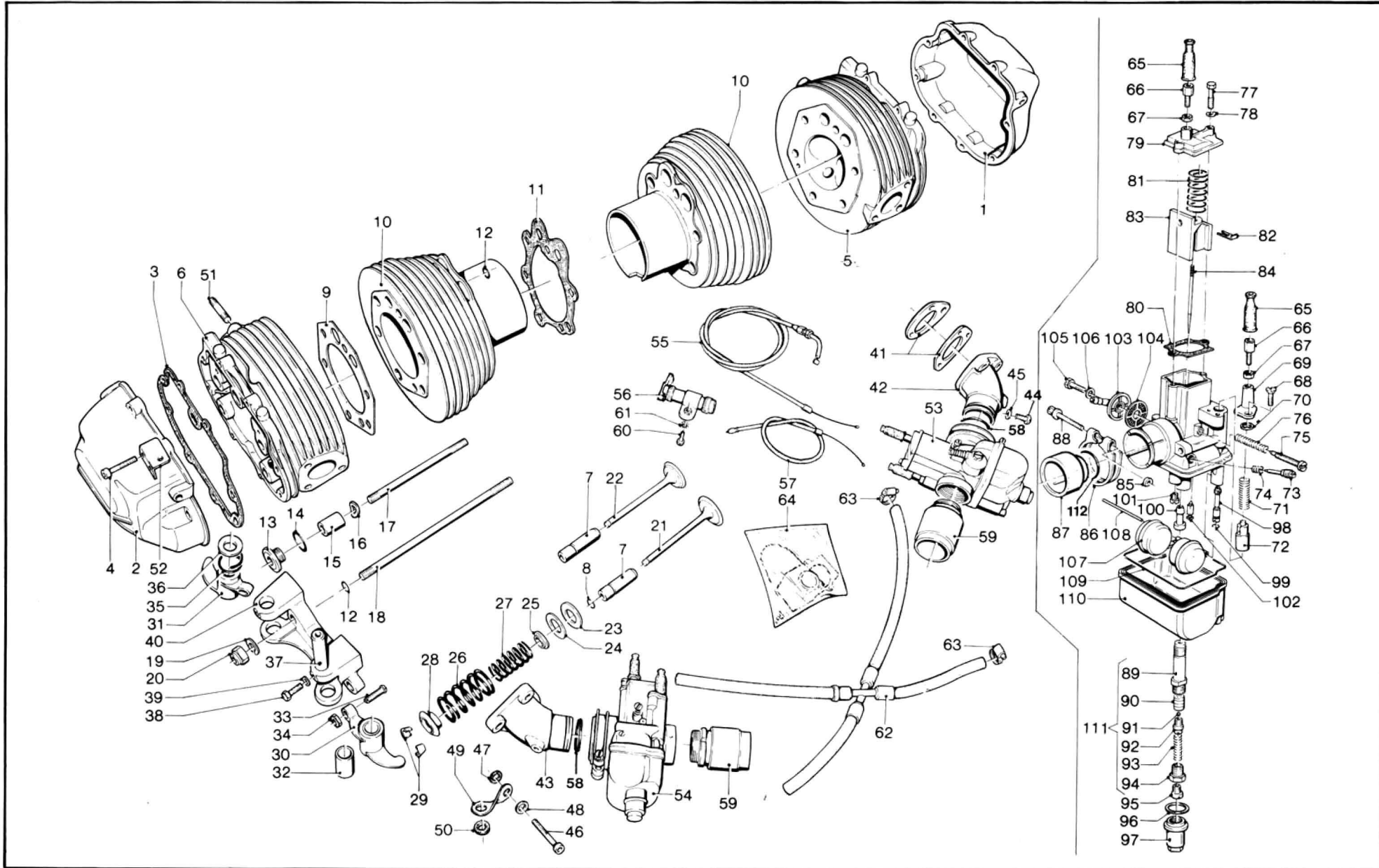
TESTA - CILINDRI - CARBURATORI
HEAD - CYLINDERS - CARBURETTORS
CULASSE - CYLINDRES - CARBURATEURS
KOPF - ZYLINDER - VERGASER


CX 100 LM

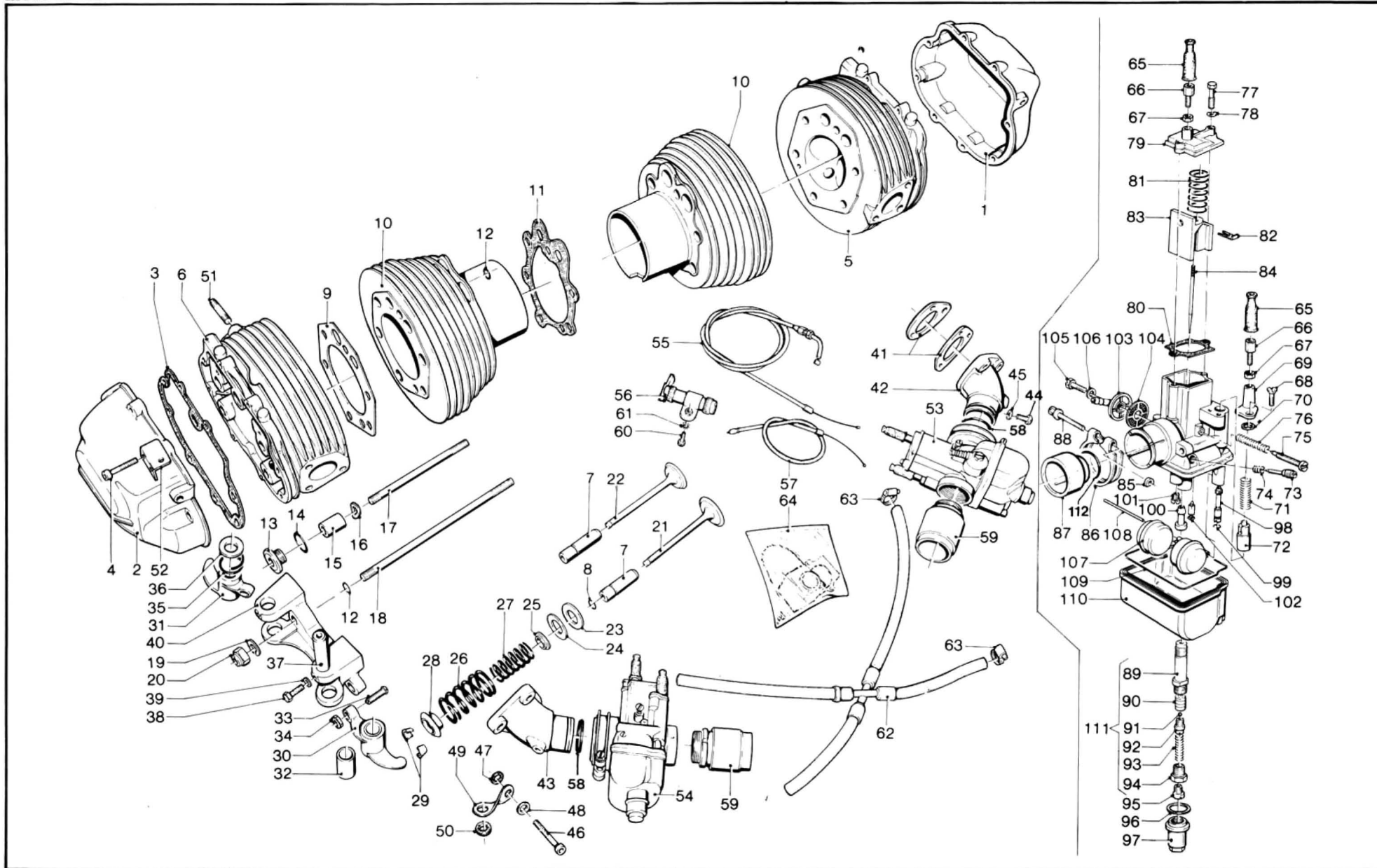
Tavola - Drawing
Table - Bild


1

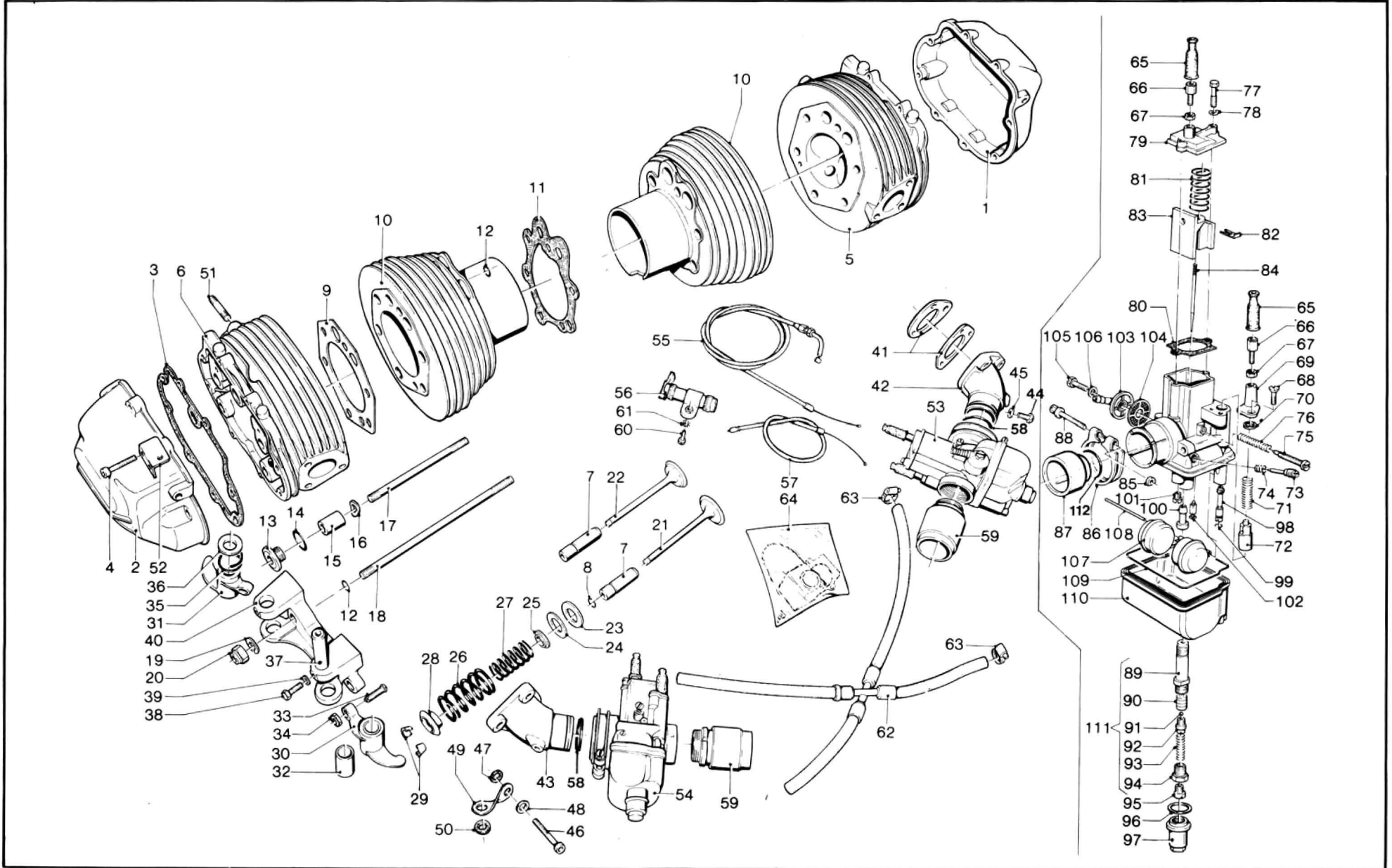
NOTE NOTES NOTES MARKE	POS. N.	N. COD. CODE No. No. CODE CODE Nr.	Q.tà Q.ty Q.té M.ge	DENOMINAZIONE	DESCRIPTION	DESIGNATION	BEZEICHNUNG
	1	14 02 36 50	1	Coperchio testa dx.	R.H. head cover	Couvercle culasse D	Zylinderkopfdeck. R.
	2	14 02 35 50	1	Coperchio testa sx.	L.H. head cover	Couvercle culasse G	Zylinderkopfdeck. L.
	3	12 02 37 00	2	Guarnizione	Gasket	Joint	Dichtung
	4	98 62 03 25	16	Vite coperchio teste	Screw	Vis	Schraube
	5	14 02 21 01	1	Testa dx.	R.H. head	Culasse D	Zylinderkopf, R.
	6	14 02 22 01	1	Testa sx.	L.H. head	Culasse G	Zylinderkopf, L.
	7	13 03 68 01	4	Guida valv. asp. e scar.	Valve guide	Guide de soupape	Ventilführung
	8	90 35 30 16	4	Anello elastico	Circlip	Jonc élastique	Sprengring
	9	18 02 20 50	2	Guarnizione	Gasket	Joint	Dichtung
	10	18 02 02 50	2	Cilindro	Cylinder	Cylindre	Zylinder
	11	14 02 08 50	2	Guarnizione	Gasket	Joint	Dichtung
	12	90 70 60 90	12	Anello di tenuta	Seal ring	Bague d'étanchéité	Dichtring
	13	12 02 26 00	2	Tappo testa	Head plug	Bouchon de culasse	Zylinderkopfstopfen
	14	90 70 62 03	2	Anello di tenuta	Seal ring	Bague d'étanchéité	Dichtring
	15	13 02 19 00	2	Dado	Nut	Ecrou	Mutter
	16	95 12 91 80	2	Rondella elastica	Spring washer	Rondelle élastique	Federring
	17	12 02 18 00	4	Tirante corto	Short tie bar	Tirant court	Kurze Tragstange
	18	12 02 17 00	8	Tirante lungo	Long tie bar	Tirant long	Lange Tragstange
	19	14 01 84 00	10	Rosetta elastica	Spring washer	Rondelle élastique	Federring
	20	92 60 20 10	10	Dado	Nut	Ecrou	Mutter
	21	13 03 60 00	2	Valvola aspirazione	Intake valve	Soupape d'admission	Einlassventil
	22	13 03 61 00	2	Valvola scarico	Exhaust valve	Soupape d'échappem.	Auslassventil
	23	13 03 72 00	4	Rosetta	Washer	Rondelle	Scheibe
	24	14 03 73 00	10	Rosetta di spessore	Flat washer	Rondelle plate	Ring
	25	13 03 70 00	4	Piattello inferiore	Lower cup	Coupelle inférieure	Untere Manschette
	26	13 03 74 00	4	Molla esterna	External spring	Ressort extérieur	Aussenfeder
	27	13 03 76 00	4	Molla interna	Internal spring	Ressort intér.	Innenfeder
	28	14 03 80 00	4	Piattello superiore	Upper cup	Coupelle supérieure	Obere Manschette
	29	12 03 81 00	8	Semicono per valvole	Valve half-cone	Demi-cône de soupape	Ventilhalbkegel
	30	14 03 02 00	2	Bilanciere dx. compl.	R.H. rocker arm, assy	Culbuteur D, complet	Kipphebel R. kpl.
	31	14 03 04 00	2	Bilanciere sx compl.	L.H. rocker arm, assy	Culbuteur G, complet	Kipphebel L. kpl.
	32	91 11 15 11	4	Boccola	Bush	Bague	Buchse




		TESTA - CILINDRI - CARBURATORI HEAD - CYLINDERS - CARBURETTORS CULASSE - CYLINDRES - CARBURATEURS KOPF - ZYLINDER - VERGASER			CX 100 LM Tavola - Drawing 1 Table - Bild		
NOTE NOTES NOTES MARKE	POS. N.	N. COD. CODE No. No. CODE CODE Nr.	Q.tà Q.ty Q.té M.ge	DENOMINAZIONE	DESCRIPTION	DESIGNATION	BEZEICHNUNG
	33	17 03 40 50	4	Vite registro	Adjusting screw	Vis de réglage	Einstellschraube
	34	10 03 41 00	4	Dado	Nut	Ecrou	Mutter
	35	94 32 22 15	4	Molla per bilancieri	Rocker arm spring	Ressort pour culbuteur	Kipphebelfeder
	36	90 11 81 52	4	Rosetta di spessore	Shim	Rondelle d'épaisseur	Pass-Scheibe
	37	12 03 18 00	4	Perno per bilancieri	Rocker pin	Pivot pour culbuteurs	Lagerbolzen
	38	98 05 43 14	4	Vite	Screw	Vis	Schraube
	39	95 12 00 65	4	Rosetta elastica	Spring washer	Rondelle élastique	Federring
	40	12 03 48 00	2	Sopporto bilancieri	Rocker support	Support culbuteurs	Kupfhebelstütze
	41	14 11 55 00	4	Guarnizione isolante	Isolating flange	Flasque isolante	Isolierflansch
	42	17 11 50 65	1	Pipa aspirazione dx	R.H. manifold	Pipe D	Ansaugkrümmer, R.
	43	17 11 50 66	1	Pipa aspirazione sx	L.H. manifold	Pipe G	Ansaugkrümmer, L.
	44	98 34 60 10	2	Vite	Screw	Vis	Schraube
	45	95 10 01 16	2	Rosetta	Washer	Rondelle	Scheibe
	46	98 62 04 35	6	Vite	Screw	Vis	Schraube
	47	90 71 60 83	6	Rosetta isolante	Isolating washer	Rondelle isolante	Isolierscheibe
	48	95 00 42 08	6	Rosetta	Washer	Rondelle	Scheibe
	49	14 11 54 00	2	Piastrina	Bracket	Plaquette	Stütze
	50	91 55 10 81	2	Gommino	Rubber grommet	Douille caoutchouc	Gummi
	51	96 50 80 42	4	Prigioniero	Stud	Goujon	Stiftschraube
	52	17 13 56 50	1	Mensola disp. starter	Bracket	Support	Stütze
	53	17 11 26 65	1	Carburatore dx	R.H. carburetor	Carburateur D	Vergaser, R.
	54	17 11 26 66	1	Carburatore sx	L.H. carburetor	Carburateur G	Vergaser, L.
	55	14 11 75 55	2	Trasm. comando gas	Twist-grip cable	Câble comm. gaz	Gasgriffkabel
	56	17 13 31 50	1	Comando starter	Starter device	Commandé de starter	Starterbetätigung
	57	14 13 35 50	2	Trasm. com. starter	Starter cable	Câble du starter	Starterseilzug
	58	90 70 63 32	2	Anello tenuta	Seal ring	Bague d'étanchéité	Dichtring
	59	17 11 44 50	2	Cornetto per carbur.	Air funnel	Buse	Ansaugtrichter
	60	98 05 42 10	1	Vite	Screw	Vis	Schraube
	61	95 02 11 05	1	Rosetta dentellata	Tooth washer	Rondelle dentée	Zahnscheibe
	62	17 10 65 50	1	Tubazione carb. com.	Piping, complete	Canalisation complète	Rohrverbindung, kpl.
	63	61 10 84 00	4	Fascetta	Hose clamp	Collier	Schlauchbinder
	64	17 93 99 50	1	Gruppo revis. carbur.	Carb. overhauling kit	Kit de révis. du carb.	Verg. Reparatursatz



		TESTA - CILINDRI - CARBURATORI HEAD - CYLINDERS - CARBURETTORS CULASSE - CYLINDRES - CARBURATEURS KOPF - ZYLINDER - VERGASER			CX 100 LM Tavola - Drawing Table - Bild 1		
		NOTE NOTES NOTES MARKE	POS. N.	N. COD. CODE No. No. CODE CODE Nr.			
*	65		2	Cappuccio	Cap	Chapeau	Schutzkappe
	66	12 93 72 00	2	Vite tendifilo	Adjusting screw	Vis de réglage	Stellschraube
	67	12 93 73 00	2	Dado	Nut	Ecrou	Mutter
	68	13 93 79 00	1	Vite	Screw	Vis	Schraube
	69	17 93 74 50	1	Coperchio starter	Cover	Couvercle	Deckel
*	70		1	Guarnizione	Gasket	Joint	Dichtung
	71	13 93 76 00	1	Molla	Spring	Ressort	Feder
	72	13 93 78 00	1	Valvola avviamento	Starter valve	Soupape de starter	Starterventil
	73	17 93 62 60	1	Vite reg. miscela min.	Idling adjusting screw	Vis régl. de mélange ral.	Gemischregulierschr.
	74	13 93 63 00	1	Molla	Spring	Ressort	Feder
	75	13 93 66 00	1	Vite reg. valvola gas	Throttle adjust. screw	Vis réglage de papillon	Drosselklappe
	76	13 93 67 00	1	Molla	Spring	Ressort	Feder
	77	13 93 28 00	2	Vite	Screw	Vis.	Schraube
	78	13 93 29 00	2	Rondella elastica	Spring washer	Rondelle élastique	Federring
	79	13 93 50 00	1	Coperchio valvola gas	Cover	Couvercle	Deckel
*	80		1	Guarnizione	Gasket	Joint	Dichtung
	81	13 93 71 00	1	Molla	Spring	Ressort	Feder
	82	55 93 85 85	1	Fermaglio spillo con.	Circlip	Support	Halter
	83	17 93 75 60	1	Valvola gas	Throttle valve	Papillon de gaz	Drosselklappe
	84	14 93 77 01	1	Spillo conico tipo V	Needle	Aiguille	Nadel
	85	14 93 68 00	1	Piastrina	Threaded plate	Plaque fileté	Gewindeplättchen.
	86	14 93 87 00	1	Anello serraggio	Ring	Bague	Ring
	87	17 93 89 60	1	Riduzione isolante	Insulating bush	Réduction isolante	Isolieruntersetzung
	88	14 93 86 00	1	Vite	Screw	Vis	Schraube
	89	17 93 89 00	1	Corpo pompa	Pump body	Corps de pompe	Pumpegehäuse
	90	17 93 90 00	1	Pistoncino pompa	Pump plunger	Plongeur de pompe	Pumpenkolben
	91	17 93 91 00	1	Valvola a sfera	Ball valve	Clapet à bille	Kugelventil
	92	17 93 92 00	1	Sede valvola	Valve seat	Siège de soupape	Ventilsitz
	93	17 93 93 00	1	Molla	Spring	Ressort	Feder
	94	17 93 94 00	1	Tappo getto	Jet holder	Porte gicleur	Düsenträger
	95	18 93 57 50	1	Getto massimo	Main jet	Gicleur principal	Hauptdüse
*	96		1	Guarnizione	Gasket	Joint	Dichtung



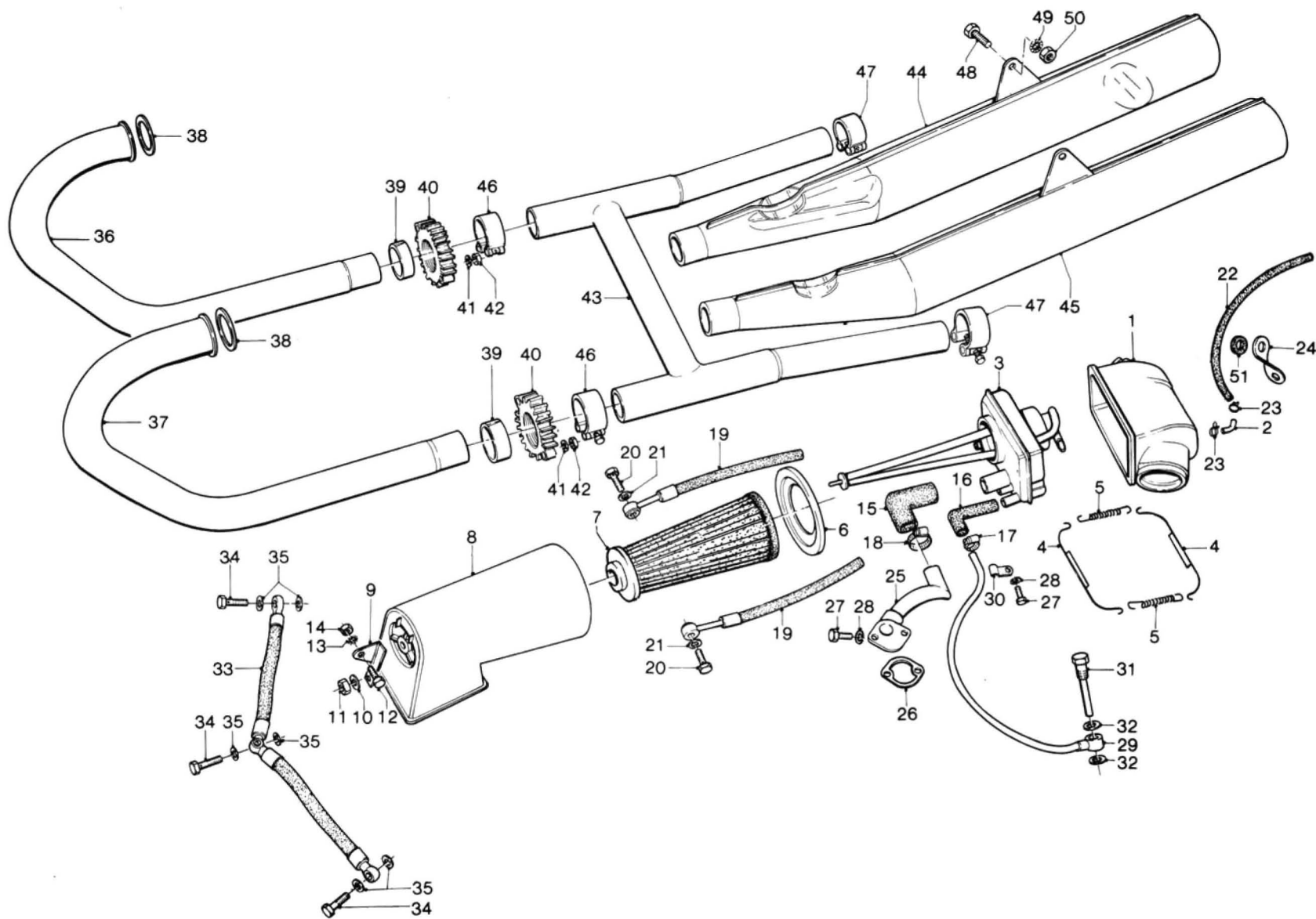
		TESTA - CILINDRI - CARBURATORI HEAD - CYLINDERS - CARBURETTORS CULASSE - CYLINDRES - CARBURATEURS KOPF - ZYLINDER - VERGASER						CX 100 LM	
				Tavola - Drawing Table - Bild				1	
NOTE NOTES NOTES MARKE	POS. N.	N. COD. CODE No. No. CODE CODE Nr.	Q.tà Q.ty Q.té M.ge	DENOMINAZIONE	DESCRIPTION	DESIGNATION	BEZEICHNUNG		
	97	13 93 37 00	1	Tappo per vaschetta	Plug	Bouchon	Stopfen		
	98	13 93 60 00	1	Getto avviamento	Starting jet	Gicleur de starter	Starterdüse		
*	99		1	Guarnizione	Gasket	Joint	Dichtung		
	100	13 93 55 00	1	Polverizzatore	Atomizer	Pulvérisateur	Zerstäuber		
	101	10 93 59 00	1	Getto minimo	Pilot jet	Gicleur de ralenti	Leerlaufdüse		
	102	13 93 48 00	1	Spillo chiusura	Needle valve	Pointeau	Nadelventil		
*	103	13 93 46 00	1	Pipetta raccordo	Adaptor	Raccord	Adapter		
	104		1	Filtro benzina	Filter	Tamis	Sieb		
	105	13 93 49 00	1	Vite	Screw	Vis	Schraube		
	106	13 93 47 00	1	Guarnizione	Gasket	Joint	Dichtung		
	107	14 93 30 00	1	Galleggiante	Float	Flotteur	Schwimmer		
	108	13 93 31 00	1	Perno galleggiante	Float pin	Axe de flotteur	Schwimmerachse		
*	109		1	Guarnizione	Gasket	Joint	Dichtung		
	110	13 93 44 00	1	Vaschetta	Float chamber	Cuve à niveau	Schwimmergehäuse		
	111	14 93 88 00	1	Pompa alimentaz. com.	Fuel pump, compl.	Pompe à essence, comp.	Kraftstoffpumpe, kpl.		
	112	17 93 95 60	1	Anello di tenuta riduz. isolante carburatore	Seal ring	Bague d'étanchéité	Dichtring		

(*) I particolari contrassegnati con (*) sono componenti del "Gruppo revisione carburatori"

Items marked with (*) belong to "Carburetors kit".

Les pièces marquées avec (*) composent le "Kit de carburateurs".

Die mit (*) gezeichneten Teile gehören dem "Vergaser - Rep. Satz".





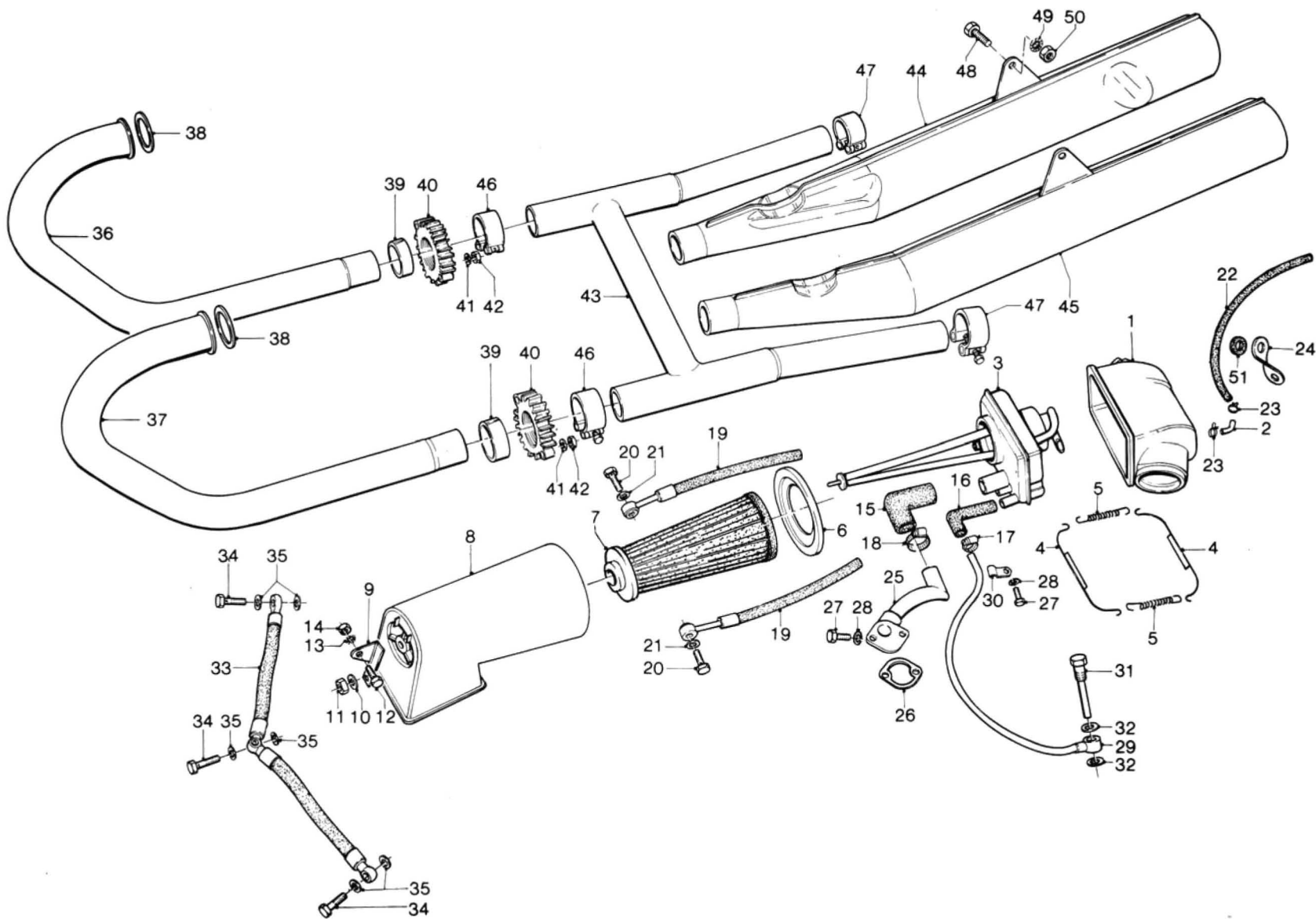
FILTRO ARIA - SFIATO - TUBI SCARICO - SILENZIATORE
AIR FILTER - BREATHER - EXHAUST PIPE - SILENCER
FILTER A AIR - RENIFLARD TUYAU D'ÉCHAPPEMENT - SILENC.
LUFTFILTER - ENTLÜFTER - AUSPUFFROHR - SCHALLDÄMPFER


CX 100 LM

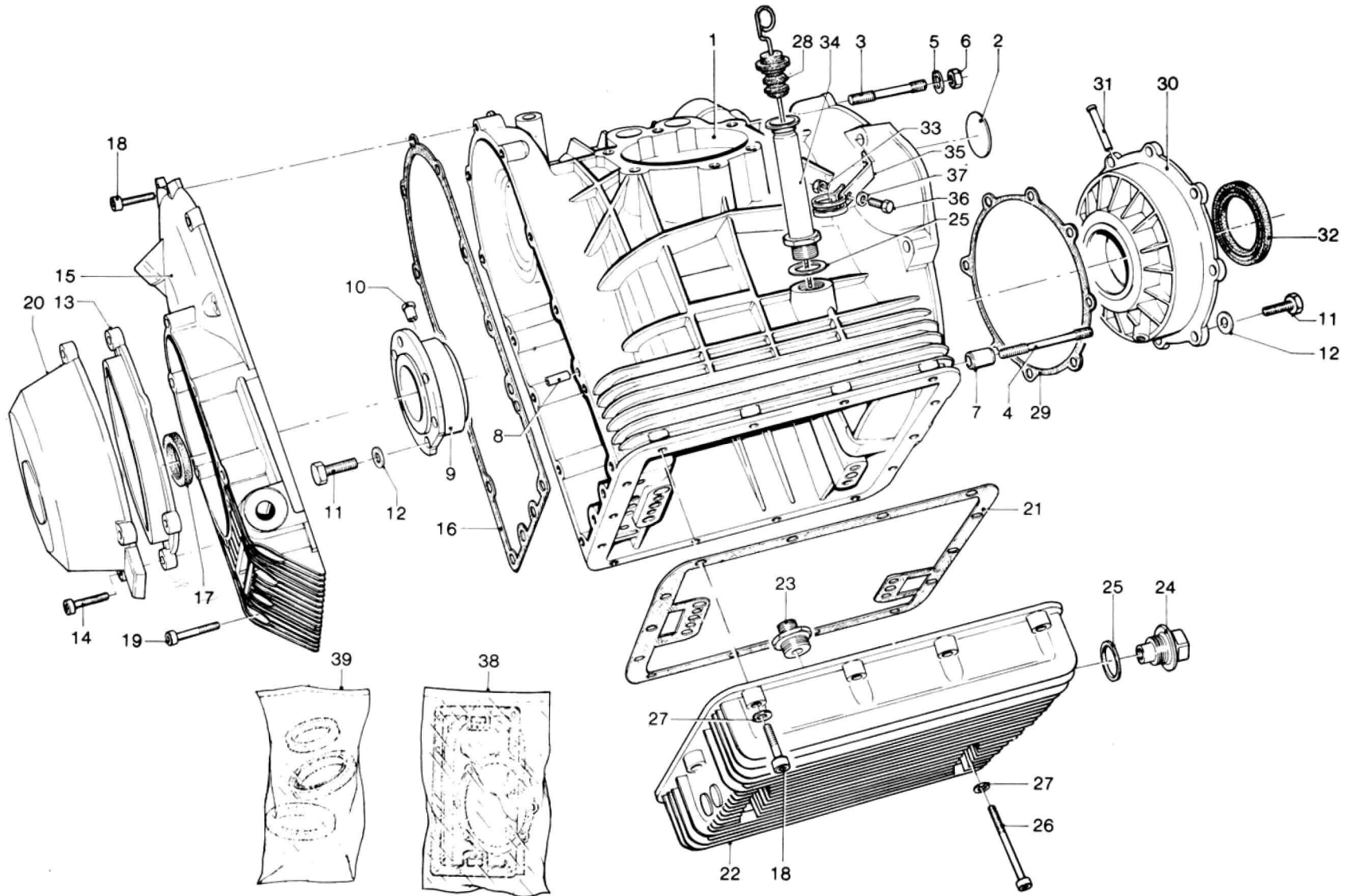
Tavola - Drawing
Table - Bild

2

NOTE NOTES NOTES MARKE	POS. N.	N. COD. CODE No. No. CODE CODE Nr.	Q.tà Q.ty Q.té M.ge	DENOMINAZIONE	DESCRIPTION	DESIGNATION	BEZEICHNUNG
	1	17 11 43 50	1	Collettore d'aspiraz.	Intake manifold	Collecteur d'admiss.	Ansaugroher
	2	17 11 46 50	1	Tubetto	Elbow	Coude	Krümmer
	3	17 15 57 50	1	Sfiatatoio olio	Breather	Reniflard	Entlüfter
	4	17 11 45 53	2	Staffa	Buckle	Boucle	Schnalle
	5	17 66 76 50	2	Molla	Spring	Ressort	Feder
	6	17 11 34 50	1	Fondello	Ring	Bague	Ring
	7	17 11 36 51	1	Filtro aria	Filter cartridge	Cartouche filtre	Luftfilterpatrone
	8	17 11 40 50	1	Custodia	Air filter chamber	Chambre de filtre air	Luftfilterkammer
	9	17 11 41 50	1	Squadretta	Bracket	Support	Träger
	10	95 10 00 59	1	Rosetta	Washer	Rondelle	Scheibe
	11	92 60 22 05	1	Dado	Nut	Ecrou	Mutter
	12	98 05 43 14	1	Vite	Screw	Vis	Schraube
	13	95 02 11 06	1	Rosetta dentellata	Shakery washer	Rondelle dentée	Zahnscheibe
	14	92 60 22 06	1	Dado	Nut	Ecrou	Mutter
	15	17 15 48 50	1	Pipetta sfiato	Rubber elbow	Coude de caoutchouc	Gummikrümmer
	16	17 15 49 50	1	Pipetta recupero	Rubber elbow	Coude de caoutchouc	Gummikrümmer
	17	12 10 84 00	5	Fascetta	Hose clamp	Collier	Schlauchschelle
	18	12 15 78 00	1	Fascetta grande	Hose clamp	Collier	Schlauchschelle
	19	17 15 96 50	2	Tubo sfiato	Vent hose	Tuyau de reniflard	Entlüftungsschlauch
	20	95 99 00 37	2	Vite cava	Hollow screw	Vis creuse	Hohlschraube
	21	12 15 42 00	4	Rosetta alluminio	Washer	Rondelle	Scheibe
	22	95 98 55 32	1	Tubazione	Pipe	Tuyau	Rohr
	23	35 10 84 50	2	Fascetta	Hose clip	Collier de serrage	Schlauchklemme
	24	14 11 54 00	1	Piastrina	Bracket	Plaquette	Träger
	25	12 00 72 00	1	Tubazione	Breather	Reniflard	Entlüfter
	26	12 00 76 00	1	Guarnizione	Gasket	Joint	Dichtung
	27	98 05 43 16	2	Vite	Screw	Vis	Schraube
	28	95 12 00 65	2	Rosetta elastica	Spring washer	Rondelle élastique	Federscheibe
	29	17 00 62 50	1	Tubazione recupero	Return pipe	Tuyau de retour	Rücklaufrohr
	30	12 00 65 00	1	Fascetta	Clamp	Collier	Schelle
	31	12 00 66 00	1	Vite cava	Hollow screw	Vis creuse	Hohlschraube
	32	12 00 64 00	2	Rosetta	Washer	Rondelle	Scheibe



		FILTRO ARIA - SFIATO - TUBI SCARICO - SILENZIATORE AIR FILTER - BREATHER - EXHAUST PIPE - SILENCER FILTER A AIR - RENIFLARD TUYAU D'ÉCHAPPEMENT - SILENC. LUFTFILTER - ENTLÜFTER - AUSPUFFROHR - SCHALLDÄMPFER			CX 100 LM Tavola - Drawing Table - Bild 2		
		NOTE NOTES NOTES MARKE	POS. N.	N. COD. CODE No. No. CODE CODE Nr.	Q.tà Q.ty Q.té M.ge	DENOMINAZIONE	DESCRIPTION
	33	14 15 36 01	1	Tubazione	Oil tube	Tuyau d'huile	Ölleitung
	34	95 99 00 37	3	Vite cava	Hollow screw	Vis creuse	Hohlschraube
	35	12 15 42 00	6	Rosetta	Washer	Rondelle	Scheibe
	36	14 12 09 85	1	Tube scarico dx	R.H. exhaust pipe	Tuyau d'échappem. D	Auspuffrohr, R.
	37	14 12 09 86	1	Tube scarico sx	L.H. exhaust pipe	Tuyau d'échappem. G	Auspuffrohr, L.
	38	90 71 83 70	2	Guarnizione	Gasket	Joint	Dichtung
	39	14 12 12 50	2	Distanziale	Spacer	Entretoise	Distanzring
	40	14 12 10 50	2	Flangia	Flange	Flasque	Flansch
	41	14 61 59 01	4	Rosetta di sicurezza	Washer	Rondelle	Scheibe
	42	92 60 22 08	6	Dado	Nut	Ecrou	Mutter
	43	14 12 39 51	1	Camera di espansione	Expansion chamber	Chambre de détente	Expansionraum
	44	14 12 30 55	1	Silenziatore destro	R.H. silencer	Silencieux D	Schalldämpfer, R.
	45	14 12 29 55	1	Silenziatore sinistro	L.H. silencer	Silencieux G	Schalldämpfer, L.
	46	14 12 69 51	2	Fascetta tenuta tubi scar. e cam. di espans.	Expansion chamber and exhaust pipes clamp	Collier chambre de détente et tuy. échapp.	Auspuffrohr-Expansion- raum Schelle
	47	14 12 34 51	2	Fascetta silenziatore	Silencer clamp	Collier silencieux	Schalldämpferschelle
	48	98 07 44 16	2	Vite fiss. silenziatore	Screw	Vis	Schraube
	49	95 02 11 08	2	Rosetta elastica dentell.	Washer	Rondelle	Scheibe
	50	92 60 22 08	2	Dado per vite fiss. sil.	Nut	Ecrou	Mutter
	51	91 55 10 81	1	Anello gomma	Grommet	Bague en caoutchouc	Gummiring





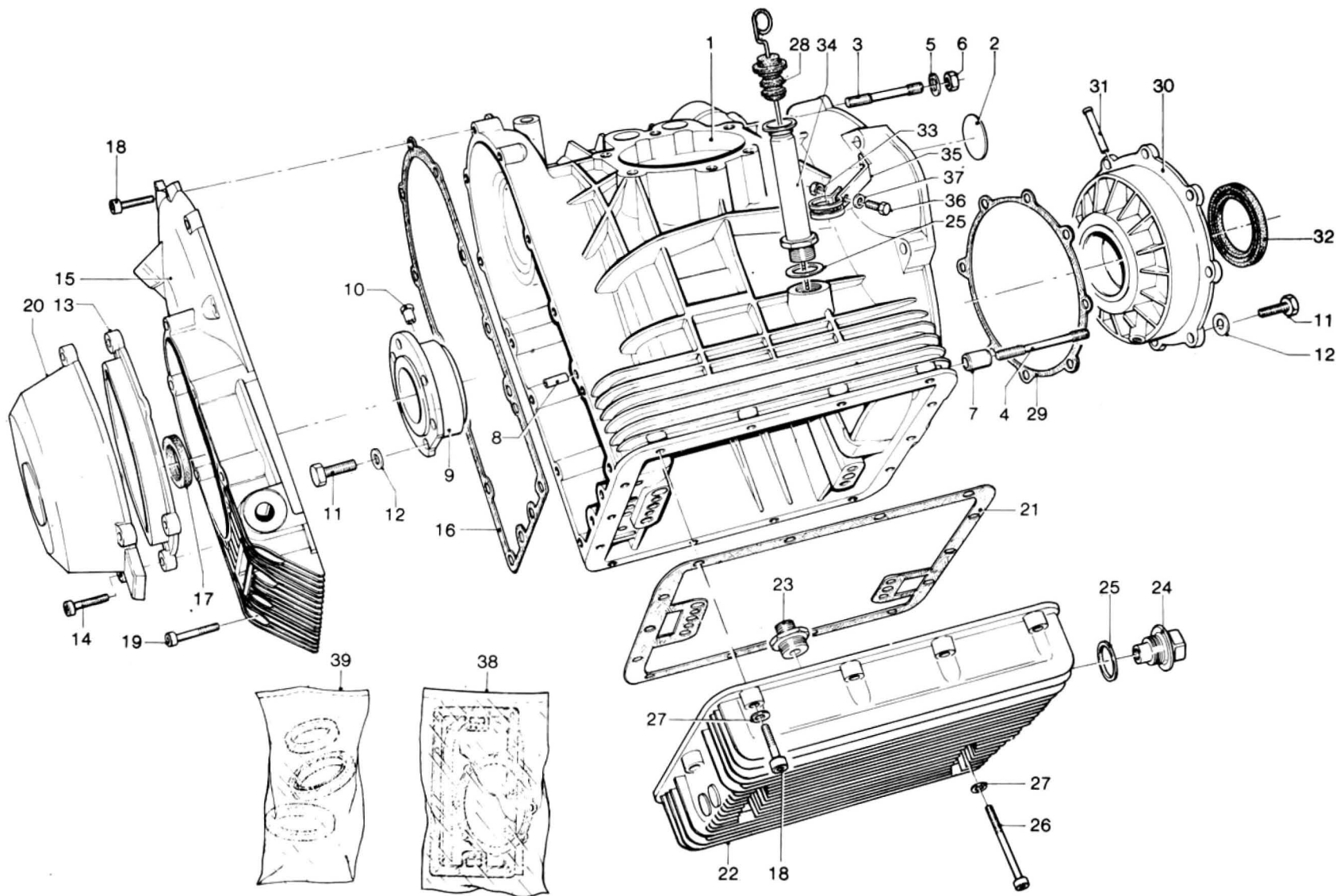
BASAMENTO E COPERCHI
CRANKCASE - COVERS
CARTER MOTEUR - COUVERCLES
KURBELGEHÄUSEUNT. - DECKEL

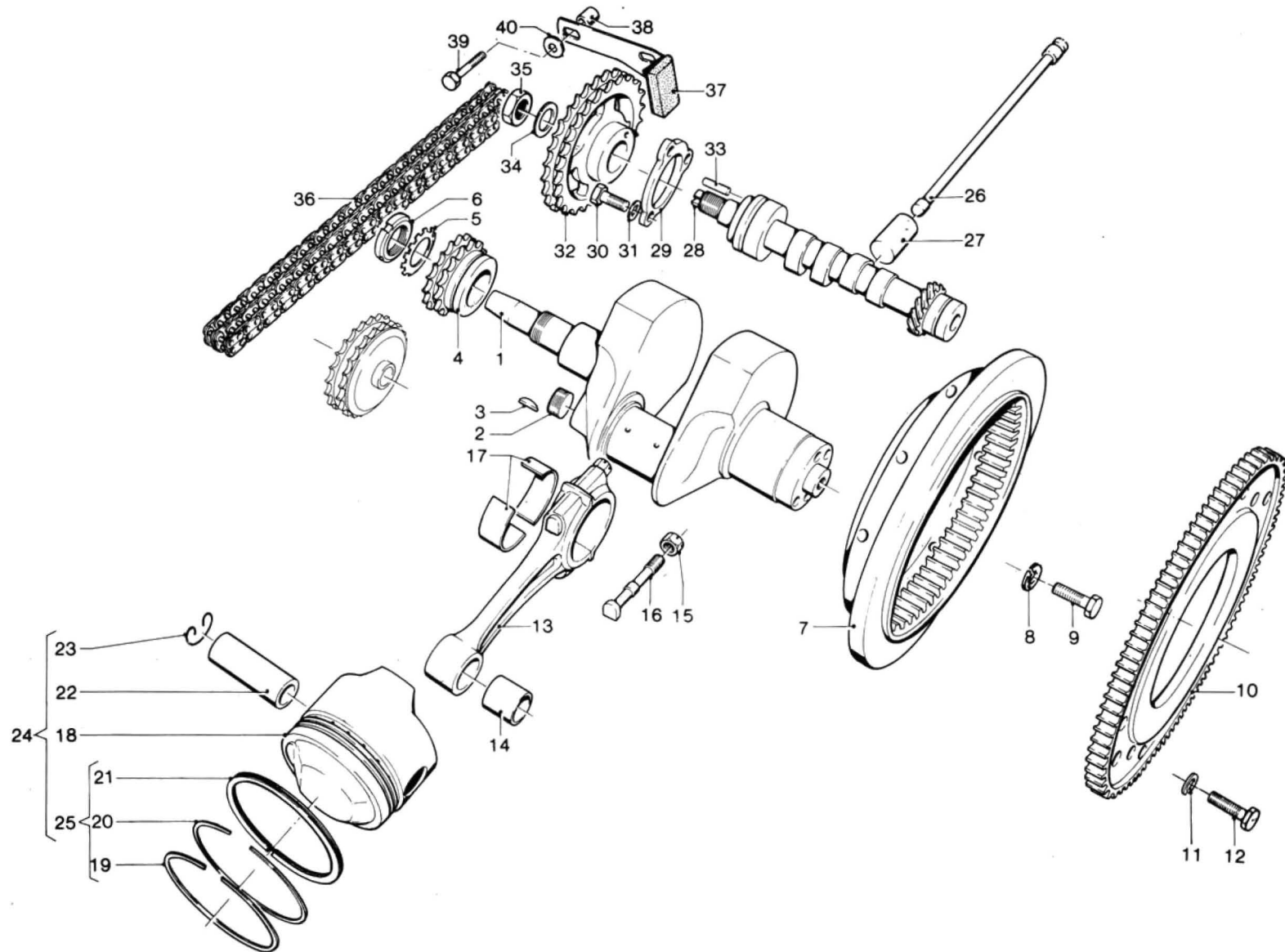
CX 100 LM

Tavola - Drawing
 Table - Bild

3

NOTE NOTES NOTES MARKE	POS. N.	N. COD. CODE No. No. CODE CODE Nr.	Q.tà Q.ty Q.té M.ge	DENOMINAZIONE	DESCRIPTION	DESIGNATION	BEZEICHNUNG
	1	18 00 07 50	1	Basamento motore	Crankcase	Carter moteur	Kurbelgehäuseunterteil
	2	12 00 39 00	1	Fondello	Plug	Bouchon	Stopfen
	3	96 50 80 66	4	Prigioniero corto	Short stud	Goujon cort	Kurze Stiftschraube
	4	96 50 80 75	2	Prigioniero lungo	Long stud	Goujon long	Lange Stiftschraube
	5	95 00 42 08	5	Rosetta	Washer	Rondelle	Scheibe
	6	92 60 22 08	6	Dado	Nut	Ecrou	Mutter
	7	12 01 89 00	2	Bussola riferimento	Coupling bush	Bague d'accouplement	Kupplungsbuchse
	8	95 51 20 81	2	Spina di riferimento	Connecting pin	Axe de liaison	Haltebolzen
	9	14 01 19 00	1	Flangia completa di cuscinetto	Flange with bearing complete	Flasque avec roulement complète	Flansch mit Lager, kpl.
	9	14 01 19 01	1	Flangia (min. mm 0,2)	Flange (undersize mm 0.2)	Flasque (minoré mm 0,2)	Flansch (Untergrosse mm 0,2)
	9	14 01 19 02	1	Flangia (min. mm 0,4)	Flange (undersize mm 0,4)	Flasque (minoré mm 0,4)	Flansch (Untergrösse) mm 0,4)
	9	14 01 19 03	1	Flangia (min. mm 0,6)	Flange (undersize mm 0.6)	Flasque (minoré mm 0,6)	Flansch (Untergrösse mm 0,6)
	10	12 01 22 00	1	Spina	Peg	Bonhomme	Stift
	11	98 05 44 25	14	Vite	Screw	Vis	Schraube
	12	61 27 03 00	14	Rosetta	Washer	Rondelle	Schraube
	13	18 00 11 50	1	Flangia	Flange	Flasque	Flansch
	14	98 31 06 30	4	Vite coperchio	Screw	Vis	Schraube
	15	14 00 14 00	1	Coperchio distribuz.	Timing cover	Couvercle de distrib.	Steuergehäusedeckel
	16	12 00 12 00	1	Guarnizione	Gasket	Joint	Dichtung
	17	90 40 28 39	1	Anello	Ring	Bague	Ring
	18	98 62 03 25	22	Vite corta	Short screw	Vis courte	Kurze Schraube
	19	98 62 03 35	6	Vite lunga	Long screw	Vis longue	Lange Schraube
	20	18 00 16 50	1	Coperchio generatore	Alternator cover	Couvercle de l'altern.	Generatordeckel
	21	14 00 36 00	1	Guarnizione	Gasket	Joint	Dichtung
	22	14 00 35 00	1	Coppa olio	Oil sump	Carter d'huile	Ölwanne
	23	14 00 38 00	1	Raccordo	Connection	Raccord	Anschluss
	24	12 00 37 02	1	Tappo scarico olio	Oil drain plug	Bouchon de vid. huile	Ölablassschraube
	25	95 10 07 09	2	Guarnizione	Gasket	Joint	Dichtung







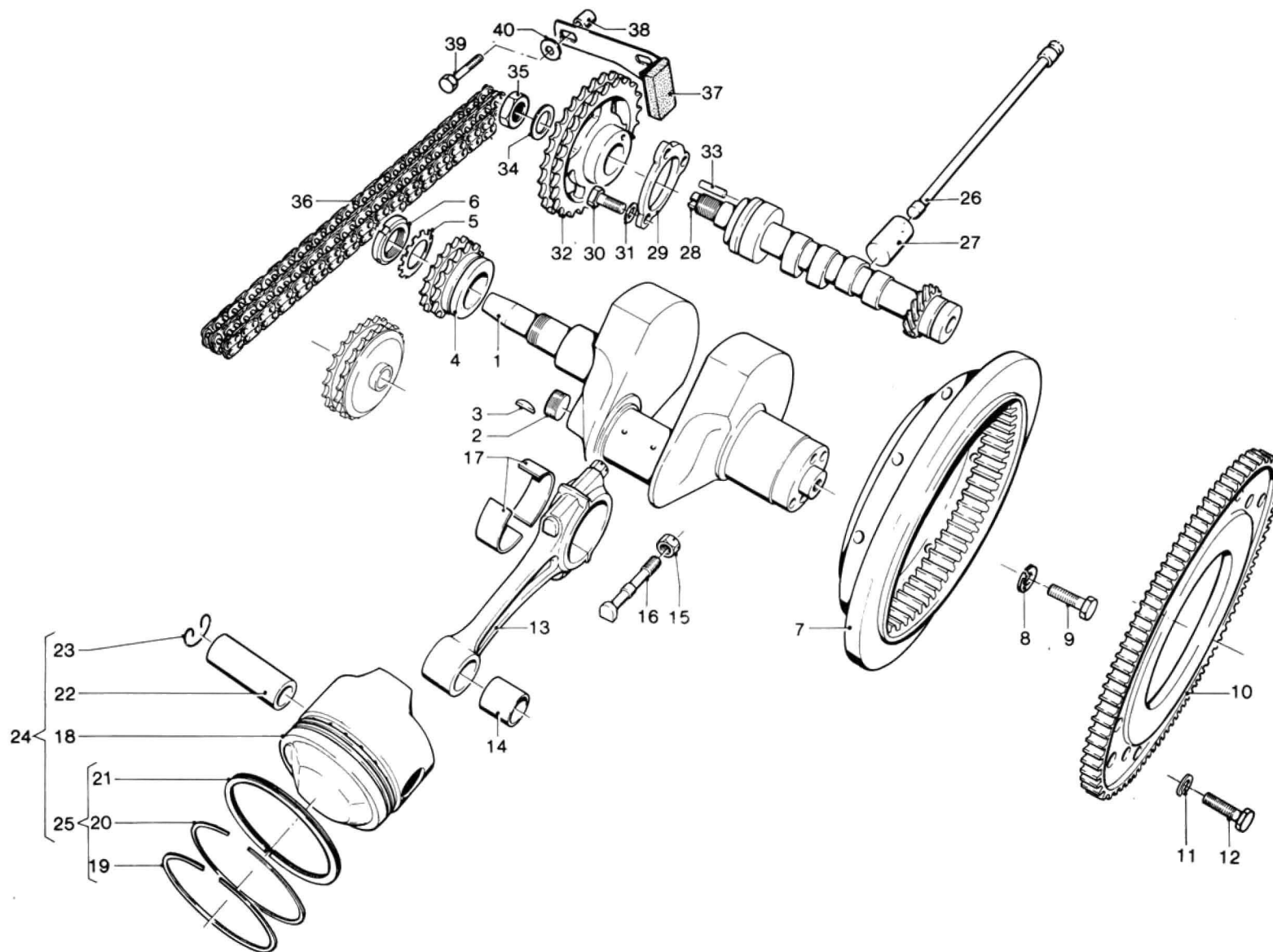
**IMBIELLAGGIO - DISTRIBUZIONE
CONNECTING AND TIMING SYSTEM
EQUIPAGE MOBILE - DISTRIBUTION
PLEUEL UND STEUERUNG**

CX 100 LM

Tavola - Drawing
Table - Bild

4

NOTE NOTES NOTES MARKE	POS. N.	N. COD. CODE No. No. CODE CODE Nr.	Q.tà Q.ty Q.té M.ge	DENOMINAZIONE	DESCRIPTION	DESIGNATION	BEZEICHNUNG
	1	18 06 42 01	1	Albero motore	Crankshaft	Vilebrequin	Kurbelwelle
	2	12 06 54 00	1	Tappo	Plug	Bouchon	Stopfen
	3	91 70 23 55	1	Chiavella	Cotter	Clavette	Keil
	4	14 07 20 01	1	Pignone motore	Driving pinion	Pignon d'attaque	Antriebritzel
	5	95 02 80 25	1	Rosetta	Washer	Rondelle	Scheibe
	6	93 60 10 26	1	Ghiera bloccaggio	Ring nut	Collier de serrage	Gewinding
	7	17 06 70 50	1	Volano motore	Flywheel	Volant	Schwungrad
	8	14 61 59 01	6	Rondella	Washer	Rondelle	Scheibe
	9	12 06 77 01	6	Vite	Screw	Vis	Schraube
	10	17 06 79 00	1	Corona dentata	Flywheel ring gear	Couronné dentée	Schwungradkranz
	11	95 12 00 85	8	Rosetta elastica	Spring washer	Rondelle élastique	Federring
	12	98 05 44 20	8	Vite	Screw	Vis	Schraube
	13	14 06 15 50	2	Biella completa	Connecting rod, assy	Bielle complète	Pleuelstange, kpl.
	14	91 11 21 24	2	Boccola	Bush	Bague	Buchse
	15	92 73 10 90	4	Dado autobloccante	Self-locking nut	Ecrou de sûreté	Sicherungsmutter
	16	14 06 22 01	4	Vite	Screw	Vis	Schraube
	17	12 06 20 05	4	Semicuscinetti di biella	Big-end half bearing	Demi-couss. tête bielle	Pleuellagerschale
	17	12 06 20 06	4	Semicuscinetto (min. mm 0,254)	Half-bearing (under-size mm 0.254)	Demi-coussinet (minoré mm 0,254)	Lagerschale (Untergrösse mm 0,254)
	17	12 06 20 07	4	Semicuscinetto (min. mm 0,508)	Half-bearing (under-size mm 0.508)	Demi-coussinet (minoré mm 0,508)	Lagerschale (Untergrösse mm 0,508)
	17	12 06 20 08	4	Semicuscinetto (min. mm 0,762)	Half-bearing (under-size mm 0.762)	Demi-coussinet (minoré mm 0,762)	Lagerschale (Untergrösse mm 0,762)
	18	18 06 04 50	2	Pistone	Piston	Piston	Kolben
	18	18 06 05 50	2	Pistone (magg. 4/10)	Piston (oversize 4/10)	Piston (majoré 4/10)	Kolben (über. 4/10)
	18	18 06 05 51	2	Pistone (magg. 6/10)	Piston (oversize 6/10)	Piston (majoré 6/10)	Kolben (über 6/10)
	19	18 06 07 50	2	Fascia elast. super.	Piston ring	Segment d'étanchéité	Kolbenring
	19	18 06 07 51	2	Fascia sup. (magg. 4/10)	Piston ring (over. 4/10)	Seg. d'étanch. (m. 4/10)	Kolbenring (über, 4/10)
	19	18 06 07 52	2	Fascia sup. (magg. 6/10)	Piston ring (over. 6/10)	Seg. d'étanch. (m. 6/10)	Kolbenring (über. 6/10)
	20	18 06 09 50	2	Fascia elast. interm.	Piston ring	Segment d'étanchéité	Kolbering
	20	18 06 09 51	2	Fascia int. (magg. 4/10)	Piston ring (over. 4/10)	Seg. d'étanch. (m. 4/10)	Kolbenring (über. 4/10)
	20	18 06 09 52	2	Fascia int. (magg. 6/10)	Piston ring (over. 6/10)	Seg. d'étanch. (m. 6/10)	Kolbenring (über. 6/10)
	21	14 06 10 60	2	Fascia elast. raschiaolio	Scraper ring	Segment racléur	Olabstreifring





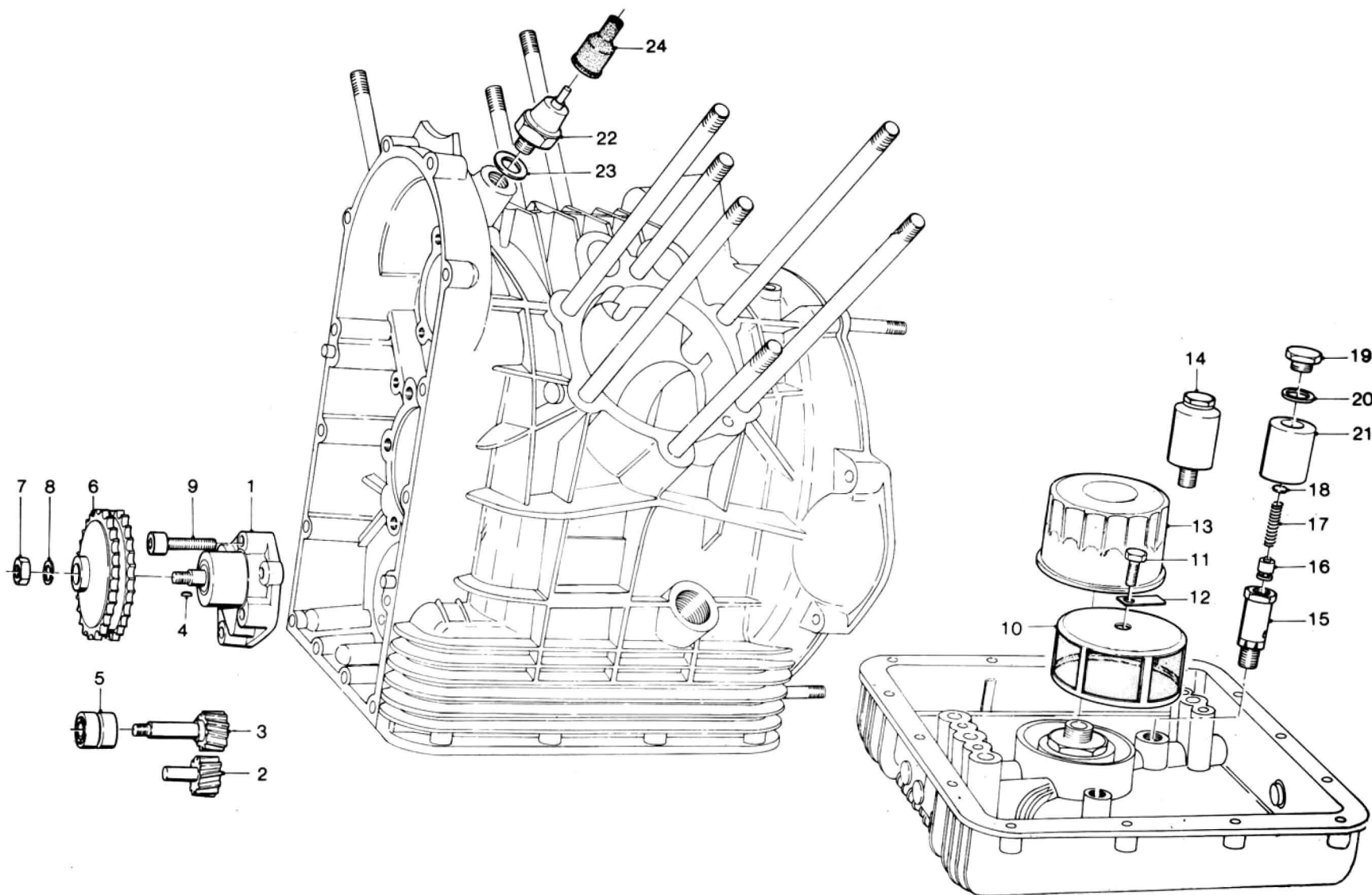
IMBIELLAGGIO - DISTRIBUZIONE
CONNECTING AND TIMING SYSTEM
EQUIPAGE MOBILE DISTRIBUTION
PLEUEL UND STEUERUNG

CX 100 LM

Tavola - Drawing
Table - Bild

4

NOTE NOTES NOTES MARKE	POS. N.	N. COD. CODE No. No. CODE CODE Nr.	Q.tà Q.ty Q.té M.ge	DENOMINAZIONE	DESCRIPTION	DESIGNATION	BEZEICHNUNG
	21	14 06 10 61	2	Fascia raschiaolio (magg. 4/10)	Scraper ring (oversize 4/10)	Segment racleur (majoré 4/10)	Ölabstreifring (über. 4/10)
	21	14 06 10 62	2	Fascia raschiaolio (magg. 6/10)	Scraper ring (oversize 6/10)	Segment racleur (majoré 6/10)	Ölabstreifring (über. 6/10)
	22	13 06 12 60	2	Spinotto	Wrist pin	Axe de piston	Kolbenbolzen
	23	90 35 10 37	4	Molletta	Circlip	Jonc d'arrêt	Sprengring
	24	14 06 02 85	2	Pistone completo	Piston, assy	Piston complet	Kolben, kpl.
	24	14 06 03 85	2	Pistone completo (magg. 4/10)	Piston, assy (oversize 4/10)	Piston complet (majoré 4/10)	Kolben, kpl. (über. 4/10)
	24	14 06 03 86	2	Pistone completo (magg. 6/10)	Piston, assy (oversize 6/10)	Piston complet (majoré 6/10)	Kolben, kpl. (über 6/10)
	25	14 06 06 85	2	Gruppo fasce elastiche	Piston ring set	Ensemble de segments	Kolbenringausrüstung
	25	14 06 06 86	2	Gruppo fasce elastiche (magg. 4/10)	Piston ring set (oversize 4/10)	Ensemble de segments (majoré 4/10)	Kolbenringausrüstung (über. 4/10)
	25	14 06 06 87	2	Gruppo fasce elastiche (magg. 6/10)	Piston ring set (oversize 6/10)	Ensemble de segments (majoré 6/10)	Kolbenringausrüstung (über 6/10)
	26	17 04 50 50	4	Astina com. bilancieri	Tapper stem	Tige de poussoir	Stossstange
	27	10 04 58 00	4	Punterie	Valve plunger	Poussoir de soupape	Ventilstößel
	27	10 04 58 01	4	Punterie (magg. mm 0,05)	Valve plunger (over- size mm 0.05)	Poussoir de soupape (majoré mm 0,05)	Ventilstößel (Obergrösse mm 0,05)
	27	10 04 58 02	4	Punterie (magg. mm 0,10)	Valve plunger (over- size mm 0.10)	Poussoir de soupape (majoré mm 0,10)	Ventilstößel (Obergrösse mm 0,10)
	28	14 05 33 01	1	Albero a camme	Camshaft	Arbre de distribution	Nockenwelle
	29	12 05 40 00	1	Flangia	Flange	Flasque	Flansch
	30	98 05 43 20	3	Vite	Screw	Vis	Schraube
	31	95 12 00 65	3	Rosetta	Washer	Rondelle	Scheibe
	32	13 05 45 02	1	Ingr. com. distrib.	Camshaft gear	Pignon d'arbre distrib.	Nockenwellenrad
	33	95 51 20 60	1	Spina	Pin	Goupille Mecanindus	Stift
	34	14 43 34 00	1	Rosetta	Washer	Rondelle	Scheibe
	35	92 60 25 18	1	Dado	Nut	Ecrou	Mutter
	36	13 05 80 00	1	Catena com. distrib.	Timing chain	Chaîne de distrib.	Steuerkette
	37	13 05 82 00	1	Piastra tendicatena	Chain stretching drive	Tendeur de chaîne	Kettenspanner
	38	91 18 09 15	2	Tubetto distanziale	Spacer	Entretoise	Distanzstück
	39	98 05 44 40	2	Vite	Screw	Vis	Schraube
	40	61 27 03 00	2	Rosetta	Washer	Rondelle	Scheibe





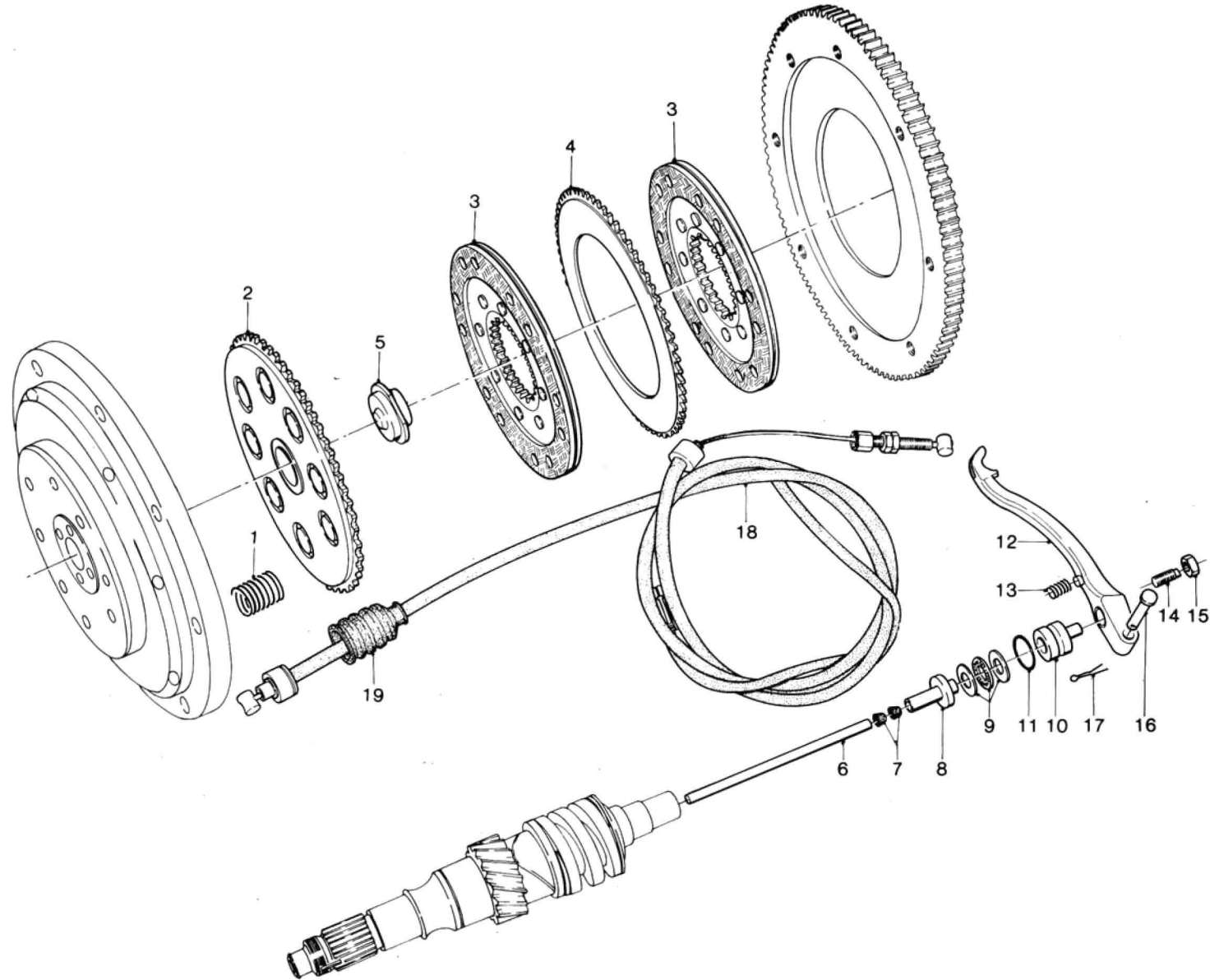
LUBRIFICAZIONE
LUBRICATION
GRAISSAGE
SCHMIERUNG


CX 100 LM

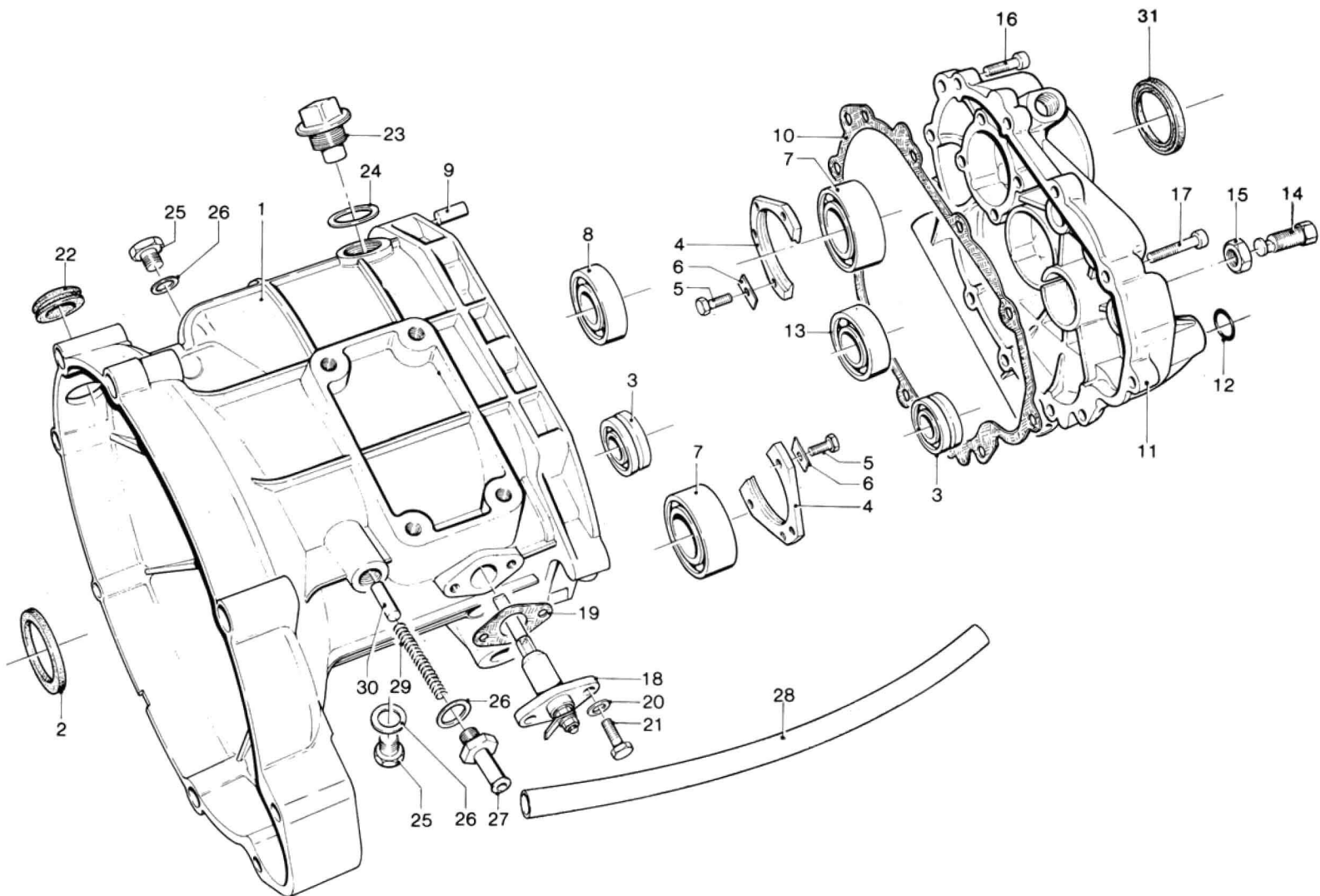
Tavola - Drawing
Table - Bild

5

NOTE NOTES NOTES MARKE	POS. N.	N. COD. CODE No. No. CODE CODE Nr.	Q.tà Q.ty Q.té M.ge	DENOMINAZIONE	DESCRIPTION	DESIGNATION	BEZEICHNUNG
	1	13 14 64 02	1	Pompa olio compl. senza ingr. comando	Oil pump compl. (N. 6 excl.)	Pompe à huile compl. (N. 6 exclu)	Ölpumpe, kpl. (N. 6 aus.)
	2	13 14 84 00	1	Ingranaggio condotto	Driven gear	Pignon mené	Zahnrad getrieben
	3	13 14 78 00	1	Ingranaggio conduttore	Drive gear	Pignon menant	Steuerrad
	4	13 14 83 00	1	Chiavella	Key	Clavette	Keil
	5	92 25 22 10	1	Cuscinetto a rullini	Needle bearing	Roulement à aiguilles	Nadellager
	6	13 14 77 01	1	Ingr. comando pompa	Pump driving gear	Roue d'entraîn. pompe	Zahnrad
	7	92 60 23 08	1	Dado	Nut	Ecrou	Mutter
	8	95 12 00 85	1	Rosetta	Washer	Rondelle	Scheibe
	9	98 62 24 30	4	Vite	Screw	Vis	Schraube
	10	14 15 22 00	1	Filtro olio a rete	Gauze	Tamis	Sieb
	11	98 05 43 16	1	Vite	Screw	Vis	Schraube
	12	95 18 70 06	1	Piastrina di sicurezza	Lock plate	Plaquette frein	Schliessblech
	13	14 15 30 00	1	Filtro olio a cartuccia	Cartridge	Cartouche	Patrone
	14	14 15 82 00	1	Valvola regolazione	Control valve	Clapet de décharge	Drucksteuerventil
	15	10 15 87 01	1	Corpo valvola	Valve housing	Corps de clapet	Ventilgehäuse
	16	12 15 09 00	1	Pistone per valvola	Valve piston	Piston de clapet	Ventilkolben
	17	94 32 10 72	1	Molla per valvola	Valve spring	Ressort de clapet	Ventilfeder
	18	12 15 07 00	1	Fondello per valvola	Bottom disc	Rondelle butée	Verschlusscheibe
	19	12 15 90 00	1	Tappo per valvola	Valve plug	Bouchon de clapet	Ventilstopfen
	20	95 10 05 07	1	Rosetta	Washer	Rondelle	Scheibe
	21	14 15 88 00	1	Scodellino	Cup	Coupelle	Manschette
	22	17 76 87 50	1	Trasmettitore segnal.	Oil indicator	Mano-contact	Ölanzeige
	23	12 00 64 00	1	Rosetta alluminio	Washer	Rondelle	Scheibe
	24	12 71 76 00	1	Cappuccio trasmett.	Cap	Capuchon	Schutzkappe



		FRIZIONE CLUTCH EMBRAYAGE KUPPLUNG			CX 100 LM		
					Tavola - Drawing Table - Bild 6		
NOTE NOTES NOTES MARKE	POS. N.	N. COD. CODE No. No. CODE CODE Nr.	Q.tà Q.ty Q.té M.ge	DENOMINAZIONE	DESCRIPTION	DESIGNATION	BEZEICHNUNG
	1	13 08 41 00	8	Molla per frizione	Spring	Ressort	Feder
	2	12 08 29 01	1	Piattello spingimolle	Pressure plate	Plaque de pression	Druckplatte
	3	14 08 44 50	2	Disco frizione compl.	Clutch plate, compl.	Disque d'embr. compl.	Kupplungsscheibe, kpl.
	4	12 08 23 00	1	Disco frizione interm.	Intermediate plate	Disque intercalaire	Zwischenscheibe
	5	12 08 28 00	1	Scodellino	Cup	Coupelle	Manschette
	6	14 08 57 00	1	Asta	Rod	Tige de poussée	Druckstift
	7	14 08 59 00	2	Bussola conica	Bush	Douille (caoutch.)	Gummibuchse
	8	14 08 60 00	1	Corpo interno	Inner body	Corps intérieur	Innengehäuse
	9	12 08 70 01	1	Cuscinetto reggispinta	Thrust bearing	Butée d'embrayage	Drucklager
	10	14 08 61 00	1	Corpo esterno	Outer body	Corps extérieur	Aussengehäuse
	11	90 70 61 70	1	Anello di tenuta	Seal ring	Joint d'étanchéité	Dichtring
	12	14 09 02 02	1	Leva disinnesto friz.	Operating lever	Levier de dégagem.	Ausrückhebel
	13	94 32 11 05	1	Molla ritorno leva	Counter spring	Ressort de rappel	Gegenfeder
	14	14 09 04 00	1	Vite registro leva	Adjusting screw	Vis de réglage	Stellschraube
	15	92 60 25 08	1	Dado	Nut	Ecrou	Mutter
	16	95 78 02 71	1	Spina	Pin	Axe de maintien	Stift
	17	95 50 02 22	1	Copiglia	Split pin	Goupille	Splint
	18	14 09 30 51	1	Trasm. com. frizione	Clutch cable	Câble d'embrayage	Kupplungskabel
	19	17 09 38 50	1	Soffietto	Bellows	Soufflet	Balgmanschette





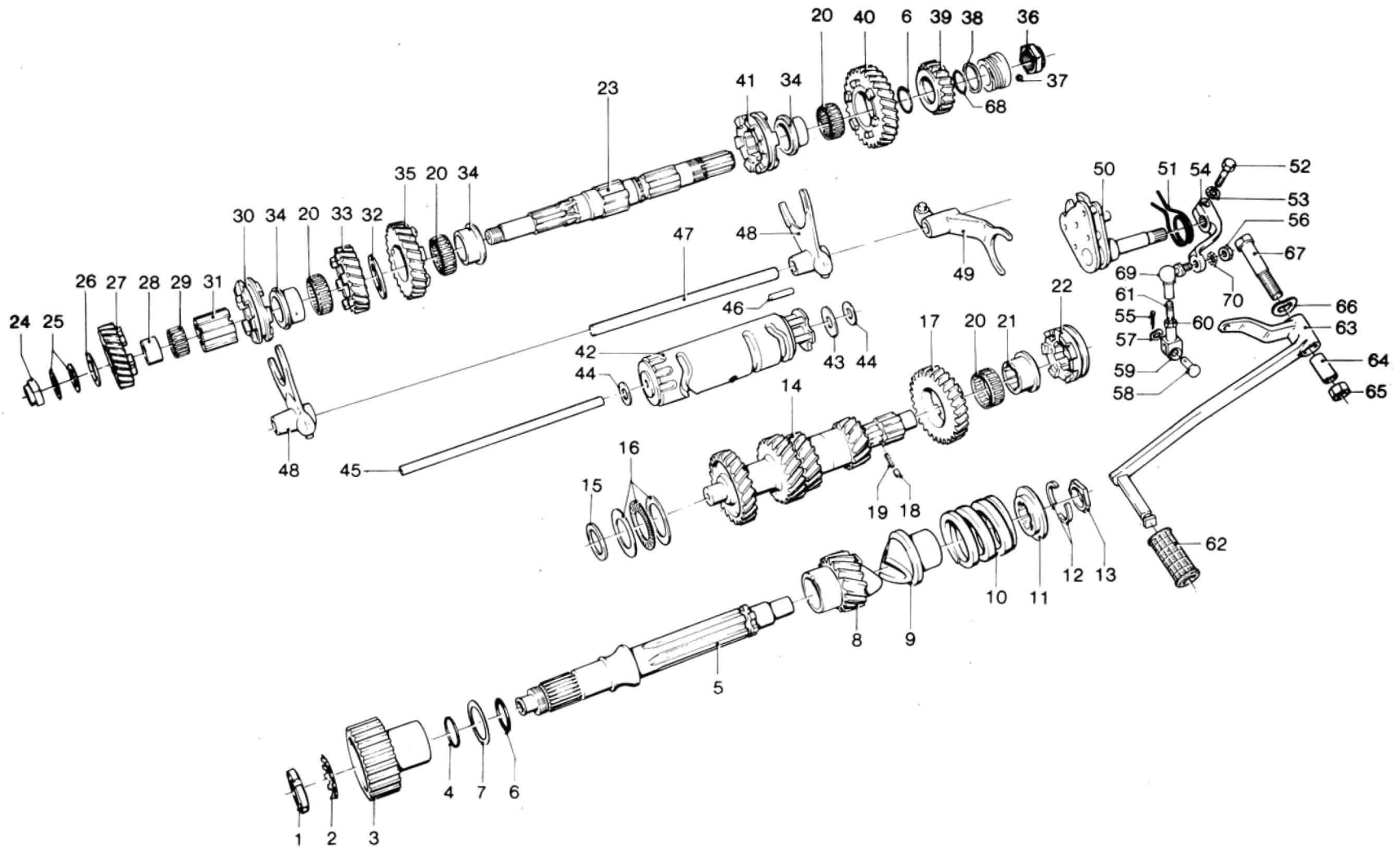
SCATOLA E COPERCHI CAMBIO
GEARBOX AND COVERS
BOITE DE VITESSES ET COUVERCLES
GETRIEBEGEHÄUSE UND DECKEL

CX 100 LM

Tavola - Drawing
Table - Bild

7

NOTE NOTES NOTES MARKE	POS. N.	N. COD. CODE No. No. CODE CODE Nr.	Q.tà Q.ty Q.té M.ge	DENOMINAZIONE	DESCRIPTION	DESIGNATION	BEZEICHNUNG
	1	14 20 02 11	1	Scatola cambio	Gearbox	Boîte de vitesse	Getriebegehäuse
	2	90 40 35 48	1	Anello di tenuta	Seal ring	Joint d'étanchéité	Dichtring
	3	92 25 62 18	2	Cuscinetto A.P. e A.F.	Main shaft and clutch shaft bearing	Roulement arbre prim. et arbre. d'embrayage	Lager für Antrieb- und Kupplungswelle
	4	14 21 38 03	2	Piastrina di sicurezza	Lock plate	Plaquette frein	Schliessblech
	5	98 62 23 16	6	Vite	Screw	Vis	Schraube
	6	14 21 79 01	6	Piastrina di sicurezza	Lock plate	Plaquette frein	Schliessblech
	7	92 21 84 24	2	Cuscinetto A.F. e A.S.	C.S. - L.S. bearing	Roulem. A. d'E. - A.S.	Lager für K.W. - Ab.W.
	8	92 23 47 17	1	Cuscinetto A.S.	L.S. bearing	Roulement A.S.	Lager für Ab.W.
	9	95 51 20 81	2	Spina di riferimento	Dowel	Téton	Dübel
	10	14 20 11 10	1	Guarnizione	Gasket	Joint	Dichtung
	11	14 20 08 11	1	Coperchio per scatola	Cover	Couvercle	Deckel
	12	90 70 61 40	1	Anello di tenuta	Seal ring	Bague d'étanchéité	Dichtring
	13	92 20 14 17	1	Cuscinetto per A.P.	M.S. bearing	Roulement A.P.	Lager für An.W.
	14	14 23 78 00	1	Vite eccentrica	Eccentric screw	Vis excentrique	Ausmittige Schraube
	15	92 60 25 12	1	Dado	Nut	Ecrou	Mutter
	16	98 62 03 25	10	Vite corta	Short screw	Vis courte	Kurze Schraube
	17	98 62 03 35	1	Vite lunga	Long screw	Vis longue	Lange Schraube
	18	12 20 72 00	1	Corpo contatti	Contact holder	Porte-contact	Kontakträger
	19	12 20 77 00	1	Guarnizione	Gasket	Joint	Dichtung
	20	95 00 02 06	2	Rosetta piana	Washer	Rondelle	Scheibe
	21	98 05 43 16	2	Vite	Screw	Vis	Schraube
	22	93 18 02 20	1	Tappo in gomma	Rubber plug	Bouchon en caoutch.	Gummistopfen
	23	12 00 37 02	1	Tappo olio	Oil filler plug	Bouchon de rempl. huile	Öleinfüllstutzen
	24	95 10 07 09	1	Guarnizione	Gasket	Joint	Dichtung
	25	95 98 06 10	2	Tappo livello e scarico	Lever and drain plug	Bouch. de niveau - vid.	Ölstand- und Ablasst.
	26	10 52 89 00	3	Guarnizione	Gasket	Joint	Dichtung
	27	12 23 53 01	1	Tappo sfiatatoio	Breather	Reniflard	Entlüfter
	28	12 23 94 00	1	Tubazione	Breather pipe	Tuyau de reniflard	Entlüfterschlauch
	29	94 32 10 67	1	Molla	Spring	Ressort	Feder
	30	55 23 47 00	1	Nottolino fermo marce	Pawl	Cliquet d'arrêt	Sperrklinke
	31	90 40 35 47	1	Anello di tenuta	Seal ring	Bague d'étanchéité	Dichtring





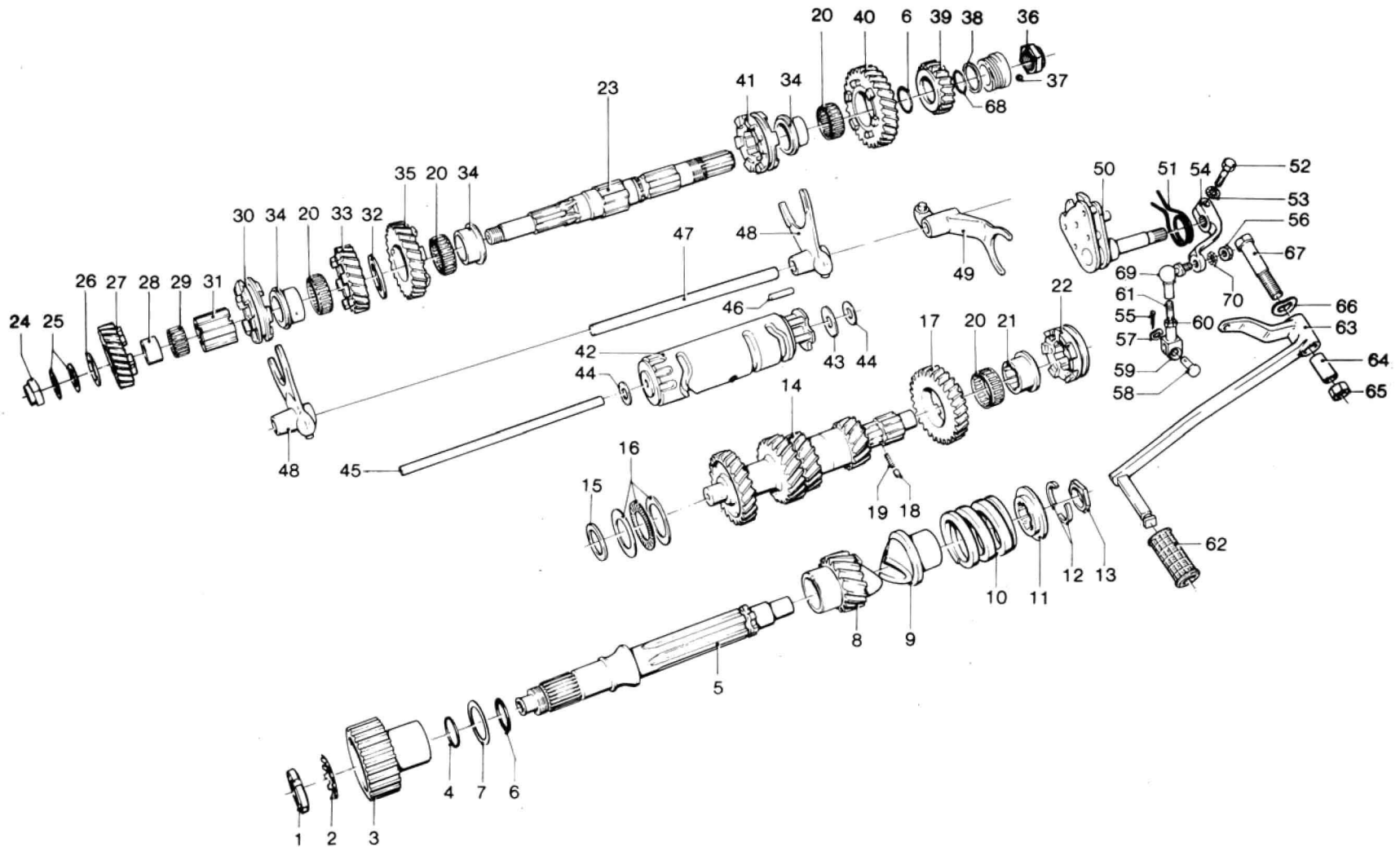
INGRANAGGI - ALBERI E COMANDO CAMBIO
GEARS - SHAFTS - CONTROLS
PIGNONS - ARBRES - COMMANDE BOITE DE VITESSES
ZAHNRAD - WELLEN - SCHALTUNG

CX 100 LM

Tavola - Drawing
Table - Bild

8

NOTE NOTES NOTES MARKE	POS. N.	N. COD. CODE No. No. CODE CODE Nr.	Q.tà Q.ty Q.té M.ge	DENOMINAZIONE	DESCRIPTION	DESIGNATION	BEZEICHNUNG
	1	93 60 10 22	1	Ghiera	Locking sleeve	Manchon de verrouill.	Sicherungsblech
	2	95 02 80 22	1	Rondella	Washer	Rondelle	Scheibe
	3	14 08 18 11	1	Corpo inter. frizione	Clutch gear	Pignon d'embrayage	Kupplungsrad
	4	90 70 62 35	1	Guarnizione	Gasket	Joint	Dichtung
	5	14 21 07 02	1	Albero frizione	Clutch shaft (C.S.)	Arbre d'embr. (A. d'E.)	Kupplungswelle (K.W.)
	6	90 70 62 03	2	Anello di tenuta A.F.	Seal ring (C.S.)	Bague d'étanch. (A. d'E.)	Dichtring für K.W.
	7	14 21 84 01	1	Rondella spandiolio	Oil spreading washer	Rondelle ép. d'huile	Olwergerscheibe
	8	14 21 11 10	1	Ingranaggio rinvio (Z = 17)	Idle gear (Z = 17)	Pignon intermédiaire (Z = 17)	Zahnradvorgelege 17 Z
	9	14 21 12 01	1	Manicotto ad innesti	Coupling muff	Manchon à crabots	Eingreifmuffe
	10	13 21 15 00	1	Molla	Spring	Ressort	Feder
	11	14 21 16 00	1	Piattello	Cup	Coupelle	Manschette
	12	12 21 17 00	2	Semisettori	Semi-collar	Plaquette d'arrêt	Halbsektor
	13	14 21 94 01	1	Spessore	Spacer	Cale	Distanzstück
	14	14 21 05 13	1	Albero primario	Main shaft (M.S.)	Arbre primaire (A.P.)	Antriebwelle (An. W.)
	15	18 21 10 50	1	Rosetta di rasamento mm 2	Support washer mm 2	Rondelle d'appui mm 2	Stützscheibe mm 2
	15	18 21 10 51	1	Rosetta di rasamento mm 2,1	Support washer mm 2,1	Rondelle d'appui mm 2,1	Stützscheibe mm 2,1
	15	18 21 10 52	1	Rosetta di rasamento mm 2,2	Support washer mm 2,2	Rondelle d'appui mm 2,2	Stützscheibe mm 2,2
	15	18 21 10 54	1	Rosetta di rasamento mm 2,4	Support washer mm 2,4	Rondelle d'appui mm 2,4	Stützscheibe mm 2,4
	16	92 25 85 25	1	Cuscin. rullini reggisp.	Needle bearing	Roulem. à aiguilles	Nadellager
	17	14 21 20 13	1	Ingr. 5a A.P. (Z = 28)	5th gear (M.S.) (Z = 28)	Pignon 5ème (A.P.) (Z = 28)	(An.W.) Schaltrad 5. Gang 28 Z
	18	92 29 67 50	1	Rullo di fermo boccola	Bush lock	Galet d'interlock	Buchseanlagstift
	19	94 32 10 51	1	Molla	Spring	Ressort	Feder
	20	92 25 10 30	4	Gabbia a rullini	Needle cage	Cage à aiguilles	Nadelkäfig
	21	14 21 22 10	1	Boccola per 5a (A.P.)	5th gear bush (M.S.)	Douille 5ème (A.P.)	Buchse 5. Gang (An.W.)
	22	14 23 15 10	1	Manicotto scorrev. 5a	5th gear sliding sleeve	Baladeur 5ème	Schiebemuffe für 5. Gang
	23	14 21 36 12	1	Albero secondario	Layshaft (L.S.)	Arbre second. (A.S.)	Abtriebwellen (Ab.W.)
	24	14 21 74 10	1	Dado di sicur. A.S.	Nut (L.S.)	Ecrou (A.S.)	Bundmutter (Ab.W.)
	25	43 08 38 10	2 ÷ 4	Rosetta di aggiustaggio	Shim	Disque d'ajustement	Passscheibe





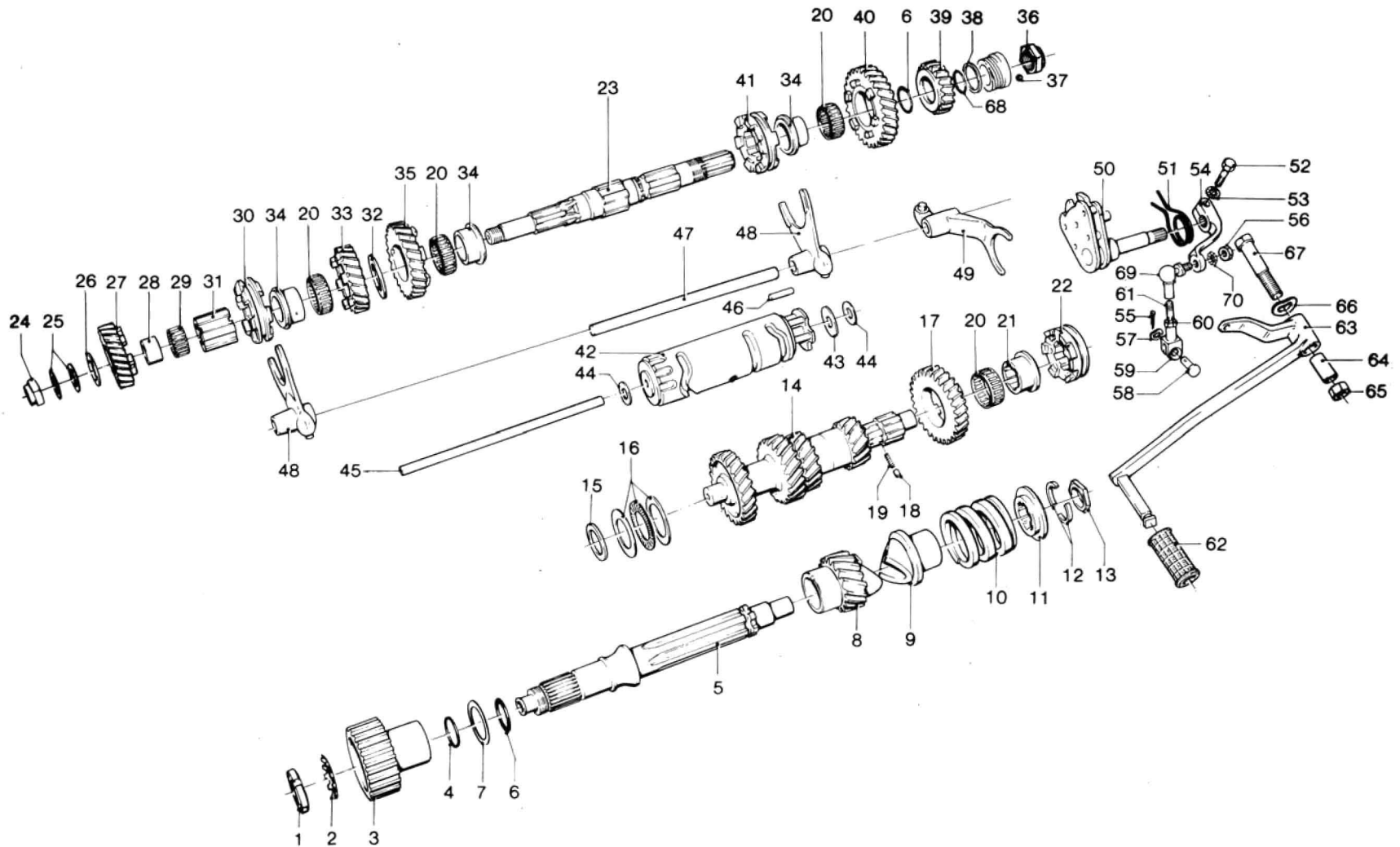
INGRANAGGI - ALBERI E COMANDO CAMBIO
GEARS - SHAFTS - CONTROLS
PIGNONS - ARBRES - COMMANDE BOITE DE VITESSES
ZAHNRAD - WELLEN - SCHALTUNG

CX 100 LM

Tavola - Drawing
Table - Bild

8

NOTE NOTES NOTES MARKE	POS. N.	N. COD. CODE No. No. CODE CODE Nr.	Q.tà Q.ty Q.té M.ge	DENOMINAZIONE	DESCRIPTION	DESIGNATION	BEZEICHNUNG
	26	14 21 54 00	1	Rosetta di spallam.	Support washer	Rondelle d'épaulem.	Stützscheibe
	27	14 21 51 10	1	Ingranaggio 4a A.S. (Z = 20)	4th gear (L.S.) (Z = 20)	Pignon 4ème (A.S.) (Z = 20)	(Ab.W.) Schaltrad 4. Gang 20 Z
	28	92 25 90 17	1	Anello interno 4a	4th gear inner ring	Anneau int. 4ème	Innenring für 4. Gang
	29	92 25 10 22	1	Gabbia a rullini 4a A.S.	4th gear needle cage (L.S.)	Cage à aiguilles 4ème (A.S.)	Nadelkäfig für 4. Gang (Ab.W.)
	30	14 23 10 12	1	Manicotto 3a - 4a A.S.	3rd - 4th sliding sleeve (L.S.)	Baladeur 3ème - 4ème (A.S.)	Schiebenmuffe für 3-4 Gang (Ab.W.)
	31	14 23 25 12	1	Manicotto fisso A.S.	Sleeve (L.S.)	Manchon (A.S.)	Muffe (Ab.W.)
	32	14 21 80 11	1	Rosetta di spall. A.S.	Support washer (L.S.)	Rondelle d'appui (A.S.)	Stützscheibe (Ab.W.)
	33	14 21 48 10	1	Ingranaggio 3a A.S. (Z = 22)	3rd gear (Z = 22) (L.S.)	Pignon 3ème (Z = 22) (A.S.)	(Ab.W.) Schaltrad 3. Gang 22 Z
	34	14 21 30 01	3	Boccola 1a-2a-3a A.S.	1st-2nd-3rd bush (L.S.)	Douille 1ère-2ème 3ème (A.S.)	Büchse für 1.2.3. Gang (Ab.W.)
	35	14 21 45 10	1	Ingranaggio 2a A.S. (Z = 25)	2nd gear (Z = 25) (L.S.)	Pignon 2ème (Z = 25) (A.S.)	(Ab.W.) Schaltrad 2. Gang 25 Z
	36	14 21 93 10	1	Dado bloccaggio A.S.	Locking nut (L.S.)	Ecrou de serrage (A.S.)	Bundmutter (Ab.W.)
	37	92 29 57 02	1	Sfera	Ball	Bille	Kugel
	38	14 21 73 00	1	Rosetta di spallam.	Support washer	Rondelle d'épaulem.	Stützscheibe
	39	14 21 52 13	1	Ingranaggio 5a A.S. (Z = 21)	5th gear (Z = 21) (L.S.)	Pignon 5ème (Z = 21) (A.S.)	(Ab.W.) Schaltrad 5. Gang 21 Z
	40	14 21 42 10	1	Ingranaggio 1a A.S. (Z = 28)	1st gear (Z = 28) (L.S.)	Pignon 1ère (Z = 28) (A.S.)	(Ab.W.) Schaltrad 1. Gang 28 Z
	41	14 23 07 11	1	Manicotto scorrevole 1a e 2a A.S.	1st-2nd sliding sleeve (L.S.)	Baladeur 1ère-2ème (A.S.)	Schiebenmuffe für 1.-2. Gang (Ab.W.)
	42	14 23 44 05	1	Tamburo scanalato	Splined drum	Tambour de comm.	Keilwelle
	43	14 23 55 00	1	Rosetta	Washer	Rondelle	Scheibe
	44	55 23 50 00	3	Rosetta di aggiustaggio mm 0,6	Shim mm 0.6	Rondelle d'ajustement mm 0,6	Passscheibe mm 0,6
	44	55 23 50 01	3	Rosetta di aggiustaggio mm 0,8	Shim mm 0.8	Rondelle d'ajustement mm 0,8	Passscheibe mm 0,8
	44	55 23 50 02	3	Rosetta di aggiustaggio mm 1	Shim mm 1	Rondelle d'ajustement mm 1	Passscheibe mm 1





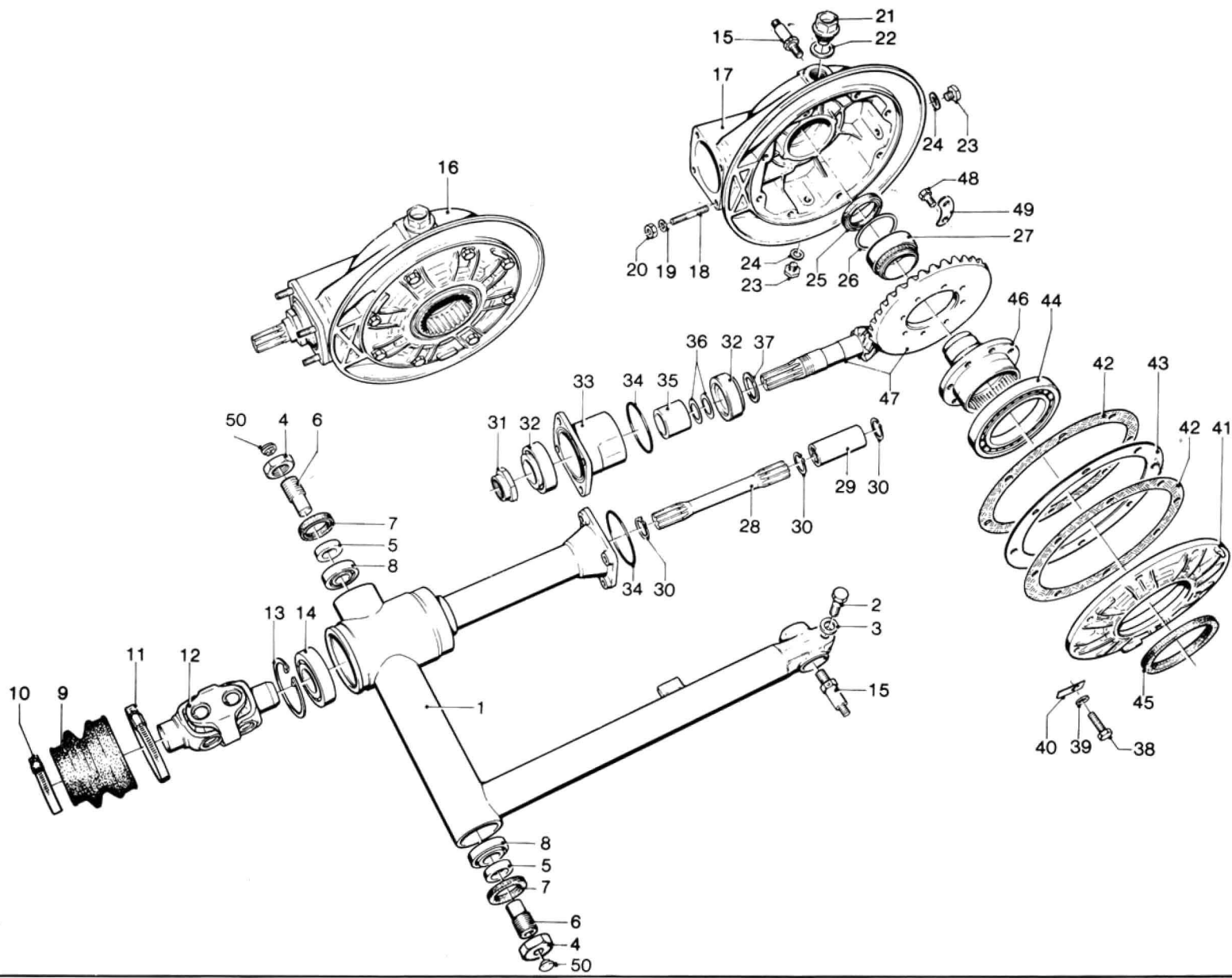
INGRANAGGI - ALBERI E COMANDO CAMBIO
GEARS - SHAFTS - CONTROLS
PIGNONS - ARBRES - COMMANDE BOITE DE VITESSES
ZAHNRAD - WELLEN - SCHALTUNG

CX 100 LM

Tavola - Drawing
Table - Bild

8

NOTE NOTES NOTES MARKE	POS. N.	N. COD. CODE No. No. CODE CODE Nr.	Q.tà Q.ty Q.té M.ge	DENOMINAZIONE	DESCRIPTION	DESIGNATION	BEZEICHNUNG
	44	55 23 50 03	3	Rosetta di aggiustaggio mm 1,2	Shim mm 1.2	Rondelle d'ajustement mm 1,2	Passscheibe mm 1,2
	45	14 23 43 00	1	Asta	Rod	Tige	Keilwellestange
	46	14 23 46 00	4	Piolo per tamburo	Drum pin	Goupille de tambour	Keilwellestift
	47	14 23 24 00	1	Asta per forcellini	Shiftfork rod	Axe de fourchette	Schaltgabelstange
	48	14 23 05 01	2	Forcellini 1a-2a-3a-4a	1st-2nd-3rd-4th shift fork	Fourchette 1ère-2ème 3ème-4ème	Schaltgabel für 1-2-3-4 Gang
	49	14 23 12 01	1	Forcellino 5a	5th shiftfork	Fourchette 5ème	Schaltgabel für 5. Gabel
	50	14 23 62 02	1	Preselettore completo	Preselection, compl.	Préselecteur complet	Vorwall, kpl.
	51	14 23 82 01	1	Molla richiamo presel.	Return spring	Ressort de rappel	Rückzugfeder
	52	98 05 23 25	1	Vite	Screw	Vis	Schraube
	53	95 02 11 06	1	Rosetta dentellata	Tooth washer	Rondelle dentée	Zahnscheibe
	54	18 25 82 01	1	Leva com. settore	Shift finger	Doigt de sélection	Schaltfinger
	55	95 50 02 22	1	Copiglia	Split pin	Goupille	Splint
	56	92 63 01 06	1	Dado	Nut	Ecrou	Mutter
	57	95 12 91 10	1	Rosetta antivibrante	Spring washer	Rondelle élastique	Federscheibe
	58	95 78 02 65	1	Spina	Pin	Clavette	Stift
	59	12 62 68 00	1	Forcellino	Fork	Fourchette	Gabel
	60	92 60 22 06	1	Dado	Nut	Ecrou	Mutter
	61	18 25 78 01	1	Tirante completo	Shift rod	Tige de commande	Schaltstange
	62	14 25 10 01	1	Pedalino gomma	Rubber protection	Couvre-pédale	Gummiüberzug
	63	17 25 09 60	1	Leva comando	Shift lever	Levier de commande	Schalthebel
	64	17 25 20 50	1	Boccola	Bush	Douille	Buchse
	65	92 70 11 20	1	Dado	Nut	Ecrou	Mutter
	66	17 25 27 50	1	Rosetta elast. ondul.	Spring washer	Rondelle élastique	Federring
	67	17 25 23 50	1	Vite	Screw	Vis	Schraube
	68	90 70 62 19	1	Guarnizione OR	Gasket	Joint	Dichtung
	69	18 25 81 01	1	Snodo sferico	Gearshift lever ball	Rotule du levier B.V.	Schalthebelgriff
	70	61 01 38 00	1	Rosetta elastica	Spring washer	Rondelle élastique	Federscheibe





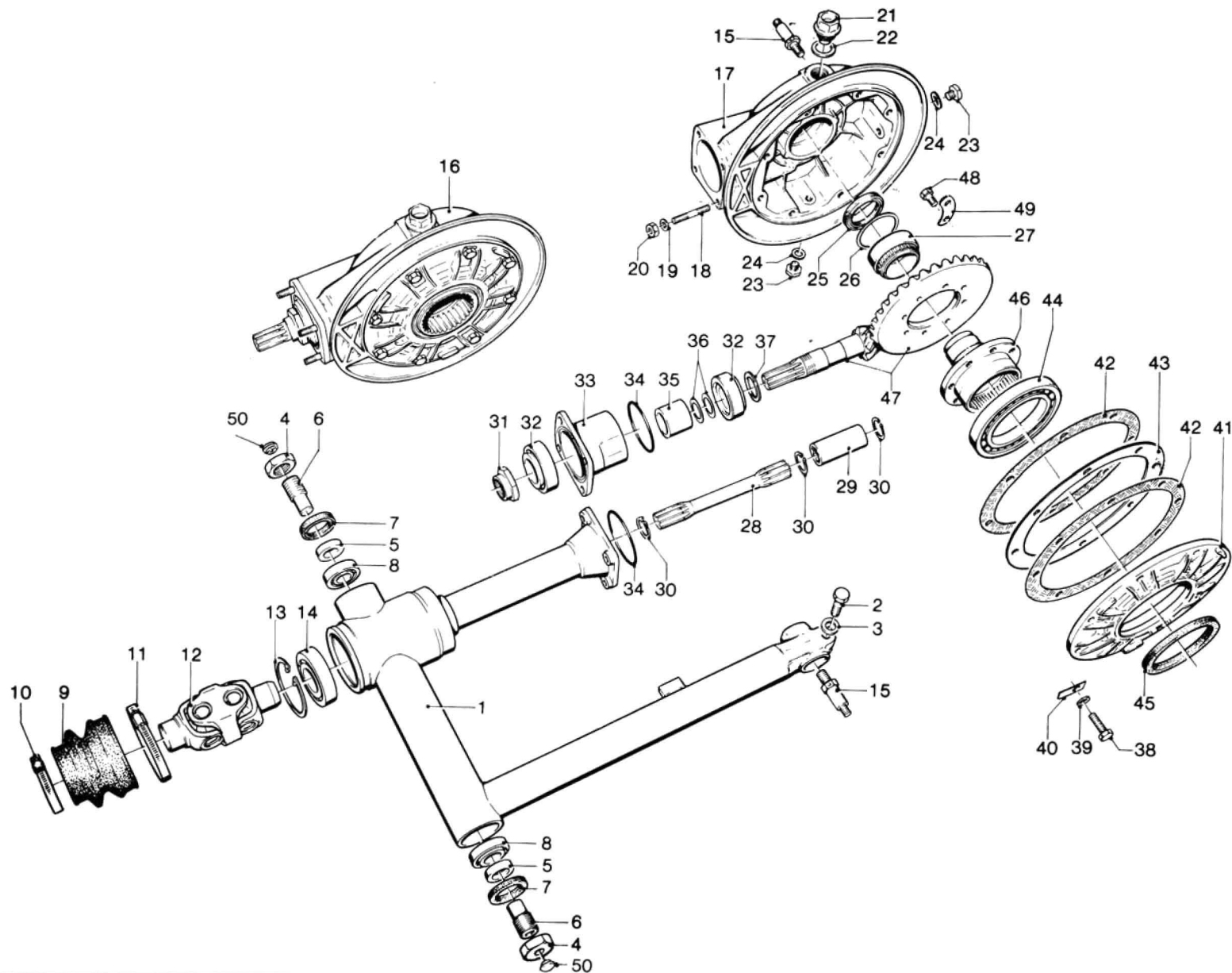
FORCELLONE OSCILLANTE - TRASMISSIONE POSTERIORE
REAR FORK AND TRANSMISSION
FOURCHE ET TRANSMISSION AR
HINTERGABEL - KRAFTÜBERTRAGUNG

CX 100 LM

Tavola - Drawing
Table - Bild

9

NOTE NOTES NOTES MARKE	POS. N.	N. COD. CODE No. No. CODE CODE Nr.	Q.tà Q.ty Q.té M.ge	DENOMINAZIONE	DESCRIPTION	DESIGNATION	BEZEICHNUNG
	1	18 54 02 00	1	Forcellone oscillante	Rear fork	Fourche AR	Hintergabel
	2	98 05 25 35	1	Vite	Screw	Vis	Schraube
	3	95 00 42 10	1	Rosetta	Washer	Rondelle	Scheibe
	4	14 54 78 00	2	Dado cieco	Nut	Ecrou borgne	Mutter
	5	12 54 72 00	2	Distanziale	Spacer	Entretoise	Distanzstück
	6	14 54 70 01	2	Perno	Pin	Goujon	Stift
	7	90 40 30 40	2	Anello di tenuta	Seal ring	Bagué d'étanchéité	Dichtring
	8	92 24 92 16	2	Cuscinetto	Bearing	Roulement	Lager
	9	18 54 80 00	1	Soffietto di protezione	Bellows	Soufflet	Faltenbag
	10	12 54 84 01	1	Fascetta piccola	Clamp	Collier	Schelle
	11	12 54 82 01	1	Fascetta grande	Clamp	Collier	Schelle
	12	17 32 80 50	1	Doppio giunto cardan.	Double joint	Joint double	Doppelverbindung
	13	90 27 20 62	1	Anello seeger	Circlip	Jonc d'arrêt	Sicherungsring
	14	92 20 42 30	1	Cuscinetto a sfere	Ball bearing	Roulement à billes	Kugellager
	15	12 55 52 01	2	Perno inferiore	Pin	Goujon	Stift
	16	17 35 02 50	1	Scatola trasm. compl.	Transmission compl.	Transmission complète	Kraftübertragung, kpl.
	17	17 35 03 00	1	Scatola trasmissione	Transm. housing	Carter de transmission	K.übertragungsgehäuse
	18	96 50 80 45	4	Vite prigioniera	Stud	Goujon	Stiftschraube
	19	14 61 59 01	4	Rosetta	Washer	Rondelle	Scheibe
	20	92 78 10 81	4	Dado	Nut	Ecrou	Mutter
	21	12 00 37 02	1	Tappo olio	Oil plug	Bouchon d'huile	Ölschraube
	22	95 10 07 09	1	Rosetta alluminio	Washer	Rondelle	Scheibe
	23	95 98 06 10	2	Tappo livello-scar. olio	Level and drain plug	Bouch. niveau et vid.	Ölmess und Ablassschr.
	24	10 52 89 00	2	Rosetta alluminio	Washer	Rondelle	Scheibe
	25	90 40 38 50	1	Anello di tenuta	Seal ring	Bague d'étanchéité	Dichtring
	26	12 35 11 00	1	Anello tenuta gabbia	Seal ring	Bague d'étanchéité	Dichtring
	27	92 25 43 40	1	Cuscinetto a rullini	Needle bearing	Roulement à aiguilles	Nadellager
	28	12 32 63 00	1	Albero trasmissione	Drive shaft	Arbre de transmission	Gelenkwelle
	29	12 32 77 00	1	Manicotto per albero	Sleeve	Manchon	Keilbüchse
	30	90 27 10 20	3	Anello elastico	Circlip	Jonc d'arrêt	Sicherungsring
	31	12 35 67 00	1	Dado	Nut	Ecrou	Mutter
	32	92 24 92 27	2	Cuscinetti a rulli con.	Taper roller bearing	Roulement conique	Kegelrollerlager





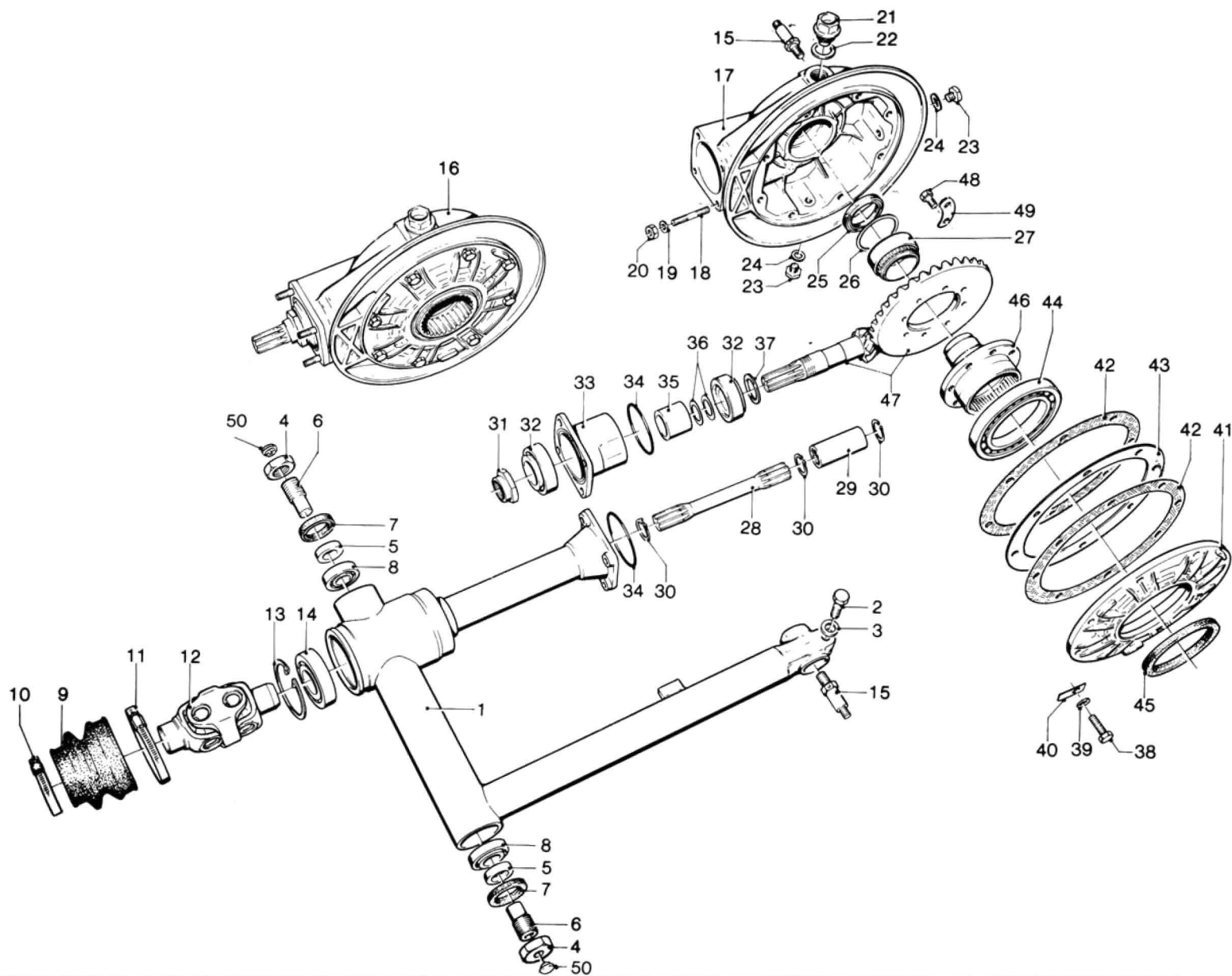
FORCELLONE OSCILLANTE - TRASMISSIONE POSTERIORE
REAR FORK AND TRANSMISSION
FOURCHE ET TRANSMISSION AR
HINTERGABEL - KRAFTÜBERTRAGUNG


CX 100 LM

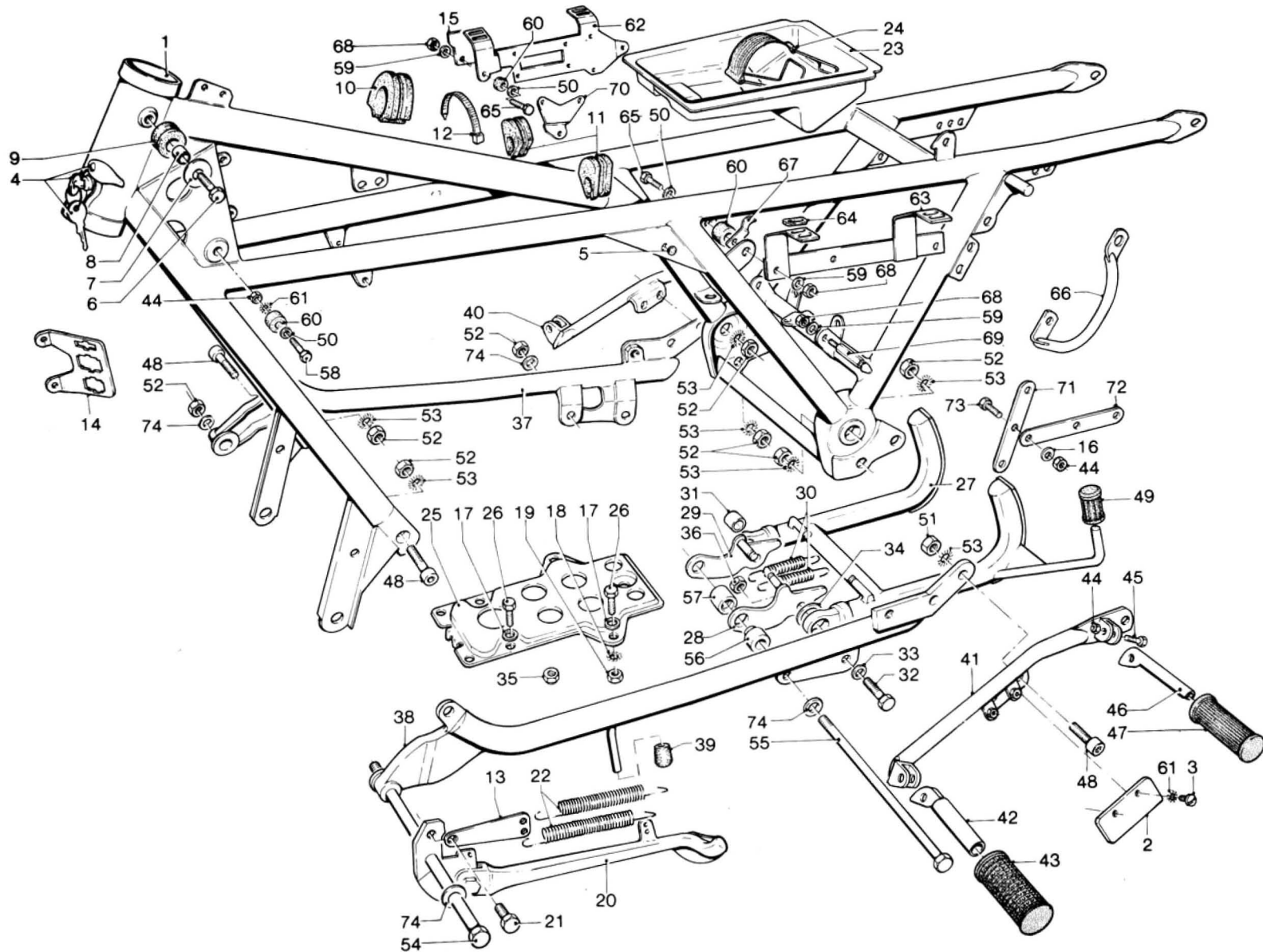
Tavola - Drawing
Table - Bild


9

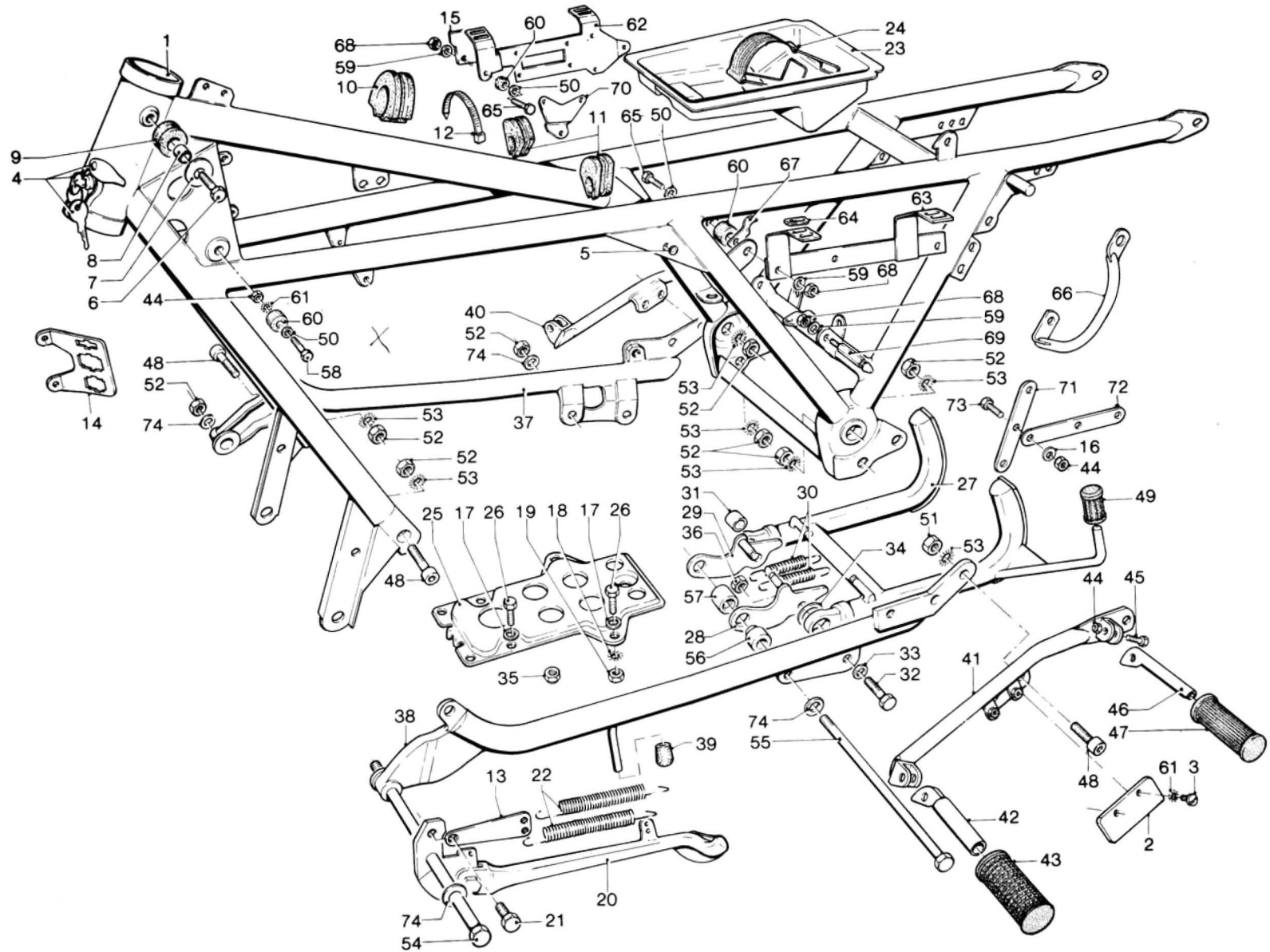
NOTE NOTES NOTES MARKE	POS. N.	N. COD. CODE No. No. CODE CODE Nr.	Q.tà Q.ty Q.té M.ge	DENOMINAZIONE	DESCRIPTION	DESIGNATION	BEZEICHNUNG
	33	18 35 24 00	1	Custodia	Flange	Flasque	Flansch
	34	90 70 65 84	2	Guarnizione	Gasket	Joint	Dichtung
	35	18 35 51 00	1	Distanziale	Spacer	Entretoise	Distanzstück
	36	12 35 52 02	1 ÷ 11	Rosetta regolazione mm 0,1	Shim mm 0.1	Rondelle d'ajustement mm 0;1	Passscheibe mm 0,1
	36	12 35 52 03	1 ÷ 2	Rosetta regolazione mm 0,15	Shim mm 0,15	Rondelle d'ajustement mm 0,15	Passscheibe mm 0,15
	37	12 35 53 01	1 ÷ 2	Spessore per pignone mm 1	Pinion shim mm 1	Cale d'épaisseur mm 1	Ausgleichscheibe mm 1
	37	12 35 53 02	1 ÷ 2	Spessore per pignone mm 1,2	Pinion shim mm 1.2	Cale d'épaisseur mm 1,2	Ausgleichscheibe mm 1,2
	37	12 35 53 03	1 ÷ 2	Spessore per pignone mm 1,5	Pinion shim mm 1.5	Cale d'épaisseur mm 1,5	Ausgleichscheibe mm 1,5
	38	98 05 44 25	8	Vite	Screw	Vis	Schraube
	39	61 27 03 00	8	Rosetta	Washer	Rondelle	Scheibe
	40	95 18 70 08	8	Piastrina di sicurezza	Lock plate	Plaquette d'arrêt	Sicherungsblech
	41	17 35 04 00	1	Flangia	Flange	Flasque	Flansch
	42	17 35 07 00	2	Guarnizione	Gasket	Joint	Dichtung
	43	17 35 54 00	1	Spessore di regolazione mm 0,8	Shim mm 0,8	Cale d'épaisseur mm 0,8	Ausgleichscheibe mm 0,8
	43	17 35 54 02	1	Spessore di regolazione mm 0,9	Shim mm 0,9	Cale d'épaisseur mm 0,9	Ausgleichscheibe mm 0,9
	43	17 35 54 04	1	Spessore di regolazione mm 1	Shim mm 1	Cale d'épaisseur mm 1	Ausgleichscheibe mm 1
	43	17 35 54 06	1	Spessore di regolazione mm 1,1	Shim mm 1,1	Cale d'épaisseur mm 1,1	Ausgleichscheibe mm 1,1
	43	17 35 54 08	1	Spessore di regolazione mm 1,2	Shim mm 1.2	Cale d'épaisseur mm 1,2	Ausgleichscheibe mm 1,2
	43	17 35 54 10	1	Spessore di regolazione mm 1,3	Shim mm 1,3	Cale d'épaisseur mm 1,3	Ausgleichscheibe mm 1,3
	44	92 20 10 70	1	Cuscinetto a sfere	Ball bearing	Roulement à billes	Kugellager
	45	90 40 70 85	1	Anello di tenuta	Seal ring	Bague d'étanchéité	Dichtring
	46	17 35 14 00	1	Perno forato	Drive flange	Bride de traction	Mitnehmerflansch
	47	17 35 46 50	1	Coppia conica 7/33	Bevel gear 7/33	Couple conique 7/33	Tellerradsatz 7/33




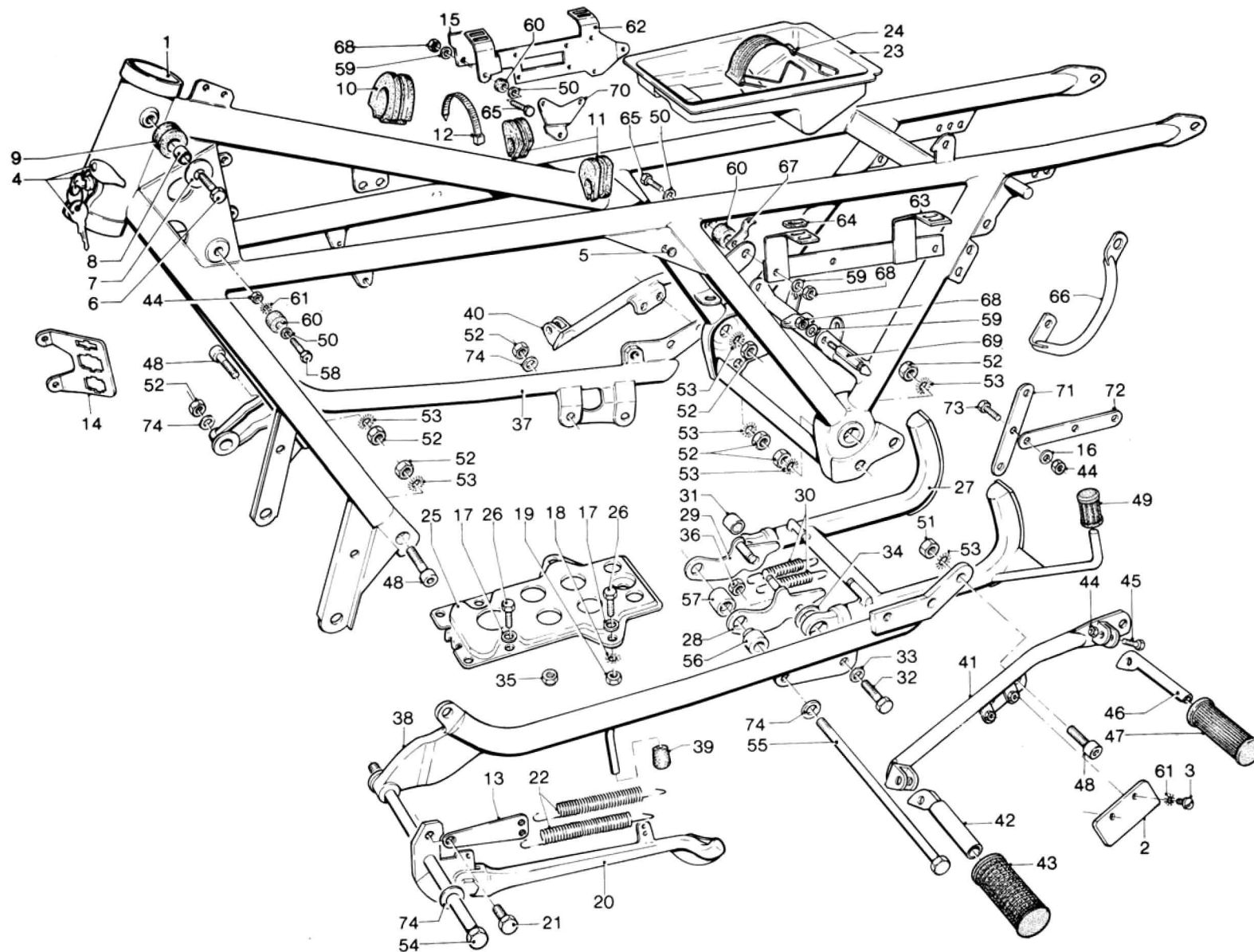
 MOTO GUZZI		FORCELLONE OSCILLANTE - TRASMISSIONE POSTERIORE REAR FORK AND TRANSMISSION FOURCHE ET TRANSMISSION AR HINTERGABEL - KRAFTÜBERTRAGUNG				CX 100 LM	
						Tavola - Drawing Table - Bild	
NOTE NOTES NOTES MARKE	POS. N.	N. COD. CODE No. No. CODE CODE Nr.	Q.tà Q.ty Q.té M.ge	DENOMINAZIONE	DESCRIPTION	DESIGNATION	BEZEICHNUNG
	48	12 35 63 00	8	Vite	Screw	Vis	Schraube
	49	12 35 64 00	4	Piastrina di sicurezza	Lock plate	Plaquette d'arrêt	Sicherungsblech
	50	93 18 01 05	2	Tappo per dado cieco	Plug	Bouchon	Stopfen




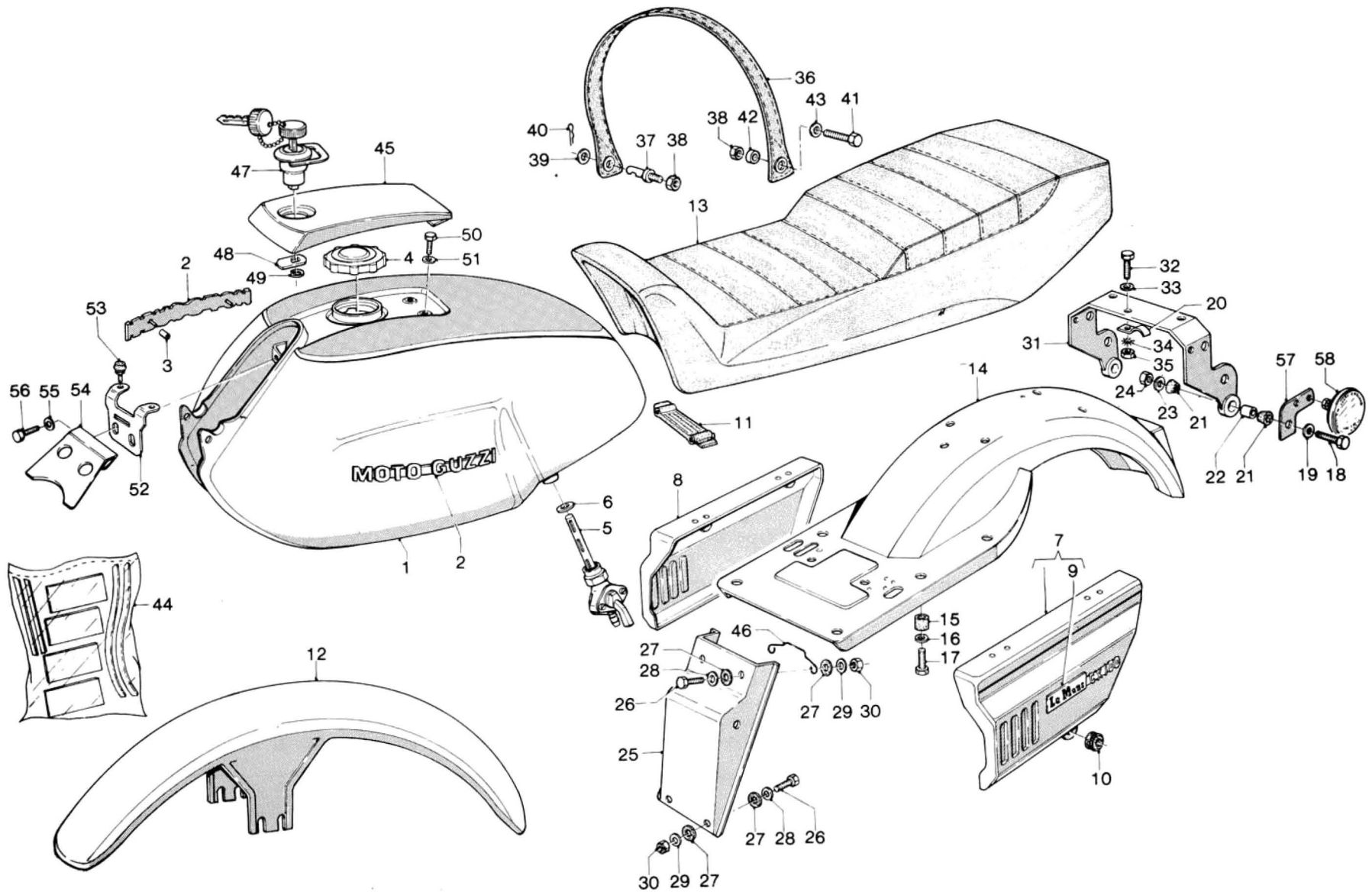
		TELAIO FRAME CHASSIS RAHMEN						CX 100 LM	
								Tavola - Drawing Table - Bild 10	
NOTE NOTES NOTES MARKE	POS. N.	N. COD. CODE No. No. CODE CODE Nr.	Q.tà Q.ty Q.té M.ge	DENOMINAZIONE	DESCRIPTION	DESIGNATION	BEZEICHNUNG		
	1	14 40 01 50	1	Telaio	Frame	Châssis	Rahmen		
	2	14 44 59 51	2	Protezione	Guard	Protection	Schutz		
	3	98 32 60 14	4	Vite	Screw	Vis	Schraube		
	4	12 78 27 80	1	Antifurto completo	Steering lock, compl.	Serrure de direct. comp.	Lenkschloss, kpl.		
	5	93 18 00 80	4	Tappo fori telaio	Plug	Bouchon	Stopfen		
	6	98 07 44 25	2	Vite	Screw	Vis	Schraube		
	7	95 00 12 08	2	Rosetta piana	Washer	Rondelle	Unterlegscheibe		
	8	91 18 08 10	2	Distanziale	Spacer	Entretoise	Distanzstück		
	9	14 10 34 00	2	Boccola	Bush	Douille	Buchse		
	10	14 10 71 00	1	Tampone centrale	Rubber buffer	Tampon de caoutch.	Gummipuffer		
	11	14 10 90 00	2	Tampone laterale	Rubber buffer	Tampon de caoutch.	Gummipuffer		
	12	14 60 96 50	3	Fascetta	Clamp	Collier	Schelle		
	13	17 43 27 61	1	Piastra aggancio molle	Plate	Plaque	Platte		
	14	14 74 97 55	1	Piastrina fiss. connet.	Plate	Plaque	Platte		
	15	17 75 04 00	1	Squadretta porta inter.	Gusset	Gousset	Vierkant		
	16	95 00 02 06	3	Rosetta piana	Washer	Rondelle	Unterlegscheibe		
	17	95 00 42 08	7	Rosetta piana	Washer	Rondelle	Unterlegscheibe		
	18	95 02 11 08	3	Rosetta elastica	Spring washer	Rondelle élastique	Federring		
	19	92 60 22 08	3	Dado	Nut	Ecrou	Mutter		
	20	17 43 20 60	1	Braccio laterale	Side stand	Bequille latérale	Seitenständer		
	21	99 10 51 29	1	Perno	Pin	Pivot	Stift		
	22	17 43 40 60	2	Molla	Spring	Ressort	Feder		
	23	17 47 96 50	1	Contenitore attrezzi	Tool box	Porte-outils	Werkzeugbehälter		
	24	17 47 97 50	1	Staffa	Belt	Sangle	Riemen		
	25	14 41 82 00	1	Piastra porta batteria	Battery plate	Plaque de batterie	Platte für Batterie		
	26	98 05 44 16	7	Vite	Screw	Vis	Schraube		
	27	17 43 03 60	1	Cavalletto	Stand	Bequille	Ständer		
	28	14 43 32 00	1	Piastra sinistra	L.H. plate	Plaque G	Platte L.		
	29	14 43 29 00	1	Piastra destra	R.H. plate	Plaque D	Platte R.		
	30	12 43 40 01	2	Molla	Spring	Ressort	Feder		
	31	14 43 35 00	2	Boccola	Bush	Douille	Buchse		
	32	98 05 25 45	2	Vite	Screw	Vis	Schraube		



		TELAIO FRAME CHASSIS RAHMEN						CX 100 LM	
		NOTE NOTES NOTES MARKE	POS. N.	N. COD. CODE No. No. CODE CODE Nr.	Q.tà Q.ty Q.té M.ge	DENOMINAZIONE	DESCRIPTION	DESIGNATION	Tavola - Drawing Table - Bild
								BEZEICHNUNG	
	33	95 00 42 10	2	Rosetta piana	Washer	Rondelle	Unterlegscheibe		
	34	14 43 34 00	2	Rondella elastica	Spring washer	Rondelle élastique	Federring		
	35	92 63 01 08	1	Dado autobloccante	Self-locking nut	Ecrou à autoblocage	Hutmutter		
	36	92 63 01 10	2	Dado	Nut	Ecrou	Mutter		
	37	17 42 03 50	1	Braccio dx per culla	R.H. arm	Bras D	Arm R.		
	38	17 42 21 50	1	Braccio sx per culla	L.H. arm	Bras G	Arm L.		
	39	14 42 38 00	1	Calotta di fermo	Rubber stop	Arrêt en caoutchouc	Gummisperre		
	40	14 44 36 53	1	Pedana dx appogg.	R.H. foot rest	Repose-pieds D	Fussraste R.		
	41	14 44 60 53	1	Pedana app.-piedi sx	L.H. foot rest	Repose-pieds G	Trittbretter, L.		
	42	14 44 13 50	2	Pedalino app.-piedi ant.	Front foot rest arm	Bras de rep.-pieds AV	Fussrastearm, Vord.		
	43	14 44 32 00	2	Pedalino gomma ant.	Foot rest, rubber	Caout. de rep.-pieds	Fussrastegummi		
	44	92 60 12 06	5	Dado	Nut	Ecrou	Mutter		
	45	98 07 23 25	4	Vite	Screw	Vis	Schraube		
	46	14 44 23 50	2	Pedalino appoggiapiedi	Foot rest arm	Bras de repose-pieds	Fussrastearm		
	47	55 44 33 85	2	Pedalino gomma post.	Foot rest, rubber	Caout. de rep.-pieds	Fussrastegummi		
	48	98 61 36 30	6	Vite	Screw	Vis	Schraube		
	49	13 43 26 40	1	Pedalino cavalletto	Foot rest for stand	Caoutchouc pour beq.	Fussrastegummi		
	50	95 10 01 21	4	Rondella piana	Washer	Rondelle	Scheibe		
	51	92 60 25 12	1	Dado	Nut	Ecrou	Mutter		
	52	92 60 23 12	7	Dado	Nut	Ecrou	Mutter		
	53	95 02 11 12	6	Rosetta elast. dentell.	Tooth washer	Rondelle dentée	Zahnscheibe		
	54	14 42 95 05	1	Tirante anteriore	Front bolt	Boulon AV	Vorne Bolzen		
	55	14 42 96 00	1	Tirante posteriore	Rear bolt	Boulon AR	Hintere Bolzen		
	56	14 42 99 00	2	Distanziatore	Spacer	Entretoise	Abstandrohr		
	57	14 42 98 00	2	Distanziatore	Spacer	Entretoise	Abstandrohr		
	58	98 05 43 20	4	Vite	Screw	Vis	Schraube		
	59	95 00 02 06	8	Rondella piana	Washer	Rondelle	Scheibe		
	60	14 10 38 00	4	Tampone	Rubber ring	Disque de caoutchouc	Gummiring		
	61	95 02 11 06	6	Rosetta dentellata	Tooth washer	Rondelle dentée	Zahnscheibe		
	62	17 42 48 50	1	Piastra dx	R.H. support plate	Equerre de soutien D	Abstützwinkel, R.		
	63	17 42 40 50	1	Piastra sx	L.H. support plate	Equerre de soutien G	Abstützwinkel, L.		



		TELAIO FRAME CHASSIS RAHMEN						CX 100 LM	
								Tavola - Drawing Table - Bild	
NOTE NOTES NOTES MARKE	POS. N.	N. COD. CODE No. No. CODE CODE Nr.	Q.tà Q.ty Q.té M.ge	DENOMINAZIONE	DESCRIPTION	DESIGNATION	BEZEICHNUNG		
	64	39 46 16 00	4	Gommino	Rubber	Caoutchouc	Gummistück		
	65	98 05 23 25	2	Vite	Screw	Vis	Schraube		
	66	14 46 43 55	1	Maniglia sollev. macch.	Handle	Poignée	Handgriff		
	67	93 30 13 13	1	Passacavo	Clamp	Guide-câble	Rohrschelle		
	68	92 63 01 06	4	Dado autobloccante	Self-locking nut	Ecrou à autoblocage	Hutmutter		
	69	17 47 85 50	2	Colonna	Pin	Goujon	Stift		
	70	17 70 99 50	1	Piastrina	Support plate	Plaquette de support	Abstutzblech		
	71	14 71 67 50	1	Piastrina	Support plate	Plaquette de support	Abstutzblech		
	72	14 70 40 50	1	Piastrina	Support plate	Plaquette de support	Abstutzblech		
	73	98 05 43 16	3	Vite	Screw	Vis	Schraube		
	74	95 00 02 13	4	Rosetta	Washer	Rondelle	Unterlegscheibe		





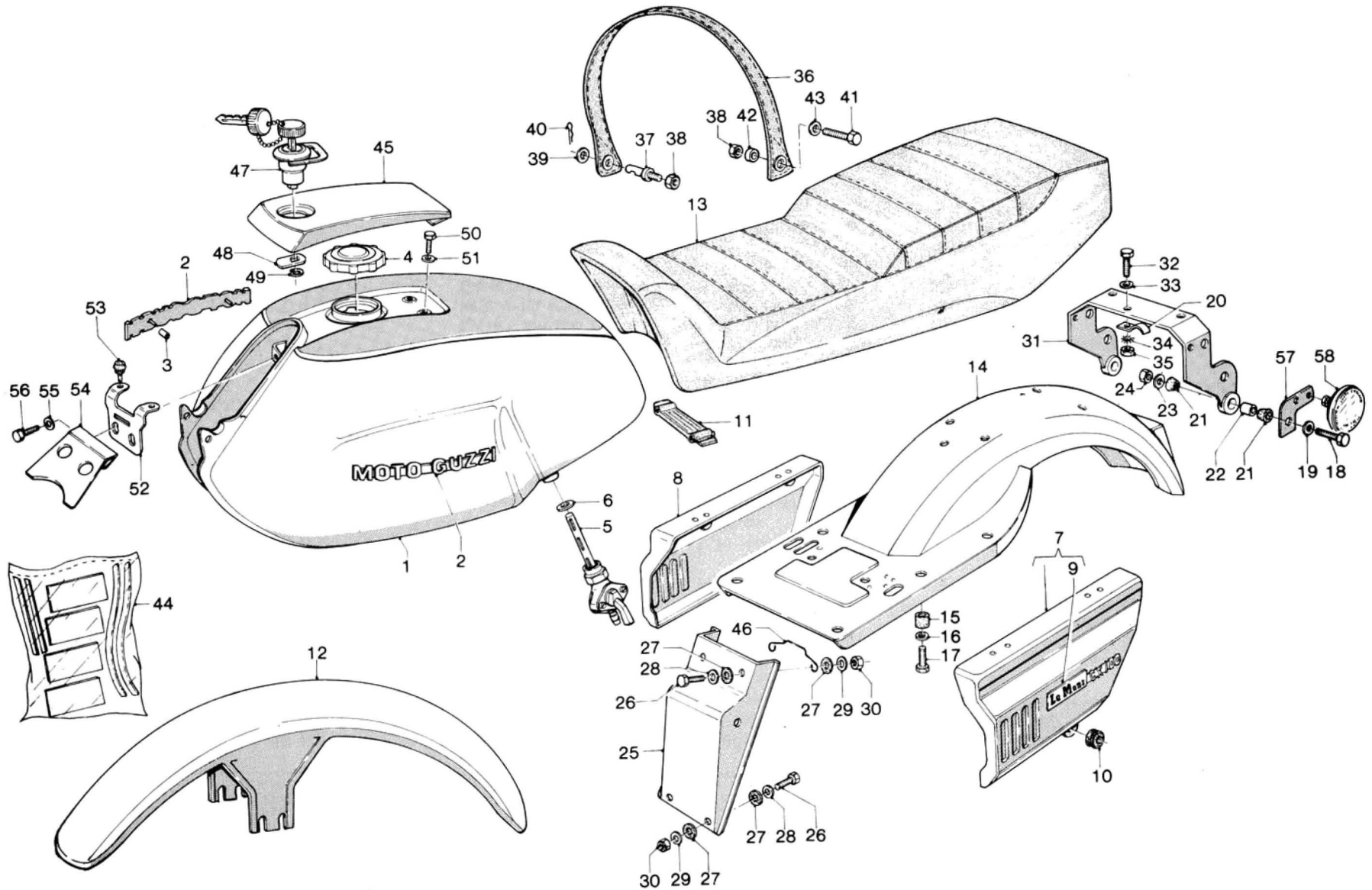
CARROZZERIA
BODY
CARROSSERIE
KAROSSERIE

CX 100 LM

Tavola - Drawing
Table - Bild

11

NOTE NOTES NOTES MARKE	POS. N.	N. COD. CODE No. No. CODE CODE Nr.	Q.tà Q.ty Q.té M.ge	DENOMINAZIONE	DESCRIPTION	DESIGNATION	BEZEICHNUNG
	1	14 10 02 57	1	Serbatoio (nero - fianchi rossi)	Fuel tank (black - red sides)	Réservoir (noir - côtes rouges)	Kraftstoffbehälter (Schwarz - Rotseiten)
	1	14 10 02 58	1	Serbatoio (nero - fianchi bianco latte)	Fuel tank (black - white sides)	Réservoir (noir - côtés blanc)	Kraftstoffbehälter (Schwarz - Weissseiten)
	2	14 91 73 00	2	Marchio	Mark	Marque	Marke
	3	14 10 51 00	4	Fermaglio per marchio	Mark clip	Agrafe pour marque	Bajonett - Clip für Marke
	4	14 10 39 55	1	Tappo serbatoio	Filler cap	Bouchon de rempliss.	Tankverschluss
	5	17 10 54 60	1	Rubinetto destro	R.H. fuel cap	Robinet D	Kraftstoffhahn, R.
	5	17 10 54 61	1	Rubinetto sinistro	L.H. fuel cap	Robinet G	Kraftstoffhahn, L.
	6	90 71 41 03	2	Guarnizione	Gasket	Joint	Dichtung
	7	14 47 63 86	1	Coperchio sx (rosso - filetto nero)	L.H. cover (red - black stripe)	Couvercle G (rouge - bordure noire)	Deckel, L. (Rot - Schwarzstreifen)
	7	14 47 63 87	1	Coperchio sx (bianco latte filetto nero)	L.H. cover (white - black stripe)	Couvercle G (blanc - bordure noire)	Deckel, L. (Weiss - Schwarzstreifen)
	8	14 47 62 86	1	Coperchio dx (rosso - filetto nero)	R.H. cover (red - black stripe)	Couvercle D (rouge - bordure noire)	Deckel, R. (Rot - Schwarzstreifen)
	8	14 47 62 87	1	Coperchio dx (bianco latte - filetto nero)	R.H. cover (white - black stripe)	Couvercle D (blanc - bordure noire)	Deckel, R. (Weiss - Schwarzstreifen)
	9	14 92 20 85	2	Marchio (decalco)	Decal	Décalcomanie	Abziehbild
	10	91 55 10 82	2	Gommino inferiore	Rubber	Caoutchouc	Gummistück
	11	14 10 26 00	1	Staffa	Belt	Sangle	Gurtband
	12	14 43 44 57	1	Parafango ant. (rosso)	Front fender (red)	Aile AV (rouge)	Vord. Kotflügel (Rot)
	12	14 43 44 58	1	Parafango anteriore (bianco latte)	Front fender (white)	Aile AV (blanc)	Vord. Kotflügel (Weiss)
	13	14 46 15 52	1	Imbottitura sella	Saddle stuffing	Rembouillage selle	Sattelpolsterung
	14	14 46 07 54	1	Supporto sella (rosso)	Saddle support (red)	Support selle (rouge)	Sattelhalter (Rot)
	14	14 46 07 56	1	Supp. sella (bianco latte)	Saddle support (white)	Support selle (blanc)	Sattelhalter (Weiss)
	15	14 10 38 00	6	Tampone per appoggio	Rubber ring	Disque en caoutchouc	Gummiring
	16	95 00 02 06	6	Ranella piana	Washer	Rondelle	Scheibe
	17	98 05 23 25	6	Vite fiss. imbottitura	Screw	Vis	Schraube
	18	98 07 24 40	2	Vite fiss. sella post.	Screw	Vis	Schraube





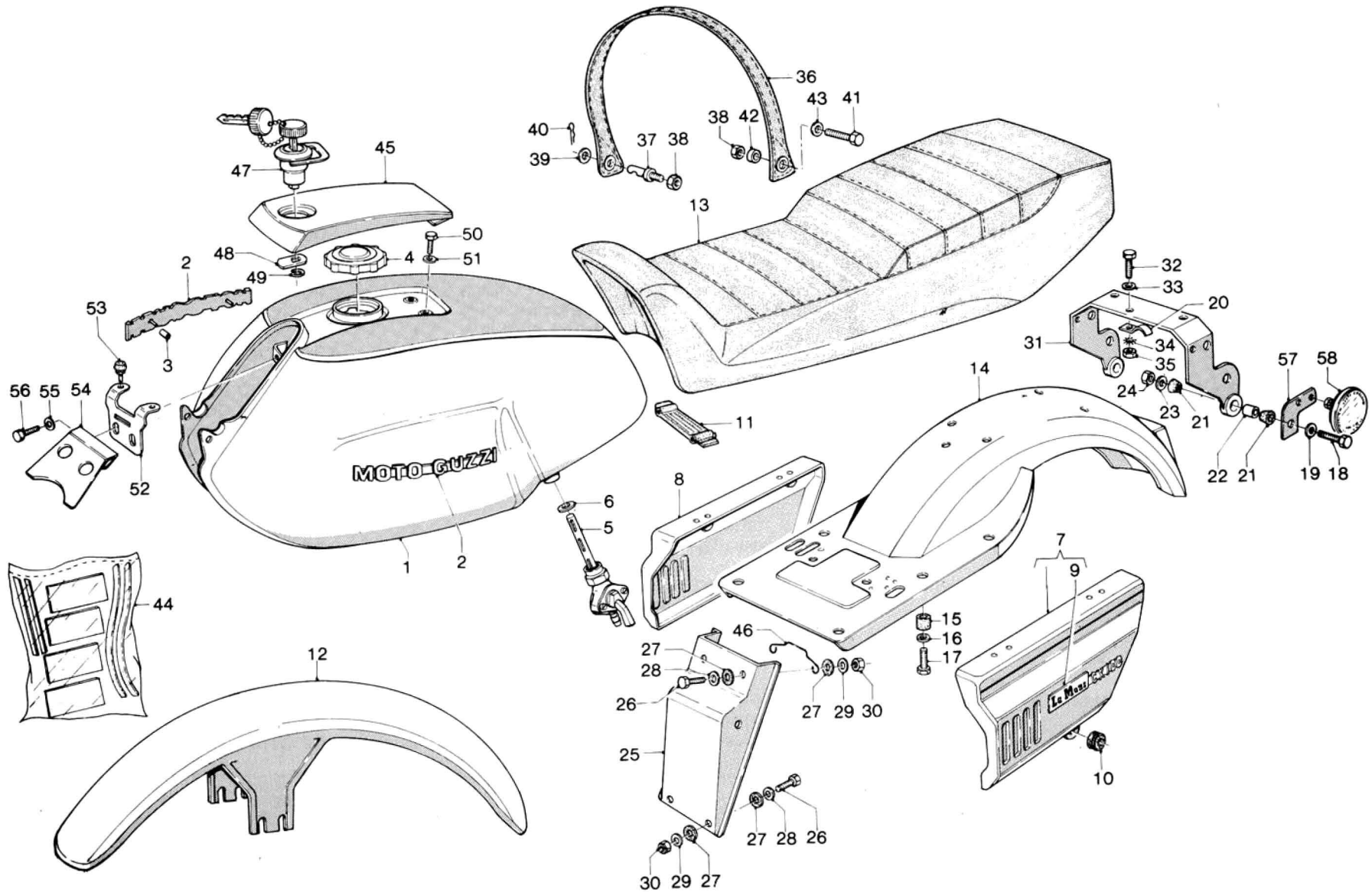
CARROZZERIA
BODY
CARROSSERIE
KAROSSERIE


CX 100 LM

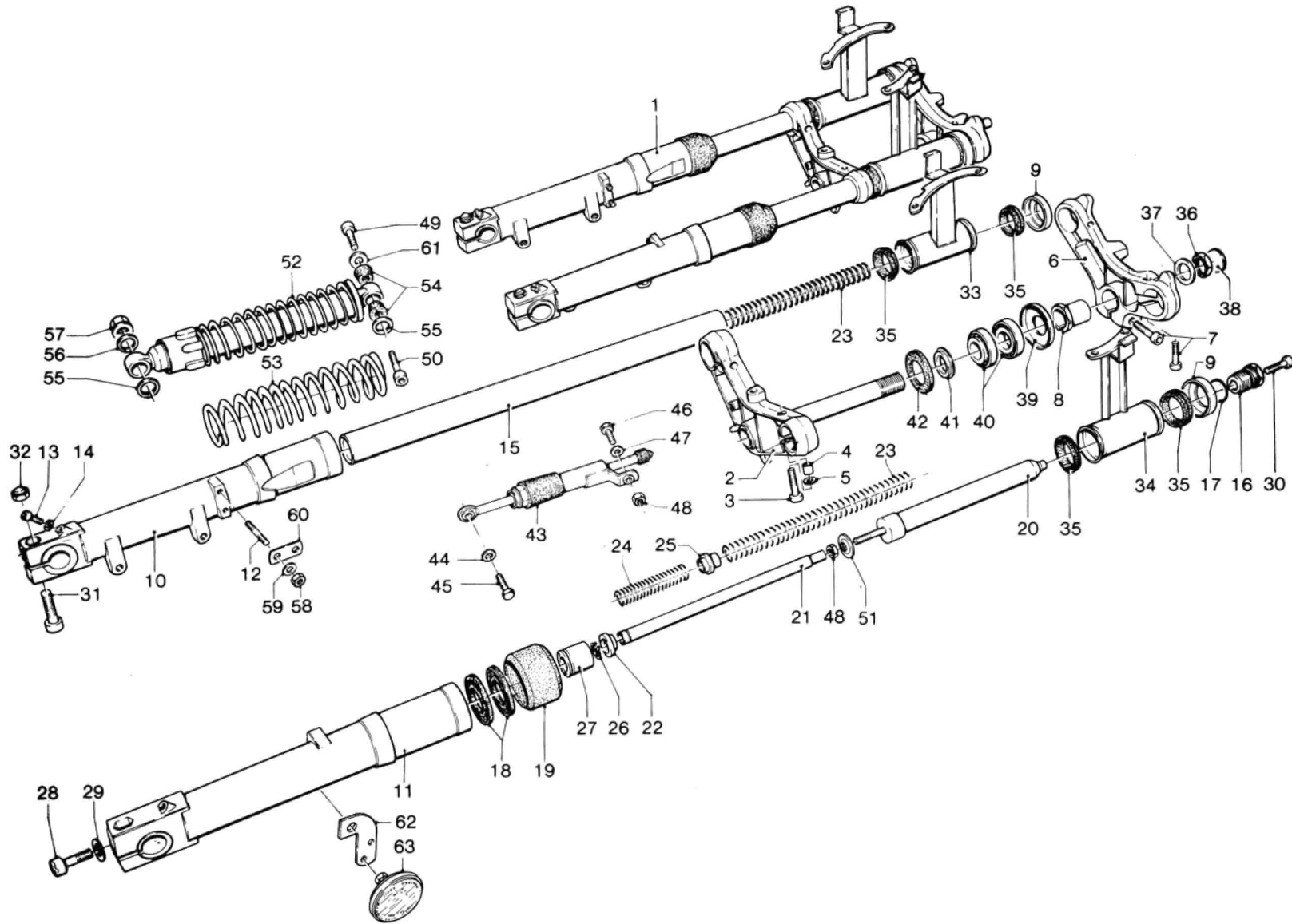
Tavola - Drawing
Table - Bild

11

NOTE NOTES NOTES MARKE	POS. N.	N. COD. CODE No. No. CODE CODE Nr.	Q.tà Q.ty Q.té M.ge	DENOMINAZIONE	DESCRIPTION	DESIGNATION	BEZEICHNUNG
	19	95 00 12 08	2	Rosetta	Washer	Rondelle	Scheibe
	20	93 30 11 75	3	Cavallotto tenuta cavi	U-bolt	Etrier	Bügelbolzen
	21	10 50 22 50	4	Elem. elast. fiss. sella	Rubber spacer	Anneau en caoutchouc	Gummipuffer
	22	91 18 09 20	2	Bussola	Bush	Douille	Buchse
	23	95 10 02 55	2	Rosetta lato dado	Washer	Rondelle	Scheibe
	24	92 63 01 08	2	Dado per vite fiss. sella	Nut	Ecrou	Mutter
	25	14 43 87 50	1	Paraspruzzi sul telaio	Wheelshield	Cache-roue	Zierdeckel
	26	98 05 43 20	4	Vite	Screw	Vis	Schraube
	27	93 11 00 60	6	Spessore gomma	Rubber spacer	Entretoise en caout.	Gummistück
	28	95 00 02 06	4	Rosetta piana	Washer	Rondelle	Scheibe
	29	95 10 01 41	2	Rosetta interna	Washer	Rondelle	Scheibe
	30	92 63 01 06	2	Dado autobloccante	Self-locking nut	Ecrou à autoblocage	Hutmutter
	31	14 46 10 50	1	Cavallotto snodabile	U-bolt	Etrier	Bügelschraube
	32	98 05 42 16	5	Vite fiss. cavallotto	Screw	Vis	Schraube
	33	95 10 00 59	5	Rosetta piana per vite	Washer	Rondelle	Scheibe
	34	95 02 11 05	5	Rosetta elast. dentell.	Tooth washer	Rondelle dentée	Zahnscheibe
	35	92 60 22 05	5	Dado per vite	Nut	Ecrou	Mutter
	36	14 46 22 50	1	Maniglia tienibene	Handle	Poignée	Handgriff
	37	17 46 25 70	1	Colonna fiss. man.	Stud	Goujon	Stiftschraube
	38	92 63 01 08	2	Dado	Nut	Ecrou	Mutter
	39	95 00 42 10	1	Rosetta est. per col.	Washer	Rondelle	Scheibe
	40	14 46 23 50	1	Spillo tenuta maniglia	Needle	Aiguille	Nadel
	41	98 05 44 30	1	Vite fiss. man. lato sx	Screw	Vis	Schraube
	42	91 18 08 05	1	Distanziale per manig.	Spacer	Entretoise	Distanzstück
	43	95 10 02 55	1	Rosetta grande	Washer	Rondelle	Unterlegscheibe
	44	14 92 33 55	1	Serie decalcomanie	Trim set	Jeu de décalcomanies	Abziehbildsatz
	45	14 10 40 55	1	Coperchietto per tappo	Plug cover	Couvercle pour bouch.	Stopfdeckel
	46	14 47 93 45	1	Gancio fiss. staffa	Hook	Crochet	Haken
	47	14 10 44 55	1	Serratura con chiavi	Lock w. keys	Serrure	Schluss mit Schlüssel
	48	18 10 50 01	1	Chiavistello	Catch	Attache	Bügel
	49	19 10 49 50	1	Fascetta elastica	Spring clamp	Collier élastique	Federschelle
	50	98 05 42 10	2	Vite fiss. coperchietto	Screw	Vis	Schraube



		CARROZZERIA BODY CARROSSERIE KAROSSERIE			CX 100 LM Tavola - Drawing Table - Bild 11		
NOTE NOTES NOTES MARKE	POS. N.	N. COD. CODE No. No. CODE CODE Nr.	Q.tà Q.ty Q.té M.ge	DENOMINAZIONE	DESCRIPTION	DESIGNATION	BEZEICHNUNG
	51	95 12 91 00	2	Rosetta elastica	Spring washer	Rondelle élastique	Federscheibe
	52	14 10 22 55	1	Squadretta tenuta cop.	Plate	Plaque	Platte
	53	93 18 07 06	2	Gommino per coperc.	Rubber	Caoutchouc	Gummistück
	54	14 10 12 55	1	Piastra chiusura tunnel	Plate	Plaque	Platte
	55	95 12 91 00	2	Rosetta	Washer	Rondelle	Unterlegscheibe
	56	98 20 25 10	2	Vite fissaggio piastra squadretta	Screw	Vis	Schraube
	57	17 78 18 65	2	Squadretta sost. catad.	Gusset	Gousset	Vierkant
	58	12 78 15 21	2	Catadiottro comp. post.	Reflector	Catadioptré	Rückstrahler





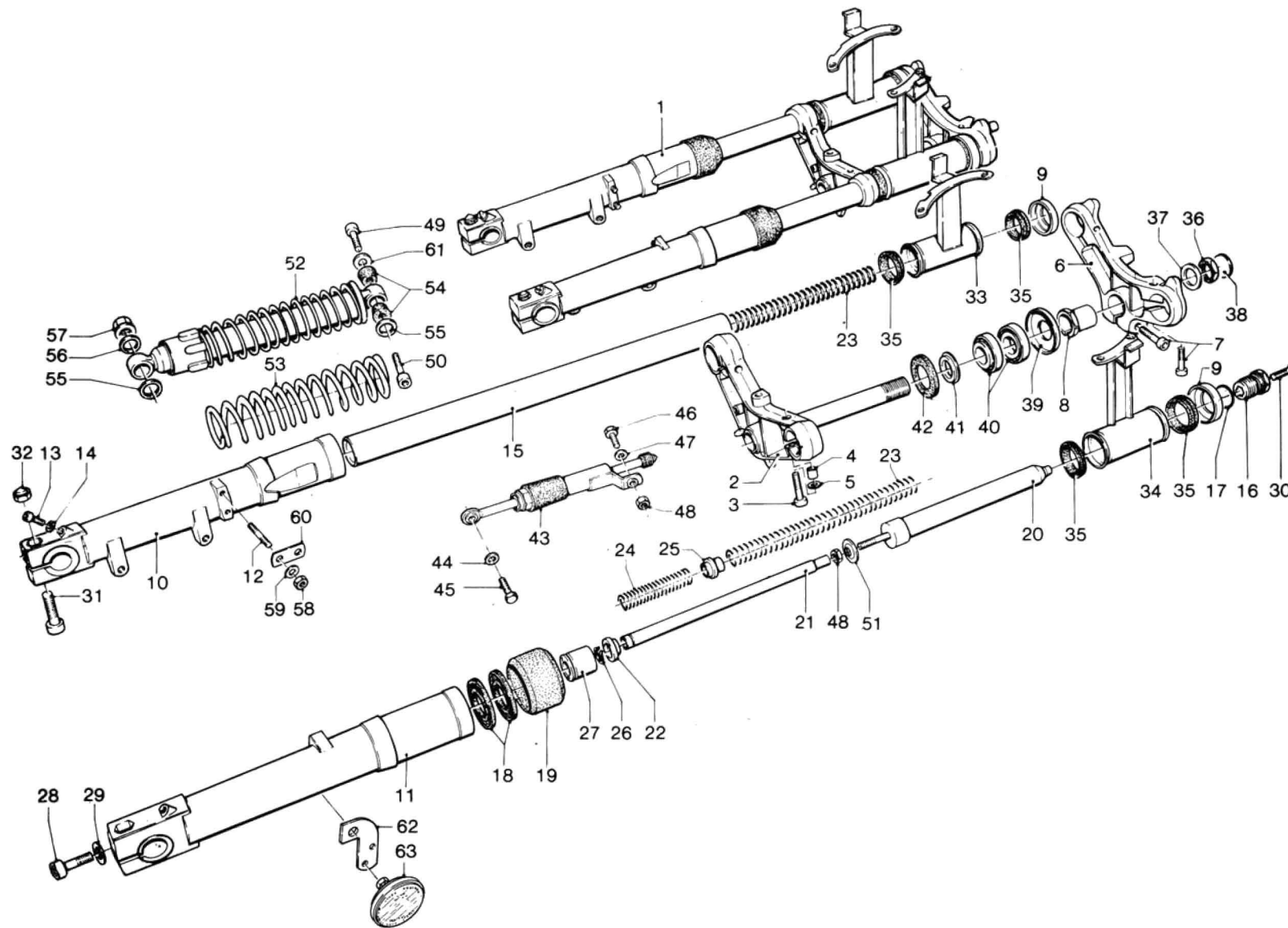
SOSPENSIONI ANTERIORI E POSTERIORI
FRONT AND REAR SUSPENSIONS
SUSPENSIONS AV ET AR
VORD. HINTERRADAUFHÄNGUNG


CX 100 LM

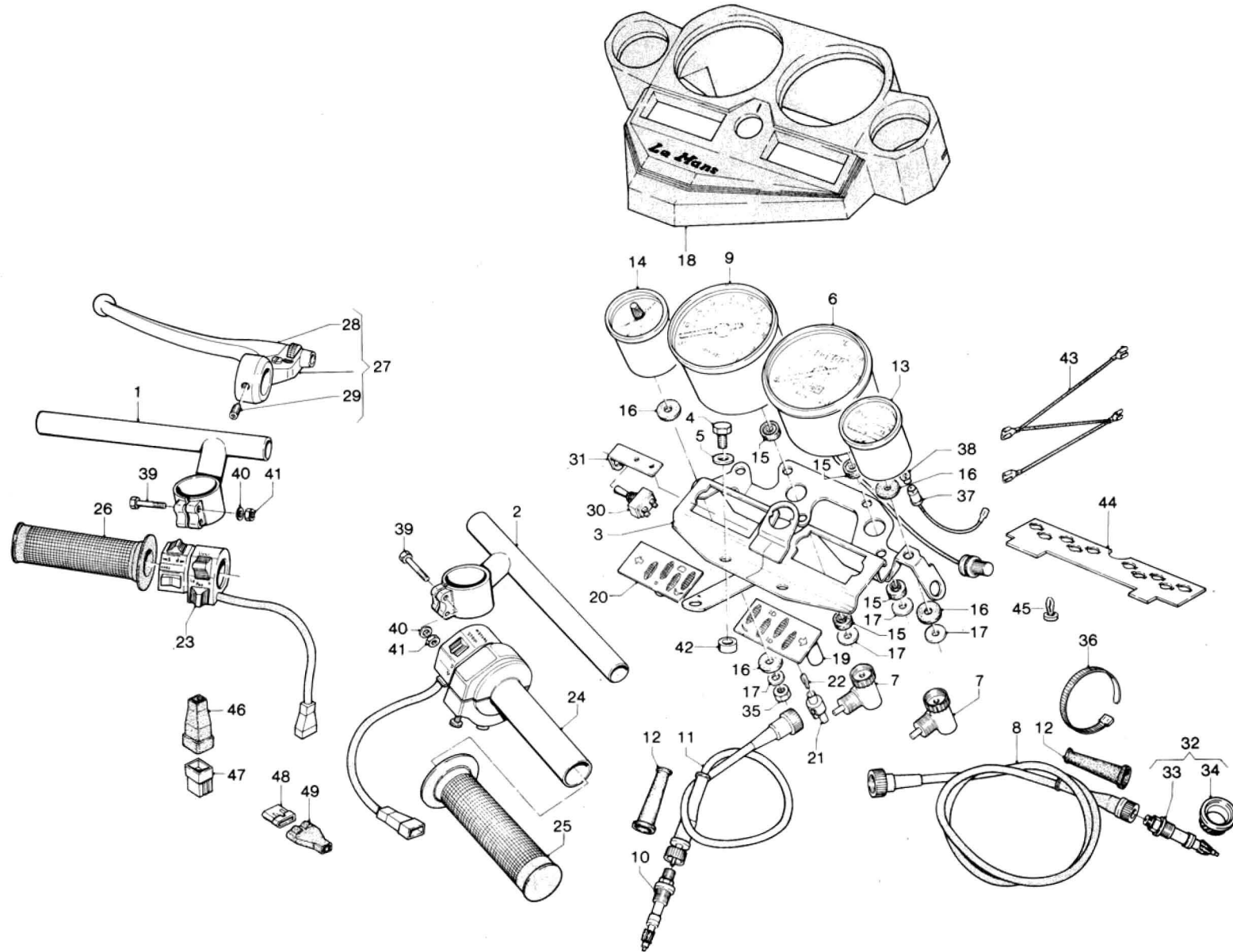
Tavola - Drawing
Table - Bild

12

NOTE NOTES NOTES MARKE	POS. N.	N. COD. CODE No. No. CODE CODE Nr.	Q.tà Q.ty Q.té M.ge	DENOMINAZIONE	DESCRIPTION	DESIGNATION	BEZEICHNUNG
	1	14 49 02 85	1	Forcella ant. compl.	Front fork, assy	Fourche AV, compl.	Vord. Gabel, kpl.
	2	18 49 40 60	1	Base forcella	Fork yoke	Chape de fourche	Gabeluntersatz
	3	98 07 25 55	2	Vite fiss. base	Screw	Vis	Schraube
	4	91 18 10 16	2	Distanziale per vite	Spacer	Entretoise	Distanzstück
	5	95 00 72 10	2	Ranella	Washer	Rondelle	Unterlegscheibe
	6	17 49 31 00	1	Testa forcella	Fork head	Tête de fourche	Gabelkopf
	7	98 61 25 35	3	Vite fiss. testa	Screw	Vis	Schraube
	8	18 51 66 60	1	Bussola bloccasterzo	Bush	Douille	Buchse
	9	14 49 23 55	2	Scodellino per anello	Cap	Coupelle	Manschette
	10	17 52 26 60	1	Gambale sx	L.H. sleeve	Chemise G	Laufbüchse, L.
	11	17 52 25 60	1	Gambale dx	R.H. sleeve	Chemise D	Laufbüchse, R.
	12	96 50 80 21	4	Prigioniero	Stud bolt	Goujon	Stiftschraube
	13	98 62 03 12	2	Vite scarico olio	Screw	Vis	Schraube
	14	95 10 01 16	2	Ranella	Washer	Rondelle	Scheibe
	15	14 52 54 01	2	Braccio forcella	Fork arm	Bras pour fourche	Gabelarm
	16	14 50 45 02	2	Tappo super. forcella	Plug	Bouchon	Stopfen
	17	90 70 62 38	2	Guarnizione per tappo	Gasket	Joint	Dichtung
	18	90 40 35 47	4	Anello di tenuta	Seal ring	Bague d'étanchéité	Dichtring
	19	14 52 45 00	2	Custodia sul gambale	Dust guard	Cache poussière	Schmutzfänger
	20	18 52 64 60	2	Ammortizzatore	Shock absorber	Amortisseur	Stossdämpfer
	21	14 52 78 00	2	Tube per asta	Tube	Tuyau	Rohr
	22	14 52 79 00	2	Estremità per asta	End	Extrémité de tige	Ende
	23	17 52 69 60	2	Molla super. sospen.	Spring	Ressort	Feder
	24	18 52 66 60	2	Molla infer. sospen.	Spring	Ressort	Feder
	25	18 52 79 60	2	Distanziale guida molle	Spacer	Entretoise	Distanzstück
	26	90 27 10 14	2	Anello seeger	Seeger ring	Bague d'étanchéité	Seegerring
	27	14 52 76 01	2	Scodellino inferiore	Lower cap	Coupelle inférieure	Unt. Manschette
	28	98 62 25 35	2	Vite fiss. tubo	Screw	Vis	Schraube
	29	10 52 89 00	2	Guarnizione	Gasket	Joint	Dichtung
	30	98 62 24 22	2	Vite fiss. ammortizz.	Screw	Vis	Schraube
	31	98 62 05 40	2	Vite fiss. gamb. e perno	Screw	Vis	Schraube
	32	92 78 11 00	2	Dado per vite	Nut	Ecrou	Mutter



		SOSPENSIONI ANTERIORI E POSTERIORI FRONT AND REAR SUSPENSIONS SUSPENSIONS AV ET AR VORD. HINTERRADAUFHÄNGUNG				CX 100 LM Tavola - Drawing Table - Bild 12		
		NOTE NOTES NOTES MARKE	POS. N.	N. COD. CODE No. No. CODE CODE Nr.	Q.tà Q.ty Q.té M.ge	DENOMINAZIONE	DESCRIPTION	DESIGNATION
	33	14 49 61 85	1	Fodero dx	R.H. stay tube	Tuyau étai D	Stützrohr, R.	
	34	14 49 62 85	1	Fodero sx	L.H. stay tube	Tuyau étai G	Stützrohr, L.	
	35	17 49 27 00	4	Anello per foderi	Ring	Bague	Ring	
	36	18 51 34 60	1	Dado fiss. testa sterzo	Nut	Ecrou	Mutter	
	37	18 51 35 60	1	Rondella per dado	Washer	Rondelle	Scheibe	
	38	17 51 77 00	1	Marchio sul dado	Mark	Marque	Marke	
	39	14 49 46 00	1	Scodellino	Cup	Coupelle	Manschette	
	40	92 24 92 25	2	Cuscinetto a rulli con.	Bearing	Roulement	Lager	
	41	14 51 67 00	1	Rondella spall. cusc.	Washer	Rondelle	Scheibe	
	42	14 51 70 00	1	Anello inf. cusc.	Ring	Bague	Ring	
	43	17 53 02 60	1	Ammortizzatore di sterzo	Shock absorber	Amortisseur	Stossdämpfer	
	44	95 10 01 21	1	Ranella per ammotiz.	Washer	Rondelle	Scheibe	
	45	98 05 23 25	1	Vite per ammotiz.	Screw	Vis	Schraube	
	46	98 05 43 20	1	Vite fiss. ammotiz.	Screw	Vis	Schraube	
	47	95 00 02 06	1	Ranella piana	Washer	Rondelle	Scheibe	
	48	92 63 01 06	3	Dado autobloccante	Self-locking nut	Ecrou à autoblocage	Hutmutter	
	49	98 07 44 16	1	Vite sup. lato dx	Screw	Vis	Schraube	
	50	98 07 44 20	1	Vite sup. lato sx	Screw	Vis	Schraube	
	51	18 52 65 60	2	Scodellino	Cup	Coupelle	Manschette	
	52	17 55 02 60	2	Sospensione post.	Rear suspension	Suspension AR	Hint. Gabel	
	53	17 55 23 60	2	Molla per sospensione	Spring	Ressort	Feder	
	54	18 55 16 50	8	Boccola in gomma	Rubber bush	Douille en caoutch.	Gummibuchse	
	55	95 00 42 15	4	Ranella int. inf. sup.	Washer	Rondelle	Scheibe	
	56	95 10 03 37	2	Ranella est. inf.	Washer	Rondelle	Scheibe	
	57	92 60 22 10	2	Dado	Nut	Ecrou	Mutter	
	58	92 60 22 08	4	Dado fiss. parafango	Nut	Ecrou	Mutter	
	59	95 00 02 08	4	Rosetta per dado	Washer	Rondelle	Scheibe	
	60	19 43 66 00	4	Piastrina att. parafango	Plate	Plaque	Platte	
	61	95 10 02 56	2	Rosetta est. superiore	Washer	Rondelle	Unterlegscheibe	
	62	17 78 18 65	2	Squadretta sostegno catadiottro	Gusset	Gousset	Vierkant	
	63	12 78 16 21	2	Catadiottro comp. ant.	Front reflector	Catadioptré AV	Vord Rückstrahler	





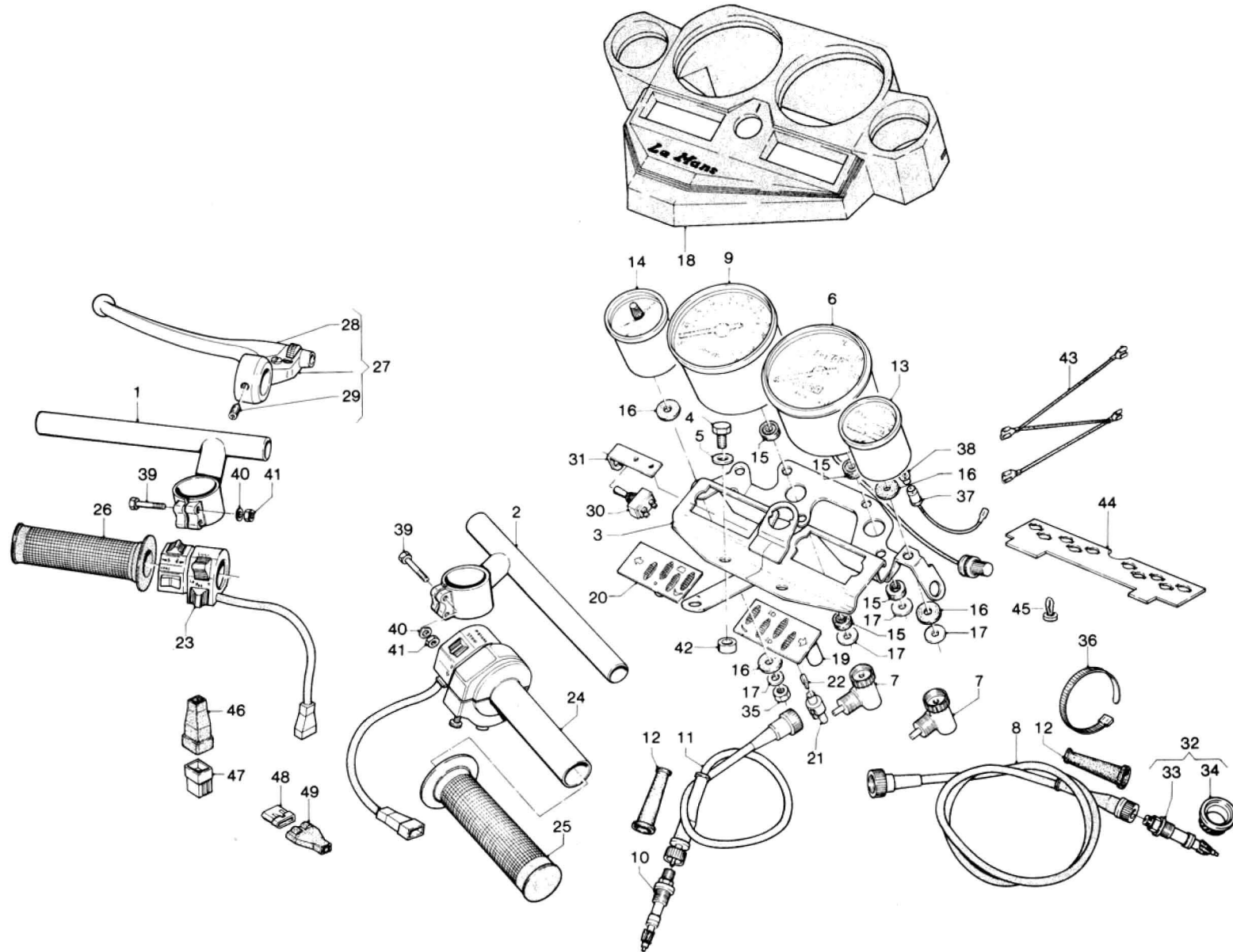
**STRUMENTAZIONI E COMANDI
INSTRUMENT PANEL AND CONTROLS
TABLEAU DE BORD ET COMMANDES
INSTRUMENTENBRETT UND KONTR. GERÄTE**

CX 100 LM

Tavola - Drawing
Table - Bild

13

NOTE NOTES NOTES MARKE	POS. N.	N. COD. CODE No. No. CODE CODE Nr.	Q.tà Q.ty Q.té M.ge	DENOMINAZIONE	DESCRIPTION	DESIGNATION	BEZEICHNUNG
	1	14 60 07 55	1	Semimanubrio sx	Half handle-bar, L.H.	Demi-guidon G	Halbblenkerstange, L.
	2	14 60 06 55	1	Semimanubrio dx	Half handle-bar, R.H.	Demi-guidon D	Halbblenkerstange, R.
	3	17 76 40 60	1	Piastra porta strumenti	Plate	Plaque	Platte
	4	98 05 24 30	2	Vite fiss. piastra	Screw	Vis	Schraube
	5	95 00 02 08	2	Ranella per vite	Washer	Rondelle	Unterlegscheibe
	6	17 76 16 60	1	Tachimetro contamiglia	Speedometer-miles ind.	Tachymèt.-Compt.miles	Tachometer Milen Zähler
	7	17 76 83 60	2	Rinvio ad angolo	Speedometer transm.	Prise tachymétrique	Tachometerantrieb
	8	12 76 04 00	1	Trasmissione contamiglia	Miles - indicator driving cable	Câble du compt.-miles	Antriebkabel für Milen - Zähler
	9	17 76 72 60	1	Contagiri	Rev. counter	Compte-tours	Drehrahlmesser
	10	14 76 92 00	1	Pignone cond. (Z=14)	Drive gear (Z=14)	Pignon (Z=14)	Ritzel (Z=14)
	11	19 76 81 00	1	Trasmissione	Rev. driving cable	Câble de compte-tours	Drehzal. Antrieb
	12	17 76 22 00	2	Guaina copritrasmis.	Cable hose	Gaine	Schutzschlauch
	13	17 78 49 60	1	Voltmetro	Voltmeter	Voltmètre	Spannungsmesser
	14	17 78 30 60	1	Orologio al quarzo	Clock	Montre	Zeituhr
	15	17 76 55 60	10	Spessore elastico fiss. strumentazione	Spacer	Entretoise	Dichtungstück
	16	17 78 39 60	4	Spessore elast. fiss. orol.	Spacer	Entretoise	Dichtungstück
	17	95 10 00 60	5	Ranella piana	Washer	Rondelle	Unterlegscheibe
	18	14 76 62 55	1	Cruscotto copristrum.	Instrument panel	Tableau de bord	Instrumentbrett
	19	14 76 58 55	1	Gruppo portaspie dx	R.H. tell-tail lights support	Support de témoins D	Lampenträger, R.
	20	14 76 59 55	1	Gruppo portaspie sx sinistro	L.H. tell-tail lights support	Support de témoins G	Lampenträger, L.
	21	14 76 86 55	8	Portalampada	Bulb socket	Pied d'ampoule	Lampenfassung
	22	93 45 01 40	8	Lampada 12V-1.2W	Bulb 12V-1.2W	Ampoule 12V-1.2W	Glühlampe 12V-1.2W
	23	14 73 80 55	1	Dispositivo com. ind. tromba e sprazzo	Indicator - horn - flash control	Comm. de clignotant avertiss. -appel phare	Kombischalter für Blink.-Horn.-Lichthupe
	24	14 60 34 55	1	Impugnatura com. gas	Throttle control	Commande de gaz	Gasdrehgriff
	25	14 60 35 00	1	Manopola destra	Handgrip, R.H.	Poignée D	Handgriff, R.
	26	14 60 30 00	1	Manopola sinistra	Handgrip, L.H.	Poignée G	Handgriff, L.
	27	19 60 55 01	1	Leva com. friz. compl.	Clutch lever, complete	Levier d'embr. compl.	Kupplungshebel, kpl.
	28	14 60 57 50	1	Leva frizione	Clutch lever	Levier d'embrayage	Kupplungshebel
	29	98 62 23 18	1	Vite fiss. supporto	Screw	Vis	Schraube





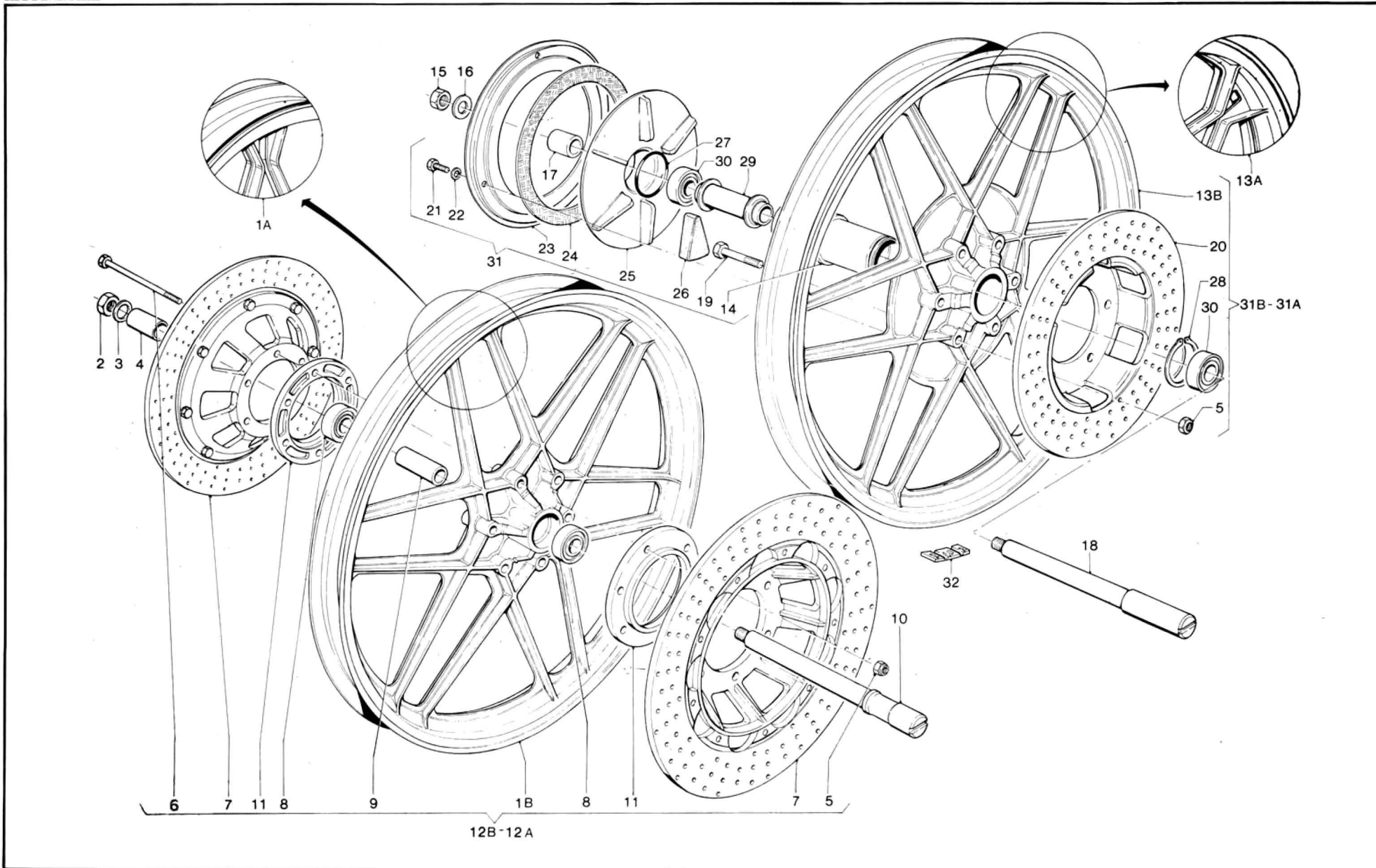
STRUMENTAZIONI E COMANDI
INSTRUMENT PANEL AND CONTROLS
TABLEAU DE BORD ET COMMANDES
INSTRUMENTENBRETT UND KONTR. GERÄTE

CX 100 LM

Tavola - Drawing
Table - Bild

13

NOTE NOTES NOTES MARKE	POS. N.	N. COD. CODE No. No. CODE CODE Nr.	Q.tà Q.ty Q.té M.ge	DENOMINAZIONE	DESCRIPTION	DESIGNATION	BEZEICHNUNG
	30	17 74 57 60	1	Commutatore inser.	Switch	Commutateur	Abblendschalter
	31	14 74 63 55	1	Piastrina supp. comm.	Plate	Plaquette	Platte
	32	14 76 25 10	1	Rinvio contakm. (Z=5/11)	Speedometer assy (Z=5/11)	Ensemble de tachymèt. (Z=5/11)	Antrieb-Km. Zähler, kpl. (Z=5/11)
	33	12 76 33 00	1	Pignone cond. (Z=11)	Drive gear (Z=11)	Pignon (Z=11)	Ritzel (Z=11)
	34	14 76 61 10	1	Corona dentata (Z=5)	Crown (Z=5)	Couronne (Z=5)	Zahnrad (Z=5)
	35	92 63 01 05	2	Dado fiss. orologio	Nut	Ecrou	Mutter
	36	49 60 96 01	4	Fascetta tenuta trasm.	Clamp	Collier	Schelle
	37	17 76 06 50	4	Portalampane	Bulbs socket	Pied d'ampoules	Lampenfassung
	38	17 76 21 50	4	Lampada 12V-3W	Bulb 12V-3W	Ampoule 12V-3W	Glühlampe 12V-3W
	39	98 62 03 35	4	Vite fiss. semimanubr.	Screw	Vis	Schraube
	40	95 00 12 05	4	Rosetta	Washer	Rondelle	Unterlegscheibe
	41	92 63 01 06	4	Dado	Nut	Ecrou	Mutter
	42	91 18 08 09	2	Distanziale per vite	Spacer	Entretoise	Distanzstück
	43	14 74 81 55	1	Gruppo cavi per massa strumenti	Cable assy	Ensemble de câbles	Kabelsatz
	44	14 76 53 55	1	Piastra circuito stampato per spie	Printed circuit	Circuit imprimé	Bedruckte Schaltung
	45	14 76 56 55	2	Tappo sostegno piastra	Plug	Bouchon	Stopfen
	46	17 75 57 00	1	Cappuccio per connettore 12 vie	Cap	Capuchon	Kappe
	47	61 74 05 51	1	Connettore 12 vie	Connection	Branchement	Steckdose
	48	17 75 60 60	1	Cappuccio per connettore 4 vie	Cap	Capuchon	Kappe
	49	17 75 61 60	1	Connettore 4 vie	Connection	Branchement	Steckdose





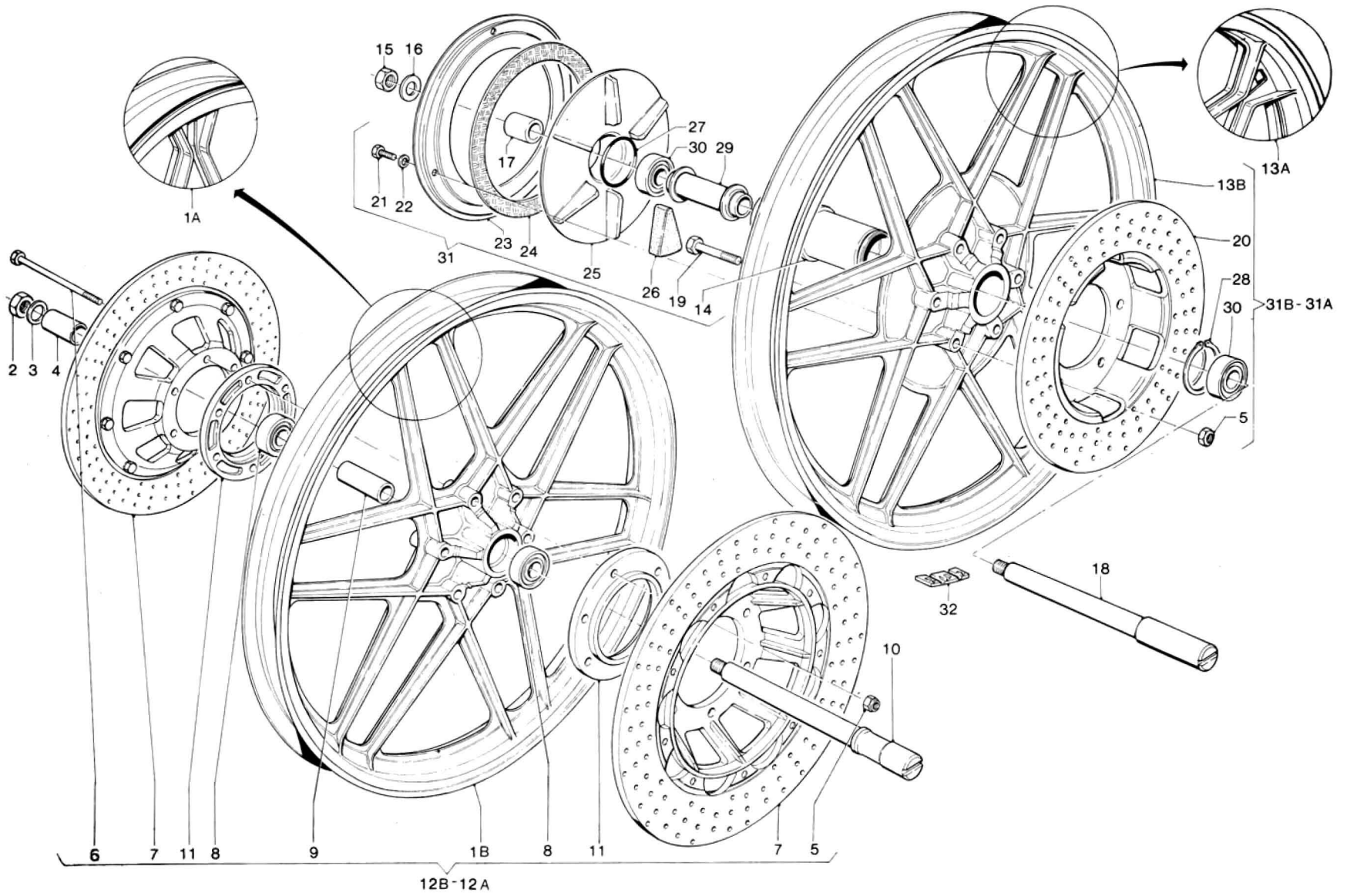
**RUOTA ANTERIORE E POSTERIORE
FRONT AND REAR WHEELS
ROUE AV ET AR
VORDERRAD - HINTERRAD**

CX 100 LM

Tavola - Drawing
Table - Bild

14

NOTE NOTES NOTES MARKE	POS. N.	N. COD. CODE No. No. CODE CODE Nr.	Q.tà Q.ty Q.té M.ge	DENOMINAZIONE	DESCRIPTION	DESIGNATION	BEZEICHNUNG
	1/A	14 61 03 51	1	Ruota ant. "FPS"	Front wheel "FPS"	Roue AV "FPS"	Vorderrad "FPS"
	1/B	14 61 03 50	1	Ruota anteriore	Front wheel	Roue AV	Vorderrad
	2	92 60 25 16	1	Dado	Nut	Ecrou	Mutter
	3	95 00 42 17	1	Rosetta	Washer	Rondelle	Scheibe
	4	14 61 63 55	1	Distanziale ruota	Spacer	Entretoise	Abstandrohr
	5	92 63 05 08	12	Dado autofren.	Nut	Ecrou	Mutter
	6	98 05 24 75	6	Vite fiss. disco	Screw	Vis	Schraube
	7	14 61 33 50	2	Dischi freno	Brake disc	Disque frein	Bremsscheibe
	8	92 20 42 21	2	Cuscinetti mozzo ruota	Bearing	Roulement	Lager
	9	14 61 52 50	1	Distanziale per ruota anteriore "FPS"	Spacer	Entretoise	Distanzstück
	9	14 61 53 50	1	Distanziale per ruota anteriore	Spacer	Entretoise	Distanzstück
	10	14 61 41 55	1	Perno ruota anteriore	Wheel axle	Axe de roue	Radasche
	11	14 61 12 55	2	Flangia fra ruota ant. e disco	Flange	Flasque	Flansch
	12/A	14 61 02 56	1	Ruota ant. com. "FPS"	Front wheel, com. "FPS"	Roue AV, com. "FPS"	Vorderrad, kpl. "FPS"
	12/B	14 61 02 55	1	Ruota ant. compl.	Front wheel, compl.	Roue AV, compl.	Vorderrad, kpl.
	13/A	14 63 06 51	1	Ruota post. "FPS"	Rear wheel "FPS"	Roue AR "FPS"	Hinterrad "FPS"
	13/B	14 63 06 50	1	Ruota posteriore	Rear wheel	Roue AR	Hinterrad
	14	14 63 22 50	1	Mozzo per ruota	Wheel hub	Moyeu de roue	Radnabe
	15	92 60 23 16	1	Dado	Nut	Ecrou	Mutter
	16	14 63 44 00	1	Anello lato scatola	Washer	Rondelle	Scheibe
	17	17 63 41 50	1	Distanziale	Spacer	Entretoise	Abstandsrohr
	18	17 63 33 60	1	Perno per ruota	Wheel axle	Axe de roue	Radachse
	19	98 05 24 50	6	Vite fiss. disco	Screw	Vis	Schraube
	20	14 63 57 50	1	Disco freno posteriore	Rear disc	Disque AR	Hinterbremsscheibe
	21	98 05 43 20	3	Vite	Screw	Vis	Schraube
	22	95 02 11 06	3	Rosetta	Washer	Rondelle	Scheibe
	23	14 33 56 50	1	Flangia	Flange	Flasque	Flansch
	24	14 33 53 50	1	Anello di attrito	Ring	Bague	Ring
	25	14 33 52 03	1	Disco parastrappi	Elastic coupling	Joint élastique	Elast. Kupplung
	26	14 33 68 03	12	Elemento parastrappi	Rubber coupling	Joint en caoutchouc	Gummikupplung





RUOTA ANTERIORE E POSTERIORE
FRONT AND REAR WHEELS
ROUE AV ET AR
VORDERRAD - HINTERRAD

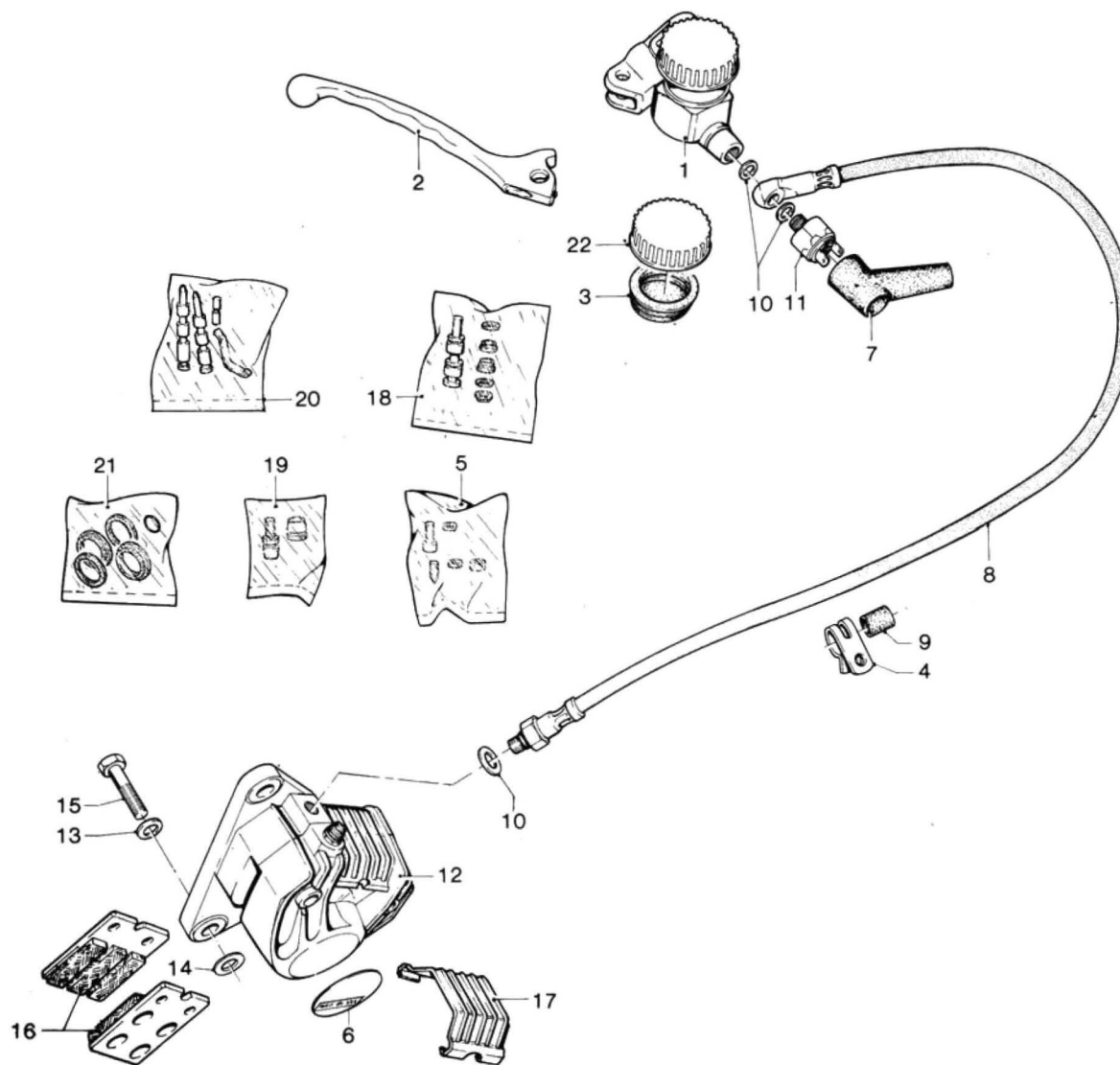
CX 100 LM

Tavola - Drawing
Table - Bild

14

NOTE NOTES NOTES MARKE	POS. N.	N. COD. CODE No. No. CODE CODE Nr.	Q.tà Q.ty Q.té M.ge	DENOMINAZIONE	DESCRIPTION	DESIGNATION	BEZEICHNUNG
	27	90 70 64 90	1	Guarnizione OR	Gasket	Joint	Dichtung
	28	90 27 10 55	1	Anello seeger (55e)	Circlip (55e)	Jonc d'arrêt (55e)	Seegerring (55e)
	29	14 63 40 50	1	Distanziale completo	Spacer, compl.	Entretoise, compl.	Abstandsrohr, kpl.
	30	92 20 42 20	2	Cuscinetto mozzo	Bearing	Roulement	Lager
	31/A	14 63 02 51	1	Ruota post.com. "FPS"	Rear wheel, com. "FPS"	Roue AR com. "FPS"	Hinterrad, kpl. "FPS"
	31/B	14 63 02 50	1	Ruota post. compl.	Rear wheel, compl.	Roue AR compl.	Hinterrad, kpl.
	32	14 61 61 50	1÷2	Massa contrappeso	Balance weight	Masse additive	Gewichtsausgleich







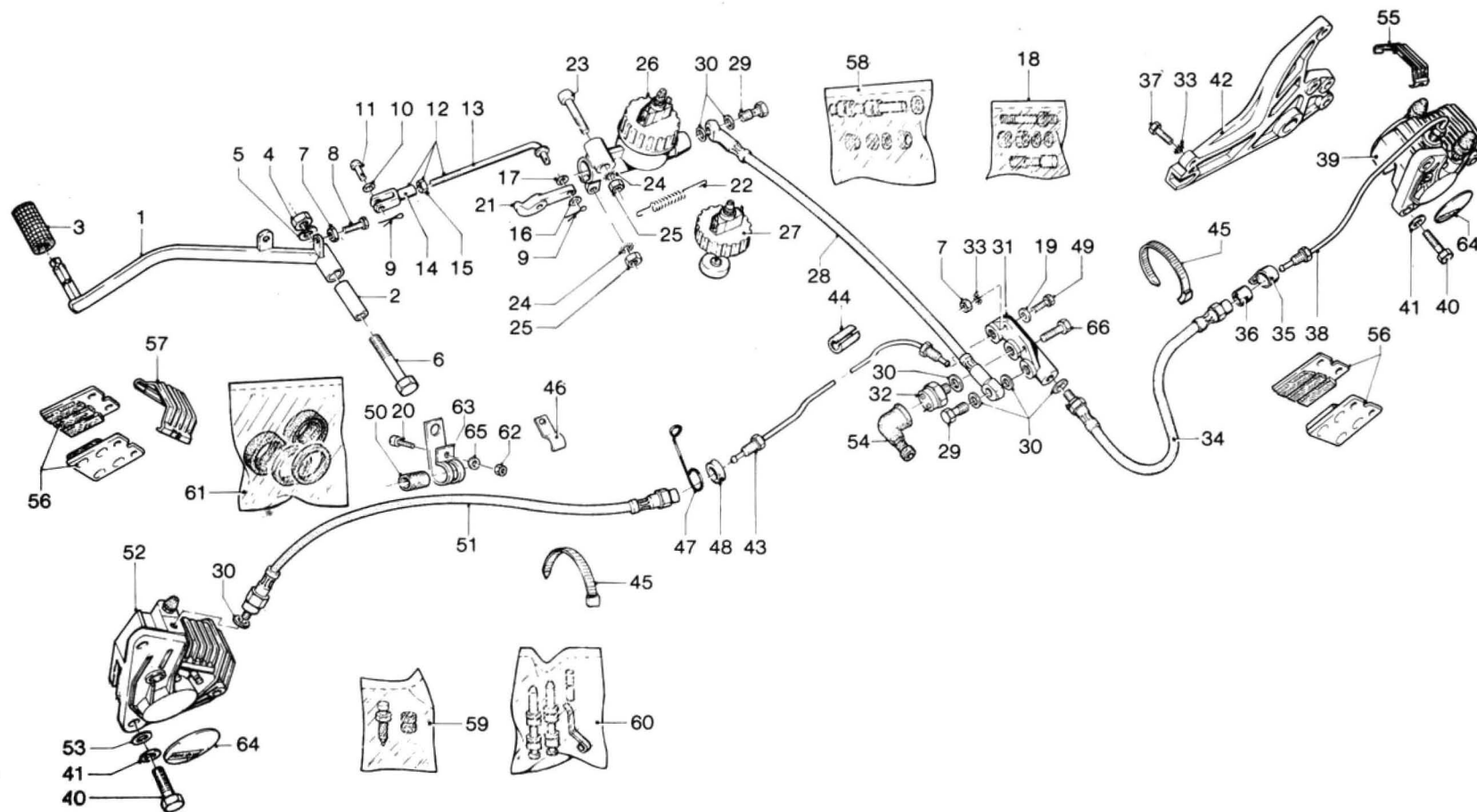
COMANDO FRENO ANTERIORE DESTRO
R.H. FRONT BRAKE CONTROL
COMMANDE DE FREIN AV DROIT
VORDERBREMSSTEUERUNG, R.

CX 100 LM

Tavola - Drawing
 Table - Bild

15

NOTE NOTES NOTES MARKE	POS. N.	N. COD. CODE No. No. CODE CODE Nr.	Q.tà Q.ty Q.té M.ge	DENOMINAZIONE	DESCRIPTION	DESIGNATION	BEZEICHNUNG
	1	17 66 02 53	1	Pompa serb. trasp.	Master cylinder	Maître-cylindre	Bremszylinder
	2	14 60 56 50	1	Leva com. fr. ant. dx	Hand lever	Levier à main	Handhebel
	3	17 66 13 52	1	Membrana a soffiutto	Membrane	Membrane	Membran
	4	17 65 84 60	1	Fascetta tubazione	Clamp	Collier	Schelle
	5	17 65 94 50	1	Gruppo revis. viti per leva	Screws kit	Kit de vis	Schraube - Rep. Satz
	6	14 65 49 00	1	Decalcomania per pinza	Decal	Décalcomanie	Abziehbild
	7	14 66 38 50	1	Cappuccio pompa freno	Dust cap	Pare-poussière	Staubkappe
	8	17 65 71 61	1	Tubazione flessibile	Flexible hose	Tuyau flexible	Bremsschlauch
	9	17 65 82 60	1	Anello fascia e tubo	Ring	Bague	Ring
	10	25 65 61 00	3	Guarnizione mm 1	Gasket mm 1	Joint mm 1	Dichtung mm 1
	10	25 65 61 01	3	Guarnizione mm 1,25	Gasket mm 1.25	Joint mm 1,25	Dichtung mm 1,25
	10	25 65 61 02	3	Guarnizione mm 1,5	Gasket mm 1.5	Joint mm 1,5	Dichtung mm 1,5
	11	14 65 70 50	1	Interruttore idraulico	Stop light switch	Contacteur de stop	Stoplichtschalter
	12	17 65 23 60	1	Pinza anteriore dx	R.H. front brake caliper	Etrier AV D	Vord. Festsattel, R.
	13	95 00 42 10	2	Rosetta	Washer	Rondelle	Scheibe
	14	95 10 03 32	0-4	Rosetta di spallam. (mm 0,5)	Spacer washer (mm 0.5)	Rondelle d'épaulement (mm 0,5)	Einsteilscheibe (mm 0,5)
	14	95 10 03 33	0-4	Rosetta di spallam. (mm 0,8)	Spacer washer (mm 0.8)	Rondelle d'épaulement (mm 0,8)	Einsteilscheibe (mm 0,8)
	15	98 05 45 30	2	Vite	Screw	Vis	Schraube
	16	17 65 46 61	2	Pastiglie freno Ferit I/D 332	Pad Ferit I/D 332	Patins de frein Ferit I/D 332	Bremsbelag Ferit I/D 332
	17	17 65 47 60	1	Coperchio per pinza	Cover	Couvercle	Deckel
	18	17 65 93 52	1	Gruppo revisione pom.	Master cylinder kit	Kit de maître-cylindre	Hauptbremszyl. - Rep. Satz
	19	17 65 92 60	1	Gruppo revis. spurgo	Screws kit	Kit de vis	Schraube - Rep. Satz
	20	14 65 91 00	1	Gruppo revis. past.	Pins kit	Kit de pivots	Bremsbelag - Rep. Satz
	21	14 65 90 00	1	Gruppo revis. pinze	Seals kit	Kit de joints	Dichtung - Rep. Satz
	22	17 66 11 52	1	Coperchio pompa	Master cyl. cover	Couvercle maître-cyl.	Bremszylinderdeckel,





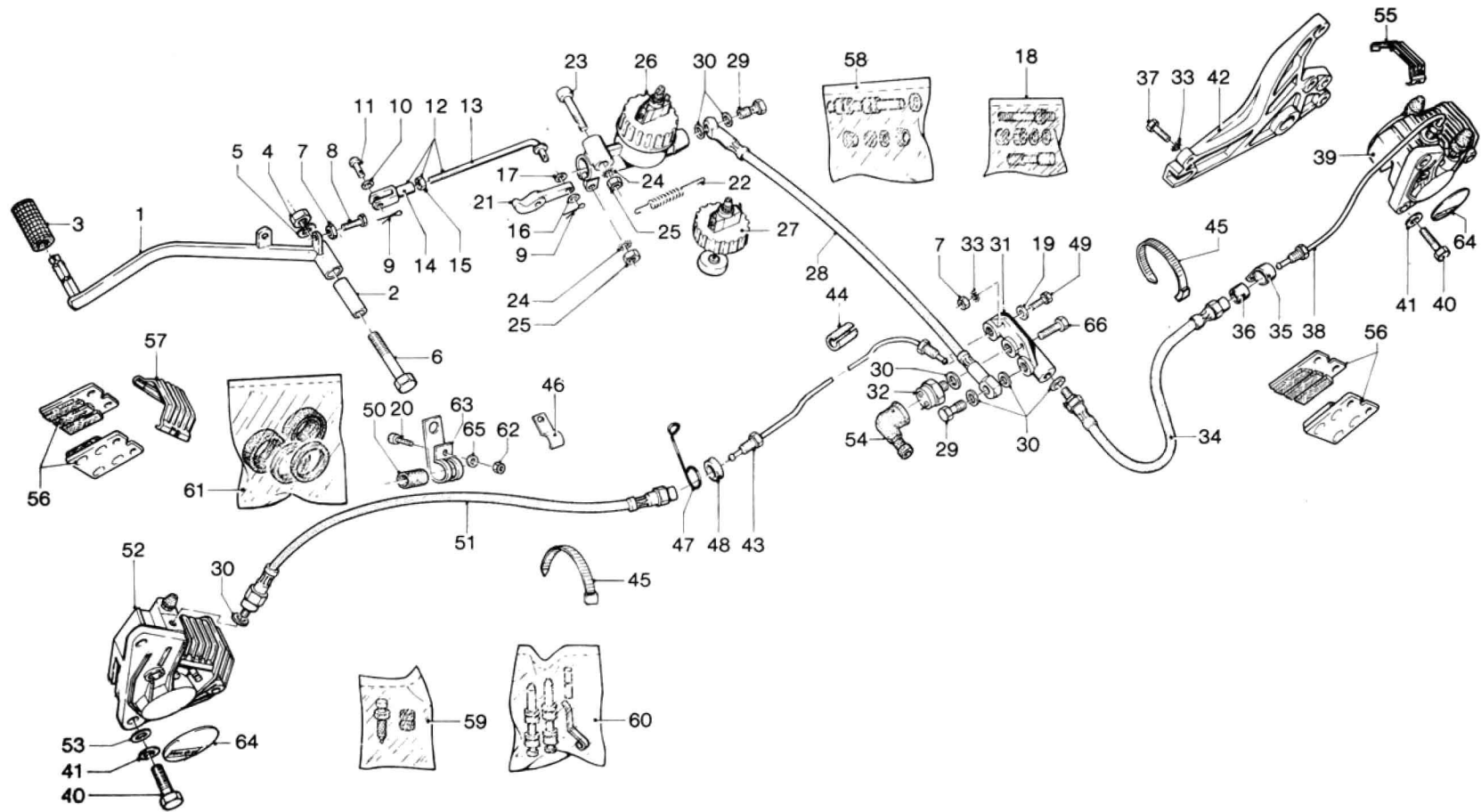
COMANDO FRENO POSTERIORE E ANTERIORE SINISTRO
REAR AND L.H. FRONT BRAKE CONTROL
COMMANDE DE FREIN AR ET AV G
HINT. L. VORDERBREMSSTEUERUNG

CX 100 LM

Tavola - Drawing
Table - Bild

16

NOTE NOTES NOTES MARKE	POS. N.	N. COD. CODE No. No. CODE CODE Nr.	Q.tà Q.ty Q.té M.ge	DENOMINAZIONE	DESCRIPTION	DESIGNATION	BEZEICHNUNG
	1	17 67 70 61	1	Leva a pedale com. fr.	Brake pedal	Pédale de frein	Bremsfüßshebel
	2	17 25 20 50	1	Boccola per leva	Bush	Douille	Buchse
	3	14 25 10 01	1	Pedalino gomma	Pedal rubber	Caoutchouc de pédale	Gummigleitschutze
	4	92 70 11 20	1	Dado	Nut	Ecrou	Mutter
	5	17 25 27 50	1	Rosetta elast. ondul.	Spring washer	Rondelle élastique	Federring
	6	17 25 23 50	1	Vite	Screw	Vis	Schraube
	7	92 60 22 06	3	Dado	Nut	Ecrou	Mutter
	8	98 05 43 20	1	Vite registro leva	Lever adj. screw	Vis de réglage levier	Hebel Einstellschraube
	9	95 50 02 22	2	Copiglia	Splint pin	Goupille	Splint
	10	95 12 91 10	1	Rosetta antivibrante	Shake proof washer	Rondelle éventail	Unterlegscheibe
	11	95 78 02 65	1	Spina	Pin	Pivot	Bundbolzen
	12	17 67 50 51	1	Tirante com. freni	Connecting rod	Tige intermédiaire	Zwischenstange
	13	17 67 51 51	1	Tirante	Connecting rod	Tige intermédiaire	Zwischenstange
	14	95 74 01 71	1	Forcellino	Fork	Fourchette	Gabel
	15	92 70 00 73	1	Dado	Nut	Ecrou	Mutter
	16	95 10 01 73	1	Rosetta	Washer	Rondelle	Unterlegscheibe
	17	95 12 91 30	1	Rosetta antivibrante	Shake proof washer	Rondelle éventail	Unterlegscheibe
	18	14 65 94 50	1	Gruppo revisione viti pompa	Pump screws kit	Kit de vis pompe	Pumpe Schraube
	19	95 00 12 06	2	Rosetta piana	Washer	Rondelle	Rep. Satz Unterlegscheibe
	20	98 05 42 16	1	Vite	Screw	Vis	Schraube
	21	17 66 75 51	1	Leva com. pompa	Control lever	Levier de commande	Schalthebel
	22	17 66 76 51	1	Molla	Spring	Ressort	Feder
	23	98 62 04 40	1	Vite	Screw	Vis	Schraube
	24	95 02 11 08	2	Rosetta elast. dentell.	Tooth washer	Rondelle dentée	Zahnscheine
	25	92 60 22 08	2	Dado	Nut	Ecrou	Mutter
	26	18 66 70 50	1	Pompa com. freni	Master cylinder	Maître-cylindre	Hauptbremszylinder
	27	18 66 74 50	1	Coperchio pompa	Cover	Couvercle	Deckel
	28	17 65 85 50	1	Tubazione	Flexible hose	Tuayu flexible	Bremsschlauch
	29	95 99 00 33	2	Vite cava	Hollow screw	Vis creuse	Hohlschraube
	30	25 65 61 00	7	Guarnizione	Gasket	Joint	Dichtung
	31	17 66 80 50	1	Ripartitore posteriore	Distributor	Raccord	Verteiler





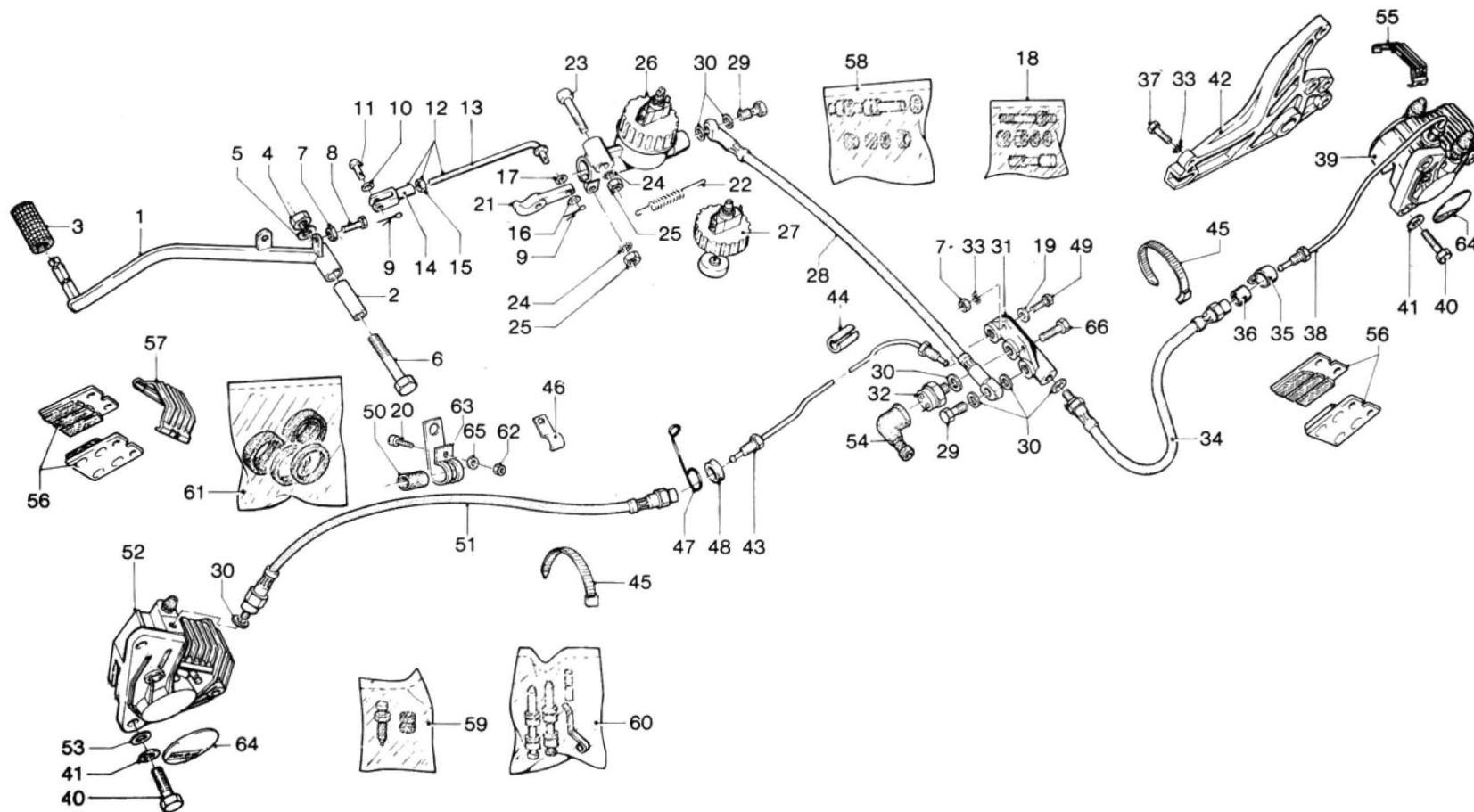
COMANDO FRENO POSTERIORE E ANTERIORE SINISTRO
REAR AND L.H. FRONT BRAKE CONTROL
COMMANDE DE FREIN AR ET AV G
HINT. L. VORDERBREMSTEUERUNG

CX 100 LM

Tavola - Drawing
Table - Bild

16

NOTE NOTES NOTES MARKE	POS. N.	N. COD. CODE No. No. CODE CODE Nr.	Q.tà Q.ty Q.té M.ge	DENOMINAZIONE	DESCRIPTION	DESIGNATION	BEZEICHNUNG
	32	63 65 70 00	1	Interruttore idraulico	Stop light switch	Contacteur de stop	Stoplichtschalter
	33	95 02 11 06	3	Rosetta elast. dentell.	Tooth washer	Rondelle dentée	Zahnscheibe
	34	17 65 75 50	1	Tubazione flessibile	Flexible hose	Tuyau flexible	Bremsschlauch
	35	62 43 65 00	1	Supporto tubazione	Bracket	Support	Stütze
	36	90 71 61 42	1	Anello elastico	Rubber grommet	Douille en caoutchouc	Gummitülle
	37	98 05 43 14	1	Vite	Screw	Vis	Schraube
	38	17 65 86 50	1	Tubazione rigida	Rigid pipe	Tuyau rigide	Rohrleitung
	39	14 65 30 01	1	Pinza posteriore	Rear caliper	Etrier AR	Hinterfestsattel
	40	98 05 45 30	4	Vite	Screw	Vis	Schraube
	41	95 00 42 10	4	Rosetta	Washer	Rondelle	Scheibe
	42	18 63 58 60	1	Staffa	Bracket	Chape	Träger
	43	17 65 87 50	1	Tubazione rigida	Rigid pipe	Tuyau rigide	Rohrleitung
	44	17 65 96 50	1	Fascia elastica	Clamp	Collier	Klemme
	45	14 60 96 50	2	Fascetta	Hose clip	Collier	Schlauchbinder
	46	93 30 13 13	1	Cavallotto	Clamp	Guide-câble	Befestigungschelle
	47	17 65 97 50	1	Occhiello	Bracket	Support	Stütze
	48	91 55 11 20	1	Anello tubazione	Rubber grommet	Douille en caoutchouc	Gummitülle
	49	98 07 43 20	2	Vite	Screw	Vis	Schraube
	50	17 65 82 60	1	Anello gomma	Rubber ring	Bague en caoutchouc	Gummiring
	51	17 65 88 60	1	Tubazione flessibile	Flexible hose	Tuyau flexible	Bremsschlauch
	52	17 65 22 60	1	Pinza anteriore sx	L.H. front caliper	Etrier AV G	Vorderfestsattel, L.
	53	95 10 03 32	0÷4	Rosetta di spallamento (mm 0,5)	Spacer washer (mm 0.5)	Rondelle d'épaulement (mm 0,5)	Einstellscheibe (mm 0,5)
	53	95 10 03 33	0÷4	Rosetta di spallamento (mm 0,8)	Spacer washer (mm 0.8)	Rondelle d'épaulement (mm 0,8)	Einstellscheibe (mm 0,8)
	54	12 73 51 00	1	Cappuccio interr.	Cap	Capuchon	Kappe
	55	14 65 47 00	1	Coperchio pinza post.	Cover	Couvercle	Deckel
	56	17 65 46 61	4	Pastiglie ant. e post. Ferit I/D 332	Front and rear pads Ferit I/D 332	Patins de frein AV-AR Ferit I/D 332	Vord. und Hinterbremsbelag Ferit I/D 332
	57	17 65 47 60	1	Coperchio pinza ant.	Cover	Couvercle	Deckel
	58	17 65 93 50	1	Gruppo revis. pompa	Master cylinder kit	Kit de maître-cylindre	Hauptbremszyl. - Rep. Satz
	59	17 65 92 60	1	Gruppo revis. spurgo	Screws kit	Kit de vis	Schrauben - Rep. Satz
	60	14 65 91 00	1	Gr. rev. past. pinza	Pins kit	Kit de pivots	Bremsbelag - Rep. Satz





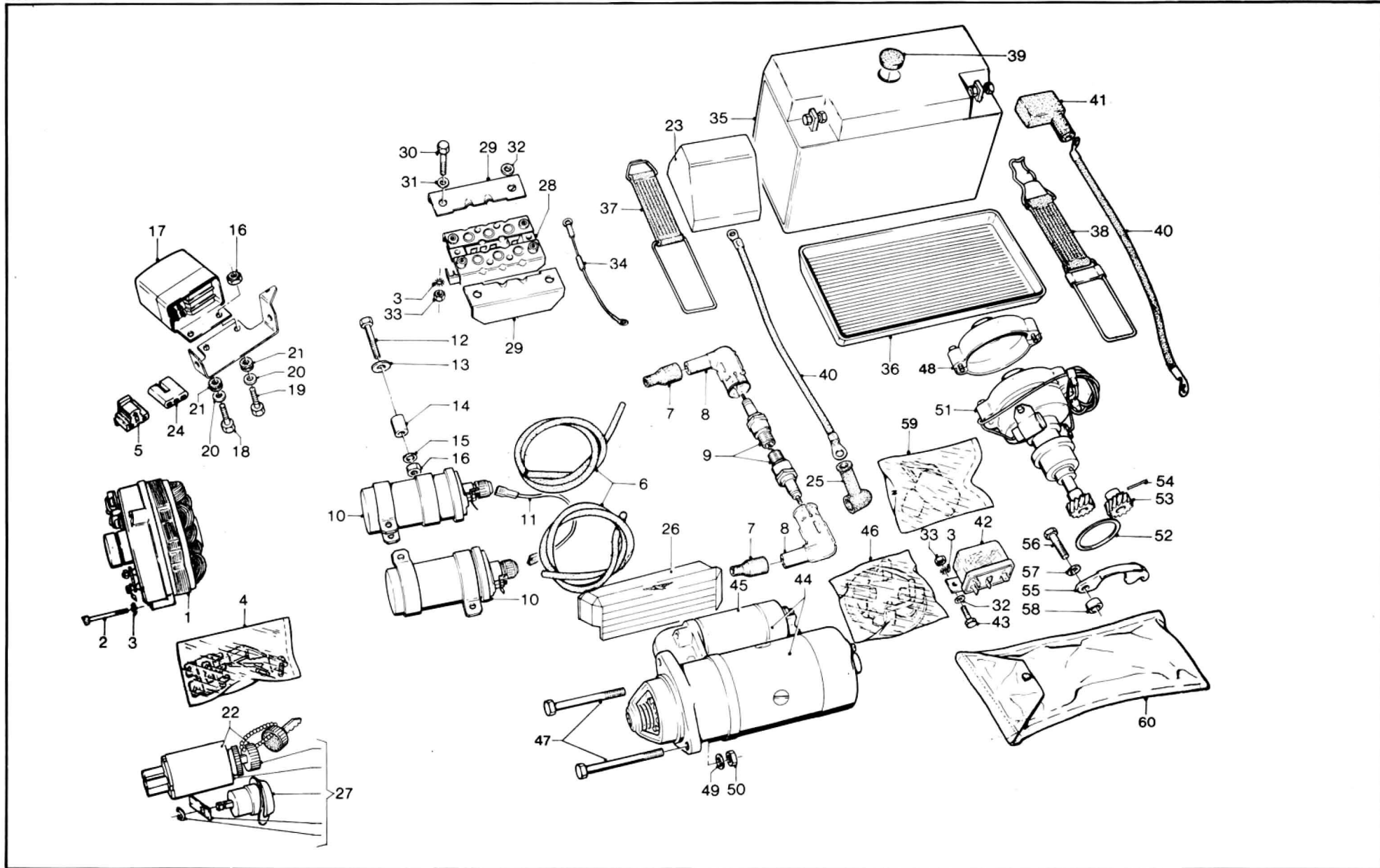
COMANDO FRENO POSTERIORE E ANTERIORE SINISTRO
REAR AND L.H. FRONT BRAKE CONTROL
COMMANDE DE FREIN AR ET AV G
HINT. L. VORDERBREMSTEUERUNG

CX 100 LM

Tavola - Drawing
Table - Bild

16

NOTE NOTES NOTES MARKE	POS. N.	N. COD. CODE No. No. CODE CODE Nr.	Q.tà Q.ty Q.té M.ge	DENOMINAZIONE	DESCRIPTION	DESIGNATION	BEZEICHNUNG
	61	14 65 90 00	1	Gruppo rev. pinza	Seals kit	Kit de joints	Dichtung - Rep. Satz
	62	92 60 22 05	1	Dado	Nut	Ecrou	Mutter
	63	17 65 83 60	1	Fascetta	Clamp	Collier	Schelle
	64	14 65 49 00	2	Decalcom. per pinze	Decal	Décalcomanie	Abziehbild
	65	95 00 02 05	1	Ranella	Washer	Rondelle	Unterlegscheibe
	66	98 07 23 25	1	Vite fiss. rip. e man.	Screw	Vis	Schraube





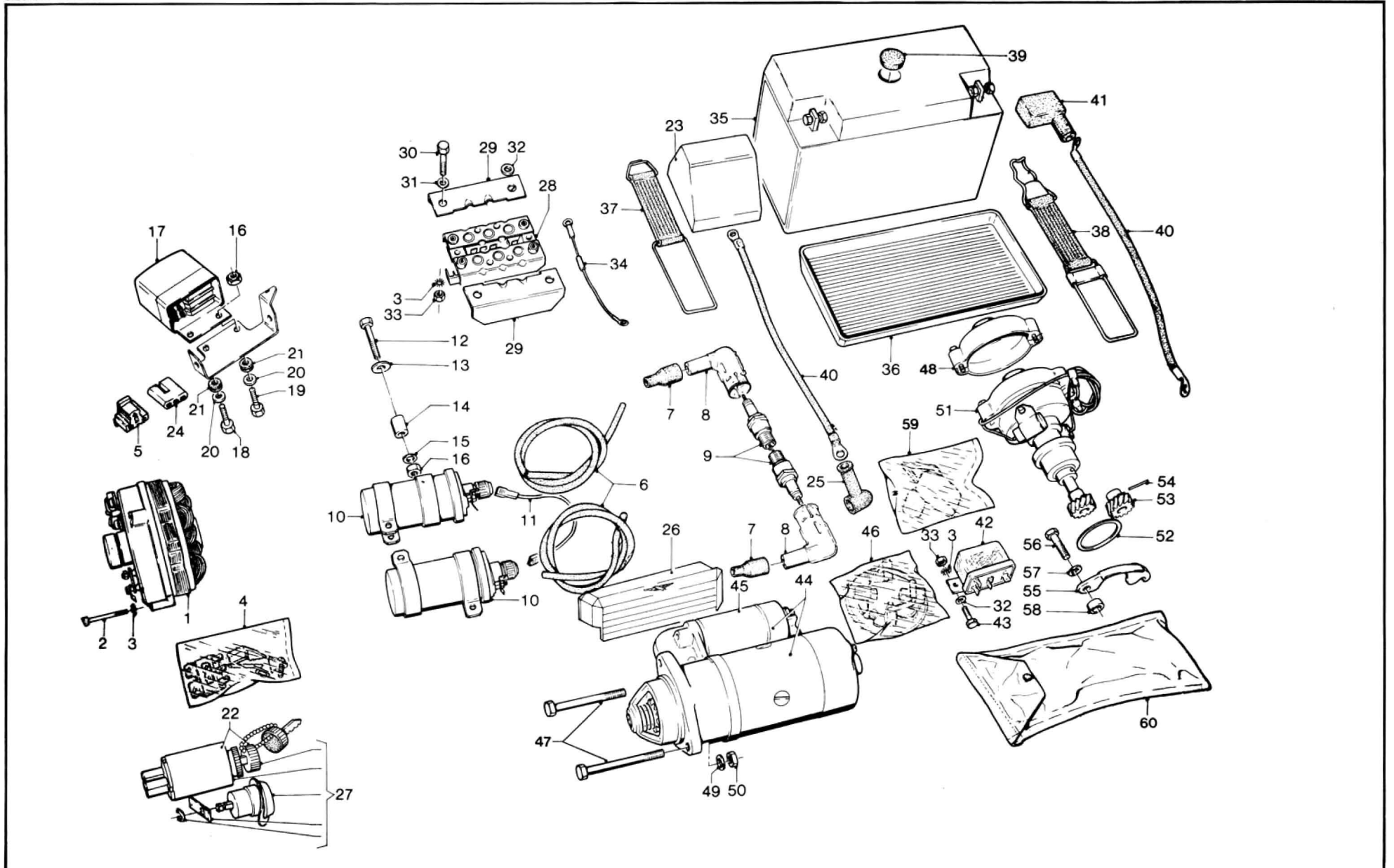
ACCENSIONE - DOTAZIONE
IGNITION - KITS
ALLUMAGE - KITS
ZÜNDUNG - REPARATURSATZ

CX 100 LM

Tavola - Drawing
Table - Bild

17

NOTE NOTES NOTES MARKE	POS. N.	N. COD. CODE No. No. CODE CODE Nr.	Q.tà Q.ty Q.té M.ge	DENOMINAZIONE	DESCRIPTION	DESIGNATION	BEZEICHNUNG
	1	18 71 24 50	1	Generatore alternat.	Alternator	Alternateur	Drehstromgenerator
	2	98 62 02 45	3	Vite	Screw	Vis	Schraube
	3	95 02 11 05	9	Rosetta elast. dentell.	Tooth washer	Rondelle dentée	Zahnscheibe
	4	17 71 99 00	1	Gruppo revis. generat.	Alternator kit	Kit de l'alternateur	Generator - Rep. Satz
	5	61 71 25 00	2	Connettore innesti	Connection	Branchement	Steckdose
	6	17 71 84 50	2	Cavi A.T. dx e sx	R.H. - L.H. H.T. wire	Câble H.T. D et G	H.S. Leitung, R. und L.
	7	14 71 76 00	2	Cappuccio protezione	Protective cap	Capuchon protecteur	Schutzkappe
	8	14 71 74 00	2	Attacco cavi candele	Spark plug cap	Embout de bougie	Zündkerzenstecker
	9	25 71 70 25	2	Candela di accensione "Bosch - Marelli - AC"	"Bosch - Marelli - AC" spark plug	Bougie "Bosch - Marelli - AC"	Zündkerze "Bosch - Marelli - AC"
	9	17 71 70 50	2	Candela di accensione "Champion"	"Champion" spark plug	Bougie "Champion"	Zündkerze "Champion"
	9	18 71 70 50	2	Candela di accensione "Lodge"	"Lodge" spark plug	Bougie "Lodge"	Zündkerze "Lodge"
	10	14 71 65 00	2	Bobina di accensione	Ignition coil	Bobine d'allumage	Zündspule
	11	14 74 77 00	1	Cavo bobina 1 a bob. 2	Coil 1 - coil 2 wire	Câble bobine 1 - bob. 2	Zündspule 1-2 Kabel
	12	98 05 23 45	2	Vite	Screw	Vis	Schraube
	13	95 10 01 54	2	Rosetta	Washer	Rondelle	Scheibe
	14	91 18 07 18	2	Distanziale	Spacer	Entretoise	Distanzbüchse
	15	95 00 02 06	2	Rosetta piana	Washer	Rondelle	Scheibe
	16	92 63 01 06	4	Dado autobloccante	Self-locking nut	Ecrou à autoblocage	Hutmutter
	17	17 70 38 00	1	Regolatore "Bosch"	"Bosch" regulator	Régulateur "Bosch"	Spannungsregler "Bosch"
	18	98 05 43 20	1	Vite	Screw	Vis	Schraube
	19	98 05 43 16	1	Vite	Screw	Vis	Schraube
	20	95 10 01 41	2	Rosetta grande	Washer	Rondelle	Scheibe
	21	93 11 00 60	2	Spessore in gomma	Rubber spacer	Entretoise en caoutch.	Gummipuffer
	22	19 73 53 00	1	Commutatore d'accen.	Ignition switch, cpl.	Contacteur d'all. cpl.	Zündschalter, kpl.
	23	14 70 53 50	1	Cuneo ancoraggio acc.	Battery wedge	Batterie coin	Batterie Keil
	24	61 71 26 00	1	Connettore	Connection	Branchement	Steckdose
	25	19 70 71 00	1	Cappuccio	Cap	Capuchon	Kappe
	26	19 73 33 50	1	Protezione motorino	Protection	Protection	Schutz
	27	14 73 68 55	1	Gruppo combinato	Ignition switch, cpl.	Contact. d'allum. cpl.	Zündschalter, kpl.





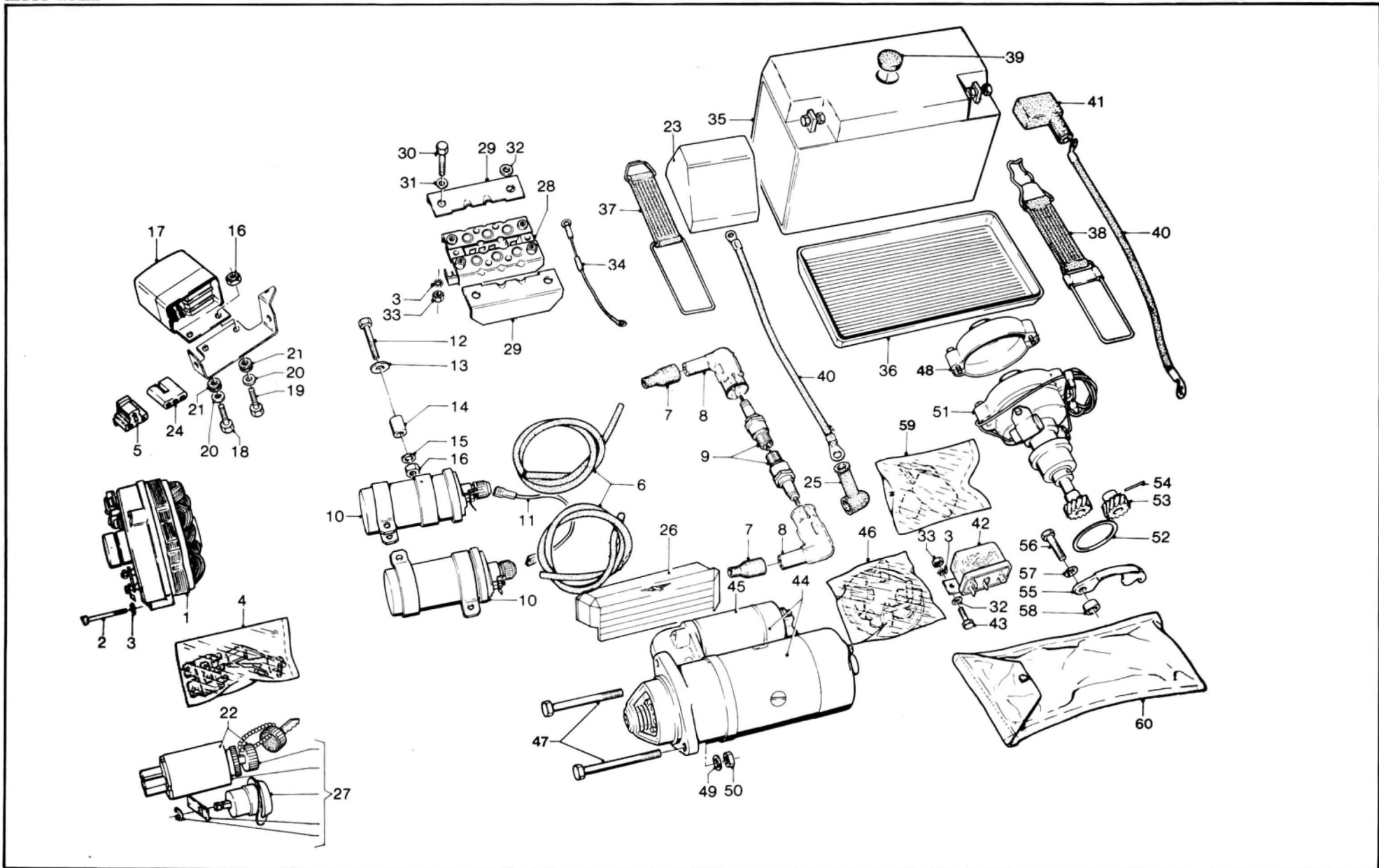
ACCENSIONE - DOTAZIONE
IGNITION - KITS
ALLUMAGE - KITS
ZÜNDUNG - REPARATURSATZ


CX 100 LM

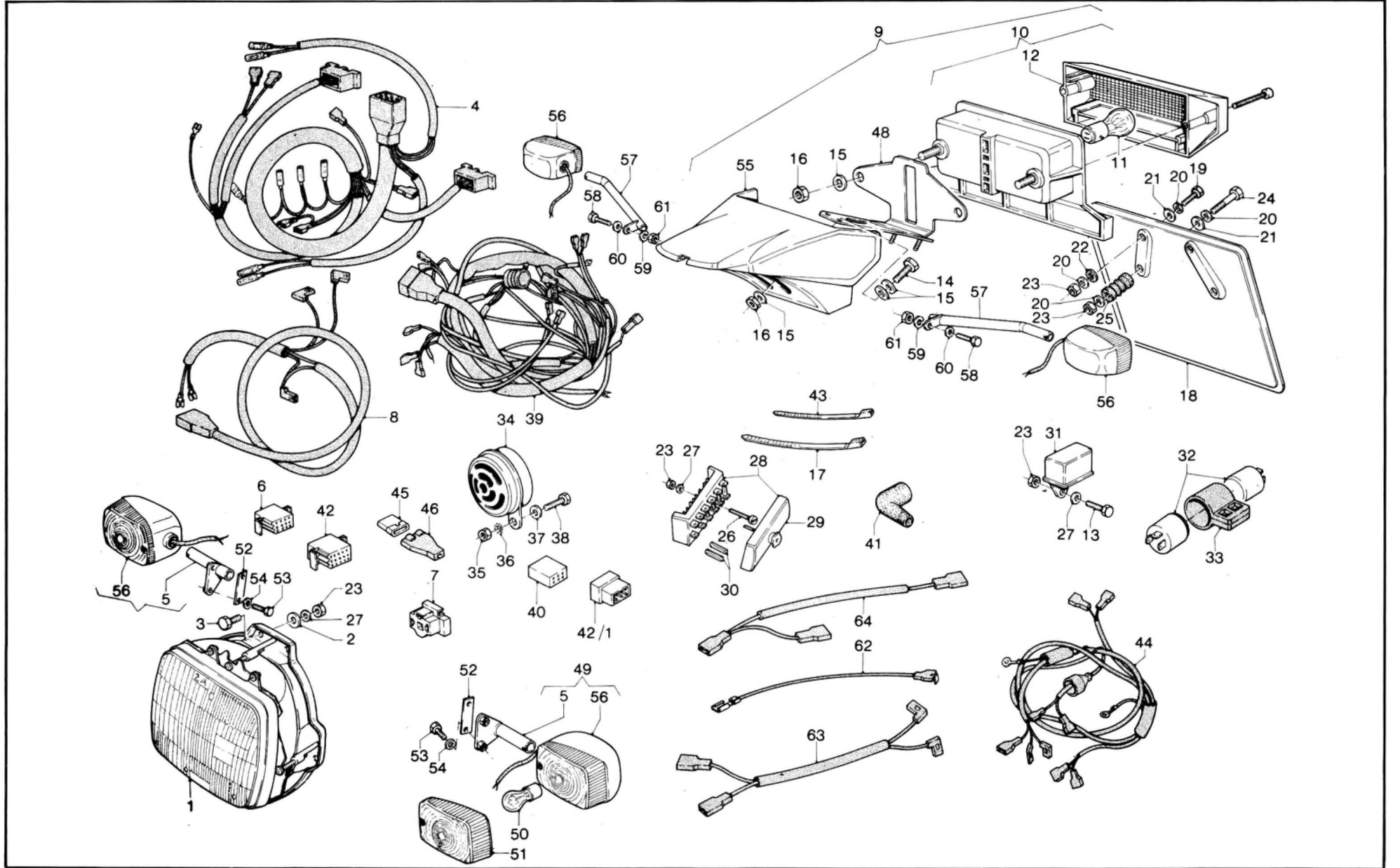
Tavola - Drawing
Table - Bild

17

NOTE NOTES NOTES MARKE	POS. N.	N. COD. CODE No. No. CODE CODE Nr.	Q.tà Q.ty Q.té M.ge	DENOMINAZIONE	DESCRIPTION	DESIGNATION	BEZEICHNUNG
	28	17 70 43 00	1	Raddrizzatore	Rectifier	Redresseur	Gleichrichter
	29	14 70 42 05	2	Coperchio raddrizz.	Cover	Couvercle	Deckel
	30	98 30 50 17	4	Vite	Screw	Vis	Schraube
	31	95 10 00 59	2	Rosetta grande	Washer	Rondelle	Scheibe
	32	95 00 02 05	4	Rosetta piana	Washer	Rondelle	Scheibe
	33	92 60 22 05	5	Dado per viti	Nut	Ecrou	Mutter
	34	17 74 85 00	1	Cavo massa raddriz.	Earthing wire	Câble de masse	Massaleitung
	35	14 70 45 50	1	Accumulatore 12V - 20 Ah	Battery 12V - 20 Ah	Batterie 12V - 20 Ah	Batterie 12V - 20 Ah
	35	14 70 45 05	1	Accumulatore 12V - 32 Ah	Battery 12V - 32 Ah	Batterie 12V - 32 Ah	Batterie 12V - 32 Ah
	36	14 70 70 00	1	Vaschetta accumul.	Battery holder	Plateau de batterie	Batterieplatte
	37	14 70 48 00	1	Staffa fiss. batteria	Flexible clamp	Collier élastique	Elast. Klammer
	38	14 70 55 00	1	Staffa fiss. batteria	Flexible clamp	Collier élastique	Elast. Klammer
	39	93 18 02 20	1	Tampone	Plug	Bouchon	Stopfen
	40	14 74 84 50	2	Cavo batteria	Battery wire	Câble batterie	Batteriekabel
	41	25 70 67 00	1	Cappuccio morsetto	Dust cap	Pare-poussière	Staubkappe
	42	12 73 25 00	1	Teleruttore	Relay	Relais	Relais
	43	98 05 42 14	2	Vite	Screw	Vis	Schraube
	44	14 73 07 06	1	Motorino avv. "Bosch"	"Bosch" starter	Démarrreur "Bosch"	Starter "Bosch"
	45	14 73 05 58	1	Interruttore compl.	Switch, cpl.	Interrupteur, cpl.	Schalter, kpl.
	46	14 73 05 70	1	Gruppo rev. mot. avv.	Starter kit	Kit de démarreur	Starter - Rep. Satz
	47	98 05 24 80	2	Vite fiss. motorino	Screw	Vis	Schraube
	48	14 71 54 20	1	Coperchio ruttore	Cover	Couvercle	Deckel
	49	95 00 42 08	2	Rosetta	Washer	Rondelle	Unterlegscheibe
	50	92 60 22 08	1	Dado	Nut	Ecrou	Mutter
	51	17 71 54 50	1	Doppio rut.. con ant.	Distribùtor with regul.	Distributeur avec régul.	Zündverteiler mit Verst.
	52	14 71 64 00	1	Guarnizione	Gasket	Joint	Dichtung
	53	14 71 62 00	1	Ingranaggio completo	Helical gear wheel	Roue hélicoidale	Schraubenrad
	54	95 51 03 18	1	Spina	Pin	Goupille	Stift
	55	14 71 57 00	1	Piastrina	Fastener	Arrêtoir	Halter
	56	98 05 24 30	2	Vite	Screw	Vis	Schraube
	57	95 12 00 85	2	Rosetta elastica	Washer	Rondelle	Unterlegscheibe



		ACCENSIONE - DOTAZIONE IGNITION - KITS ALLUMAGE - KITS ZÜNDUNG - REPARATURSATZ						CX 100 LM Tavola - Drawing Table - Bild
								17
NOTE NOTES NOTES MARKE	POS. N.	N. COD. CODE No. No. CODE CODE Nr.	Q.tà Q.ty Q.té M.ge	DENOMINAZIONE	DESCRIPTION	DESIGNATION	BEZEICHNUNG	
	58	91 18 09 07	2	Distanziale	Spacer	Entretoise	Distanzbüchse	
	59	14 71 98 00	1	Gruppo rev. dopp. rut.	Distributor kit	Kit de distributeur	Zündverteiler Rep. - Satz	
	60	17 92 99 00	1	Dotazione completa	Tool bag, complete	Trousse complète	Werkzeugtasche, kpl.	





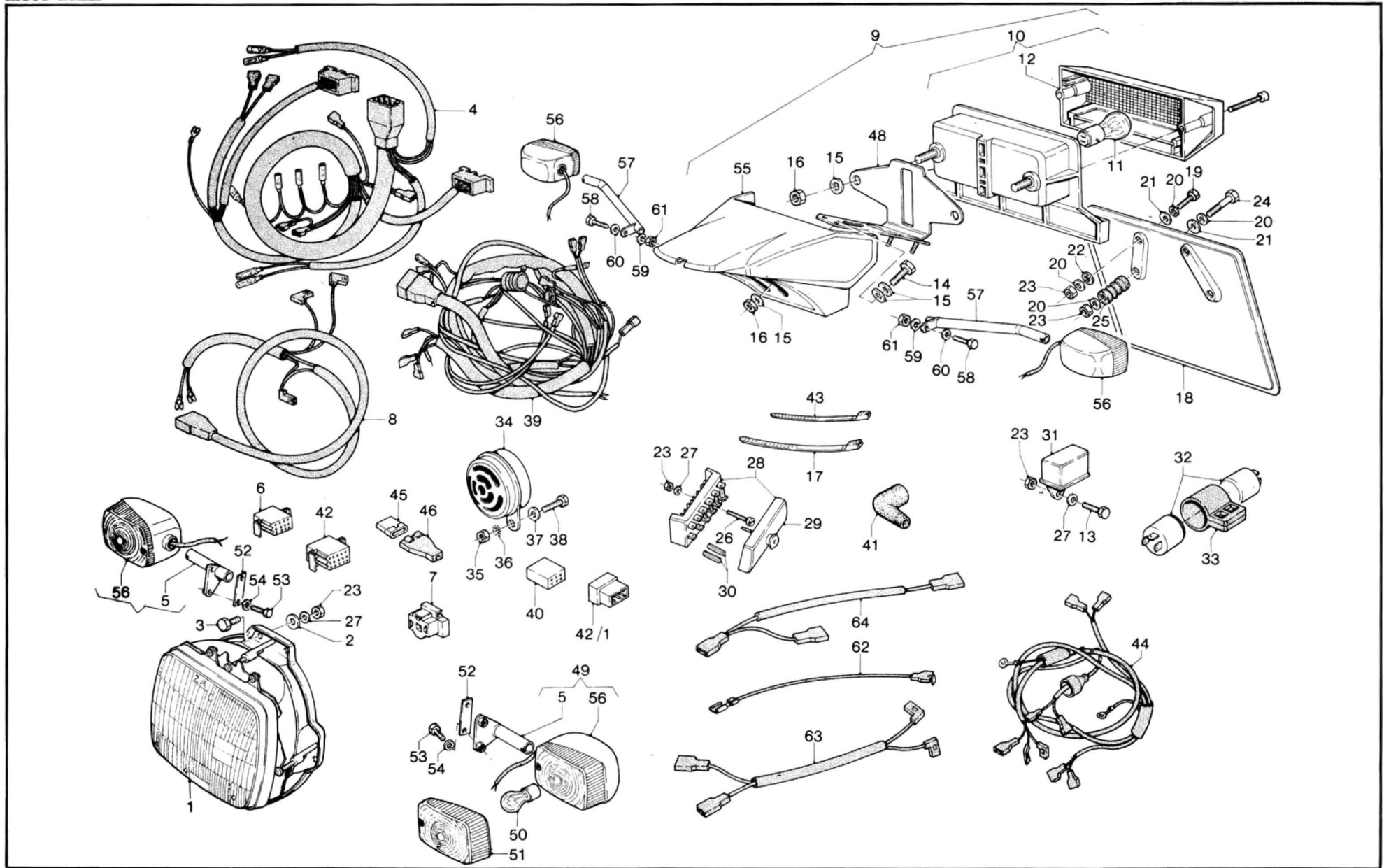
IMPIANTO ELETTRICO - INDICATORI - ACUSTICO
ELECTRICAL EQUIPMENT - INDICATORS - HORN
INSTALLATION ELECTRIQUE - CLIGNOTANTS - AVERTISSEUR
ELEKTR. ANLAGE - BLINKER - HUPE

CX 100 LM

Tavola - Drawing
Table - Bild

18

NOTE NOTES NOTES MARKE	POS. N.	N. COD. CODE No. No. CODE CODE Nr.	Q.tà Q.ty Q.té M.ge	DENOMINAZIONE	DESCRIPTION	DESIGNATION	BEZEICHNUNG
	1	14 74 05 85	1	Proiettore completo	Headlight, complete	Projecteur, complet	Scheibenwerfer, kpl.
	2	93 11 00 60	4	Anello fiss. proiettore	Ring	Bague	Ring
	3	98 05 42 14	4	Vite fiss. proiettore	Screw	Vis	Schraube
	4	14 74 72 55	1	Gruppo cavi da cruscotto a faro	Cable assy	Ensemble de câbles	Kabelsatz
	5	14 75 13 55	2	Supporto per indicatori direzionali anteriore	Holder	Support	Halter
	6	19 72 31 00	1	Blocchetto 12 vie	Connection	Branchement	Steckdose
	7	14 75 62 55	1	Blocchetto a 3 vie	Connection	Branchement	Steckdose
	8	14 74 74 85	1	Gruppo cavi da cabl. a proiettore	Cable assy	Ensemble de câbles	Kabelsatz
	9	19 74 09 00	1	Fanalino post. compl.	Tail light, complete	Feu AR, complet	Heckleuchte, kpl.
	10	65 74 09 00	1	Fanalino posteriore	Tail light	Feu AR	Heckleuchte
	11	93 45 02 23	2	Lampada sferica 12V-21/5W	Bulb 12V-21/5W	Ampoule 12V-21/5W	Glühlampe 12V-21/5W
	12	65 74 17 00	1	Coppetta per fanalino	Tail-light glass	Verre de feu AR	Lightscheibe
	13	98 05 42 20	1	Vite fiss. teleruttore	Screw	Vis	Schraube
	14	98 05 43 16	2	Vite sup. fiss. fan. pos.	Screw	Vis	Schraube
	15	95 10 01 21	4	Rosetta per viti	Washer	Rondelle	Unterlegscheibe
	16	92 60 22 06	2	Dado inf. fiss. fanal.	Nut	Ecrou	Mutter
	17	14 60 96 50	10	Fascetta te. cavi trasm.	Clamp	Collier	Kabelband
	18	14 47 46 50	1	Piastra porta targa	Plate	Plaque de support	Halteblech
	19	98 05 22 20	2	Viti	Screw	Vis	Schraube
	20	95 10 00 59	8	Rosetta piana	Washer	Rondelle	Unterlegscheibe
	21	90 71 60 57	4	Guarnizione	Gasket	Joint	Dichtung
	22	90 71 60 67	2	Spessore elastico int.	Rubber spacer	Entretoise en cautch.	Gummistück
	23	92 63 01 05	11	Dado autobloccante	Self-locking nut	Ecrou à autoblocage	Hutmutter
	24	98 05 22 40	2	Vite	Screw	Vis	Schraube
	25	14 47 47 50	2	Tampone	Rubber spacer	Entretoise en caputch.	Gummistück
	26	98 20 25 30	2	Vite	Screw	Vis	Schraube
	27	95 00 02 05	7	Rosetta per viti mors. e teleruttore lampeg.	Washer	Rondelle	Unterlegscheibe
	28	17 74 30 00	1	Scatola fusibili	Fuse box	Boite de fusibles	Sicherungsdose





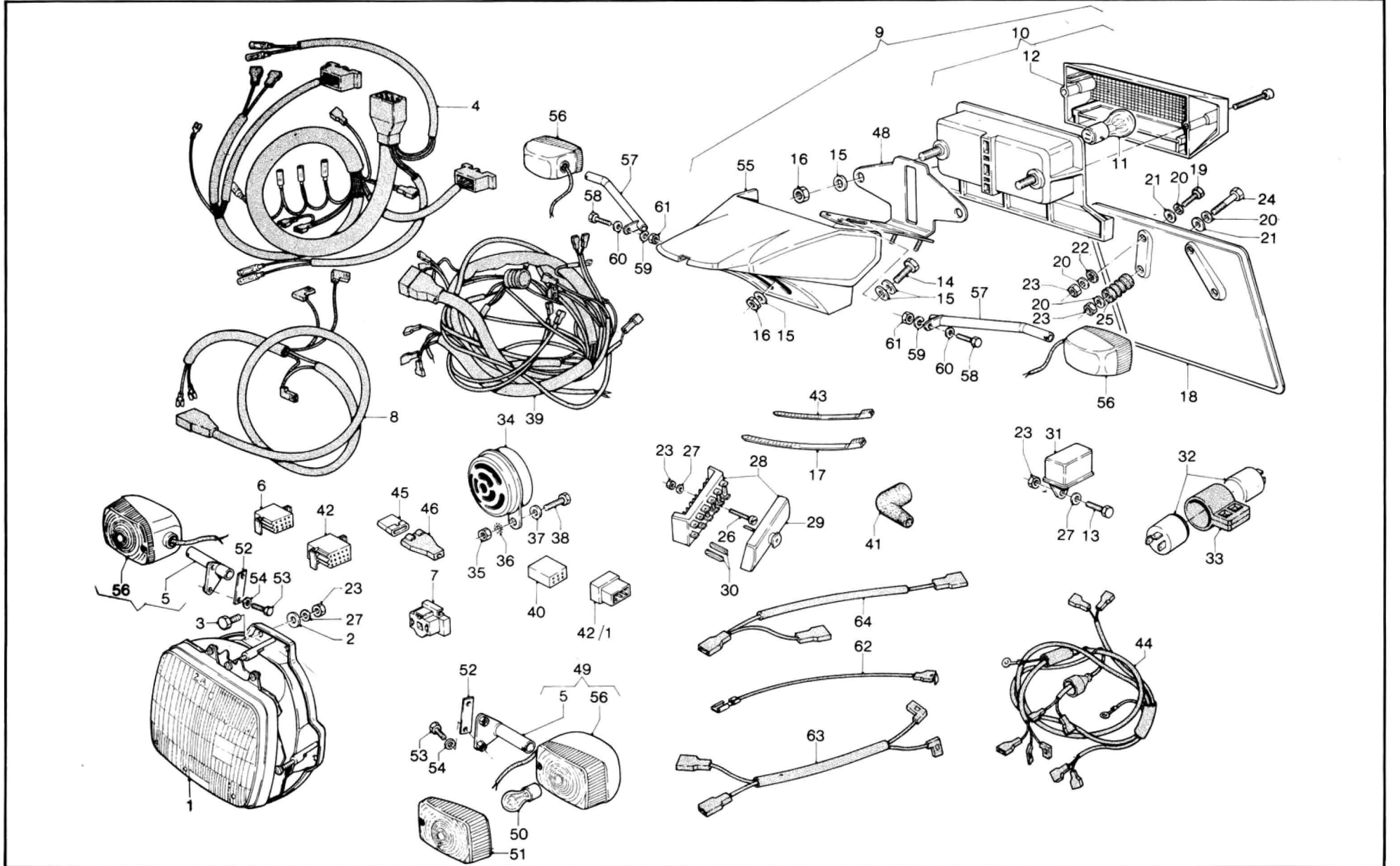
IMPIANTO ELETTRICO - INDICATORI - ACUSTICO
ELECTRICAL EQUIPMENT - INDICATORS - HORN
INSTALLATION ELECTRIQUE - CLIGNOTANTS - AVERTISSEUR
ELEKTR. ANLAGE - BLINKER - HUPE


CX 100 LM

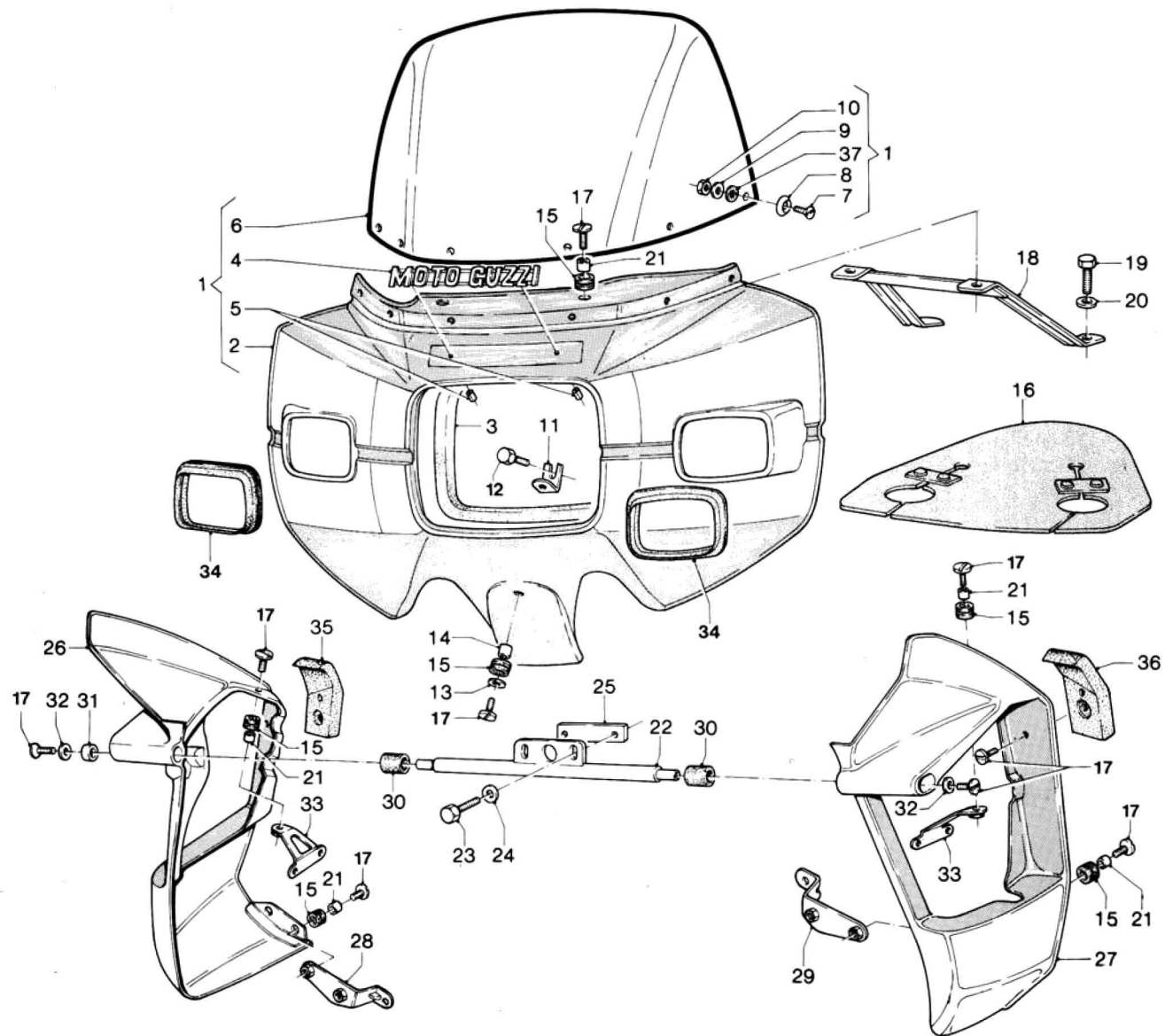
Tavola - Drawing
Table - Bild


18

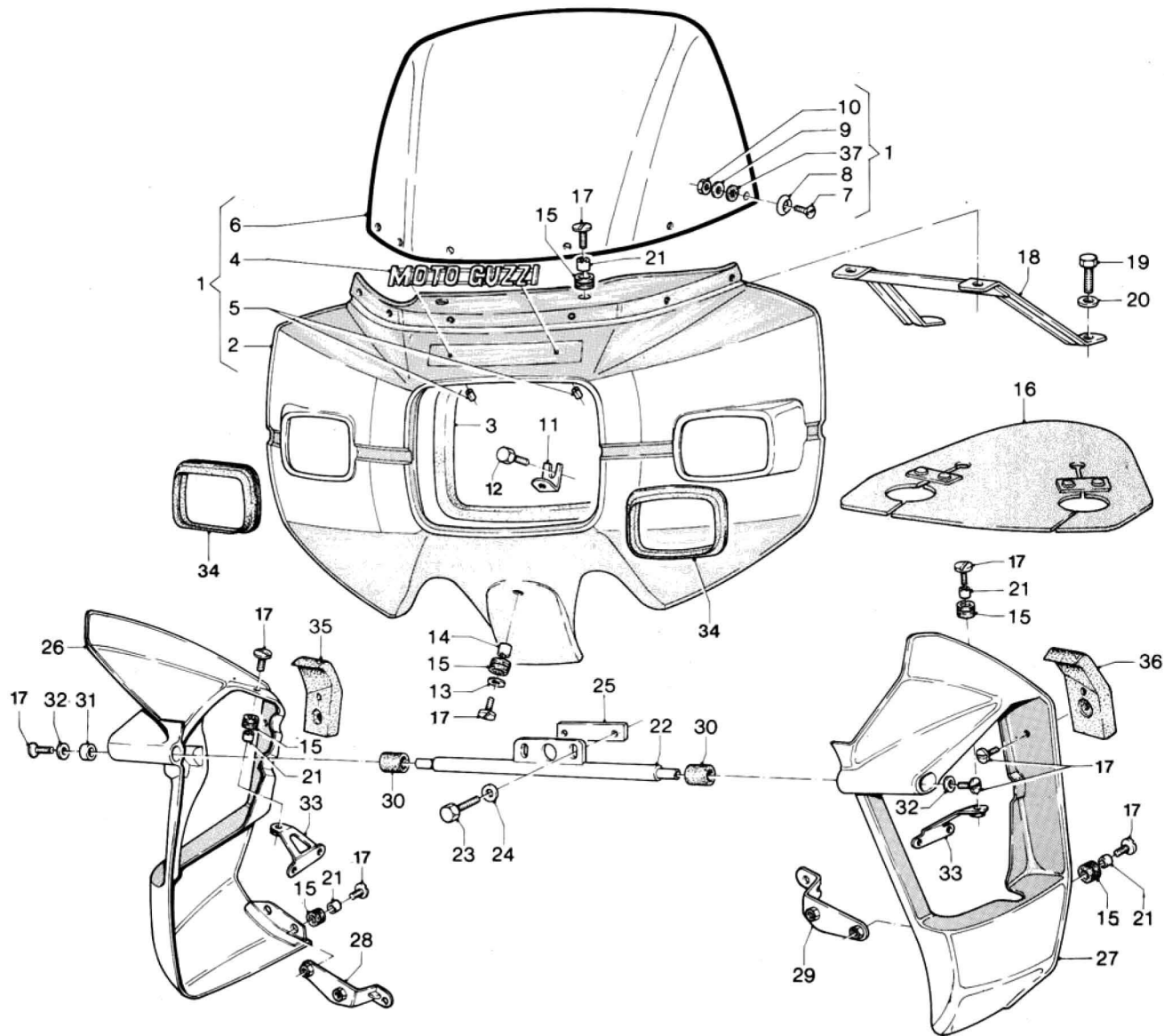
NOTE NOTES NOTES MARKE	POS. N.	N. COD. CODE No. No. CODE CODE Nr.	Q.tà Q.ty Q.té M.ge	DENOMINAZIONE	DESCRIPTION	DESIGNATION	BEZEICHNUNG
	29	17 74 31 00	1	Coperchio morsettiera	Cover	Couvercle	Deckel
	30	17 74 25 50	6	Fusibile (16A)	Fuse (16A)	Fusible (16A)	Sicherung (16A)
	31	19 73 25 00	1	Teleruttore lampeggio	Relay	Relais	Relais
	32	17 75 05 20	2	Intermittenza lamp.	Intermittence	Centrale clignotants	Blinkgeber
	33	17 75 12 00	1	Sostegno antivibrante	Rubber holder	Support	Gummihalter
	34	17 74 37 60	1	Tromba elettr. (t. alto)	Horn	Avertisseur	Signalhorn
	35	92 60 22 08	1	Dado	Nut	Ecrou	Mutter
	36	95 02 11 08	1	Rosetta elast. dentell.	Shakery washer	Rondelle dentée	Zahnscheibe
	37	95 00 02 08	1	Rosetta piana	Washer	Rondelle	Unterlegscheibe
	38	98 05 44 20	1	Vite	Screw	Vis	Schraube
	39	14 74 71 55	1	Gruppo principale cavi	Cable assy	Ensemble de câbles	Kabelsatz
	40	14 75 62 51	1	Blocchetto p. m. 15 vie	Connection	Branchement	Steckdose
	41	12 73 51 00	1	Cappuccio interut. stop	Protective cap	Capuchon de protect.	Schutzkappe
	42	14 75 61 51	1	Blocchetto p. f. 15 vie	Connection	Branchement	Steckdose
	42/1	17 75 60 00	1	Cappuccio per blocch. 15 vie	Cap	Capuchon	Kappe
	43	49 60 96 01	4	Fascetta	Clamp	Collier	Kabelband
	44	14 74 73 50	1	Gruppo cavi per fanalino posteriore	Cable assy	Ensemble de câbles	Kabelsatz
	45	17 75 58 60	1	Connettore a 4 vie	Connection	Branchement	Steckdose
	46	17 75 57 60	1	Cappuccio per connet.	Cap	Capuchon	Kappe
	48	19 74 12 00	1	Supporto fanalino	Holder	Support	Halter
	49	14 75 06 85	2	Indicatore direz. ant. dx sx completo	Front indicator, compl.	Clignotant, AV, compl.	Vorderblinker, kpl.
	50	93 45 01 29	4	Lampade per indic. dir.	Bulb	Ampoule	Glühlampe
	51	14 75 37 86	4	Coppa per indic. di dir.	Indicator glass	Verre de clignotant	Lichtscheibe
	52	14 75 17 55	2	Piastrina fiss. indicat.	Plate	Plaquette	Platte
	53	98 07 43 16	4	Vite fiss. supporto alla carenatura	Screw	Vis	Schraube
	54	14 21 79 01	4	Rosetta per vite	Washer	Rondelle	Unterlegscheibe
	55	19 74 10 00	1	Carenatura per fanal.	Cowling for tail-light	Carénage pour feu AR	Ausrundung f. Heckleuchte
	56	14 75 06 86	4	Indicat. di direz. ant. e posteriore nudo	Rear and front indicat.	Clignotant AV et AR	Vord. u. Hint. Blinker



		IMPIANTO ELETTRICO - INDICATORI - ACUSTICO ELECTRICAL EQUIPMENT - INDICATORS - HORN INSTALLATION ELECTRIQUE - CLIGNOTANTS - AVERTISSEUR ELEKTR. ANLAGE - BLINKER - HUPE				CX 100 LM		
NOTE NOTES NOTES MARKE		POS. N.	N. COD. CODE No. No. CODE CODE Nr.	Q.tà Q.ty Q.té M.ge	DENOMINAZIONE	DESCRIPTION	DESIGNATION	BEZEICHNUNG
		57	14 75 85 55	2	Braccio porta indic. di direz. posteriore	Holder	Support	Halter
		58	98 07 44 16	2	Vite fiss. braccio post.	Screw	Vis	Schraube
		59	95 02 11 08	2	Rosetta elastica	Spring washer	Rondelle élastique	Federscheibe
		60	95 00 72 08	2	Rosetta piana	Washer	Rondelle	Unterlegscheibe
		61	92 60 22 08	2	Dado	Nut	Ecrou	Mutter
		62	17 75 72 40	1	Cavo da radrizzat. + a fusibile "5"	Cable and fuse (5)	Câble et fusible (5A)	Kabel mit Sicherung (5A)
		63	18 72 01 50	1	Gruppo cavi colleg. int.	Cable assy	Ensemble de câbles	Kabelsatz



		CARENATURA E PARABREZZA WINDSCREEN AND DOWLING CARENAGE ET PARE-BRISE WINDSCHUTZSCH. AUSRUNDUNG			CX 100 LM Tavola - Drawing Table - Bild 19		
		NOTE NOTES NOTES MARKE	POS. N.	N. COD. CODE No. No. CODE CODE Nr.	Q.tà Q.ty Q.té M.ge	DENOMINAZIONE	DESCRIPTION
	1	14 57 53 58	1	Carenatura e parabrez. (rosso - nera)	Cowling and windscr. (red - black)	Carenage et pare-brise (rouge - noir)	Ausrun. u. Windschutzsc. (Rot - Schwarz)
	1	14 57 53 59	1	Carenatura e parabrez. (bianco - nera)	Cowling and windscr. (white - black)	Carenage et pare-brise (blanc - noir)	Ausrun. u. Windschutzsc. (Weiss - Schwarz)
	2	14 57 54 58	1	Carenatura nuda (rosso - nera)	Cowling (red - black)	Carenage (rouge - noir)	Ausrundung (Rot - Schwarz)
	2	14 57 54 59	1	Carenatura nuda (bianco - nera)	Cowling (white - black)	Carenage (blanc - noir)	Ausrundung (Weiss - Schwarz)
	3	14 74 06 85	1	Guarnizione	Gasket	Joint	Dichtung
	4	39 91 73 00	1	Marchio	Mark	Marque	Marke
	5	14 10 51 00	2	Fermaglio	Fastener clip	Goujon	Klemme
	6	14 57 72 55	1	Parabrezza completo	Windscreen, assy	Pare-brise compl.	Windschutzscheibe
	7	98 26 04 16	6	Vite fiss. parabrezza	Screw	Vis	Schraube
	8	14 57 78 50	6	Ranella esterna	Washer	Rondelle	Scheibe
	9	95 00 72 04	6	Ranella	Washer	Rondelle	Scheibe
	10	92 60 10 04	6	Dado con nylon	Nut	Ecrou	Mutter
	11	17 57 88 60	1	Squadretta inf. caren.	Bracket	Etrier	Stütze
	12	98 05 43 14	1	Vite	Screw	Vis	Schraube
	13	95 00 02 06	1	Ranella	Washer	Rondelle	Scheibe
	14	91 18 06 08	1	Distanziale	Spacer	Entretoise	Distanzstück
	15	91 55 10 85	9	Gommino	Rubber block	Caoutchouc	Gummistück
	16	17 57 18 60	1	Grembiale per caren.	Rubber guard	Protection en caoutch.	Gummischutz
	17	98 32 60 16	13	Vite	Screw	Vis	Schraube
	18	14 57 86 55	1	Supporto superiore	Upper holder	Support supérieur	Halter, oben
	19	98 07 44 16	2	Vite	Screw	Vis	Schraube
	20	95 00 72 08	2	Ranella	Washer	Rondelle	Scheibe
	21	91 18 06 07	8	Distanziale	Spacer	Entretoise	Distanzstück
	22	17 57 08 61	1	Traverso fiss. fiancata	Transverse member	Transverse	Transverse
	23	98 07 44 20	2	Vite fiss. traversa	Screw	Vis	Schraube
	24	95 00 72 08	2	Ranella per vite	Washer	Rondelle	Scheibe
	25	17 45 17 50	1	Piastrina filettata	Threaded plate	Plaquette	Platte
	26	14 57 03 68	1	Fiancata destra (rosso - nera)	R.H. rear side (red - black)	Cté D (rouge - noir)	Hint. Seite, R. (Rot - Schwarz)





**CARENATURA E PARABREZZA
WINDSCREEN AND DOWLING
CARENAGE ET PARE-BRISE
WINDSCHUTZSCH. AUSTRUNDUNG**

CX 100 LM

Tavola - Drawing
Table - Bild

19

NOTE NOTES NOTES MARKE	POS. N.	N. COD. CODE No. No. CODE CODE Nr.	Q.tà Q.ty Q.té M.ge	DENOMINAZIONE	DESCRIPTION	DESIGNATION	BEZEICHNUNG
	26	14 57 03 69	1	Fiancata destra (bianco - nera)	R.H. rear side (white - black)	Côté D (Blanc - noir)	Hint. Seite, (Weiss - Schwarz)
	27	14 57 04 68	1	Fiancata sinistra (rosso - nera)	L.H. rear side (red - black)	Côté G (rouge - noir)	Hint. Seite, L. (Rot - Schwarz)
	27	14 57 04 69	1	Fiancata sinistra (bianco - nera)	L.H. rear side (white - black)	Côté G (blanc - noir)	Hint. Seite, L. (Weiss - Schwarz)
	28	17 57 19 60	1	Squadretta post. dx	R.H. rear support	Support AR D	Hint. Träger, R.
	29	17 57 21 60	1	Squadretta post. sx	L.H. rear support	Support AR G	Hint. Träger, L.
	30	17 57 38 60	2	Elemento elastico	Rubber block	Caoutchouc	Gummistück
	31	90 71 61 04	2	Spessore elastico	Spacer	Entretoise	Distanzstück
	32	95 10 01 39	2	Ranella piana	Washer	Rondelle	Scheibe
	33	17 57 05 61	2	Squadretta superiore	Upper support	Support supérieur	Träger, oben
	34	14 75 07 55	2	Guarnizione indicatori direzionali	Gasket	Joint	Dichtung
	35	17 57 35 61	1	Ginocchiera destra	Toggle, R.H.	Articulation D	Knebel, R.
	36	17 57 45 61	1	Ginocchiera sinistra	Toggle, L.H.	Articulation G	Knebel, L.
	37	90 70 60 35	8	Anello gomma	Grommet	Bague en caoutchouc	Gummiring

