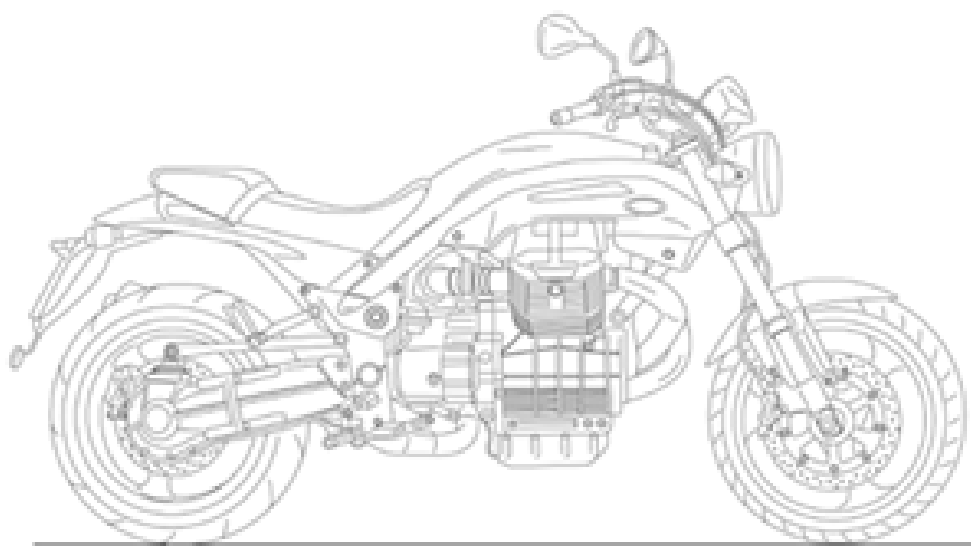




PIAGGIO & C.s.p.a.



SPARE PARTS CATALOGUE



Griso V IE 850 2006-2007

Chassis prefix: ZGULSB

Engine prefix:

GRISO

GU082



Index

Finished products.....	4
Alphanumeric index.....	5
FRAME.....	11
Table 33.01 - Frame.....	11
Table 33.02 - Lateral stand.....	12
Table 33.03 - Foot rests I.....	13
Table 33.04 - Foot rests II.....	14
Table 33.05 - Gear lever.....	15
Table 33.06 - Steering.....	16
Table 33.07 - Front fork.....	17
Table 33.08 - Front fork.....	18
Table 33.09 - Swing arm.....	19
Table 33.10 - Transmission complete.....	20
Table 33.11 - Trans.cpl.-Cage.....	21
Table 33.12 - Trans.cpl.-Bevel gear.....	22
Table 33.13 - Connecting rod - rear shock abs.....	23
Table 33.14 - Fuel tank.....	24
Table 33.15 - Front body - Duct.....	25
Table 33.16 - Front mudguard.....	26
Table 33.17 - Saddle.....	27
Table 33.18 - Rear body - Mudguard.....	28
Table 33.19 - Rear body - Rear fairing.....	29
Table 33.20 - Dashboard.....	30
Table 33.21 - Handlebar - Controls.....	31
Table 33.22 - Front master cilinder.....	32
Table 33.23 - Clutch control complete.....	33
Table 33.24 - Blow-by system.....	34
Table 33.25 - Fuel supply.....	35
Table 33.26 - Air box.....	36
Table 33.27 - Exhaust unit.....	37
Table 33.28 - Internal fuel pump.....	39
Table 33.29 - Front wheel.....	40
Table 33.30 - Front brake caliper.....	41
Table 33.31 - Rear wheel.....	42
Table 33.32 - Rear master cylinder.....	43
Table 33.33 - Rear brake caliper.....	45
Table 33.34 - Headlight/Horn.....	46
Table 33.35 - Taillight.....	47
Table 33.36 - Electrical system I.....	48
Table 33.37 - Electrical system II.....	50
Table 33.38 - Lock hardware kit.....	51
Table 33.39 - Plate set-decal-op.handbooks.....	52
ENGINE.....	53



Table 34.40 - Crank-case.....	53
Table 34.41 - Cylinder head and valves I.....	56
Table 34.42 - Cylinder head and valves II.....	58
Table 34.43 - Crankshaft cpl.....	60
Table 34.44 - Timing system.....	61
Table 34.45 - Oil pump I.....	62
Table 34.46 - Oil pump II.....	63
Table 34.47 - Oil filters.....	64
Table 34.48 - Clutch.....	65
Table 34.49 - Transmission cage.....	66
Table 34.50 - Gear box selector.....	67
Table 34.51 - Primary gear shaft.....	68
Table 34.52 - Driven shaft.....	69
Table 34.53 - Clutch shaft.....	70
Table 34.54 - Current generator.....	71
Table 34.55 - Starter motor.....	72
Table 34.56 - Throttle body.....	73
SPECIAL TOOLS.....	74
Table 36.57 - Specific tools I.....	74
Table 36.58 - Specific tools II.....	75
Table 36.59 - Specific tools III.....	76



Finished products

Code	Validity
GU9032436AU601	
GU9032436AU602	
GU9032436EU601	
GU9032436EU602	
GU9032436EU704	
GU9032436JP601	
GU9032436JP602	
UG9032436EU601	
UG9032701EU601	



Code	No. table	Pos.	Code	No. table	Pos.	Code	No. table	Pos.
0000000	33.29	14	977056	33.31	10	AP8118502	33.21	13
0000000	33.31	8	977062	33.14	17	AP8118503	33.21	15
224202	34.42	8	977064	33.25	3	AP8118579	33.21	7
277916	34.46	2	977065	33.02	23	AP8118659	33.23	2
639542	33.02	24	977067	33.02	1	AP8120030	33.24	3
825597	34.42	9	977261	33.09	1	AP8120030	33.26	21
825597	34.43	23	977262	33.10	2	AP8120030	33.36	5
829122	34.47	15	977268	33.31	1	AP8120178	33.32	13
849131	34.43	14	977292	33.02	22	AP8120485	33.12	7
883045	33.10	7	977298	33.36	2	AP8120593	33.26	4
883417	33.34	26	977340	33.31	5	AP8120594	33.23	13
883802	33.21	18	977350	33.01	1	AP8120675	33.34	13
883802	33.21	20	977352	33.29	1	AP8120876	33.26	20
883851	33.28	5	977474	33.39	7	AP8120912	33.05	3
884033	33.32	24	977571	33.02	22	AP8120912	33.32	20
887423	33.25	1	977769	33.37	11	AP8120952	34.49	16
887423	33.28	1	977772	33.37	11	AP8120965	33.14	13
887771	33.25	1	977773	33.37	11	AP8121014	33.02	7
887771	33.28	1	977795	33.35	10	AP8121032	34.55	7
969973	34.41	4	978146	33.01	17	AP8121075	33.14	9
969973	34.42	4	978150	33.36	1	AP8121098	33.12	6
976006	34.43	13	978150	33.37	1	AP8121133	33.03	12
976020	34.43	17	978219	33.28	4	AP8121155	33.13	10
976031	34.43	12	978606	33.22	1	AP8121207	33.06	4
976064	34.43	9	978607	33.23	1	AP8121218	33.10	4
976068	34.41	3	981046	33.23	2	AP8121221	33.05	2
976068	34.42	3	981050	33.22	2	AP8121221	33.32	19
976083	34.40	25	981115	34.47	16	AP8121223	33.05	6
976085	34.43	2	981160	33.20	19	AP8121346	33.06	9
976087	34.42	20	AP4ADN000007	34.40	30	AP8121475	33.36	29
976098	34.40	15	AP4FAN000030	34.54	10	AP8121475	33.37	21
976099	34.40	25	AP8101595	33.26	19	AP8121513	33.27	28
976101	34.40	27	AP8101595	33.32	5	AP8121567	33.03	1
976102	34.49	1	AP8101595	34.49	15	AP8121607	33.02	13
976104	34.49	5	AP8101861	33.03	13	AP8121773	33.27	20
976107	34.42	42	AP8101890	33.32	28	AP8121795	33.02	4
976110	34.40	1	AP8102375	33.01	13	AP8121795	33.20	6
976119	34.43	16	AP8102375	33.15	9	AP8121805	33.04	3
976126	33.10	1	AP8102375	33.18	2	AP8121882	33.20	15
976132	34.40	1	AP8102375	33.19	3	AP8121915	33.23	9
976134	34.46	1	AP8102375	33.37	14	AP8121927	33.32	23
976137	34.53	8	AP8102502	33.17	10	AP8121929	33.18	12
976138	34.51	2	AP8102520	33.24	16	AP8121929	33.19	5
976139	34.41	38	AP8102523	33.17	9	AP8123637	33.07	1
976139	34.42	38	AP8102524	33.02	9	AP8123637	33.08	1
976144	34.41	42	AP8102764	33.24	15	AP8123638	33.07	2
976144	34.42	41	AP8102765	33.24	13	AP8123638	33.08	2
976152	34.42	43	AP8102913	33.17	3	AP8123641	33.06	7
976153	34.42	22	AP8104329	33.26	2	AP8123642	33.06	5
976157	34.43	1	AP8104666	33.14	16	AP8123643	33.06	3
976165	34.46	3	AP8106713	33.23	1	AP8123644	33.06	6
976168	34.46	15	AP8110066	33.13	5	AP8123806	33.08	7
976171	34.43	15	AP8110068	33.13	6	AP8123810	33.07	4
976172	34.43	15	AP8110077	33.06	8	AP8123811	33.08	12
976181	34.42	10	AP8112811	33.37	4	AP8123812	33.08	13
976195	34.43	1	AP8112996	33.32	27	AP8123815	33.07	11
976348	34.42	2	AP8113081	33.32	16	AP8123816	33.07	10
976349	34.42	1	AP8113082	33.32	17	AP8123819	33.07	14
976448	34.46	6	AP8113288	33.32	3	AP8123820	33.07	15
976688	34.45	14	AP8113594	33.32	2	AP8123821	33.07	16
976688	34.46	17	AP8113993	33.22	5	AP8123822	33.08	4
976908	34.49	17	AP8113993	33.23	4	AP8123823	33.08	5
976910	34.40	45	AP8113995	33.22	3	AP8123824	33.08	6
977041	33.32	14	AP8113997	33.23	5	AP8123825	33.08	8
977050	33.01	16	AP8113998	33.23	6	AP8123826	33.08	11
977052	33.04	6	AP8117200	34.55	5	AP8123827	33.08	9
977053	33.04	1	AP8118492	33.21	14	AP8123828	33.08	10



Code	No. table	Pos.	Code	No. table	Pos.	Code	No. table	Pos.
AP8123829	33.07	3	AP8152277	33.24	5	AP8221160	33.01	6
AP8123830	33.07	9	AP8152277	33.37	20	AP8221197	33.02	8
AP8123831	33.07	5	AP8152278	33.23	11	AP8221225	33.02	19
AP8123832	33.07	6	AP8152278	33.24	4	AP8221242	33.20	3
AP8123833	33.07	12	AP8152278	33.32	12	AP8221270	33.26	12
AP8123834	33.07	13	AP8152278	34.48	14	AP8221277	33.03	5
AP8123835	33.07	7	AP8152279	33.26	16	AP8221307	33.01	9
AP8123836	33.07	8	AP8152279	33.32	4	AP8224164	33.18	15
AP8124266	33.36	18	AP8152279	33.36	4	AP8224462	33.37	7
AP8124869	33.37	9	AP8152280	33.14	10	B045021	33.21	10
AP8124936	33.20	11	AP8152282	33.36	7	B063025	34.49	9
AP8125773	33.29	4	AP8152285	33.36	30	GU00823923140	33.02	21
AP8125777	33.29	3	AP8152285	33.37	22	GU00823950050	33.32	6
AP8127098	33.35	3	AP8152286	33.29	7	GU00823955080	33.24	14
AP8127319	33.02	16	AP8152287	33.02	12	GU01003651	34.40	24
AP8127703	33.21	6	AP8152287	33.34	15	GU01037030	34.41	40
AP8133510	33.22	2	AP8152288	33.01	5	GU01037030	34.42	10
AP8133594	33.23	8	AP8152290	33.08	3	GU01038060	34.41	13
AP8133597	33.33	7	AP8152291	34.40	46	GU01038060	34.42	13
AP8133781	33.29	6	AP8152298	33.06	14	GU01038160	34.41	14
AP8134378	33.27	21	AP8152298	33.25	5	GU01038160	34.42	14
AP8134448	33.18	13	AP8152299	33.17	5	GU01038730	34.41	10
AP8134451	33.03	9	AP8152299	33.35	15	GU01051730	34.44	8
AP8134948	33.17	8	AP8152299	33.36	17	GU01054001	34.44	5
AP8135608	33.13	8	AP8152300	33.04	4	GU01067930	34.43	21
AP8135924	33.13	4	AP8152301	33.13	11	GU01108490	33.28	3
AP8140145	36.59	1	AP8152301	33.27	22	GU01114390	34.56	14
AP8140146	36.59	2	AP8152302	33.15	2	GU01154230	33.24	12
AP8140147	36.59	3	AP8152302	33.19	2	GU01154230	34.40	33
AP8140148	36.59	4	AP8152306	33.02	26	GU01154230	34.40	50
AP8140149	36.59	5	AP8152306	33.35	8	GU01161331	33.24	11
AP8140150	36.59	6	AP8152318	33.09	2	GU01163600	34.47	8
AP8140151	36.59	7	AP8152320	33.33	2	GU01163700	34.47	7
AP8140190	36.58	2	AP8152325	33.21	5	GU01528930	33.11	13
AP8144007	33.05	7	AP8152329	33.26	5	GU01528930	33.11	8
AP8144007	33.32	25	AP8152329	33.32	10	GU01528930	34.49	9
AP8144038	33.26	18	AP8152336	33.30	7	GU01603480	33.21	12
AP8144046	33.36	19	AP8152339	33.16	2	GU01609630	33.21	19
AP8144071	33.27	19	AP8152339	33.37	13	GU01612190	33.29	11
AP8144164	33.26	8	AP8152384	33.06	10	GU01654630	33.30	3
AP8144328	33.14	8	AP8152396	33.13	16	GU01659130	33.30	5
AP8145034	33.03	6	AP8152397	33.13	9	GU01659131	33.30	6
AP8145035	33.03	8	AP8152398	33.13	2	GU01721600	33.36	20
AP8150046	34.40	16	AP8152409	33.03	2	GU01722700	33.36	22
AP8150292	33.02	14	AP8152410	33.10	3	GU01722701	33.36	22
AP8150292	33.13	13	AP8152410	33.27	24	GU01722702	33.36	22
AP8150377	33.18	7	AP8152473	33.02	11	GU01722703	33.36	22
AP8150413	33.15	6	AP8152482	33.13	15	GU01722704	33.36	22
AP8150413	33.18	17	AP8201358	33.24	17	GU01722705	33.36	22
AP8150420	33.18	18	AP8201808	33.33	12	GU01743790	33.34	23
AP8150421	33.26	9	AP8202238	33.33	11	GU01743791	33.34	22
AP8150432	33.01	8	AP8213113	33.33	8	GU01929100	36.57	7
AP8150450	33.19	10	AP8220162	33.01	11	GU03013800	33.26	14
AP8150462	33.05	5	AP8220162	33.15	4	GU03013800	33.27	26
AP8150462	33.32	22	AP8220228	33.20	8	GU03013800	34.55	9
AP8150509	33.20	9	AP8220238	33.01	10	GU03022055	34.41	20
AP8150509	33.35	2	AP8220263	33.14	15	GU03163330	33.36	26
AP8152001	33.02	15	AP8220263	33.18	9	GU03469201	34.55	8
AP8152043	33.20	17	AP8220283	33.37	8	GU03604845	33.23	3
AP8152043	34.44	21	AP8220346	33.27	23	GU03609600	33.21	19
AP8152147	33.13	12	AP8220526	33.26	13	GU03617710	33.29	12
AP8152242	33.10	5	AP8220546	33.37	10	GU03617710	33.31	2
AP8152268	33.18	14	AP8221023	33.26	17	GU03717450	33.36	14
AP8152268	34.41	21	AP8221023	33.34	12	GU03749845	33.22	9
AP8152268	34.42	21	AP8221023	33.36	6	GU04067000	34.43	18
AP8152273	33.25	2	AP8221036	33.06	12	GU04082800	34.48	5
AP8152277	33.03	3	AP8221145	33.32	11	GU04084100	34.48	1



Code	No. table	Pos.	Code	No. table	Pos.	Code	No. table	Pos.
GU04084100	34.48	1	GU05214630	34.52	5	GU05704531	33.37	2
GU04086100	34.48	10	GU05214731	34.52	9	GU05712431	34.54	1
GU05001231	34.40	14	GU05215031	34.52	10	GU05716730	33.36	9
GU05001630	34.40	21	GU05217630	34.48	12	GU05729230	33.36	3
GU05002130	34.40	40	GU05220531	34.52	11	GU05730730	34.55	1
GU05003630	34.40	26	GU05230531	34.50	18	GU05733330	34.55	4
GU05004930	34.40	34	GU05230831	34.50	21	GU05735530	33.38	5
GU05005730	34.47	4	GU05232431	34.50	19	GU05901930	36.57	4
GU05007230	34.40	18	GU05232631	34.50	20	GU05902530	36.57	13
GU05007330	34.40	36	GU05234130	34.50	11	GU05902730	36.58	8
GU05011830	34.40	42	GU05234230	34.50	12	GU05902731	36.58	5
GU05020830	34.43	9	GU05234431	34.50	1	GU05902732	36.58	3
GU05022131	34.41	1	GU05234631	34.50	2	GU05902733	36.58	4
GU05022231	34.41	2	GU05234731	34.50	10	GU05902734	36.58	7
GU05025330	34.43	22	GU05234931	34.50	13	GU05902735	36.58	6
GU05025331	34.41	17	GU05235531	34.50	3	GU05902736	36.58	1
GU05025331	34.42	17	GU05236231	34.50	7	GU05911730	36.57	2
GU05025931	34.41	44	GU05238131	34.50	15	GU05912530	36.57	3
GU05025931	34.42	44	GU05238231	34.50	8	GU05917530	33.39	4
GU05025932	34.41	39	GU05238331	34.50	14	GU05927230	36.57	6
GU05025932	34.42	39	GU05238431	34.50	9	GU05928030	36.57	5
GU05036030	34.41	6	GU05239330	34.50	17	GU05944930	33.39	10
GU05036030	34.42	6	GU05256930	33.05	10	GU05945030	33.39	8
GU05036131	34.41	5	GU05326330	33.10	6	GU05948630	36.57	1
GU05036131	34.42	5	GU05351230	33.11	2	GU05999030	34.40	43
GU05053331	34.44	3	GU05352430	33.12	2	GU05999530	34.40	44
GU05054532	34.44	9	GU05354230	33.12	1	GU06023400	34.41	43
GU05055230	34.44	20	GU05358030	33.11	6	GU06023400	34.42	45
GU05058030	34.44	16	GU05358130	33.11	5	GU06023500	34.41	36
GU05060630	34.43	3	GU05358230	33.11	7	GU06023500	34.42	36
GU05060730	34.43	4	GU05358330	33.11	1	GU06100200	33.14	1
GU05060930	34.43	5	GU05358530	33.11	15	GU06100201	33.14	1
GU05061030	34.43	6	GU05358630	33.11	16	GU06100202	33.14	1
GU05081830	34.53	5	GU05425530	33.01	4	GU06100204	33.14	1
GU05084430	34.48	3	GU05446431	33.04	12	GU06102300	33.14	2
GU05085730	34.48	6	GU05466830	33.17	7	GU06103900	33.14	4
GU05086330	33.23	10	GU05466830	33.38	4	GU06103900	33.38	2
GU05086330	34.48	13	GU05547030	33.09	6	GU06107100	33.14	7
GU05107430	33.28	2	GU05547130	33.09	5	GU06113300	33.26	3
GU05112530	34.56	1	GU05547930	33.09	8	GU06113700	33.26	7
GU05112830	34.56	2	GU05548030	33.09	3	GU06114000	33.26	1
GU05115030	34.56	3	GU05560330	33.13	3	GU06114200	33.26	6
GU05115031	34.56	8	GU05562030	33.13	7	GU06114400	34.56	6
GU05115730	34.56	4	GU05562430	33.13	14	GU06114401	34.56	5
GU05128230	33.27	15	GU05603331	33.21	11	GU06117500	33.21	16
GU05135830	34.56	17	GU05606630	33.23	12	GU06117800	33.21	17
GU05135930	33.25	4	GU05614130	33.29	8	GU06120900	33.27	1
GU05152230	34.47	3	GU05615230	33.29	2	GU06120901	33.27	2
GU05153630	34.45	8	GU05632730	33.31	3	GU06121900	33.27	12
GU05153630	34.46	10	GU05635730	33.31	6	GU061229001	33.27	16
GU05204930	34.49	8	GU05638130	33.12	9	GU06123401	33.27	10
GU05206530	33.11	12	GU05652230	33.30	2	GU06123500	33.27	9
GU05210631	34.51	1	GU05652330	33.30	1	GU06124800	33.27	11
GU05210731	34.53	1	GU05653030	33.33	1	GU06126900	33.27	14
GU05211030	34.53	12	GU05654630	33.33	3	GU06153400	33.24	1
GU05211231	34.53	10	GU05657530	33.33	9	GU06157600	33.24	8
GU05211331	34.51	10	GU05658431	33.06	13	GU06159300	33.24	10
GU05211431	34.51	7	GU05659030	33.33	5	GU06164630	33.24	6
GU05211530	34.53	13	GU05659130	33.33	4	GU06250900	33.05	1
GU05211630	34.53	14	GU05659230	33.30	4	GU06257800	33.05	9
GU05212031	34.51	4	GU05660130	33.22	1	GU06409800	33.01	14
GU05212631	34.51	9	GU05661130	33.22	4	GU06412300	33.24	2
GU05213631	34.52	1	GU05663530	33.32	7	GU06418600	33.18	6
GU05214031	34.52	7	GU05666030	33.32	9	GU06431700	33.02	3
GU05214231	34.52	3	GU05666930	33.32	1	GU06431900	33.02	2
GU05214431	34.52	12	GU05701430	34.54	7	GU06432100	33.02	1
GU05214630	34.51	5	GU05702530	34.54	6	GU06433500	33.02	10



Code	No. table	Pos.	Code	No. table	Pos.	Code	No. table	Pos.
GU06434300	33.16	1	GU06750600	33.35	11	GU14037300	34.41	9
GU06434301	33.16	1	GU06751601	33.34	21	GU14037300	34.42	48
GU06434302	33.16	1	GU06751601	33.35	16	GU14072001	34.44	12
GU06434304	33.16	1	GU06753700	33.34	19	GU14085900	34.48	7
GU06438600	33.18	10	GU06753700	33.35	12	GU14086000	34.48	8
GU06438700	33.18	1	GU06759300	33.02	18	GU14217901	34.43	11
GU06439200	33.18	16	GU06760000	33.20	1	GU14234600	34.44	4
GU06443500	33.04	14	GU06764000	33.20	4	GU14433400	34.44	10
GU06445900	33.04	7	GU06765100	33.20	2	GU14609650	33.36	28
GU06445901	33.04	9	GU06765200	33.20	10	GU14609650	33.37	17
GU06446000	33.04	10	GU06765400	33.20	16	GU14615901	33.27	5
GU06447500	33.04	16	GU06765500	33.20	18	GU14615901	33.34	8
GU06447501	33.04	11	GU06782500	33.20	13	GU14615901	34.40	5
GU06460500	33.17	1	GU06782500	33.38	3	GU14615901	34.43	20
GU06461300	33.01	15	GU06783600	33.15	11	GU14616150	33.29	13
GU06462100	33.17	6	GU06909900	33.39	6	GU14616150	33.31	9
GU06467300	33.18	3	GU06917300	33.39	3	GU14717600	33.36	15
GU06469200	33.19	6	GU06917400	33.39	2	GU14912603	36.57	21
GU06477000	33.37	15	GU06923300	33.39	12	GU14927100	36.57	9
GU06479600	33.17	2	GU06923400	33.39	1	GU14927300	36.57	12
GU06493100	33.06	1	GU06926000	33.39	11	GU17034050	34.41	28
GU06494000	33.06	2	GU06941000	34.41	37	GU17034050	34.42	28
GU06496100	33.34	9	GU06941000	34.42	37	GU17045860	34.44	2
GU06496200	33.34	10	GU10032700	34.41	32	GU17661052	33.32	8
GU06500200	33.21	4	GU10032700	34.42	32	GU17947560	36.57	15
GU06500600	33.21	2	GU10034100	34.41	29	GU18144350	34.47	13
GU06517700	33.39	9	GU10034100	34.42	29	GU18144350	34.49	7
GU06550200	33.13	1	GU10907200	36.57	11	GU19002020	34.49	14
GU06570201	33.15	1	GU12003900	34.40	2	GU19149800	34.46	9
GU06570202	33.15	1	GU12006400	34.45	13	GU19207220	34.49	10
GU06570204	33.15	1	GU12006400	34.46	16	GU19927100	36.57	20
GU06570301	33.15	10	GU12011400	34.40	28	GU19929600	36.57	14
GU06570302	33.15	10	GU12011401	34.40	28	GU25656100	33.22	8
GU06570304	33.15	10	GU12011402	34.40	28	GU25656100	33.33	6
GU06571500	33.19	8	GU12011403	34.40	28	GU25656102	34.45	9
GU06571600	33.19	9	GU12011700	34.40	29	GU25656102	34.46	11
GU06573101	33.19	1	GU12012200	34.40	11	GU28157750	33.24	9
GU06573102	33.19	1	GU12018900	34.40	6	GU28576591	33.01	12
GU06573104	33.19	1	GU12022600	34.41	15	GU28576591	33.24	7
GU06573300	33.19	4	GU12022600	34.42	15	GU28742562	33.37	5
GU06576800	33.15	5	GU12031800	34.41	33	GU29722760	33.36	22
GU06576900	33.15	7	GU12031800	34.42	33	GU29729461	33.36	25
GU06600300	33.21	1	GU12067701	34.43	19	GU30003800	34.47	2
GU06602800	33.21	8	GU12082300	34.48	4	GU30027931	33.26	11
GU06606500	33.23	7	GU12087001	34.48	9	GU30058310	34.44	17
GU06609600	33.36	31	GU12154200	34.45	11	GU30059211	34.44	18
GU06609600	33.37	23	GU12154200	34.46	13	GU30061241	34.43	7
GU06616300	33.29	9	GU12154200	34.49	11	GU30082900	34.48	2
GU06658800	33.22	6	GU12211700	34.53	15	GU30103730	33.14	14
GU06677000	33.32	18	GU12911801	36.57	10	GU30109330	33.27	8
GU06704700	33.18	8	GU12912000	36.57	8	GU30146400	34.45	1
GU06704800	33.18	5	GU12913600	36.57	17	GU30147700	34.45	4
GU06704901	33.14	11	GU13037200	34.41	8	GU30147700	34.46	7
GU06718300	33.36	13	GU13037200	34.42	47	GU30150900	34.47	9
GU06729800	33.15	8	GU13084100	34.48	1	GU30153000	34.47	1
GU06736800	33.38	1	GU13148300	34.45	2	GU30158900	34.47	12
GU06740200	33.34	2	GU13148300	34.46	4	GU30217900	33.01	3
GU06740400	33.34	27	GU14011900	34.40	10	GU30611460	33.31	7
GU06740500	33.34	1	GU14011901	34.40	10	GU30714201	34.54	9
GU06740501	33.34	1	GU14018400	33.10	8	GU30716500	33.36	8
GU06740900	33.35	1	GU14018400	34.41	24	GU30717061	33.36	16
GU06741200	33.19	7	GU14018400	34.42	24	GU30729330	33.26	10
GU06746300	33.37	12	GU14030201	34.41	25	GU30906510	36.57	19
GU06747100	33.36	1	GU14030201	34.42	25	GU30912810	36.57	18
GU06747100	33.37	1	GU14030401	34.41	26	GU30944300	33.39	5
GU06747900	33.37	6	GU14030401	34.42	26	GU30970200	33.39	13
GU06750600	33.34	16	GU14034865	34.41	22	GU31003766	33.11	9

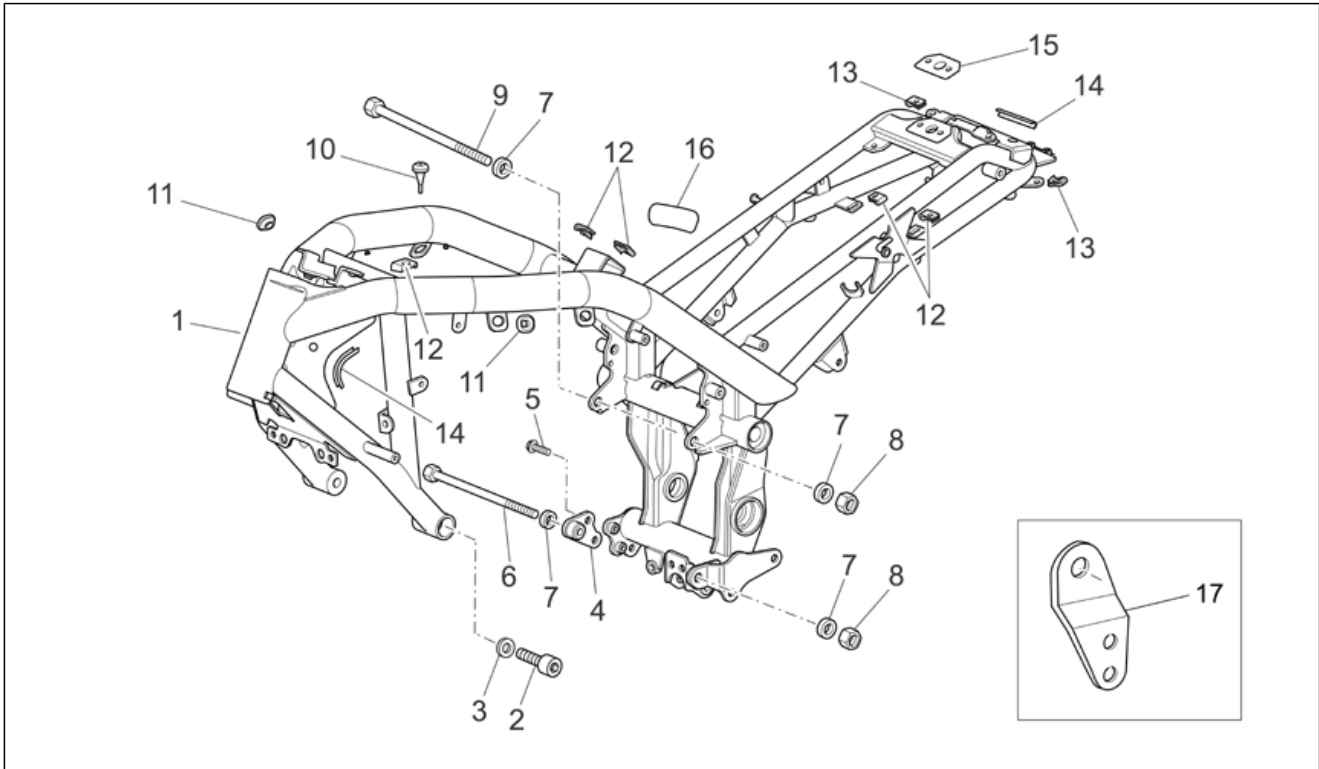


Code	No. table	Pos.	Code	No. table	Pos.	Code	No. table	Pos.
GU31003766	34.40	32	GU91120507	33.35	6	GU95008208	34.40	4
GU31003766	34.49	13	GU91120606	34.40	48	GU95008208	34.55	3
GU31159050	34.47	14	GU91120607	34.40	38	GU95008210	33.05	8
GU31740383	33.34	4	GU91120617	34.41	45	GU95008210	33.36	27
GU31768780	34.45	12	GU91120617	34.42	46	GU95008310	33.32	26
GU31768780	34.46	14	GU91180823	34.54	2	GU95008313	33.01	7
GU32441210	33.03	7	GU91600365	34.44	15	GU95021104	33.22	11
GU32442310	33.03	11	GU92201025	34.50	6	GU95021108	33.34	25
GU32442710	33.03	14	GU92201117	34.50	5	GU95028022	34.53	6
GU32443210	33.03	4	GU92201226	34.52	13	GU95100116	34.56	12
GU32443211	33.03	10	GU92201226	34.53	3	GU95100837	34.44	13
GU32474710	33.35	7	GU92201822	34.51	11	GU95120065	34.41	35
GU32727010	33.27	13	GU92201822	34.52	2	GU95120065	34.42	35
GU32748010	33.37	3	GU92204230	33.12	5	GU95120065	34.44	7
GU32769460	33.21	20	GU92208518	33.12	4	GU95120085	34.45	6
GU32769860	33.21	18	GU92232028	34.53	16	GU95129131	33.37	18
GU37037405	34.41	11	GU92249224	33.09	7	GU95129180	34.41	41
GU37037405	34.42	11	GU92252029	34.51	3	GU95129180	34.42	40
GU37037605	34.41	12	GU92252029	34.52	4	GU95129340	34.53	11
GU37037605	34.42	12	GU92252210	34.45	3	GU95510620	33.11	4
GU37045006	34.44	1	GU92602308	34.45	5	GU95512081	34.40	9
GU37067705	34.43	10	GU92602510	34.46	8	GU95980216	34.40	49
GU49609601	33.36	28	GU92602525	34.44	14	GU95980319	34.49	6
GU49609601	33.37	17	GU92603010	34.41	23	GU95990028	33.22	7
GU61270300	34.40	13	GU92603010	34.42	23	GU95990028	33.33	10
GU65928400	36.57	16	GU92605408	34.54	12	GU95990037	34.45	10
GU90118152	34.41	31	GU92606206	33.32	15	GU95990037	34.46	12
GU90118152	34.42	31	GU92606516	34.54	8	GU96508040	34.41	19
GU90271014	34.50	16	GU92609408	33.37	19	GU96508040	34.42	19
GU90271022	34.50	4	GU92630104	33.36	12	GU96508066	34.40	3
GU90271030	34.51	8	GU92630707	33.05	11	GU96508075	34.40	7
GU90271030	34.52	8	GU92650138	33.27	29	GU97202355	34.49	2
GU90271125	34.53	9	GU92650138	33.34	3	GU97202665	33.31	4
GU90271230	34.51	6	GU92660012	34.54	5	GU97260435	33.20	14
GU90271230	34.52	6	GU92660021	34.40	8	GU98082475	34.55	2
GU90272028	34.53	17	GU92750180	34.44	11	GU98084316	34.41	34
GU90272047	33.29	5	GU92787006	33.26	15	GU98084316	34.42	34
GU90273026	33.12	8	GU92787006	33.34	18	GU98084320	34.44	6
GU90274002	33.20	12	GU92787008	33.27	4	GU98084425	34.40	12
GU90351039	34.43	8	GU93180220	34.49	3	GU98110007	33.27	7
GU90353014	34.50	22	GU93222023	33.14	12	GU98210616	33.20	5
GU90353016	34.41	7	GU93222023	33.20	7	GU98230619	33.34	14
GU90353016	34.42	7	GU93231605	33.15	3	GU98230850	34.54	11
GU90401424	34.49	12	GU93304390	33.09	4	GU98250650	33.21	9
GU90401532	34.44	19	GU93304390	33.36	28	GU98250835	33.18	4
GU90403549	34.53	4	GU93305057	34.56	13	GU98257408	34.40	37
GU90404558	33.12	3	GU93305058	34.56	16	GU98350210	33.04	13
GU90405367	34.40	41	GU93305061	34.56	15	GU98350210	33.32	29
GU90408511	33.11	10	GU93450105	33.34	6	GU98350310	34.56	11
GU90412237	34.40	19	GU93450105	33.35	9	GU98350320	33.02	17
GU90412541	34.52	14	GU93450127	33.34	20	GU98350330	34.46	5
GU90706094	34.41	46	GU93450127	33.35	13	GU98350416	33.34	24
GU90706141	33.36	21	GU93450232	33.34	5	GU98370412	33.04	17
GU90706151	34.47	5	GU93601022	34.53	7	GU98370412	33.22	10
GU90706170	34.48	11	GU94321077	34.47	10	GU98370609	33.27	25
GU90706178	34.40	35	GU94322215	34.41	30	GU98370609	34.55	6
GU90706203	34.41	16	GU94322215	34.42	30	GU98370616	34.49	4
GU90706203	34.42	16	GU95005308	33.27	6	GU98370619	33.35	14
GU90706203	34.53	2	GU95005312	33.27	18	GU98370625	33.17	4
GU90706347	34.40	39	GU95005320	33.27	27	GU98371020	33.02	20
GU90706461	34.56	7	GU95005324	33.02	6	GU98612220	33.02	25
GU90718120	33.11	3	GU95005325	33.29	10	GU98612325	33.34	11
GU90718370	33.27	3	GU95008204	33.36	11	GU98620445	34.54	3
GU91110506	34.41	18	GU95008205	33.35	5	GU98620560	34.54	4
GU91110506	34.42	18	GU95008205	33.36	24	GU98680222	33.18	11
GU91111511	34.41	27	GU95008206	34.47	11	GU98680225	33.35	4
GU91111511	34.42	27	GU95008206	34.56	10	GU98680335	34.40	23



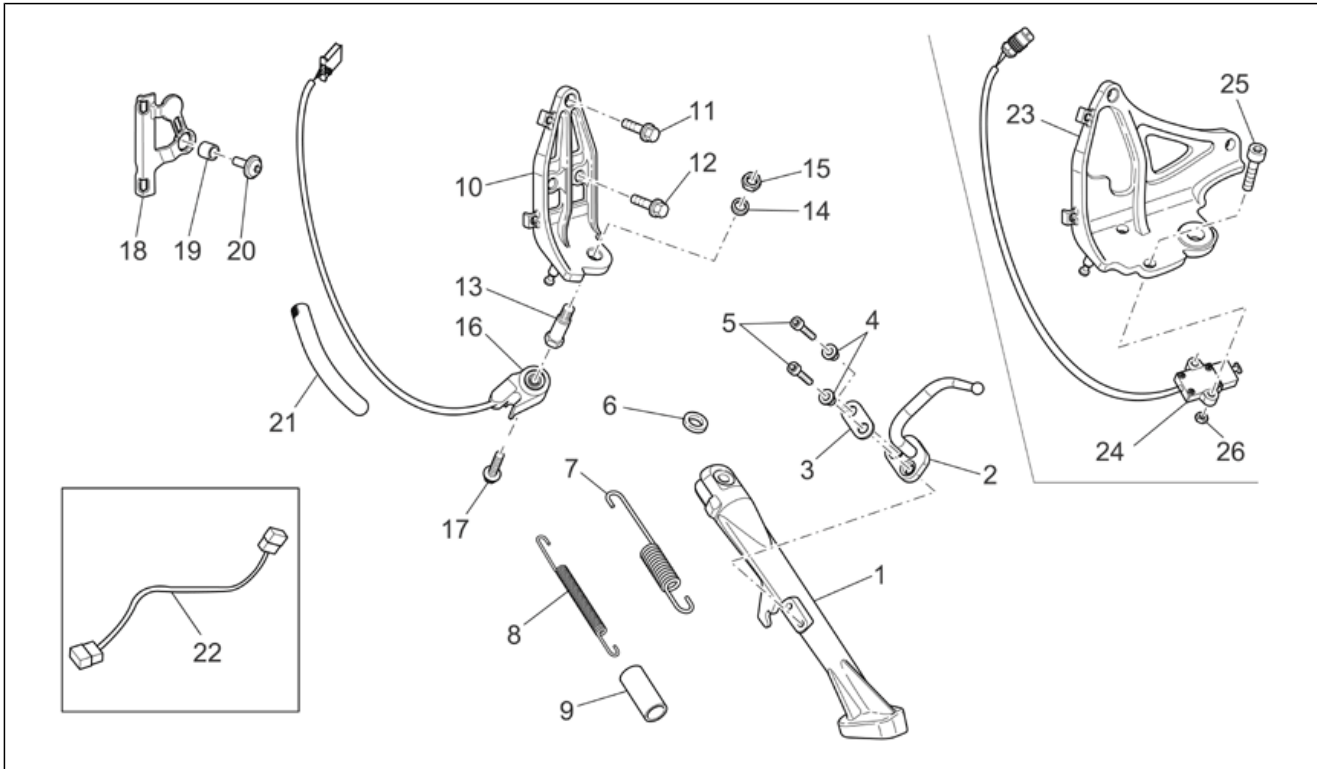
Code	No. table	Pos.
GU98680340	33.14	6
GU98680340	34.40	47
GU98680360	34.40	31
GU98680445	33.27	17
GU98680450	33.11	11
GU98682125	33.36	10
GU98682212	33.36	23
GU98682215	33.37	16
GU98682316	33.02	5
GU98682316	33.05	4
GU98682316	33.32	21
GU98682316	34.40	22
GU98682316	34.47	6
GU98682320	33.05	12
GU98682320	34.40	20
GU98682325	33.09	9
GU98682325	34.56	9
GU98682330	34.40	17
GU98682430	34.45	7
GU98682650	33.01	2
GU98690335	33.34	17
GU98692216	33.14	5
GU98700430	33.04	5
GU98700430	33.06	11
GU98700430	33.21	3
GU98700430	33.34	7
GU98700475	33.04	2
GU98700530	33.04	15
GU98710215	33.04	8
GU98710215	33.14	3
GU99210406	33.11	14

Group	FRAME
Code	33.01
Description	Frame
Service	1



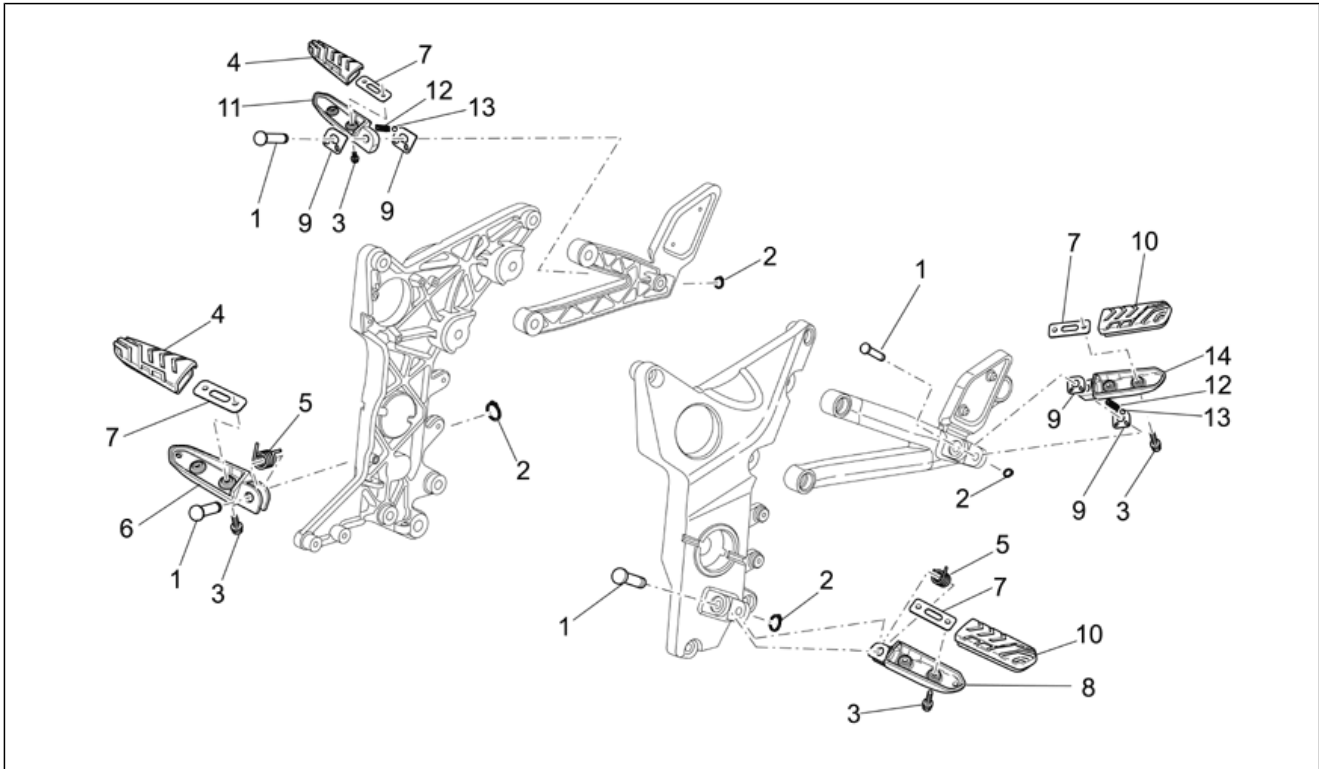
Pos.	Code	Description	Qty	Variants
1	977350	Frame assy black	1	
2	GU98682650	Hex socket screw M12x50	2	
3	GU30217900	Washer 13x18x1,7	2	
4	GU05425530	RH plate	1	
5	AP8152288	Screw w/ flange	2	
6	AP8221160	Pin M12	1	
7	GU95008313	Washer 13x24x2,5	4	
8	AP8150432	Low self-locking nut M12*	2	
9	AP8221307	Pin M12	1	
10	AP8220238	Rubber spacer	2	
11	AP8220162	Rubber spacer	4	
12	GU28576591	Clip M6	7	
13	AP8102375	Clip m5	8	
14	GU06409800	Gasket	3	
15	GU06461300	Guard	1	
16	977050	Guard decal	2	
17	978146	Silencer supp. plate	1	

Group	FRAME
Code	33.02
Description	Lateral stand
Service	1



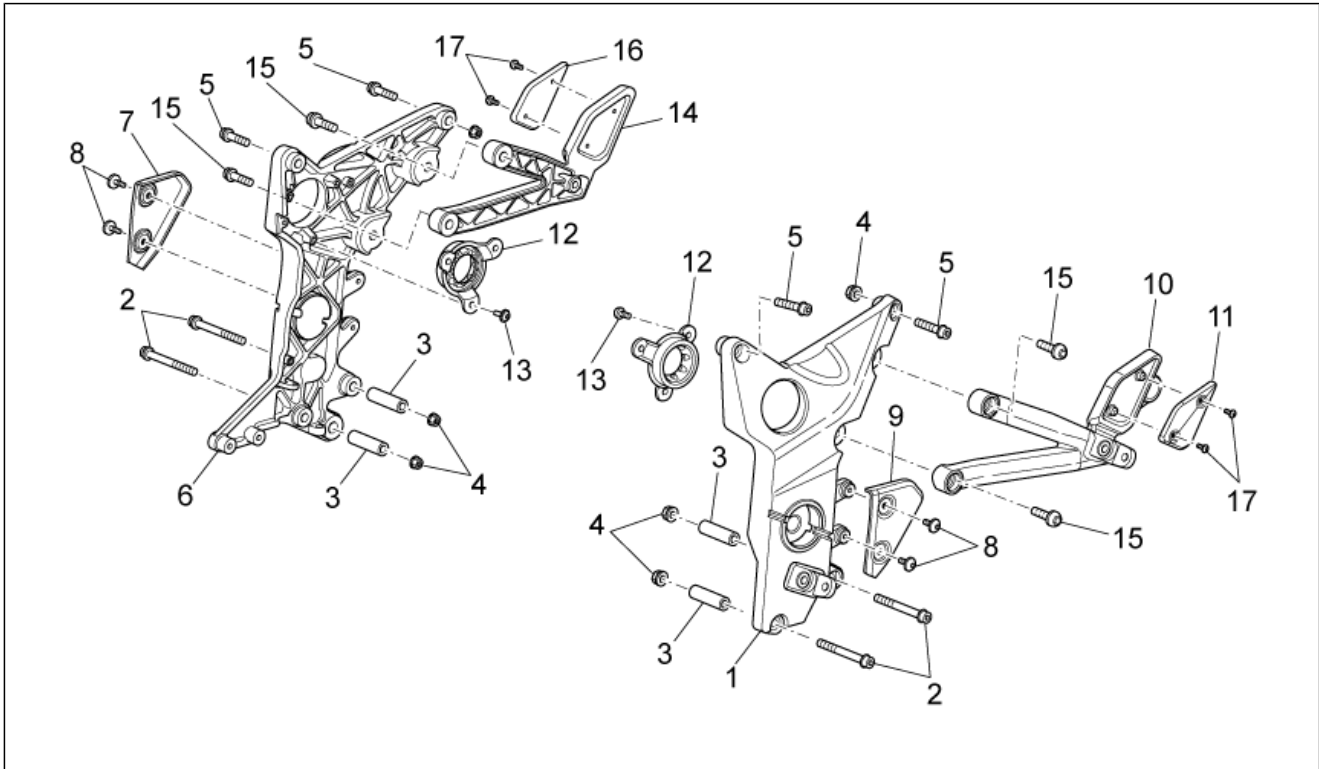
Pos.	Code	Description	Qty	Variants
1	977067	Lateral stand	1	Technical Specifications: With linear switch,[V2]
1	GU06432100	Lateral stand	1	Technical Specifications: With rotary switch,[V1]
2	GU06431900	Lever	1	
3	GU06431700	Gasket	1	
4	AP8121795	T bush	2	
5	GU98682316	Hex socket screw M6x16	2	
6	GU95005324	Washer 12,5x23x1,5	2	
7	AP8121014	Coil pull spring *	1	
8	AP8221197	Lateral stand spring	1	
9	AP8102524	Stand spring protection	1	
10	GU06433500	Stand plate	1	Technical Specifications: With rotary switch,[V1]
11	AP8152473	Screw w/ flange	1	
12	AP8152287	Screw w/ flange M8x25	2	
13	AP8121607	Central stand fixing screw	1	
14	AP8150292	Curved spring washer *	1	
15	AP8152001	Low nut M10x1,25	1	
16	AP8127319	Rotary switch	1	
17	GU98350320	Hex socket screw M6x20	1	
18	GU06759300	Fairlead	1	
19	AP8221225	Bush	1	
20	GU98371020	Hex socket screw	1	
21	GU00823923140	Thermal sheath	1	
22	977292	Adapter cable	1	Technical Specifications: With linear switch,[V2]
22	977571	Adapter cable	1	Technical Specifications: With rotary switch,[V1]
23	977065	Stand plate	1	Technical Specifications: With linear switch,[V2]
24	639542	Button for the side stand	1	
25	GU98612220	Hex socket screw	2	
26	AP8152306	Self-locking nut m5	1	

Group	FRAME
Code	33.03
Description	Foot rests I
Service	1



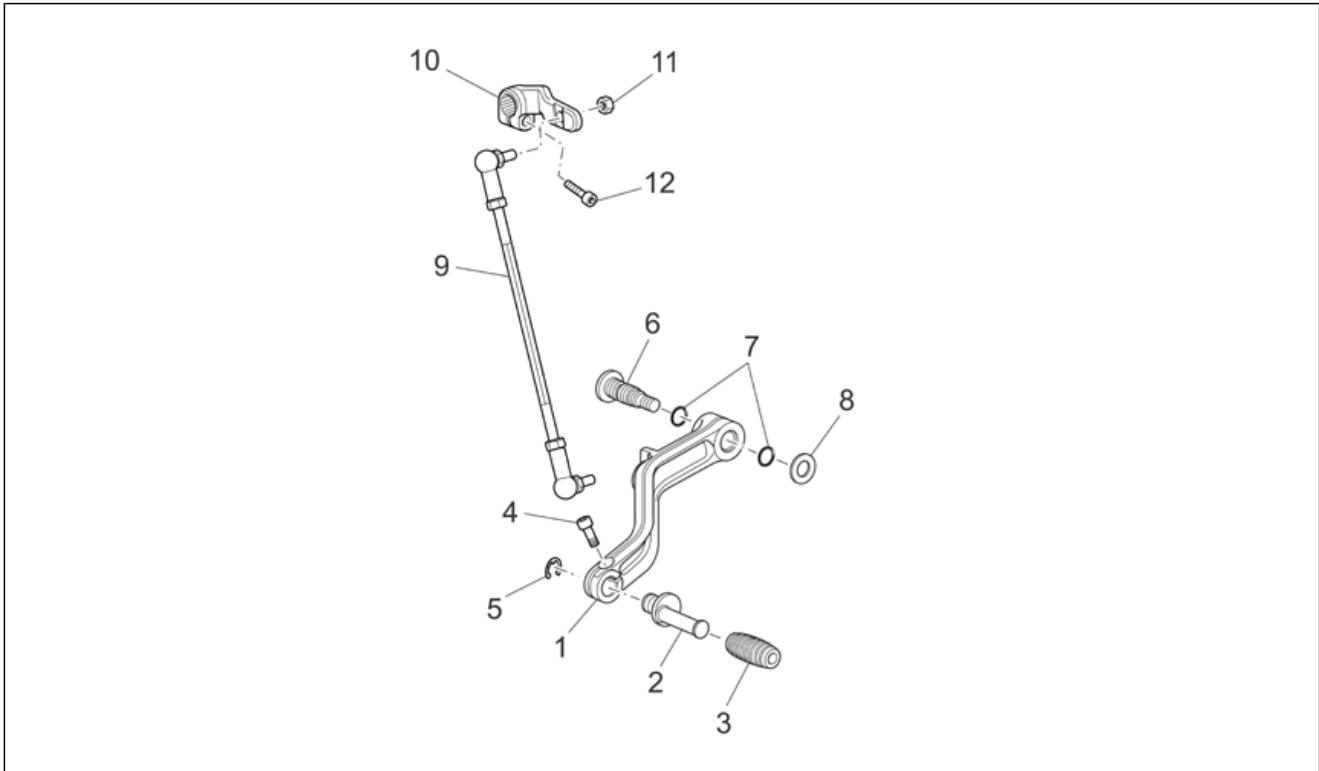
Pos.	Code	Description	Qty	Variants
1	AP8121567	Pin	4	
2	AP8152409	Stop ring	4	
3	AP8152277	Screw w/ flange M6x12	8	
4	GU32443210	Support rubber part	2	
5	AP8221277	Footrest return spring	2	
6	AP8145034	RH Foot rests	1	
7	GU32441210	Plate	4	
8	AP8145035	LH Foot rests	1	
9	AP8134451	Footrest plate	4	
10	GU32443211	Support rubber part	2	
11	GU32442310	Rear footrest, RH	1	
12	AP8121133	Coil compress. spring	2	
13	AP8101861	Ball D6,35	2	
14	GU32442710	Rear footrest, LH	1	

Group	FRAME
Code	33.04
Description	Foot rests II
Service	1



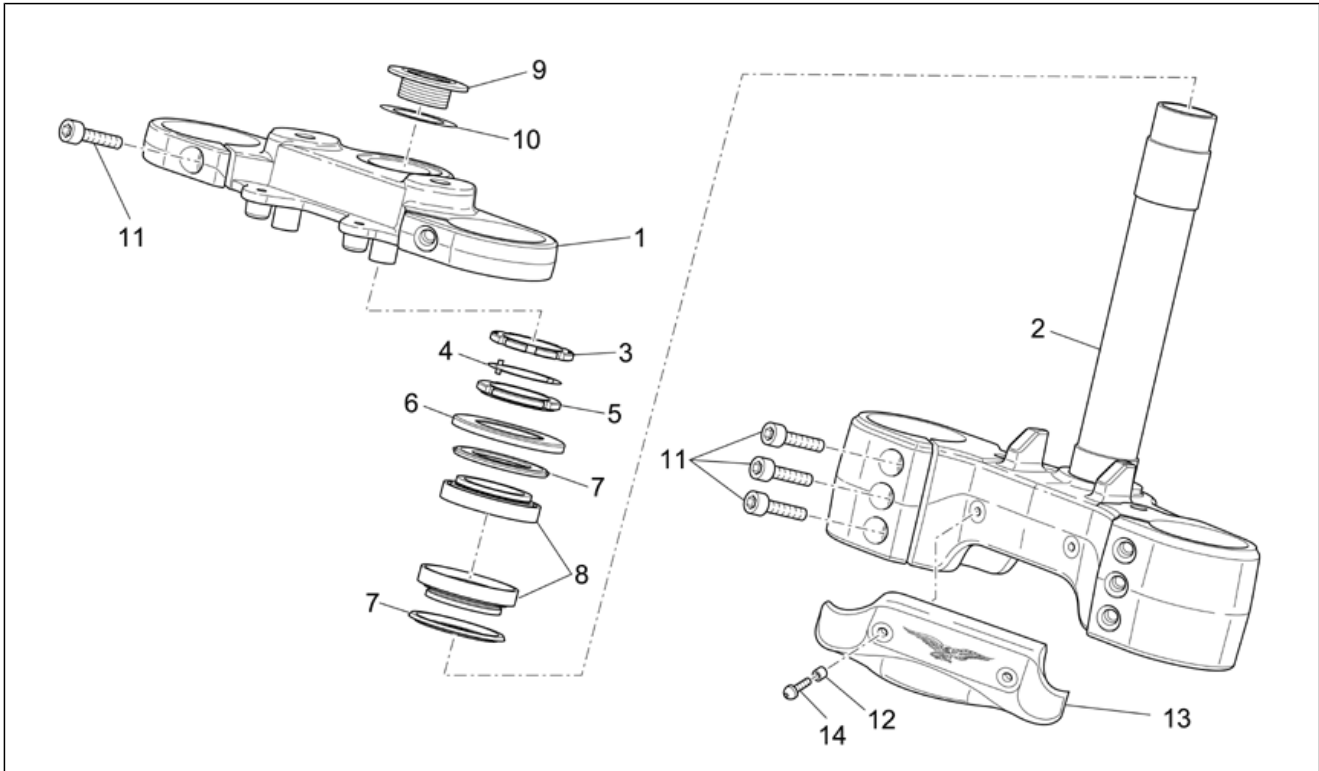
Pos.	Code	Description	Qty	Variants
1	977053	LH plate	1	
2	GU98700475	Screw M8x75	4	
3	AP8121805	Spacer 8,2x14x49,5	4	
4	AP8152300	Self-locking nut M8	6	
5	GU98700430	Screw M8x30	4	
6	977052	RH plate	1	
7	GU06445900	RH protection	1	
8	GU98710215	Screw	4	
9	GU06445901	LH protection	1	
10	GU06446000	LH footrest support	1	
11	GU06447501	LH protection	1	
12	GU05446431	Ring	2	
13	GU98350210	Hex socket screw	6	
14	GU06443500	RH foot rest support	1	
15	GU98700530	Screw M10x30	4	
16	GU06447500	RH protection	1	
17	GU98370412	Hex socket screw M4x12	4	

Group	FRAME
Code	33.05
Description	Gear lever
Service	1



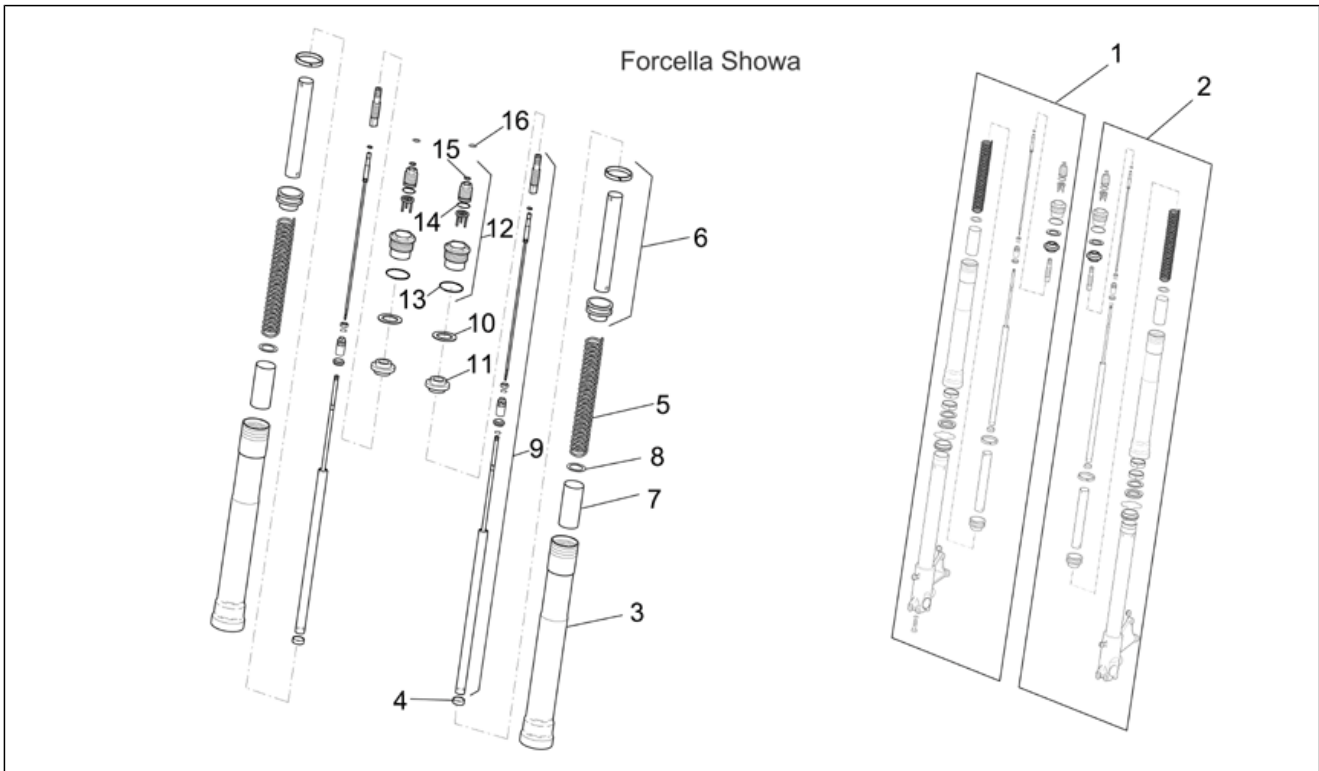
Pos.	Code	Description	Qty	Variants
1	GU06250900	Gear lever	1	
2	AP8121221	Brake lever pin	1	
3	AP8120912	Lever rubber	1	
4	GU98682316	Hex socket screw M6x16	1	
5	AP8150462	Circlip d9	1	
6	AP8121223	Rear brake lever pin	1	
7	AP8144007	O-ring 11,11x1,78	2	
8	GU95008210	Washer 10,2X18X2	1	
9	GU06257800	Change gear tie rod compl.	1	
10	GU05256930	Lever	1	
11	GU92630707	Nut	2	
12	GU98682320	Hex socket screw M6x20	1	

Group	FRAME
Code	33.06
Description	Steering
Service	1



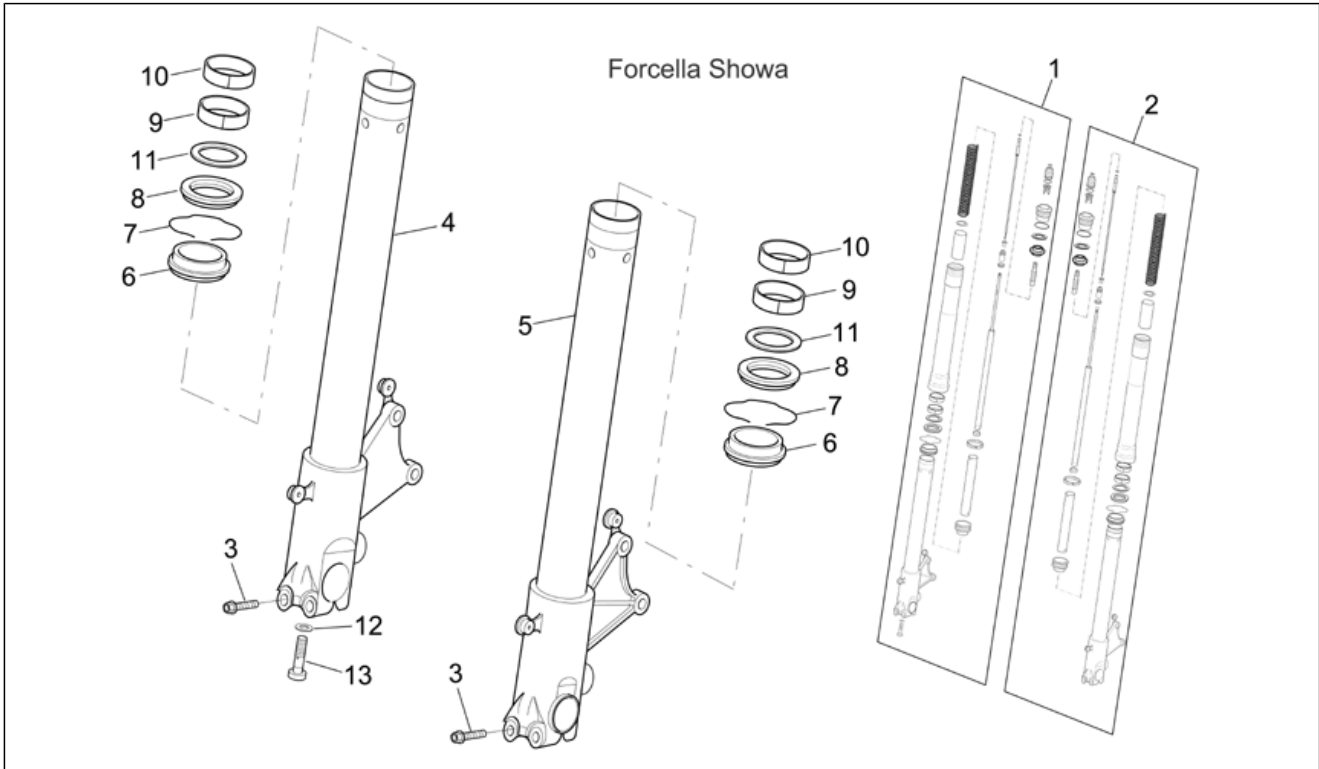
Pos.	Code	Description	Qty	Variants
1	GU06493100	Fork upper plate	1	
2	GU06494000	Stem base	1	
3	AP8123643	Return ring nut	1	
4	AP8121207	Steering security plate	1	
5	AP8123642	Ring nut	1	
6	AP8123644	Dust cover ring	1	
7	AP8123641	Dust cover ring	2	
8	AP8110077	Axial ball bearing	2	
9	AP8121346	Upper plate fixing bush	1	
10	AP8152384	Stem plug washer	1	
11	GU98700430	Screw M8x30	8	
12	AP8221036	Bushing 5,3x8x7,1	2	
13	GU05658431	Brake hose fixing plate	1	
14	AP8152298	Screw w/ flange M5x16	2	

Group	FRAME
Code	33.07
Description	Front fork
Service	1



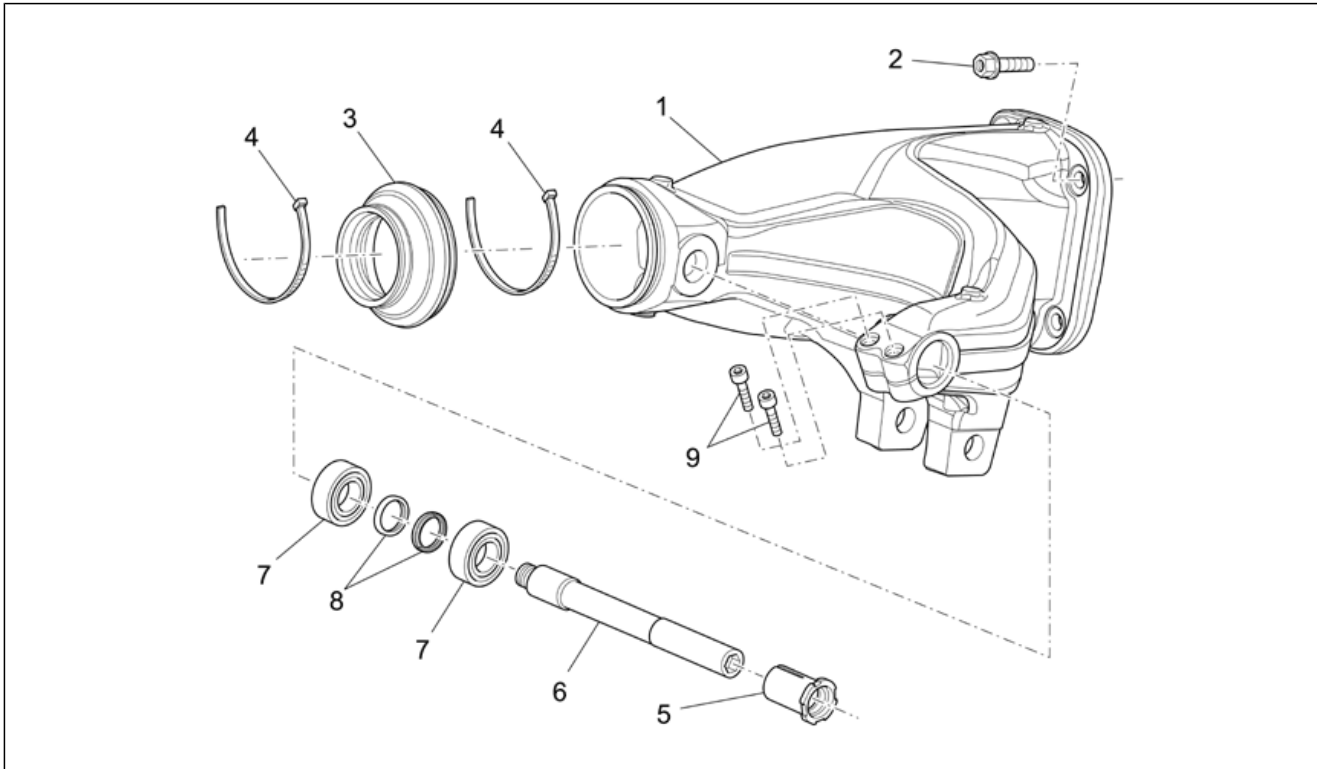
Pos.	Code	Description	Qty	Variants
1	AP8123637	RH hub cpl.	1	
2	AP8123638	LH hub cpl.	1	
3	AP8123829	Sleeve	2	
4	AP8123810	Plunger attachment bush	2	
5	AP8123831	Spring	2	
6	AP8123832	Preload tube cpl.	2	
7	AP8123835	Spacer	2	
8	AP8123836	Washer	2	
9	AP8123830	Plunger, complete	2	
10	AP8123816	Washer	2	
11	AP8123815	Ring	2	
12	AP8123833	Sleeve plug cpl.	2	
13	AP8123834	O-ring	2	
14	AP8123819	O-ring	2	
15	AP8123820	O-ring	2	
16	AP8123821	Stop ring	2	

Group	FRAME
Code	33.08
Description	Front fork
Service	1



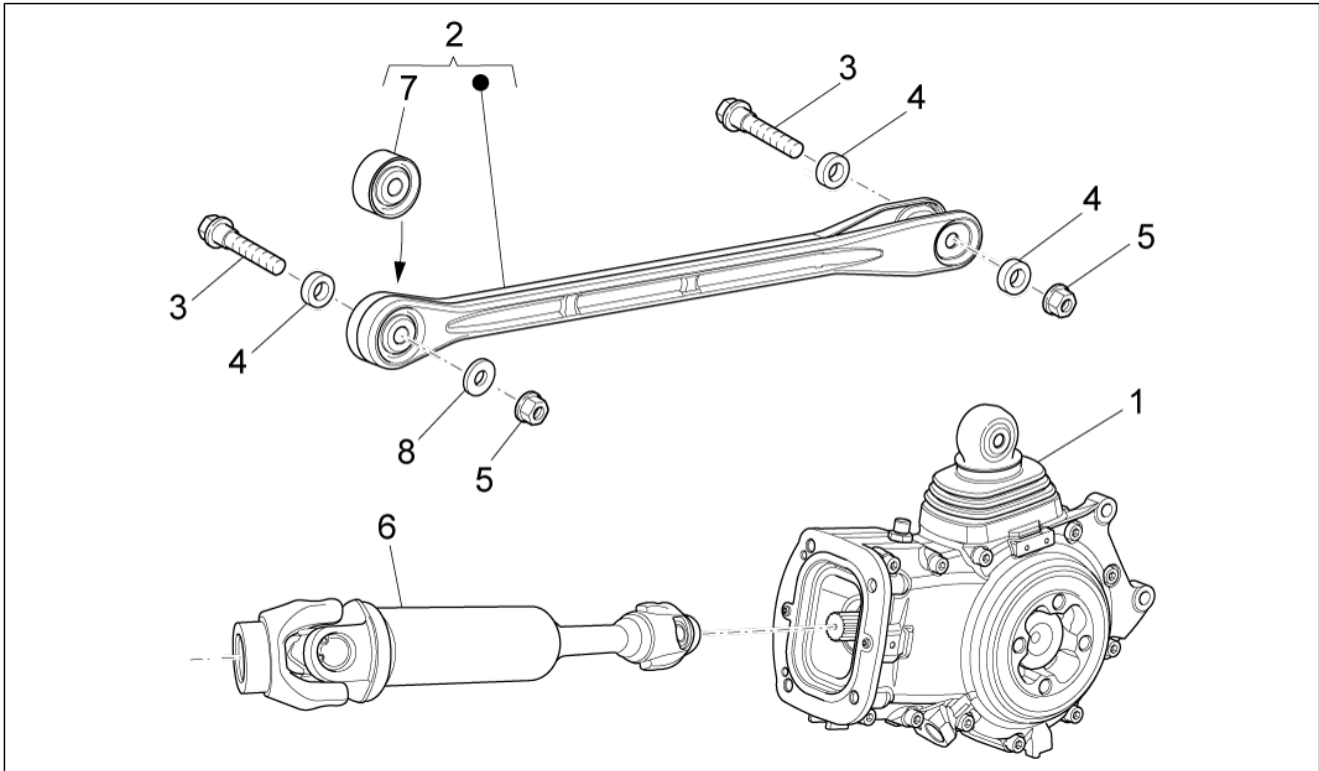
Pos.	Code	Description	Qty	Variants
1	AP8123637	RH hub cpl.	1	
2	AP8123638	LH hub cpl.	1	
3	AP8152290	Screw w/ flange M8x40	4	
4	AP8123822	Hub+RH fork leg	1	
5	AP8123823	Hub+LH fork leg	1	
6	AP8123824	Dust cover	2	
7	AP8123806	Circlip	2	
8	AP8123825	Oil seal	2	
9	AP8123827	Bush D.47,1xd.43xh.20	2	
10	AP8123828	Bush D.44,5xd.41,1xh.20	2	
11	AP8123826	Ring	2	
12	AP8123811	Special washer	2	
13	AP8123812	screw M10x1,5	2	

Group	FRAME
Code	33.09
Description	Swing arm
Service	1



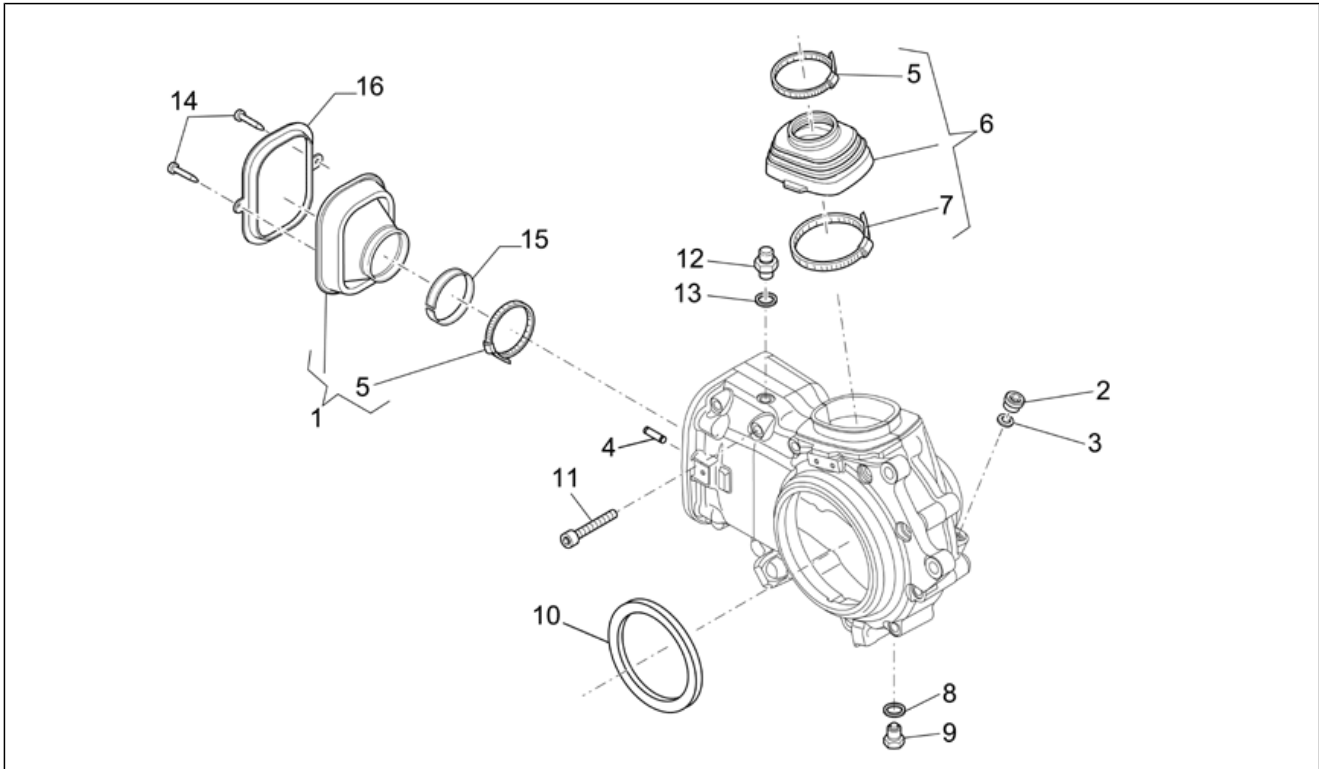
Pos.	Code	Description	Qty	Variants
1	977261	Swingarm	1	
2	AP8152318	Screw w/ flange M10x35	4	
3	GU05548030	Rubber bellows	1	
4	GU93304390	Hose clamp 3,6x375	2	
5	GU05547130	Bush	1	
6	GU05547030	Pin	1	
7	GU92249224	Roller bearing 25x47x17	2	
8	GU05547930	Gasket ring	2	
9	GU98682325	Hex socket screw M6x25	2	

Group	FRAME
Code	33.10
Description	Transmission complete
Service	1



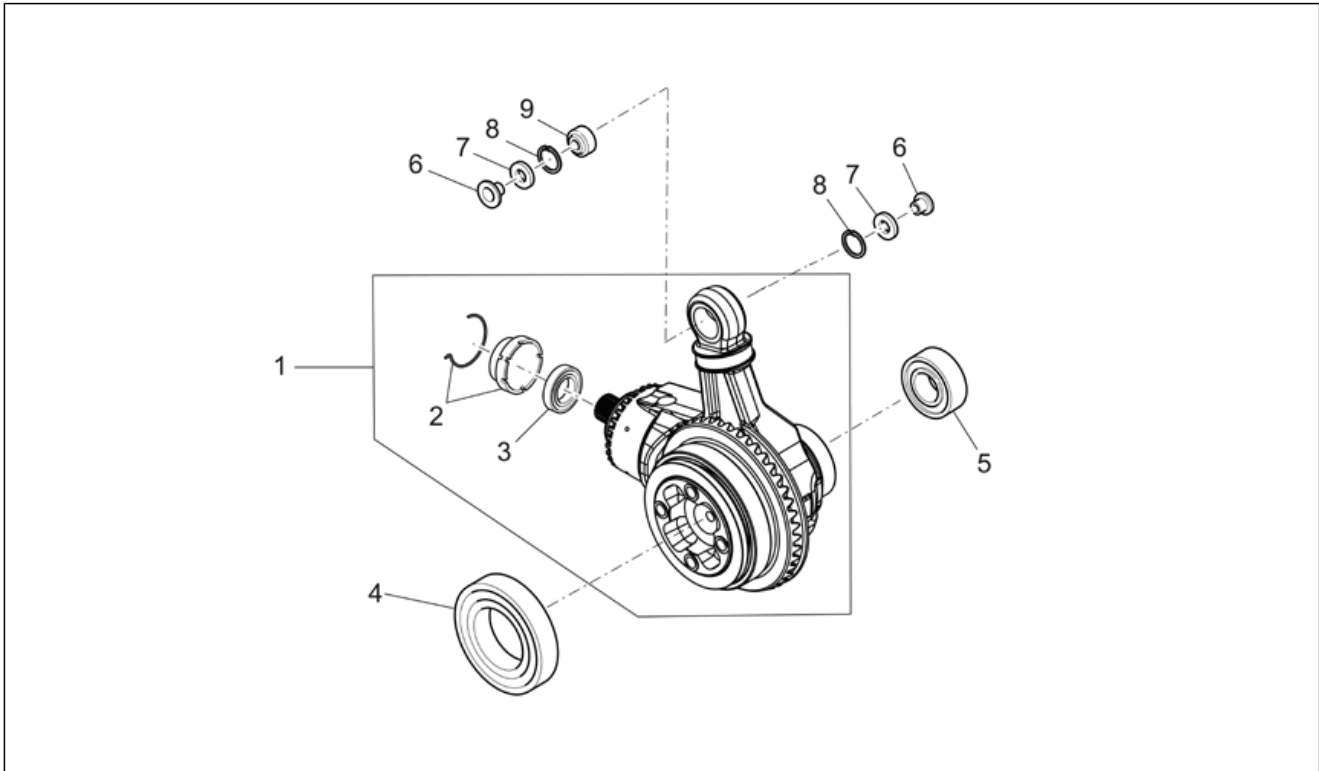
Pos.	Code	Description	Qty	Variants
1	976126	Transmission assygrey	1	
2	977262	Reaction rod assy.	1	
3	AP8152410	Screw w/ flange M10x55	2	
4	AP8121218	Spacer 10,2x20x4	3	
5	AP8152242	Nut	2	
6	GU05326330	Drive shaft	1	
7	883045	Silent-block	1	
8	GU14018400	Washer 10,5X21X1	1	

Group	FRAME
Code	33.11
Description	Trans.cpl.-Cage
Service	1



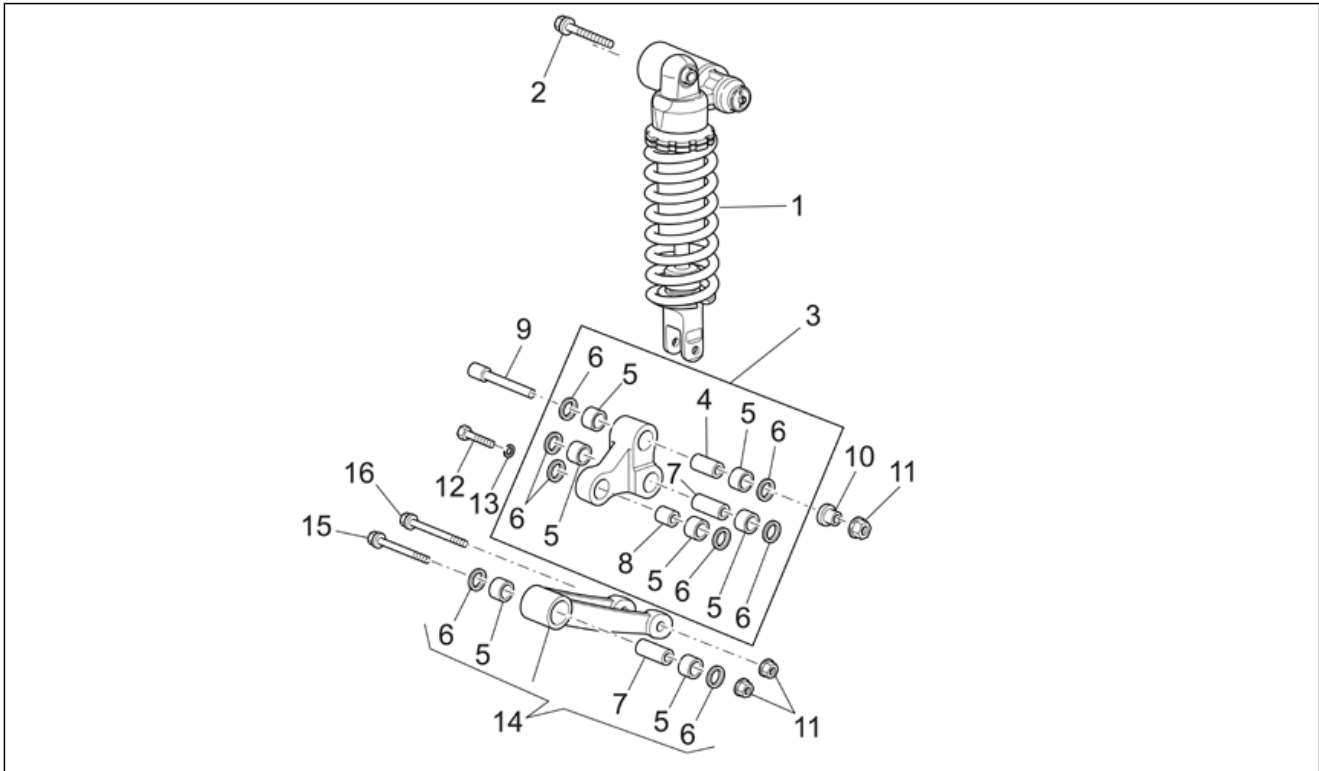
Pos.	Code	Description	Qty	Variants
1	GU05358330	Upper dust cover	1	
2	GU05351230	Oil plug M12x1,5	1	
3	GU90718120	Washer	1	
4	GU95510620	Pin 6x20	2	
5	GU05358130	Hose clamp	2	
6	GU05358030	Upper dust cover	1	
7	GU05358230	Hose clamp	1	
8	GU01528930	Gasket 10x18x1,5	1	
9	GU31003766	Oil unload plug M10x1	1	
10	GU90408511	Gasket ring 85x110x8BASL	1	
11	GU98680450	Hex socket screw M8x50	11	
12	GU05206530	Breather plug	1	
13	GU01528930	Gasket 10x18x1,5	1	
14	GU99210406	screw M3,9x6,5	2	
15	GU05358530	Ring	1	
16	GU05358630	Gasket	1	

Group	FRAME
Code	33.12
Description	Trans.cpl.-Bevel gear
Service	1



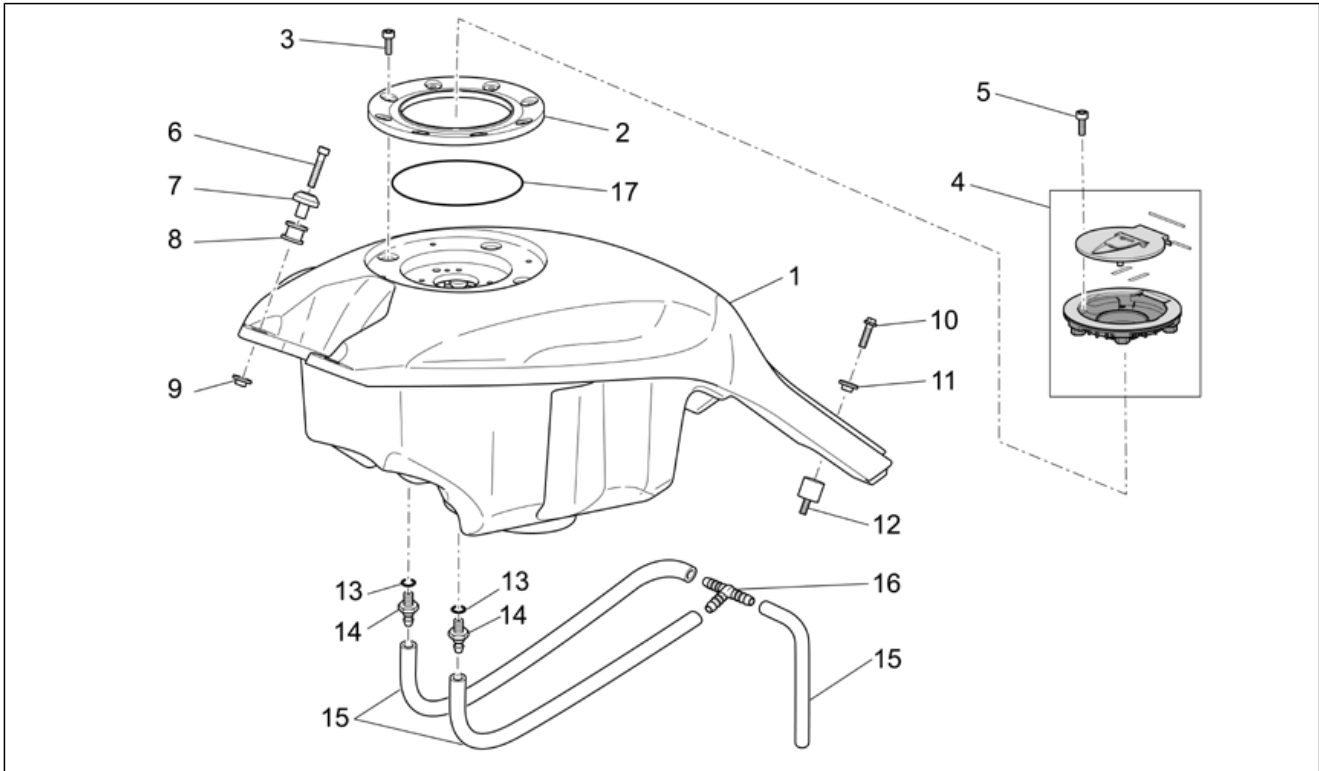
Pos.	Code	Description	Qty	Variants
1	GU05354230	Bevel gear kit 12/44	1	
2	GU05352430	Ring nut	1	
3	GU90404558	Gasket ring 45x58x7	1	
4	GU92208518	Ball bearing 85x120x18	1	
5	GU92204230	Ball bearing 30x62x16	1	
6	AP8121098	Bush	2	
7	AP8120485	Gasket ring	2	
8	GU90273026	Circlip	2	
9	GU05638130	Ball joint	1	

Group	FRAME
Code	33.13
Description	Connecting rod - rear shock abs.
Service	1



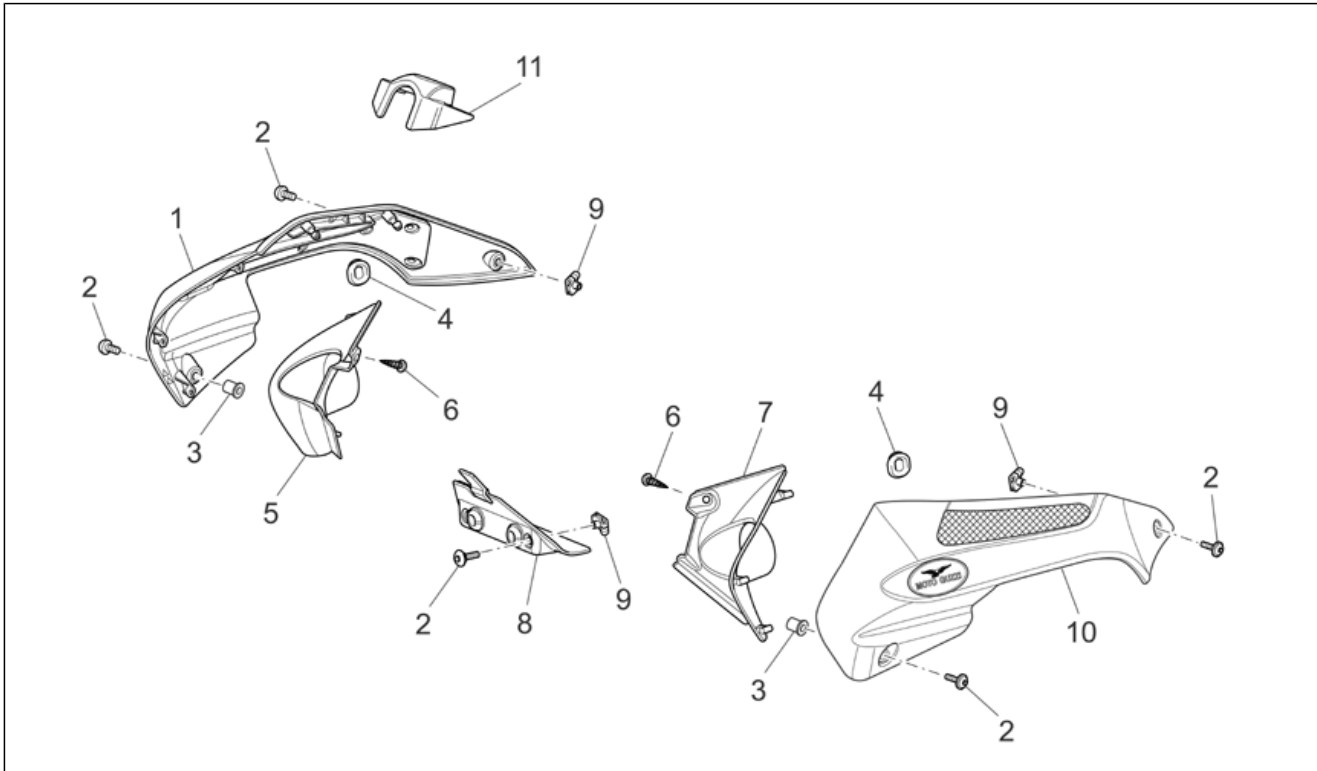
Pos.	Code	Description	Qty	Variants
1	GU06550200	Shock absorber	1	
2	AP8152398	Screw w/ flange M10x80	1	
3	GU05560330	Double conrod	1	
4	AP8135924	Double connecting rod pin L40	1	
5	AP8110066	Cage à rouleaux	7	
6	AP8110068	Oil seal D18x24x3	8	
7	GU05562030	Double connecting rod pin L47	2	
8	AP8135608	Double connecting rod pin L25	1	
9	AP8152397	Hex socket screw M10x82	1	
10	AP8121155	T bush *	1	
11	AP8152301	Self-locking nut	3	
12	AP8152147	Hex screw M10x47	1	
13	AP8150292	Curved spring washer *	1	
14	GU05562430	Single conrod comp.	1	
15	AP8152482	Screw w/ flange M10x85	1	
16	AP8152396	Screw w/ flange M10x95	1	

Group	FRAME
Code	33.14
Description	Fuel tank
Service	1



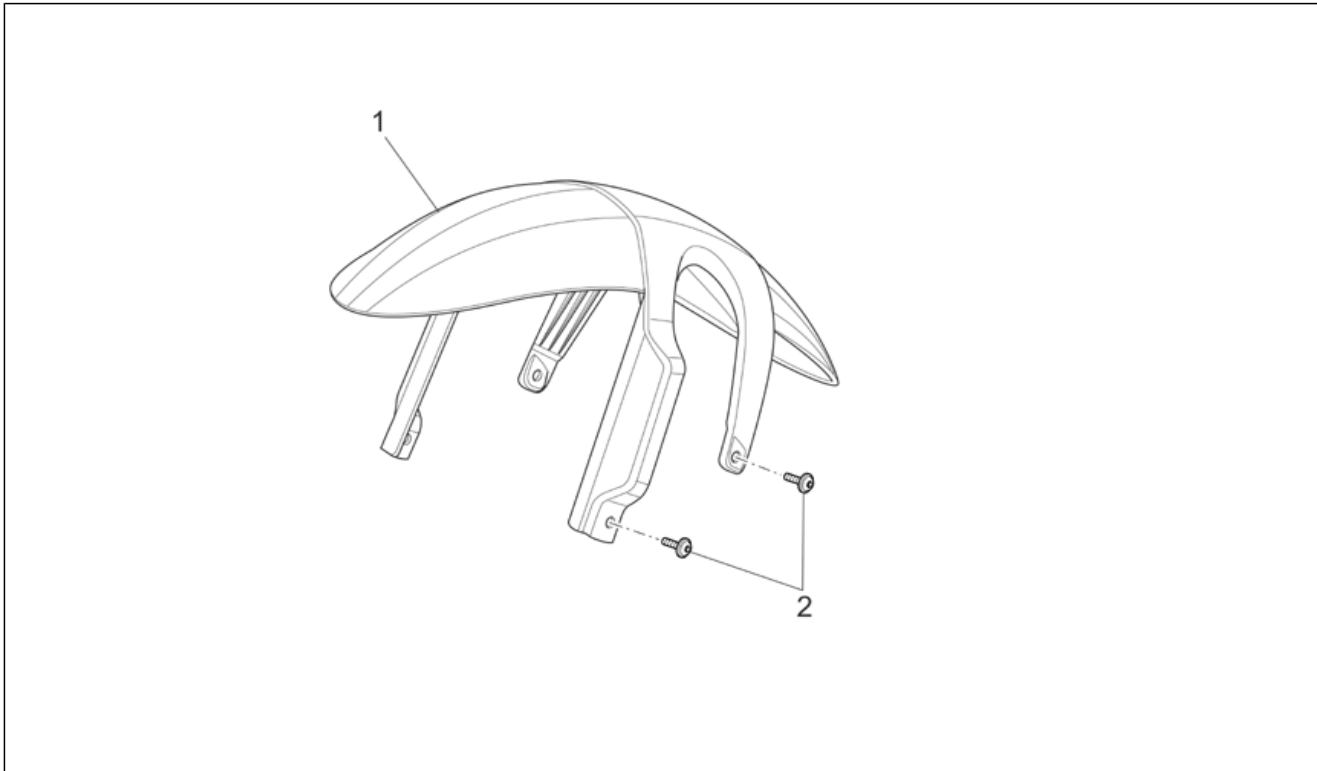
Pos.	Code	Description	Qty	Variants
1	GU06100200	Fuel tank blank	1	Vehicle colour:Blank[gr]
1	GU06100201	Fuel tank, black	1	Vehicle colour:Guzzi Black 2006-2007[g/bl]
1	GU06100202	Fuel tank red	1	Vehicle colour:Race Red 2006-2007[r/red]
1	GU06100204	Fuel tank, yellow	1	Vehicle colour:Sport Yellow 2007[s/ye]
2	GU06102300	Plug ring nut	1	
3	GU98710215	Screw	8	
4	GU06103900	Tank cap	1	
5	GU98692216	Hex socket screw	4	
6	GU98680340	Hex socket screw M6x40	2	
7	GU06107100	Fuel tank bush	2	
8	AP8144328	Rubber spacer	2	
9	AP8121075	T bush *	2	
10	AP8152280	Screw w/ flange M6x25	2	
11	GU06704901	T bush *	2	
12	GU93222023	Silent-block	2	
13	AP8120965	O-ring 2018	2	
14	GU30103730	Joint	2	
15	AP8220263	Breather pipe 4x8	3	
16	AP8104666	3-way union	1	
17	977062	O-ring 164,69X3,53	1	

Group	FRAME
Code	33.15
Description	Front body - Duct
Service	1



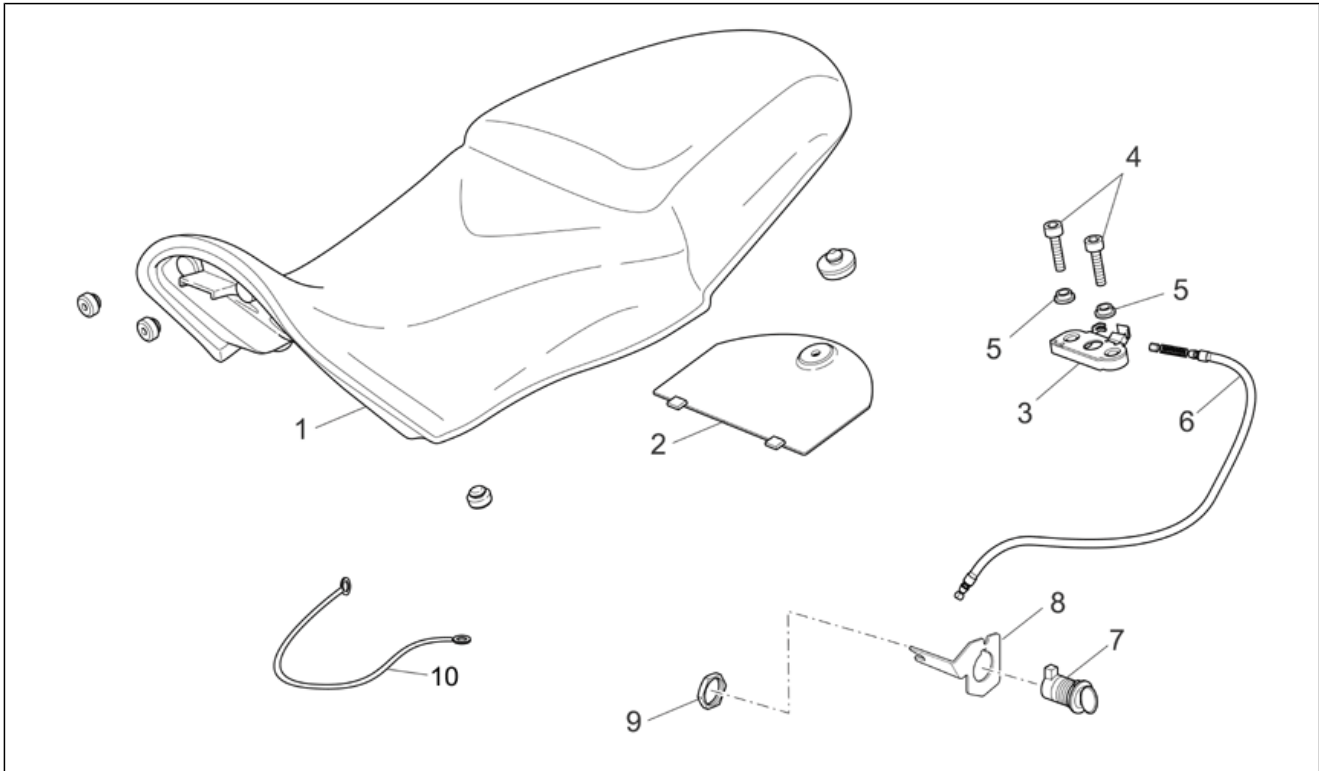
Pos.	Code	Description	Qty	Variants
1	GU06570201	RH air duct, black	1	Vehicle colour:Guzzi Black 2006-2007[g/bl]
1	GU06570202	RH air duct, red	1	Vehicle colour:Race Red 2006-2007[r/red]
1	GU06570204	RH air duct, yellow	1	Vehicle colour:Sport Yellow 2007[s/ye]
2	AP8152302	Screw w/ flange M5x12	6	
3	GU93231605	Antivibration bush	2	
4	AP8220162	Rubber spacer	4	
5	GU06576800	RH Covers	1	
6	AP8150413	Self-tap screw 3,9x14	6	
7	GU06576900	LH Covers	1	
8	GU06729800	Protection	1	
9	AP8102375	Clip m5	4	
10	GU06570301	LH air duct, black	1	Vehicle colour:Guzzi Black 2006-2007[g/bl]
10	GU06570302	LH air duct, red	1	Vehicle colour:Race Red 2006-2007[r/red]
10	GU06570304	LH air duct, yellow	1	Vehicle colour:Sport Yellow 2007[s/ye]
11	GU06783600	Guard	1	

Group	FRAME
Code	33.16
Description	Front mudguard
Service	1



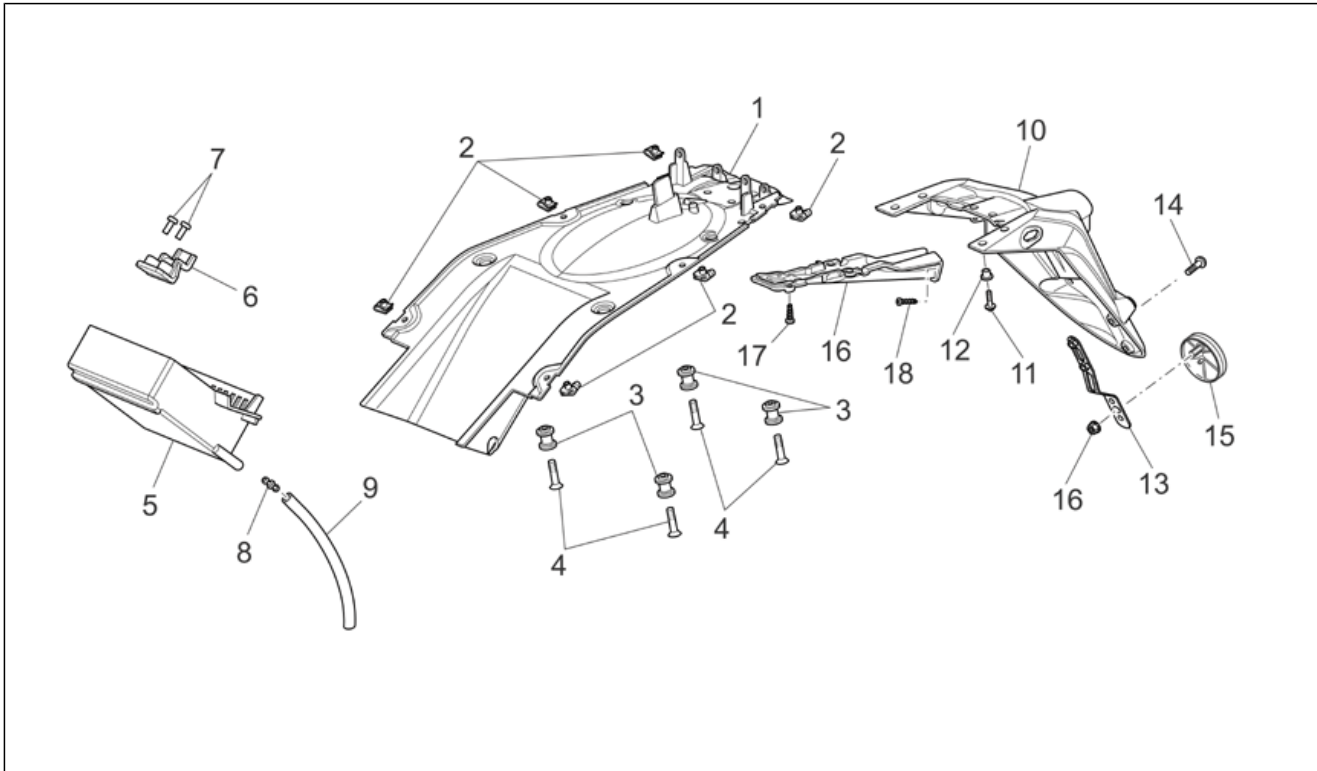
Pos.	Code	Description	Qty	Variants
1	GU06434300	Front mudguard blank	1	Vehicle colour:Blank[gr]
1	GU06434301	Front mudguard, black	1	Vehicle colour:Guzzi Black 2006-2007[g/bl]
1	GU06434302	Front mudguard, red	1	Vehicle colour:Race Red 2006-2007[r/red]
1	GU06434304	Front mudguard, yellow	1	Vehicle colour:Sport Yellow 2007[s/ye]
2	AP8152339	Screw w/ flange M5x9	4	

Group	FRAME
Code	33.17
Description	Saddle
Service	1



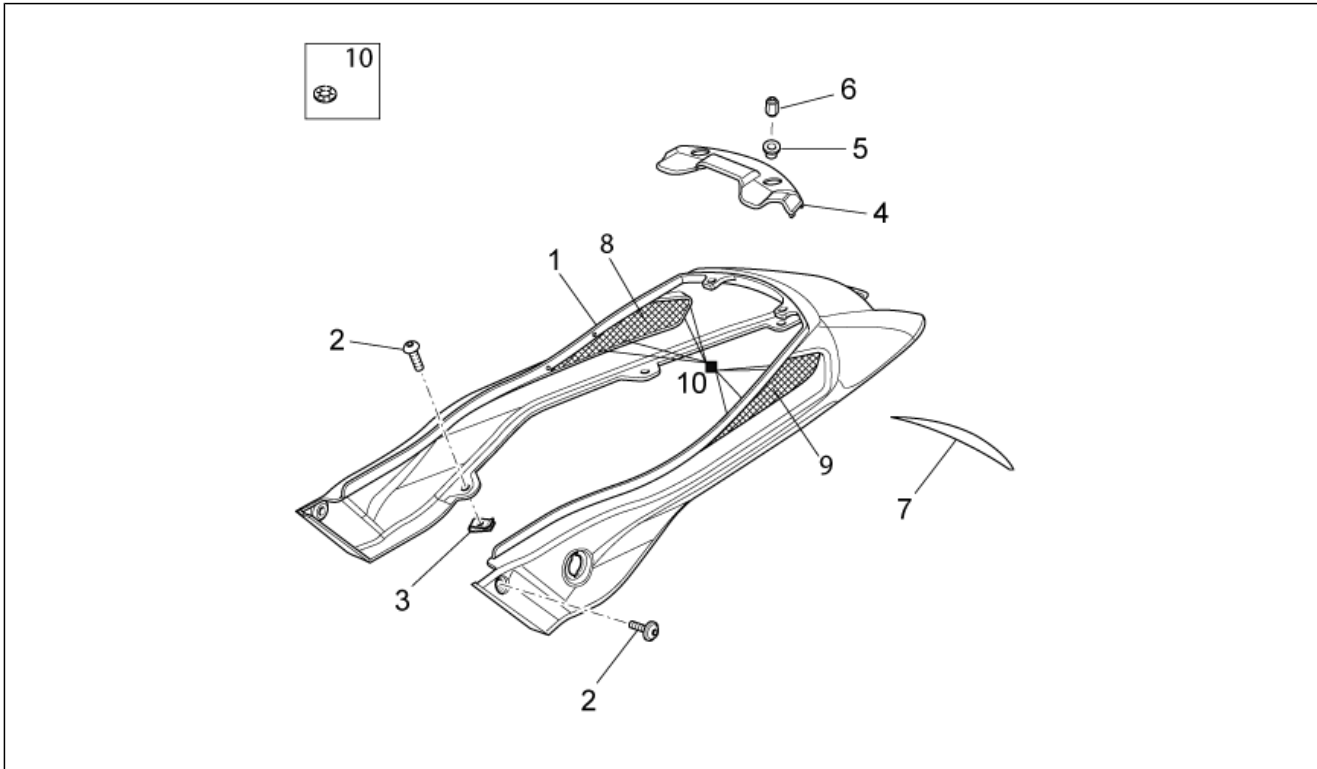
Pos.	Code	Description	Qty	Variants
1	GU06460500	Saddle	1	
2	GU06479600	Door	1	
3	AP8102913	Pass.saddle connecting plate	1	
4	GU98370625	Hex socket screw	2	
5	AP8152299	Self-locking nut M6	2	
6	GU06462100	Saddle release cable	1	
7	GU05466830	Saddle lock	1	
8	AP8134948	Plate	1	
9	AP8102523	Lock nut M22x1,5	1	
10	AP8102502	Helmet lock cable	1	

Group	FRAME
Code	33.18
Description	Rear body - Mudguard
Service	1



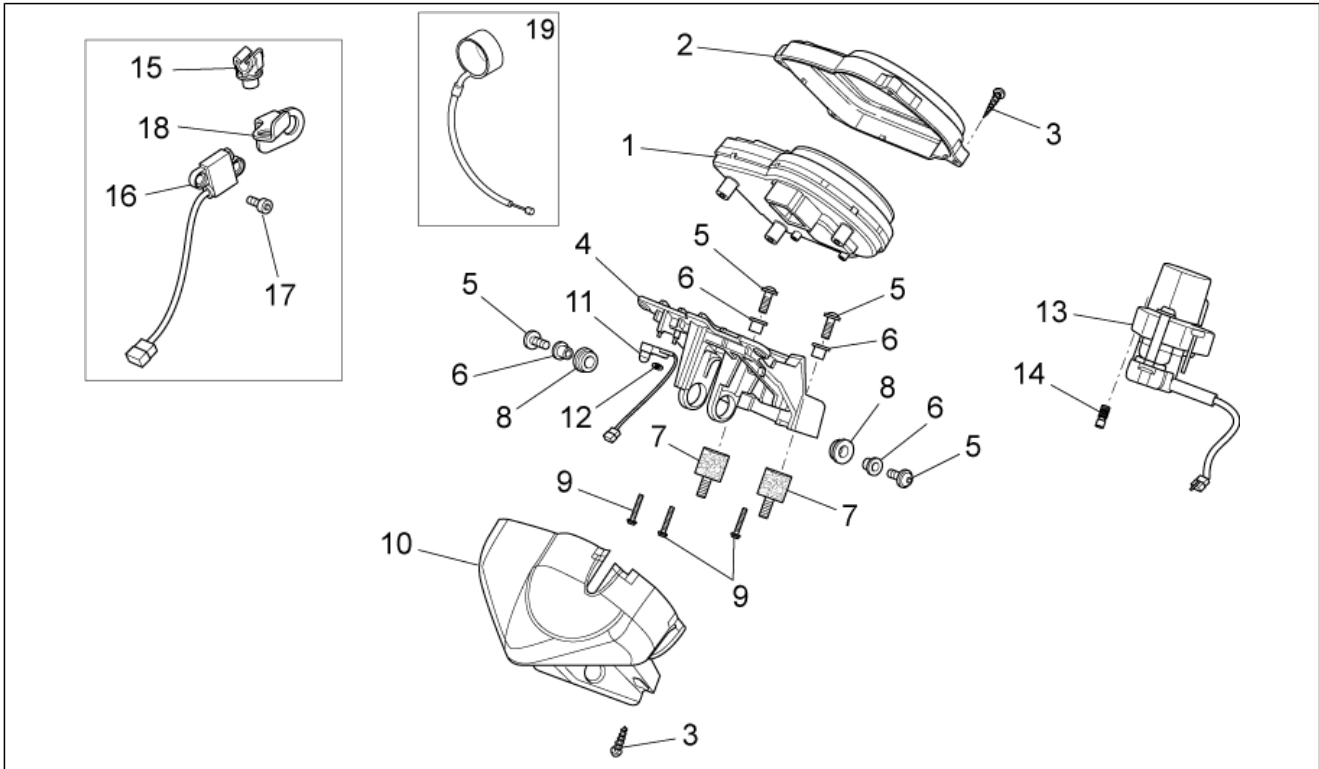
Pos.	Code	Description	Qty	Variants
1	GU06438700	Splash guard	1	
2	AP8102375	Clip m5	6	
3	GU06467300	Stud bolt	4	
4	GU98250835	screw	4	
5	GU06704800	Battery holder	1	
6	GU06418600	Battery fixing plate	1	
7	AP8150377	screw	2	
8	GU06704700	Joint	1	
9	AP8220263	Breather pipe 4x8	1	
10	GU06438600	Number plate holder	1	
11	GU98680222	Hex socket screw	6	
12	AP8121929	T bush 6,5x8,6x9	6	
13	AP8134448	Reflector support	1	
14	AP8152268	Hex socket screw M5x16	2	
15	AP8224164	Rear reflector, red	1	
16	GU06439200	Support	1	
17	AP8150413	Self-tap screw 3,9x14	2	
18	AP8150420	Self-tapping screw *	1	

Group	FRAME
Code	33.19
Description	Rear body - Rear fairing
Service	1



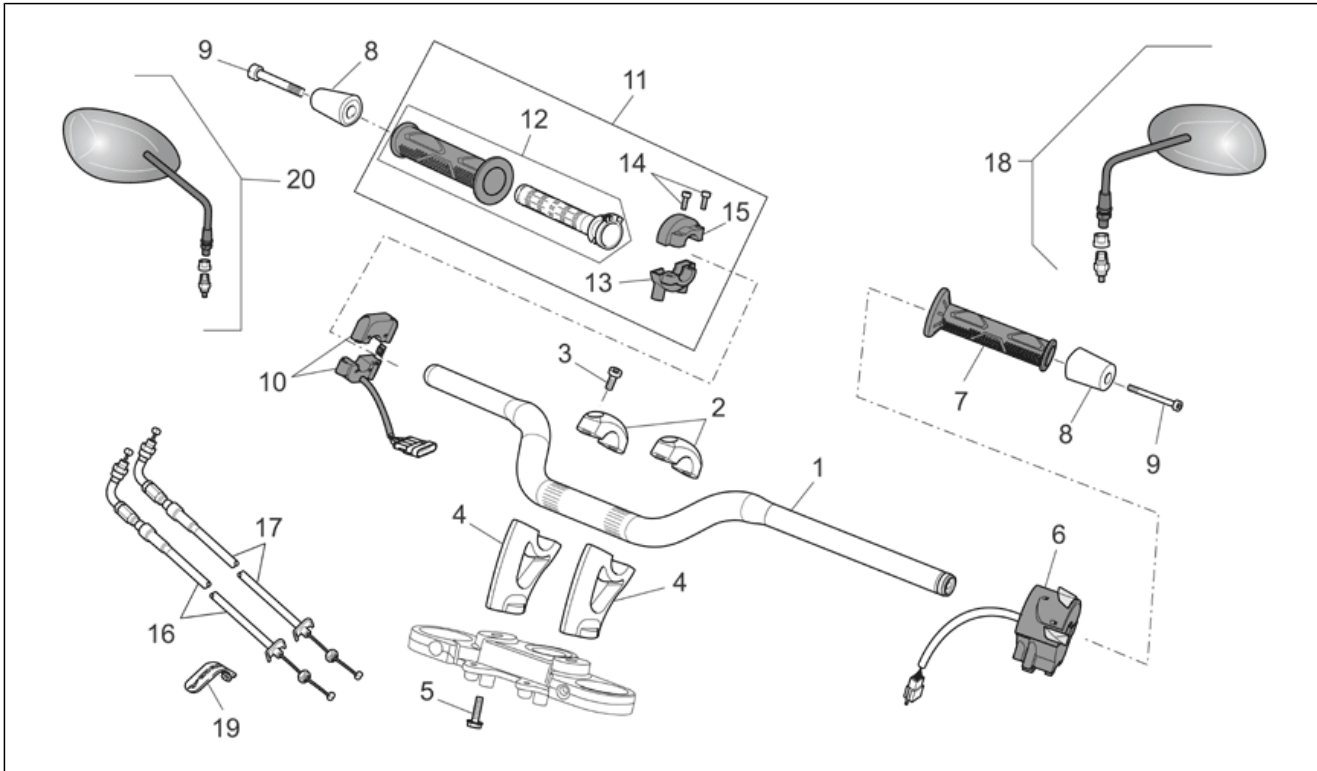
Pos.	Code	Description	Qty	Variants
1	GU06573101	Rear tail black	1	Vehicle colour:Guzzi Black 2006-2007[g/bl]
1	GU06573102	Rear tail red	1	Vehicle colour:Race Red 2006-2007[r/red]
1	GU06573104	Rear fairing, yellow	1	Vehicle colour:Sport Yellow 2007[s/ye]
2	AP8152302	Screw w/ flange M5x12	8	
3	AP8102375	Clip m5	6	
4	GU06573300	Covers	1	
5	AP8121929	T bush 6,5x8,6x9	2	
6	GU06469200	Spacer	2	
7	GU06741200	Vibration-damping rubber	1	
8	GU06571500	RH side panel guard	1	
9	GU06571600	LH side panel guard	1	
10	AP8150450	Washer for shafts D5	1	

Group	FRAME
Code	33.20
Description	Dashboard
Service	1



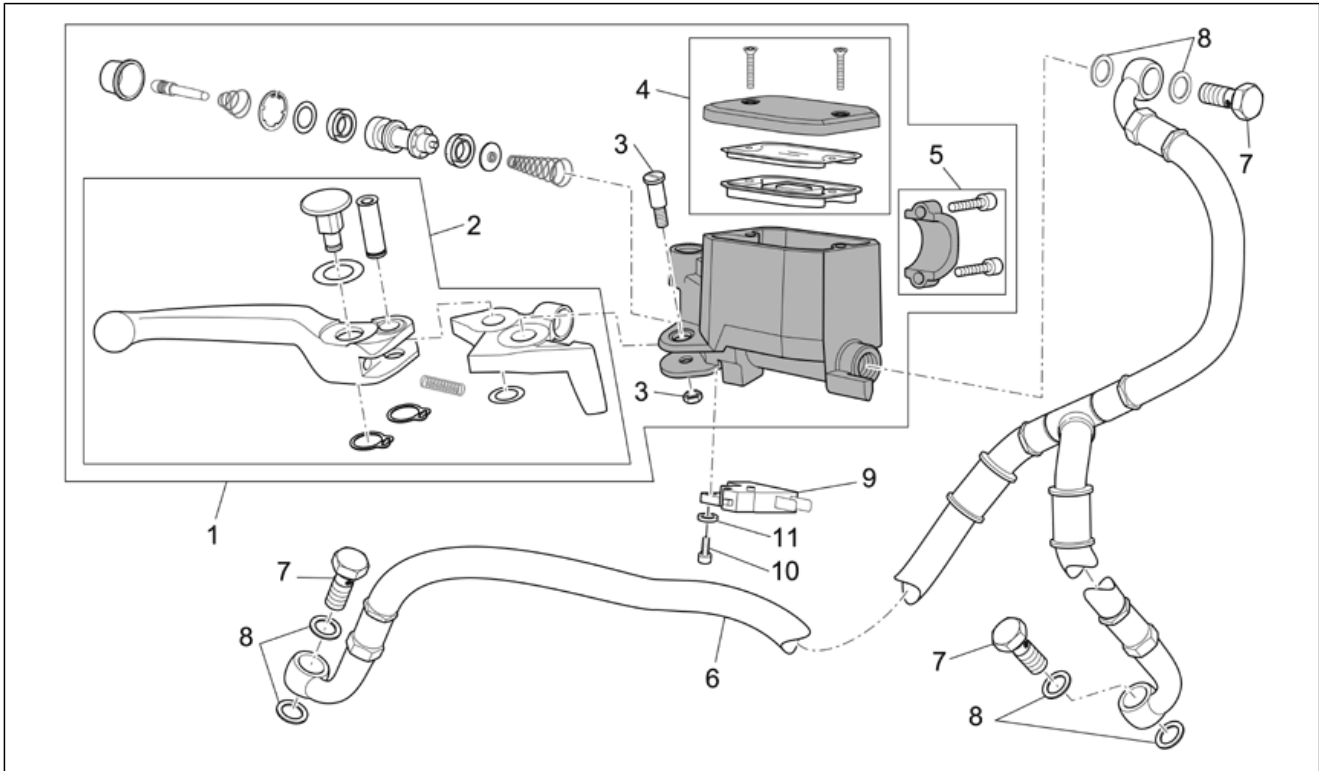
Pos.	Code	Description	Qty	Variants
1	GU06760000	Dashboard complete	1	
2	GU06765100	Instrum.frame, chrom.	1	
3	AP8221242	Spec. self-tap screw 3,5x20	7	
4	GU06764000	Socket support	1	
5	GU98210616	Screw w/ flange M6x16 inox	4	
6	AP8121795	T bush	4	
7	GU93222023	Silent-block	2	
8	AP8220228	Rubber spacer *	2	
9	AP8150509	Self-tap screw 5x14	3	
10	GU06765200	Lower dash.cover, chr.	1	
11	AP8124936	Air temp. Sensor	1	
12	GU90274002	Washer for shafts	2	
13	GU06782500	Main switch - steering lock	1	
14	GU97260435	screw	2	
15	AP8121882	Cable-guide	1	
16	GU06765400	Speedometer sensor cpl.	1	
17	AP8152043	Hex socket screw M4x10	2	
18	GU06765500	Fairlead	1	
19	981160	***ANTITHEFT ANTENNA	1	

Group	FRAME
Code	33.21
Description	Handlebar - Controls
Service	1



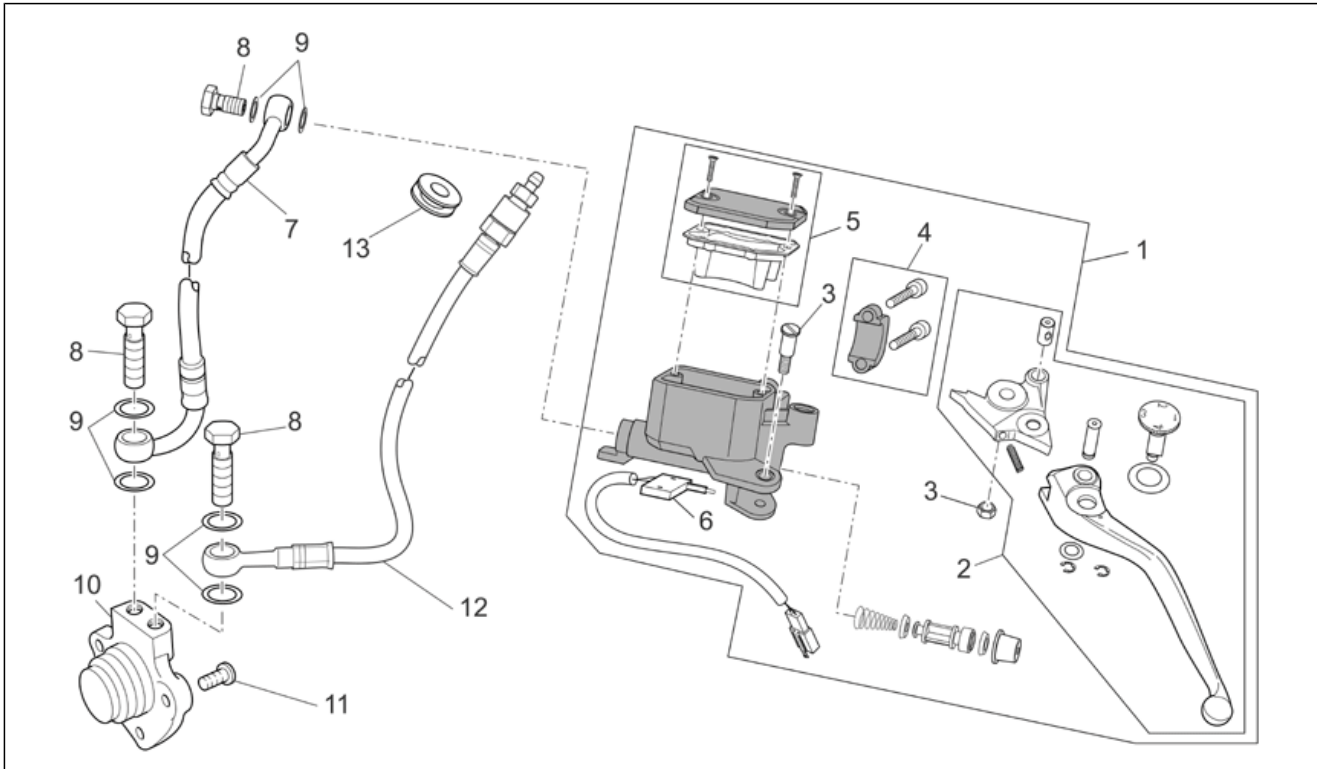
Pos.	Code	Description	Qty	Variants
1	GU06600300	Handlebar	1	
2	GU06500600	Upper U-bolt	2	
3	GU98700430	Screw M8x30	4	
4	GU06500200	Lower U-bolt	2	
5	AP8152325	Screw w/ flange	2	
6	AP8127703	LH lights selector	1	
7	AP8118579	LH hand grip	1	
8	GU06602800	Anti.v weight, chr.	2	
9	GU98250650	Screw M6x50	2	
10	B045021	RH lights selector	1	
11	GU05603331	Throttle cpl.	1	
12	GU01603480	RH hand grip	1	
13	AP8118502	Front gas lever U-bolt	1	
14	AP8118492	Cap screw	2	
15	AP8118503	Rear gas lever U-bolt	1	
16	GU06117500	Gas trasmission delivery	1	
17	GU06117800	Gas trasmission return	1	
18	883802	RH/LH rearview mirror	1	Vehicle colour:marcato "FU E11 81R-001047"[B]
18	GU32769860	LH rearview mirror	1	Vehicle colour:marked "FAR"[A]
19	GU01609630	Hose clamp L46 mm	4	
19	GU03609600	Hose clamp L36 mm	1	
20	883802	RH/LH rearview mirror	1	Vehicle colour:marcato "FU E11 81R-001047"[B]
20	GU32769460	RH rearview mirror	1	Vehicle colour:marked "FAR"[A]

Group	FRAME
Code	33.22
Description	Front master cilinder
Service	1



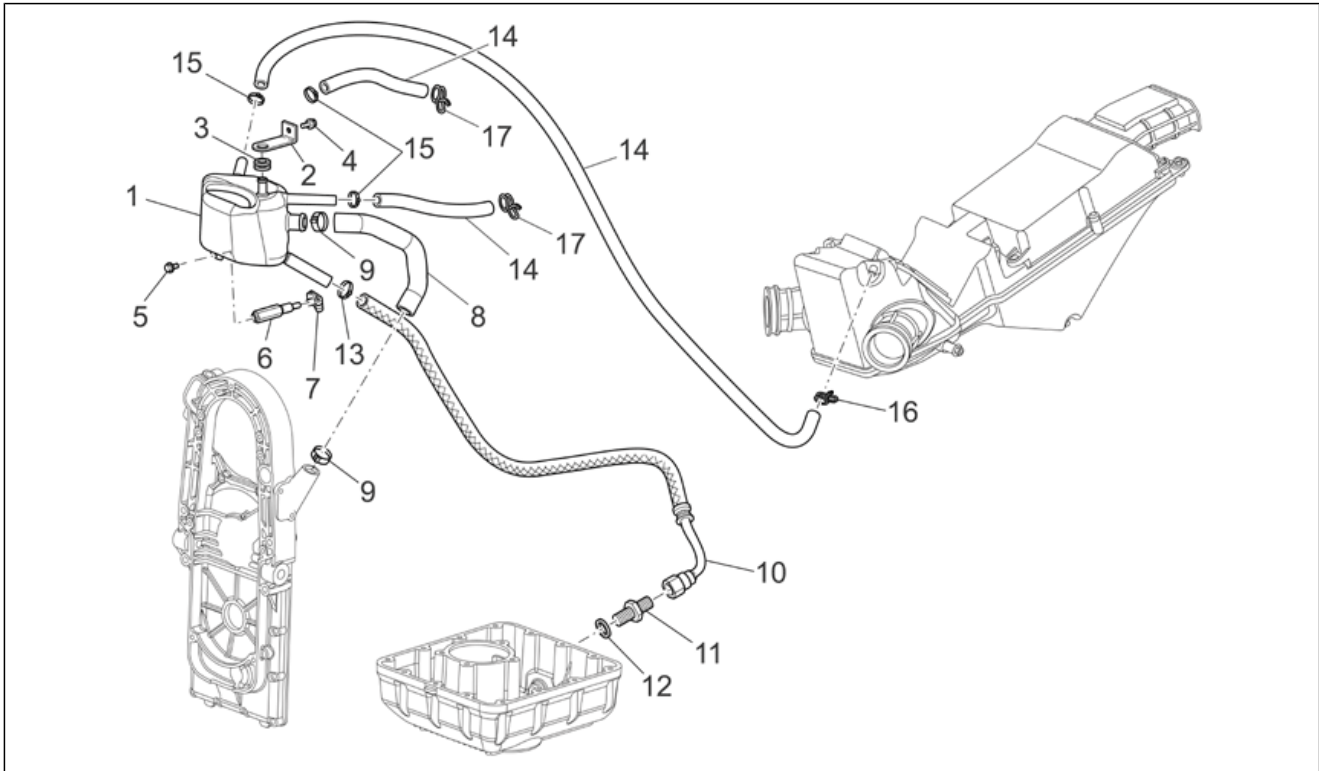
Pos.	Code	Description	Qty	Variants
1	978606	Front master cilinder	1	Technical Specifications: 2nd Serie[2A], Silver colour lever adjustment ring nut[SL]
1	GU05660130	Front master cilinder	1	Technical Specifications: 1st Serie[1A], Gold colour lever adjustment ring nut[GL]
2	981050	Front brake lever	1	Technical Specifications: 2nd Serie[2A], Silver colour lever adjustment ring nut[SL]
2	AP8133510	Front brake lever	1	Technical Specifications: 1st Serie[1A], Gold colour lever adjustment ring nut[GL]
3	AP8113995	Lever pin	1	
4	GU05661130	Tank cap	1	
5	AP8113993	U-bolt	1	
6	GU06658800	Front brake hose	1	
7	GU95990028	Oil pipe screw *	3	
8	GU25656100	Gasket	6	
9	GU03749845	Stop switch	1	
10	GU98370412	Hex socket screw M4x12	1	
11	GU95021104	Washer 4,3x8x1,5	1	

Group	FRAME
Code	33.23
Description	Clutch control complete
Service	1



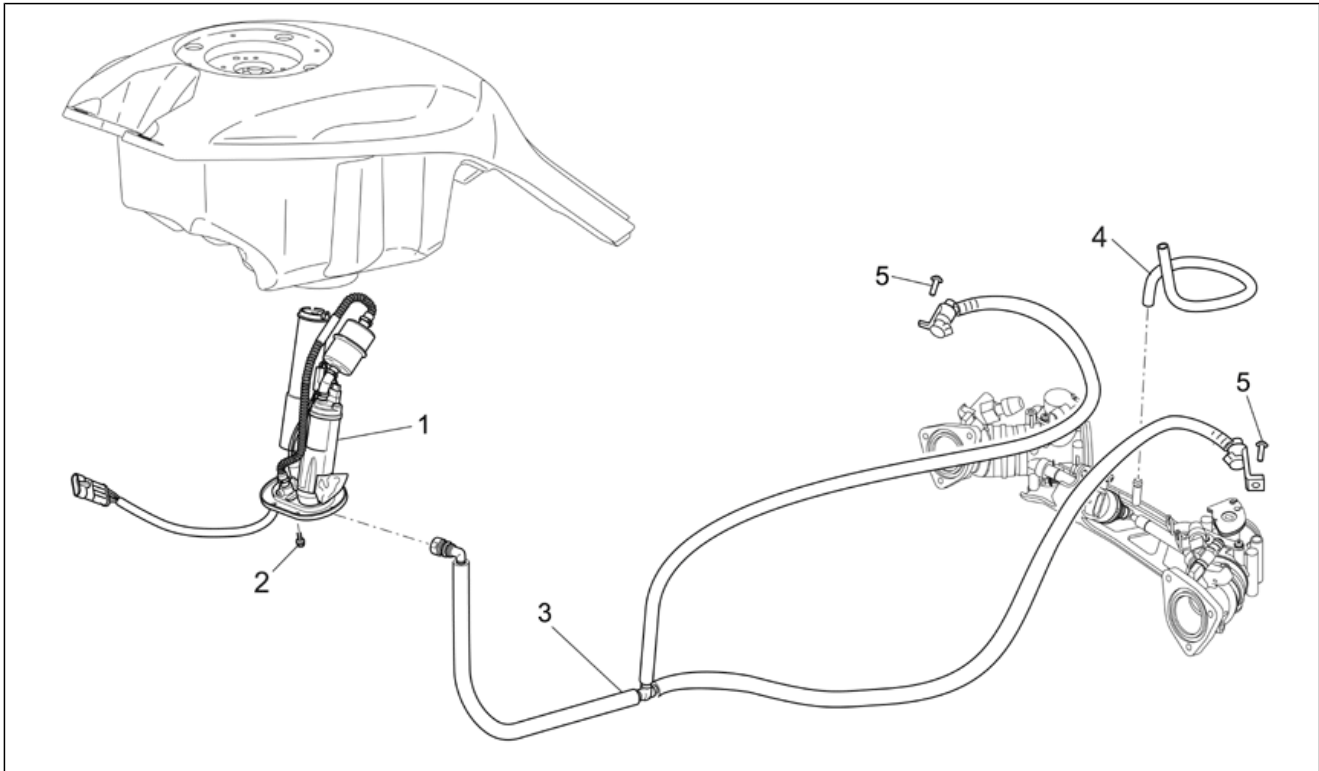
Pos.	Code	Description	Qty	Variants
1	978607	Clutch pump	1	Technical Specifications: 2nd Serie[2A], Silver colour lever adjustment ring nut[SL]
1	AP8106713	Clutch pump	1	Technical Specifications: 1st Serie[1A], Gold colour lever adjustment ring nut[GL]
2	981046	Clutch lever	1	Technical Specifications: 2nd Serie[2A], Silver colour lever adjustment ring nut[SL]
2	AP8118659	Clutch lever	1	Technical Specifications: 1st Serie[1A], Gold colour lever adjustment ring nut[GL]
3	GU03604845	Lever pin	1	
4	AP8113993	U-bolt	1	
5	AP8113997	Tank cap	1	
6	AP8113998	Microswitch	1	
7	GU06606500	Clutch pipe	1	
8	AP8133594	Oil pipe screw	3	
9	AP8121915	Gasket	6	
10	GU05086330	Clutch command cylinder	1	
11	AP8152278	Screw w/ flange M6x16	3	
12	GU05606630	Float chambe clutch pipe	1	
13	AP8120594	Rubber spacer	1	

Group	FRAME
Code	33.24
Description	Blow-by system
Service	1



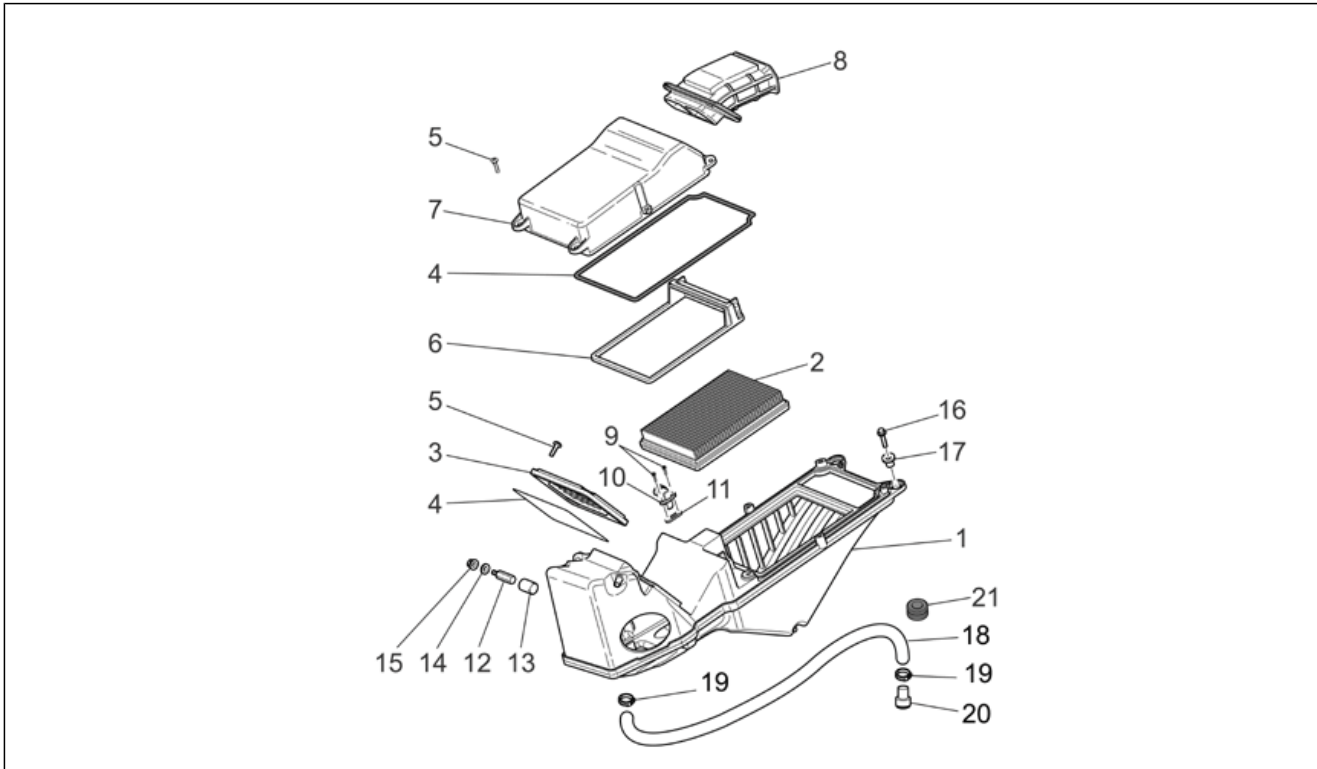
Pos.	Code	Description	Qty	Variants
1	GU06153400	Housing	1	
2	GU06412300	Plate	1	
3	AP8120030	Rubber spacer	1	
4	AP8152278	Screw w/ flange M6x16	1	
5	AP8152277	Screw w/ flange M6x12	1	
6	GU06164630	Spacer	1	
7	GU28576591	Clip M6	1	
8	GU06157600	Breather pipe	1	
9	GU28157750	Hose clip d.26x0,8	1	
10	GU06159300	Pipe	1	
11	GU01161331	Reduction	1	
12	GU01154230	Gasket	1	
13	AP8102765	White hose clip D.13,5x6	1	
14	GU00823955080	Breather pipe	3	
15	AP8102764	White hose clip d.13x6	1	
16	AP8102520	Hose clamp	1	
17	AP8201358	Hose clamp D 11,9	2	

Group	FRAME
Code	33.25
Description	Fuel supply
Service	1



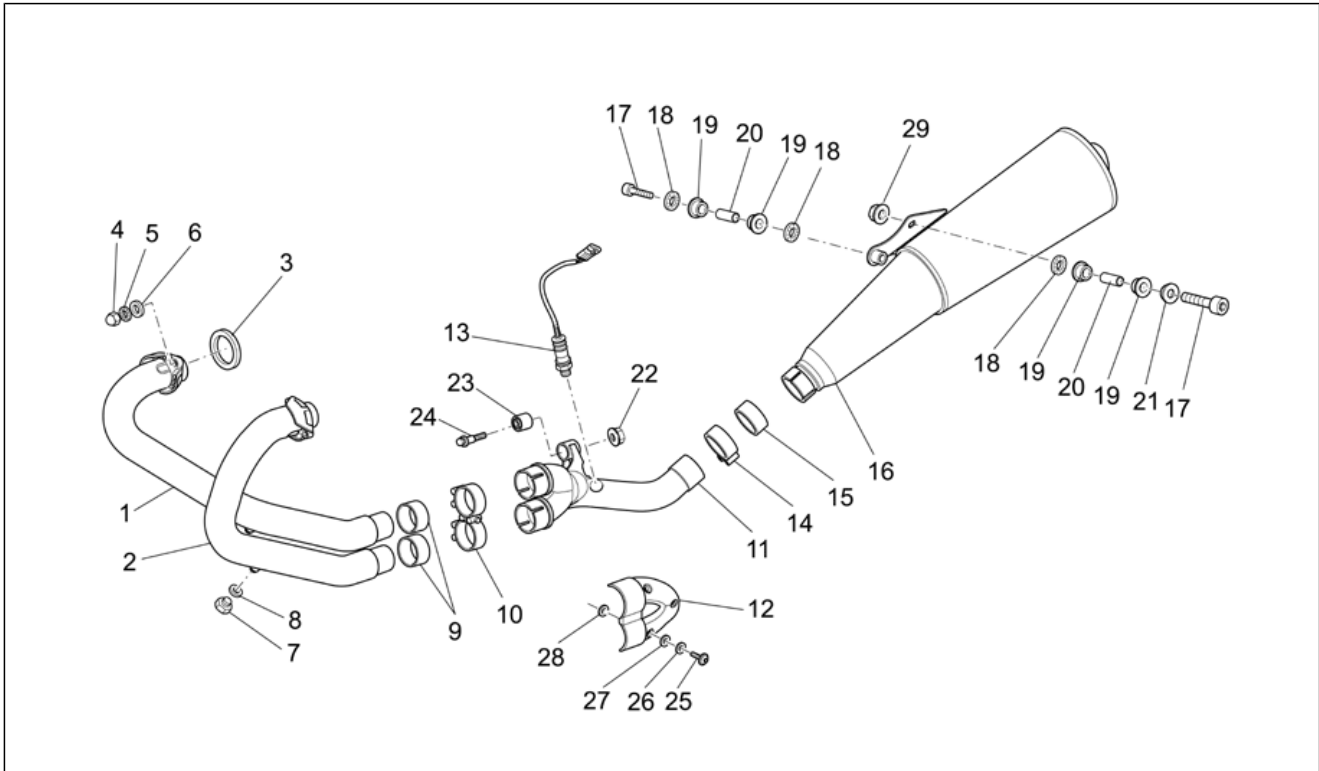
Pos.	Code	Description	Qty	Variants
1	887423	Fuel pump	1	Country: Other country Europe[EU]
1	887771	Fuel pump	1	Country: United States of America[USA]
2	AP8152273	Screw w/ flange M5x16	6	
3	977064	Fuel pipe, cpl.	1	
4	GU05135930	pipe	1	
5	AP8152298	Screw w/ flange M5x16	2	

Group	FRAME
Code	33.26
Description	Air box
Service	1



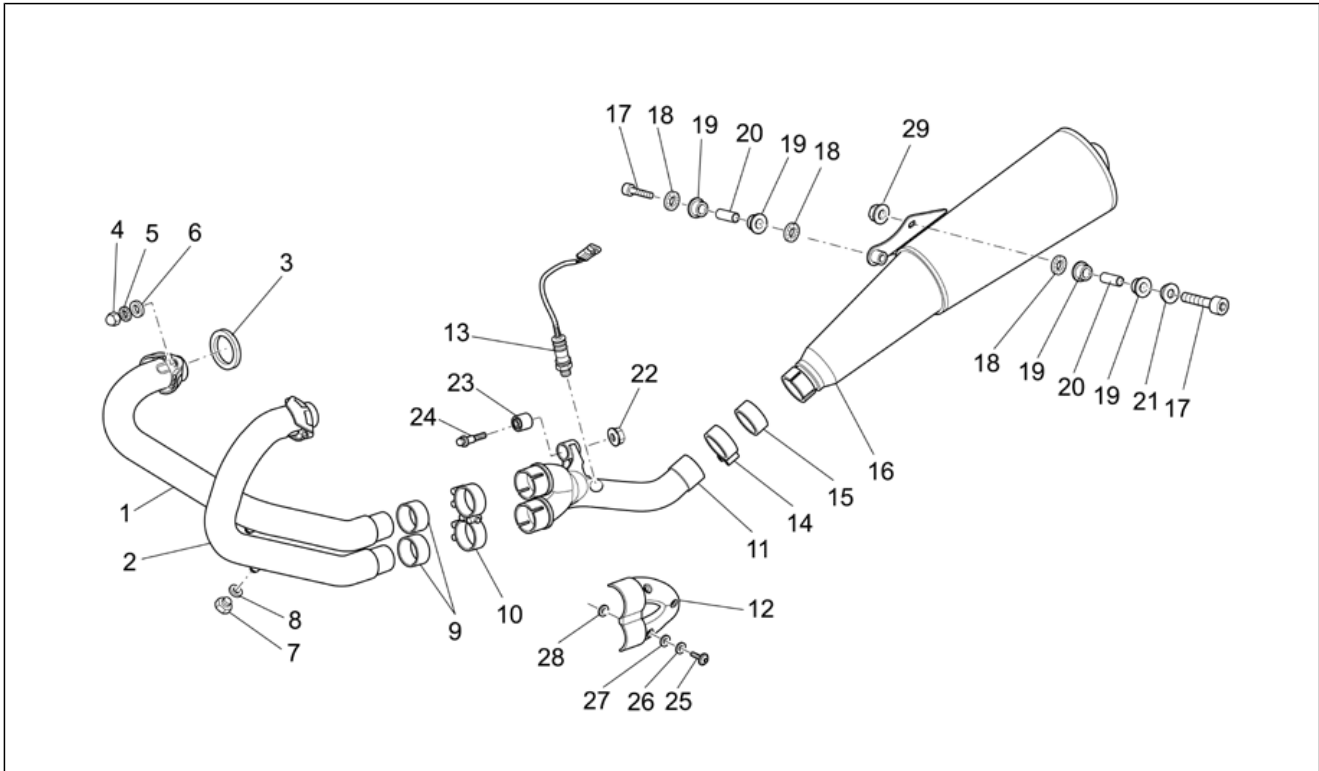
Pos.	Code	Description	Qty	Variants
1	GU06114000	Air box	1	
2	AP8104329	Air filter	1	
3	GU06113300	Inspection cover	1	
4	AP8120593	Gasket D4	1	
5	AP8152329	Phillips screw, SWP M5x20	10	
6	GU06114200	Protection	1	
7	GU06113700	Cover	1	
8	AP8144164	Intake hose	1	
9	AP8150421	Self-tap screw 2,9x12	2	
10	GU30729330	Air temp. Sensor	1	
11	GU30027931	Gasket	1	
12	AP8221270	Filter housing support spindle	2	
13	AP8220526	Rubber spacer	2	
14	GU03013800	Washer 6,4x12	2	
15	GU92787006	Cap nut M6x1	2	
16	AP8152279	Screw w/ flange M6x20	2	
17	AP8221023	T bush	2	
18	AP8144038	Fuel pipe 6x10	2	
19	AP8101595	Hose clamp D10,1	4	
20	AP8120876	Plug	2	
21	AP8120030	Rubber spacer	2	

Group	FRAME
Code	33.27
Description	Exhaust unit
Service	1



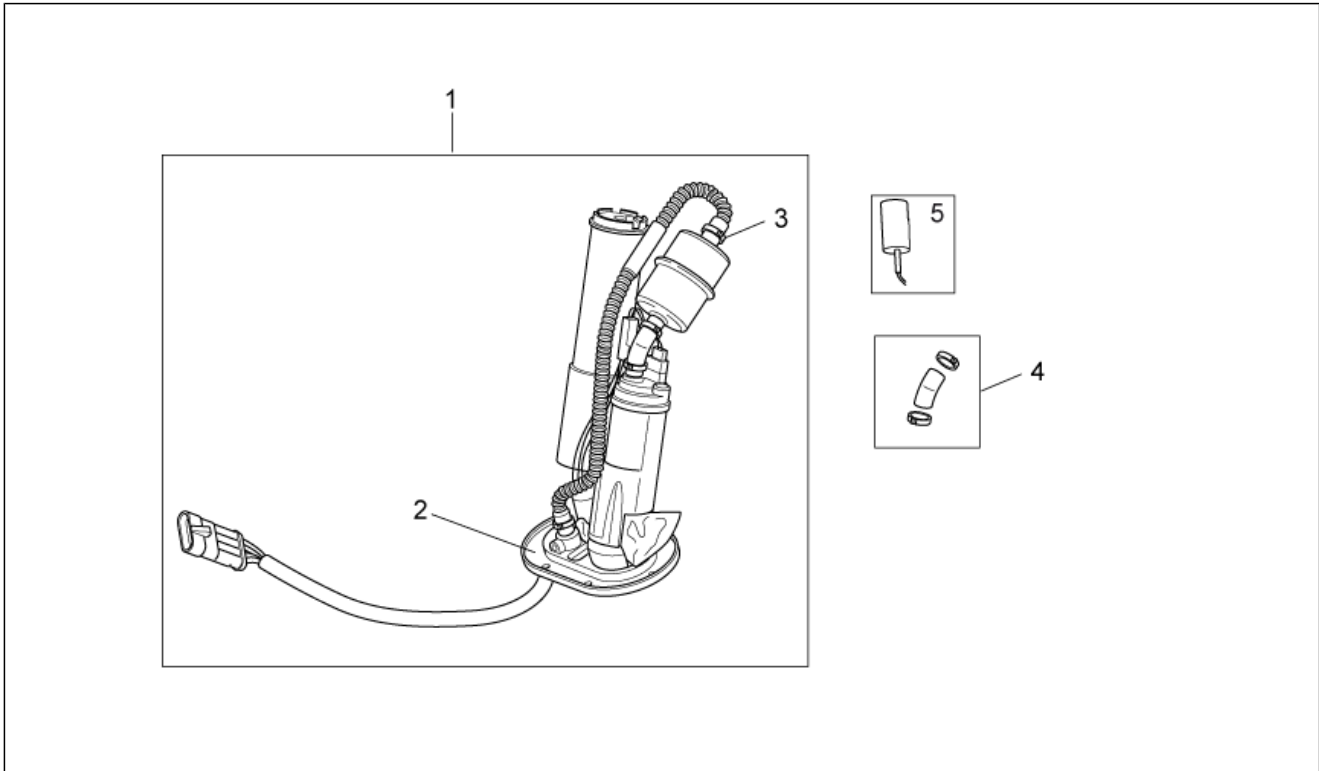
Pos.	Code	Description	Qty	Variants
1	GU06120900	RH exhaust pipe	1	
2	GU06120901	LH exhaust pipe	1	
3	GU90718370	Gasket	2	
4	GU92787008	Cap nut M8x1,25	4	
5	GU14615901	Washer 8,4X13X0,8	4	
6	GU95005308	Washer 8,4x14,57x1,6	4	
7	GU98110007	Cover	2	
8	GU30109330	Gasket	2	
9	GU06123500	Gasket	2	
10	GU06123401	Hose clamp	1	
11	GU06124800	Central exhaust pipe	1	
12	GU06121900	Heat protection	1	
13	GU32727010	Lambda sensor	1	
14	GU06126900	Hose clamp	1	
15	GU05128230	Gasket	1	
16	GU061229001	Silencer	1	
17	GU98680445	Hex socket screw	2	
18	GU95005312	Washer 8,5x24x2	3	
19	AP8144071	Rubber exhaust	4	
20	AP8121773	Spacer *	2	
21	AP8134378	Silencer fixing bush	1	
22	AP8152301	Self-locking nut	1	
23	AP8220346	Silent-block	1	
24	AP8152410	Screw w/ flange M10x55	1	
25	GU98370609	Hex socket screw M6x10	3	
26	GU03013800	Washer 6,4x12	3	
27	GU95005320	Washer 6,5x20x1,5	3	
28	AP8121513	Washer 5,5X20X1	3	

Group	FRAME
Code	33.27
Description	Exhaust unit
Service	1



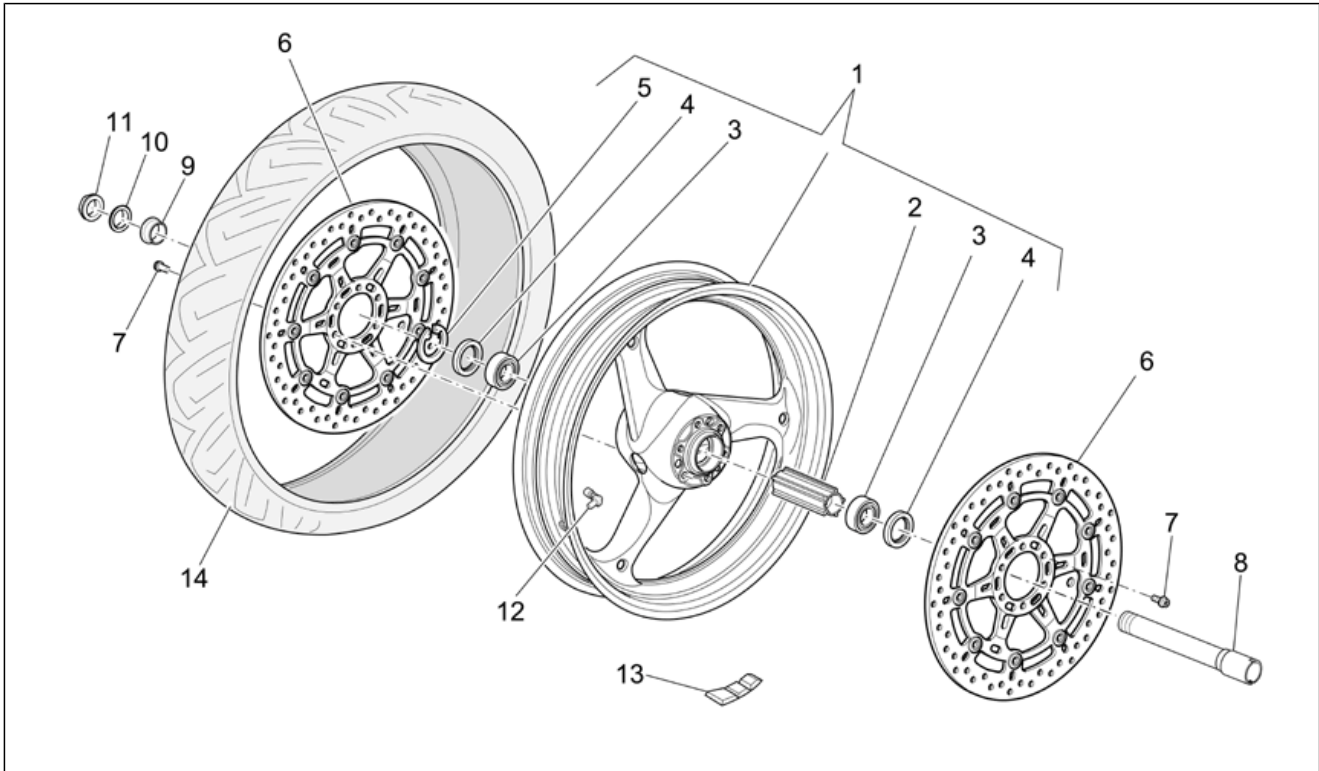
Pos.	Code	Description	Qty	Variants
29	GU92650138	Nut M8x1,25	1	

Group	FRAME
Code	33.28
Description	Internal fuel pump
Service	1



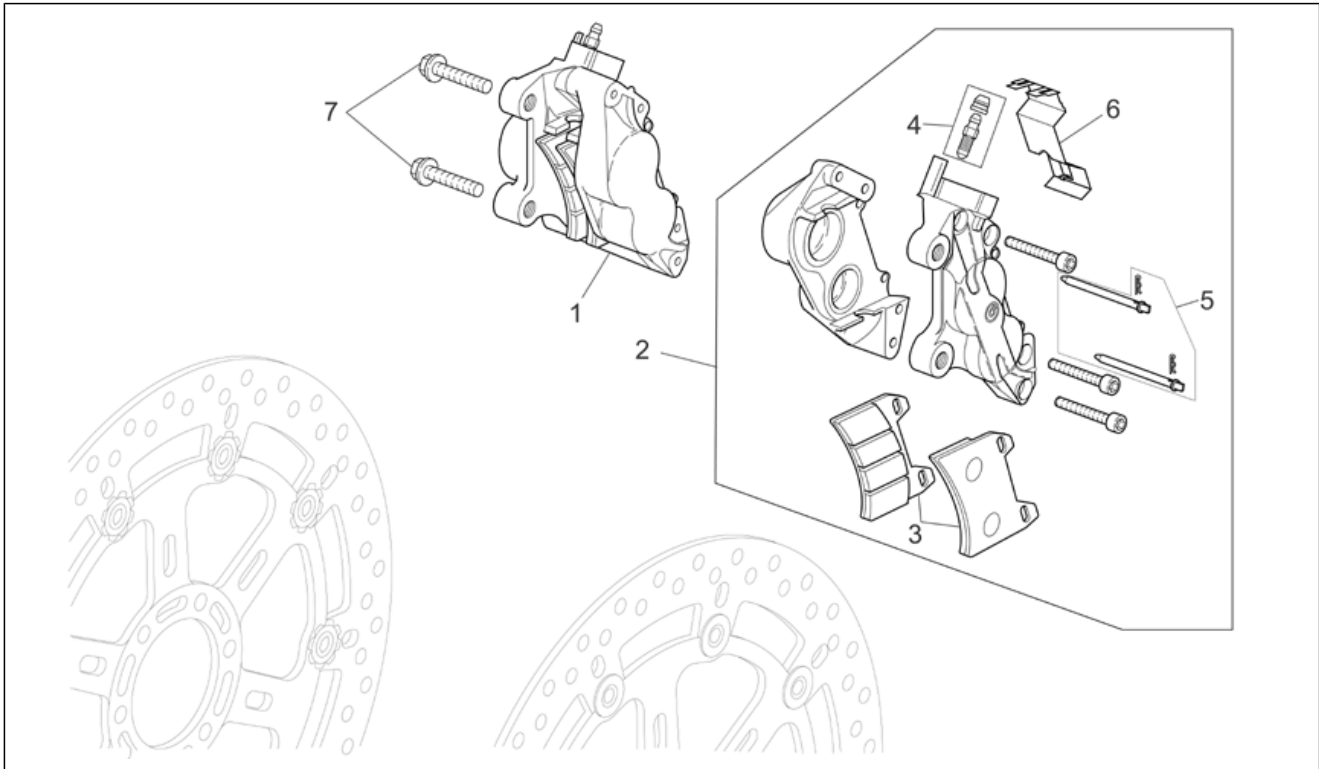
Pos.	Code	Description	Qty	Variants
1	887423	Fuel pump	0	Country:Other country Europe[EU]
1	887771	Fuel pump	1	Country:United States of America[USA]
2	GU05107430	Gasket	1	
3	GU01108490	Hose clamp 11,3	4	
4	978219	Fule pipe set cpl.	1	
5	883851	Thermistor	1	

Group	FRAME
Code	33.29
Description	Front wheel
Service	1



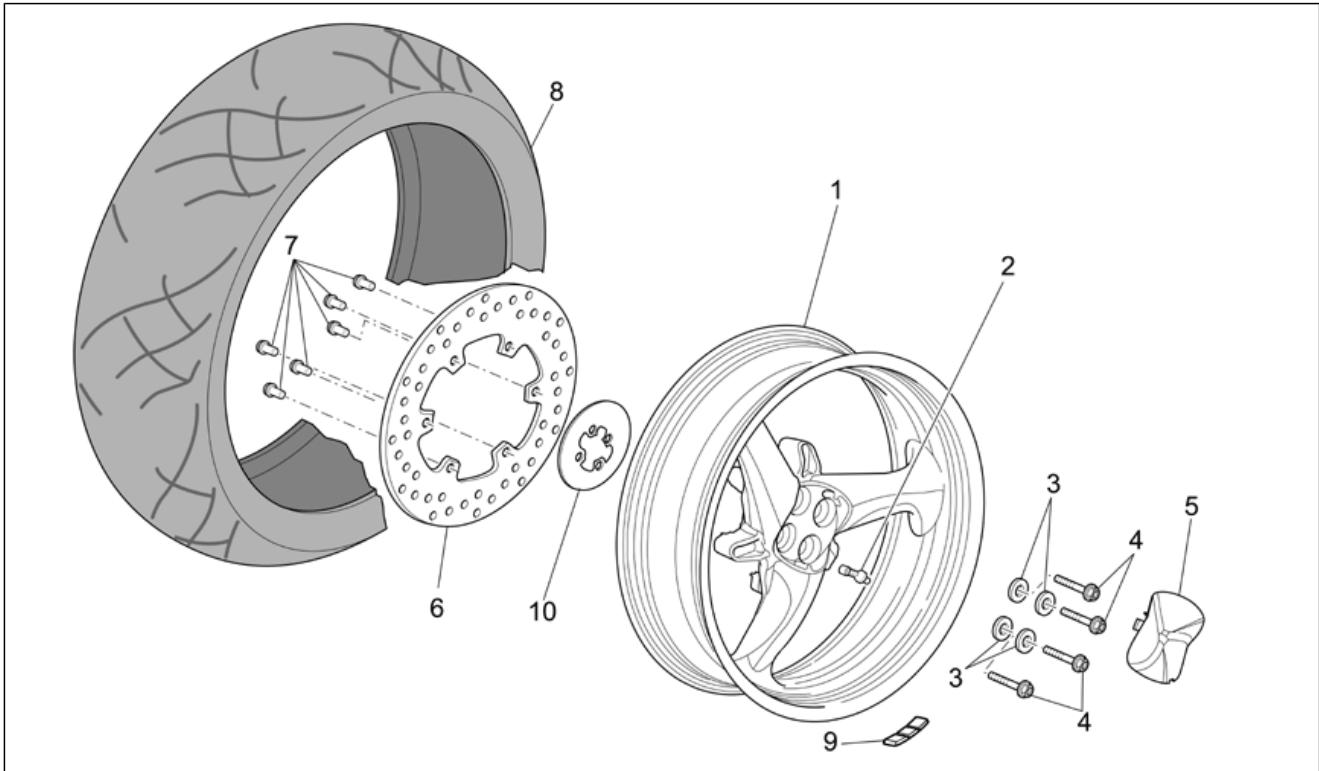
Pos.	Code	Description	Qty	Variants
1	977352	Front wheel, grey 3,5x17"	1	Technical Specifications: Marchio Brembo[BR]
2	GU05615230	Spacer	1	
3	AP8125777	Ball bearing 25x47x12	2	
4	AP8125773	Gasket ring 30x47x7	2	
5	GU90272047	Circlip 47X50,5	1	
6	AP8133781	Front brake disc	2	
7	AP8152286	Screw w/ flange M8x20	12	
8	GU05614130	Front wheel spindle	1	
9	GU06616300	Spacer	1	
10	GU95005325	Washer 25,2X36X1	1	
11	GU01612190	Nut	1	
12	GU03617710	Tubeless tyre valve	1	
13	GU14616150	Counterweight	1	
14	0000000	Tyre	1	

Group	FRAME
Code	33.30
Description	Front brake caliper
Service	1



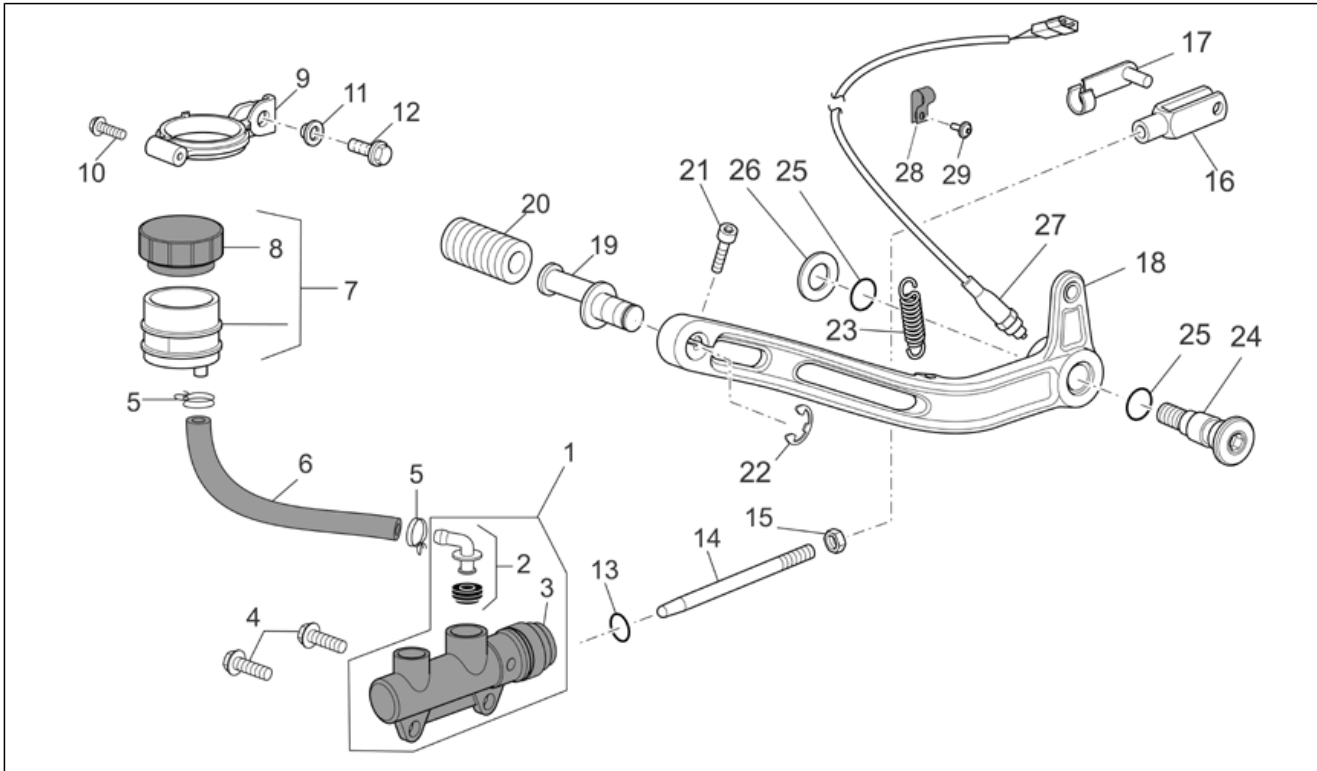
Pos.	Code	Description	Qty	Variants
1	GU05652330	RH Front brake caliper, gold	1	
2	GU05652230	LH Front brake caliper, gold	1	
3	GU01654630	Pads pair	2	
4	GU05659230	Bleeder+cap	2	
5	GU01659130	Pins+Caliper springs	2	
6	GU01659131	Spring	2	
7	AP8152336	Screw w/ flange M10x1,25	4	

Group	FRAME
Code	33.31
Description	Rear wheel
Service	1



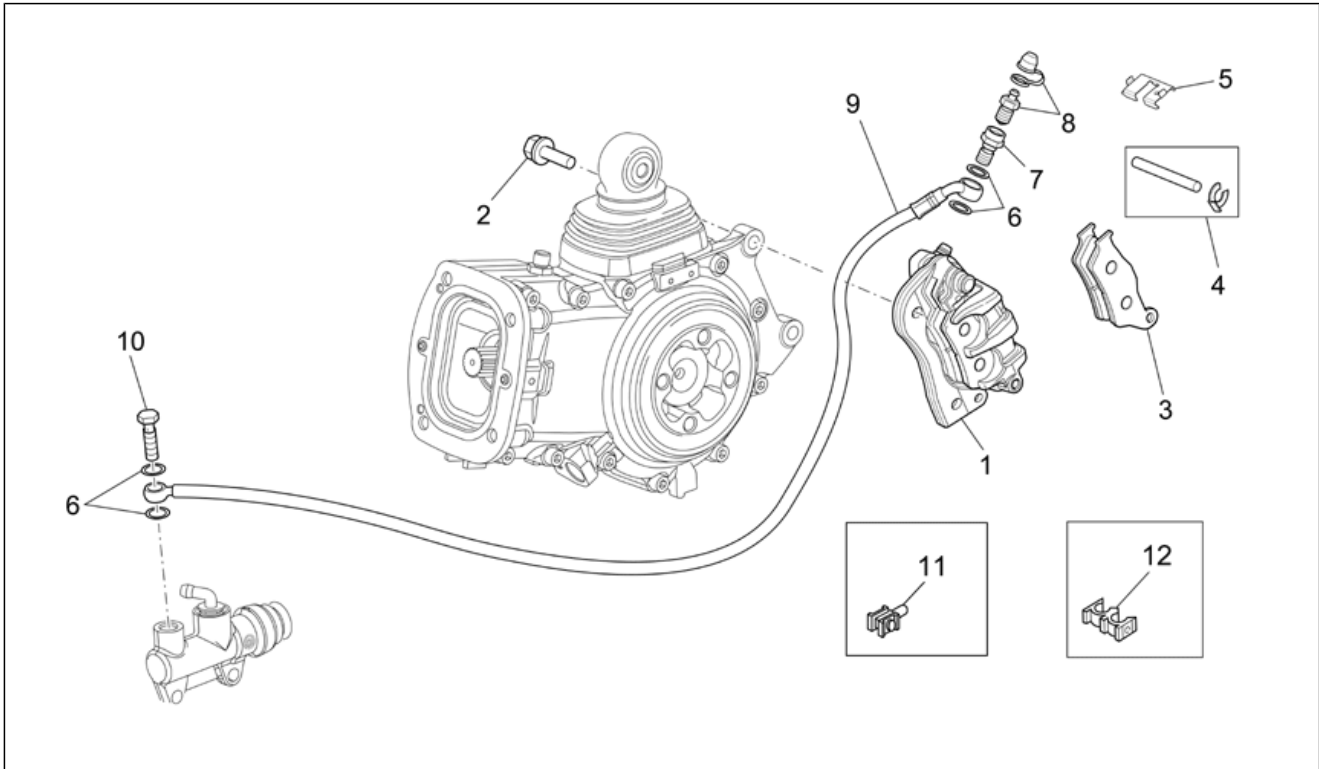
Pos.	Code	Description	Qty	Variants
1	977268	Rear wheel, grey 5,5x17"	1	Technical Specifications: Marchio Brembo[BR]
2	GU03617710	Tubeless tyre valve	1	
3	GU05632730	Conical bush	4	
4	GU97202665	Screw w/ flange M12x65	4	
5	977340	Cover	1	
6	GU05635730	Rear brake disc	1	
7	GU30611460	screw	6	
8	0000000	Tyre	1	
9	GU14616150	Counterweight	1	
10	977056	Dust cover ring	1	

Group	FRAME
Code	33.32
Description	Rear master cylinder
Service	1



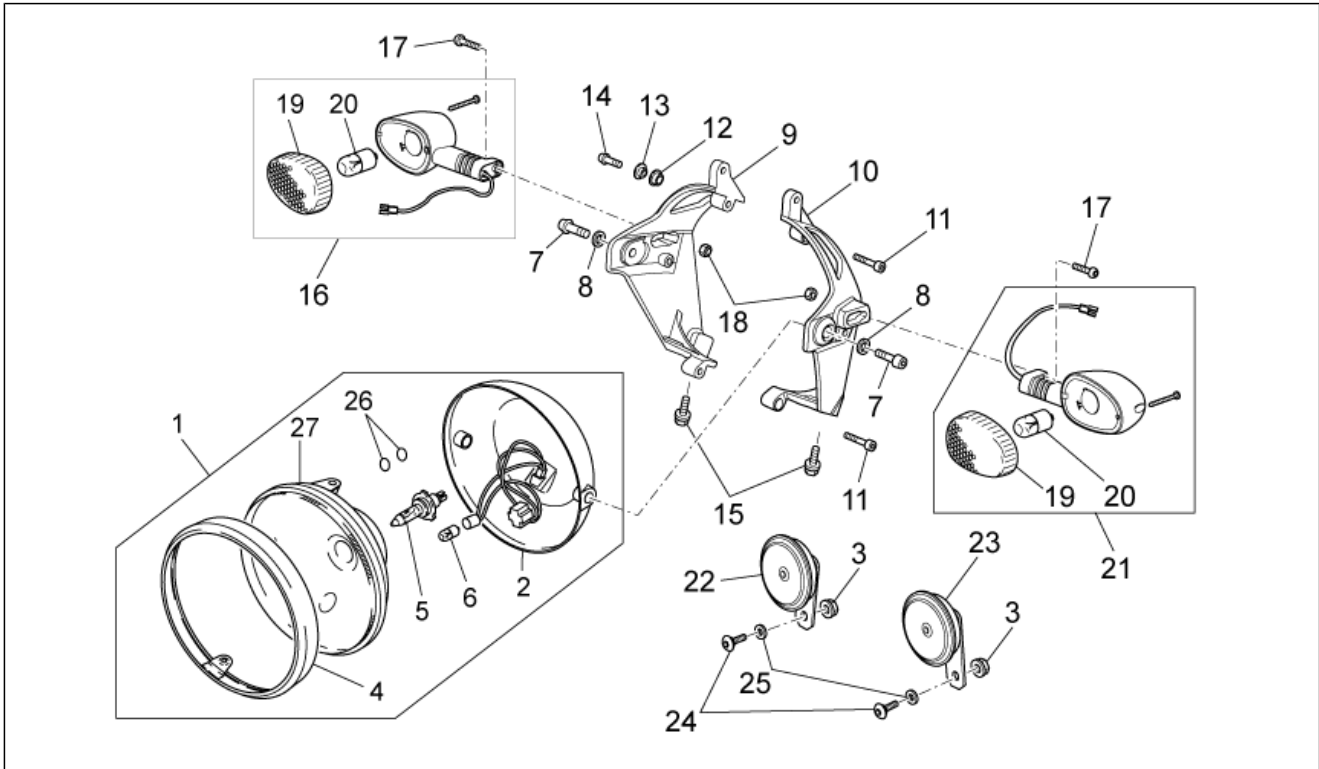
Pos.	Code	Description	Qty	Variants
1	GU0566930	Rear master cylinder	1	
2	AP8113594	Rear brake pump union	1	
3	AP8113288	Rubber bellows	1	
4	AP8152279	Screw w/ flange M6x20	2	
5	AP8101595	Hose clamp D10,1	2	
6	GU00823950050	Oil pipe	1	
7	GU05663530	Brake oil tank complete	1	
8	GU17661052	Tank cap	1	
9	GU05666030	Tank support	1	
10	AP8152329	Phillips screw, SWP M5x20	1	
11	AP8221145	T bush *	1	
12	AP8152278	Screw w/ flange M6x16	1	
13	AP8120178	O-ring OR112	1	
14	977041	Master cylinder rod	1	
15	GU92606206	Nut	1	
16	AP8113081	Fork	1	
17	AP8113082	Gear selector fork clips	1	
18	GU06677000	Rear brake lever	1	
19	AP8121221	Brake lever pin	1	
20	AP8120912	Lever rubber	1	
21	GU98682316	Hex socket screw M6x16	1	
22	AP8150462	Circlip d9	1	
23	AP8121927	Rear brake lever spring	1	
24	884033	Rear brake lever pin	1	
25	AP8144007	O-ring 11,11x1,78	2	
26	GU95008310	Washer 10,5x22x2,5	1	
27	AP8112996	clutch switch	1	
28	AP8101890	Black hose D8	3	

Group	FRAME
Code	33.33
Description	Rear brake caliper
Service	1



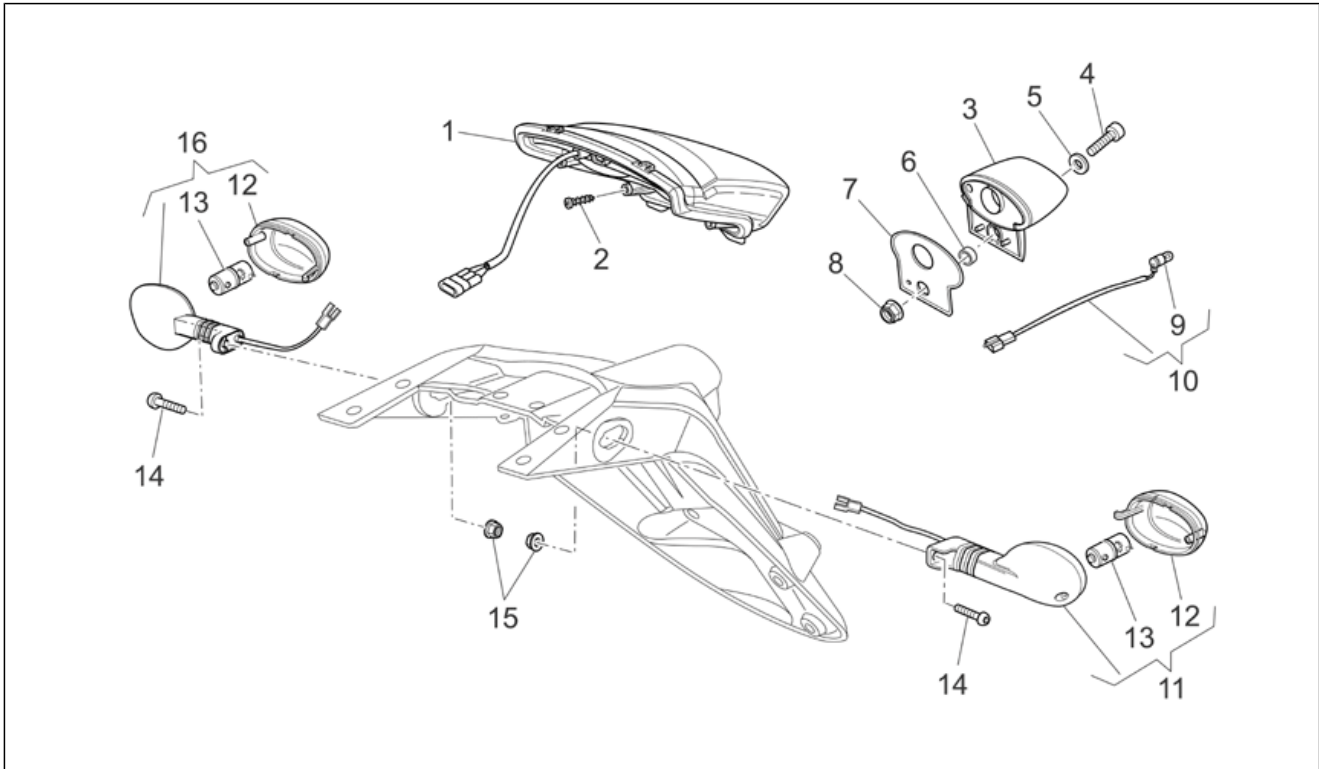
Pos.	Code	Description	Qty	Variants
1	GU05653030	Rear brake caliper, gold	1	
2	AP8152320	Screw w/ flange	2	
3	GU05654630	Pads pair	1	
4	GU05659130	Pin+split pin	1	
5	GU05659030	Spring	1	
6	GU25656100	Gasket	4	
7	AP8133597	screw	1	
8	AP8213113	Bleeder+cap	1	
9	GU05657530	Rear brake hose	1	
10	GU95990028	Oil pipe screw *	1	
11	AP8202238	Cable-guide hook	4	
12	AP8201808	Cable-guide D8	5	

Group	FRAME
Code	33.34
Description	Headlight/Horn
Service	1



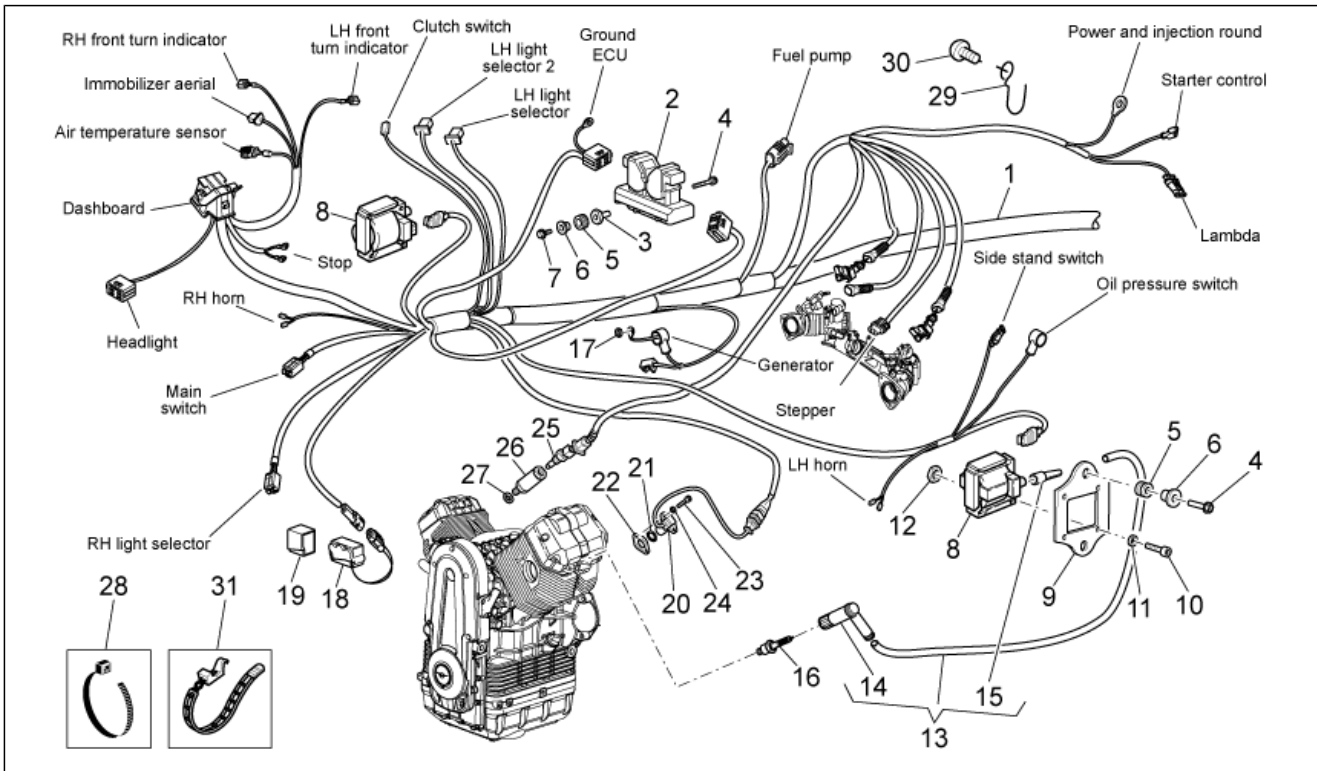
Pos.	Code	Description	Qty	Variants
1	GU06740500	Headlight	1	Country:Other country Europe[EU]
1	GU06740501	Cpl headlightsteering headligh	1	Country:Great Britain[UK]
2	GU06740200	Headlight cap, chr.	1	
3	GU92650138	Nut M8x1,25	2	
4	GU31740383	Chromed ring nut	1	
5	GU93450232	Lamp 12V-55/60W	1	
6	GU93450105	Lamp	1	
7	GU98700430	Screw M8x30	2	
8	GU14615901	Washer 8,4X13X0,8	2	
9	GU06496100	RH support	1	
10	GU06496200	LH support	1	
11	GU98612325	screw M6x25	2	
12	AP8221023	T bush	1	
13	AP8120675	Rubber spacer *	1	
14	GU98230619	Hex socket screw	1	
15	AP8152287	Screw w/ flange M8x25	2	
16	GU06750600	RH front/LH rear turn indic.	1	
17	GU98690335	Hex socket screw	2	
18	GU92787006	Cap nut M6x1	2	
19	GU06753700	Turn indicator lens	2	
20	GU93450127	Lamp	2	
21	GU06751601	LH front/RH rear turn indic.	1	
22	GU01743791	Electric hom L	1	
23	GU01743790	Electric hom H	1	
24	GU98350416	Hex socket screw M8x16	2	
25	GU95021108	Spring washer	2	
26	883417	O-ring	2	
27	GU06740400	Light assembly	1	

Group	FRAME
Code	33.35
Description	Taillight
Service	1



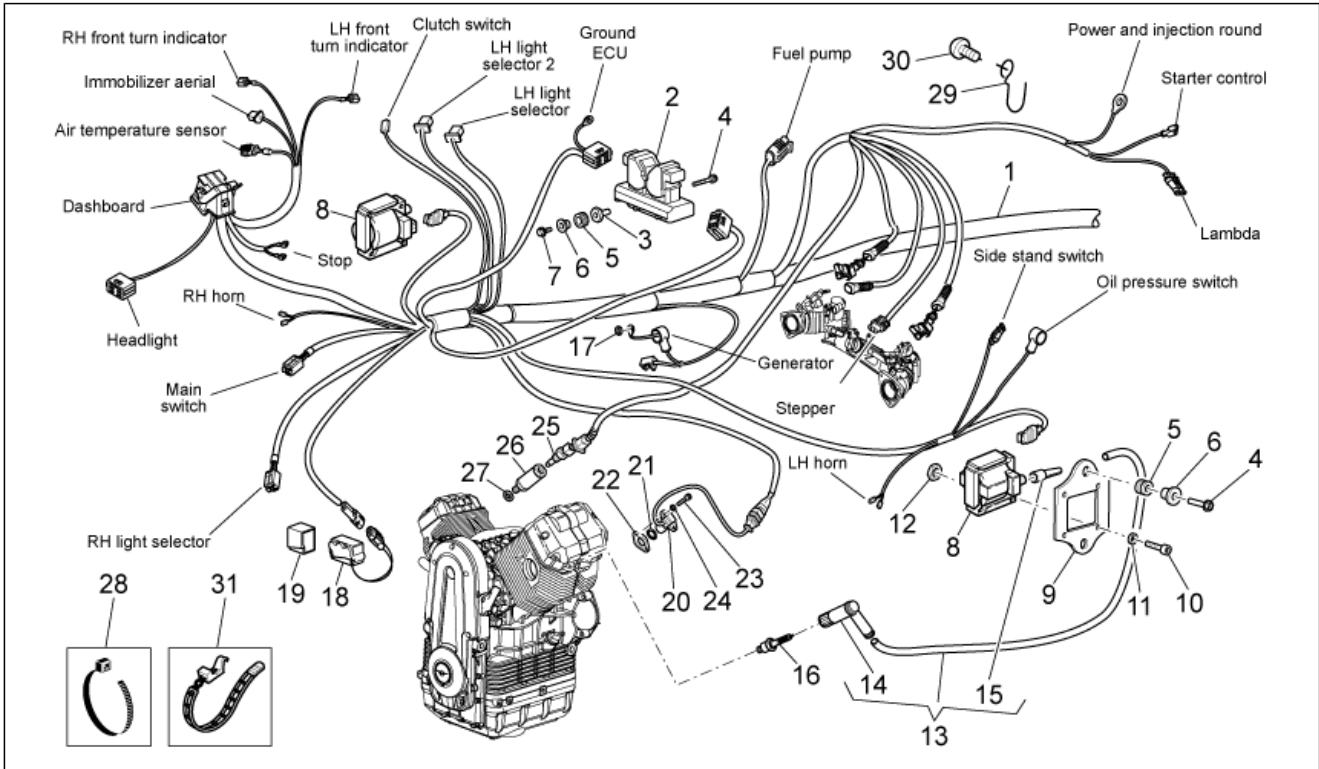
Pos.	Code	Description	Qty	Variants
1	GU06740900	Taillight	1	
2	AP8150509	Self-tap screw 5x14	4	
3	AP8127098	Number-plate light	1	
4	GU98680225	Hex socket screw M5x25	1	
5	GU95008205	Washer 5,3x10x0,8	1	
6	GU91120507	Bush	1	
7	GU32474710	Support rubber part	1	
8	AP8152306	Self-locking nut m5	1	
9	GU93450105	Lamp	1	
10	977795	Plate light wiring	1	
11	GU06750600	RH front/LH rear turn indic.	1	
12	GU06753700	Turn indicator lens	2	
13	GU93450127	Lamp	2	
14	GU98370619	Hex socket screw	2	
15	AP8152299	Self-locking nut M6	2	
16	GU06751601	LH front/RH rear turn indic.	1	

Group	FRAME
Code	33.36
Description	Electrical system I
Service	1



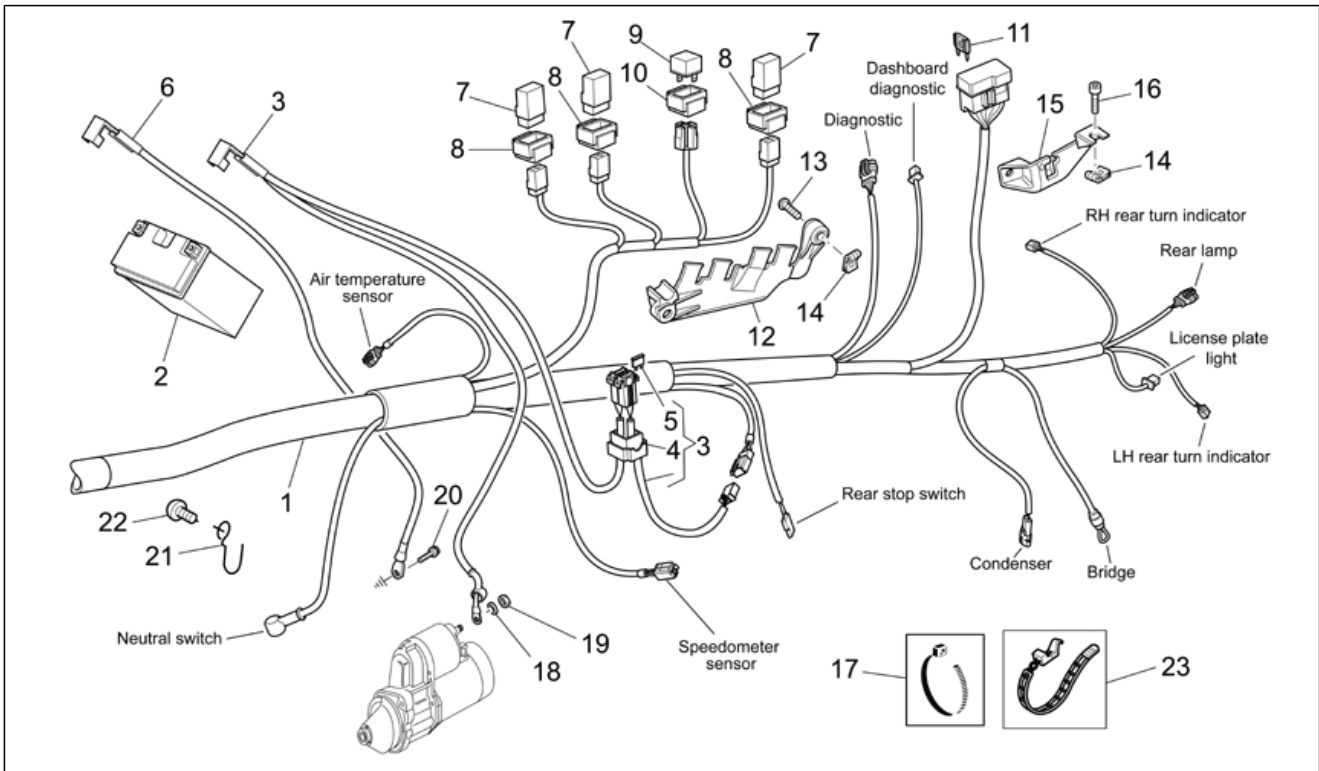
Pos.	Code	Description	Qty	Variants
1	978150	Main wiring harness	1	Technical Specifications: With linear switch,[V2]
1	GU06747100	Main wiring harness	1	Technical Specifications: With rotary switch,[V1]
2	977298	ECU	1	
3	GU05729230	Bush	2	
4	AP8152279	Screw w/ flange M6x20	6	
5	AP8120030	Rubber spacer	6	
6	AP8221023	T bush	6	
7	AP8152282	Screw w/ flange M6x35	2	
8	GU30716500	HT coil	2	
9	GU05716730	Coil holder	2	
10	GU98682125	Hex socket screw	8	
11	GU95008204	Washer 4,3x8x0,5	8	
12	GU92630104	Nut M4x0,7	8	
13	GU06718300	HT wire	2	
14	GU03717450	Sparkplug cap	2	
15	GU14717600	Cap	2	
16	GU30717061	Spark plug NGK BPR6ES	2	
17	AP8152299	Self-locking nut M6	1	
18	AP8124266	Inclination sensor	1	
19	AP8144046	Rubber sensor support	1	
20	GU01721600	Phase/revolution sensor	1	
21	GU90706141	O-ring	1	
22	GU01722700	Gasket 0,3mm	1	
22	GU01722701	Gasket 0,4 mm	1	
22	GU01722702	Gasket 0,6mm	1	
22	GU01722703	Gasket	1	
22	GU01722704	Gasket 1mm	1	
22	GU01722705	Gasket 1,5mm	1	

Group	FRAME
Code	33.36
Description	Electrical system I
Service	1



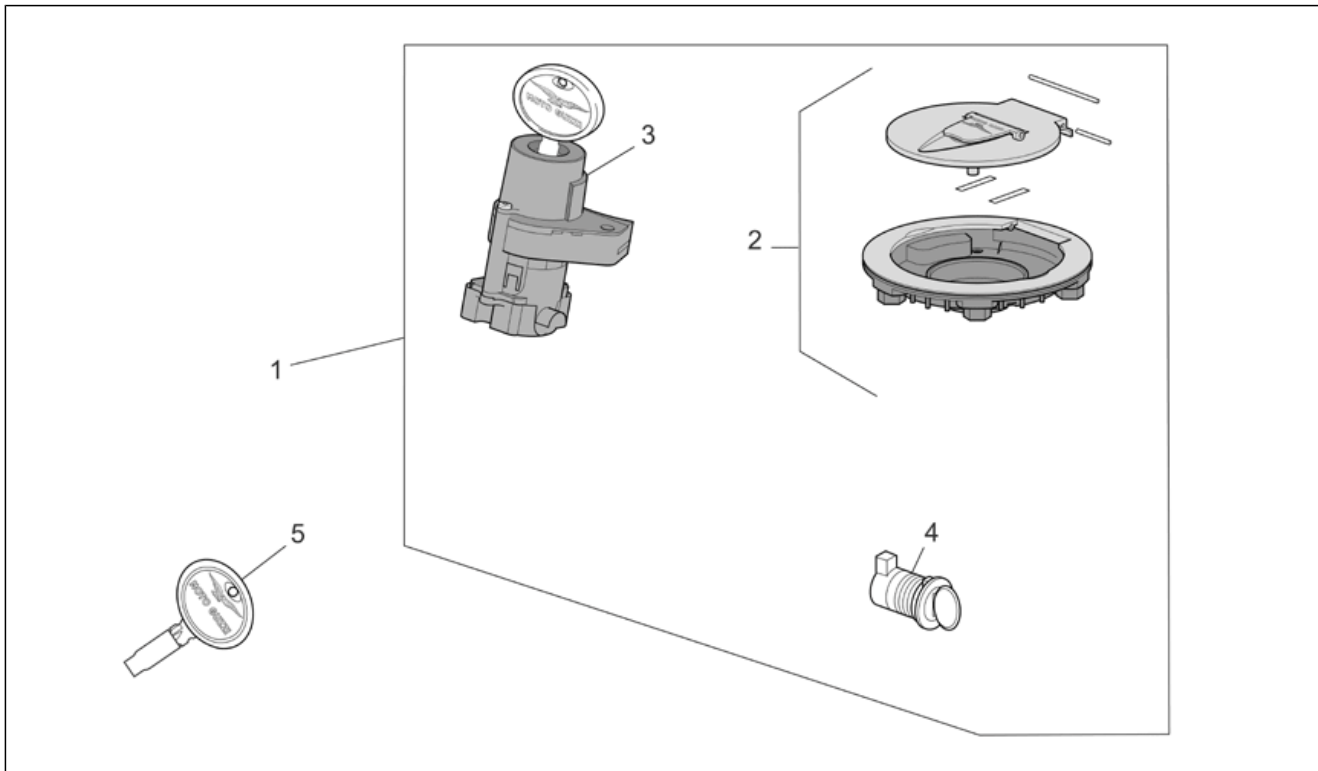
Pos.	Code	Description	Qty	Variants
22	GU29722760	Gasket 0,5 mm	1	
23	GU98682212	Hex socket screw M5x12	2	
24	GU95008205	Washer 5,3x10x0,8	2	
25	GU29729461	Oil temperature sensor	1	
26	GU03163330	Sensor support	1	
27	GU95008210	Washer 10,2X18X2	1	
28	GU14609650	Hose clamp 3,6x20,6	10	
28	GU49609601	Hose clamp 2,4x92	4	
28	GU93304390	Hose clamp 3,6x375	2	
29	AP8121475	Fairlead	1	
30	AP8152285	Screw w/ flange	1	
31	GU06609600	Hose clamp	3	

Group	FRAME
Code	33.37
Description	Electrical system II
Service	1



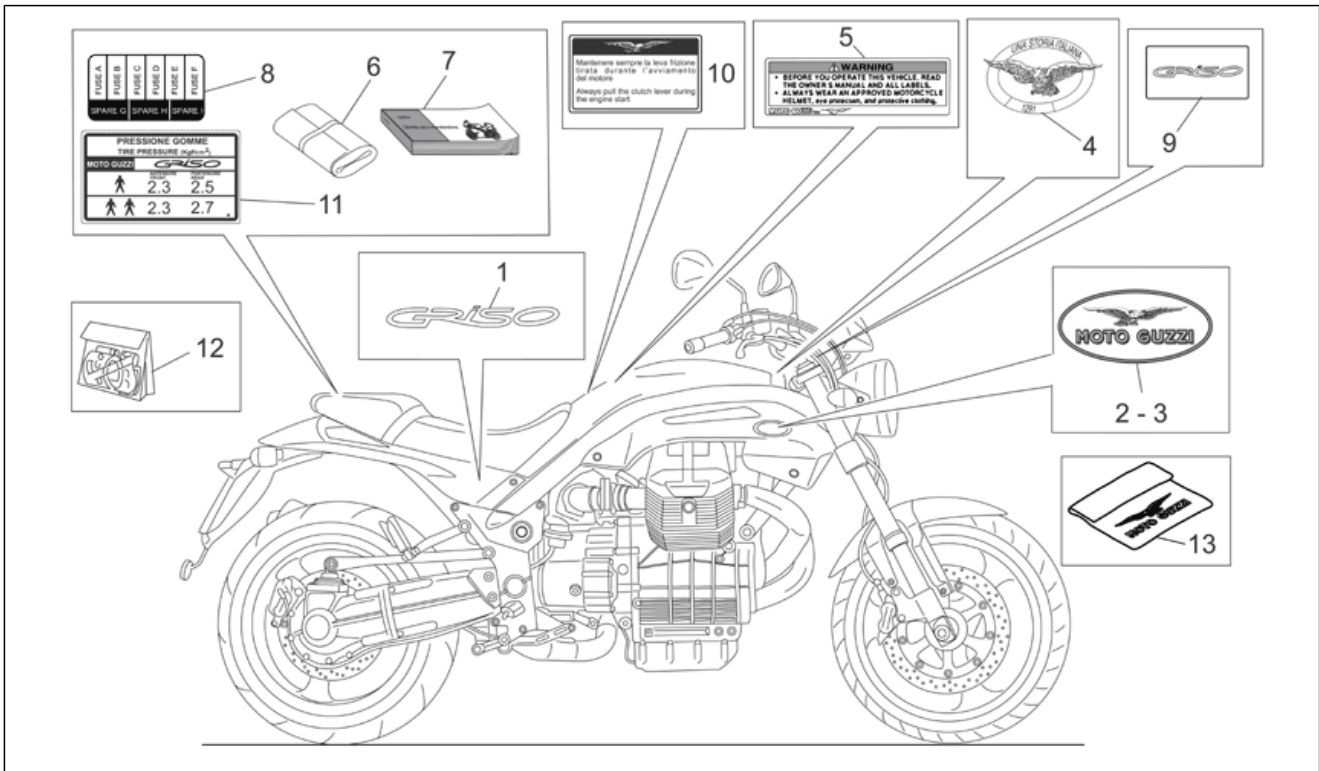
Pos.	Code	Description	Qty	Variants
1	978150	Main wiring harness	1	Technical Specifications: With linear switch,[V2]
1	GU06747100	Main wiring harness	1	Technical Specifications: With rotary switch,[V1]
2	GU05704531	Battery 12V-20Ah	1	
3	GU32748010	Wiring	1	
4	AP8112811	Rubber fuse box	1	
5	GU28742562	Fuse 30A	3	
6	GU06747900	Ground-battery lead	1	
7	AP8224462	Relay 12V/30A	3	
8	AP8220283	Rubber spacer *	3	
9	AP8124869	Injection relay	1	
10	AP8220546	Relay rubber	1	
11	977769	Fuse 3A	2	
11	977772	Fuse 15A	4	
11	977773	Fuse 20A	2	
12	GU06746300	Bracket	1	
13	AP8152339	Screw w/ flange M5x9	2	
14	AP8102375	Clip m5	4	
15	GU06477000	Bracket	1	
16	GU98682215	Hex socket screw	2	
17	GU14609650	Hose clamp 3,6x20,6	10	
17	GU49609601	Hose clamp 2,4x92	4	
18	GU95129131	Washer 8,4x15x1,7	1	
19	GU92609408	Nut M8x1,25	1	
20	AP8152277	Screw w/ flange M6x12	1	
21	AP8121475	Fairlead	1	
22	AP8152285	Screw w/ flange	1	
23	GU06609600	Hose clamp	3	

Group	FRAME
Code	33.38
Description	Lock hardware kit
Service	1



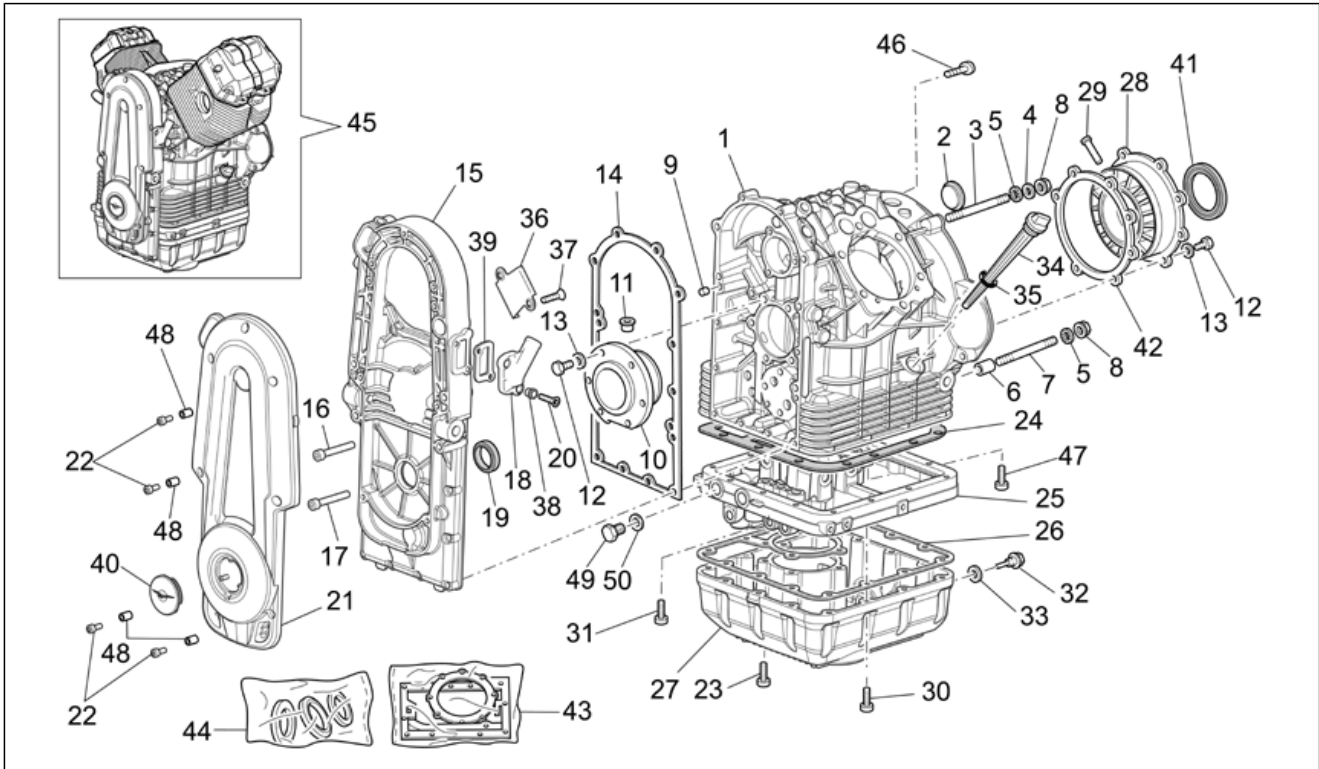
Pos.	Code	Description	Qty	Variants
1	GU06736800	Lock kit	1	
2	GU06103900	Tank cap	1	
3	GU06782500	Main switch - steering lock	1	
4	GU05466830	Saddle lock	1	
5	GU05735530	Non indented key blank	1	

Group	FRAME
Code	33.39
Description	Plate set-decal-op.handbooks
Service	1



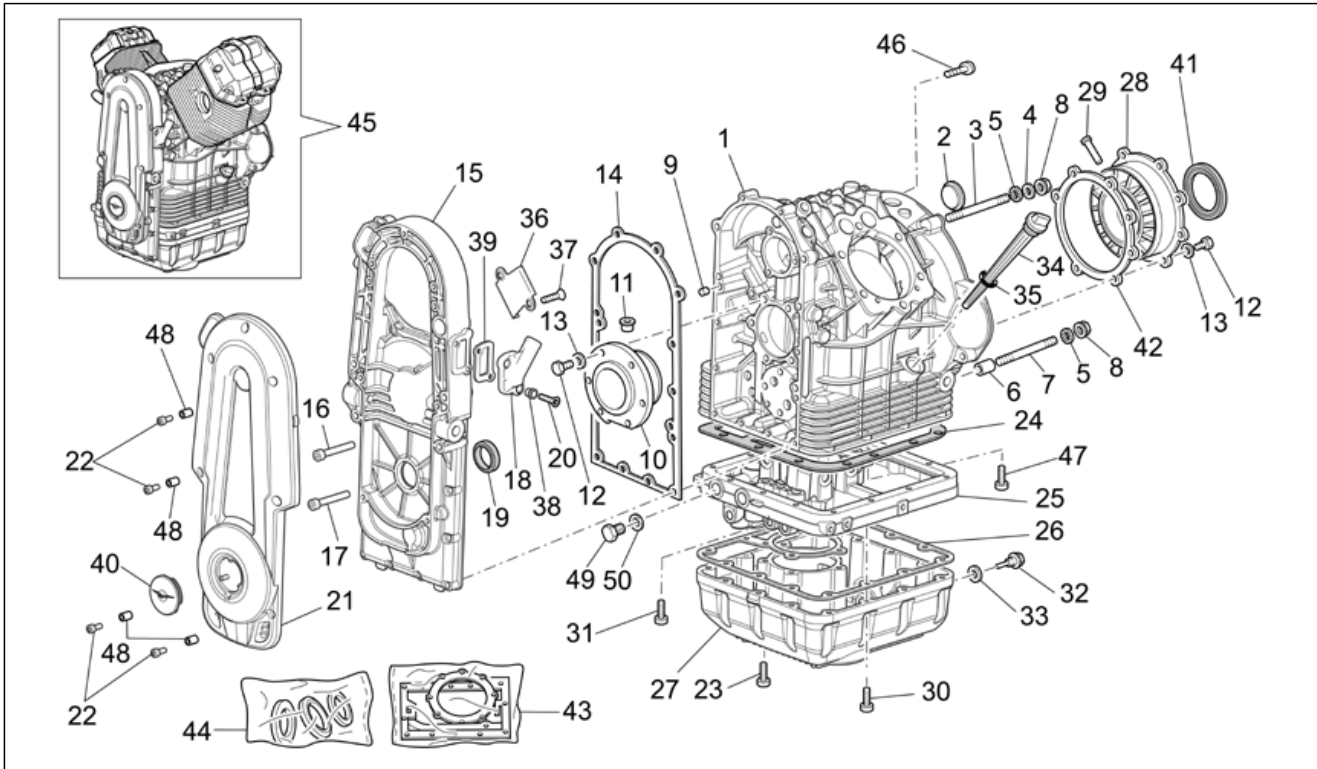
Pos.	Code	Description	Qty	Variants
1	GU06923400	Decal "Griso"	2	
2	GU06917400	LH Name plate,red/gold AL	1	
3	GU06917300	RH Name plate,red/gold AL	1	
4	GU05917530	Decal "Italian Story"	1	
5	GU30944300	Decal "Attention"	1	
6	GU06909900	Toolkit	1	
7	977474	Operator's handbook I-F-D-E-NL-UK	1	
8	GU05945030	Sticker "schema fusibili"	1	
9	GU06517700	Name plate "Griso"	1	
10	GU05944930	Decal Engine Start	1	
11	GU06926000	Tyre pressure decal	1	
12	GU06923300	Decal set	1	
13	GU30970200	Bike cover	1	

Group	ENGINE
Code	34.40
Description	Crank-case
Service	1



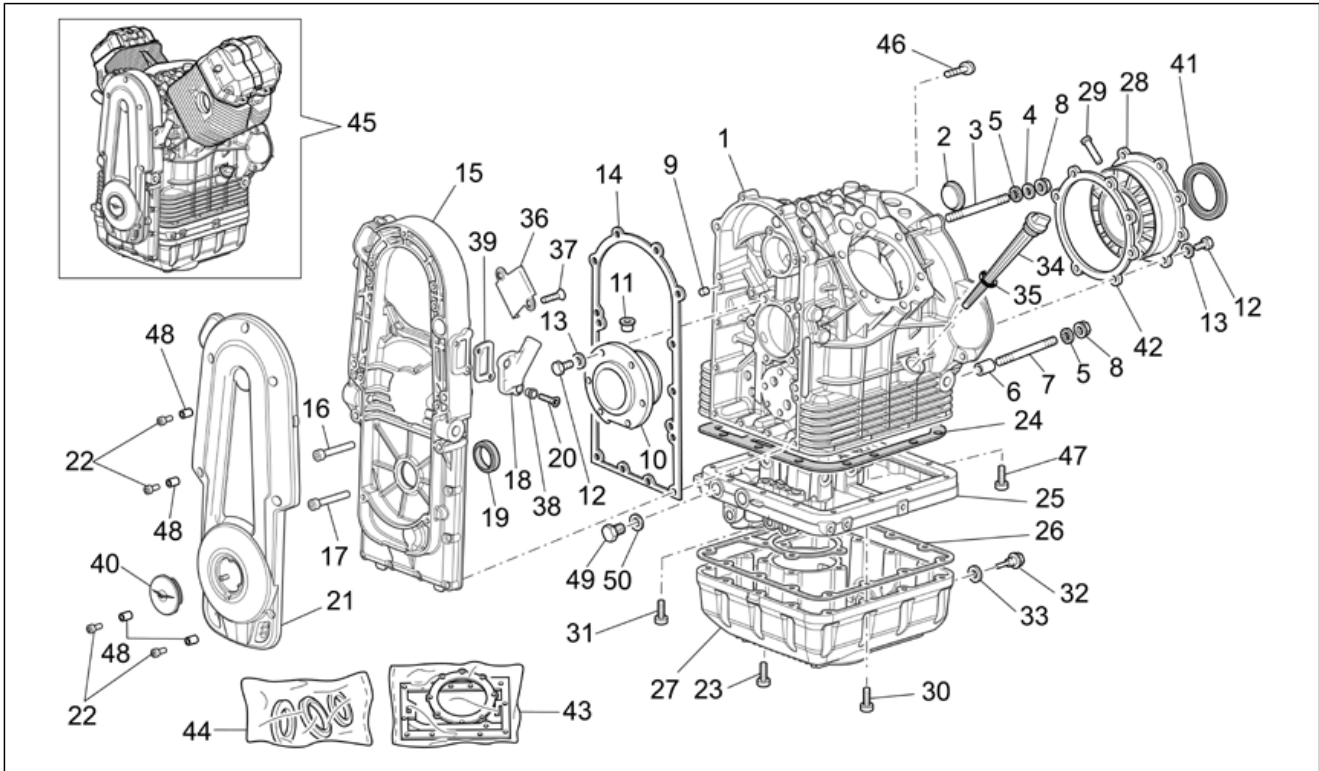
Pos.	Code	Description	Qty	Variants
1	976110	Crankcase, grey	1	Technical Specifications: From the engine A111934[M2]
1	976132	Crankcase, grey	1	Technical Specifications: Up to engine A111933[M1]
2	GU12003900	Disc	1	
3	GU96508066	Stud bolt M8X66	3	
4	GU95008208	Washer 8,4X15X1,5	2	
5	GU14615901	Washer 8,4X13X0,8	5	
6	GU12018900	Coupling bush	2	
7	GU96508075	Stud bolt M8x75	2	
8	GU92660021	Flanged nut M8	5	
9	GU95512081	Pin	2	
10	GU14011900	Complete flange	1	
10	GU14011901	Flange min.0,2 mm	1	
11	GU12012200	Pin	1	
12	GU98084425	Hex screw M8x25	14	
13	GU61270300	Spring washer 8x15x0,3	14	
14	GU05001231	Cover gasket	1	
15	976098	Cover grey	1	
16	AP8150046	Hex socket screw M8x55	4	
17	GU98682330	Hex socket screw M6x20	12	
18	GU05007230	Joint	1	
19	GU90412237	Gasket ring 22x35x7viton	1	
20	GU98682320	Hex socket screw M6x20	2	
21	GU05001630	Alternator cover grey	1	
22	GU98682316	Hex socket screw M6x16	4	
23	GU98680335	Hex socket screw M6x35	4	
24	GU01003651	Gasket	1	
25	976083	Flange grey	1	Technical Specifications: 2nd Serie[2A], From engine A1 12810[M4]

Group	ENGINE
Code	34.40
Description	Crank-case
Service	1



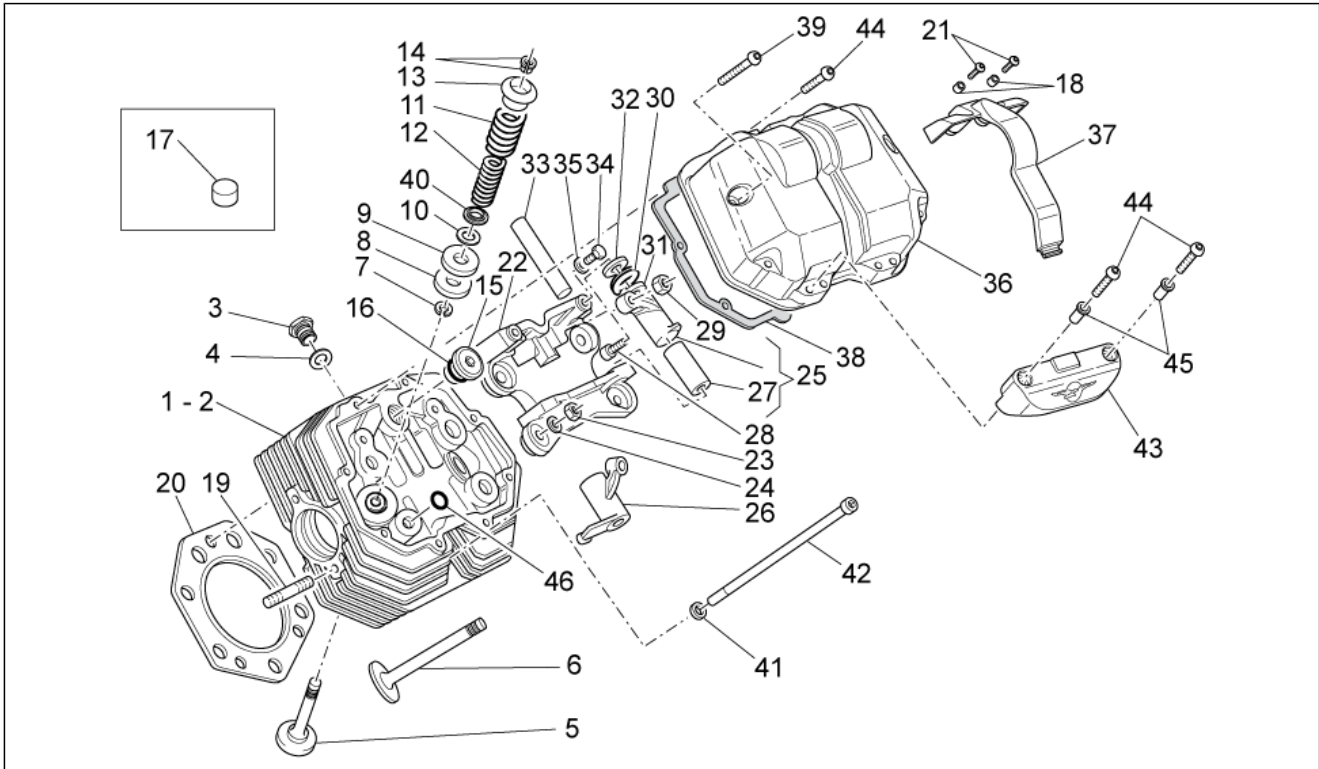
Pos.	Code	Description	Qty	Variants
25	976099	Flange grey	1	Technical Specifications: 1st Serie[1A], Up to engine A1 12809[M3]
26	GU05003630	Gasket	1	
27	976101	Oil sump grey	1	
28	GU12011400	Complete flange	1	
28	GU12011401	Flange min.0,2 mm	1	
28	GU12011402	Flange min.0,4 mm	1	
28	GU12011403	Flange min.0,6 mm	1	
29	GU12011700	Pin	1	
30	AP4ADN000007	Hex socket screw	14	
31	GU98680360	Hex socket screw M6x60	2	
32	GU31003766	Oil unload plug M10x1	1	
33	GU01154230	Gasket	1	
34	GU05004930	Oil level plug	1	
35	GU90706178	O-ring 17,86X2,62	1	
36	GU05007330	Plate	1	
37	GU98257408	screw TSPEI M4x8	2	
38	GU91120607	Bushing 6,4x8,4x10,5	2	
39	GU90706347	O-ring 34,65x1,78viton	1	
40	GU05002130	Cover	1	
41	GU90405367	Gasket ring	1	
42	GU05011830	Gasket	1	
43	GU05999030	Engine gasket set	1	
44	GU05999530	Engine oil seal kit/Gear box	1	
45	976910	Engine cpl.	1	
46	AP8152291	Screw w/ flange	1	
47	GU98680340	Hex socket screw M6x40	2	
48	GU91120606	Bushing 6,8x8,8x5,8	6	

Group	ENGINE
Code	34.40
Description	Crank-case
Service	1



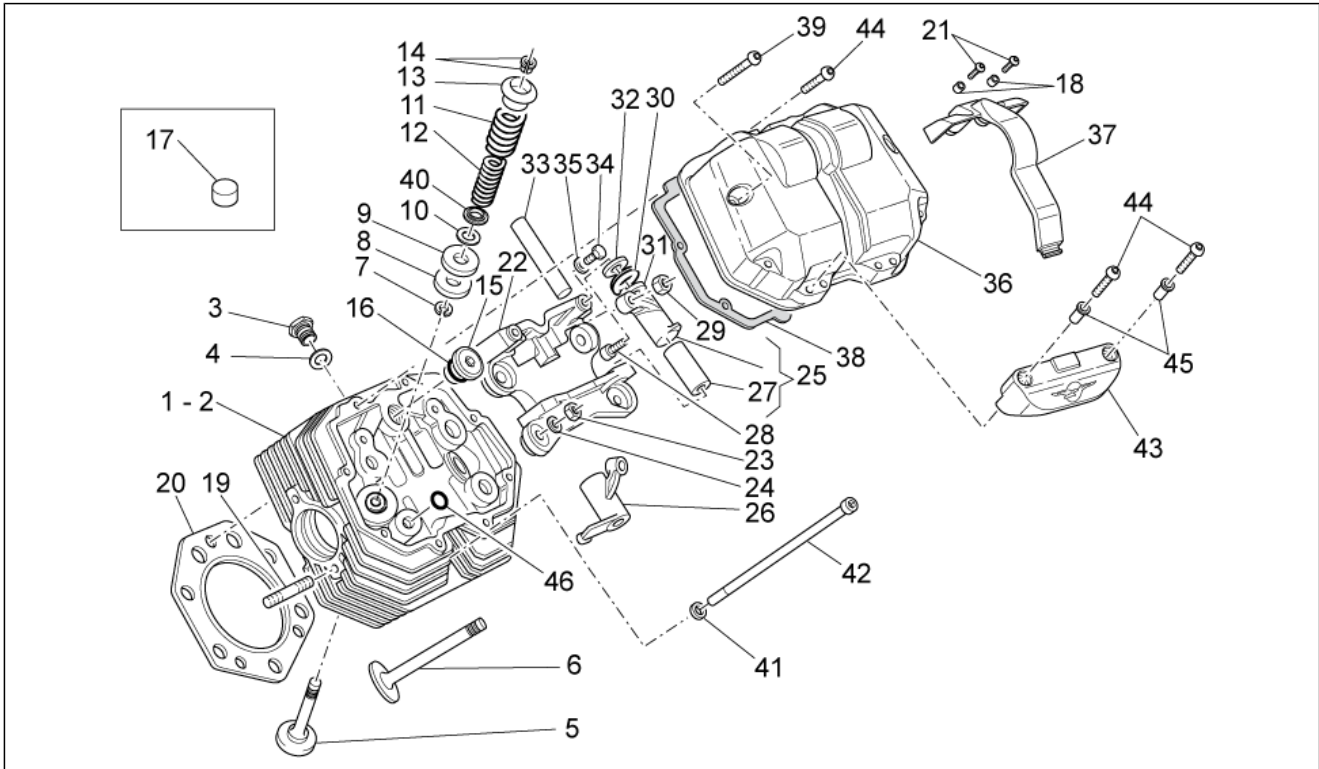
Pos.	Code	Description	Qty	Variants
49	GU95980216	Cover	2	
50	GU01154230	Gasket	2	

Group	ENGINE
Code	34.41
Description	Cylinder head and valves I
Service	1



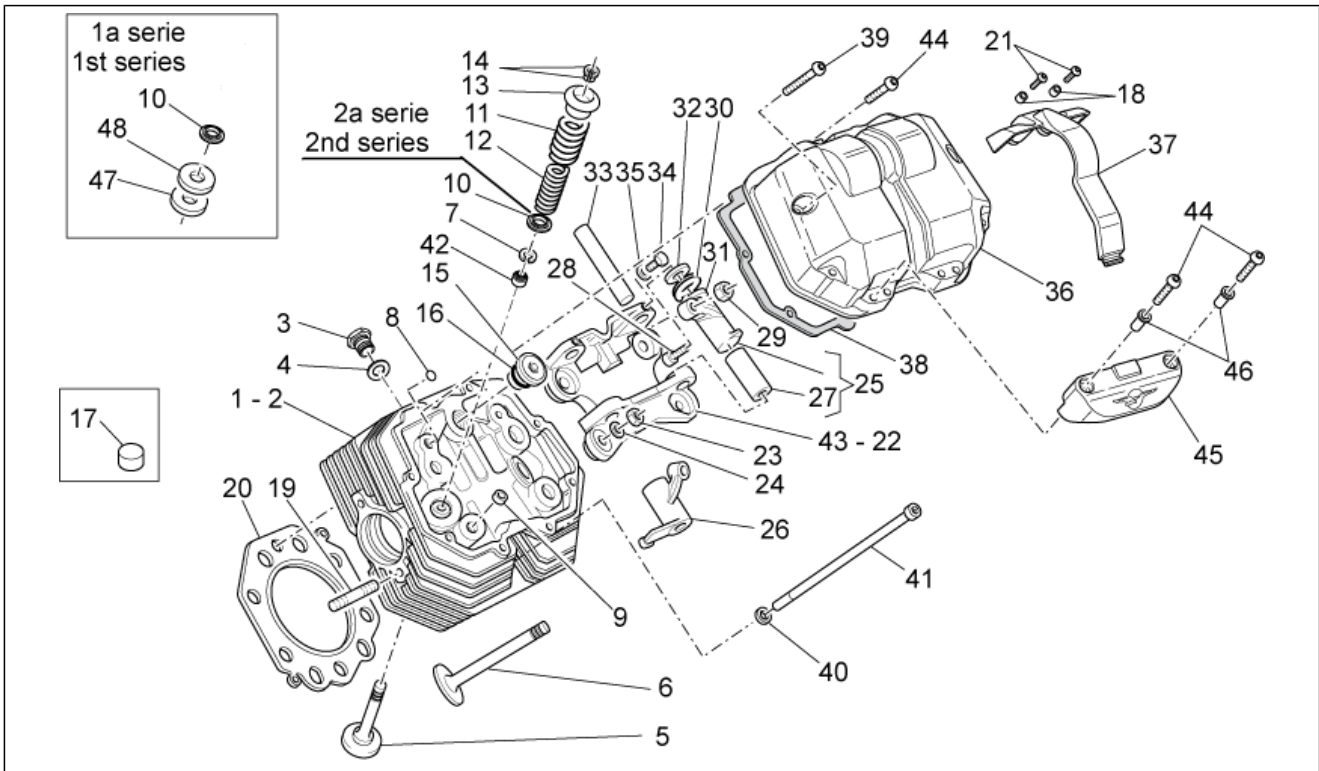
Pos.	Code	Description	Qty	Variants
1	GU05022131	RH head assy w/h valve	1	Technical Specifications: Up to engine A111933[M1]
2	GU05022231	LH head assy with valve	1	Technical Specifications: Up to engine A111933[M1]
3	976068	Cover	2	
4	969973	Washer	2	
5	GU05036131	Exhaust valve	2	
6	GU05036030	Intake valve	2	
7	GU90353016	Snap ring	4	
8	GU13037200	Washer 14,2x31x1	4	
9	GU14037300	Washer 14,2x31x0,3	10	
10	GU01038730	Washer plate	4	
11	GU37037405	Outer spring	4	
12	GU37037605	Inner spring	4	
13	GU01038060	Upper cup	4	
14	GU01038160	Valve half-cone	8	
15	GU12022600	Oil plug	2	
16	GU90706203	O-ring 20,24X2,62	2	
17	GU05025331	Rubber spacer	18	
18	GU91110506	Bushing 5,2x7x6	4	
19	GU96508040	Stud bolt	4	
20	GU03022055	Gasket	2	Technical Specifications: Up to engine A111933[M1]
21	AP8152268	Hex socket screw M5x16	4	
22	GU14034865	Rocker arm support	2	Technical Specifications: Up to engine A111933[M1]
23	GU92603010	Nut M10X1,5	8	
24	GU14018400	Washer 10,5X21X1	8	
25	GU14030201	RH rocker arm assy	2	
26	GU14030401	LH rocker arm assy	2	
27	GU91111511	Bushing 15x18x43	4	
28	GU17034050	Adjuster screw	4	

Group	ENGINE
Code	34.41
Description	Cylinder head and valves I
Service	1



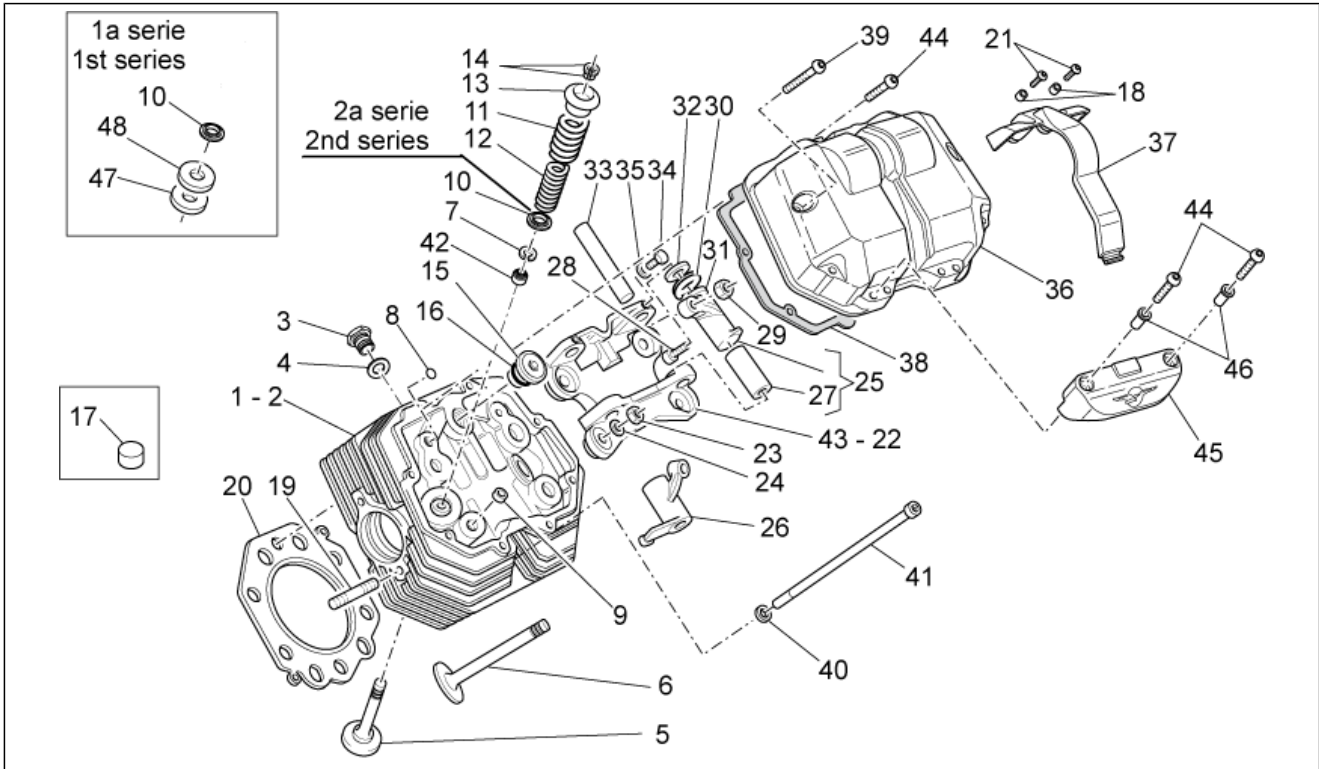
Pos.	Code	Description	Qty	Variants
29	GU10034100	Nut	4	
30	GU94322215	Spring	4	
31	GU90118152	Washer 15,2x26x1	8	
32	GU10032700	Washer 15,2x26x0,5	4	
33	GU12031800	Rocker shaft	4	
34	GU98084316	Hex screw	4	
35	GU95120065	Washer 6,5x11x2	4	
36	GU06023500	Head cover	2	
37	GU06941000	Insert	2	
38	976139	Cover gasket	2	
39	GU05025932	screw M6x50	8	
40	GU01037030	Lower cup 14,2x32x5	4	
41	GU95129180	Washer 10,5X18X0,8	4	
42	976144	screw	4	
43	GU06023400	Spark plug cover	2	
44	GU05025931	screw M6x35	12	
45	GU91120617	Bushing 6,2x8,4x17,2	4	
46	GU90706094	O-ring 9x2	8	Technical Specifications:Up to engine A111933[M1]

Group	ENGINE
Code	34.42
Description	Cylinder head and valves II
Service	1



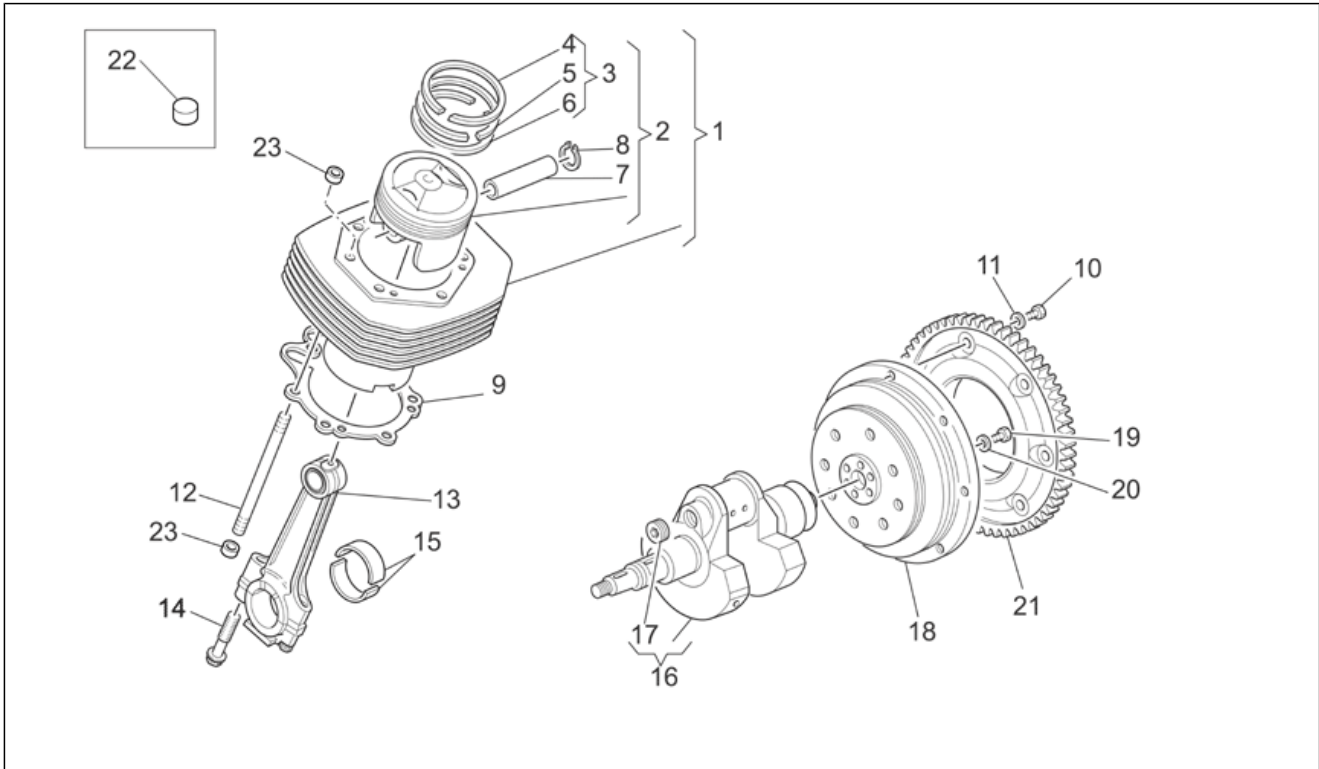
Pos.	Code	Description	Qty	Variants
1	976349	RH head assy w/h valve	1	Technical Specifications: From the engine A111934[M2]
2	976348	LH head assy with valve	1	Technical Specifications: From the engine A111934[M2]
3	976068	Cover	2	
4	969973	Washer	2	
5	GU05036131	Exhaust valve	2	
6	GU05036030	Intake valve	2	
7	GU90353016	Snap ring	4	
8	224202	O-ring 8,73x1,78-viton	4	Technical Specifications: From the engine A111934[M2]
9	825597	Pin 11,8X10	4	Technical Specifications: From the engine A111934[M2]
10	976181	Lower cup 14,2x32x7	4	Technical Specifications: 2nd Serie[2A]
10	GU01037030	Lower cup 14,2x32x5	4	Technical Specifications: 1st Serie[1A]
11	GU37037405	Outer spring	4	
12	GU37037605	Inner spring	4	
13	GU01038060	Upper cup	4	
14	GU01038160	Valve half-cone	8	
15	GU12022600	Oil plug	2	
16	GU90706203	O-ring 20,24X2,62	2	
17	GU05025331	Rubber spacer	18	
18	GU91110506	Bushing 5,2x7x6	4	
19	GU96508040	Stud bolt	4	
20	976087	Gasket	2	Technical Specifications: From the engine A111934[M2]
21	AP8152268	Hex socket screw M5x16	4	
22	976153	LH.Rocker arm support	1	Technical Specifications: From the engine A111934[M2]
23	GU92603010	Nut M10X1,5	8	
24	GU14018400	Washer 10,5X21X1	8	
25	GU14030201	RH rocker arm assy	2	
26	GU14030401	LH rocker arm assy	2	
27	GU91111511	Bushing 15x18x43	4	

Group	ENGINE
Code	34.42
Description	Cylinder head and valves II
Service	1



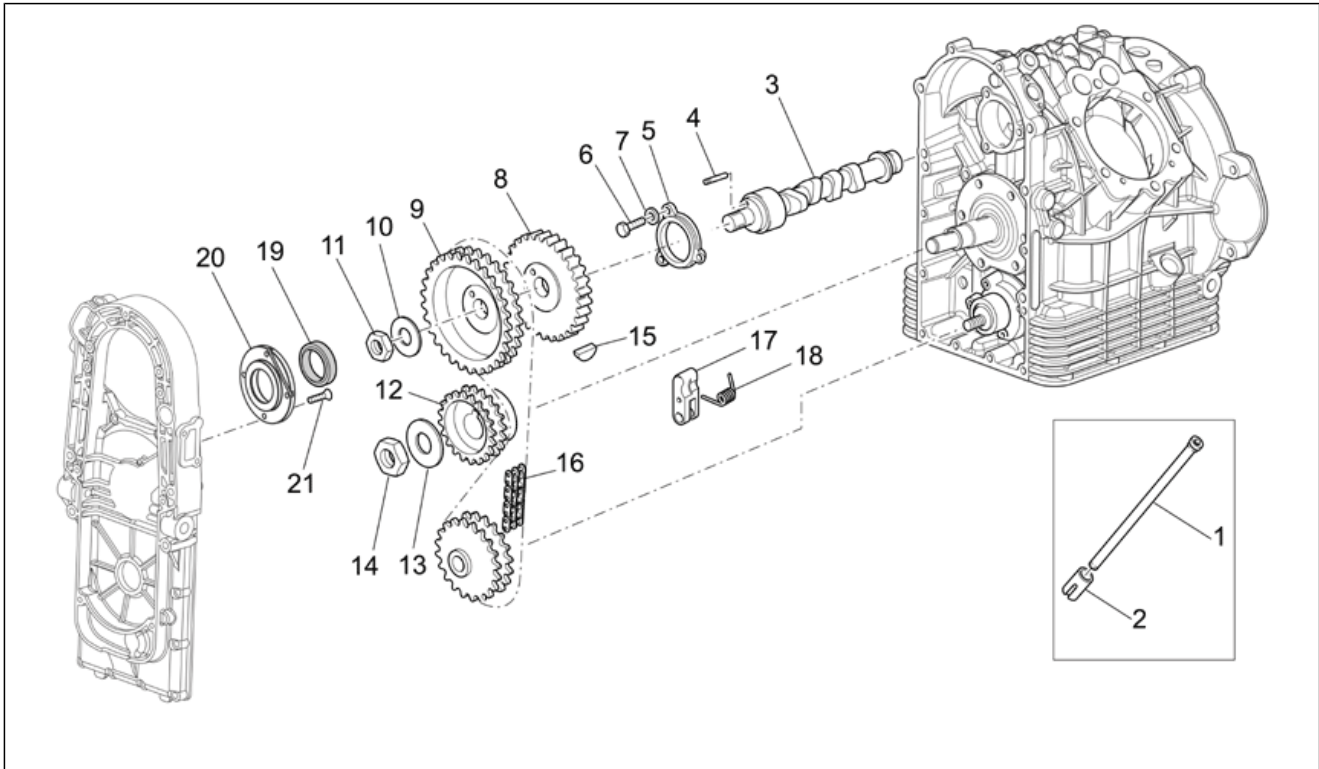
Pos.	Code	Description	Qty	Variants
28	GU17034050	Adjuster screw	4	
29	GU10034100	Nut	4	
30	GU94322215	Spring	4	
31	GU90118152	Washer 15,2x26x1	8	
32	GU10032700	Washer 15,2x26x0,5	4	
33	GU12031800	Rocker shaft	4	
34	GU98084316	Hex screw	4	
35	GU95120065	Washer 6,5x11x2	4	
36	GU06023500	Head cover	2	
37	GU06941000	Insert	2	
38	976139	Cover gasket	2	
39	GU05025932	screw M6x50	8	
40	GU95129180	Washer 10,5X18X0,8	4	
41	976144	screw	4	
42	976107	Valve stem seal D8	4	Technical Specifications: From the engine A111934[M2]
43	976152	RH.Rocker arm support	1	Technical Specifications: From the engine A111934[M2]
44	GU05025931	screw M6x35	12	
45	GU06023400	Spark plug cover	2	
46	GU91120617	Bushing 6,2x8,4x17,2	4	
47	GU13037200	Washer 14,2x31x1	4	Technical Specifications: 1st Serie[1A]
48	GU14037300	Washer 14,2x31x0,3	10	Technical Specifications: 1st Serie[1A]

Group	ENGINE
Code	34.43
Description	Crankshaft cpl.
Service	1



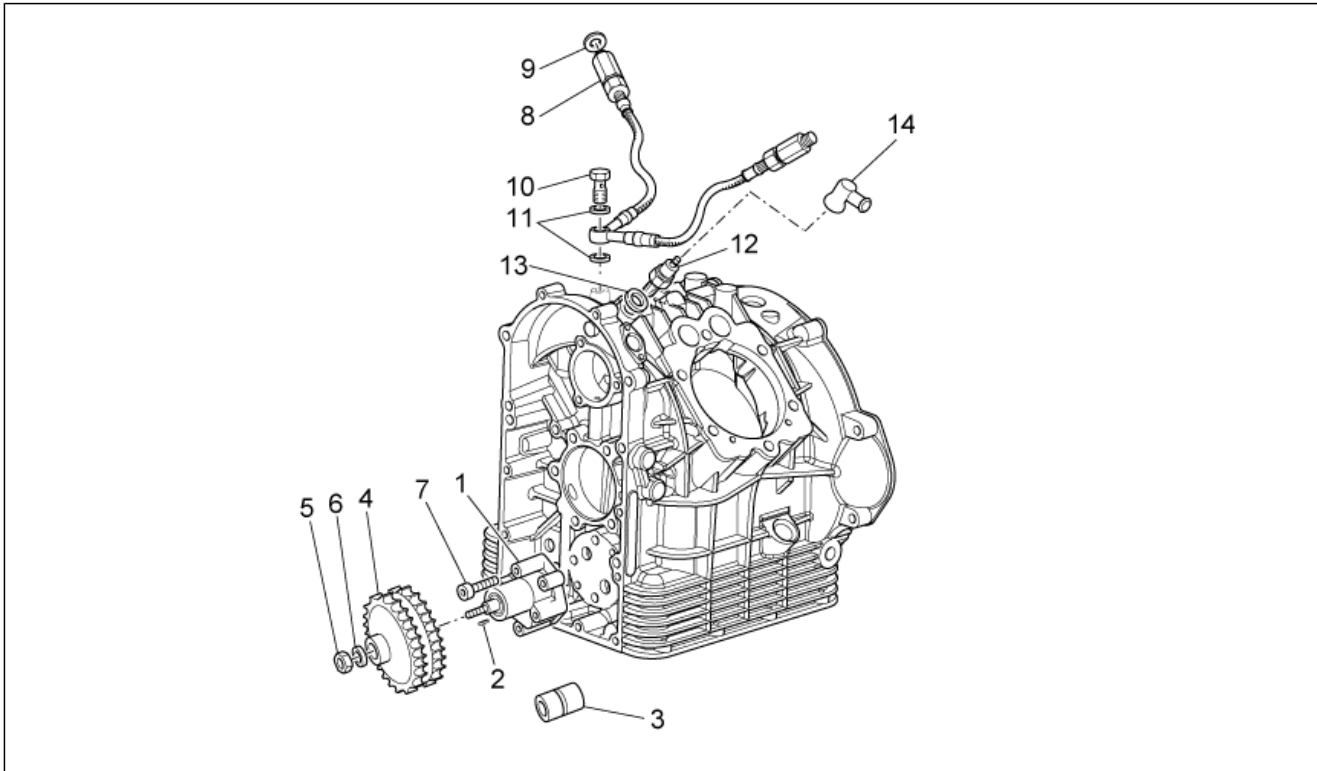
Pos.	Code	Description	Qty	Variants
1	976157	Cylinder - piston assy	2	Technical Specifications: Up to engine A111933[M1]
1	976195	Cylinder with piston	2	Technical Specifications: From the engine A111934[M2]
2	976085	Piston assy	2	
3	GU05060630	Pistonring set	2	
4	GU05060730	Piston ring	2	
5	GU05060930	Piston ring	2	
6	GU05061030	Piston ring	2	
7	GU30061241	Piston pin	2	
8	GU90351039	Stop ring	4	
9	976064	Gasket	2	Technical Specifications: From the engine A111934[M2]
9	GU05020830	Gasket	2	Technical Specifications: Up to engine A111933[M1]
10	GU37067705	screw	8	
11	GU14217901	Washer 6,4x10x0,7	8	
12	976031	Stud bolt	8	
13	976006	Connecting rod cpl.	2	
14	849131	Connecting rod screw	4	
15	976171	Bearing half-shell 1,539-1,544	4	Technical Specifications: Blue sign[BS]
15	976172	Bearing half-shell 1,535-1,540	4	Technical Specifications: Blue sign[BS], Red sign[RS]
16	976119	Crankshaft cpl.	1	
17	976020	Cover	1	
18	GU04067000	Flywheel cpl.	1	
19	GU12067701	screw	6	
20	GU14615901	Washer 8,4X13X0,8	6	
21	GU01067930	Chain ring	1	
22	GU05025330	Rubber spacer	54	
23	825597	Pin 11,8X10	6	Technical Specifications: From the engine A111934[M2]

Group	ENGINE
Code	34.44
Description	Timing system
Service	1



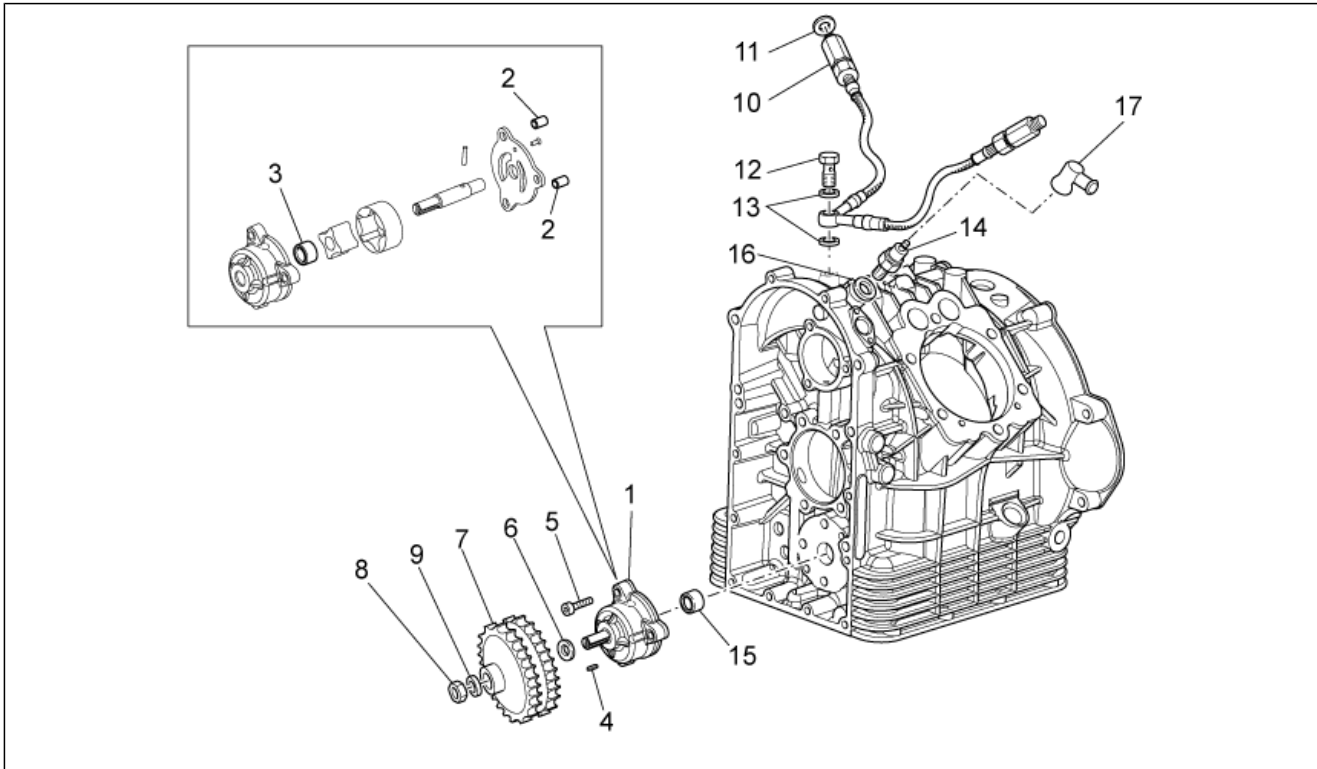
Pos.	Code	Description	Qty	Variants
1	GU37045006	Rocker arm rod	4	
2	GU17045860	Tappet	4	
3	GU05053331	Camshaft	1	
4	GU14234600	Pin	1	
5	GU01054001	Flange	1	
6	GU98084320	Hex screw M6x20	3	
7	GU95120065	Washer 6,5x11x2	3	
8	GU01051730	Wheel speed sensor, left front	1	
9	GU05054532	Timing system gear	1	
10	GU14433400	Spring washer 19x34x1,5	1	
11	GU92750180	Nut M18	1	
12	GU14072001	Pinion	1	
13	GU95100837	Washer 25,5x35x2	1	
14	GU92602525	Nut M25	1	
15	GU91600365	Transmission key 3x6,5	1	
16	GU05058030	Chain	1	
17	GU30058310	Chain guide plate	1	
18	GU30059211	Spring	1	
19	GU90401532	Gasket ring 15x32x7viton	1	
20	GU05055230	Maintenance	1	
21	AP8152043	Hex socket screw M4x10	4	

Group	ENGINE
Code	34.45
Description	Oil pump I
Service	1



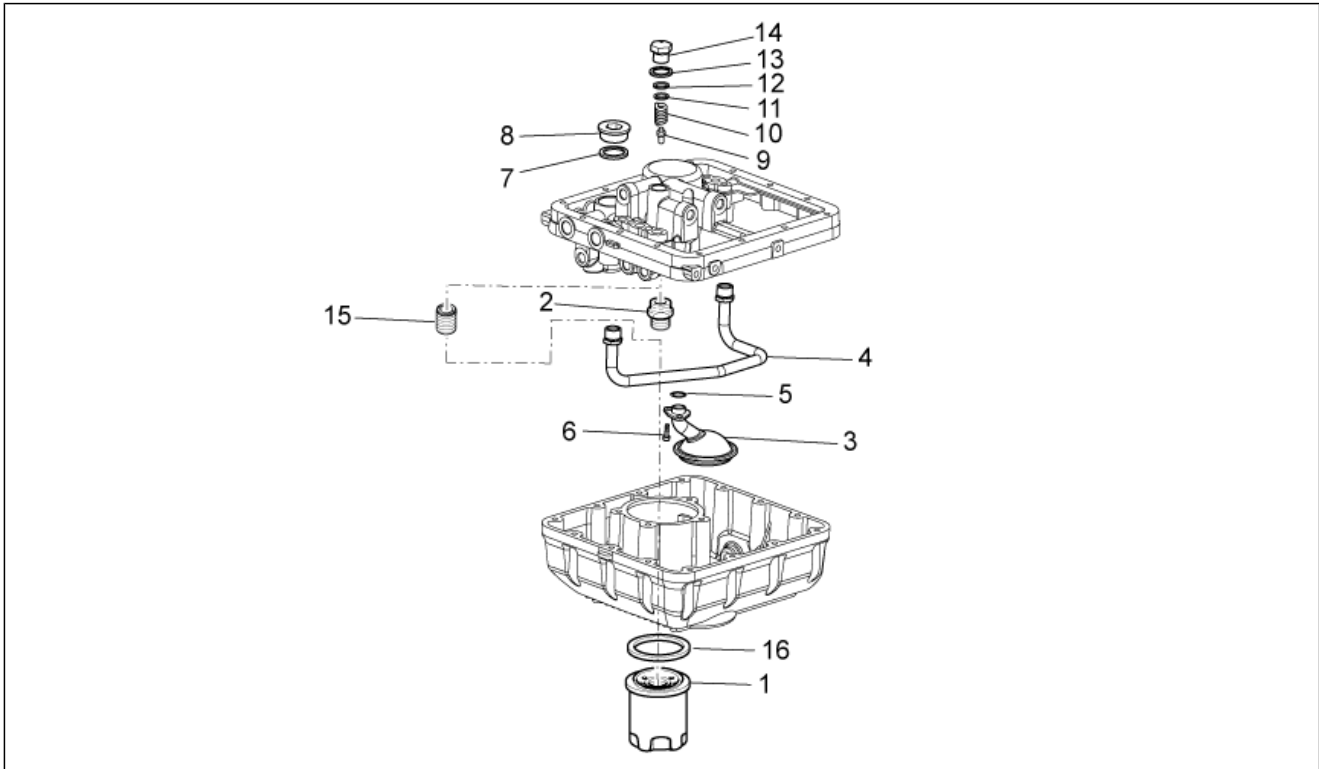
Pos.	Code	Description	Qty	Variants
1	GU30146400	Oil pump	1	Technical Specifications: Up to engine A111933[M1]
2	GU13148300	Transmission key	1	
3	GU92252210	Roller bearing 10x22x20	1	Technical Specifications: Up to engine A111933[M1]
4	GU30147700	Oil pump gear	1	
5	GU92602308	Nut	1	Technical Specifications: Up to engine A111933[M1]
6	GU95120085	Spring washer	1	Technical Specifications: Up to engine A111933[M1]
7	GU98682430	Hex socket screw M8x30	4	Technical Specifications: Up to engine A111933[M1]
8	GU05153630	Pipe	1	
9	GU25656102	Gasket	2	
10	GU95990037	screw	1	
11	GU12154200	Gasket 8,25x15x1	2	
12	GU31768780	Pressure sensor	1	
13	GU12006400	Gasket 12,25	1	
14	976688	Pressure oil sensor cap	1	

Group	ENGINE
Code	34.46
Description	Oil pump II
Service	1



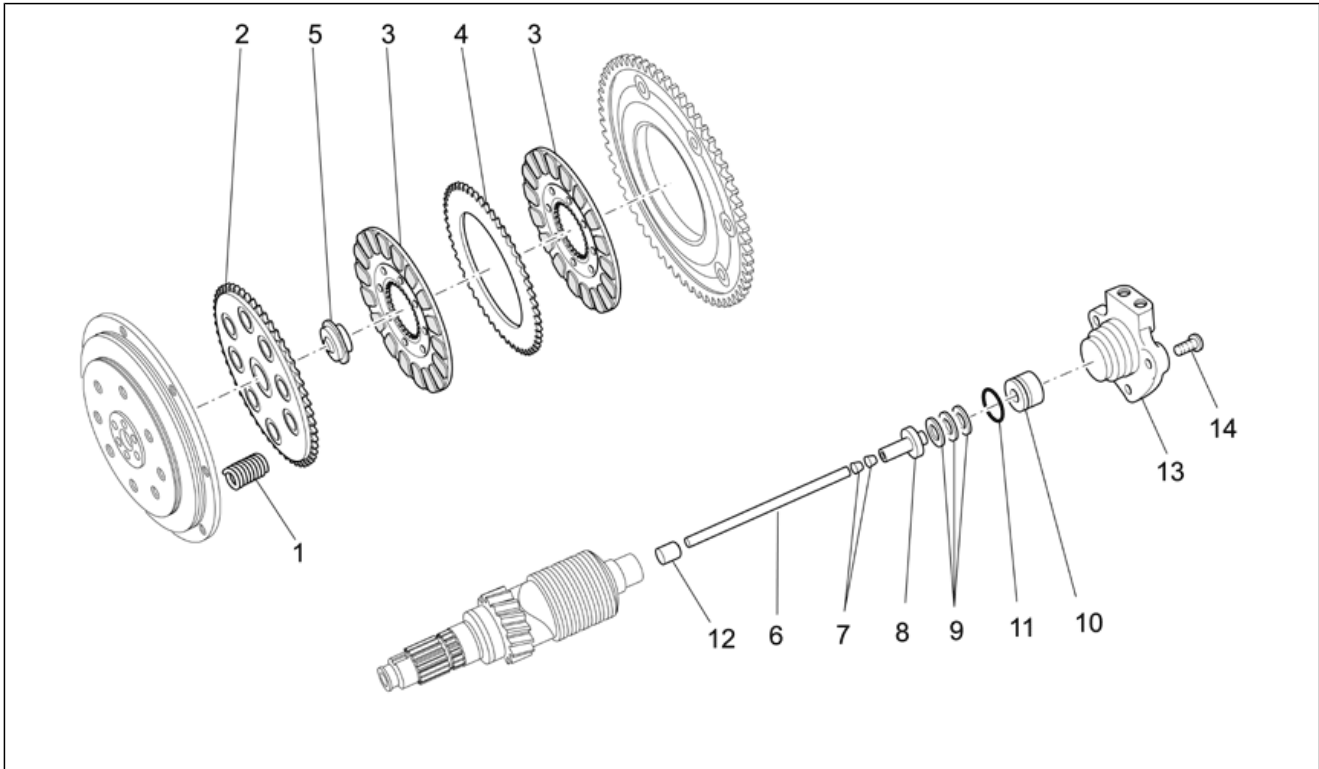
Pos.	Code	Description	Qty	Variants
1	976134	Oil pump	1	Technical Specifications: From the engine A111934[M2]
2	277916	Locating dowel	2	Technical Specifications: From the engine A111934[M2]
3	976165	Cage à rouleaux 12x18x12	1	Technical Specifications: From the engine A111934[M2]
4	GU13148300	Transmission key	1	
5	GU98350330	Hex socket screw M6x30	3	Technical Specifications: From the engine A111934[M2]
6	976448	Fifth wheel	1	Technical Specifications: From the engine A111934[M2]
7	GU30147700	Oil pump gear	1	
8	GU92602510	Nut M10x1,25	1	Technical Specifications: From the engine A111934[M2]
9	GU19149800	Washer 10,5x16x1	1	Technical Specifications: From the engine A111934[M2]
10	GU05153630	Pipe	1	
11	GU25656102	Gasket	2	
12	GU95990037	screw	1	
13	GU12154200	Gasket 8,25x15x1	2	
14	GU31768780	Pressure sensor	1	
15	976168	Cage à rouleaux 10x14x12	1	Technical Specifications: From the engine A111934[M2]
16	GU12006400	Gasket 12,25	1	
17	976688	Pressure oil sensor cap	1	

Group	ENGINE
Code	34.47
Description	Oil filters
Service	1



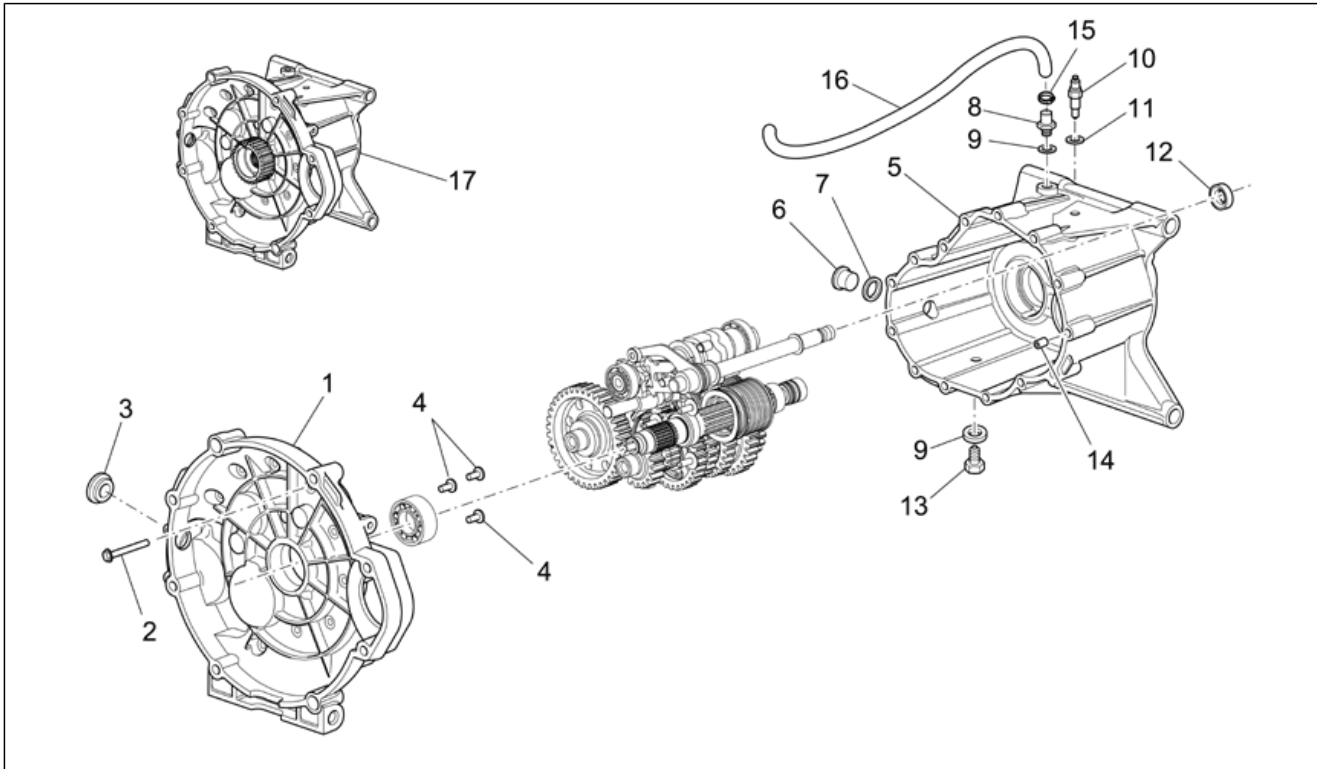
Pos.	Code	Description	Qty	Variants
1	GU30153000	Oil filter	1	
2	GU30003800	Oil filter union	1	Technical Specifications: 1st Serie[1A], Up to engine A1 12809[M3]
3	GU05152230	Oil filter	1	
4	GU05005730	pipe	1	
5	GU90706151	O-ring 15,08x2,62viton	1	
6	GU98682316	Hex socket screw M6x16	2	
7	GU01163700	Copper gasket	1	
8	GU01163600	Cover	1	
9	GU30150900	Piston	1	
10	GU94321077	Spring	1	
11	GU95008206	Washer 6,15x11x0,8	2	
12	GU30158900	Washer	1	
13	GU18144350	Washer 18,25x24x1	1	
14	GU31159050	Cover	1	
15	829122	Oil filter union	1	Technical Specifications: 2nd Serie[2A], From engine A1 12810[M4]
16	981115	Gasket	1	Technical Specifications: Ref. Technical communication n.... [CT1]

Group	ENGINE
Code	34.48
Description	Clutch
Service	1



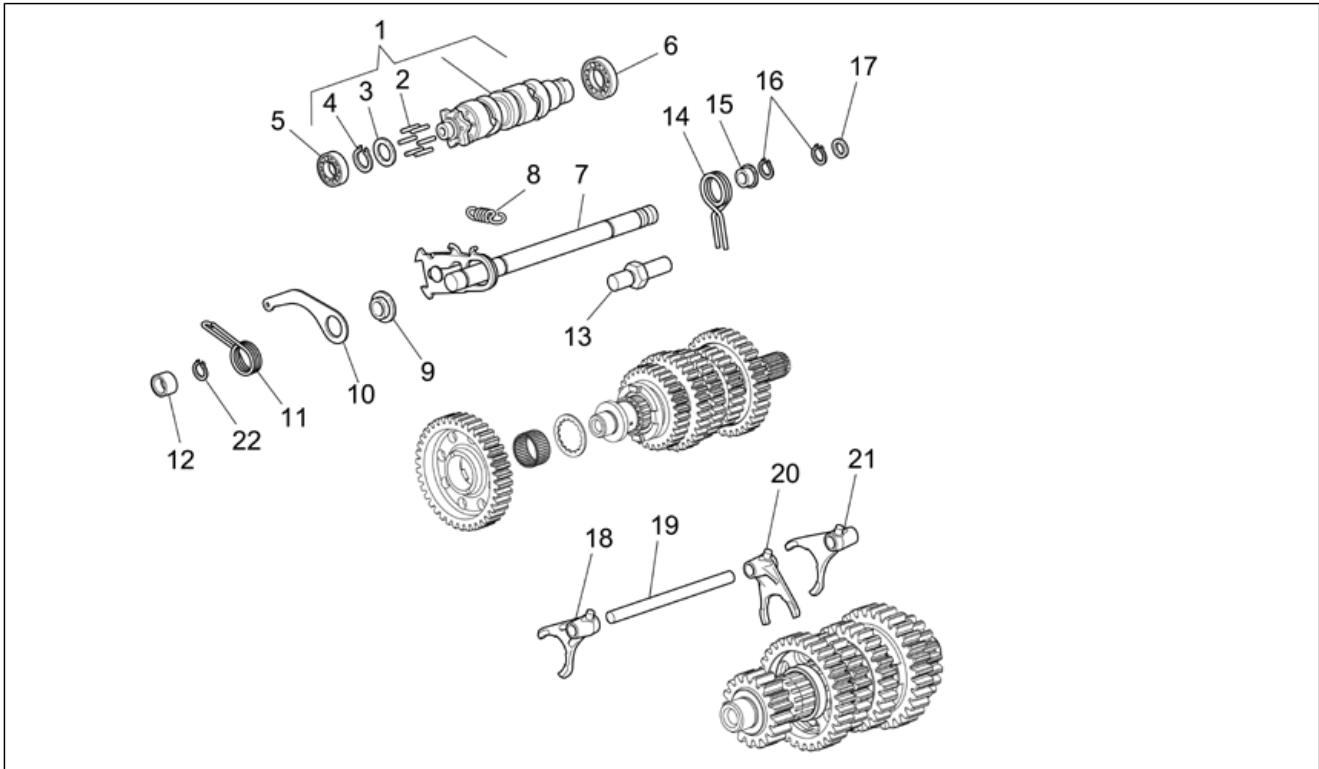
Pos.	Code	Description	Qty	Variants
1	GU04084100	Clutch spring	10	Technical Specifications: 1st Serie[1A]
1	GU04084100	Clutch spring	5	Technical Specifications: 2nd Serie[2A]
1	GU13084100	Clutch spring	5	Technical Specifications: 2nd Serie[2A], Red sign[RS]
2	GU30082900	Disc	1	
3	GU05084430	Clutch plate complete	2	
4	GU12082300	Intermediate plate	1	
5	GU04082800	Cup	1	
6	GU05085730	Rod	1	
7	GU14085900	Bush	2	
8	GU14086000	Inner body	1	
9	GU12087001	Thrust bearing	1	
10	GU04086100	Clutch control cylinder	1	
11	GU90706170	O-ring 17,13x2,62	1	
12	GU05217630	Bushing	1	
13	GU05086330	Clutch command cylinder	1	
14	AP8152278	Screw w/ flange M6x16	3	

Group	ENGINE
Code	34.49
Description	Transmission cage
Service	1



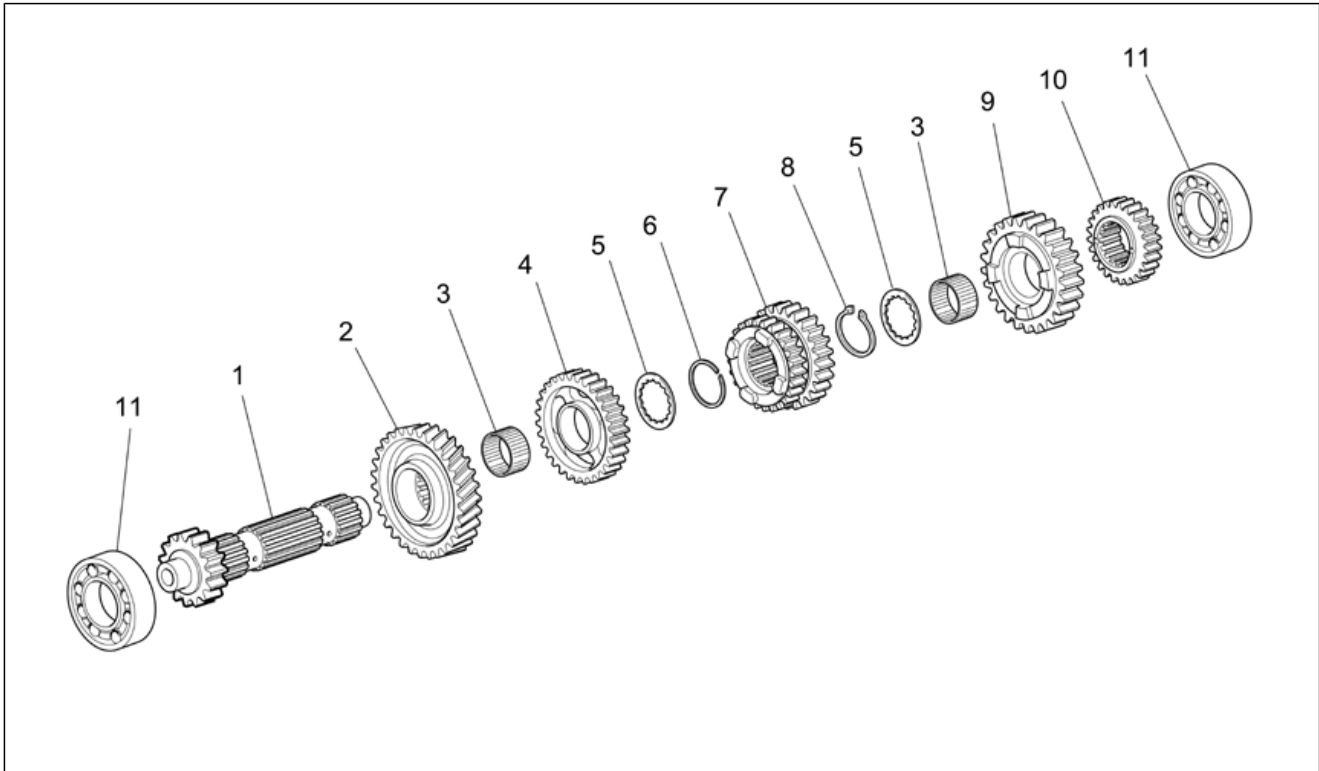
Pos.	Code	Description	Qty	Variants
1	976102	Clutch housing, grey	1	
2	GU97202355	Screw w/ flange M6x55	14	
3	GU93180220	Cover	1	
4	GU98370616	Hex socket screw M6x16 inox	3	
5	976104	Gearbox, grey	1	
6	GU95980319	Oil plug M18x1,5	1	
7	GU18144350	Washer 18,25x24x1	1	
8	GU05204930	Breather plug	1	
9	B063025	Guarnizione 8,7x14,2x1,3	1	
9	GU01528930	Gasket 10x18x1,5	2	
10	GU19207220	Sensor	1	
11	GU12154200	Gasket 8,25x15x1	1	
12	GU90401424	Gasket ring 14x24x7	1	
13	GU31003766	Oil unload plug M10x1	1	
14	GU19002020	Bushing 6,6x9x13	2	
15	AP8101595	Hose clamp D10,1	1	
16	AP8120952	Fuel pipe 5,5x10	1	
17	976908	Gear box assy	1	

Group	ENGINE
Code	34.50
Description	Gear box selector
Service	1



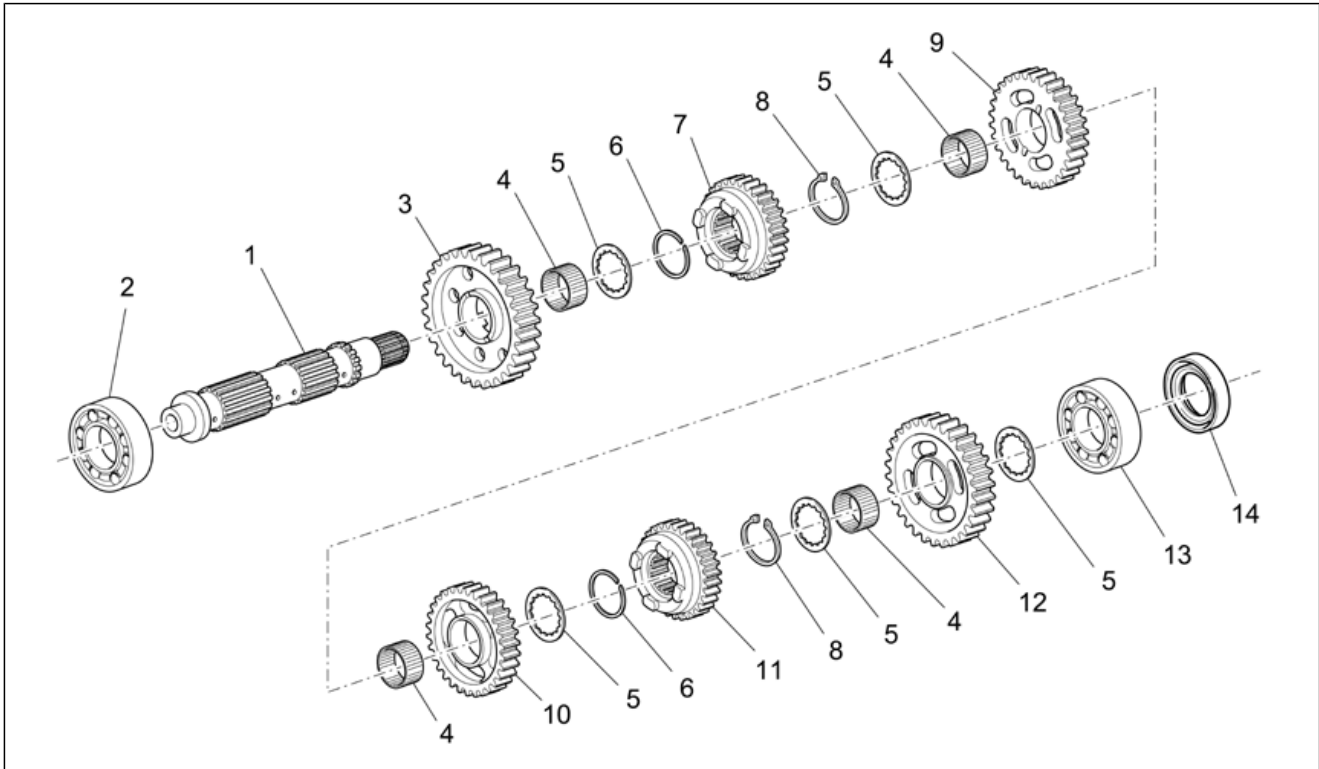
Pos.	Code	Description	Qty	Variants
1	GU05234431	Shift cam cpl.	1	
2	GU05234631	Pin	6	
3	GU05235531	Spacer	1	
4	GU90271022	Circlip	1	
5	GU92201117	Ball bearing 17x35x10	1	
6	GU92201025	Ball bearing 25x42x9	1	
7	GU05236231	Preselection complete	1	
8	GU05238231	Spring	1	
9	GU05238431	Bushing	1	
10	GU05234731	Lever Index	1	
11	GU05234130	Spring	1	
12	GU05234230	Spacer	1	
13	GU05234931	Fixing pin	1	
14	GU05238331	Spring	1	
15	GU05238131	Spacer	1	
16	GU90271014	Circlip	2	
17	GU05239330	Fifth wheel	1	
18	GU05230531	Fork 1a-3a	1	
19	GU05232431	Fork shaft	1	
20	GU05232631	Fork 5a-6a	1	
21	GU05230831	Fork 2a-4a	1	
22	GU90353014	Circlip	1	

Group	ENGINE
Code	34.51
Description	Primary gear shaft
Service	1



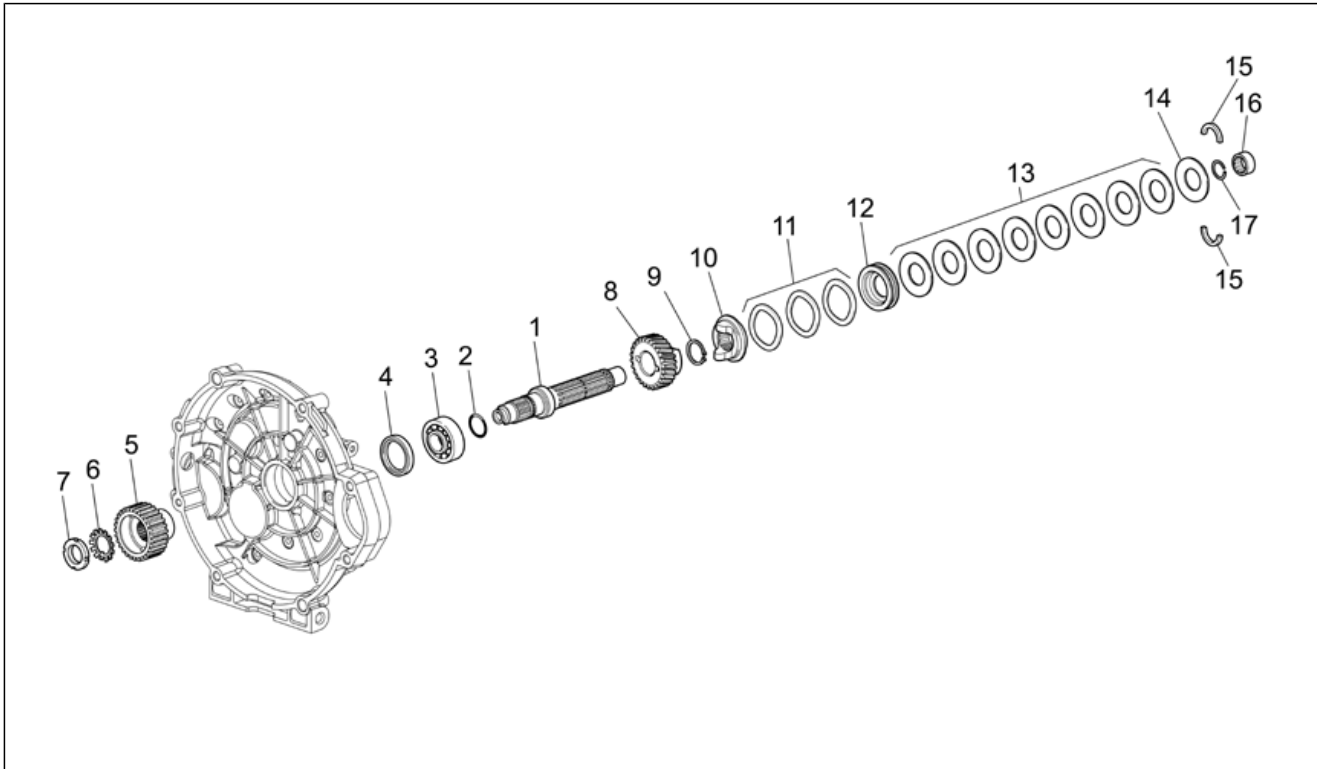
Pos.	Code	Description	Qty	Variants
1	GU05210631	Primary gear shaft Z=17	1	
2	976138	Drive gears Z=36	1	
3	GU92252029	Roller cage 26x30x15,6	2	
4	GU05212031	Gear 5a Z=31	1	
5	GU05214630	Clearance washer	2	
6	GU90271230	Snap ring 30x1,25W	1	
7	GU05211431	Gear 3a-4a Z=23-26	1	
8	GU90271030	Snap ring 30x27,9	1	
9	GU05212631	Gear 6a Z=29	1	
10	GU05211331	Gear 2a Z=20	1	
11	GU92201822	Ball bearing 20x52x15	2	

Group	ENGINE
Code	34.52
Description	Driven shaft
Service	1



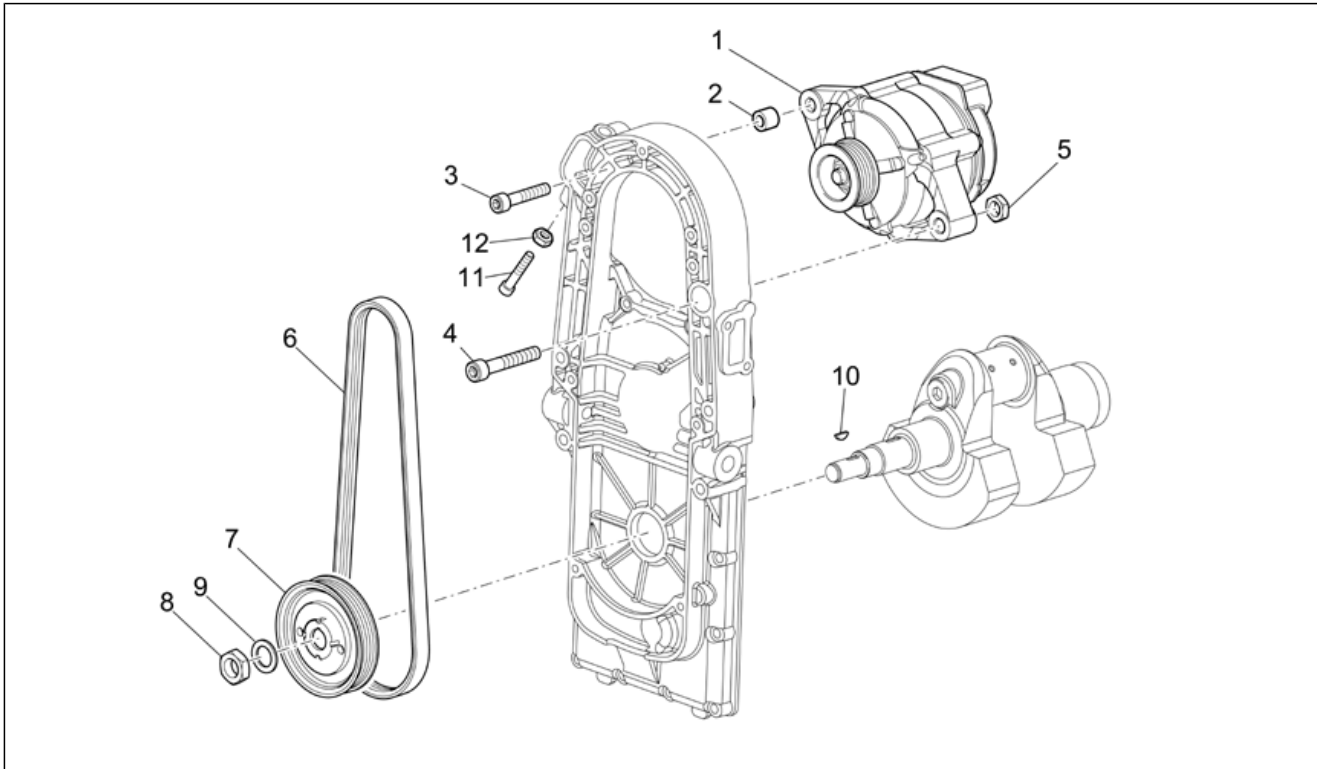
Pos.	Code	Description	Qty	Variants
1	GU05213631	Driven shaft	1	
2	GU92201822	Ball bearing 20x52x15	1	
3	GU05214231	Gear 1a Z=38	1	
4	GU92252029	Roller cage 26x30x15,6	4	
5	GU05214630	Clearance washer	5	
6	GU90271230	Snap ring 30x1,25W	2	
7	GU05214031	Gear 5a Z=30	1	
8	GU90271030	Snap ring 30x27,9	2	
9	GU05214731	Gear 3a Z=31	1	
10	GU05215031	Gear 4a Z=29	1	
11	GU05220531	Gear 6a Z=25	1	
12	GU05214431	Gear 2a Z=34	1	
13	GU92201226	Ball bearing 25x52x15	1	
14	GU90412541	Gasket ring 25x40x7	1	

Group	ENGINE
Code	34.53
Description	Clutch shaft
Service	1



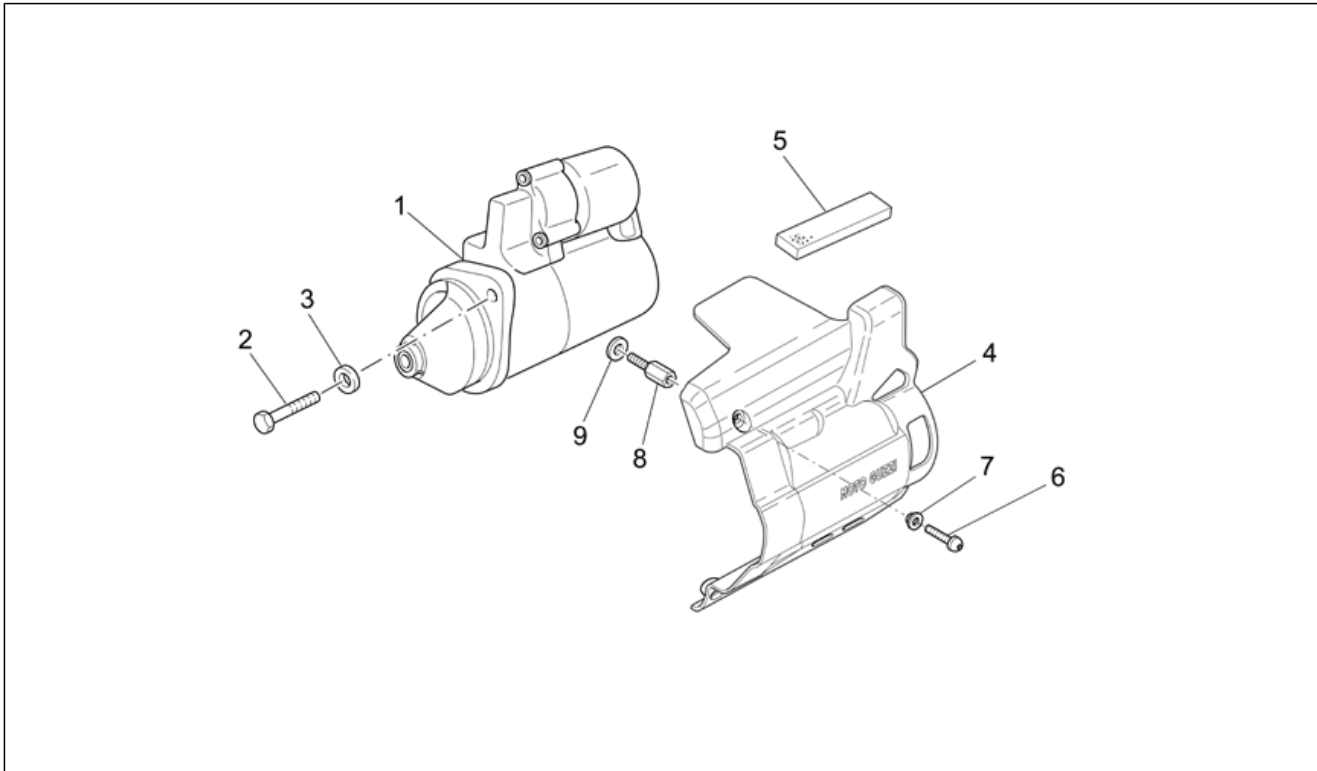
Pos.	Code	Description	Qty	Variants
1	GU05210731	Clutch shaft	1	
2	GU90706203	O-ring 20,24X2,62	1	
3	GU92201226	Ball bearing 25x52x15	1	
4	GU90403549	Gasket ring 35x47x7	1	
5	GU05081830	Clutch gear	1	
6	GU95028022	Washer 22x20x3,9	1	
7	GU93601022	Ring nut	1	
8	976137	Idle gear Z=23	1	
9	GU90271125	Snap ring 25x2	1	
10	GU05211231	Hose	1	
11	GU95129340	Washer	3	
12	GU05211030	Disc	1	
13	GU05211530	Belleville spring	8	
14	GU05211630	Disc	1	
15	GU12211700	Half ring	2	
16	GU92232028	Roller bearing 20x28x13	1	
17	GU90272028	Snap ring 28x30,1	1	

Group	ENGINE
Code	34.54
Description	Current generator
Service	1



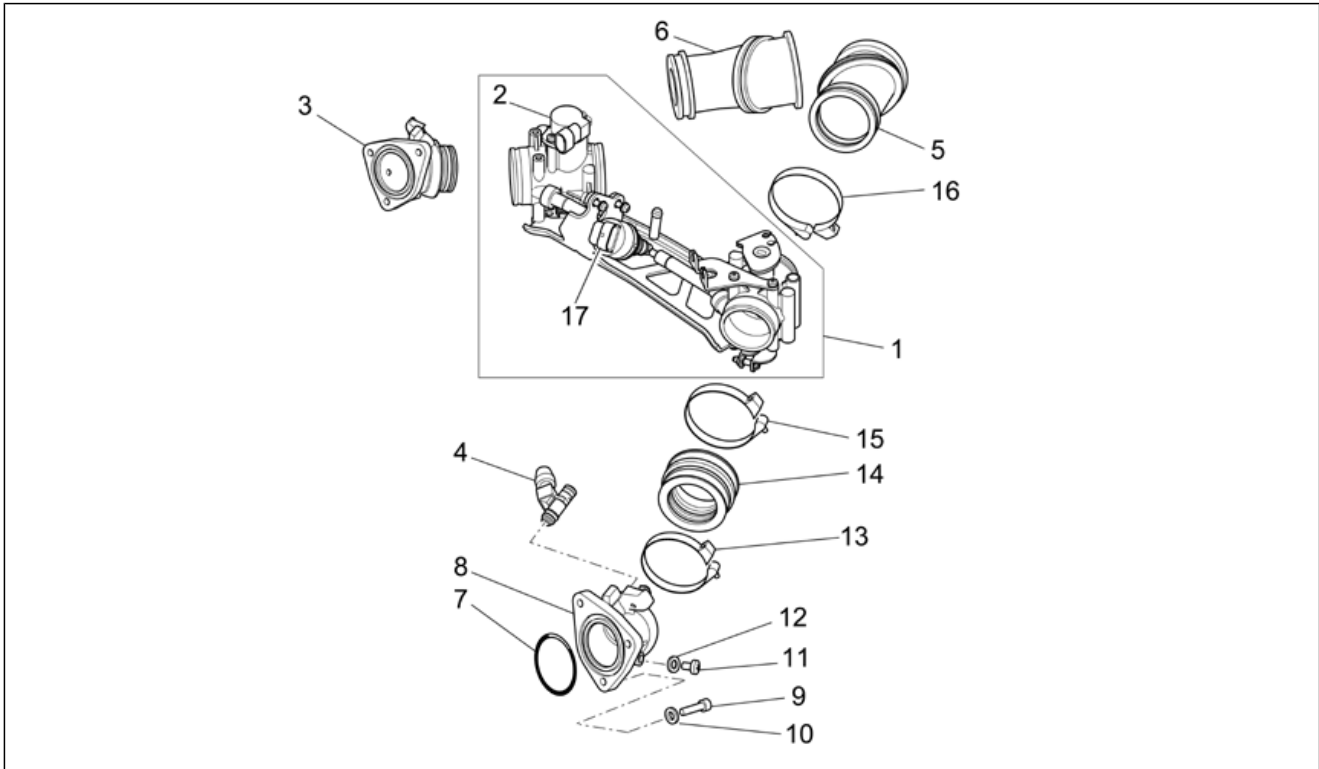
Pos.	Code	Description	Qty	Variants
1	GU05712431	Generator	1	
2	GU91180823	Spacer 8,5x17x13	1	
3	GU98620445	Hex socket screw M8x45	1	
4	GU98620560	Hex socket screw M10x60	1	
5	GU92660012	Nut M10X1,5	1	
6	GU05702530	Belt	1	
7	GU05701430	Generator lever pulley	1	
8	GU92606516	Nut M16	1	
9	GU30714201	Washer 16,25x24,5x5	1	
10	AP4FAN000030	Flywheel magneto key	1	
11	GU98230850	Hex socket screw M8x50	1	
12	GU92605408	Nut M8x1,25	1	

Group	ENGINE
Code	34.55
Description	Starter motor
Service	1



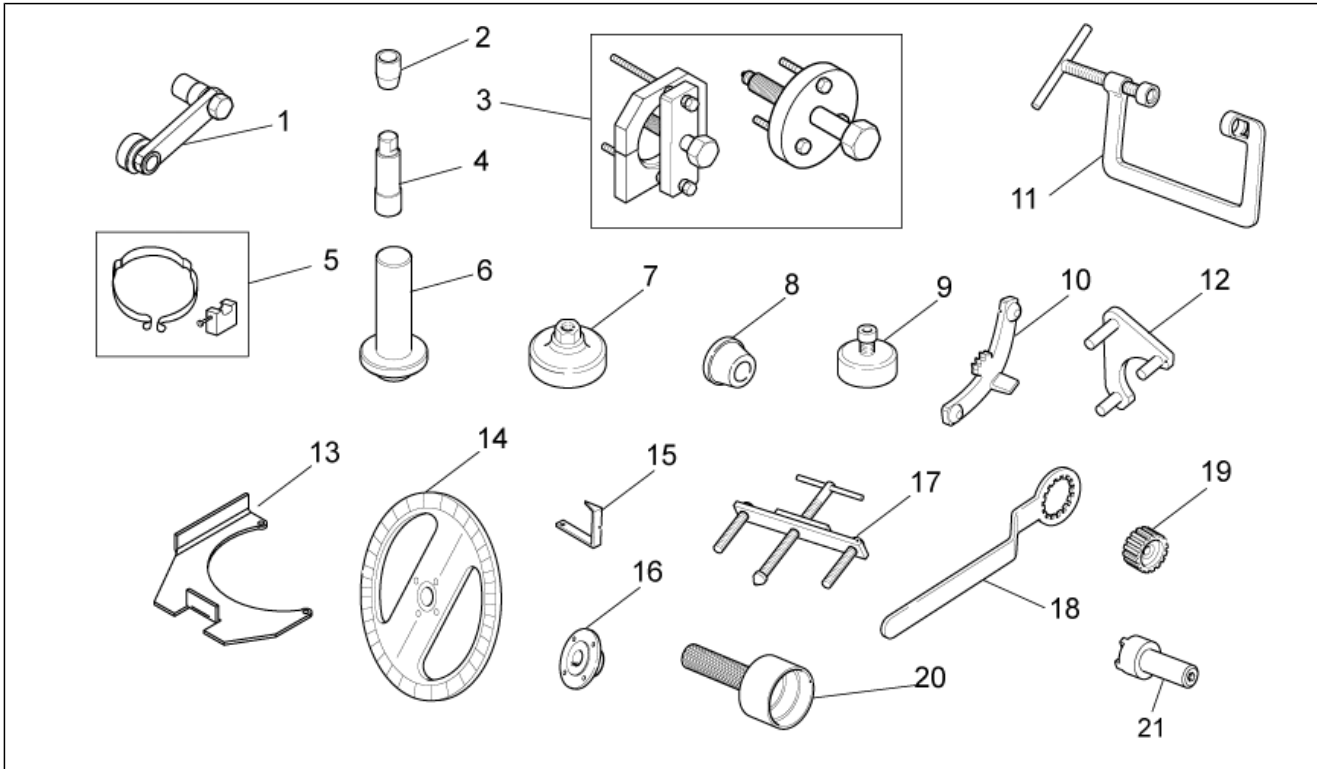
Pos.	Code	Description	Qty	Variants
1	GU05730730	Starter motor Bosch	1	
2	GU98082475	Hex screw M8x75	2	
3	GU95008208	Washer 8,4X15X1,5	2	
4	GU05733330	Cover chrome grey	1	
5	AP8117200	Adhesive sponge	1	
6	GU98370609	Hex socket screw M6x10	2	
7	AP8121032	Bush	2	
8	GU03469201	Stud bolt	1	
9	GU03013800	Washer 6,4x12	1	

Group	ENGINE
Code	34.56
Description	Throttle body
Service	1



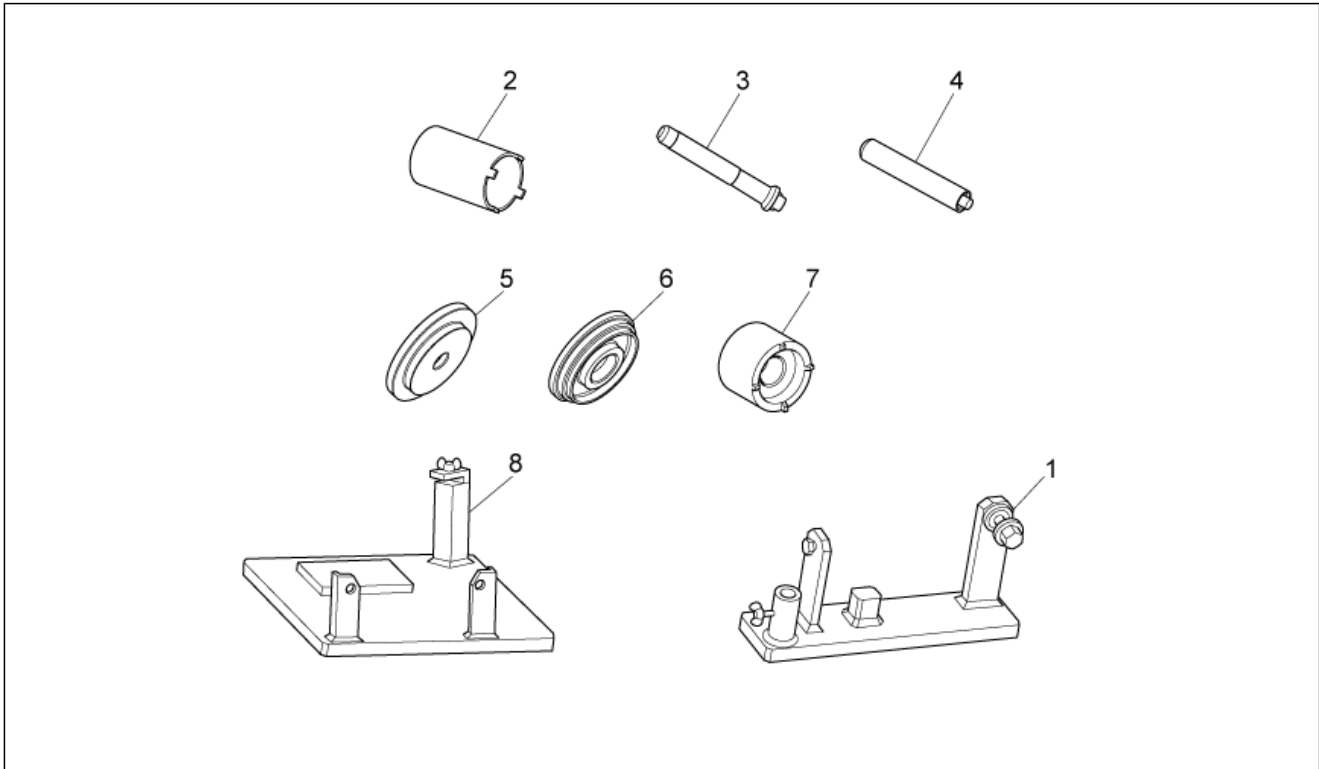
Pos.	Code	Description	Qty	Variants
1	GU05112530	Throttle assy	1	
2	GU05112830	Potentiometer	1	
3	GU05115030	RH manifold	1	
4	GU05115730	Injector kit complete	2	
5	GU06114401	Intake hose RH	1	
6	GU06114400	Intake hose LH	1	
7	GU90706461	O-ring 46,04x3,53	2	
8	GU05115031	LH manifold	1	
9	GU98682325	Hex socket screw M6x25	6	
10	GU95008206	Washer 6,15x11x0,8	6	
11	GU98350310	Hex socket screw M6x20	2	
12	GU95100116	Washer 6,25x10x1,5	2	
13	GU93305057	Hose clamp 57x59,5x10	2	
14	GU01114390	Hose	2	
15	GU93305061	Hose clamp 61/65,5	2	
16	GU93305058	Hose clamp	2	
17	GU05135830	Min.regulation engine	1	

Group	SPECIAL TOOLS
Code	36.57
Description	Specific tools I
Service	1



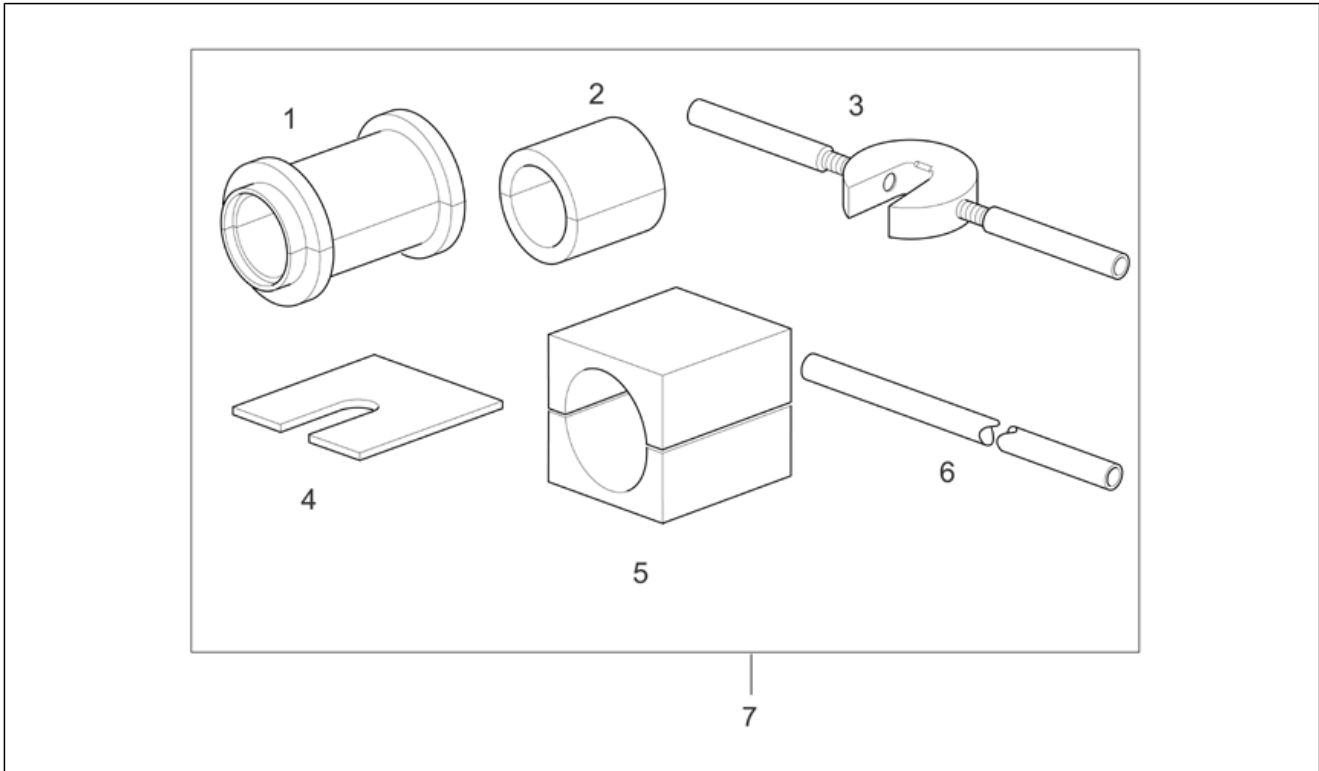
Pos.	Code	Description	Qty	Variants
1	GU05948630	Belt tensioning tool	1	
2	GU05911730	Front cover installation cone	1	
3	GU05912530	Gearbox opening tool	1	
4	GU05901930	Spark plug spanner	1	
5	GU05928030	Piston ring clamp	1	
6	GU05927230	Timing cover seal drift	1	
7	GU01929100	Wrench remov.cover sump/filter	1	
8	GU12912000	Flange flywheel side	1	
9	GU14927100	Seal ring onto flange fly.side	1	
10	GU12911801	Lock flywh.starter motor gear	1	
11	GU10907200	Valve removal and fitting	1	
12	GU14927300	Clamping the camshaft gearing	1	
13	GU05902530	Gearbox housing support	1	
14	GU19929600	Index plate tim.sett./ign.cont	1	
15	GU17947560	Arrow tim.set.ignition control	1	
16	GU65928400	Index plate hub	1	
17	GU12913600	Flange removal flywheel side	1	
18	GU30912810	Locking clutch internal body	1	
19	GU30906510	Tool for clutch assembly	1	
20	GU19927100	Seal ring flange flywheel side	1	
21	GU14912603	Key	1	

Group	SPECIAL TOOLS
Code	36.58
Description	Specific tools II
Service	1



Pos.	Code	Description	Qty	Variants
1	GU05902736	Bevel gears support	1	
2	AP8140190	Steering lock tool	1	
3	GU05902732	Handle for drifts	1	
4	GU05902733	Ball joint seal drift	1	
5	GU05902731	Transmis.box oil seal drift 85	1	
6	GU05902735	Sprocket oil seal drift 45x58	1	
7	GU05902734	Wrench for sprocket ring nut	1	
8	GU05902730	Transmission box support	1	

Group	SPECIAL TOOLS
Code	36.59
Description	Specific tools III
Service	1



Pos.	Code	Description	Qty	Variants
1	AP8140145	Tool oil seal assy Ø41 mm	1	
2	AP8140146	Weight for AP8140189	1	
3	AP8140147	Tool for spacer stop	1	
4	AP8140148	Separator plate for spacer	1	
5	AP8140149	Protection for disassembly op	1	
6	AP8140150	Tool to assist bleeding air	1	
7	AP8140151	SHOWA FORKS TOOL KIT	1	