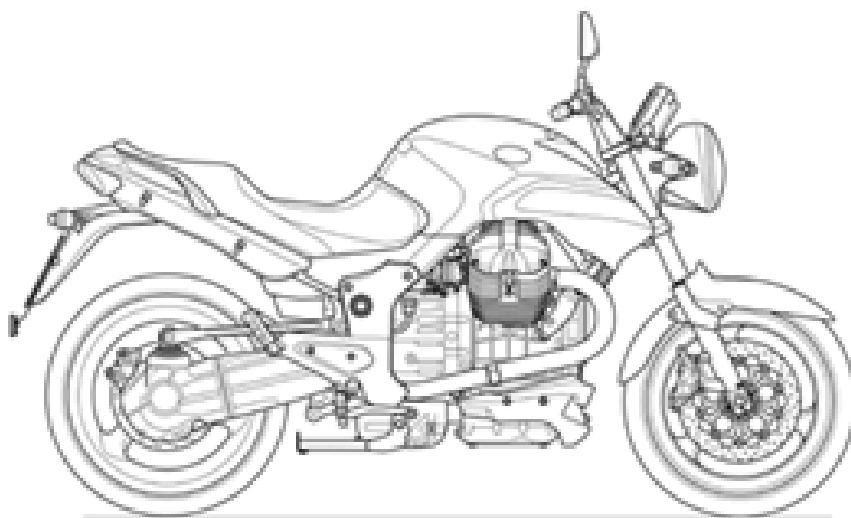




PIAGGIO & C.s.p.a.



## SPARE PARTS CATALOGUE



### **Breva V IE 1100 2005-2007**

Chassis prefix: ZGULP0, ZGULPA, ZGULPC

Engine prefix:

*BREVA*

**GU077**



## Index

Finished products.....	4
Alphanumeric index.....	5
FRAME.....	12
Table 33.01 - Frame.....	12
Table 33.02 - Stands.....	13
Table 33.03 - Foot rests I.....	15
Table 33.04 - Foot rests II.....	16
Table 33.05 - Gear lever.....	17
Table 33.06 - Steering.....	18
Table 33.07 - Front fork.....	19
Table 33.08 - Swing arm.....	21
Table 33.09 - Transmission complete.....	22
Table 33.10 - Trans.cpl.-Cage.....	23
Table 33.11 - Trans.cpl.-Bevel gear.....	24
Table 33.12 - Connecting rod - rear shock abs.....	25
Table 33.13 - Fuel tank.....	26
Table 33.14 - Front body - Duct.....	28
Table 33.15 - Front mud.-Pillar.....	29
Table 33.16 - Saddle-Central bod.....	30
Table 33.17 - Rear body - Mudguard.....	32
Table 33.18 - Rear body - Rear fairing.....	33
Table 33.19 - Dashboard.....	34
Table 33.20 - Handlebar - Controls.....	36
Table 33.21 - Front master cilinder.....	38
Table 33.22 - Clutch control complete.....	39
Table 33.23 - Oil radiator.....	40
Table 33.24 - Blow-by system.....	41
Table 33.25 - Fuel supply.....	42
Table 33.26 - Air box.....	43
Table 33.27 - Exhaust unit.....	44
Table 33.28 - Internal fuel pump.....	45
Table 33.29 - Front wheel.....	46
Table 33.30 - Front brake caliper.....	47
Table 33.31 - Rear wheel.....	48
Table 33.32 - Rear master cylinder.....	49
Table 33.33 - Rear brake caliper.....	51
Table 33.34 - Headlight/Horn.....	52
Table 33.35 - Taillight.....	53
Table 33.36 - Electrical system I.....	54
Table 33.37 - Electrical system II.....	56
Table 33.38 - Lock hardware kit.....	58
Table 33.39 - Plate set-decal-op.handbooks.....	59
Table 33.57 - Fuel vapour recover system.....	62



---

Table 33.60 - ABS Brake system.....	63
ENGINE.....	64
Table 34.40 - Crank-case.....	64
Table 34.41 - Cylinder head and valves I.....	66
Table 34.42 - Cylinder head and valves II.....	68
Table 34.43 - Crankshaft cpl.....	70
Table 34.44 - Timing system.....	72
Table 34.45 - Oil pump I.....	74
Table 34.46 - Oil pump II.....	75
Table 34.47 - Oil filters.....	76
Table 34.48 - Clutch.....	77
Table 34.49 - Transmission cage.....	78
Table 34.50 - Gear box selector.....	79
Table 34.51 - Primary gear shaft.....	80
Table 34.52 - Driven shaft.....	81
Table 34.53 - Clutch shaft.....	82
Table 34.54 - Current generator.....	83
Table 34.55 - Starter motor.....	84
Table 34.56 - Throttle body.....	85
SPECIAL TOOLS.....	86
Table 36.58 - Specific tools I.....	86
Table 36.59 - Specific tools II.....	87



BREVA  
GU077 - Brevia V IE 1100 2005-2007

Chassis prefix: ZGULP0, ZGULPA, ZGULPC  
Engine prefix:

## Finished products

Code	Validity
9032700US601UNC	
9032700US602UNC	
AP60100EL04	
GU9032700CA701	
GU9032700CA702	
GU9032700US601	
GU9032700US602	
GU9032700US603	



Code	No. table	Pos.	Code	No. table	Pos.	Code	No. table	Pos.
0000000	33.07	26	977522	33.20	26	AP8102375	33.15	3
0000000	33.29	14	977523	33.19	1	AP8102375	33.15	6
0000000	33.31	8	977524	33.19	1	AP8102375	33.17	6
0000000	34.55	5	977556	33.15	1	AP8102375	33.18	4
0000000	34.55	6	977557	33.13	1	AP8102377	33.57	5
0000000	34.55	7	977558	33.13	1	AP8102378	33.57	4
0000000	34.55	8	977559	33.16	2	AP8102502	33.16	12
224202	34.42	8	977560	33.16	5	AP8102520	33.24	4
277916	34.46	2	977561	33.18	1	AP8102523	33.16	11
639542	33.02	32	977562	33.18	2	AP8102524	33.02	17
825597	34.42	9	977571	33.02	26	AP8102678	33.57	1
825597	34.43	24	977577	33.39	15	AP8102764	33.25	4
849131	34.43	14	977578	33.39	16	AP8102765	33.24	17
883045	33.09	7	977579	33.39	14	AP8102913	33.16	8
883079	33.27	24	977666	33.38	1	AP8102914	33.16	7
883802	33.20	22	977679	33.20	24	AP8104211	33.26	2
883802	33.20	23	977700	33.01	1	AP8104451	33.13	15
883818	33.37	2	977761	33.37	27	AP8104566	33.20	19
883819	33.37	3	977762	33.37	28	AP8104572	33.20	7
883828	33.17	1	977763	33.39	10	AP8104614	33.57	7
883883	33.29	1	977763	33.39	10	AP8104666	33.13	13
883886	33.31	1	977769	33.37	22	AP8104666	33.57	9
884033	33.32	24	977771	33.37	23	AP8106713	33.22	1
887422	33.28	1	977772	33.37	21	AP8110066	33.12	5
969973	34.41	45	977773	33.37	20	AP8110068	33.12	6
969973	34.42	46	977780	33.20	25	AP8110077	33.06	8
976003	34.43	13	977788	33.01	13	AP8112811	33.37	9
976031	34.43	12	977805	33.01	16	AP8112811	33.37	9
976041	34.40	1	977806	33.01	15	AP8112996	33.32	27
976064	34.43	9	978093	33.01	17	AP8113288	33.32	3
976068	34.41	44	978220	33.38	5	AP8113594	33.32	2
976068	34.42	45	978223	33.36	1	AP8113993	33.21	5
976079	34.42	1	978223	33.37	1	AP8113993	33.22	4
976080	34.42	2	978244	33.36	1	AP8113995	33.21	3
976087	34.42	20	978244	33.37	1	AP8113997	33.22	5
976107	34.42	3	978247	33.39	7	AP8113998	33.22	6
976117	34.43	17	978248	33.39	7	AP8117200	33.37	5
976134	34.46	1	978249	33.16	1	AP8117200	34.55	12
976139	34.41	38	978314	33.20	17	AP8118492	33.20	15
976139	34.42	38	978315	33.20	18	AP8118502	33.20	14
976144	34.41	42	978505	33.37	11	AP8118503	33.20	16
976144	34.42	41	978606	33.21	1	AP8118659	33.22	2
976152	34.42	4	978607	33.22	1	AP8120030	33.26	12
976153	34.42	22	978825	33.28	1	AP8120030	33.36	5
976165	34.46	3	981046	33.22	2	AP8120116	33.25	6
976168	34.46	15	981050	33.21	2	AP8120177	33.37	6
976171	34.43	16	981087	33.19	28	AP8120178	33.32	13
976172	34.43	16	981087	33.38	7	AP8120405	33.35	4
976181	34.42	10	981115	34.47	17	AP8120428	33.26	19
976186	34.43	17	AP4ADN000007	34.40	30	AP8120428	34.56	19
976196	34.43	1	AP4FAN000030	34.54	10	AP8120455	33.18	16
976448	34.46	6	AP8101372	33.23	6	AP8120485	33.11	7
976521	33.27	19	AP8101586	33.24	9	AP8120594	33.15	10
976522	33.27	11	AP8101588	33.24	11	AP8120615	33.26	4
976523	33.27	12	AP8101595	33.13	12	AP8120876	33.26	18
976688	34.45	14	AP8101595	33.17	15	AP8120912	33.05	3
976688	34.46	17	AP8101595	33.26	17	AP8120912	33.32	20
977041	33.32	14	AP8101595	33.32	5	AP8120952	33.13	14
977056	33.31	10	AP8101595	33.57	10	AP8120952	33.17	14
977079	33.02	10	AP8101595	34.49	15	AP8120952	33.57	6
977080	33.02	31	AP8101861	33.03	13	AP8120952	34.49	16
977093	33.02	28	AP8101944	33.57	11	AP8120965	33.13	11
977149	33.25	10	AP8101968	33.32	16	AP8120965	33.57	13
977292	33.02	26	AP8102151	33.24	3	AP8121032	34.55	14
977408	33.02	30	AP8102151	33.32	28	AP8121096	33.18	15
977472	33.39	7	AP8102239	33.25	7	AP8121098	33.11	6
977473	33.39	7	AP8102375	33.14	9	AP8121133	33.03	12



Code	No. table	Pos.	Code	No. table	Pos.	Code	No. table	Pos.
AP8121155	33.12	10	AP8150255	33.19	4	AP8152329	33.37	4
AP8121170	33.27	17	AP8150292	33.02	22	AP8152329	33.57	3
AP8121205	33.06	9	AP8150292	33.12	13	AP8152334	33.19	21
AP8121207	33.06	4	AP8150413	33.14	3	AP8152339	33.04	8
AP8121218	33.09	4	AP8150421	33.19	15	AP8152339	33.14	5
AP8121221	33.05	2	AP8150421	33.26	13	AP8152339	33.15	7
AP8121221	33.32	19	AP8150432	33.01	11	AP8152339	33.16	4
AP8121467	33.02	2	AP8150462	33.05	5	AP8152339	33.17	5
AP8121567	33.03	1	AP8150462	33.32	22	AP8152339	33.18	3
AP8121804	33.13	6	AP8150509	33.19	5	AP8152339	33.19	13
AP8121915	33.22	9	AP8150509	33.24	7	AP8152384	33.06	10
AP8121927	33.32	23	AP8152001	33.02	16	AP8152385	33.30	7
AP8121994	33.02	15	AP8152043	34.44	21	AP8152396	33.12	16
AP8123641	33.06	7	AP8152055	33.18	14	AP8152397	33.12	9
AP8123642	33.06	5	AP8152147	33.12	12	AP8152398	33.12	2
AP8123643	33.06	3	AP8152238	33.19	20	AP8152409	33.03	2
AP8123644	33.06	6	AP8152242	33.09	5	AP8152410	33.09	3
AP8124266	33.37	14	AP8152267	33.17	9	AP8152482	33.12	15
AP8124768	33.37	13	AP8152272	33.31	12	AP8178918	33.02	3
AP8124869	33.37	16	AP8152273	33.25	2	AP8201124	33.13	2
AP8124936	33.19	16	AP8152273	33.32	30	AP8201301	33.32	17
AP8124976	33.35	6	AP8152274	33.25	9	AP8201358	33.24	16
AP8124985	33.19	22	AP8152277	33.03	3	AP8201808	33.17	16
AP8125773	33.29	4	AP8152277	33.37	12	AP8201808	33.33	12
AP8125777	33.29	3	AP8152278	33.19	23	AP8202238	33.33	11
AP8125779	33.29	5	AP8152278	33.22	11	AP8202238	33.60	10
AP8125791	33.29	9	AP8152278	33.26	20	AP8212702	33.35	5
AP8127109	33.34	2	AP8152278	33.29	19	AP8213113	33.33	8
AP8127319	33.02	12	AP8152278	33.31	13	AP8213113	33.60	9
AP8127469	33.29	18	AP8152278	33.32	12	AP8220150	33.19	3
AP8127514	33.34	9	AP8152278	34.48	14	AP8220162	33.04	14
AP8127515	33.34	10	AP8152279	33.02	13	AP8220263	33.57	8
AP8127552	33.34	11	AP8152279	33.26	10	AP8220283	33.37	19
AP8127552	33.35	9	AP8152279	33.32	4	AP8220526	33.04	15
AP8127648	33.20	25	AP8152279	33.36	4	AP8220546	33.37	17
AP8127817	33.28	5	AP8152282	33.36	7	AP8221023	33.26	11
AP8133510	33.21	2	AP8152285	33.34	15	AP8221023	33.36	6
AP8133594	33.21	7	AP8152286	33.34	15	AP8221036	33.06	15
AP8133594	33.22	8	AP8152287	33.15	8	AP8221036	33.35	3
AP8133594	33.33	10	AP8152290	33.34	15	AP8221128	33.15	9
AP8133594	33.60	2	AP8152291	33.13	7	AP8221145	33.32	11
AP8133597	33.33	7	AP8152291	34.40	46	AP8221204	33.02	18
AP8133597	33.60	8	AP8152292	33.18	8	AP8221211	33.02	19
AP8134378	33.27	22	AP8152298	33.06	14	AP8221227	33.01	12
AP8134448	33.17	8	AP8152298	33.25	1	AP8221277	33.03	5
AP8134451	33.03	9	AP8152298	33.35	2	AP8221307	33.01	9
AP8134884	33.57	2	AP8152298	34.41	21	AP8221317	33.02	4
AP8135608	33.12	8	AP8152298	34.42	21	AP8221318	33.02	5
AP8135924	33.12	4	AP8152298	34.56	6	AP8224164	33.17	10
AP8140190	36.59	2	AP8152299	33.16	10	AP8224164	33.17	18
AP8144007	33.05	7	AP8152299	33.17	22	AP8224462	33.37	18
AP8144007	33.32	25	AP8152299	33.36	29	AP8258253	33.17	17
AP8144030	33.02	21	AP8152300	33.04	6	AP8706527	33.20	6
AP8144038	33.26	16	AP8152300	33.34	18	B045021	33.20	11
AP8144046	33.37	15	AP8152301	33.01	8	B063025	34.49	11
AP8144069	33.25	5	AP8152301	33.12	11	B063858	33.38	1
AP8144071	33.27	23	AP8152302	33.14	8	B063859	33.38	3
AP8144164	33.26	7	AP8152302	33.15	2	GU00823923140	33.02	23
AP8144538	33.16	3	AP8152302	33.18	6	GU00823950050	33.32	6
AP8144553	33.37	7	AP8152306	33.17	11	GU00823955080	33.24	8
AP8144707	33.34	19	AP8152306	33.17	19	GU01003651	34.40	24
AP8145034	33.03	6	AP8152306	33.35	7	GU01037030	34.41	40
AP8145035	33.03	8	AP8152318	33.08	2	GU01037030	34.42	10
AP8149034	33.17	20	AP8152320	33.33	2	GU01038060	34.41	13
AP8150015	33.02	14	AP8152329	33.17	4	GU01038060	34.42	13
AP8150046	33.04	12	AP8152329	33.26	9	GU01038160	34.41	14
AP8150046	34.40	16	AP8152329	33.32	10	GU01038160	34.42	14



Code	No. table	Pos.	Code	No. table	Pos.	Code	No. table	Pos.
GU01038730	34.41	10	GU04082800	34.48	5	GU05100238	33.13	1
GU01051730	34.44	8	GU04084100	34.48	1	GU05102930	33.13	16
GU01051730	34.44	8	GU04084100	34.48	1	GU05103830	33.26	5
GU01054001	34.44	5	GU04086100	34.48	10	GU05103930	33.13	8
GU01062030	34.43	16	GU05000730	34.40	1	GU05103930	33.38	2
GU01062031	34.43	16	GU05001231	34.40	14	GU05107230	33.28	1
GU01062032	34.43	16	GU05001430	34.40	15	GU05107430	33.28	3
GU01062033	34.43	16	GU05001630	34.40	21	GU05112530	34.56	1
GU01062230	34.43	14	GU05002130	34.40	40	GU05112830	34.56	2
GU01067930	34.43	22	GU05003130	34.40	25	GU05113530	33.26	6
GU01106090	33.28	2	GU05003530	34.40	27	GU05113730	33.26	3
GU01106692	33.25	3	GU05003630	34.40	26	GU05114031	33.26	1
GU01108490	33.28	4	GU05004930	34.40	34	GU05114130	33.26	8
GU01114390	34.56	14	GU05005730	34.47	4	GU05114430	34.56	17
GU01121030	33.27	4	GU05007230	34.40	18	GU05115030	34.56	3
GU01154230	33.23	2	GU05007330	34.40	36	GU05115031	34.56	8
GU01154230	33.24	15	GU05011830	34.40	42	GU05115730	34.56	4
GU01161331	33.23	3	GU05020830	34.43	9	GU05117530	33.20	17
GU01161331	33.24	14	GU05021831	34.41	42	GU05117830	33.20	18
GU01163500	34.47	5	GU05022130	34.41	1	GU05120930	33.27	1
GU01163600	34.47	8	GU05022132	34.41	1	GU05120931	33.27	2
GU01163700	34.47	7	GU05022230	34.41	2	GU05121630	33.27	10
GU01528930	33.10	13	GU05022232	34.41	2	GU05122930	33.27	20
GU01528930	33.10	8	GU05023430	34.41	37	GU05123930	33.27	13
GU01528930	34.40	33	GU05023430	34.42	37	GU05124230	33.27	14
GU01528930	34.49	9	GU05023530	34.41	36	GU05124330	33.27	26
GU01530501	33.07	12	GU05023530	34.42	36	GU05128230	33.27	18
GU01530503	33.07	24	GU05025330	34.43	23	GU05135830	34.56	20
GU01530509	33.07	27	GU05025331	34.41	17	GU05135930	33.25	8
GU01576530	33.04	3	GU05025331	34.42	17	GU05152230	34.47	3
GU01603480	33.20	13	GU05025930	34.41	39	GU05153430	33.24	1
GU01609630	33.20	21	GU05025930	34.42	39	GU05153630	34.45	8
GU01612190	33.29	11	GU05036030	34.41	6	GU05153630	34.46	10
GU01654630	33.30	3	GU05036030	34.42	6	GU05157430	33.24	2
GU01659130	33.30	5	GU05036131	34.41	5	GU05157630	33.24	10
GU01659131	33.30	6	GU05036131	34.42	5	GU05159330	33.24	13
GU01721600	33.36	20	GU05051730	34.44	8	GU05159630	33.24	5
GU01722700	33.36	22	GU05051730	34.44	8	GU05161631	33.23	5
GU01722701	33.36	22	GU05053331	34.44	3	GU05162030	33.23	1
GU01722702	33.36	22	GU05053530	34.44	22	GU05162031	33.23	1
GU01722703	33.36	22	GU05054530	34.44	9	GU05162331	33.23	4
GU01722704	33.36	22	GU05054531	34.44	9	GU05164230	33.23	11
GU01722705	33.36	22	GU05054531	34.44	9	GU05164630	33.23	7
GU01929100	36.58	7	GU05054532	34.44	9	GU05200231	34.49	5
GU02107100	33.13	5	GU05055230	34.44	20	GU05200531	34.49	1
GU03013800	34.55	16	GU05058030	34.44	16	GU05204930	34.49	8
GU03022055	34.41	20	GU05060130	34.43	1	GU05206530	33.10	12
GU03163330	33.36	26	GU05060230	34.43	2	GU05210631	34.51	1
GU03270300	33.18	9	GU05060630	34.43	3	GU05210731	34.53	1
GU03270300	33.19	8	GU05060730	34.43	4	GU05211030	34.53	12
GU03469201	34.55	15	GU05060930	34.43	5	GU05211131	34.53	8
GU03530510	33.07	17	GU05061030	34.43	6	GU05211231	34.53	10
GU03530524	33.07	8	GU05061530	34.43	13	GU05211331	34.51	10
GU03530525	33.07	7	GU05081830	34.53	5	GU05211431	34.51	7
GU03530526	33.07	6	GU05084430	34.48	3	GU05211530	34.53	13
GU03530527	33.07	5	GU05085730	34.48	6	GU05211630	34.53	14
GU03530528	33.07	4	GU05086330	33.22	10	GU05212031	34.51	4
GU03530550	33.07	16	GU05086330	34.48	13	GU05212631	34.51	9
GU03530551	33.07	9	GU05100230	33.13	1	GU05213631	34.52	1
GU03530553	33.07	14	GU05100230BM	33.13	1	GU05214031	34.52	7
GU03604845	33.22	3	GU05100231	33.13	1	GU05214231	34.52	3
GU03609600	33.20	21	GU05100232	33.13	1	GU05214431	34.52	12
GU03617710	33.29	12	GU05100233	33.13	1	GU05214630	34.51	5
GU03617710	33.31	2	GU05100235	33.13	1	GU05214630	34.52	5
GU03717450	33.36	14	GU05100235BM	33.13	1	GU05214731	34.52	9
GU03749845	33.21	9	GU05100236	33.13	1	GU05215031	34.52	10
GU04067000	34.43	19	GU05100237	33.13	1	GU05215631	34.51	2



Code	No. table	Pos.	Code	No. table	Pos.	Code	No. table	Pos.
GU05217630	34.48	12	GU05479630	33.17	2	GU05613330	33.29	6
GU05220531	34.52	11	GU05490230	33.07	1	GU05613335	33.29	15
GU05230531	34.50	18	GU05490630	33.07	2	GU05614130	33.29	8
GU05230831	34.50	21	GU05490730	33.07	3	GU05615230	33.29	2
GU05232431	34.50	19	GU05493130	33.06	1	GU05630530	33.31	1
GU05232631	34.50	20	GU05494030	33.06	2	GU05630531	33.31	1
GU05234130	34.50	11	GU05504530	33.07	13	GU05632730	33.31	3
GU05234230	34.50	12	GU05525430	33.07	18	GU05634430	33.31	5
GU05234431	34.50	1	GU05526630	33.07	20	GU05635730	33.31	6
GU05234631	34.50	2	GU05530530	33.07	15	GU05638130	33.11	9
GU05234731	34.50	10	GU05530531	33.07	19	GU05652230	33.30	2
GU05234931	34.50	13	GU05530532	33.07	22	GU05652330	33.30	1
GU05235531	34.50	3	GU05530533	33.07	23	GU05653030	33.33	1
GU05236231	34.50	7	GU05530534	33.07	28	GU05654630	33.33	3
GU05238131	34.50	15	GU05530535	33.07	10	GU05657530	33.33	9
GU05238231	34.50	8	GU05530536	33.07	25	GU05658431	33.06	13
GU05238331	34.50	14	GU05540230	33.08	1	GU05658830	33.21	6
GU05238431	34.50	9	GU05547030	33.08	6	GU05659030	33.33	5
GU05239330	34.50	17	GU05547130	33.08	5	GU05659130	33.33	4
GU05251130	33.05	1	GU05547930	33.08	8	GU05659230	33.30	4
GU05256930	33.05	13	GU05548030	33.08	3	GU05660130	33.21	1
GU05257830	33.05	12	GU05550230	33.12	1	GU05661130	33.21	4
GU05258230	33.05	10	GU05560330	33.12	3	GU05663530	33.32	7
GU05326330	33.09	6	GU05562030	33.12	7	GU05666030	33.32	9
GU05351230	33.10	2	GU05562430	33.12	14	GU05666930	33.32	1
GU05352430	33.11	2	GU05570230	33.16	2	GU05677030	33.32	18
GU05354230	33.11	1	GU05570230BM	33.16	2	GU05680530	33.60	5
GU05358030	33.10	6	GU05570231	33.16	2	GU05680830	33.60	4
GU05358130	33.10	5	GU05570232	33.16	2	GU05680930	33.60	7
GU05358230	33.10	7	GU05570233	33.16	2	GU05681030	33.60	1
GU05358330	33.10	1	GU05570430	33.16	5	GU05681130	33.60	6
GU05358530	33.10	15	GU05570430BM	33.16	5	GU05681430	33.29	16
GU05358630	33.10	16	GU05570431	33.16	5	GU05681530	33.31	11
GU05358830	33.09	2	GU05570432	33.16	5	GU05683130	33.60	12
GU05421430	33.01	2	GU05570433	33.16	5	GU05683730	33.31	14
GU05421530	33.01	3	GU05570530	33.15	4	GU05701430	34.54	7
GU05429630	33.02	9	GU05570630	33.15	5	GU05702530	34.54	6
GU05430330	33.02	1	GU05573230	33.18	1	GU05704531	33.37	2
GU05432130	33.02	10	GU05573230BM	33.18	1	GU05704630	33.37	3
GU05432131	33.02	28	GU05573231	33.18	1	GU05712431	34.54	1
GU05432930	33.02	6	GU05573232	33.18	1	GU05716530	33.36	8
GU05433430	33.02	7	GU05573233	33.18	1	GU05716730	33.36	9
GU05433630	33.02	11	GU05573330	33.18	2	GU05717030	33.36	19
GU05433631	33.02	29	GU05573330BM	33.18	2	GU05717430	33.36	18
GU05434330	33.15	1	GU05573331	33.18	2	GU05718330	33.36	13
GU05434330BM	33.15	1	GU05573332	33.18	2	GU05718331	33.36	17
GU05434331	33.15	1	GU05573333	33.18	2	GU05729230	33.36	3
GU05434332	33.15	1	GU05573830	33.16	13	GU05729530	33.36	2
GU05434333	33.15	1	GU05573831	33.16	14	GU05729535	33.36	2
GU05436530	33.33	12	GU05576230	33.14	2	GU05730730	34.55	17
GU05436530	33.60	11	GU05576231	33.14	2	GU05733330	34.55	11
GU05438630	33.17	7	GU05576330	33.14	4	GU05735530	33.38	6
GU05438730	33.17	1	GU05576331	33.14	4	GU05736830	33.38	1
GU05443530	33.04	1	GU05576631	33.14	1	GU05738030	33.20	5
GU05446030	33.04	11	GU05576731	33.14	6	GU05740530	33.34	1
GU05446431	33.04	9	GU05578630	33.34	6	GU05740531	33.34	1
GU05446930	33.04	7	GU05578631	33.34	8	GU05740532	33.34	1
GU05447430	33.04	13	GU05600230	33.20	10	GU05740930	33.35	1
GU05460530	33.16	1	GU05600630	33.20	9	GU05743730	33.34	14
GU05460530	33.16	1	GU05600730	33.20	1	GU05745730	33.19	11
GU05460531	33.16	1	GU05600930	33.20	3	GU05747130	33.36	1
GU05464330	33.18	11	GU05603331	33.20	12	GU05747130	33.37	1
GU05464830	33.18	13	GU05606530	33.22	7	GU05747131	33.36	1
GU05466830	33.16	6	GU05606630	33.22	12	GU05747131	33.37	1
GU05466830	33.38	4	GU05610530	33.29	1	GU05747830	33.37	8
GU05467330	33.18	7	GU05611430	33.29	7	GU05747930	33.37	11
GU05476430	33.14	7	GU05613330	33.29	15	GU05751630	33.35	8





Code	No. table	Pos.	Code	No. table	Pos.	Code	No. table	Pos.
GU05751730	33.35	11	GU12021700	34.43	12	GU25656102	34.45	9
GU05760030	33.19	1	GU12022600	34.41	15	GU25656102	34.46	11
GU05760031	33.19	1	GU12022600	34.42	15	GU28576591	33.17	12
GU05764030	33.19	6	GU12031800	34.41	33	GU28742562	33.37	10
GU05764330	33.19	10	GU12031800	34.42	33	GU29722760	33.36	22
GU05764430	33.19	12	GU12067701	34.43	20	GU29729461	33.36	25
GU05764430	33.19	12	GU12082300	34.48	4	GU30003800	34.47	2
GU05764530	33.19	14	GU12087001	34.48	9	GU30027931	33.26	15
GU05766530	33.19	2	GU12154200	34.45	11	GU30058310	34.44	17
GU05767830	33.19	26	GU12154200	34.46	13	GU30059211	34.44	18
GU05780430	33.19	27	GU12211700	34.53	15	GU30061241	34.43	7
GU05780530	33.17	3	GU12911801	36.58	10	GU30082900	34.48	2
GU05781630	33.07	30	GU12912000	36.58	8	GU30103730	33.13	10
GU05782530	33.19	18	GU12913600	36.58	17	GU30103730	33.57	12
GU05782530	33.38	3	GU13036801	34.41	3	GU30109330	33.27	9
GU05900030	33.39	7	GU13037200	34.41	8	GU30146400	34.45	1
GU05900031	33.39	7	GU13037200	34.42	42	GU30147700	34.45	4
GU05900130	33.39	11	GU13084100	34.48	1	GU30147700	34.46	7
GU05901930	36.58	4	GU13148300	34.45	2	GU30150900	34.47	9
GU05902530	36.58	13	GU13148300	34.46	4	GU30153000	34.47	1
GU05902730	36.59	8	GU14011900	34.40	10	GU30158900	34.47	12
GU05902731	36.59	5	GU14011901	34.40	10	GU30217900	33.01	5
GU05902732	36.59	3	GU14018400	33.09	8	GU30217900	33.02	27
GU05902733	36.59	4	GU14018400	34.41	24	GU30530510	34.55	3
GU05902734	36.59	7	GU14018400	34.42	24	GU30530511	34.55	4
GU05902735	36.59	6	GU14030201	34.41	25	GU30530512	34.55	9
GU05902736	36.59	1	GU14030201	34.42	25	GU30609600	33.36	28
GU05909930	33.39	6	GU14030401	34.41	26	GU30609600	33.37	26
GU05911730	36.58	2	GU14030401	34.42	26	GU30611460	33.31	7
GU05912530	36.58	3	GU14034865	34.41	22	GU30714201	34.54	9
GU05917530	33.39	4	GU14036860	34.41	4	GU30717061	33.36	16
GU05923330	33.39	13	GU14037300	34.41	9	GU30729330	33.26	14
GU05923331	33.39	10	GU14037300	34.42	43	GU30730711	34.55	1
GU05923332	33.39	10	GU14072001	34.44	12	GU30906510	36.58	19
GU05923333	33.39	10	GU14085900	34.48	7	GU30912810	36.58	18
GU05923430	33.39	1	GU14086000	34.48	8	GU30944300	33.39	5
GU05923431	33.39	1	GU14217901	34.43	11	GU30970200	33.39	17
GU05926030	33.39	8	GU14234600	34.44	4	GU31003766	33.10	9
GU05927230	36.58	6	GU14433400	34.44	10	GU31003766	34.40	32
GU05928030	36.58	5	GU14609650	33.02	24	GU31003766	34.49	13
GU05943930	33.39	14	GU14609650	33.36	28	GU31159050	34.47	14
GU05944030	33.39	15	GU14609650	33.37	26	GU31576183	34.56	18
GU05944930	33.39	12	GU14615901	33.27	6	GU31768780	34.45	12
GU05945030	33.39	9	GU14615901	34.40	5	GU31768780	34.46	14
GU05948630	36.58	1	GU14615901	34.43	21	GU32023910	34.42	44
GU05991030	34.40	45	GU14616150	33.29	13	GU32115610	34.56	5
GU05991530	34.49	17	GU14616150	33.31	9	GU32116810	34.41	18
GU05997630	33.39	16	GU14717600	33.36	15	GU32116810	34.42	18
GU05999030	34.40	43	GU14912603	36.58	20	GU32441210	33.03	7
GU05999530	34.40	44	GU14927100	36.58	9	GU32442310	33.03	11
GU06917300	33.39	3	GU14927300	36.58	12	GU32442710	33.03	14
GU06917400	33.39	2	GU17034050	34.41	28	GU32443210	33.03	4
GU10032700	34.41	32	GU17034050	34.42	28	GU32443211	33.03	10
GU10032700	34.42	32	GU17045860	34.44	2	GU32727010	33.27	16
GU10034100	34.41	29	GU17661052	33.32	8	GU32769460	33.20	22
GU10034100	34.42	29	GU17947560	36.58	15	GU32769860	33.20	23
GU10907200	36.58	11	GU18144350	34.47	13	GU32917310	33.39	3
GU12003900	34.40	2	GU18144350	34.49	7	GU32917312	33.39	3
GU12006400	34.45	13	GU19002020	34.49	14	GU32917410	33.39	2
GU12006400	34.46	16	GU19149800	34.46	9	GU32917412	33.39	2
GU12011400	34.40	28	GU19207220	34.49	10	GU32944210	33.18	17
GU12011401	34.40	28	GU19927100	36.58	16	GU37037405	34.41	11
GU12011402	34.40	28	GU19929600	36.58	14	GU37037405	34.42	11
GU12011403	34.40	28	GU20164010	34.47	6	GU37037605	34.41	12
GU12011700	34.40	29	GU25656100	33.21	8	GU37037605	34.42	12
GU12012200	34.40	11	GU25656100	33.33	6	GU37045006	34.44	1
GU12018900	34.40	6	GU25656100	33.60	3	GU37065405	34.43	18



Code	No. table	Pos.	Code	No. table	Pos.	Code	No. table	Pos.
GU37067705	34.43	10	GU92252029	34.51	3	GU95120065	34.44	7
GU400122400100	33.09	1	GU92252029	34.52	4	GU95120085	34.45	6
GU49609601	33.19	25	GU92252210	34.45	3	GU95129131	33.37	24
GU49609601	33.29	20	GU92602308	34.45	5	GU95129180	34.41	41
GU49609601	33.31	15	GU92602510	34.46	8	GU95129180	34.42	40
GU61270300	34.40	13	GU92602525	34.44	14	GU95129340	34.53	11
GU90118152	34.41	31	GU92603010	34.41	23	GU95510620	33.10	4
GU90118152	34.42	31	GU92603010	34.42	23	GU95512081	34.40	9
GU90271014	34.50	16	GU92605408	34.54	12	GU95960609	33.24	6
GU90271016	33.07	21	GU92606206	33.32	15	GU95963062	33.57	15
GU90271022	34.50	4	GU92606516	34.54	8	GU95980319	34.49	6
GU90271030	34.51	8	GU92609408	33.37	25	GU95990023	33.57	16
GU90271030	34.52	8	GU92630104	33.36	12	GU95990037	34.45	10
GU90271125	34.53	9	GU92630206	33.19	24	GU95990037	34.46	12
GU90271230	34.51	6	GU92630206	33.34	13	GU96508040	34.41	19
GU90271230	34.52	6	GU92630206	33.35	13	GU96508040	34.42	19
GU90272028	34.53	17	GU92650138	33.27	25	GU96508066	34.40	3
GU90273026	33.11	8	GU92660012	34.54	5	GU96508075	34.40	7
GU90274002	33.19	17	GU92660021	34.40	8	GU96510036	33.01	7
GU90274008	33.27	15	GU92750180	34.44	11	GU97202355	34.49	2
GU90351039	34.43	8	GU92787008	33.27	5	GU97202665	33.31	4
GU90353014	34.50	22	GU92787205	33.14	10	GU97260415	33.01	14
GU90353016	34.41	7	GU9287205	33.23	10	GU98082475	34.55	2
GU90353016	34.42	7	GU93180220	34.49	3	GU98084316	34.41	34
GU90401424	34.49	12	GU93304360	33.36	28	GU98084316	34.42	34
GU90401532	34.44	19	GU93304360	33.37	26	GU98084320	34.44	6
GU90403549	34.53	4	GU93304390	33.08	4	GU98084425	34.40	12
GU90404558	33.11	3	GU93305057	34.56	13	GU98110007	33.27	8
GU90405367	34.40	41	GU93305058	34.56	16	GU98210616	33.17	21
GU90408511	33.10	10	GU93305061	34.56	15	GU98230850	34.54	11
GU90412237	34.40	19	GU93306018	33.24	12	GU98231235	33.02	20
GU90412541	34.52	14	GU93450105	33.34	4	GU98250510	33.29	17
GU90706009	33.57	14	GU93450105	33.35	14	GU98250612	34.44	23
GU90706094	34.41	43	GU93450126	33.34	12	GU98257408	34.40	37
GU90706141	33.36	21	GU93450126	33.35	10	GU98350210	33.04	10
GU90706151	34.47	15	GU93450265	33.34	3	GU98350210	33.32	29
GU90706170	34.48	11	GU93601022	34.53	7	GU98350310	34.56	11
GU90706178	34.40	35	GU94321077	34.47	10	GU98350312	34.55	13
GU90706203	34.41	16	GU94322215	34.41	30	GU98350330	34.46	5
GU90706203	34.42	16	GU94322215	34.42	30	GU98370412	33.21	10
GU90706203	34.53	2	GU95005304	33.14	11	GU98370614	33.17	13
GU90706347	34.40	39	GU95005304	33.23	9	GU98370616	34.49	4
GU90706461	34.56	7	GU95005306	33.23	13	GU98370625	33.16	9
GU90718120	33.10	3	GU95005308	33.27	7	GU98612216	33.02	33
GU90718370	33.27	3	GU95005312	33.27	27	GU98620445	34.54	3
GU91111511	34.41	27	GU95005325	33.29	10	GU98620560	34.54	4
GU91111511	34.42	27	GU95008204	33.36	11	GU98680335	34.40	23
GU91112128	34.43	15	GU95008205	33.36	24	GU98680340	33.07	29
GU91120606	34.40	48	GU95008206	34.47	11	GU98680340	33.23	12
GU91120607	34.40	38	GU95008206	34.56	10	GU98680340	34.40	47
GU91120622	33.23	14	GU95008208	33.13	4	GU98680360	33.20	8
GU91120822	33.34	17	GU95008208	34.40	4	GU98680360	34.40	31
GU91120924	33.18	10	GU95008208	34.55	10	GU98680440	33.04	5
GU91180823	34.54	2	GU95008210	33.36	27	GU98680445	33.27	21
GU91181215	33.01	6	GU95008213	33.05	8	GU98680450	33.10	11
GU91551010	33.23	8	GU95008308	33.15	11	GU98682125	33.36	10
GU91600365	34.44	15	GU95008310	33.32	26	GU98682212	33.36	23
GU92201025	34.50	6	GU95008313	33.01	10	GU98682215	33.18	5
GU92201117	34.50	5	GU95008313	33.02	25	GU98682316	33.05	4
GU92201226	34.52	13	GU95020105	33.02	34	GU98682316	33.32	21
GU92201226	34.53	3	GU95021104	33.21	11	GU98682316	34.40	22
GU92201822	34.51	11	GU95028022	34.53	6	GU98682316	34.47	16
GU92201822	34.52	2	GU95100116	34.56	12	GU98682320	33.05	6
GU92204230	33.11	5	GU95100244	33.34	16	GU98682320	33.05	9
GU92208518	33.11	4	GU95100837	34.44	13	GU98682320	34.40	20
GU92232028	34.53	16	GU95120065	34.41	35	GU98682325	33.08	9
GU92249224	33.08	7	GU95120065	34.42	35	GU98682325	34.56	9



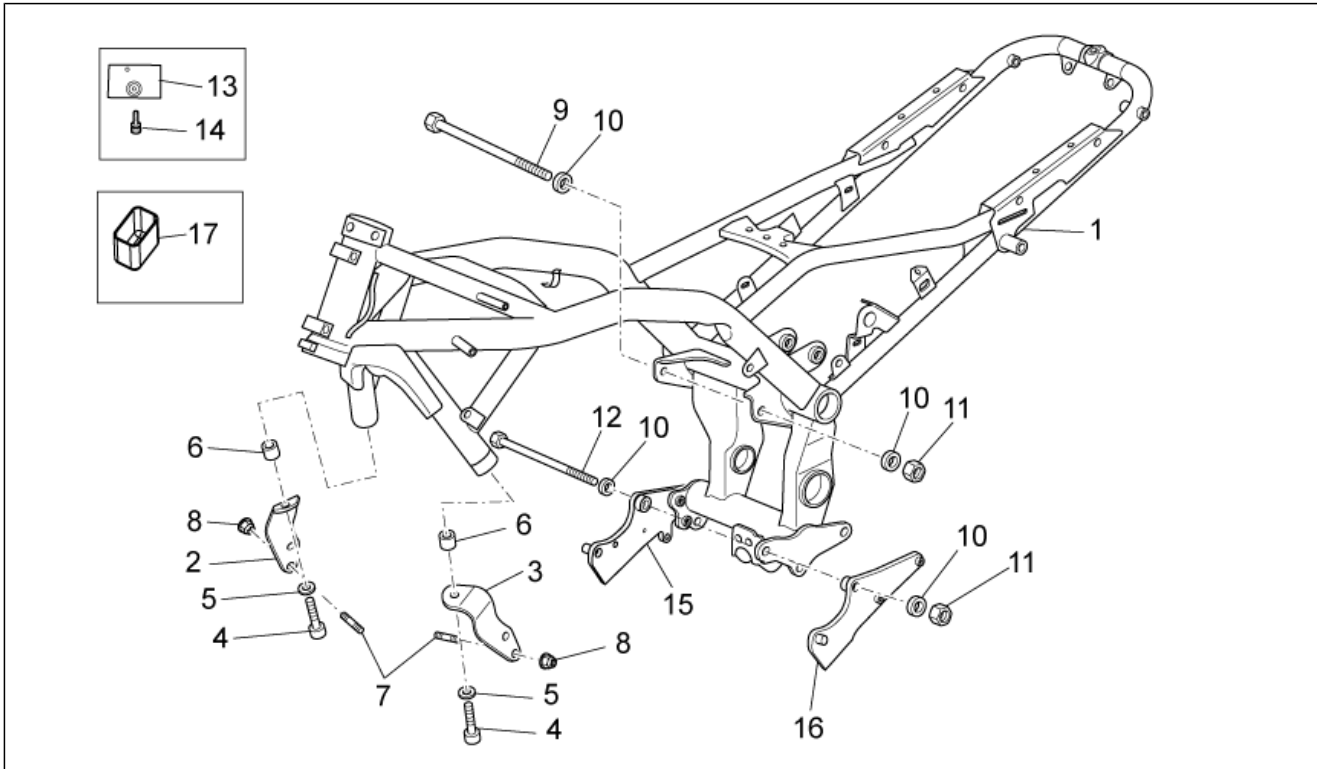
BREVA  
GU077 - Brevia V IE 1100 2005-2007

Chassis prefix: ZGULPO, ZGULPA, ZGULPC  
Engine prefix:

---

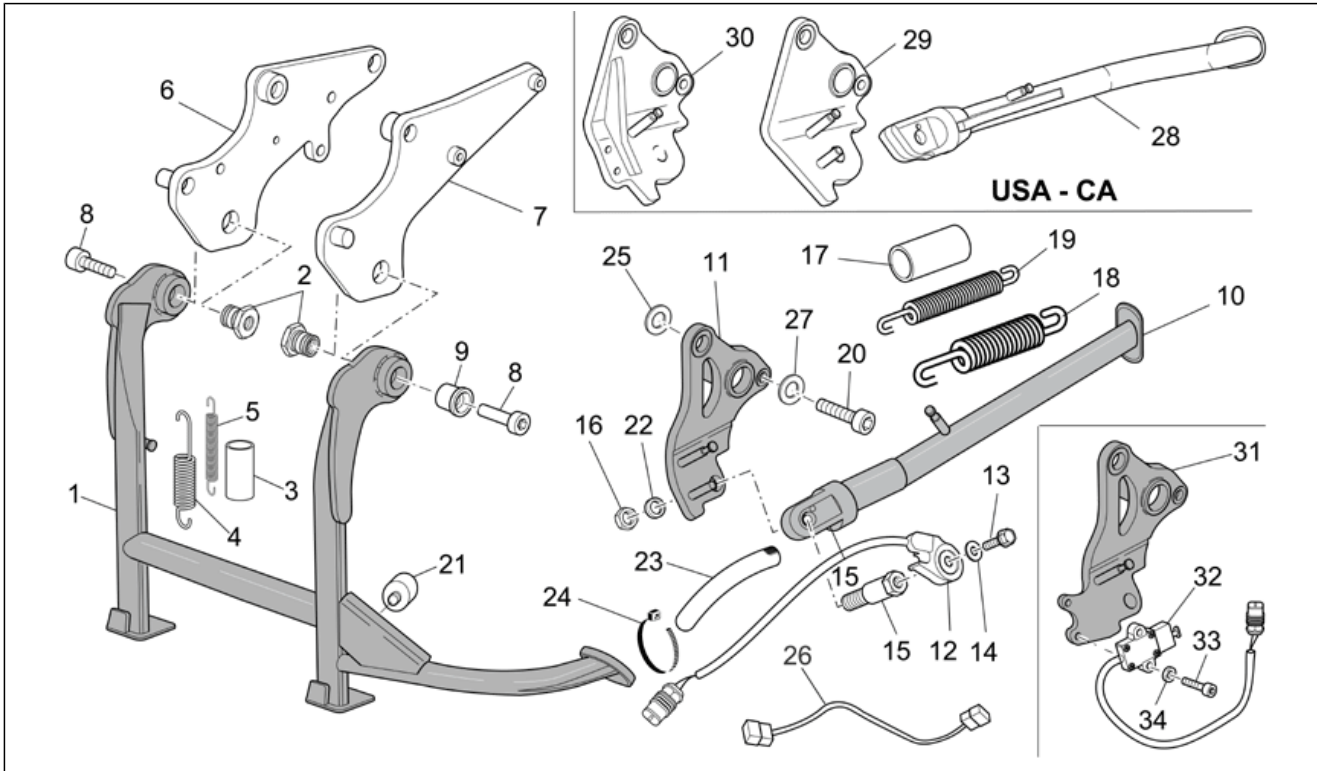
Code	No. table	Pos.
GU98682330	34.40	17
GU98682414	33.13	3
GU98682416	33.19	7
GU98682425	33.06	12
GU98682425	33.18	12
GU98682430	33.06	11
GU98682430	33.19	19
GU98682430	34.45	7
GU98682435	33.34	7
GU98682530	33.02	8
GU98682535	33.07	11
GU98682650	33.01	4
GU98692216	33.13	9
GU98692313	33.19	9
GU98692318	33.34	5
GU98692318	33.35	12
GU98692425	33.04	4
GU98692425	33.20	2
GU98692425	33.20	20
GU98692430	33.04	2
GU98692430	33.20	4
GU99210406	33.10	14

<b>Group</b>	FRAME
<b>Code</b>	33.01
<b>Description</b>	Frame
<b>Service</b>	1



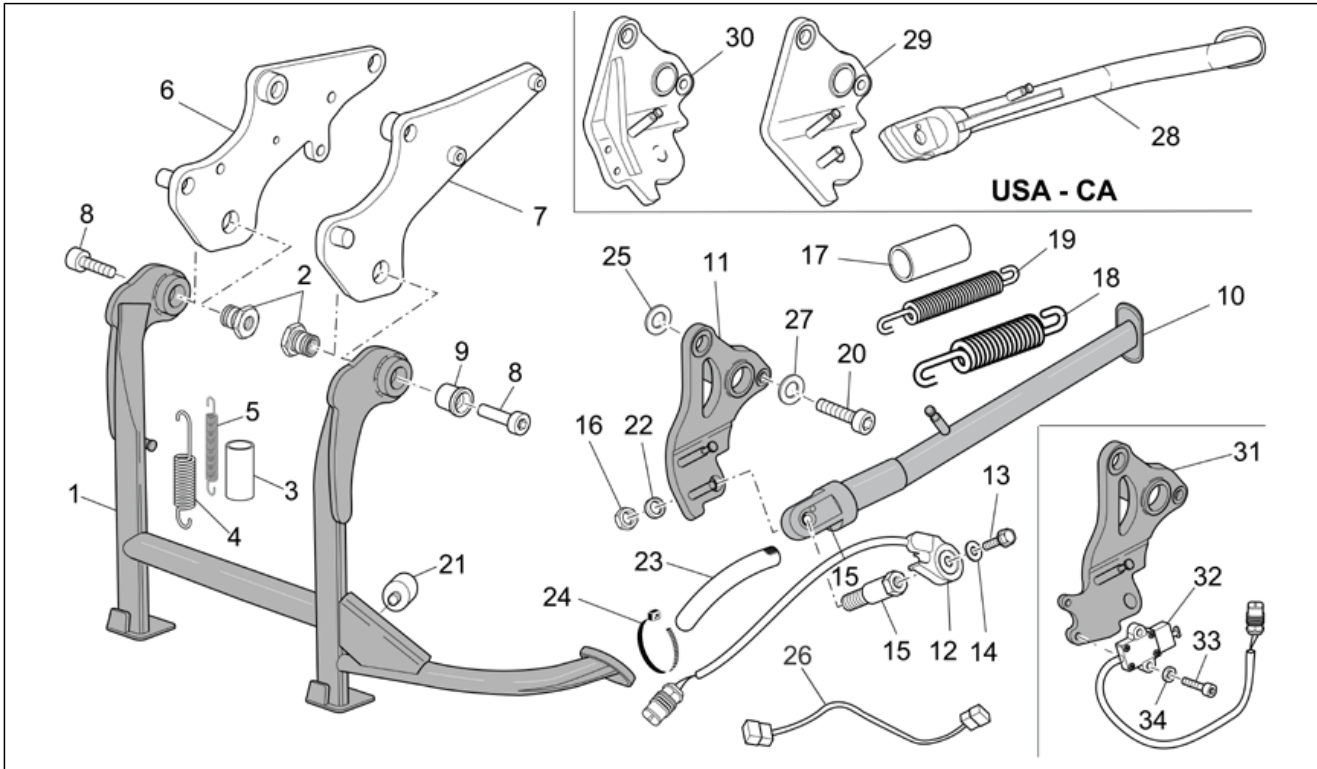
Pos.	Code	Description	Qty	Variants
1	977700	Frame	1	
2	GU05421430	RH plate	1	
3	GU05421530	LH plate	1	
4	GU98682650	Hex socket screw M12x50	2	
5	GU30217900	Washer 13x18x1,7	2	
6	GU91181215	Spacer 12x35x14	2	
7	GU96510036	Stud bolt M10x35	4	
8	AP8152301	Self-locking nut	4	
9	AP8221307	Pin M12	1	
10	GU95008313	Washer 13x24x2,5	4	
11	AP8150432	Low self-locking nut M12*	2	
12	AP8221227	Pin M12x270	1	
13	977788	Support plate	1	Country:Canadian[CA]
14	GU97260415	Special screw M8x15	1	Country:Canadian[CA]
15	977806	RH plate	1	Year:2007[7]
16	977805	LH plate	1	Year:2007[7]
17	978093	Cap	2	Year:2007[7]

<b>Group</b>	FRAME
<b>Code</b>	33.02
<b>Description</b>	Stands
<b>Service</b>	1



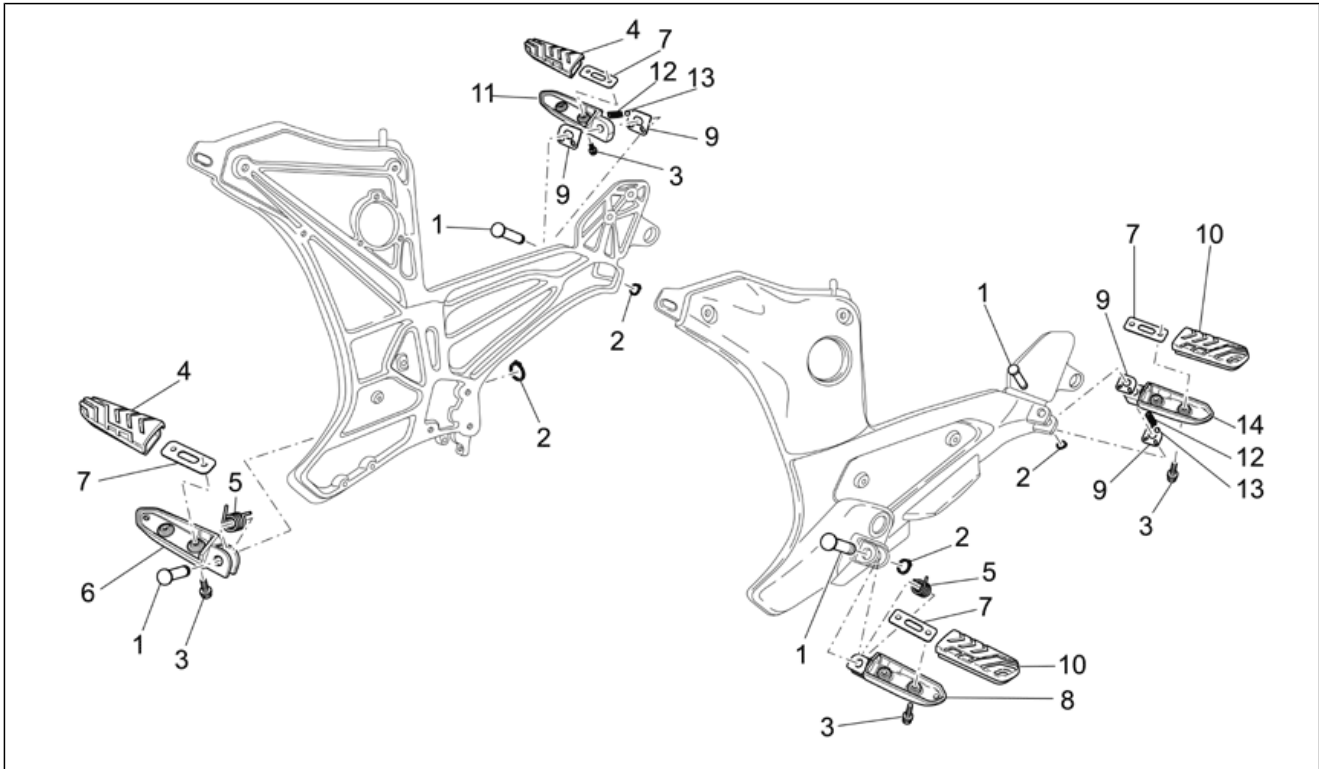
Pos.	Code	Description	Qty	Variants
1	GU05430330	Central stand	1	Year:2005[5], 2006[6]
2	AP8121467	Maintenance	2	Year:2005[5], 2006[6]
3	AP8178918	Stand spring protection	1	Year:2005[5], 2006[6]
4	AP8221317	Lateral stand spring	1	Year:2005[5], 2006[6]
5	AP8221318	Internal lateral stand spring	1	Year:2005[5], 2006[6]
6	GU05432930	RH plate	1	Year:2005[5], 2006[6]
7	GU05433430	LH plate	1	Year:2005[5], 2006[6]
8	GU98682530	Hex socket screw M10x30	2	Year:2005[5], 2006[6]
9	GU05429630	Bush	2	Year:2005[5], 2006[6]
10	977079	Lateral stand	1	Country:Australia[AUS], Other country Europe[EU], Japan[J], Great Britain[UK] Technical Specifications:With linear switch, pos. 32[V2]
10	GU05432130	Lateral stand	1	Country:Australia[AUS], Other country Europe[EU], Japan[J], Great Britain[UK] Technical Specifications:With rotary switch, pos. 12[V1]
11	GU05433630	Stand plate	1	Country:Australia[AUS], Other country Europe[EU], Japan[J], Great Britain[UK] Technical Specifications:With rotary switch, pos. 12[V1]
12	AP8127319	Rotary switch	1	
13	AP8152279	Screw w/ flange M6x20	1	
14	AP8150015	Washer 6,6x18x1,6*	1	
15	AP8121994	Central stand fixing screw	1	
16	AP8152001	Low nut M10x1,25	1	
17	AP8102524	Stand spring protection	1	
18	AP8221204	Lateral stand spring	1	
19	AP8221211	Internal lateral stand spring	1	
20	GU98231235	Hex socket screw M12x35	2	
21	AP8144030	Stand end stop	1	
22	AP8150292	Curved spring washer *	1	

<b>Group</b>	FRAME
<b>Code</b>	33.02
<b>Description</b>	Stands
<b>Service</b>	1



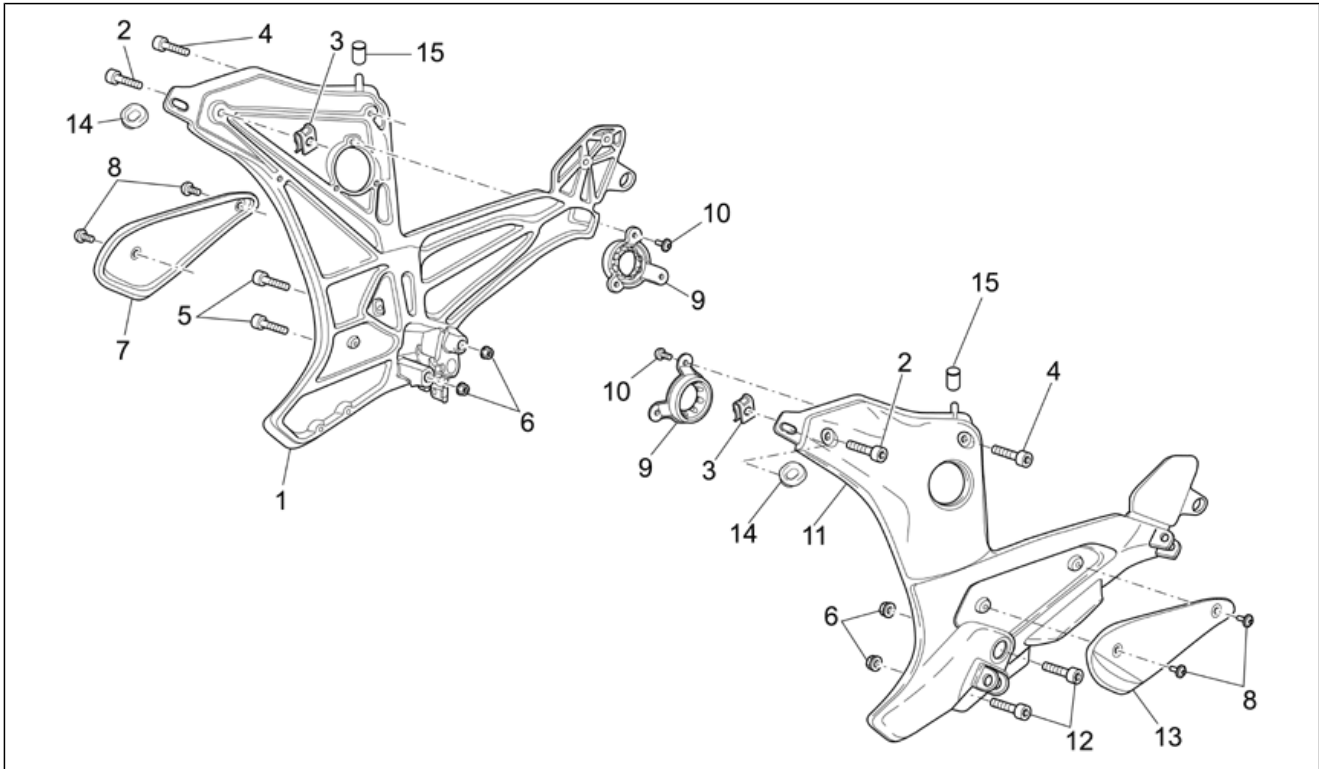
Pos.	Code	Description	Qty	Variants
23	GU00823923140	Thermal sheath	1	
24	GU14609650	Hose clamp 3,6x20,6	2	
25	GU95008313	Washer 13x24x2,5	2	
26	977292	Adapter cable	1	<b>Year:</b> 2005[5], 2006[6] <b>Technical Specifications:</b> Version without ABS[std], With linear switch, pos. 32[V2]
26	977571	Adapter cable	1	<b>Year:</b> 2005[5], 2006[6] <b>Technical Specifications:</b> ABS version[abs], With rotary switch, pos. 12[V1]
27	GU30217900	Washer 13x18x1,7	2	
28	977093	Lateral stand	1	<b>Country:</b> Canadian[CA], United States of America[USA] <b>Technical Specifications:</b> With linear switch, pos. 32[V2]
28	GU05432131	Lateral stand	1	<b>Country:</b> Canadian[CA], United States of America[USA] <b>Technical Specifications:</b> With rotary switch, pos. 12[V1]
29	GU05433631	Stand plate	1	<b>Country:</b> Canadian[CA], United States of America[USA] <b>Technical Specifications:</b> With rotary switch, pos. 12[V1]
30	977408	Stand plate	1	<b>Country:</b> Canadian[CA], United States of America[USA] <b>Technical Specifications:</b> With linear switch, pos. 32[V2]
31	977080	Stand plate	1	<b>Country:</b> Australia[AUS], Other country Europe[EU], Japan[J], Great Britain[UK] <b>Technical Specifications:</b> With linear switch, pos. 32[V2]
32	639542	Button for the side stand	1	
33	GU98612216	Hex socket screw	2	
34	GU95020105	Washer 5,3x8,9x2,4	2	

<b>Group</b>	FRAME
<b>Code</b>	33.03
<b>Description</b>	Foot rests I
<b>Service</b>	1



Pos.	Code	Description	Qty	Variants
1	AP8121567	Pin	4	
2	AP8152409	Stop ring	4	
3	AP8152277	Screw w/ flange M6x12	8	
4	GU32443210	Support rubber part	2	
5	AP8221277	Footrest return spring	2	
6	AP8145034	RH Foot rests	1	
7	GU32441210	Plate	4	
8	AP8145035	LH Foot rests	1	
9	AP8134451	Footrest plate	4	
10	GU32443211	Support rubber part	2	
11	GU32442310	Rear footrest, RH	1	
12	AP8121133	Coil compress. spring	2	
13	AP8101861	Ball D6,35	2	
14	GU32442710	Rear footrest, LH	1	

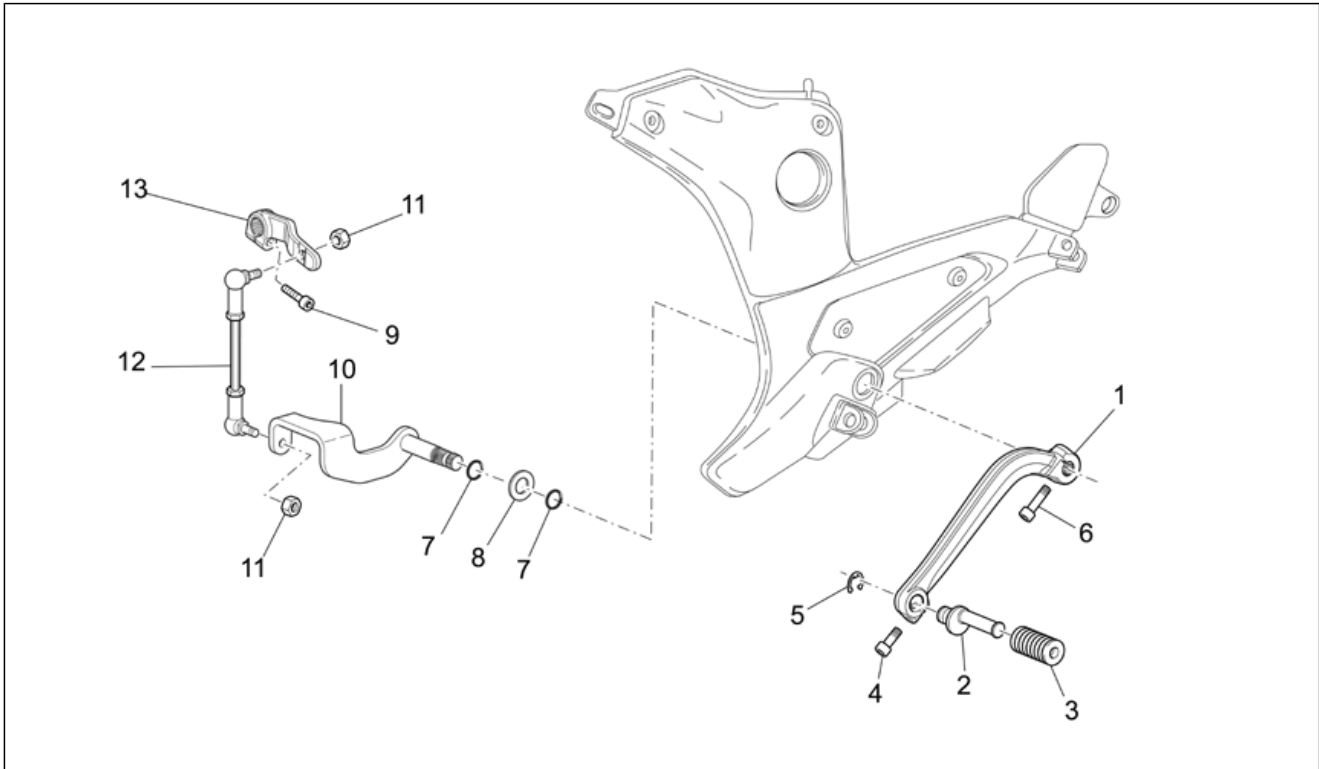
<b>Group</b>	FRAME
<b>Code</b>	33.04
<b>Description</b>	Foot rests II
<b>Service</b>	1



Pos.	Code	Description	Qty	Variants
1	GU05443530	RH plate	1	
2	GU98692430	Hex socket screw M8x30	2	
3	GU01576530	Nut with clip M8x1,25	2	
4	GU98692425	Hex socket screw M8x25	2	
5	GU98680440	Hex socket screw M8x40	2	
6	AP8152300	Self-locking nut M8	4	
7	GU05446930	RH protection	1	
8	AP8152339	Screw w/ flange M5x9	4	
9	GU05446431	Ring	2	
10	GU98350210	Hex socket screw	6	
11	GU05446030	LH plate	1	
12	AP8150046	Hex socket screw M8x55	2	
13	GU05447430	LH protection	1	
14	AP8220162	Rubber spacer	4	
15	AP8220526	Rubber spacer	2	

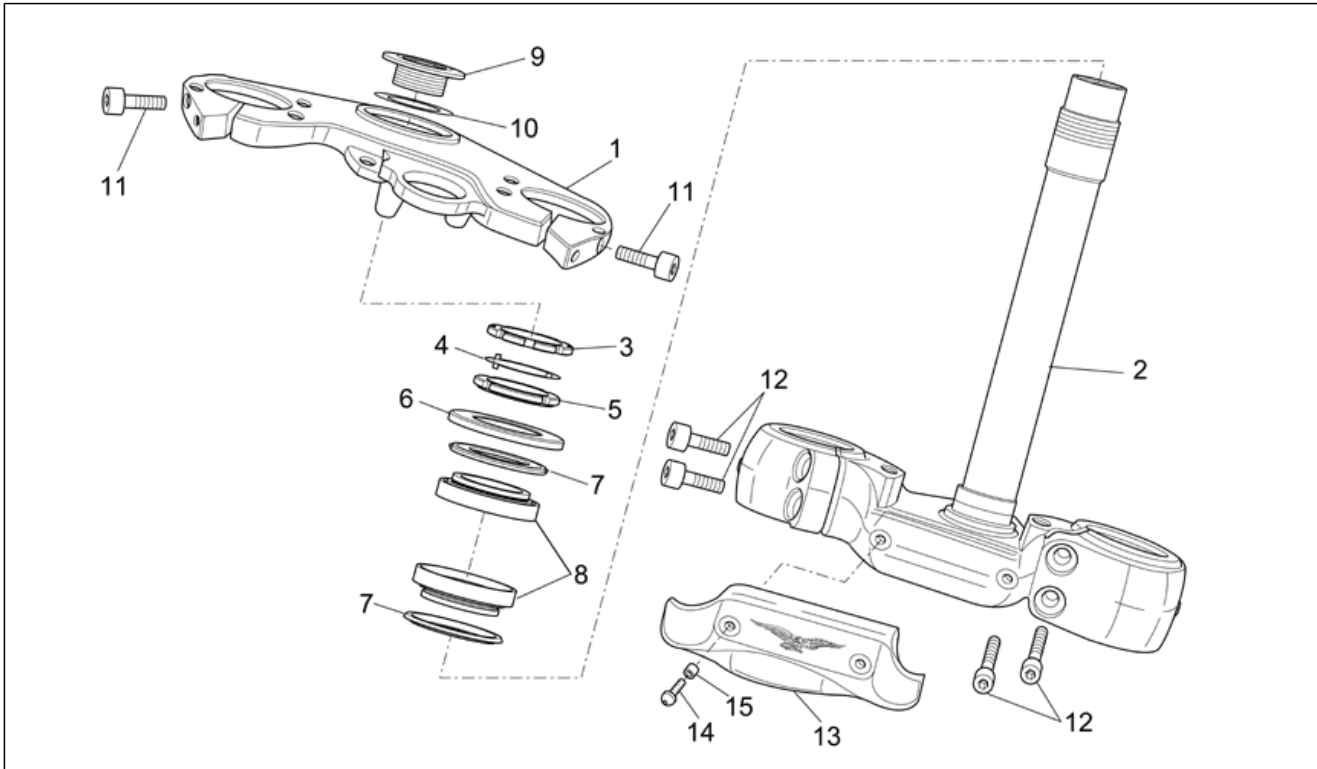


<b>Group</b>	FRAME
<b>Code</b>	33.05
<b>Description</b>	Gear lever
<b>Service</b>	1



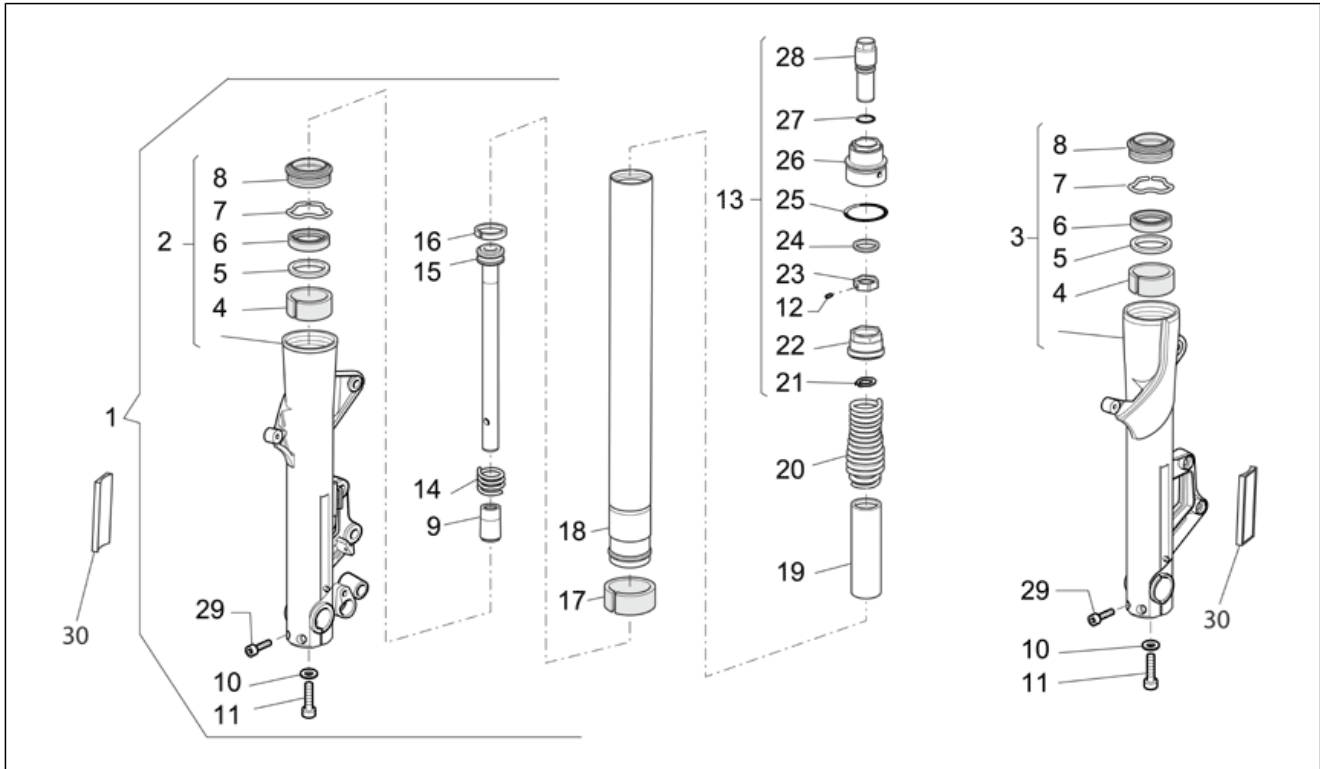
Pos.	Code	Description	Qty	Variants
1	GU05251130	Gear lever	1	
2	AP8121221	Brake lever pin	1	
3	AP8120912	Lever rubber	1	
4	GU98682316	Hex socket screw M6x16	1	
5	AP8150462	Circlip d9	1	
6	GU98682320	Hex socket screw M6x20	1	
7	AP8144007	O-ring 11,11x1,78	2	
8	GU95008213	Washer 12,2X20X2	1	
9	GU98682320	Hex socket screw M6x20	1	
10	GU05258230	Lever	1	
12	GU05257830	Change gear tie rod compl.	1	
13	GU05256930	Lever	1	

<b>Group</b>	FRAME
<b>Code</b>	33.06
<b>Description</b>	Steering
<b>Service</b>	1



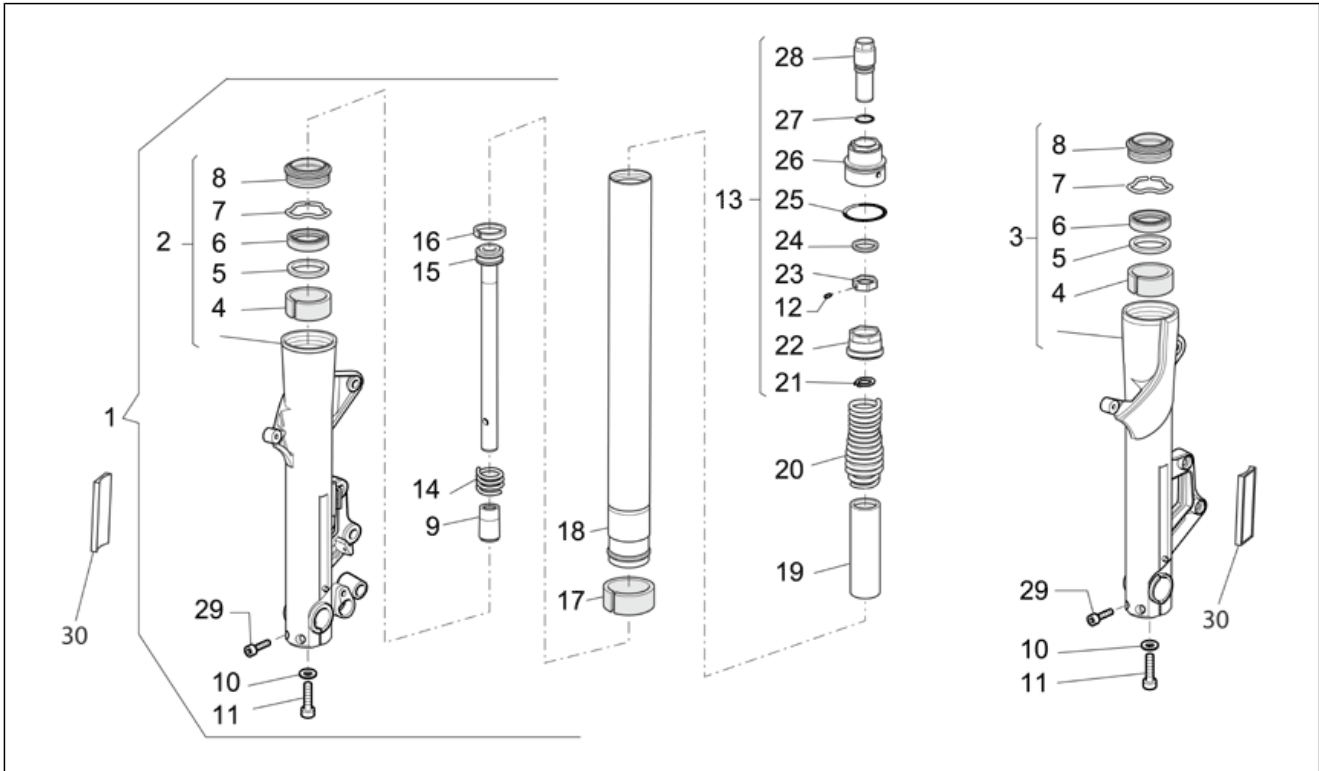
Pos.	Code	Description	Qty	Variants
1	GU05493130	Fork upper plate	1	
2	GU05494030	Stem base	1	
3	AP8123643	Return ring nut	1	
4	AP8121207	Steering security plate	1	
5	AP8123642	Ring nut	1	
6	AP8123644	Dust cover ring	1	
7	AP8123641	Dust cover ring	2	
8	AP8110077	Axial ball bearing	2	
9	AP8121205	Upper plate fixing bush	1	
10	AP8152384	Stem plug washer	1	
11	GU98682430	Hex socket screw M8x30	2	
12	GU98682425	Hex socket screw M8x25	4	
13	GU05658431	Brake hose fixing plate	1	
14	AP8152298	Screw w/ flange M5x16	2	
15	AP8221036	Bushing 5,3x8x7,1	2	

<b>Group</b>	FRAME
<b>Code</b>	33.07
<b>Description</b>	Front fork
<b>Service</b>	1



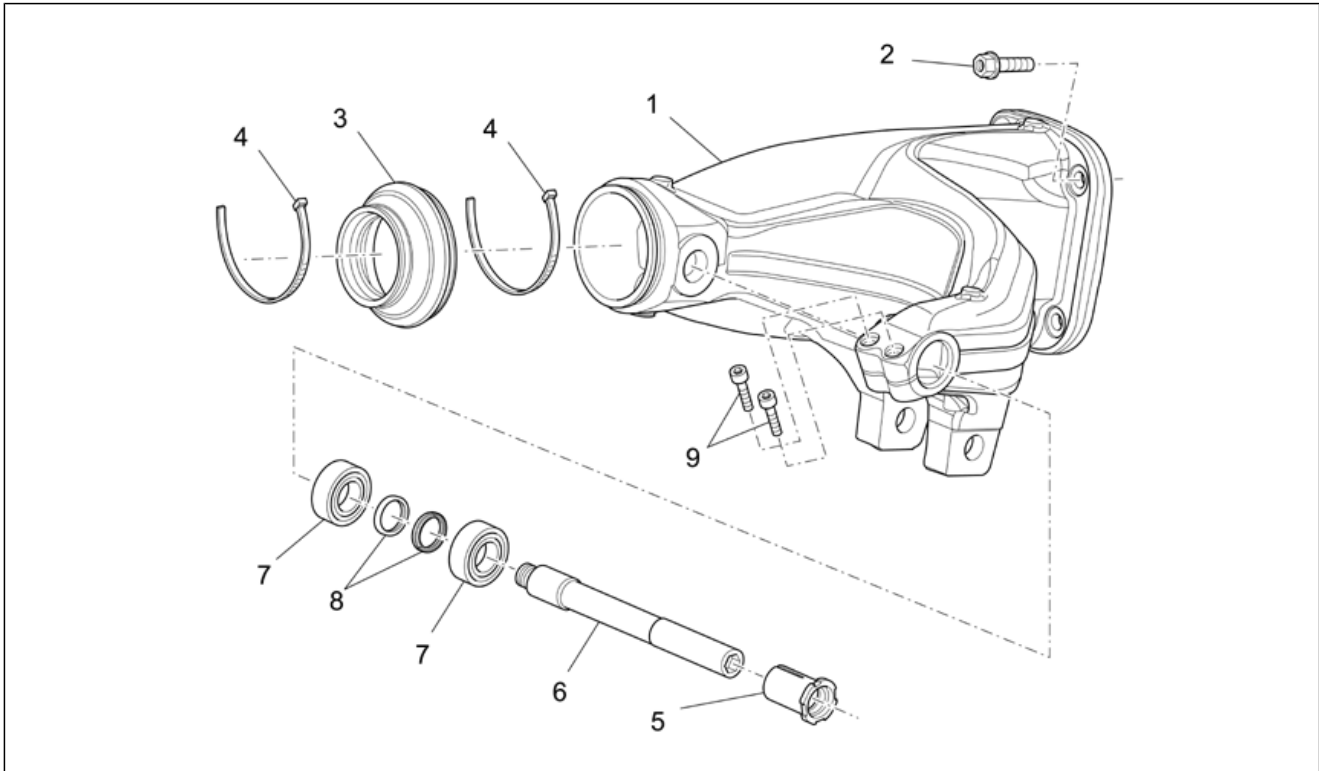
Pos.	Code	Description	Qty	Variants
1	GU05490230	Front fork "Marzocchi"	1	
2	GU05490630	RH sleeve	1	
3	GU05490730	LH sleeve	1	
4	GU03530528	Upper bush	2	
5	GU03530527	Cup	2	
6	GU03530526	Gasket ring	2	
7	GU03530525	Stop ring	2	
8	GU03530524	Dust cover	2	
9	GU03530551	Pad	2	
10	GU05530535	Washer 14x10,5x1,5	2	
11	GU98682535	Hex socket screw M10x35	2	
12	GU01530501	Dowel	2	
13	GU05504530	Plug cpl.	2	
14	GU03530553	Return spring	2	
15	GU05530530	Plunger, complete	2	
16	GU03530550	Ring	2	
17	GU03530510	Lower bush	2	
18	GU05525430	Sleeve	2	
19	GU05530531	Preload tube	2	
20	GU05526630	Spring	2	
21	GU90271016	Stop ring	2	
22	GU05530532	Bush	2	
23	GU05530533	Nut	2	
24	GU01530503	Fifth wheel	2	
25	GU05530536	O-ring	2	
26	0000000	Tyre	2	
27	GU01530509	O-ring	2	
28	GU05530534	Adjusting pin	2	

<b>Group</b>	FRAME
<b>Code</b>	33.07
<b>Description</b>	Front fork
<b>Service</b>	1



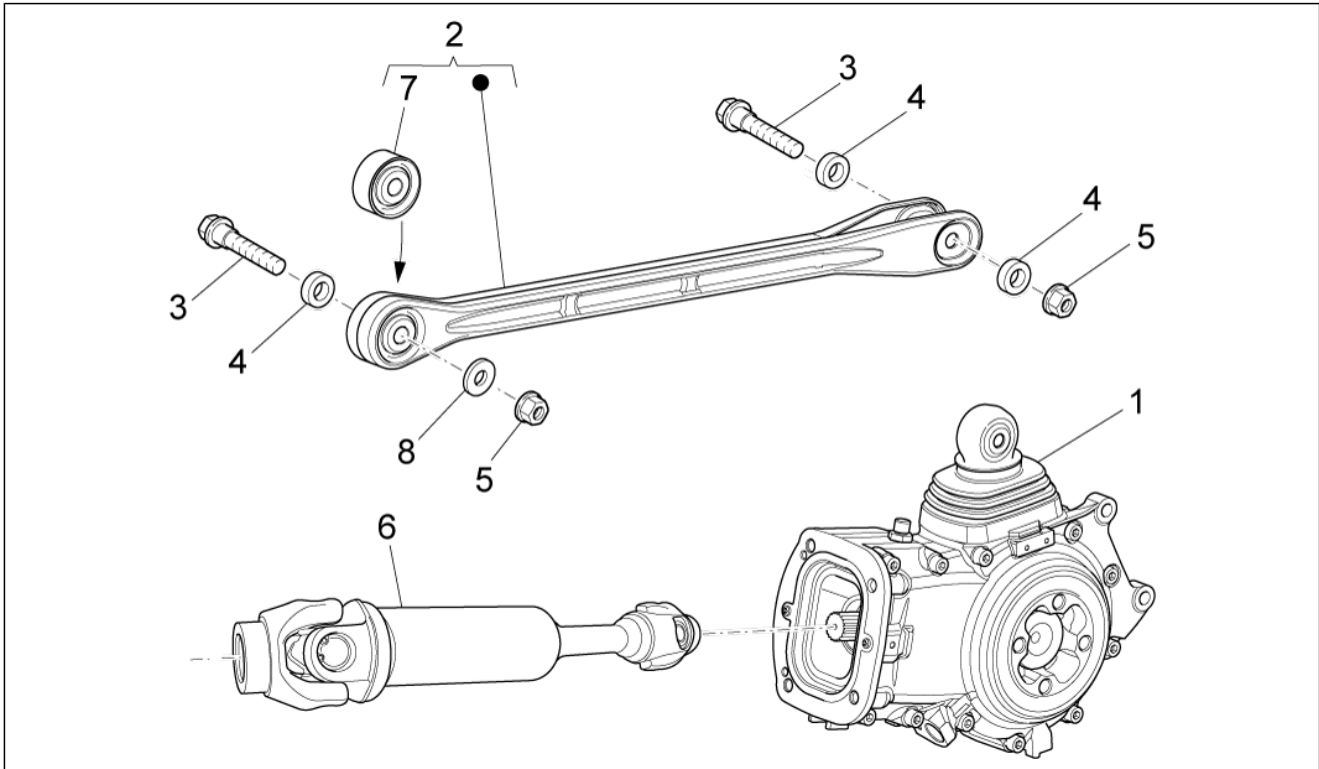
Pos.	Code	Description	Qty	Variants
29	GU98680340	Hex socket screw M6x40	4	
30	GU05781630	Reflector, amber	2	Country:Canadian[CA], United States of America[USA]

<b>Group</b>	FRAME
<b>Code</b>	33.08
<b>Description</b>	Swing arm
<b>Service</b>	1



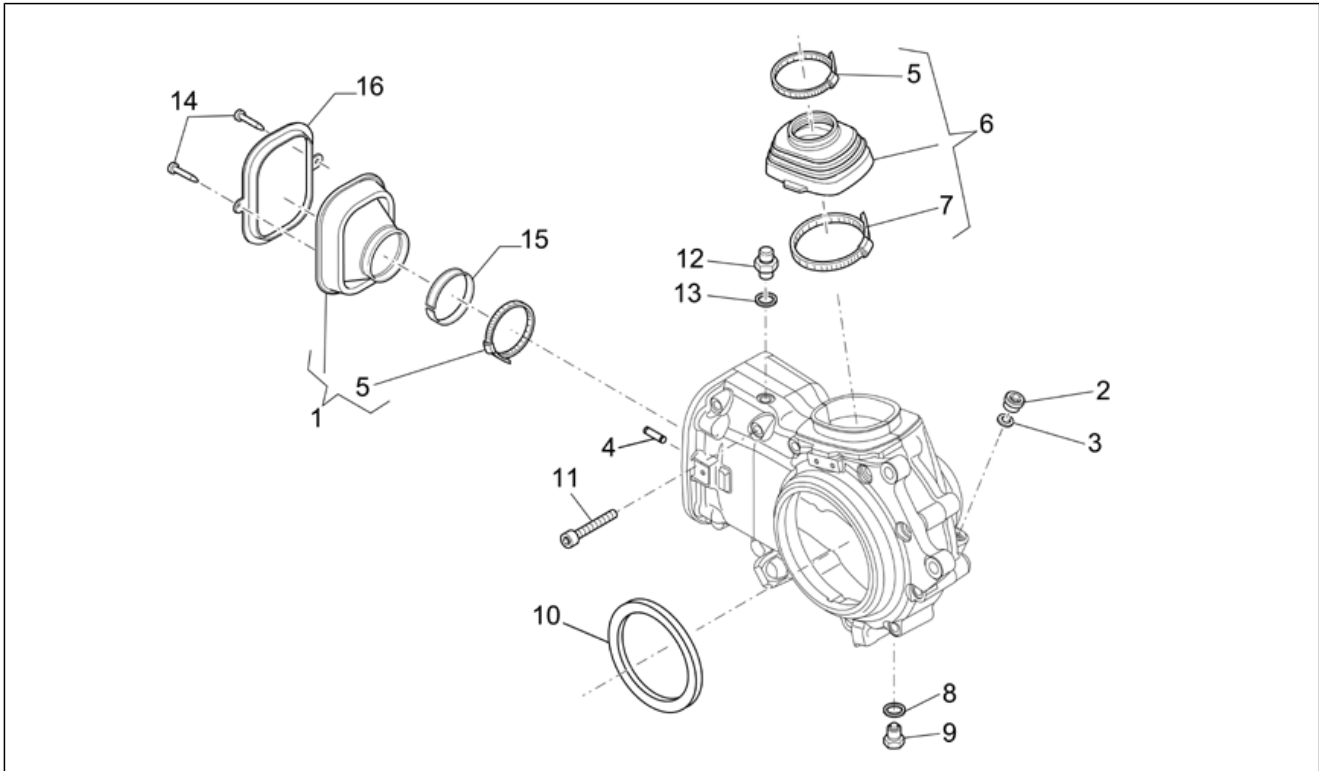
Pos.	Code	Description	Qty	Variants
1	GU05540230	Swingarm	1	
2	AP8152318	Screw w/ flange M10x35	4	
3	GU05548030	Rubber bellows	1	
4	GU93304390	Hose clamp 3,6x375	2	
5	GU05547130	Bush	1	
6	GU05547030	Pin	1	
7	GU92249224	Roller bearing 25x47x17	2	
8	GU05547930	Gasket ring	2	
9	GU98682325	Hex socket screw M6x25	2	

<b>Group</b>	FRAME
<b>Code</b>	33.09
<b>Description</b>	Transmission complete
<b>Service</b>	1



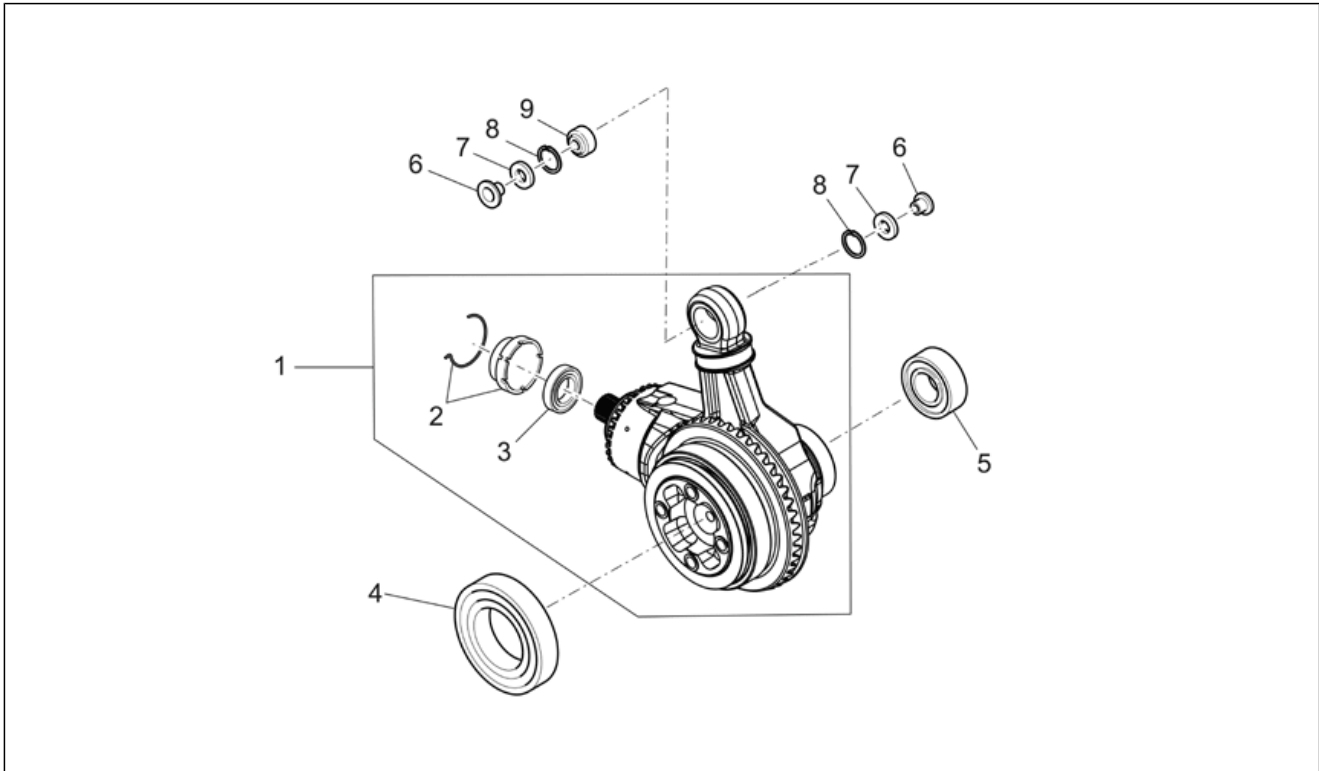
Pos.	Code	Description	Qty	Variants
1	GU400122400100	Transmission assygrey	1	
2	GU05358830	Reaction rod assy.	1	
3	AP8152410	Screw w/ flange M10x55	2	
4	AP8121218	Spacer 10,2x20x4	3	
5	AP8152242	Nut	2	
6	GU05326330	Drive shaft	1	
7	883045	Silent-block	1	
8	GU14018400	Washer 10,5X21X1	1	

<b>Group</b>	FRAME
<b>Code</b>	33.10
<b>Description</b>	Trans.cpl.-Cage
<b>Service</b>	1



Pos.	Code	Description	Qty	Variants
1	GU05358330	Upper dust cover	1	
2	GU05351230	Oil plug M12x1,5	1	
3	GU90718120	Washer	1	
4	GU95510620	Pin 6x20	2	
5	GU05358130	Hose clamp	2	
6	GU05358030	Upper dust cover	1	
7	GU05358230	Hose clamp	1	
8	GU01528930	Gasket 10x18x1,5	1	
9	GU31003766	Oil unload plug M10x1	1	
10	GU90408511	Gasket ring 85x110x8BASL	1	
11	GU98680450	Hex socket screw M8x50	11	
12	GU05206530	Breather plug	1	
13	GU01528930	Gasket 10x18x1,5	1	
14	GU99210406	screw M3,9x6,5	2	
15	GU05358530	Ring	1	
16	GU05358630	Gasket	1	

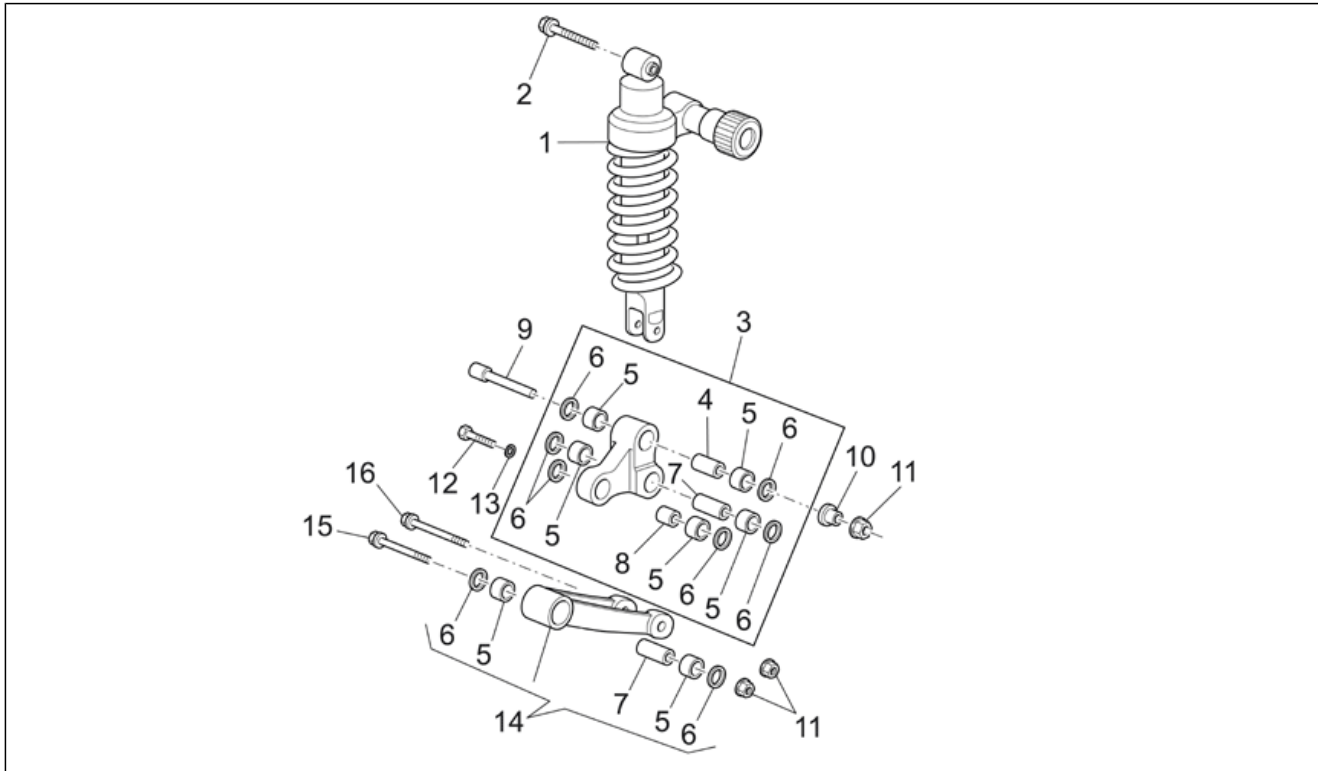
<b>Group</b>	FRAME
<b>Code</b>	33.11
<b>Description</b>	Trans.cpl.-Bevel gear
<b>Service</b>	1



Pos.	Code	Description	Qty	Variants
1	GU05354230	Bevel gear kit 12/44	1	
2	GU05352430	Ring nut	1	
3	GU90404558	Gasket ring 45x58x7	1	
4	GU92208518	Ball bearing 85x120x18	1	
5	GU92204230	Ball bearing 30x62x16	1	
6	AP8121098	Bush	2	
7	AP8120485	Gasket ring	2	
8	GU90273026	Circlip	2	
9	GU05638130	Ball joint	1	

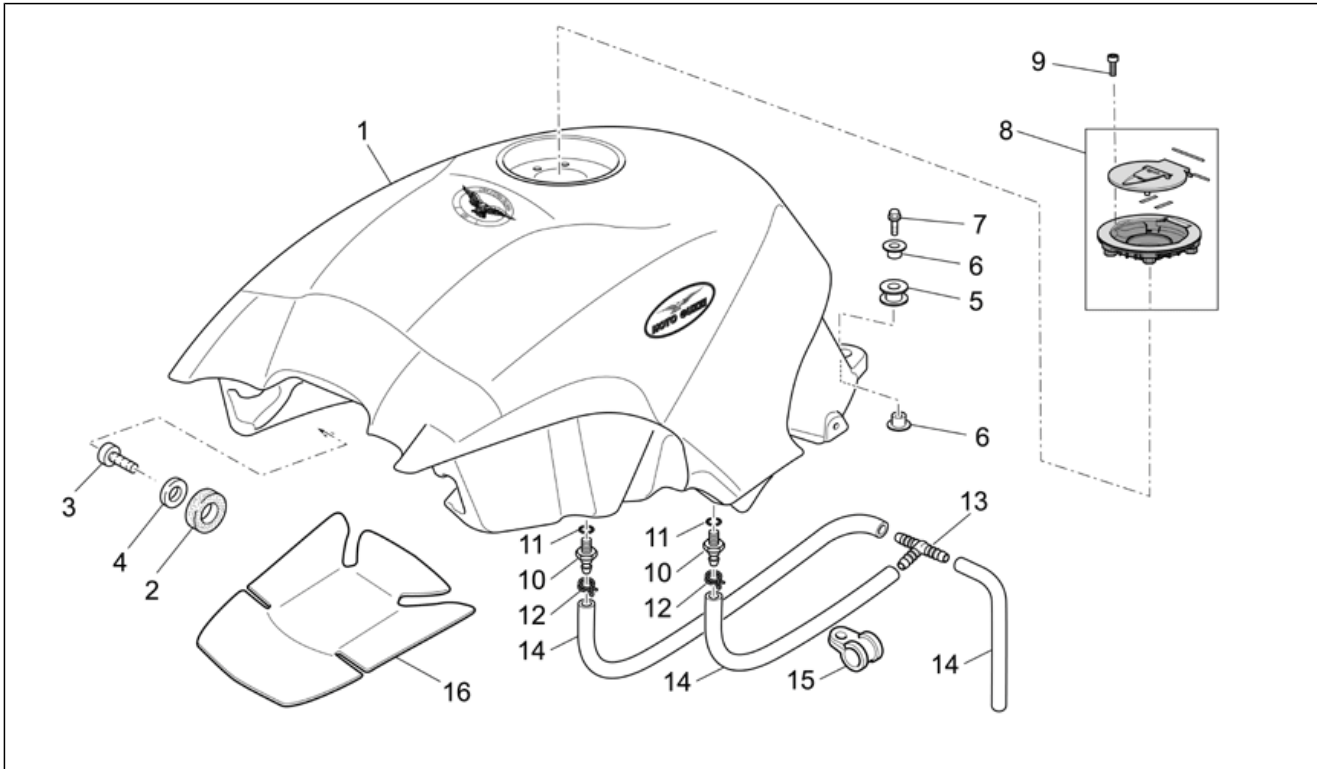


<b>Group</b>	FRAME
<b>Code</b>	33.12
<b>Description</b>	Connecting rod - rear shock abs.
<b>Service</b>	1



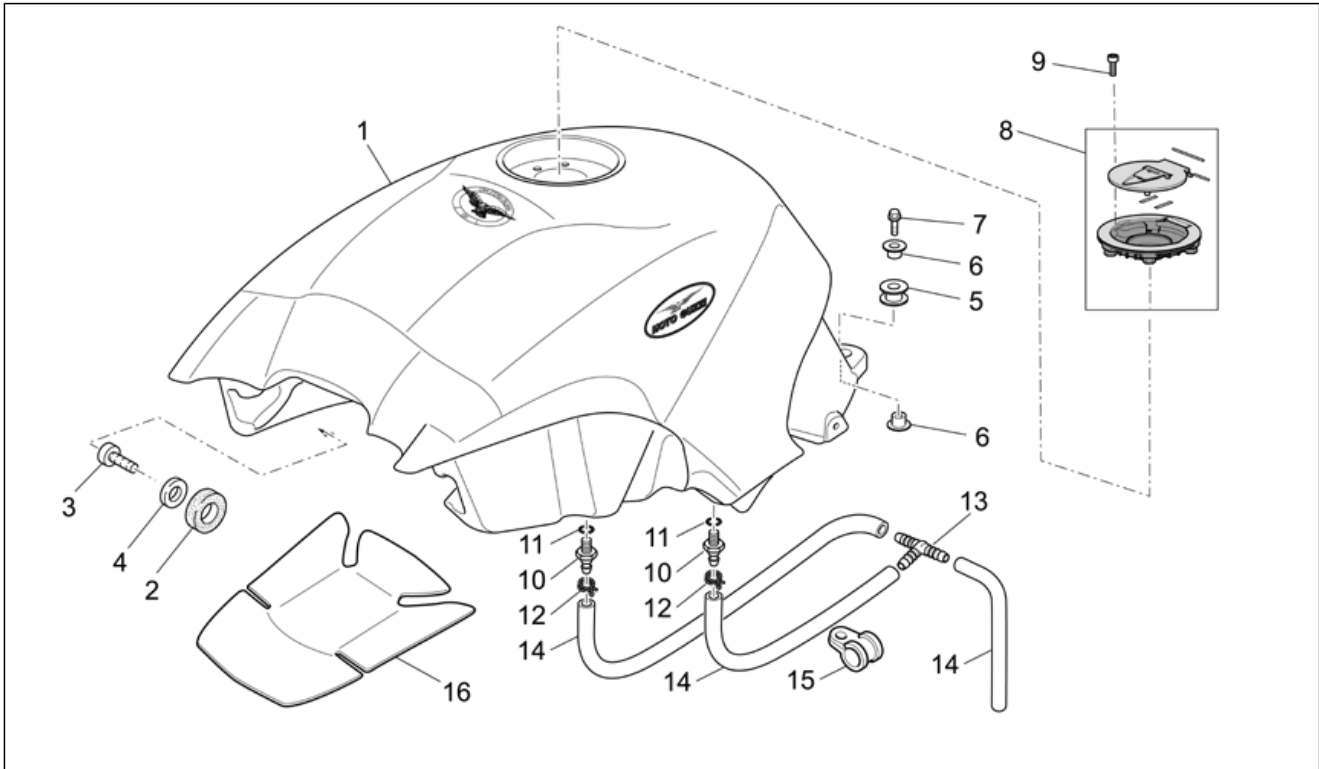
Pos.	Code	Description	Qty	Variants
1	GU05550230	Shock absorber	1	
2	AP8152398	Screw w/ flange M10x80	1	
3	GU05560330	Double conrod	1	
4	AP8135924	Double connecting rod pin L40	1	
5	AP8110066	Cage à rouleaux	7	
6	AP8110068	Oil seal D18x24x3	8	
7	GU05562030	Double connecting rod pin L47	2	
8	AP8135608	Double connecting rod pin L25	1	
9	AP8152397	Hex socket screw M10x82	1	
10	AP8121155	T bush *	1	
11	AP8152301	Self-locking nut	3	
12	AP8152147	Hex screw M10x47	1	
13	AP8150292	Curved spring washer *	1	
14	GU05562430	Single conrod comp.	1	
15	AP8152482	Screw w/ flange M10x85	1	
16	AP8152396	Screw w/ flange M10x95	1	

<b>Group</b>	FRAME
<b>Code</b>	33.13
<b>Description</b>	Fuel tank
<b>Service</b>	1



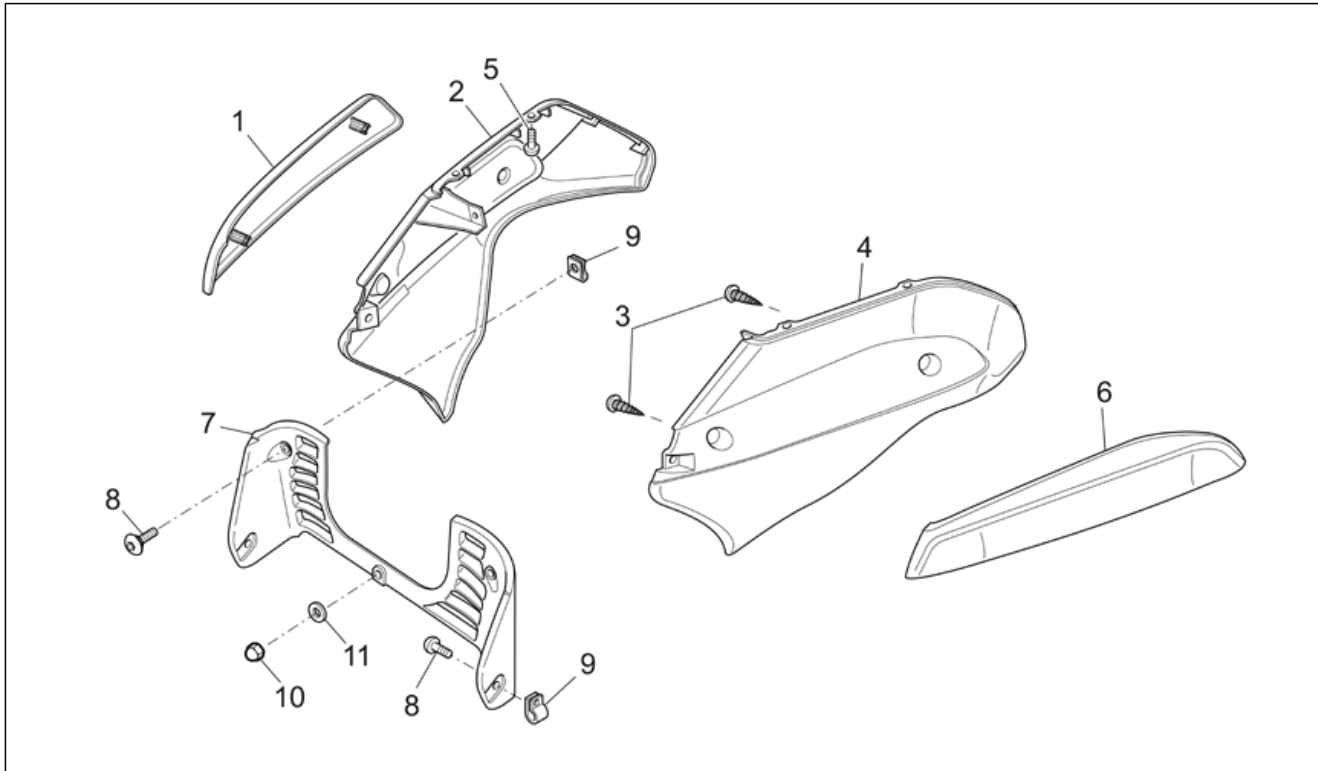
Pos.	Code	Description	Qty	Variants
1	977557	Fuel tank orange	1	<b>Vehicle colour:</b> Orange 2006[or] <b>Country:</b> Australia[AUS], Other country Europe[EU], Japan[J], Great Britain[UK]
1	977558	Fuel tank orange	1	<b>Vehicle colour:</b> Orange 2006[or] <b>Country:</b> Canadian[CA], United States of America[USA]
1	GU05100230	Fuel tank blank	1	<b>Vehicle colour:</b> Blank[gr] <b>Country:</b> Australia[AUS], Other country Europe[EU], Japan[J], Great Britain[UK]
1	GU05100230BM	Fuel tank, white	1	<b>Vehicle colour:</b> Diamond Light 2007[d/wh] <b>Country:</b> Australia[AUS], Other country Europe[EU], Japan[J], Great Britain[UK]
1	GU05100231	Fuel tank red	1	<b>Vehicle colour:</b> Race Red 2005-2006[r/re] <b>Country:</b> Australia[AUS], Other country Europe[EU], Japan[J], Great Britain[UK]
1	GU05100232	Fuel tank, black	1	<b>Vehicle colour:</b> Guzzi Black 2006-2006[g/bl] <b>Country:</b> Australia[AUS], Other country Europe[EU], Japan[J], Great Britain[UK]
1	GU05100233	Fuel tank, grey	1	<b>Vehicle colour:</b> Sasso del Lario Grey 2005-2006[s/gr] <b>Country:</b> Australia[AUS], Other country Europe[EU], Japan[J], Great Britain[UK]
1	GU05100235	Fuel tank blank	1	<b>Vehicle colour:</b> Blank[gr] <b>Country:</b> Canadian[CA], United States of America[USA]
1	GU05100235BM	Fuel tank, white	1	<b>Vehicle colour:</b> Diamond Light 2007[d/wh] <b>Country:</b> Canadian[CA], United States of America[USA]
1	GU05100236	Fuel tank red	1	<b>Vehicle colour:</b> Race Red 2005-2006[r/re] <b>Country:</b> Canadian[CA], United States of America[USA]
1	GU05100237	Fuel tank, black	1	<b>Vehicle colour:</b> Guzzi Black 2006-2006[g/bl] <b>Country:</b> Canadian[CA], United States of America[USA]
1	GU05100238	Fuel tank, grey	1	<b>Vehicle colour:</b> Sasso del Lario Grey 2005-2006[s/gr] <b>Country:</b> Canadian[CA], United States of America[USA]
2	AP8201124	Rubber spacer *	2	
3	GU98682414	Hex socket screw	2	
4	GU95008208	Washer 8,4X15X1,5	2	

<b>Group</b>	FRAME
<b>Code</b>	33.13
<b>Description</b>	Fuel tank
<b>Service</b>	1



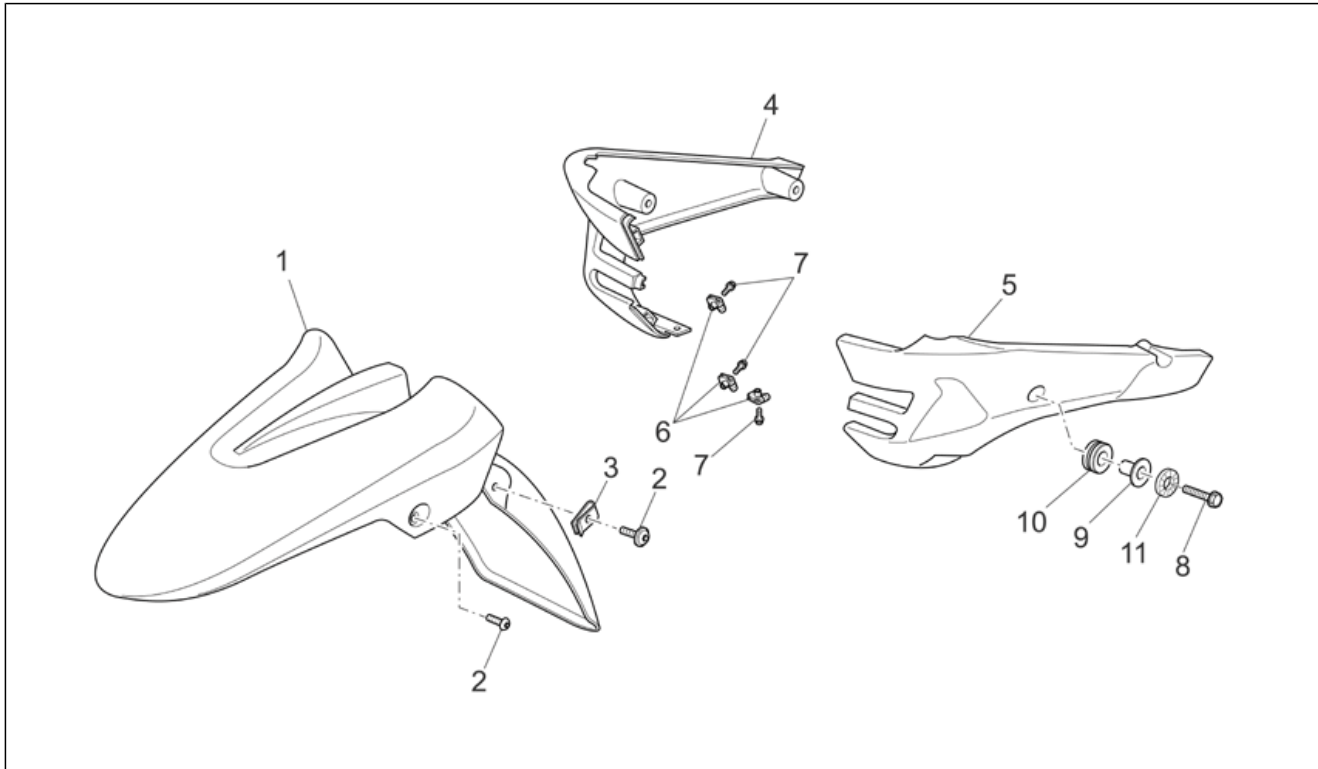
Pos.	Code	Description	Qty	Variants
5	GU02107100	Rubber spacer	1	
6	AP8121804	Spacer *	2	
7	AP8152291	Screw w/ flange	1	
8	GU05103930	Tank cap	1	
9	GU98692216	Hex socket screw	4	
10	GU30103730	Joint	2	
11	AP8120965	O-ring 2018	2	
12	AP8101595	Hose clamp D10,1	2	
13	AP8104666	3-way union	1	
14	AP8120952	Fuel pipe 5,5x10	3	
15	AP8104451	Cable-guide	2	
16	GU05102930	Fuel tank central insulation	1	

<b>Group</b>	FRAME
<b>Code</b>	33.14
<b>Description</b>	Front body - Duct
<b>Service</b>	1



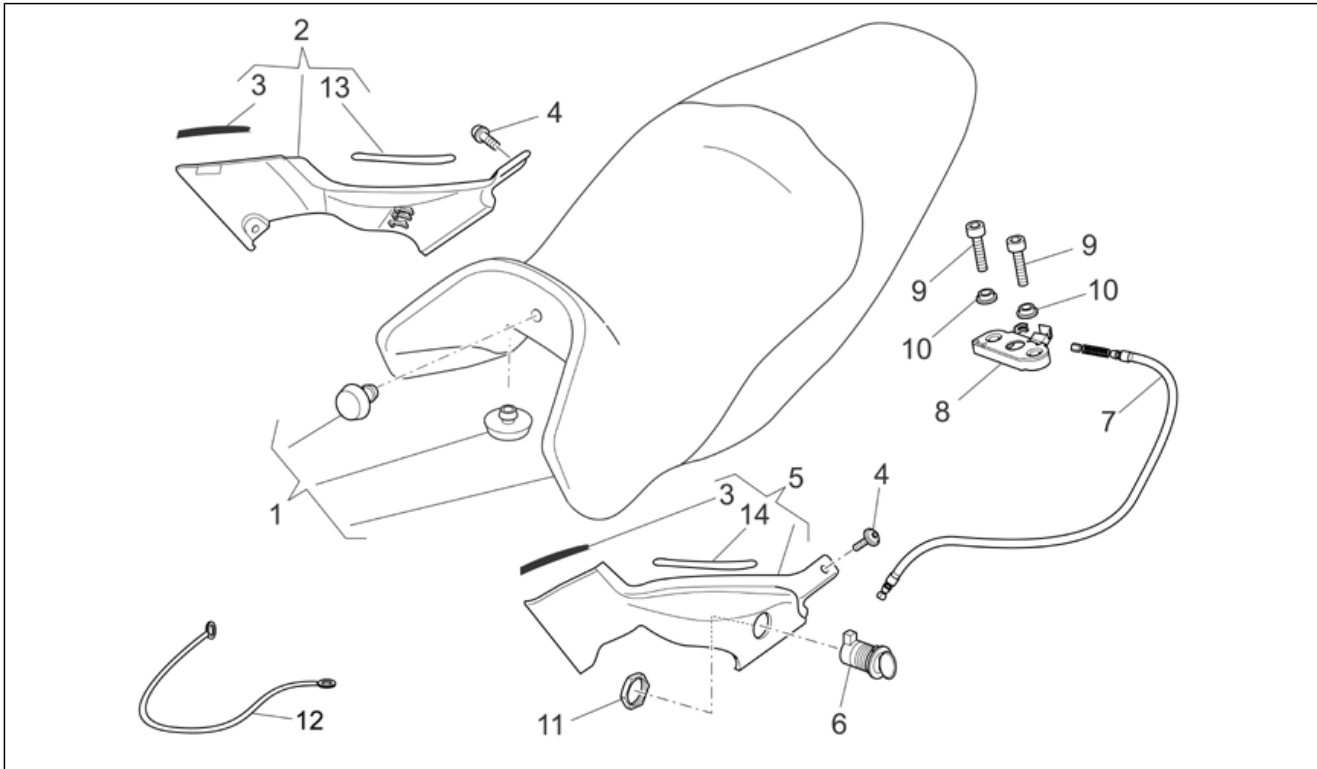
Pos.	Code	Description	Qty	Variants
1	GU05576631	RH protection	1	
2	GU05576230	RH lateral fairing, blank	1	Vehicle colour:Blank[gr]
2	GU05576231	RH lat.fairing technogrey	1	
3	AP8150413	Self-tap screw 3,9x14	4	
4	GU05576330	LH lateral fairing, blank	1	Vehicle colour:Blank[gr]
4	GU05576331	LH lat.fairing technogrey	1	
5	AP8152339	Screw w/ flange M5x9	6	
6	GU05576731	LH protection	1	
7	GU05476430	Water cooler grille	1	
8	AP8152302	Screw w/ flange M5x12	4	
9	AP8102375	Clip m5	4	
10	GU92787205	Cap nut	1	
11	GU95005304	Washer 5,2x18x1,5	1	

<b>Group</b>	FRAME
<b>Code</b>	33.15
<b>Description</b>	Front mud.-Pillar
<b>Service</b>	1



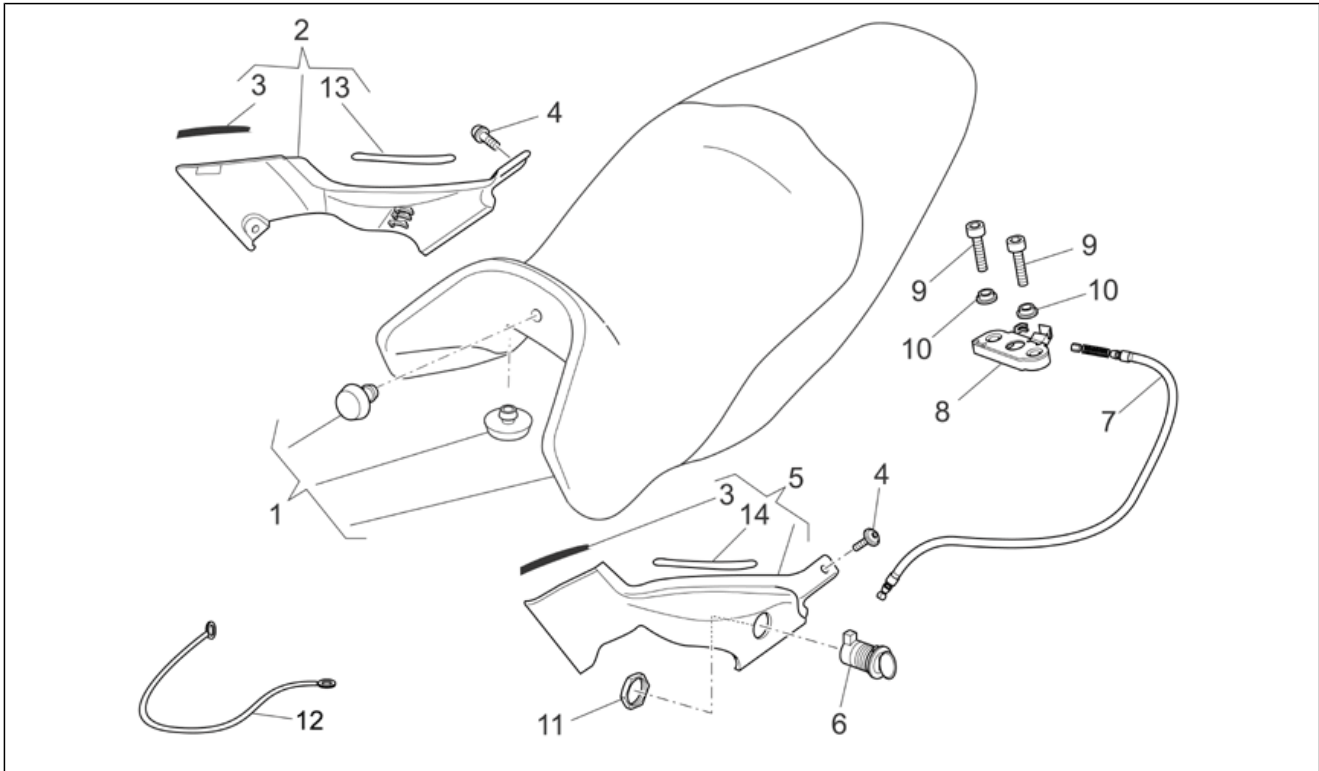
Pos.	Code	Description	Qty	Variants
1	977556	Front mudguard, orange	1	Vehicle colour:Orange 2006[or]
1	GU05434330	Front mudguard blank	1	Vehicle colour:Blank[gr]
1	GU05434330BM	Front mudguard, white	1	Vehicle colour:Diamond Light 2007[d/wh]
1	GU05434331	Front mudguard, red	1	Vehicle colour:Race Red 2005-2006[r/re]
1	GU05434332	Front mudguard, black	1	Vehicle colour:Guzzi Black 2006-2006[g/bl]
1	GU05434333	Front mudguard, grey	1	Vehicle colour:Sasso del Lario Grey 2005-2006[s/gr]
2	AP8152302	Screw w/ flange M5x12	4	
3	AP8102375	Clip m5	2	
4	GU05570530	RH Pillar	1	
5	GU05570630	LH Pillar	1	
6	AP8102375	Clip m5	3	
7	AP8152339	Screw w/ flange M5x9	3	
8	AP8152287	Screw w/ flange M8x25	4	
9	AP8221128	T bush 8,5x10,7x12	4	
10	AP8120594	Rubber spacer	4	
11	GU95008308	Washer	4	

<b>Group</b>	FRAME
<b>Code</b>	33.16
<b>Description</b>	Saddle-Central bod
<b>Service</b>	1



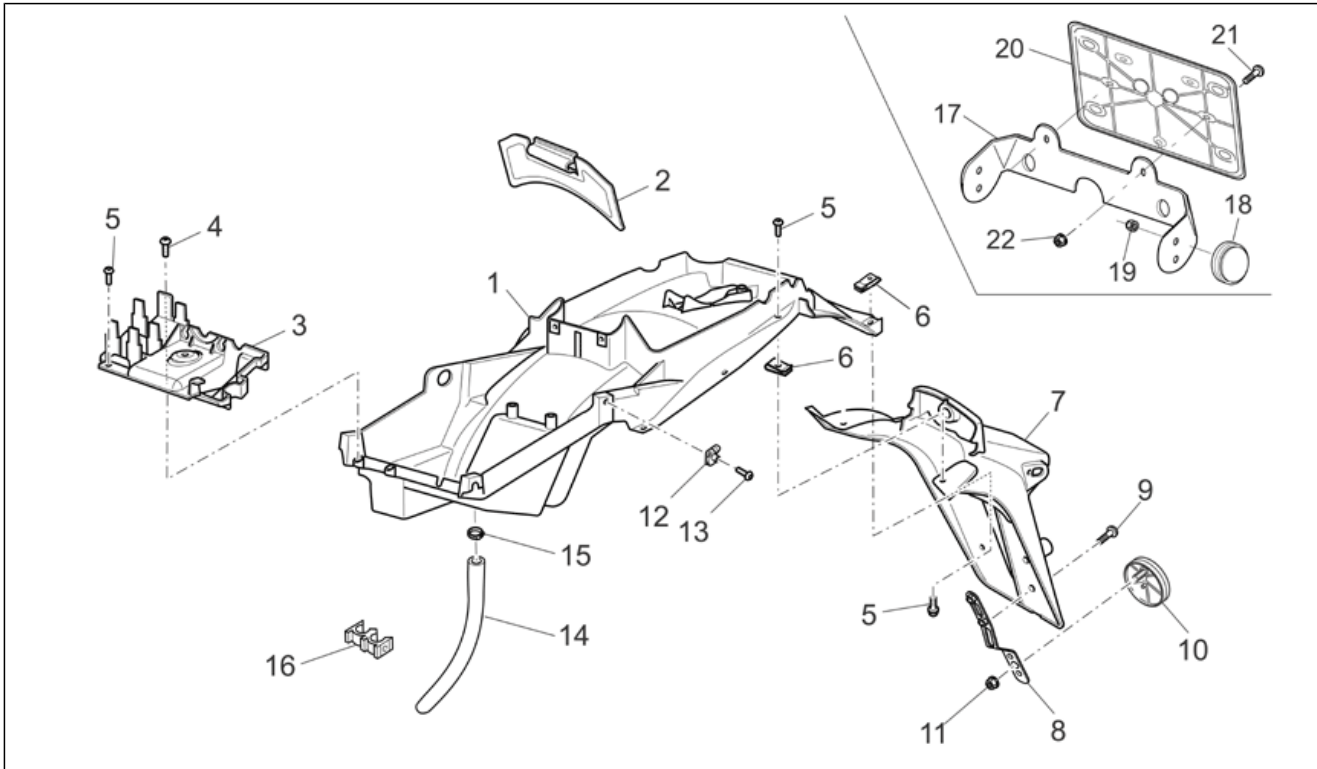
Pos.	Code	Description	Qty	Variants
1	978249	Saddle, black	1	Year:2007[7]
1	GU05460530	Saddle, black/grey	1	Year:2005[5], 2006[6] Vehicle colour:Orange 2006[or], Race Red 2005-2006[r/re], Sasso del Lario Grey 2005-2006[s/gr]
1	GU05460530	Saddle, black/grey	1	Year:2005[5], 2006[6] Vehicle colour:Guzzi Black 2006-2006[g/bl] Country:Great Britain[UK]
1	GU05460531	Saddle, red	1	Year:2005[5], 2006[6] Vehicle colour:Guzzi Black 2006-2006[g/bl] Country:Australia[AUS], Canadian[CA], Other country Europe[EU], Japan[J], United States of America[USA]
2	977559	RH side panel, orange	1	Vehicle colour:Orange 2006[or]
2	GU05570230	RH body panel blank	1	Vehicle colour:Blank[gr]
2	GU05570230BM	RH side panel, white	1	Vehicle colour:Diamond Light 2007[d/wh]
2	GU05570231	RH side panel, red	1	Vehicle colour:Race Red 2005-2006[r/re]
2	GU05570232	RH side panel, black	1	Vehicle colour:Guzzi Black 2006-2006[g/bl]
2	GU05570233	RH side panel, grey	1	Vehicle colour:Sasso del Lario Grey 2005-2006[s/gr]
3	AP8144538	Gasket	2	
4	AP8152339	Screw w/ flange M5x9	2	
5	977560	LH side panel, orange	1	Vehicle colour:Orange 2006[or]
5	GU05570430	LH body panel blank	1	Vehicle colour:Blank[gr]
5	GU05570430BM	LH side panel, white	1	Vehicle colour:Diamond Light 2007[d/wh]
5	GU05570431	LH side panel, red	1	Vehicle colour:Race Red 2005-2006[r/re]
5	GU05570432	LH side panel, black	1	Vehicle colour:Guzzi Black 2006-2006[g/bl]
5	GU05570433	LH side panel, grey	1	Vehicle colour:Sasso del Lario Grey 2005-2006[s/gr]
6	GU05466830	Saddle lock	1	
7	AP8102914	Saddle release cable	1	
8	AP8102913	Pass.saddle connecting plate	1	
9	GU98370625	Hex socket screw	2	
10	AP8152299	Self-locking nut M6	2	

<b>Group</b>	FRAME
<b>Code</b>	33.16
<b>Description</b>	Saddle-Central bod
<b>Service</b>	1



Pos.	Code	Description	Qty	Variants
11	AP8102523	Lock nut M22x1,5	1	
12	AP8102502	Helmet lock cable	1	
13	GU05573830	RH side fairing decal	1	
14	GU05573831	LH side fairing decal	1	

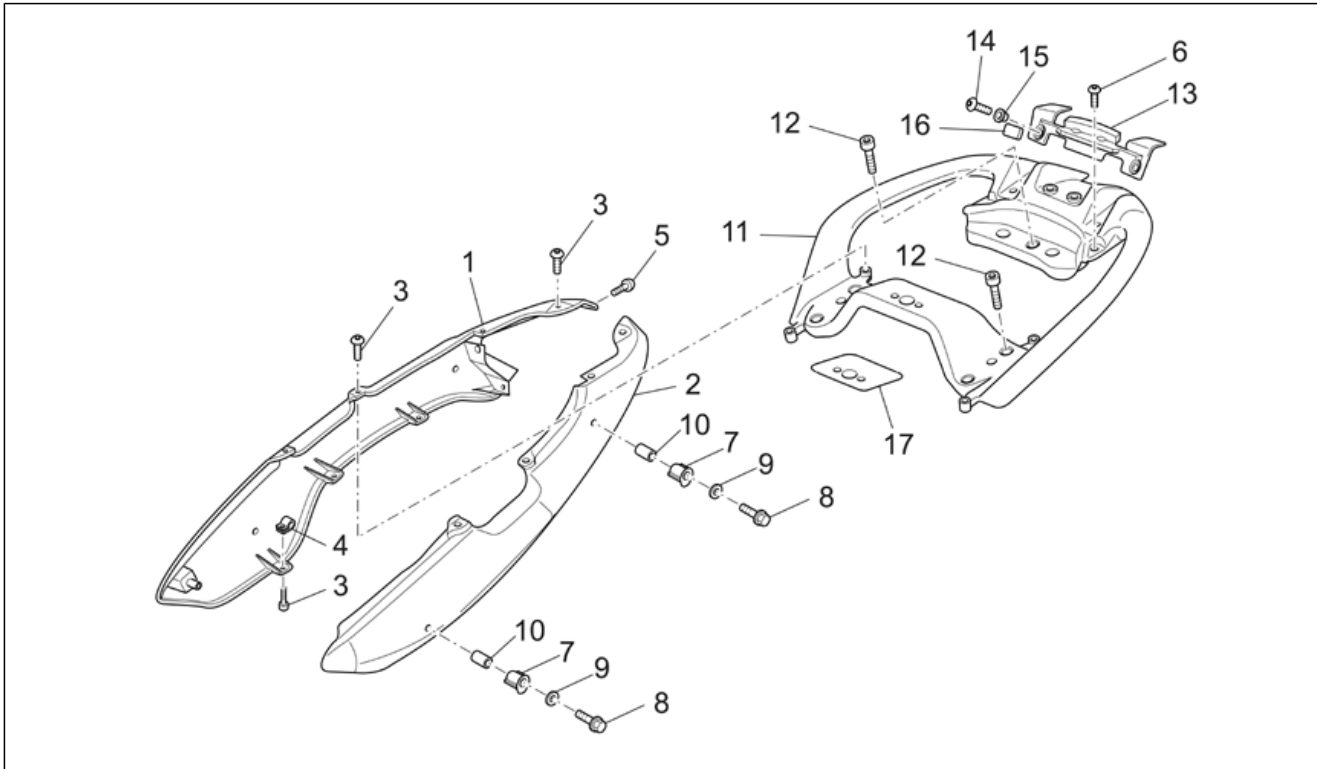
<b>Group</b>	FRAME
<b>Code</b>	33.17
<b>Description</b>	Rear body - Mudguard
<b>Service</b>	1



Pos.	Code	Description	Qty	Variants
1	883828	Splash guard	1	<b>Technical Specifications:</b> Vehicle with YT20-BS battery[B]
1	GU05438730	Splash guard	1	<b>Technical Specifications:</b> Vehicle with YTX20CH-BS battery[A]
2	GU05479630	Door	1	
3	GU05780530	Maintenance	1	
4	AP8152329	Phillips screw, SWP M5x20	2	
5	AP8152339	Screw w/ flange M5x9	7	
6	AP8102375	Clip m5	4	
7	GU05438630	Number plate holder	1	
8	AP8134448	Reflector support	1	
9	AP8152267	Hex socket screw M5x12	2	
10	AP8224164	Rear reflector, red	1	
11	AP8152306	Self-locking nut m5	1	
12	GU28576591	Clip M6	6	
13	GU98370614	Hex socket screw M6x14	6	
14	AP8120952	Fuel pipe 5,5x10	1	
15	AP8101595	Hose clamp D10,1	1	
16	AP8201808	Cable-guide D8	2	
17	AP8258253	Rear reflector support	1	<b>Country:</b> Canadian[CA], United States of America[USA]
18	AP8224164	Rear reflector, red	2	<b>Country:</b> Canadian[CA], United States of America[USA]
19	AP8152306	Self-locking nut m5	2	<b>Country:</b> Canadian[CA], United States of America[USA]
20	AP8149034	Number plate support	1	<b>Country:</b> Canadian[CA], United States of America[USA]
21	GU98210616	Screw w/ flange M6x16 inox	2	<b>Country:</b> Canadian[CA], United States of America[USA]
22	AP8152299	Self-locking nut M6	2	<b>Country:</b> Canadian[CA], United States of America[USA]

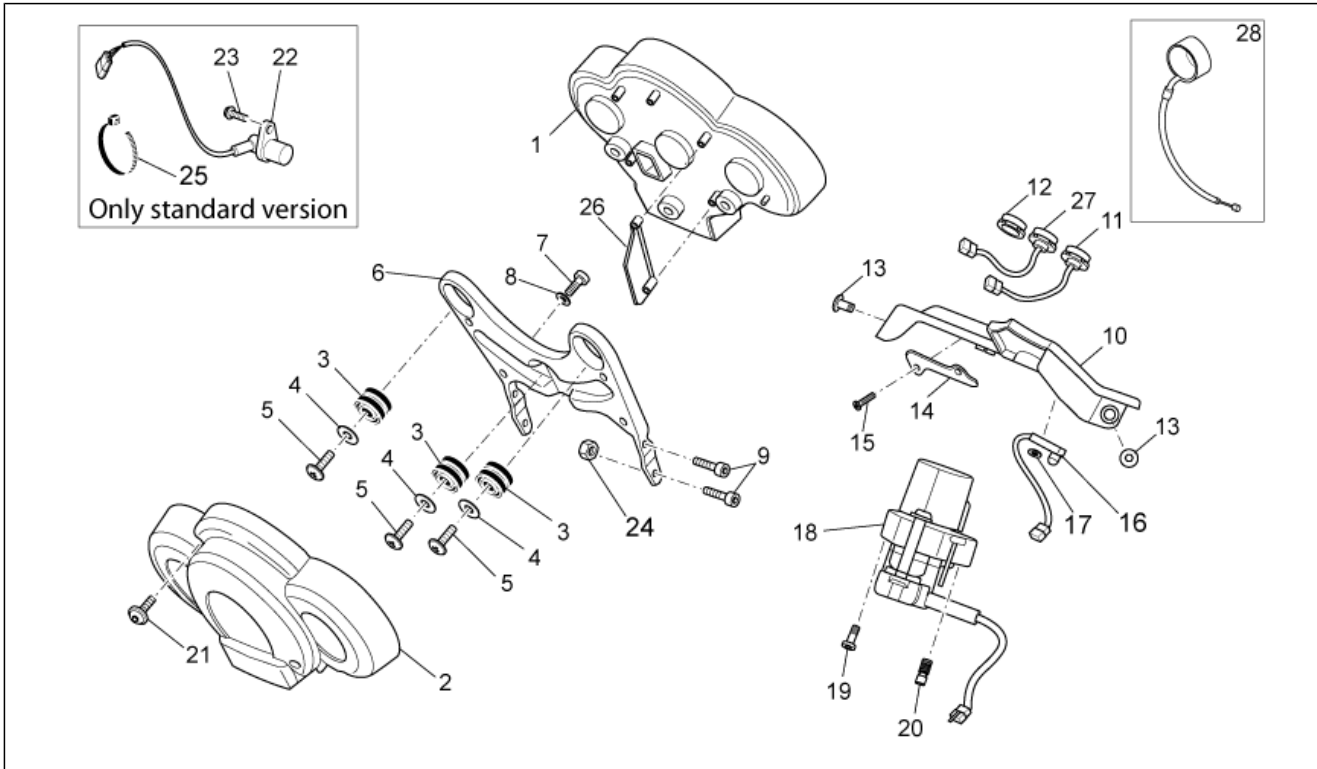


<b>Group</b>	FRAME
<b>Code</b>	33.18
<b>Description</b>	Rear body - Rear fairing
<b>Service</b>	1



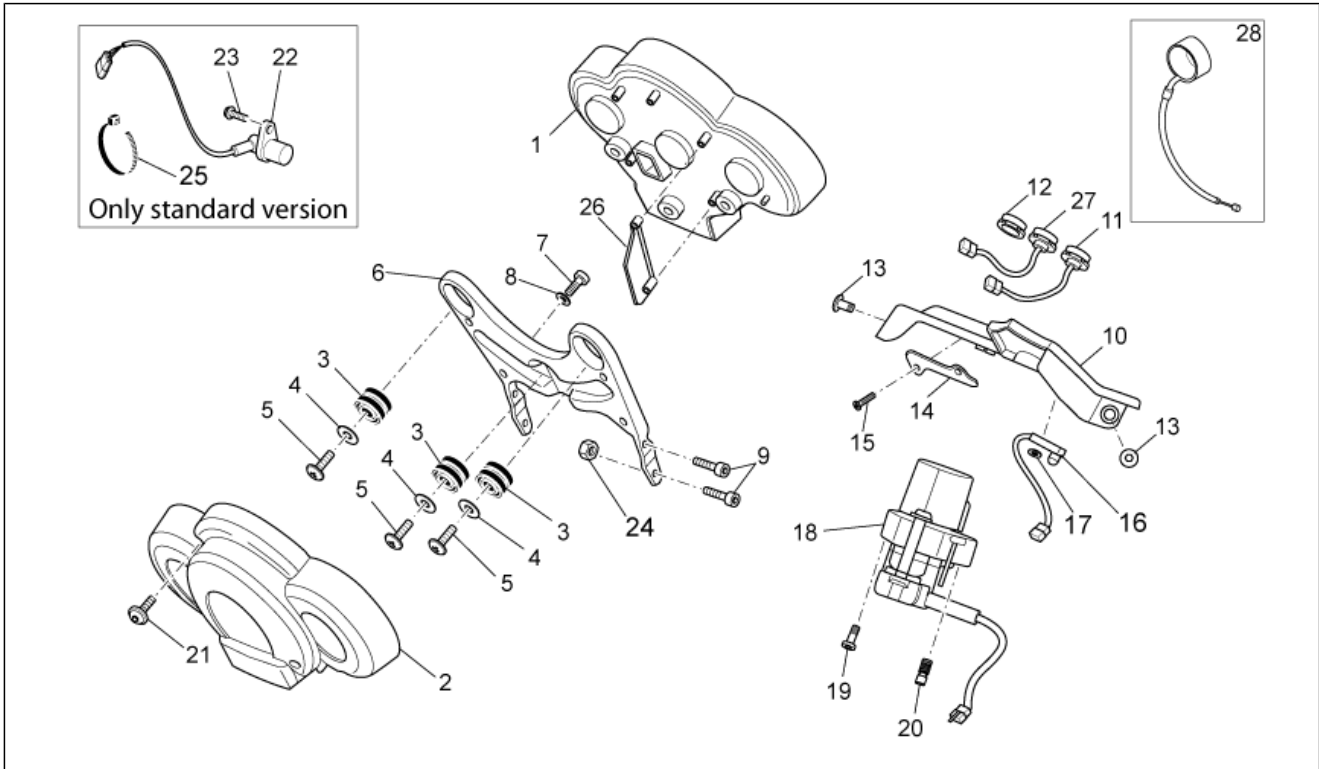
Pos.	Code	Description	Qty	Variants
1	977561	RH rear fairing, orange	1	Vehicle colour:Orange 2006[or]
1	GU05573230	RH rear fairing, blank	1	Vehicle colour:Blank[gr]
1	GU05573230BM	RH rear fairing, white	1	Vehicle colour:Diamond Light 2007[d/wh]
1	GU05573231	RH rear fairing, red	1	Vehicle colour:Race Red 2005-2006[r/re]
1	GU05573232	RH rear fairing, black	1	Vehicle colour:Guzzi Black 2006-2006[g/bl]
1	GU05573233	RH rear fairing, grey	1	Vehicle colour:Sasso del Lario Grey 2005-2006[s/gr]
2	977562	LH rear fairing, orange	1	Vehicle colour:Orange 2006[or]
2	GU05573330	LH rear fairing, blank	1	Vehicle colour:Blank[gr]
2	GU05573330BM	LH rear fairing, white	1	Vehicle colour:Diamond Light 2007[d/wh]
2	GU05573331	LH rear fairing, red	1	Vehicle colour:Race Red 2005-2006[r/re]
2	GU05573332	LH rear fairing, black	1	Vehicle colour:Guzzi Black 2006-2006[g/bl]
2	GU05573333	LH rear fairing, grey	1	Vehicle colour:Sassi del Lario Grey 2005-2006[s/gr]
3	AP8152339	Screw w/ flange M5x9	10	
4	AP8102375	Clip m5	10	
5	GU98682215	Hex socket screw	2	
6	AP8152302	Screw w/ flange M5x12	2	
7	GU05467330	Hook	4	
8	AP8152292	Screw w/ flange	4	
9	GU03270300	Washer 8,4x15	4	
10	GU91120924	Spacer 9x18x24	4	
11	GU05464330	Handle	1	
12	GU98682425	Hex socket screw M8x25	5	
13	GU05464830	Cover	1	
14	AP8152055	Hex socket screw M8x12	2	
15	AP8121096	T bush 8,2x12x4	2	
16	AP8120455	Rubber spacer	2	
17	GU32944210	Guard decal	1	

<b>Group</b>	FRAME
<b>Code</b>	33.19
<b>Description</b>	Dashboard
<b>Service</b>	1



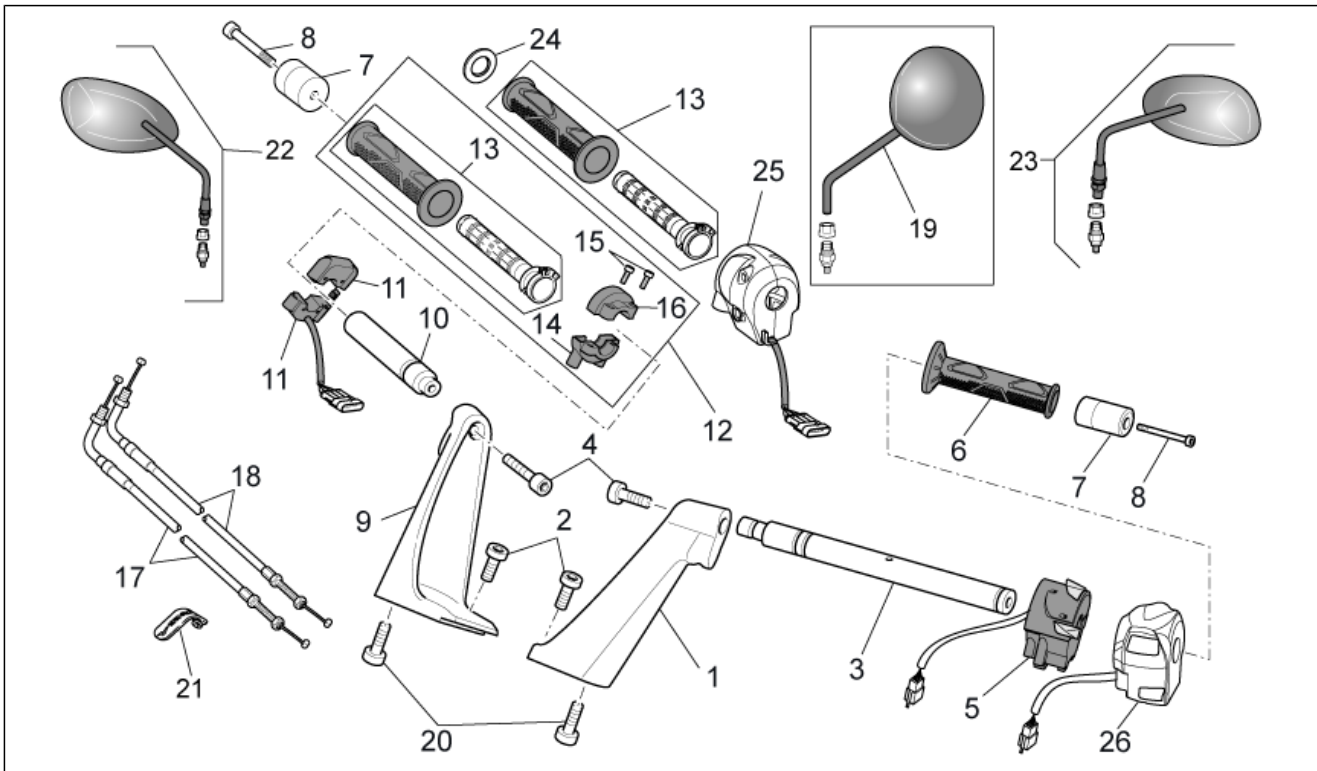
Pos.	Code	Description	Qty	Variants
1	977523	Dashboard complete	1	Year:2007[7] Country:Australia[AUS], Canadian[CA], Other country Europe[EU], Japan[J]
1	977524	Dashboard complete	1	Year:2007[7] Country:Great Britain[UK], United States of America[USA]
1	GU05760030	Dashboard complete	1	Year:2005[5], 2006[6] Country:Australia[AUS], Canadian[CA], Other country Europe[EU], Japan[J]
1	GU05760031	Dashboard complete	1	Year:2005[5], 2006[6] Country:Great Britain[UK], United States of America[USA]
2	GU05766530	Cover	1	
3	AP8220150	Rubber spacer	3	
4	AP8150255	Washer 5x20x1,5	3	
5	AP8150509	Self-tap screw 5x14	3	
6	GU05764030	Support plate	1	
7	GU98682416	Hex socket screw M8x16	1	
8	GU03270300	Washer 8,4x15	1	
9	GU98692313	Hex socket screw M6x12	4	
10	GU05764330	Dashboard panel	1	
11	GU05745730	Switch Hazard	1	Year:2005[5], 2006[6]
12	GU05764430	Cover	2	Technical Specifications:Version without ABS[std]
12	GU05764430	Cover	1	Technical Specifications:ABS version[abs]
13	AP8152339	Screw w/ flange M5x9	2	
14	GU05764530	Plate	1	
15	AP8150421	Self-tap screw 2,9x12	2	
16	AP8124936	Air temp. Sensor	1	
17	GU90274002	Washer for shafts	2	
18	GU05782530	Main switch - steering lock	1	
19	GU98682430	Hex socket screw M8x30	1	

<b>Group</b>	FRAME
<b>Code</b>	33.19
<b>Description</b>	Dashboard
<b>Service</b>	1



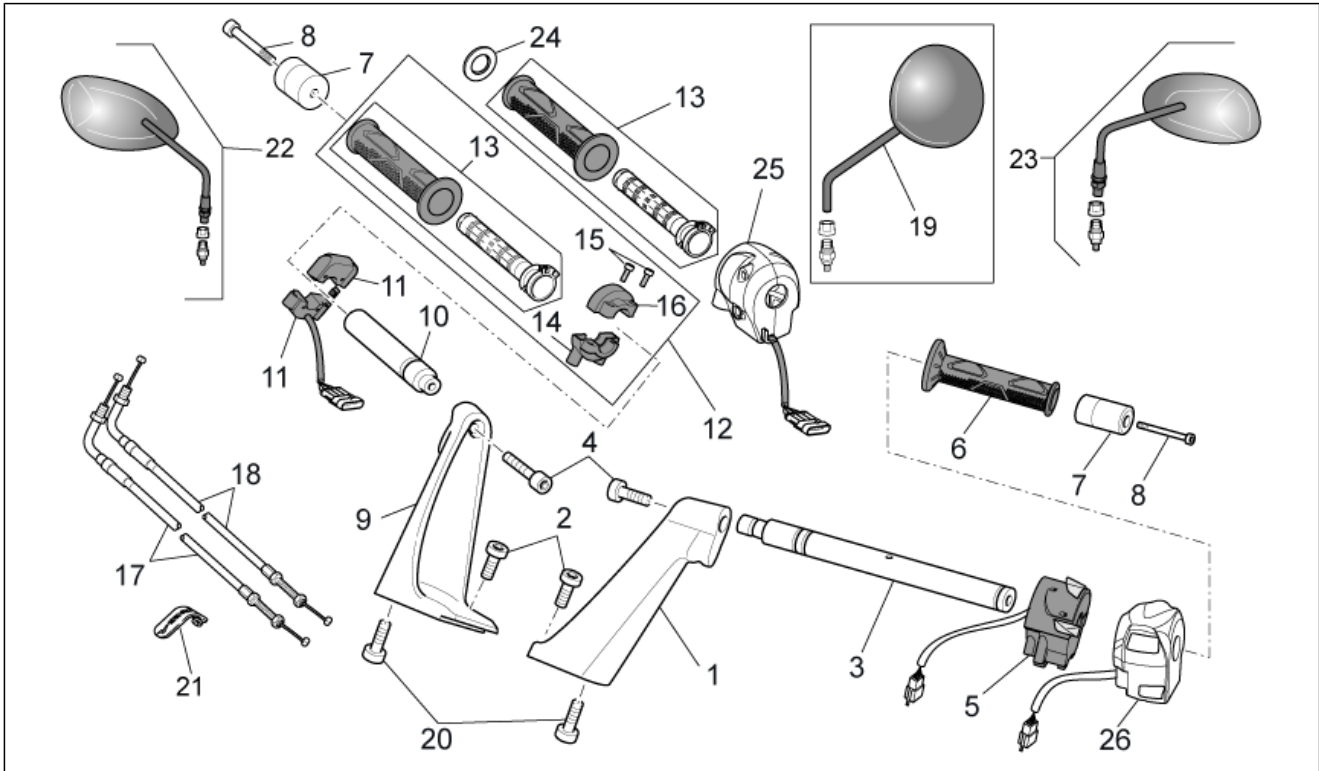
Pos.	Code	Description	Qty	Variants
20	AP8152238	Shear rivet M8x28	1	
21	AP8152334	Screw w/ flange M3x12	4	
22	AP8124985	Speedometer sensor cpl.	1	<b>Technical Specifications:</b> Version without ABS[std]
23	AP8152278	Screw w/ flange M6x16	1	<b>Technical Specifications:</b> Version without ABS[std]
24	GU92630206	Nut M6x1	2	
25	GU49609601	Hose clamp 2,4x92	2	<b>Technical Specifications:</b> Version without ABS[std]
26	GU05767830	Protection	1	
27	GU05780430	Switch ABS	1	<b>Technical Specifications:</b> ABS version[abs]
28	981087	Immobilizer antenna	1	

<b>Group</b>	FRAME
<b>Code</b>	33.20
<b>Description</b>	Handlebar - Controls
<b>Service</b>	1



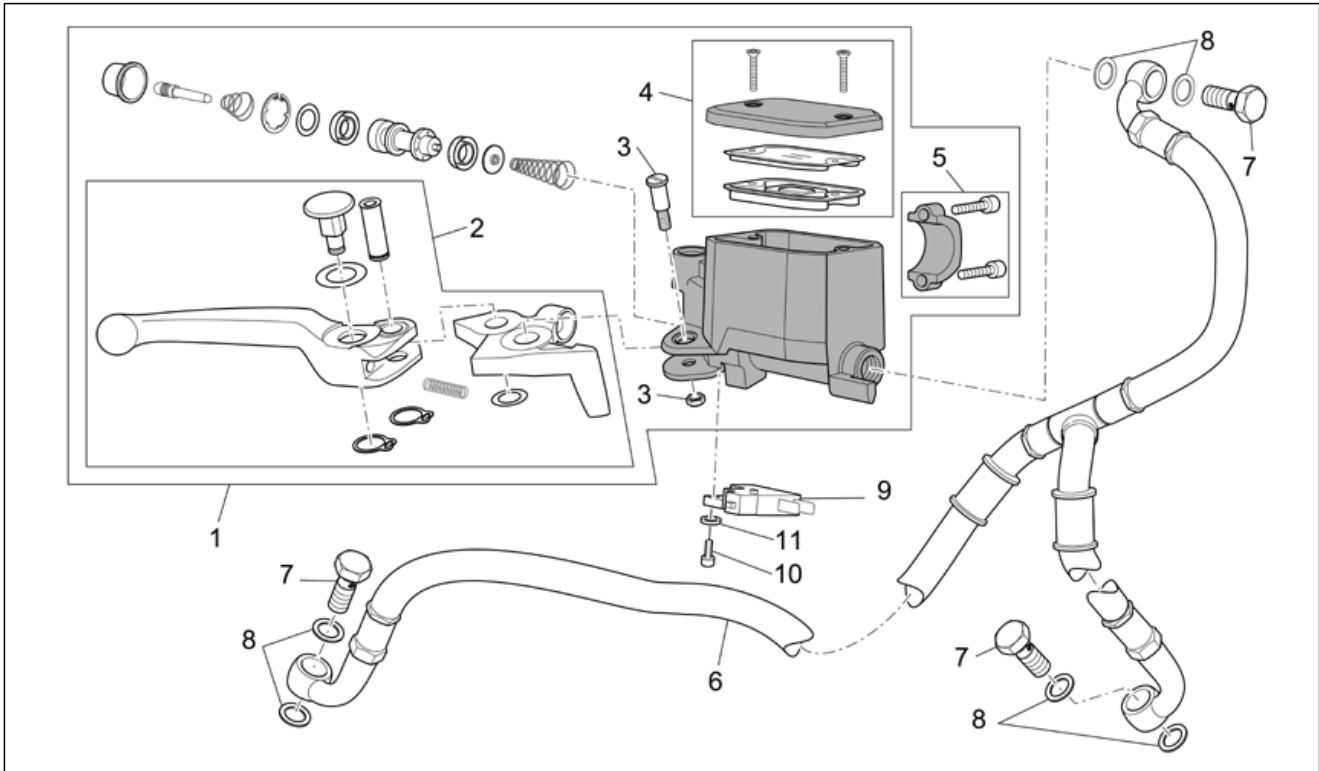
Pos.	Code	Description	Qty	Variants
1	GU05600730	Left half handlebar	1	
2	GU98692425	Hex socket screw M8x25	4	
3	GU05600930	LH handlebar tube	1	
4	GU98692430	Hex socket screw M8x30	2	
5	GU05738030	LH lights selector	1	
6	AP8706527	L.H. heated grip	1	
7	AP8104572	Anti.v weight, black	2	
8	GU98680360	Hex socket screw M6x60	2	
9	GU05600630	Right half handlebar	1	
10	GU05600230	RH handlebar tube	1	
11	B045021	RH lights selector	1	Year:2005[5], 2006[6]
12	GU05603331	Throttle cpl.	1	Year:2005[5], 2006[6]
13	GU01603480	RH hand grip	1	
14	AP8118502	Front gas lever U-bolt	1	Year:2005[5], 2006[6]
15	AP8118492	Cap screw	2	Year:2005[5], 2006[6]
16	AP8118503	Rear gas lever U-bolt	1	Year:2005[5], 2006[6]
17	978314	Gas trasmission delivery	1	Year:2007[7]
17	GU05117530	Gas trasmission delivery	1	Year:2005[5], 2006[6]
18	978315	Gas trasmission return	1	Year:2007[7]
18	GU05117830	Gas trasmission return	1	Year:2005[5], 2006[6]
19	AP8104566	Rearview mirror	2	Technical Specifications:First series[1A]
20	GU98692425	Hex socket screw M8x25	2	
21	GU01609630	Hose clamp L46 mm	2	
21	GU03609600	Hose clamp L36 mm	4	
22	883802	RH/LH rearview mirror	1	Technical Specifications:marcato "FU E11 81R-001047"[4A]
22	GU32769460	RH rearview mirror	1	Technical Specifications:Second series[2A]
23	883802	RH/LH rearview mirror	1	Technical Specifications:marcato "FU E11 81R-001047"[4A]
23	GU32769860	LH rearview mirror	1	Technical Specifications:Second series[2A]

<b>Group</b>	FRAME
<b>Code</b>	33.20
<b>Description</b>	Handlebar - Controls
<b>Service</b>	1



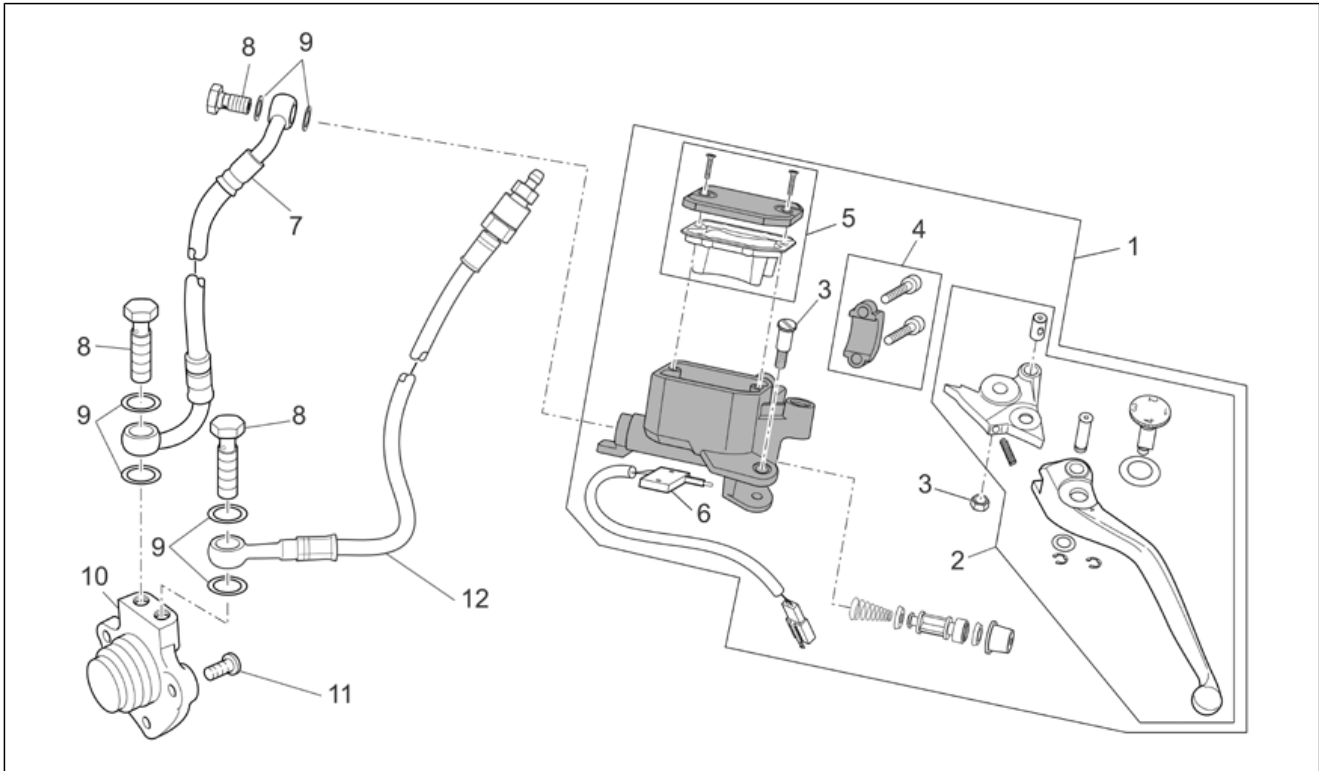
Pos.	Code	Description	Qty	Variants
24	977679	Nylon washer	1	Year:2007[7]
25	977780	RH lights selector	1	Year:2007[7] Technical Specifications:Second series[2A], Yellow stamp inside[YL]
25	AP8127648	RH lights selector	1	Year:2007[7] Technical Specifications:First series[1A]
26	977522	LH lights selector	1	Year:2007[7]

<b>Group</b>	FRAME
<b>Code</b>	33.21
<b>Description</b>	Front master cilinder
<b>Service</b>	1



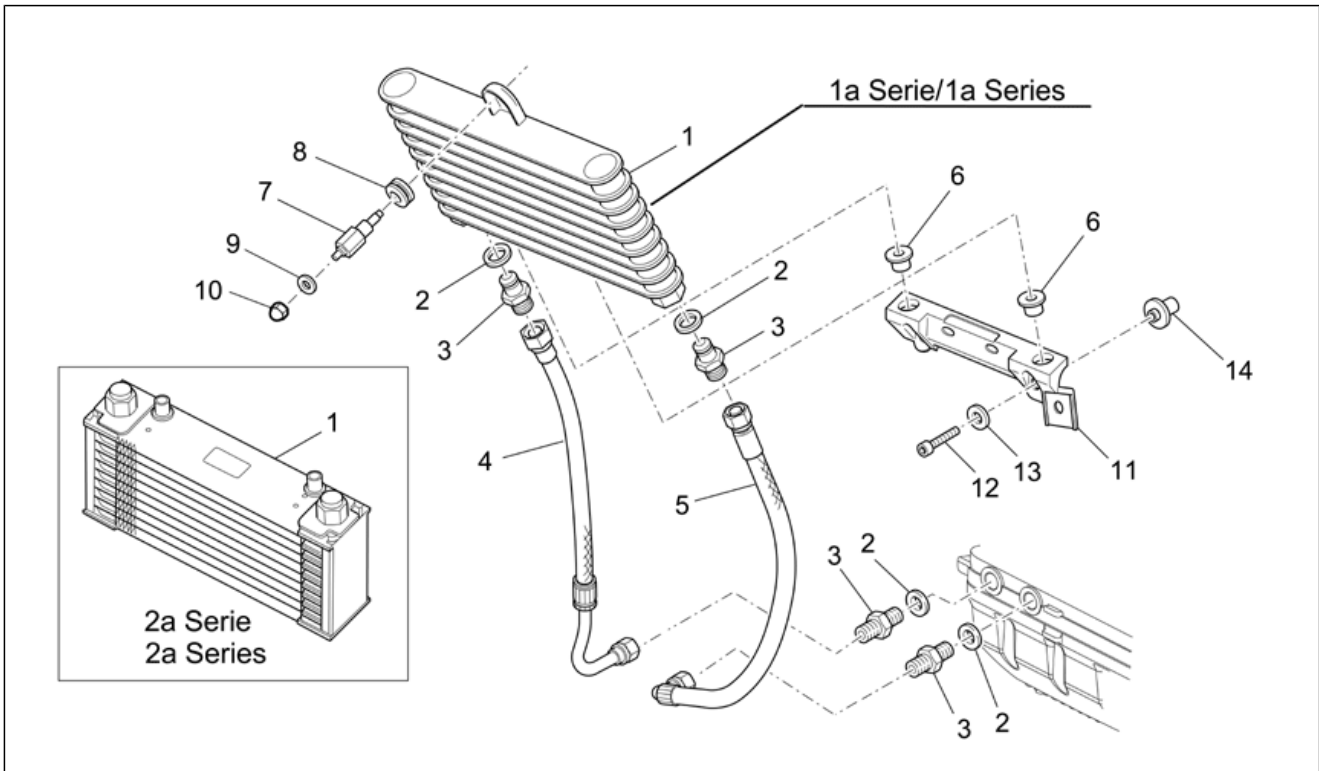
Pos.	Code	Description	Qty	Variants
1	978606	Front master cilinder	1	<b>Technical Specifications:</b> Second series[2A], Silver colour lever adjustment ring nut[SL]
1	GU05660130	Front master cilinder	1	<b>Technical Specifications:</b> First series[1A], Gold colour lever adjustment ring nut[GL]
2	981050	Front brake lever	1	<b>Technical Specifications:</b> First series[1A], Gold colour lever adjustment ring nut[GL]
2	AP8133510	Front brake lever	1	<b>Technical Specifications:</b> Second series[2A], Silver colour lever adjustment ring nut[SL]
3	AP8113995	Lever pin	1	
4	GU05661130	Tank cap	1	
5	AP8113993	U-bolt	1	
6	GU05658830	Front brake hose	1	<b>Technical Specifications:</b> Version without ABS[std]
7	AP8133594	Oil pipe screw	3	
8	GU25656100	Gasket	6	
9	GU03749845	Stop switch	1	
10	GU98370412	Hex socket screw M4x12	1	
11	GU95021104	Washer 4,3x8x1,5	1	

<b>Group</b>	FRAME
<b>Code</b>	33.22
<b>Description</b>	Clutch control complete
<b>Service</b>	1



Pos.	Code	Description	Qty	Variants
1	978607	Clutch pump	1	<b>Technical Specifications:</b> Second series[2A], Silver colour lever adjustment ring nut[SL]
1	AP8106713	Clutch pump	1	<b>Technical Specifications:</b> First series[1A], Gold colour lever adjustment ring nut[GL]
2	981046	Clutch lever	1	<b>Technical Specifications:</b> Second series[2A], Silver colour lever adjustment ring nut[SL]
2	AP8118659	Clutch lever	1	<b>Technical Specifications:</b> First series[1A], Gold colour lever adjustment ring nut[GL]
3	GU03604845	Lever pin	1	
4	AP8113993	U-bolt	1	
5	AP8113997	Tank cap	1	
6	AP8113998	Microswitch	1	
7	GU05606530	Clutch pipe	1	
8	AP8133594	Oil pipe screw	3	
9	AP8121915	Gasket	6	
10	GU05086330	Clutch command cylinder	1	
11	AP8152278	Screw w/ flange M6x16	3	
12	GU05606630	Float chambe clutch pipe	1	

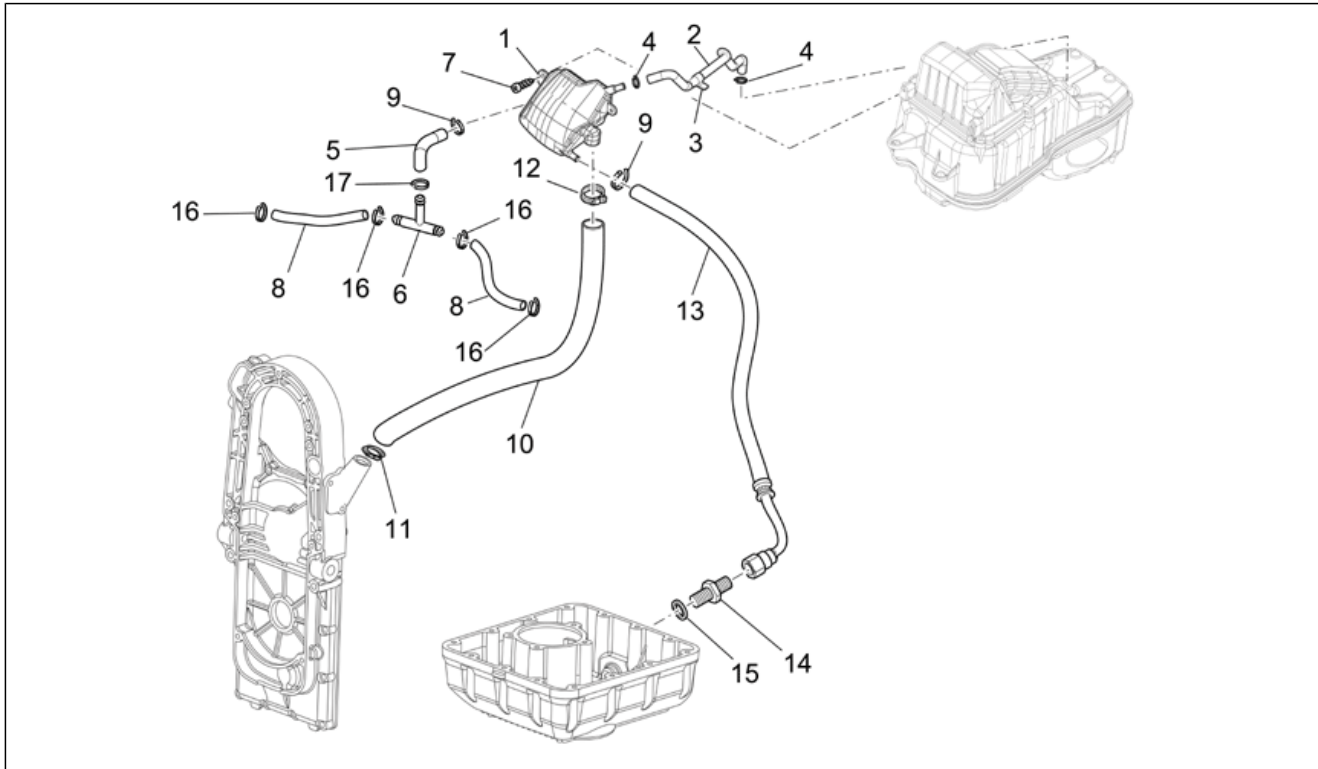
<b>Group</b>	FRAME
<b>Code</b>	33.23
<b>Description</b>	Oil radiator
<b>Service</b>	1



Pos.	Code	Description	Qty	Variants
1	GU05162030	Oil cooler cpl.	1	<b>Technical Specifications:</b> First series[1A], Order 05162031[O1]
1	GU05162031	Oil cooler cpl.	1	<b>Technical Specifications:</b> Second series[2A]
2	GU01154230	Gasket	4	
3	GU01161331	Reduction	4	
4	GU05162331	RH pipe	1	
5	GU05161631	LH pipe	1	
6	AP8101372	Silent-block	2	
7	GU05164630	Special screw	1	
8	GU91551010	Rubber spacer	1	
9	GU95005304	Washer 5,2x18x1,5	1	
10	GU92787205	Cap nut	1	
11	GU05164230	Bracket	1	
12	GU98680340	Hex socket screw M6x40	2	
13	GU95005306	Washer 6,4x13x1,5	2	
14	GU91120622	Bushing 6,2x11x22,5	2	

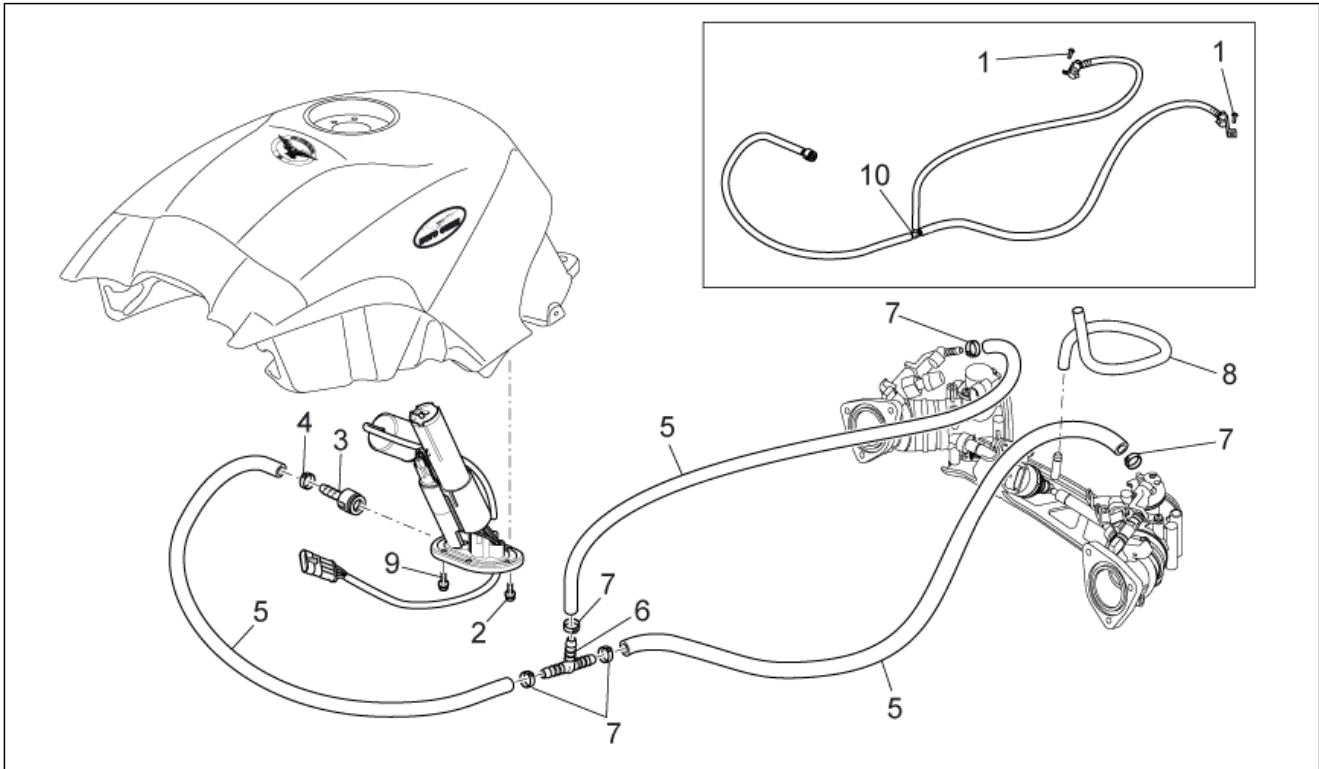


<b>Group</b>	FRAME
<b>Code</b>	33.24
<b>Description</b>	Blow-by system
<b>Service</b>	1



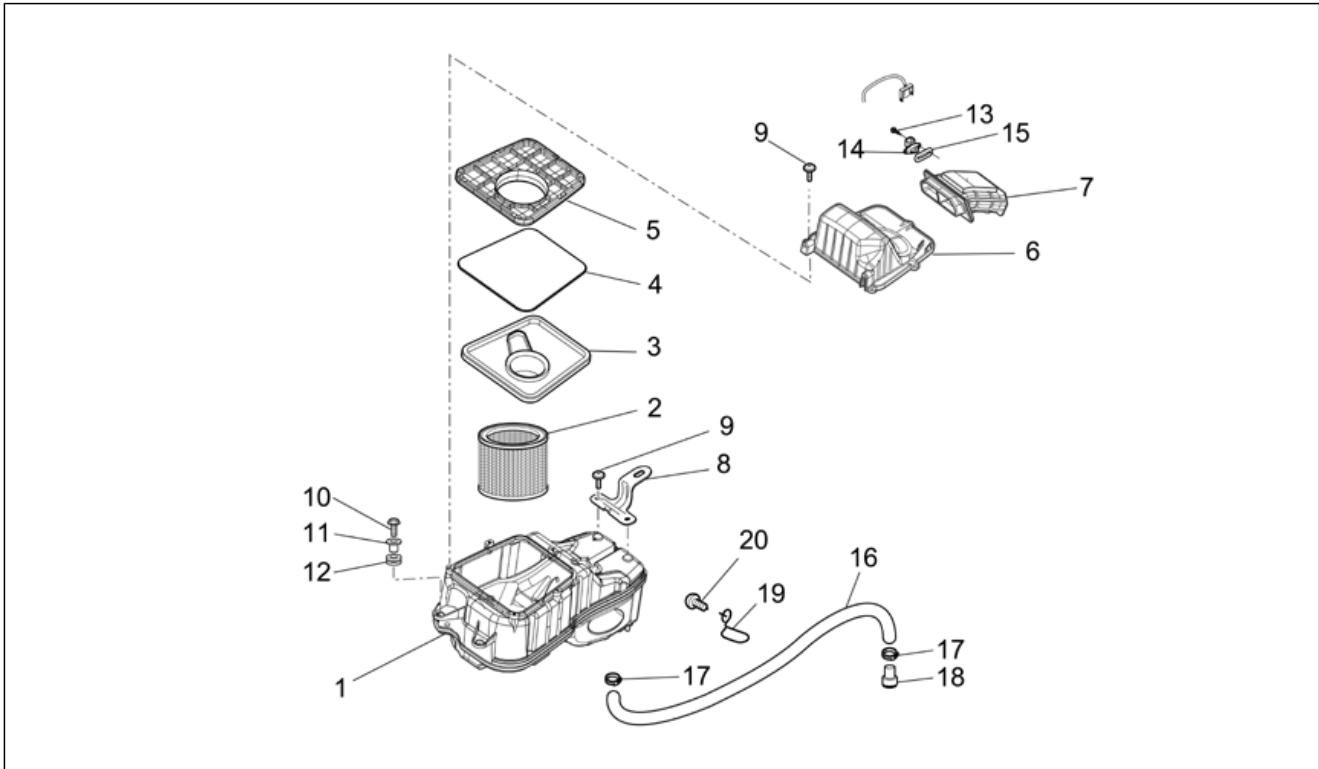
Pos.	Code	Description	Qty	Variants
1	GU05153430	Housing	1	
2	GU05157430	Breather pipe	1	
3	AP8102151	Black hose D12*	1	
4	AP8102520	Hose clamp	2	
5	GU05159630	Breather pipe	1	
6	GU95960609	3-way union	1	
7	AP8150509	Self-tap screw 5x14	2	
8	GU00823955080	Breather pipe	2	
9	AP8101586	Hose clip D.15,5x6,6	2	
10	GU05157630	Breather pipe	1	
11	AP8101588	Hose clip D.24,5x8,6	1	
12	GU93306018	Hose clamp 17X29X8	1	
13	GU05159330	Pipe	1	
14	GU01161331	Reduction	1	
15	GU01154230	Gasket	1	
16	AP8201358	Hose clamp D 11,9	4	
17	AP8102765	White hose clip D.13,5x6	1	

<b>Group</b>	FRAME
<b>Code</b>	33.25
<b>Description</b>	Fuel supply
<b>Service</b>	1



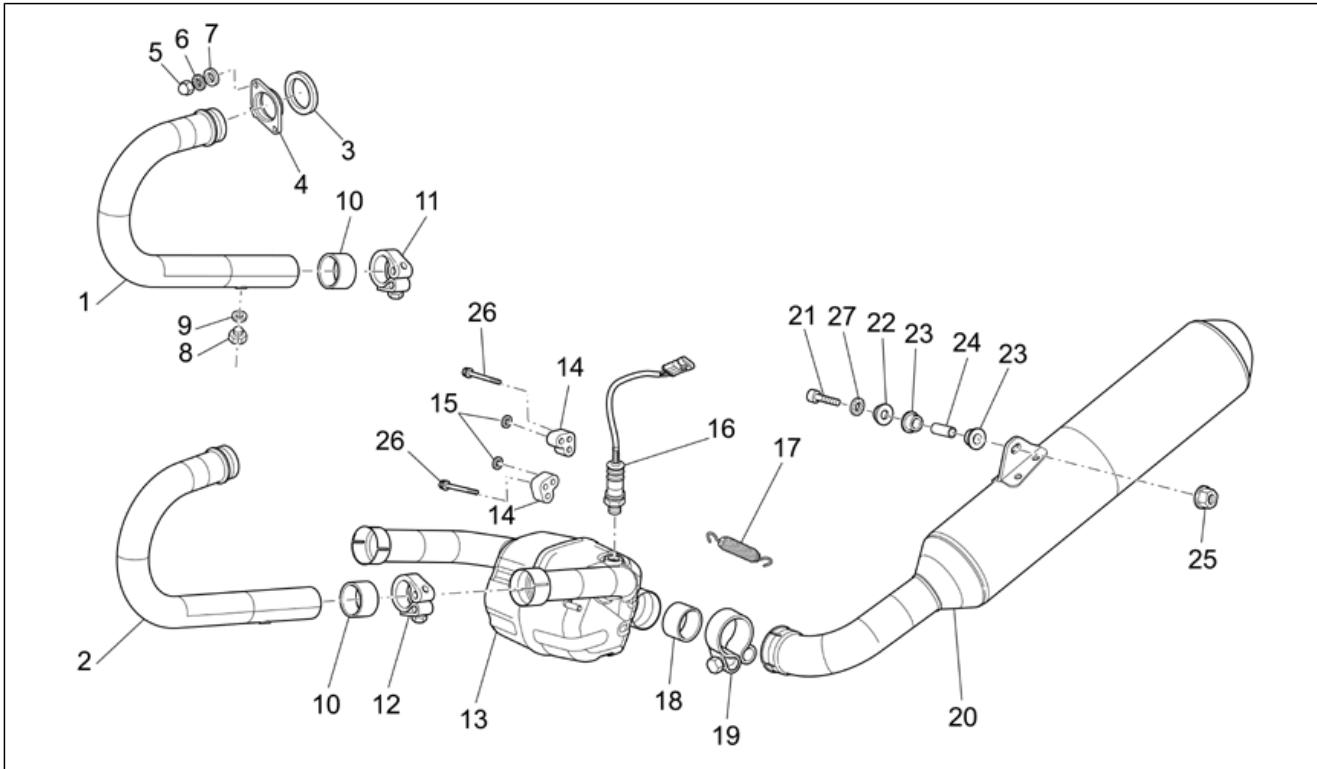
Pos.	Code	Description	Qty	Variants
1	AP8152298	Screw w/ flange M5x16	2	
2	AP8152273	Screw w/ flange M5x16	4	
3	GU01106692	Joint	1	<b>Technical Specifications:</b> First series[1A]
4	AP8102764	White hose clip d.13x6	1	<b>Technical Specifications:</b> First series[1A]
5	AP8144069	Fuel pipe 6x13	3	<b>Technical Specifications:</b> First series[1A]
6	AP8120116	3-way union	1	<b>Technical Specifications:</b> First series[1A]
7	AP8102239	Hose clamp 12,5x8	5	<b>Technical Specifications:</b> First series[1A]
8	GU05135930	pipe	1	
9	AP8152274	Screw w/ flange M5x20	2	
10	977149	Fuel pipe, cpl.	1	<b>Technical Specifications:</b> Second series[2A]

<b>Group</b>	FRAME
<b>Code</b>	33.26
<b>Description</b>	Air box
<b>Service</b>	1



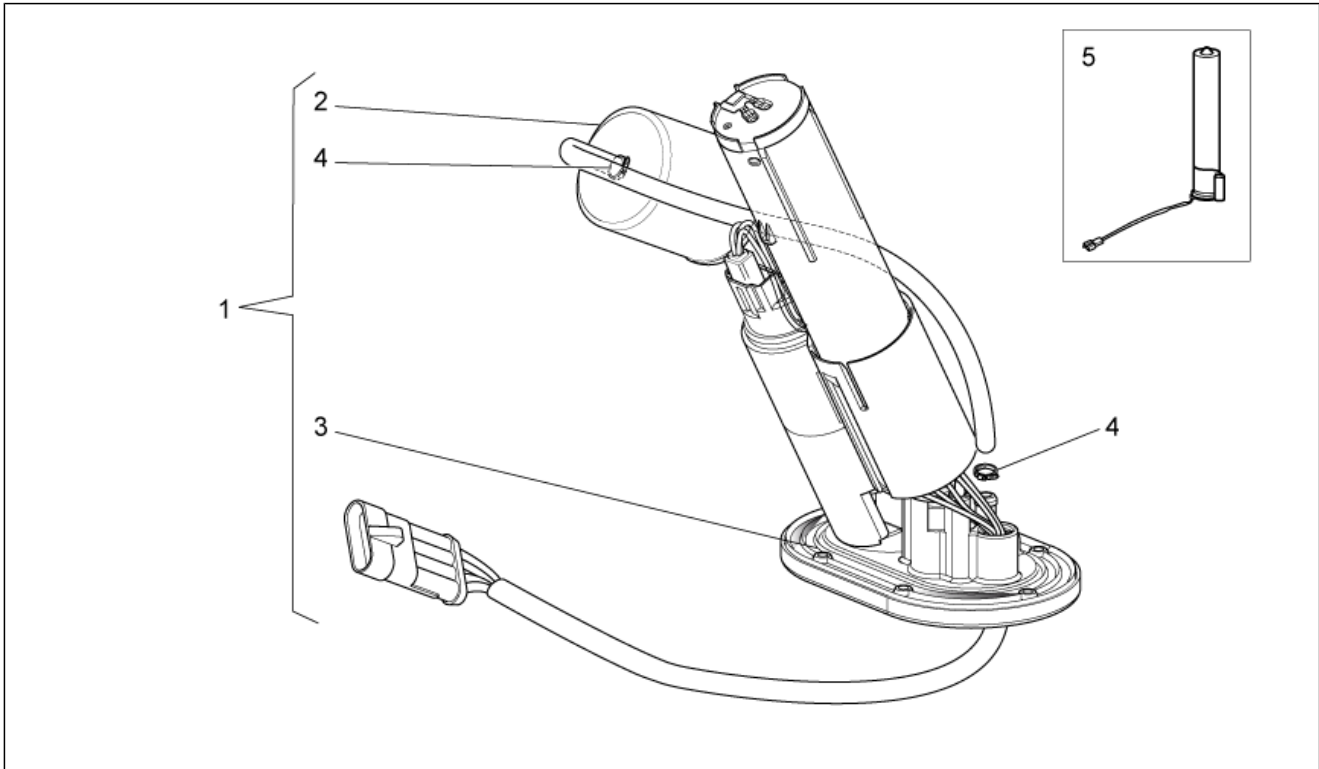
Pos.	Code	Description	Qty	Variants
1	GU05114031	Air box	1	
2	AP8104211	Air filter	1	
3	GU05113730	Protection	1	
4	AP8120615	Gasket D3	1	
5	GU05103830	Adhesive sponge	1	
6	GU05113530	Cover	1	
7	AP8144164	Intake hose	1	
8	GU05114130	Air box support	1	
9	AP8152329	Phillips screw, SWP M5x20	7	
10	AP8152279	Screw w/ flange M6x20	2	
11	AP8221023	T bush	2	
12	AP8120030	Rubber spacer	2	
13	AP8150421	Self-tap screw 2,9x12	2	
14	GU30729330	Air temp. Sensor	1	
15	GU30027931	Gasket	1	
16	AP8144038	Fuel pipe 6x10	1	
17	AP8101595	Hose clamp D10,1	2	
18	AP8120876	Plug	1	
19	AP8120428	Cable-guide	1	
20	AP8152278	Screw w/ flange M6x16	1	

<b>Group</b>	FRAME
<b>Code</b>	33.27
<b>Description</b>	Exhaust unit
<b>Service</b>	1



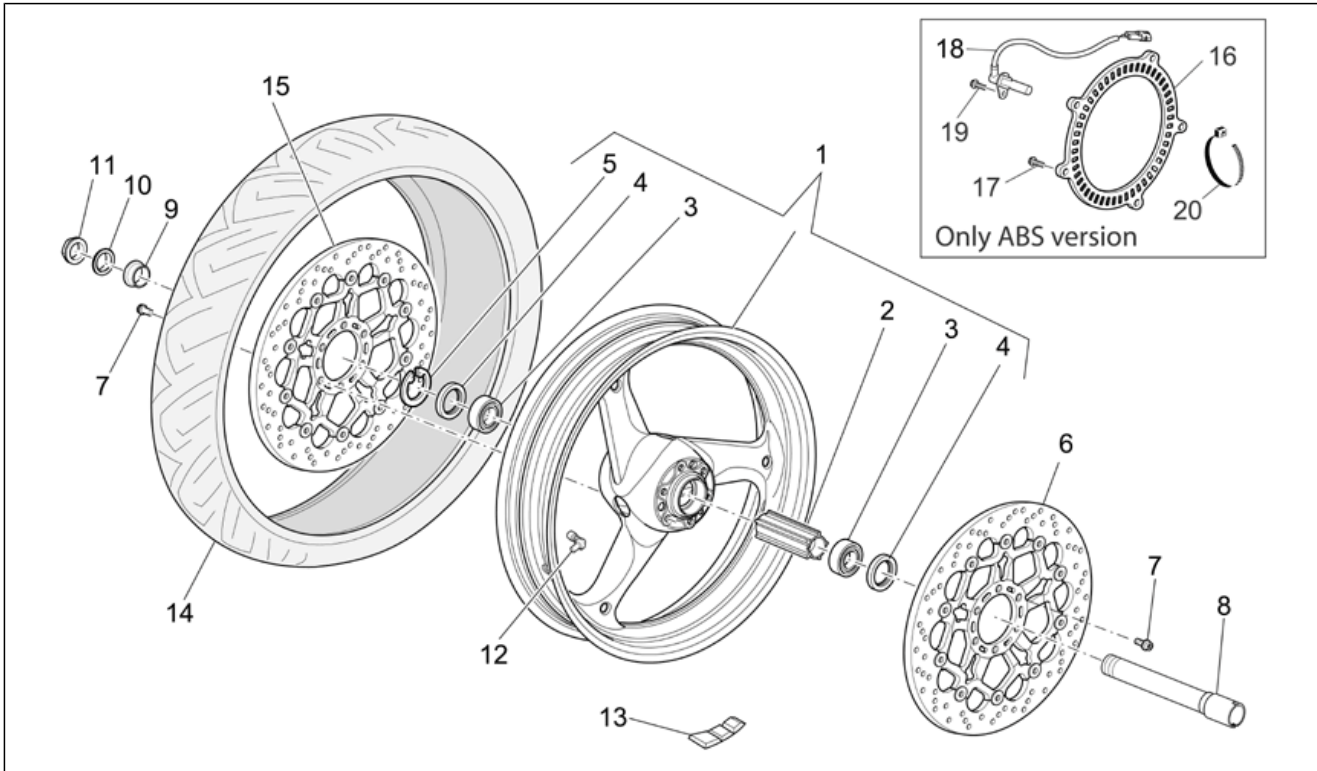
Pos.	Code	Description	Qty	Variants
1	GU05120930	RH exhaust pipe	1	
2	GU05120931	LH exhaust pipe	1	
3	GU90718370	Gasket	2	
4	GU01121030	Flange	2	
5	GU92787008	Cap nut M8x1,25	4	
6	GU14615901	Washer 8,4X13X0,8	4	
7	GU95005308	Washer 8,4x14,57x1,6	4	
8	GU98110007	Cover	2	
9	GU30109330	Gasket	2	
10	GU05121630	Gasket	2	
11	976522	RH hose clamp	1	
12	976523	LH hose clamp	1	
13	GU05123930	Expansion chamber	1	
14	GU05124230	Rubber spacer	2	
15	GU90274008	Washer for shafts D8	4	
16	GU32727010	Lamda sensor	1	
17	AP8121170	Spring	1	
18	GU05128230	Gasket	1	
19	976521	Hose clamp	1	
20	GU05122930	Silencer	1	
21	GU98680445	Hex socket screw	1	
22	AP8134378	Silencer fixing bush	1	
23	AP8144071	Rubber exhaust	2	
24	883079	Spacer	1	
25	GU92650138	Nut M8x1,25	1	
26	GU05124330	screw	2	
27	GU95005312	Washer 8,5x24x2	1	

<b>Group</b>	FRAME
<b>Code</b>	33.28
<b>Description</b>	Internal fuel pump
<b>Service</b>	1



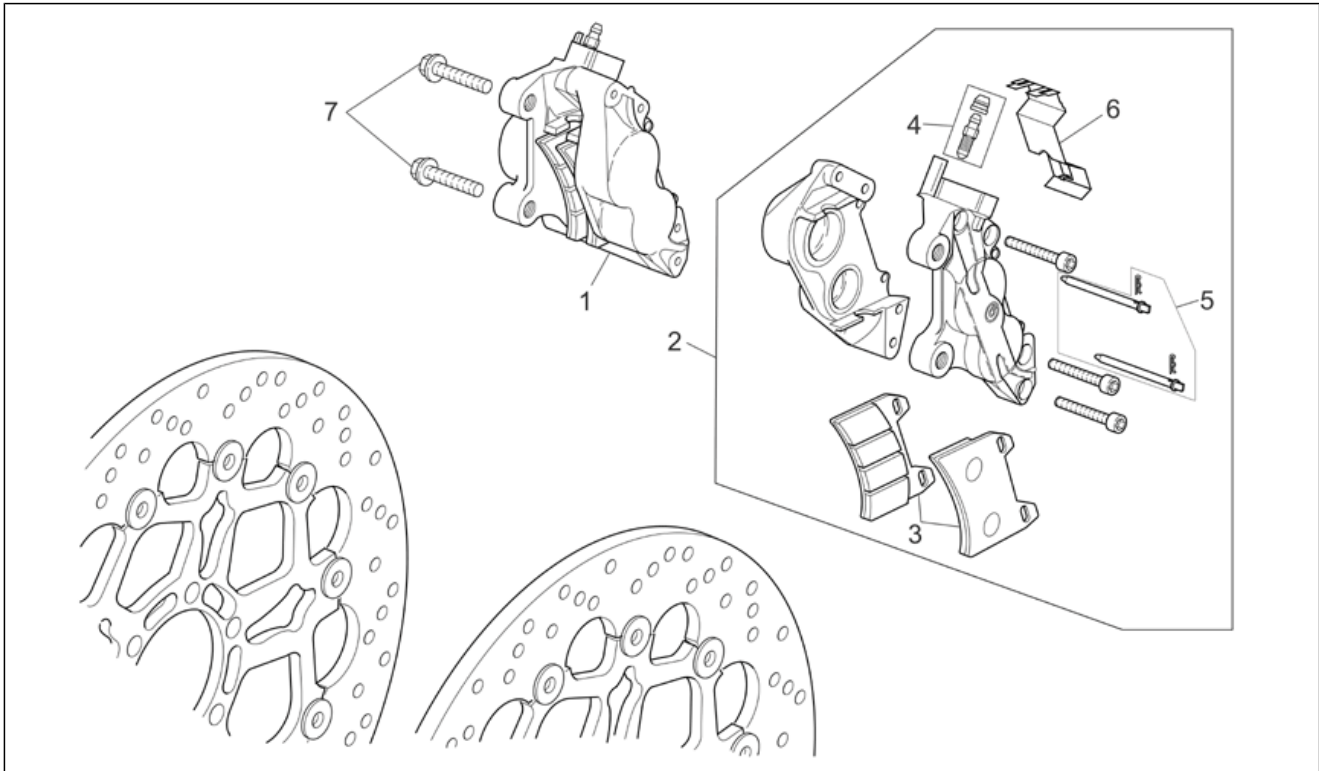
Pos.	Code	Description	Qty	Variants
1	887422	Fuel pump	1	
1	978825	Fuel pump cpl.	1	<b>Country:</b> Canadian[CA], United States of America[USA] <b>Technical Specifications:</b> Fuel pump code on the flange 978825[P2]
1	GU05107230	Fuel pump cpl.	1	<b>Technical Specifications:</b> Fuel pump. cod. on flange 05107230 - If code 05107230 is present on the flange. Otherwise, order the complete pump[P1]
2	GU01106090	Fuel filter	1	<b>Technical Specifications:</b> Fuel pump. cod. on flange 05107230 - If code 05107230 is present on the flange. Otherwise, order the complete pump[P1]
3	GU05107430	Gasket	1	<b>Technical Specifications:</b> Fuel pump. cod. on flange 05107230 - If code 05107230 is present on the flange. Otherwise, order the complete pump[P1]
4	GU01108490	Hose clamp 11,3	4	<b>Technical Specifications:</b> Fuel pump. cod. on flange 05107230 - If code 05107230 is present on the flange. Otherwise, order the complete pump[P1]
5	AP8127817	Fuel level sensor	1	<b>Technical Specifications:</b> Fuel pump. cod. on flange 05107230 - If code 05107230 is present on the flange. Otherwise, order the complete pump[P1]

<b>Group</b>	FRAME
<b>Code</b>	33.29
<b>Description</b>	Front wheel
<b>Service</b>	1



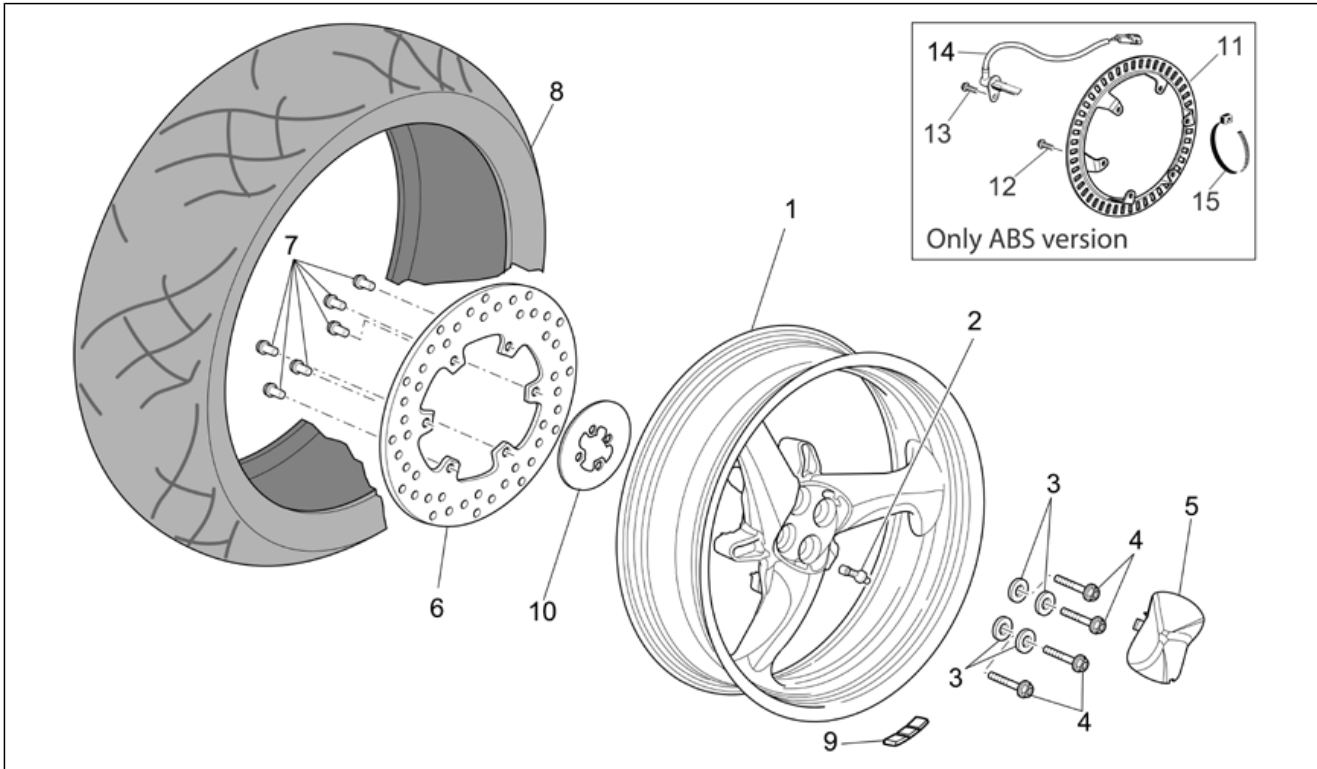
Pos.	Code	Description	Qty	Variants
1	883883	Front wheel, dark grey 3,5X17"	1	<b>Technical Specifications:</b> Marchiato ZCV[ZCV]
1	GU05610530	Front wheel, dark grey 3,5x17"	1	<b>Technical Specifications:</b> Marchio Brembo[BR]
2	GU05615230	Spacer	1	
3	AP8125777	Ball bearing 25x47x12	2	
4	AP8125773	Gasket ring 30x47x7	2	
5	AP8125779	Circlip	1	
6	GU05613330	Front brake disc, gold 320	1	
7	GU05611430	screw	12	
8	GU05614130	Front wheel spindle	1	
9	AP8125791	Spacer	1	
10	GU95005325	Washer 25,2X36X1	1	
11	GU01612190	Nut	1	
12	GU03617710	Tubeless tyre valve	1	
13	GU14616150	Counterweight	1	
14	0000000	Tyre	1	
15	GU05613330	Front brake disc, gold 320	1	<b>Technical Specifications:</b> Version without ABS[std]
15	GU05613335	Front brake disc, gold 320	1	<b>Technical Specifications:</b> ABS version[abs]
16	GU05681430	Wheel speed sensor, left front	1	<b>Technical Specifications:</b> ABS version[abs]
17	GU98250510	Screw	5	<b>Technical Specifications:</b> ABS version[abs]
18	AP8127469	Sensor abs	1	<b>Technical Specifications:</b> ABS version[abs]
19	AP8152278	Screw w/ flange M6x16	1	<b>Technical Specifications:</b> ABS version[abs]
20	GU49609601	Hose clamp 2,4x92	1	<b>Technical Specifications:</b> ABS version[abs]

<b>Group</b>	FRAME
<b>Code</b>	33.30
<b>Description</b>	Front brake caliper
<b>Service</b>	1



Pos.	Code	Description	Qty	Variants
1	GU05652330	RH Front brake caliper, gold	1	
2	GU05652230	LH Front brake caliper, gold	1	
3	GU01654630	Pads pair	2	
4	GU05659230	Bleeder+cap	2	
5	GU01659130	Pins+Caliper springs	2	
6	GU01659131	Spring	2	
7	AP8152385	Hex socket screw M10x1,25	4	

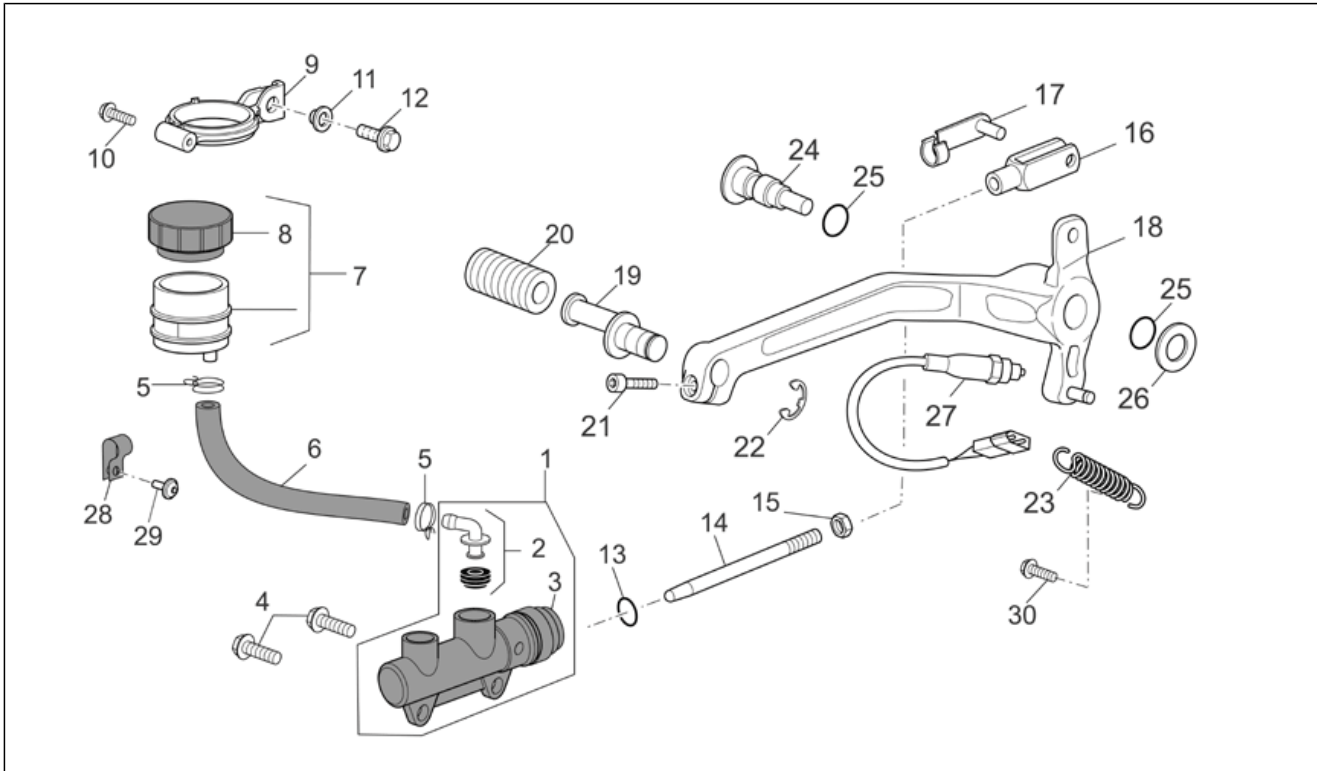
<b>Group</b>	FRAME
<b>Code</b>	33.31
<b>Description</b>	Rear wheel
<b>Service</b>	1



Pos.	Code	Description	Qty	Variants
1	883886	Rear wheel, grey 5,5X17"	1	<b>Technical Specifications:</b> ABS version[abs], Marchiato ZCV[ZCV]
1	GU05630530	Rear wheel, grey 5,5x17"	1	<b>Technical Specifications:</b> Version without ABS[std]
1	GU05630531	Rear wheel, grey 5,5x17"	1	<b>Technical Specifications:</b> ABS version[abs], Marchio Brembo[BR]
2	GU03617710	Tubeless tyre valve	1	
3	GU05632730	Conical bush	4	
4	GU97202665	Screw w/ flange M12x65	4	
5	GU05634430	Cover	1	
6	GU05635730	Rear brake disc	1	
7	GU30611460	screw	6	
8	0000000	Tyre	1	
9	GU14616150	Counterweight	1	
10	977056	Dust cover ring	1	<b>Technical Specifications:</b> From the chassis ZGULP00046M113814[T3]
11	GU05681530	Wheel speed sensor, left front	1	<b>Technical Specifications:</b> ABS version[abs]
12	AP8152272	Screw w/ flange M5x12	6	<b>Technical Specifications:</b> ABS version[abs]
13	AP8152278	Screw w/ flange M6x16	1	<b>Technical Specifications:</b> ABS version[abs]
14	GU05683730	Sensor	1	<b>Technical Specifications:</b> ABS version[abs]
15	GU49609601	Hose clamp 2,4x92	1	<b>Technical Specifications:</b> ABS version[abs]

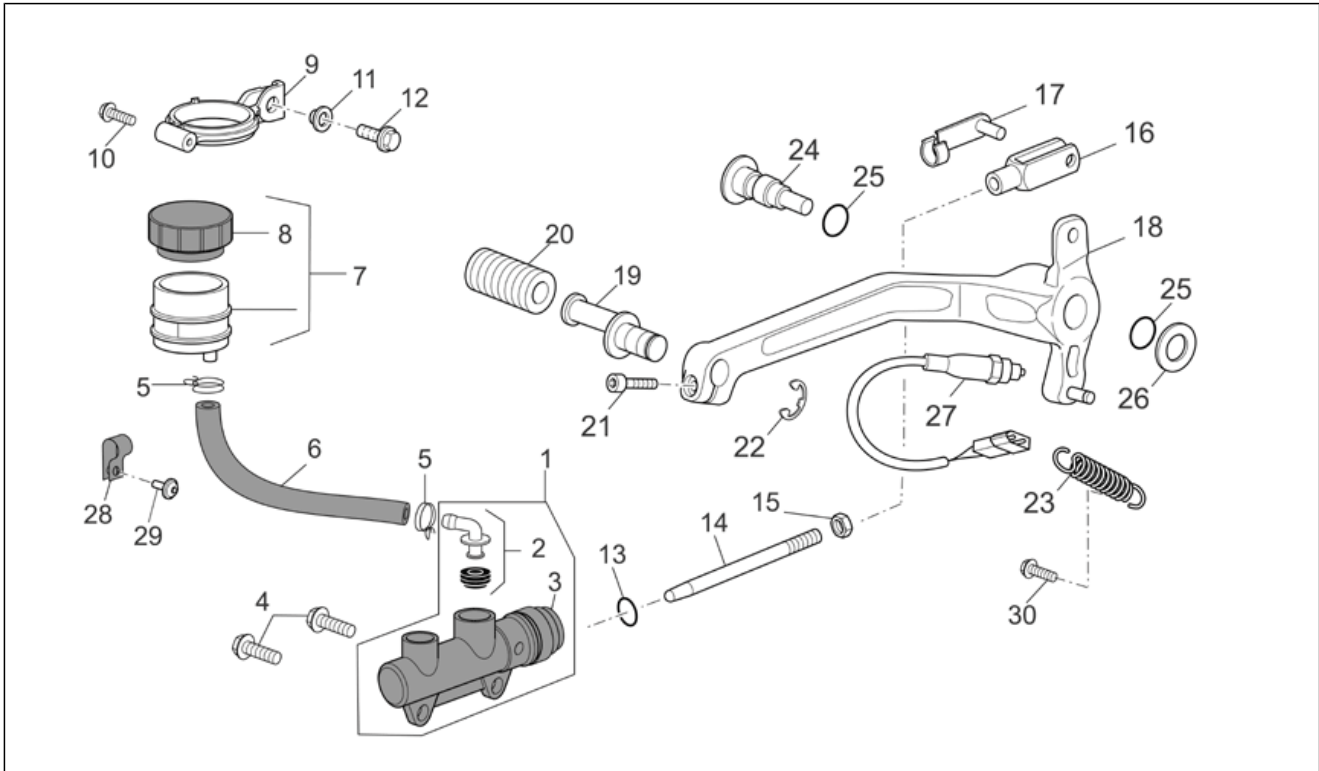


<b>Group</b>	FRAME
<b>Code</b>	33.32
<b>Description</b>	Rear master cylinder
<b>Service</b>	1



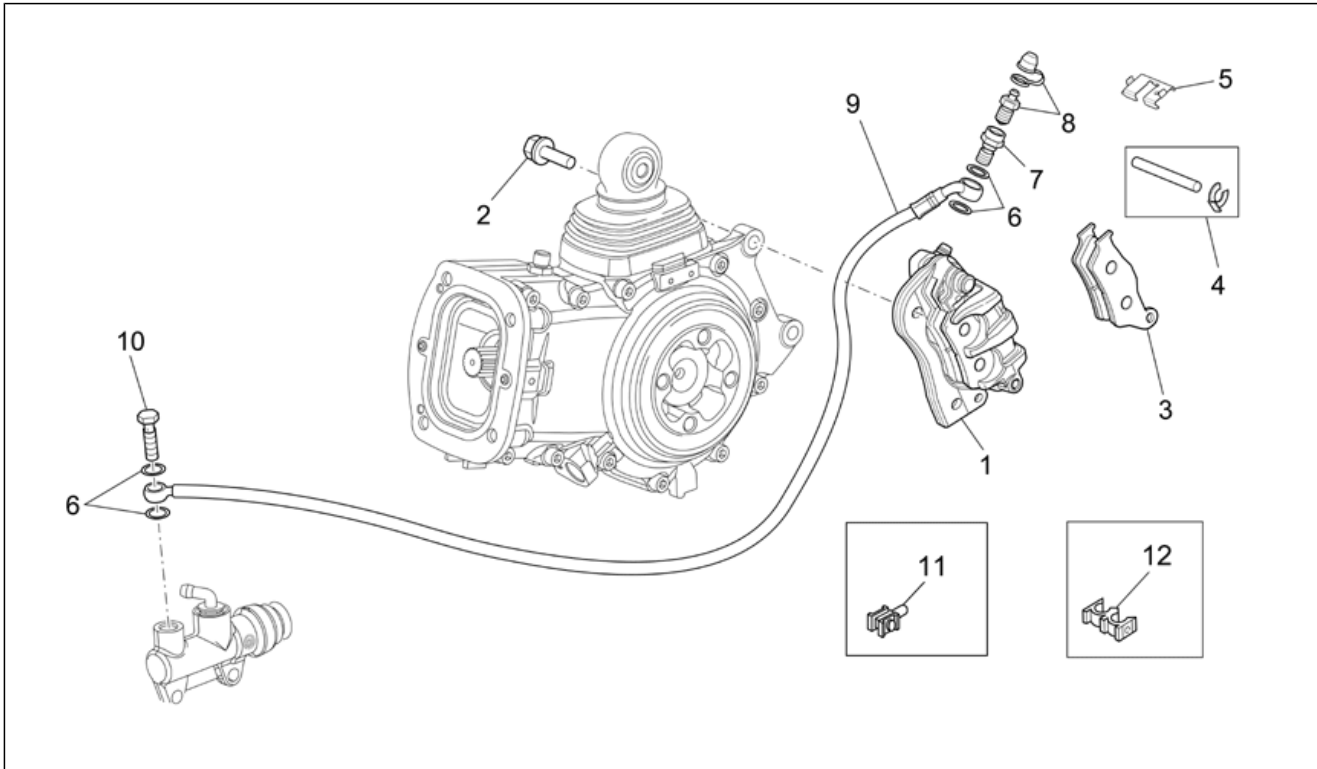
Pos.	Code	Description	Qty	Variants
1	GU0566930	Rear master cylinder	1	
2	AP8113594	Rear brake pump union	1	
3	AP8113288	Rubber bellows	1	
4	AP8152279	Screw w/ flange M6x20	2	
5	AP8101595	Hose clamp D10,1	2	
6	GU00823950050	Oil pipe	1	
7	GU05663530	Brake oil tank complete	1	
8	GU17661052	Tank cap	1	
9	GU05666030	Tank support	1	
10	AP8152329	Phillips screw, SWP M5x20	1	
11	AP8221145	T bush *	1	
12	AP8152278	Screw w/ flange M6x16	1	
13	AP8120178	O-ring OR112	1	
14	977041	Master cylinder rod	1	
15	GU92606206	Nut	1	
16	AP8101968	Fork	1	
17	AP8201301	Gear selector fork clips	1	
18	GU05677030	Rear brake lever	1	
19	AP8121221	Brake lever pin	1	
20	AP8120912	Lever rubber	1	
21	GU98682316	Hex socket screw M6x16	1	
22	AP8150462	Circlip d9	1	
23	AP8121927	Rear brake lever spring	1	
24	884033	Rear brake lever pin	1	
25	AP8144007	O-ring 11,11x1,78	2	
26	GU95008310	Washer 10,5x22x2,5	1	
27	AP8112996	clutch switch	1	
28	AP8102151	Black hose D12*	1	

<b>Group</b>	FRAME
<b>Code</b>	33.32
<b>Description</b>	Rear master cylinder
<b>Service</b>	1



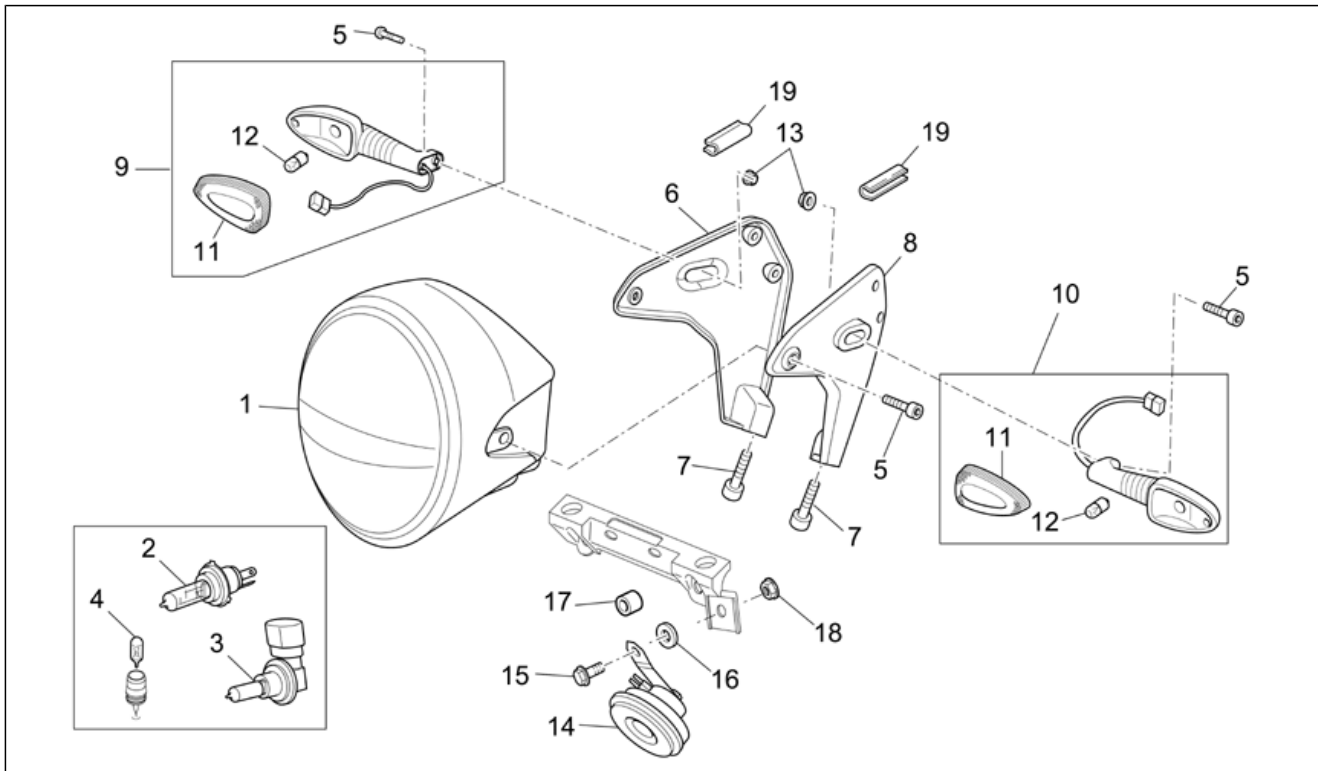
Pos.	Code	Description	Qty	Variants
29	GU98350210	Hex socket screw	1	
30	AP8152273	Screw w/ flange M5x16	1	

<b>Group</b>	FRAME
<b>Code</b>	33.33
<b>Description</b>	Rear brake caliper
<b>Service</b>	1



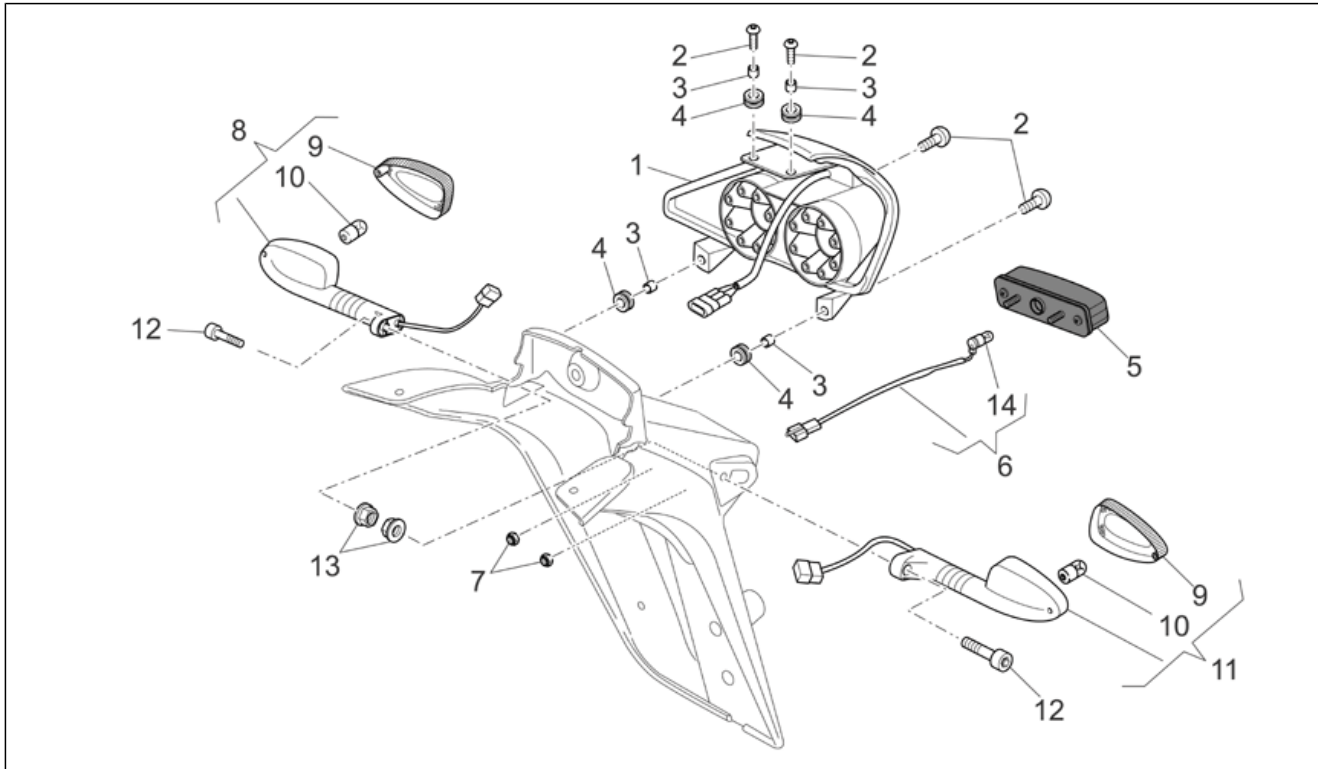
Pos.	Code	Description	Qty	Variants
1	GU05653030	Rear brake caliper, gold	1	
2	AP8152320	Screw w/ flange	2	
3	GU05654630	Pads pair	1	
4	GU05659130	Pin+split pin	1	
5	GU05659030	Spring	1	
6	GU25656100	Gasket	4	
7	AP8133597	screw	1	
8	AP8213113	Bleeder+cap	1	
9	GU05657530	Rear brake hose	1	<b>Technical Specifications:</b> Version without ABS[std]
10	AP8133594	Oil pipe screw	1	
11	AP8202238	Cable-guide hook	4	
12	AP8201808	Cable-guide D8	4	<b>Technical Specifications:</b> Version without ABS[std]
12	GU05436530	Cable-guide D5	4	<b>Technical Specifications:</b> ABS version[abs]

<b>Group</b>	FRAME
<b>Code</b>	33.34
<b>Description</b>	Headlight/Horn
<b>Service</b>	1



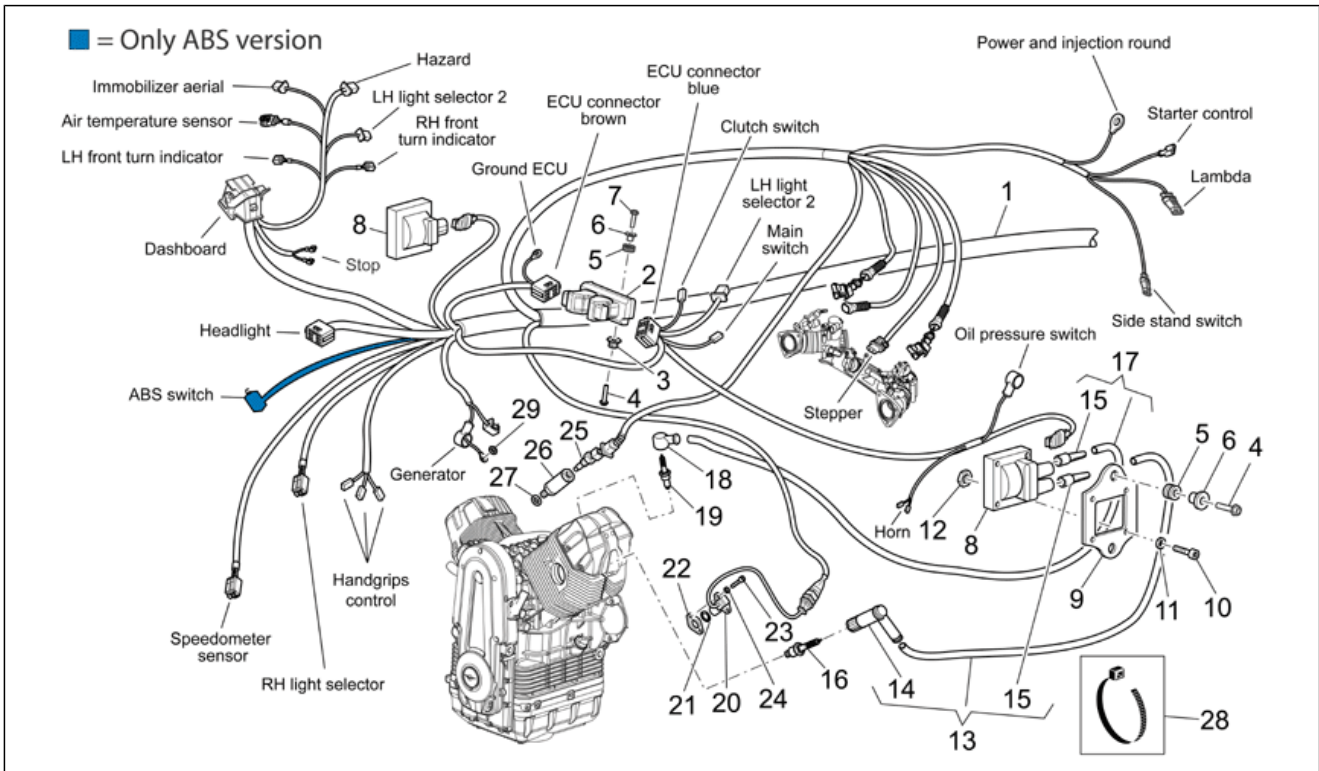
Pos.	Code	Description	Qty	Variants
1	GU05740530	Headlight	1	<b>Country:</b> Other country Europe[EU]
1	GU05740531	Cpl headlightsteering headligh	1	<b>Country:</b> Australia[AUS], Japan[J], Great Britain[UK]
1	GU05740532	Headlight	1	<b>Country:</b> Canadian[CA], United States of America[USA]
2	AP8127109	Lamp H7-12V-55W	1	
3	GU93450265	Lamp H9-12V-65W	1	
4	GU93450105	Lamp	1	
5	GU98692318	Hex socket screw	4	
6	GU05578630	RH support	1	
7	GU98682435	Hex socket screw	2	
8	GU05578631	LH support	1	
9	AP8127514	RH front turn indicator	1	
10	AP8127515	LH front turn indicator	1	
11	AP8127552	Turn indicator lens	2	
12	GU93450126	Lamp, orange	2	
13	GU92630206	Nut M6x1	2	
14	GU05743730	Horn	1	
15	AP8152285	Screw w/ flange	1	<b>Technical Specifications:</b> Third series[3A]
15	AP8152286	Screw w/ flange M8x20	1	<b>Technical Specifications:</b> Second series[2A]
15	AP8152290	Screw w/ flange M8x40	1	<b>Technical Specifications:</b> First series[1A]
16	GU95100244	Washer	1	<b>Technical Specifications:</b> Second series[2A]
17	GU91120822	Spacer	1	<b>Technical Specifications:</b> First series[1A]
18	AP8152300	Self-locking nut M8	1	
19	AP8144707	Gasket	2	

<b>Group</b>	FRAME
<b>Code</b>	33.35
<b>Description</b>	Taillight
<b>Service</b>	1



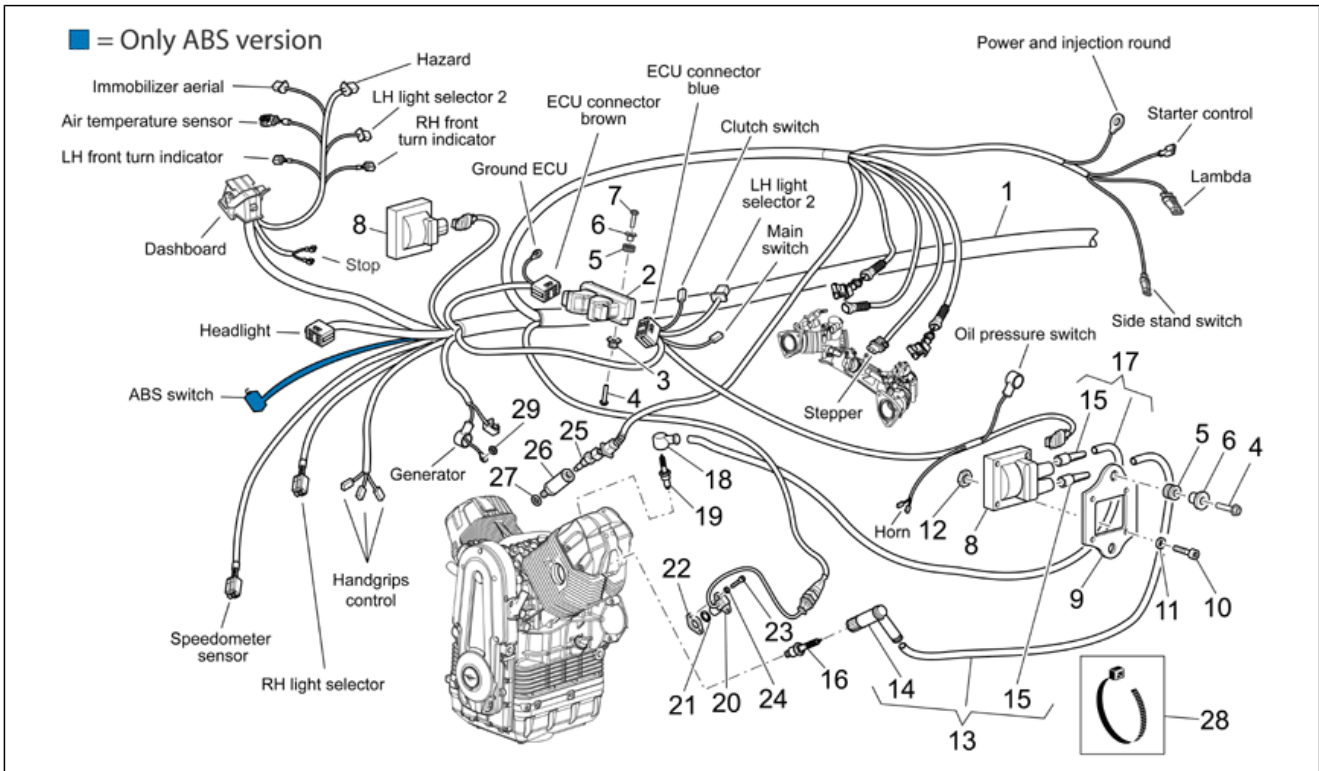
Pos.	Code	Description	Qty	Variants
1	GU05740930	Taillight	1	
2	AP8152298	Screw w/ flange M5x16	4	
3	AP8221036	Bushing 5,3x8x7,1	4	
4	AP8120405	Rubber spacer	4	
5	AP8212702	Number-plate light	1	
6	AP8124976	Plate light wiring	1	
7	AP8152306	Self-locking nut m5	2	
8	GU05751630	Rear RH turn indicator	1	
9	AP8127552	Turn indicator lens	2	
10	GU93450126	Lamp, orange	2	
11	GU05751730	Rear LH turn indicator	1	
12	GU98692318	Hex socket screw	2	
13	GU92630206	Nut M6x1	2	
14	GU93450105	Lamp	1	

<b>Group</b>	FRAME
<b>Code</b>	33.36
<b>Description</b>	Electrical system I
<b>Service</b>	1



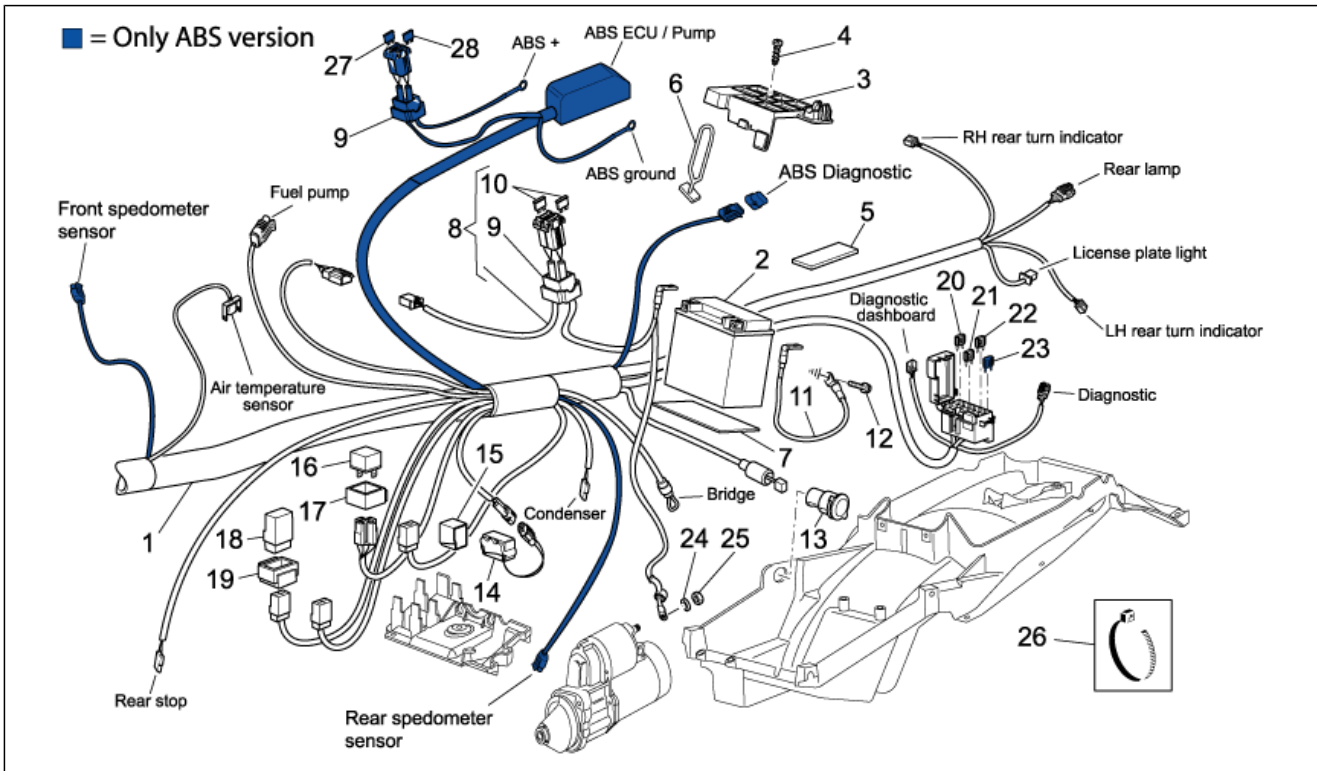
Pos.	Code	Description	Qty	Variants
1	978223	Main wiring harness	1	Year:2007[7] Technical Specifications:Version without ABS[std]
1	978244	Main wiring harness	1	Year:2007[7] Technical Specifications:ABS version[abs]
1	GU05747130	Main wiring harness	1	Year:2005[5], 2006[6] Technical Specifications:Version without ABS[std]
1	GU05747131	Main wiring harness	1	Year:2005[5], 2006[6] Technical Specifications:ABS version[abs]
2	GU05729530	ECU	1	Technical Specifications:Version without ABS[std]
2	GU05729535	ECU	1	Technical Specifications:ABS version[abs]
3	GU05729230	Bush	2	
4	AP8152279	Screw w/ flange M6x20	6	
5	AP8120030	Rubber spacer	6	
6	AP8221023	T bush	6	
7	AP8152282	Screw w/ flange M6x35	2	
8	GU05716530	HT coil	2	
9	GU05716730	Coil holder	2	
10	GU98682125	Hex socket screw	8	
11	GU95008204	Washer 4,3x8x0,5	8	
12	GU92630104	Nut M4x0,7	8	
13	GU05718330	HT wire	2	
14	GU03717450	Sparkplug cap	2	
15	GU14717600	Cap	4	
16	GU30717061	Spark plug NGK BPR6ES	2	
17	GU05718331	HT wire	2	
18	GU05717430	Sparkplug cap	2	
19	GU05717030	Spark plug NGK PMR8B	2	
20	GU01721600	Phase/revolution sensor	1	
21	GU90706141	O-ring	1	

<b>Group</b>	FRAME
<b>Code</b>	33.36
<b>Description</b>	Electrical system I
<b>Service</b>	1



Pos.	Code	Description	Qty	Variants
22	GU01722700	Gasket 0,3mm	1	
22	GU01722701	Gasket 0,4 mm	1	
22	GU01722702	Gasket 0,6mm	1	
22	GU01722703	Gasket	1	
22	GU01722704	Gasket 1mm	1	
22	GU01722705	Gasket 1,5mm	1	
22	GU29722760	Gasket 0,5 mm	1	
23	GU98682212	Hex socket screw M5x12	2	
24	GU95008205	Washer 5,3x10x0,8	2	
25	GU29729461	Oil temperature sensor	1	
26	GU03163330	Sensor support	1	
27	GU95008210	Washer 10,2X18X2	1	
28	GU14609650	Hose clamp 3,6x20,6	23	
28	GU30609600	Hose clamp 8,8x185	1	
28	GU93304360	Hose clamp 7,6x380	2	
29	AP8152299	Self-locking nut M6	1	

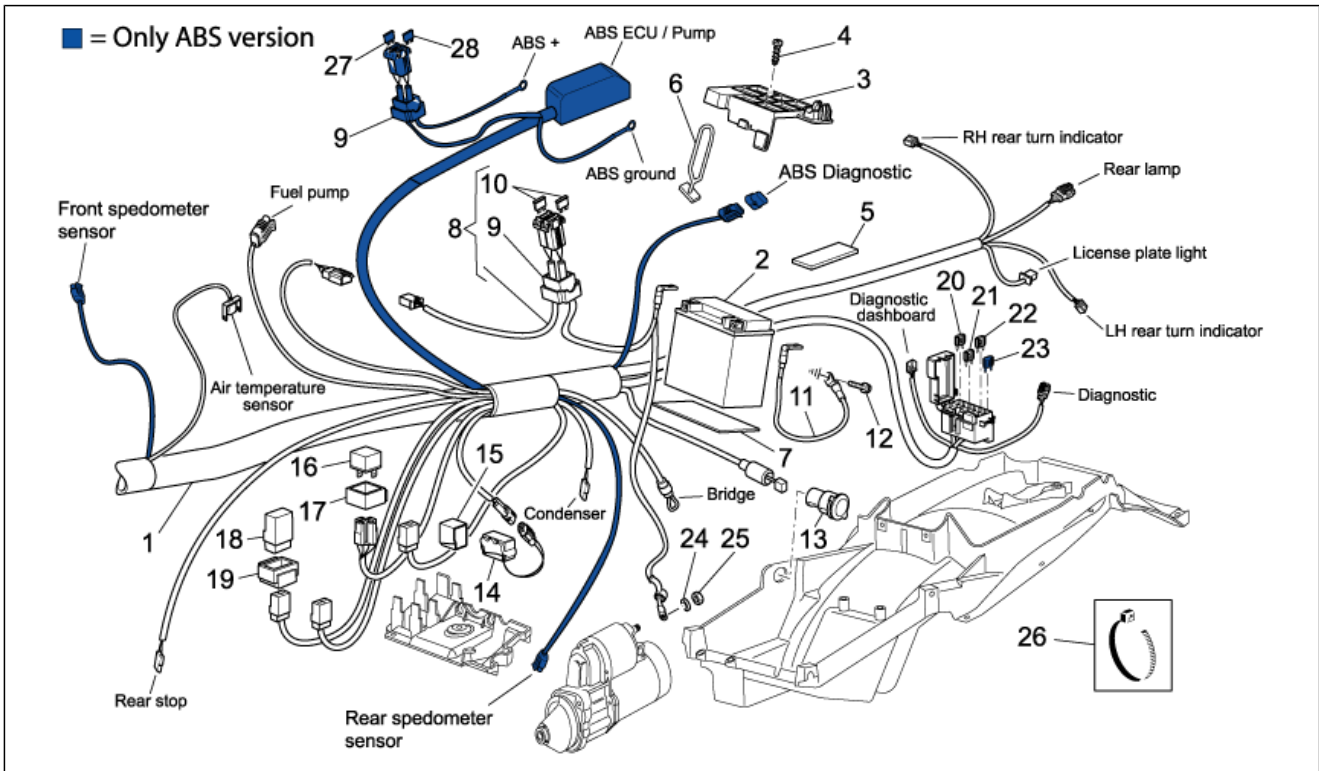
<b>Group</b>	FRAME
<b>Code</b>	33.37
<b>Description</b>	Electrical system II
<b>Service</b>	1



Pos.	Code	Description	Qty	Variants
1	978223	Main wiring harness	1	Year:2007[7] Technical Specifications:Version without ABS[std]
1	978244	Main wiring harness	1	Year:2007[7] Technical Specifications:ABS version[abs]
1	GU05747130	Main wiring harness	1	Year:2005[5], 2006[6] Technical Specifications:Version without ABS[std]
1	GU05747131	Main wiring harness	1	Year:2005[5], 2006[6] Technical Specifications:ABS version[abs]
2	883818	Battery	1	Technical Specifications:Vehicle with YT20-BS battery[B]
2	GU05704531	Battery 12V-20Ah	1	Technical Specifications:Vehicle with YTX20CH-BS battery[A]
3	883819	Battery cover	1	Technical Specifications:Vehicle with YT20-BS battery[B]
3	GU05704630	Battery cover	1	Technical Specifications:Vehicle with YTX20CH-BS battery[A]
4	AP8152329	Phillips screw, SWP M5x20	2	
5	AP8117200	Adhesive sponge	1	
6	AP8120177	Headlight supp.snap	2	
7	AP8144553	Support rubber part	2	
8	GU05747830	Wiring	1	
9	AP8112811	Rubber fuse box	1	Technical Specifications:Version without ABS[std]
9	AP8112811	Rubber fuse box	2	Technical Specifications:ABS version[abs]
10	GU28742562	Fuse 30A	3	
11	978505	Ground-battery lead	1	Technical Specifications:Vehicle with YT20-BS battery[B]
11	GU05747930	Ground-battery lead	1	Technical Specifications:Vehicle with YTX20CH-BS battery[A]
12	AP8152277	Screw w/ flange M6x12	1	
13	AP8124768	Socket	1	
14	AP8124266	Inclination sensor	1	
15	AP8144046	Rubber sensor support	1	
16	AP8124869	Injection relay	1	

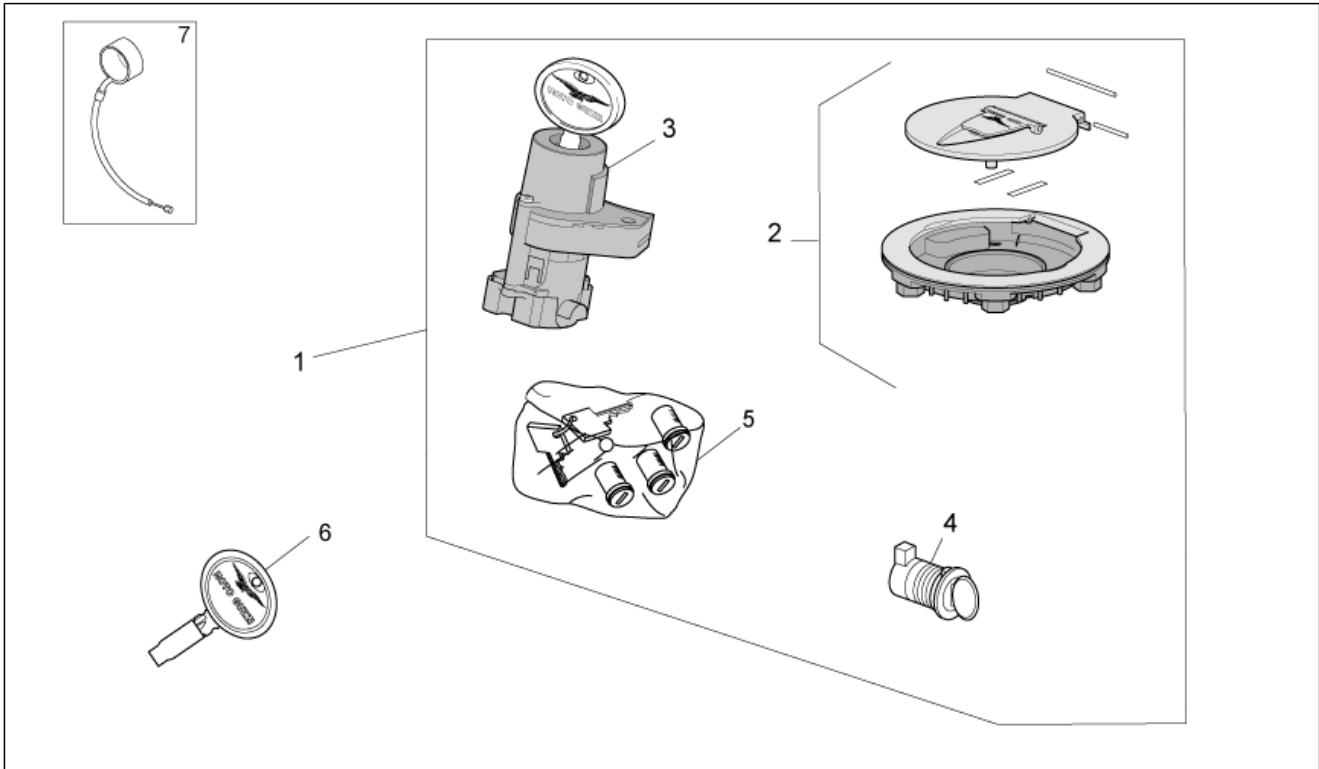


<b>Group</b>	FRAME
<b>Code</b>	33.37
<b>Description</b>	Electrical system II
<b>Service</b>	1



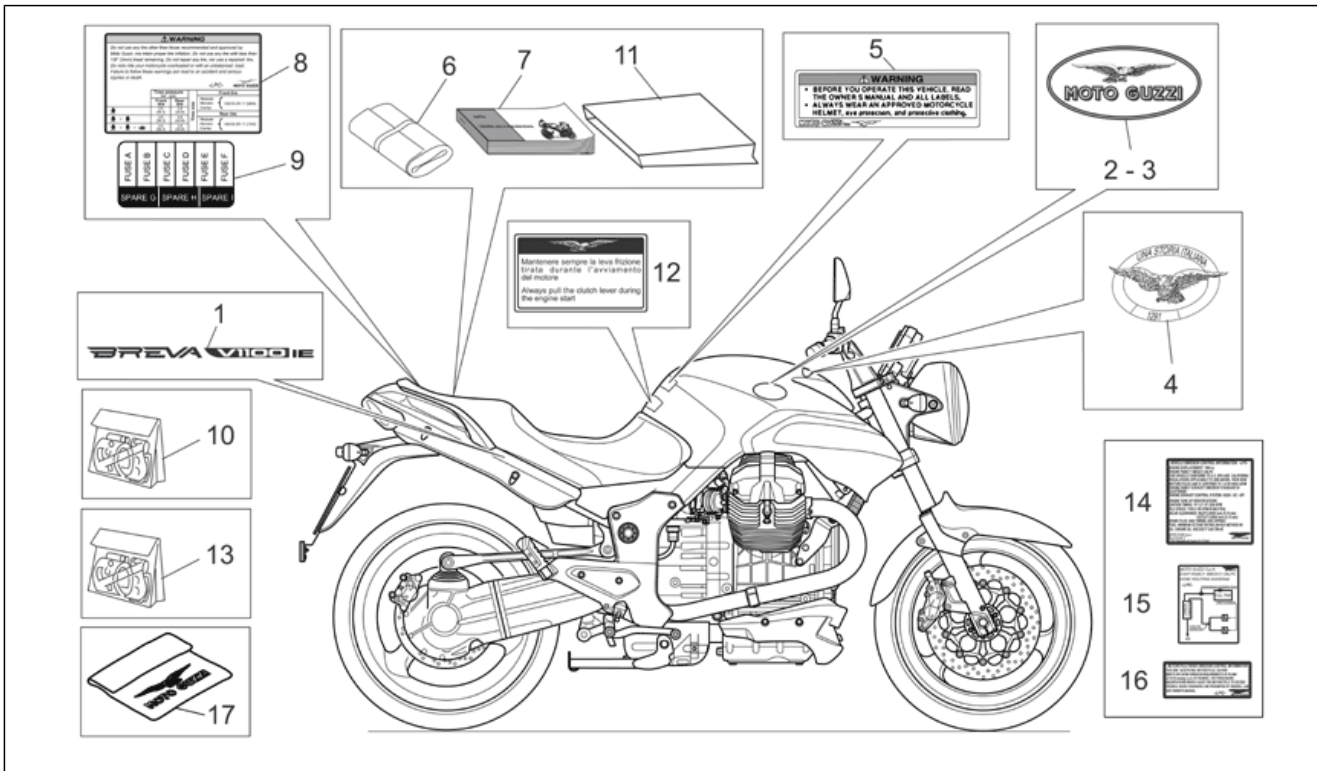
Pos.	Code	Description	Qty	Variants
17	AP8220546	Relay rubber	1	
18	AP8224462	Relay 12V/30A	3	
19	AP8220283	Rubber spacer *	3	
20	977773	Fuse 20A	2	
21	977772	Fuse 15A	4	
22	977769	Fuse 3A	2	
23	977771	Fuse 10A	1	<b>Technical Specifications:</b> ABS version[abs]
24	GU95129131	Washer 8,4x15x1,7	1	
25	GU92609408	Nut M8x1,25	1	
26	GU14609650	Hose clamp 3,6x20,6	23	
26	GU30609600	Hose clamp 8,8x185	1	
26	GU93304360	Hose clamp 7,6x380	2	
27	977761	Fuse ABS-25A	2	<b>Technical Specifications:</b> ABS version[abs]
28	977762	Fuse ABS-40A	2	<b>Technical Specifications:</b> ABS version[abs]

<b>Group</b>	FRAME
<b>Code</b>	33.38
<b>Description</b>	Lock hardware kit
<b>Service</b>	1



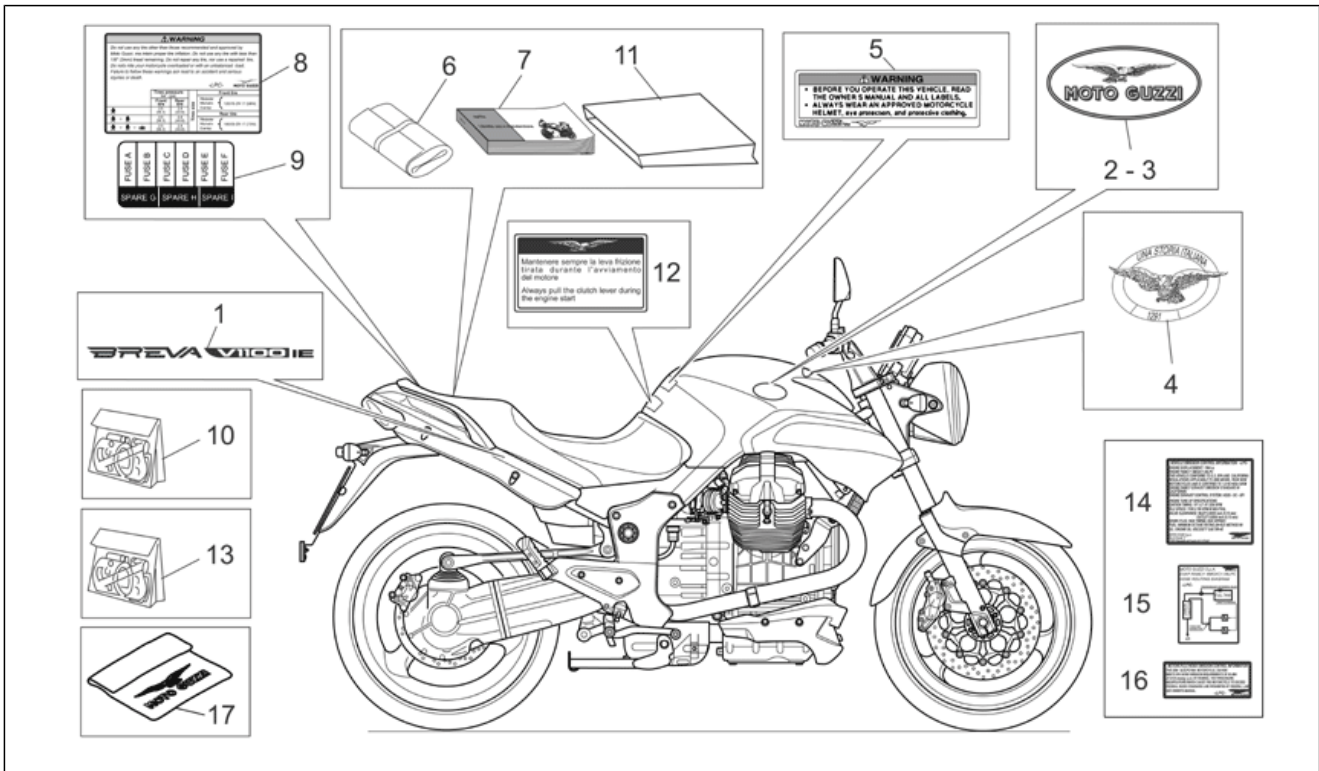
Pos.	Code	Description	Qty	Variants
1	977666	Lock kit	1	Year:2007[7] Country:Australia[AUS], Canadian[CA], Other country Europe[EU], Japan[J], Great Britain[UK]
1	B063858	Lock kit	1	Country:United States of America[USA]
1	GU05736830	Lock kit	1	Year:2005[5], 2006[6] Country:Australia[AUS], Canadian[CA], Other country Europe[EU], Japan[J], Great Britain[UK]
2	GU05103930	Tank cap	1	
3	B063859	Main switch - steering lock	1	Country:United States of America[USA]
3	GU05782530	Main switch - steering lock	1	
4	GU05466830	Saddle lock	1	
5	978220	Rotor kit with key	1	Year:2007[7]
6	GU05735530	Non indented key blank	1	
7	981087	Immobilizer antenna	1	

<b>Group</b>	FRAME
<b>Code</b>	33.39
<b>Description</b>	Plate set-decal-op.handbooks
<b>Service</b>	1



Pos.	Code	Description	Qty	Variants
1	GU05923430	Decal "Brevia V 1100 I.E."	2	Vehicle colour: Diamond Light 2007[d/wh], Orange 2006[or], Race Red 2005-2006[r/re], Sasso del Lario Grey 2005-2006[s/gr]
1	GU05923431	Decal "Brevia V 1100 I.E."	2	Vehicle colour: Guzzi Black 2006-2006[g/bl]
2	GU06917400	LH Name plate, red/gold AL	1	Technical Specifications: Second series[2A]
2	GU32917410	LH Name plate, black/red AL	1	Vehicle colour: Guzzi Black 2006-2006[g/bl], Sasso del Lario Grey 2005-2006[s/gr] Technical Specifications: First series[1A]
2	GU32917412	LH Name plate red/grey AL	1	Vehicle colour: Race Red 2005-2006[r/re] Technical Specifications: First series[1A]
3	GU06917300	RH Name plate, red/gold AL	1	Technical Specifications: Second series[2A]
3	GU32917310	RH Name plate, black/red AL	1	Vehicle colour: Guzzi Black 2006-2006[g/bl], Sasso del Lario Grey 2005-2006[s/gr] Technical Specifications: First series[1A]
3	GU32917312	RH Name plate red/grey AL	1	Vehicle colour: Race Red 2005-2006[r/re] Technical Specifications: First series[1A]
4	GU05917530	Decal "Italian Story"	1	
5	GU30944300	Decal "Attention"	1	
6	GU05909930	Toolkit	1	
7	977472	Operator's handbook I-F-D-NL-E-UK	1	Year: 2006[6] Country: Australia[AUS], Other country Europe[EU], Japan[J], Great Britain[UK]
7	977473	Operator's handbook	1	Year: 2006[6] Country: Canadian[CA], United States of America[USA]
7	978247	Operator's handbook I-F-D-NL-E-UK	1	Year: 2007[7] Country: Australia[AUS], Other country Europe[EU], Japan[J], Great Britain[UK]
7	978248	Operator's handbook	1	Year: 2007[7] Country: Canadian[CA], United States of America[USA]
7	GU05900030	Operator's handbook	1	Country: Australia[AUS], Other country Europe[EU], Japan[J], Great Britain[UK] Technical Specifications: Version without ABS[std]

<b>Group</b>	FRAME
<b>Code</b>	33.39
<b>Description</b>	Plate set-decal-op.handbooks
<b>Service</b>	1



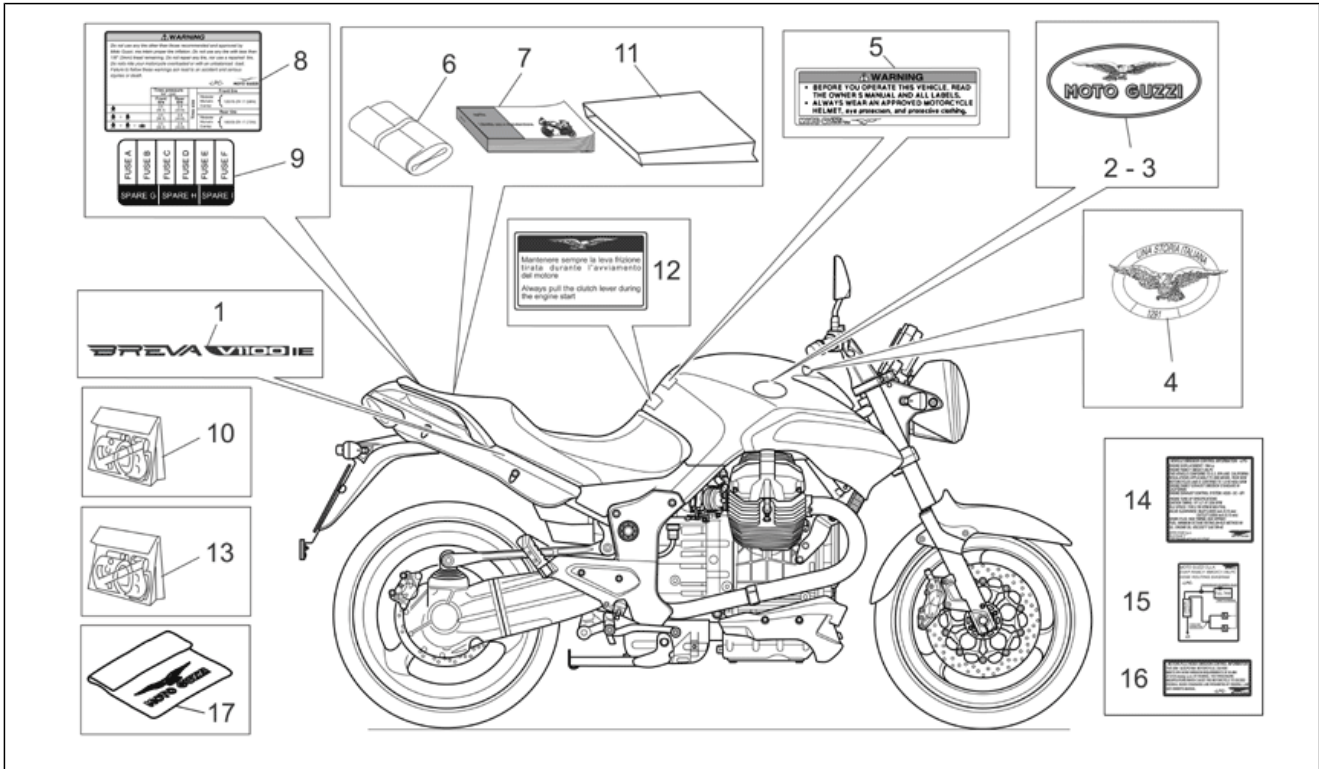
Pos.	Code	Description	Qty	Variants
7	GU05900031	Operator's handbook	1	Year:2006[6] Country:United States of America[USA] Technical Specifications:Version without ABS[std]
8	GU05926030	Tyre pressure decal	1	
9	GU05945030	Sticker "schema fusibili"	1	
10	977763	Decal set	1	Vehicle colour:Diamond Light 2007[d/wh], Orange 2006[or]
10	977763	Decal set	1	Vehicle colour:Race Red 2005-2006[r/re], Sasso del Lario Grey 2005-2006[s/gr] Technical Specifications:Second series[2A]
10	GU05923331	Decal set	1	Vehicle colour:Race Red 2005-2006[r/re] Technical Specifications:First series[1A]
10	GU05923332	Decal set	1	Vehicle colour:Guzzi Black 2006-2006[g/bl]
10	GU05923333	Decal set	1	Vehicle colour:Sasso del Lario Grey 2005-2006[s/gr] Technical Specifications:First series[1A]
11	GU05900130	Bag for document	1	
12	GU05944930	Decal Engine Start	1	
13	GU05923330	Technical decal set	1	Country:Canadian[CA], United States of America[USA]
14	977579	Emission control sticker	1	Year:2007[7] Country:Canadian[CA], United States of America[USA] Technical Specifications:From the chassis ZGULPC0047M113962[T2]
14	GU05943930	Emission control sticker	1	Year:2006[6] Country:United States of America[USA] Technical Specifications:Up to chassis ZGULPC0047M113961[T1]
15	977577	Carbon filter sticker	1	Year:2007[7] Country:Canadian[CA], United States of America[USA] Technical Specifications:From the chassis ZGULPC0047M113962[T2]
15	GU05944030	Carbon filter sticker	1	Year:2006[6] Country:United States of America[USA]



BREVA  
GU077 - Brevia V IE 1100 2005-2007

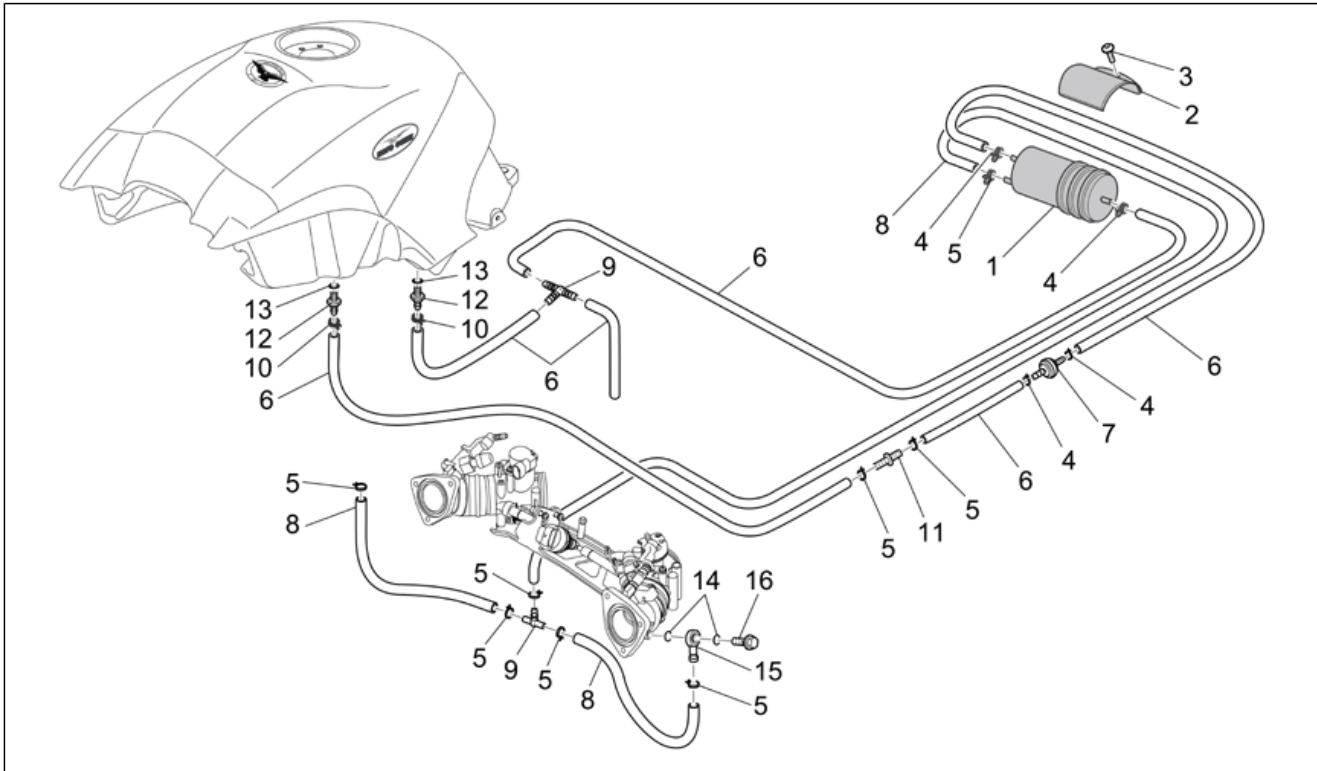
Chassis prefix: ZGULPO, ZGULPA, ZGULPC  
Engine prefix:

<b>Group</b>	FRAME
<b>Code</b>	33.39
<b>Description</b>	Plate set-decal-op.handbooks
<b>Service</b>	1



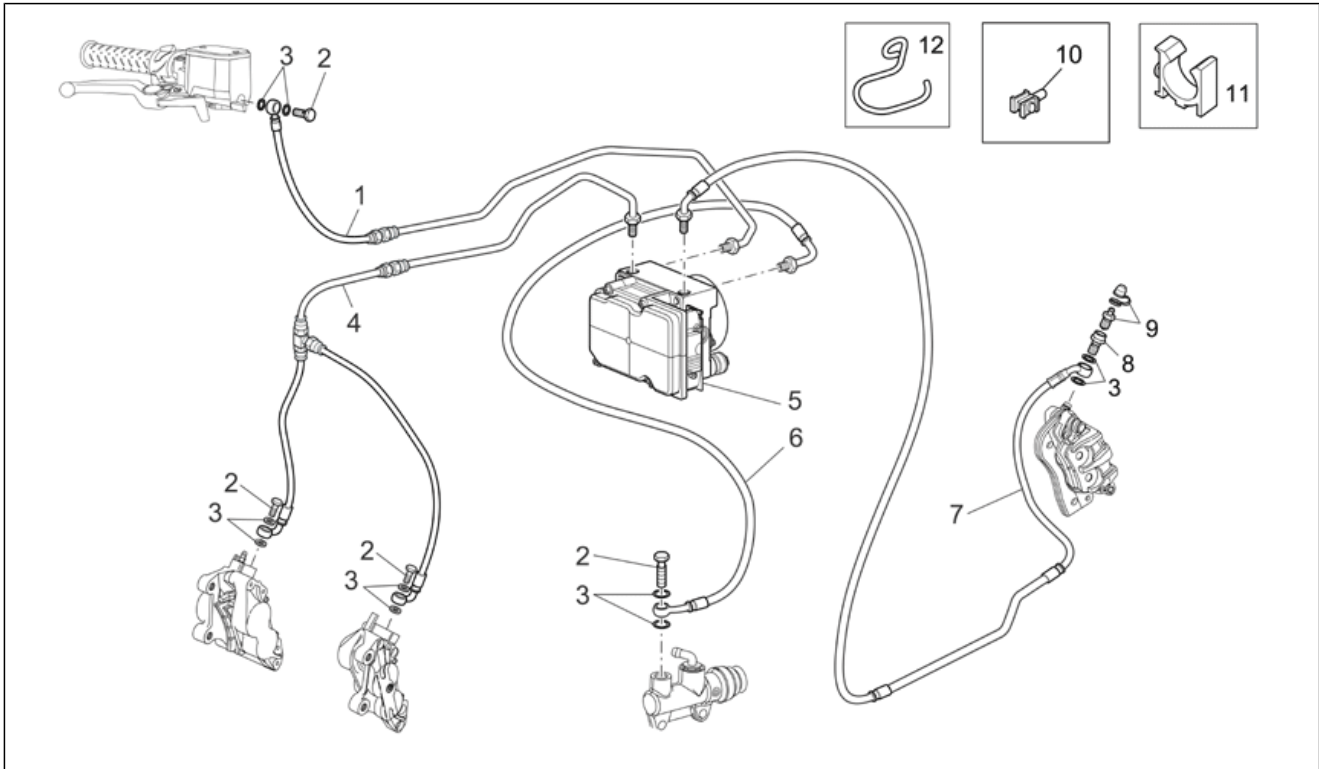
Pos.	Code	Description	Qty	Variants
				<b>Technical Specifications:</b> Up to chassis ZGULPC0047M113961[T1]
16	977578	Noise emission sticker	1	<b>Year:</b> 2007[7] <b>Country:</b> Canadian[CA], United States of America[USA] <b>Technical Specifications:</b> From the chassis ZGULPC0047M113962[T2]
16	GU05997630	Noise emission sticker	1	<b>Year:</b> 2006[6] <b>Country:</b> United States of America[USA] <b>Technical Specifications:</b> Up to chassis ZGULPC0047M113961[T1]
17	GU30970200	Bike cover	1	

<b>Group</b>	FRAME
<b>Code</b>	33.57
<b>Description</b>	Fuel vapour recover system
<b>Service</b>	1



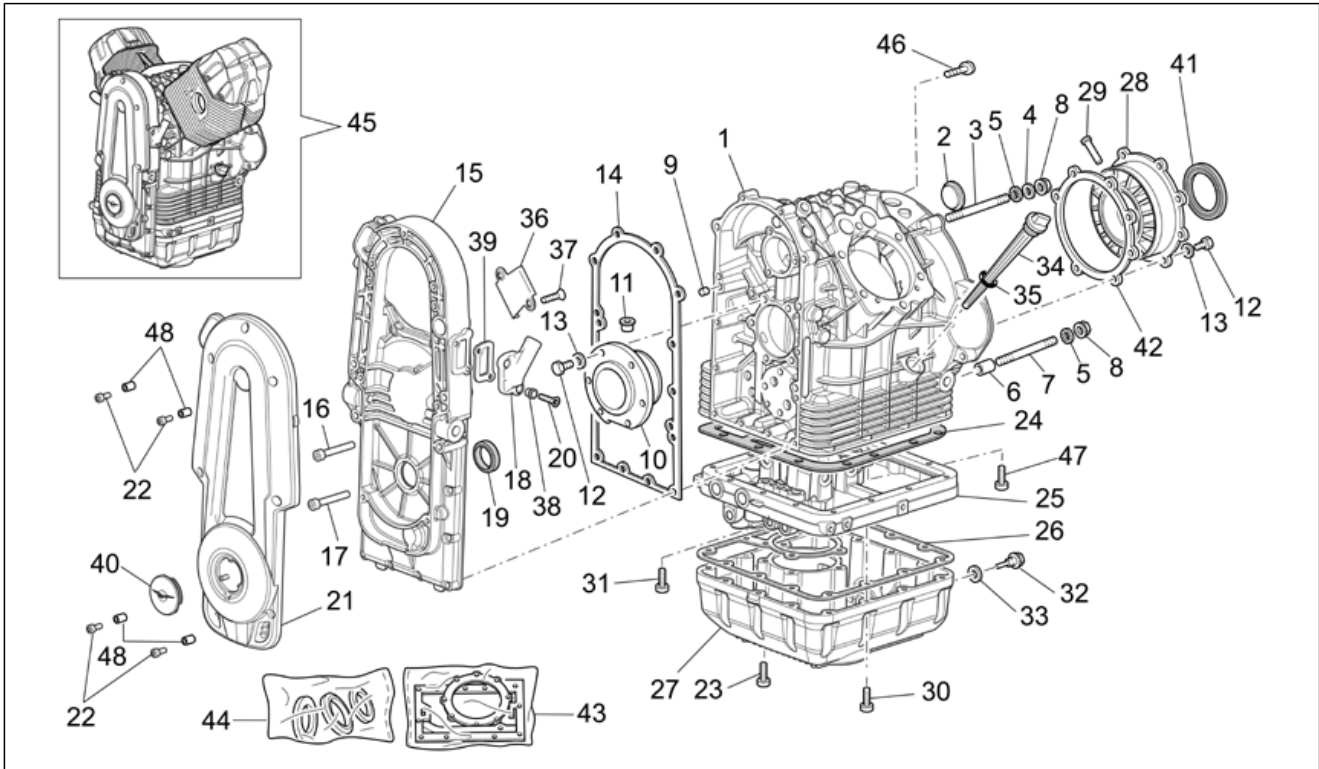
Pos.	Code	Description	Qty	Variants
1	AP8102678	Carbon filter	1	Country:Canadian[CA], United States of America[USA]
2	AP8134884	Canister support plate	1	Country:Canadian[CA], United States of America[USA]
3	AP8152329	Phillips screw, SWP M5x20	1	Country:Canadian[CA], United States of America[USA]
4	AP8102378	Hose clamp D11,3	4	Country:Canadian[CA], United States of America[USA]
5	AP8102377	Hose clamp D9,1*	8	Country:Canadian[CA], United States of America[USA]
6	AP8120952	Fuel pipe 5,5x10	3	Country:Canadian[CA], United States of America[USA]
7	AP8104614	Pressure valve	1	Country:Canadian[CA], United States of America[USA]
8	AP8220263	Breather pipe 4x8	2	Country:Canadian[CA], United States of America[USA]
9	AP8104666	3-way union	2	Country:Canadian[CA], United States of America[USA]
10	AP8101595	Hose clamp D10,1	2	Country:Canadian[CA], United States of America[USA]
11	AP8101944	2-way union	1	Country:Canadian[CA], United States of America[USA]
12	GU30103730	Joint	2	Country:Canadian[CA], United States of America[USA]
13	AP8120965	O-ring 2018	2	Country:Canadian[CA], United States of America[USA]
14	GU90706009	O-ring 6x1	4	Country:Canadian[CA], United States of America[USA]
15	GU95963062	Joint	2	Country:Canadian[CA], United States of America[USA]
16	GU95990023	Bored screw	2	Country:Canadian[CA], United States of America[USA]

<b>Group</b>	FRAME
<b>Code</b>	33.60
<b>Description</b>	ABS Brake system
<b>Service</b>	1



Pos.	Code	Description	Qty	Variants
1	GU05681030	Front brake hose	1	<b>Technical Specifications:</b> ABS version[abs]
2	AP8133594	Oil pipe screw	4	
3	GU25656100	Gasket	10	
4	GU05680830	Front brake hose	1	<b>Technical Specifications:</b> ABS version[abs]
5	GU05680530	ECU/Pump ABS	1	<b>Technical Specifications:</b> ABS version[abs]
6	GU05681130	Brake hose	1	<b>Technical Specifications:</b> ABS version[abs]
7	GU05680930	Rear brake hose	1	<b>Technical Specifications:</b> ABS version[abs]
8	AP8133597	screw	1	
9	AP8213113	Bleeder+cap	1	
10	AP8202238	Cable-guide hook	4	
11	GU05436530	Cable-guide D5	4	<b>Technical Specifications:</b> ABS version[abs]
12	GU05683130	Cable-guide D8	1	<b>Technical Specifications:</b> ABS version[abs]

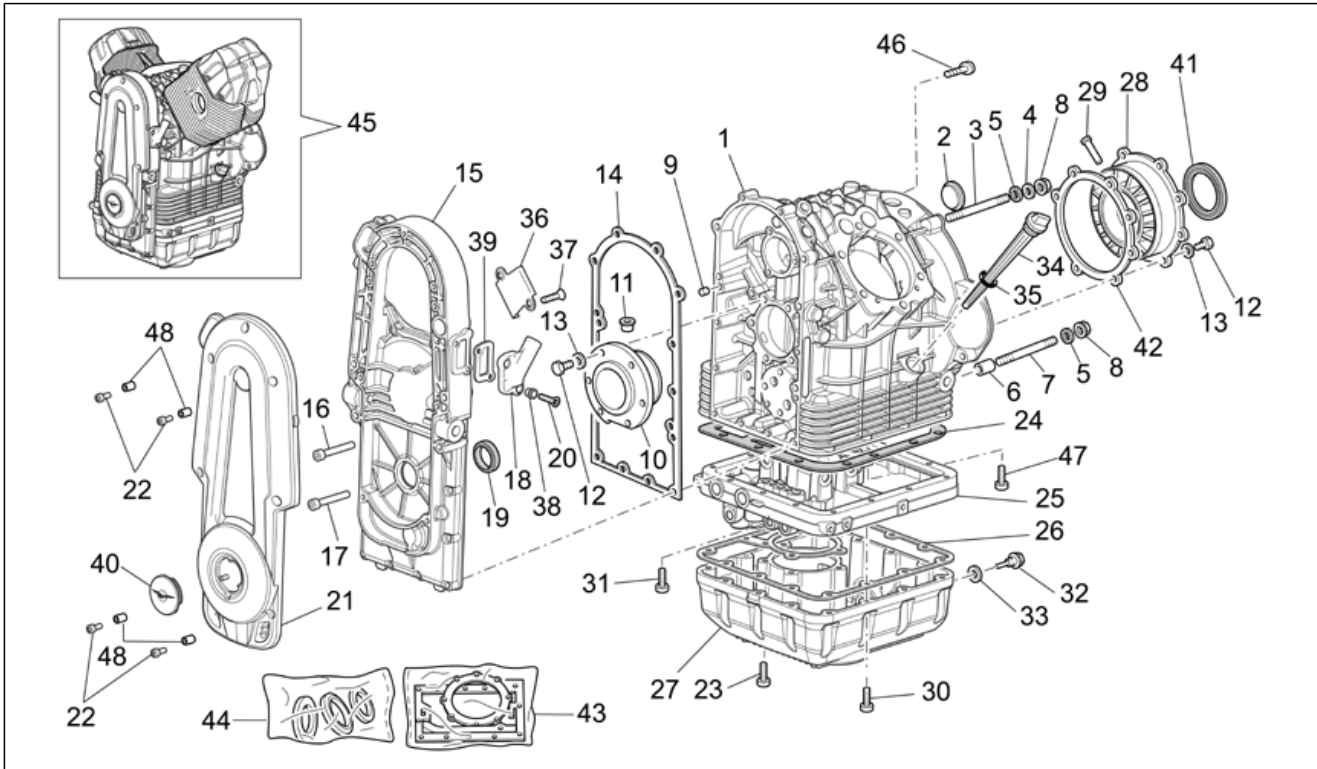
<b>Group</b>	ENGINE
<b>Code</b>	34.40
<b>Description</b>	Crank-case
<b>Service</b>	1



Pos.	Code	Description	Qty	Variants
1	976041	Crankcase black	1	<b>Technical Specifications:</b> From the engine KP15051[M10]
1	GU05000730	Crankcase black	1	<b>Technical Specifications:</b> Up to engine KP15050[M9]
2	GU12003900	Disc	1	
3	GU96508066	Stud bolt M8X66	3	
4	GU95008208	Washer 8,4X15X1,5	2	
5	GU14615901	Washer 8,4X13X0,8	5	
6	GU12018900	Coupling bush	2	
7	GU96508075	Stud bolt M8x75	2	
8	GU92660021	Flanged nut M8	5	
9	GU95512081	Pin	2	
10	GU14011900	Complete flange	1	
10	GU14011901	Flange min.0,2 mm	1	
11	GU12012200	Pin	1	
12	GU98084425	Hex screw M8x25	14	
13	GU61270300	Spring washer 8x15x0,3	14	
14	GU05001231	Cover gasket	1	
15	GU05001430	Timing cover black	1	
16	AP8150046	Hex socket screw M8x55	4	
17	GU98682330	Hex socket screw M6x20	10	
18	GU05007230	Joint	1	
19	GU90412237	Gasket ring 22x35x7viton	1	
20	GU98682320	Hex socket screw M6x20	2	
21	GU05001630	Alternator cover grey	1	
22	GU98682316	Hex socket screw M6x16	4	
23	GU98680335	Hex socket screw M6x35	4	
24	GU01003651	Gasket	1	
25	GU05003130	Flange black	1	
26	GU05003630	Gasket	1	

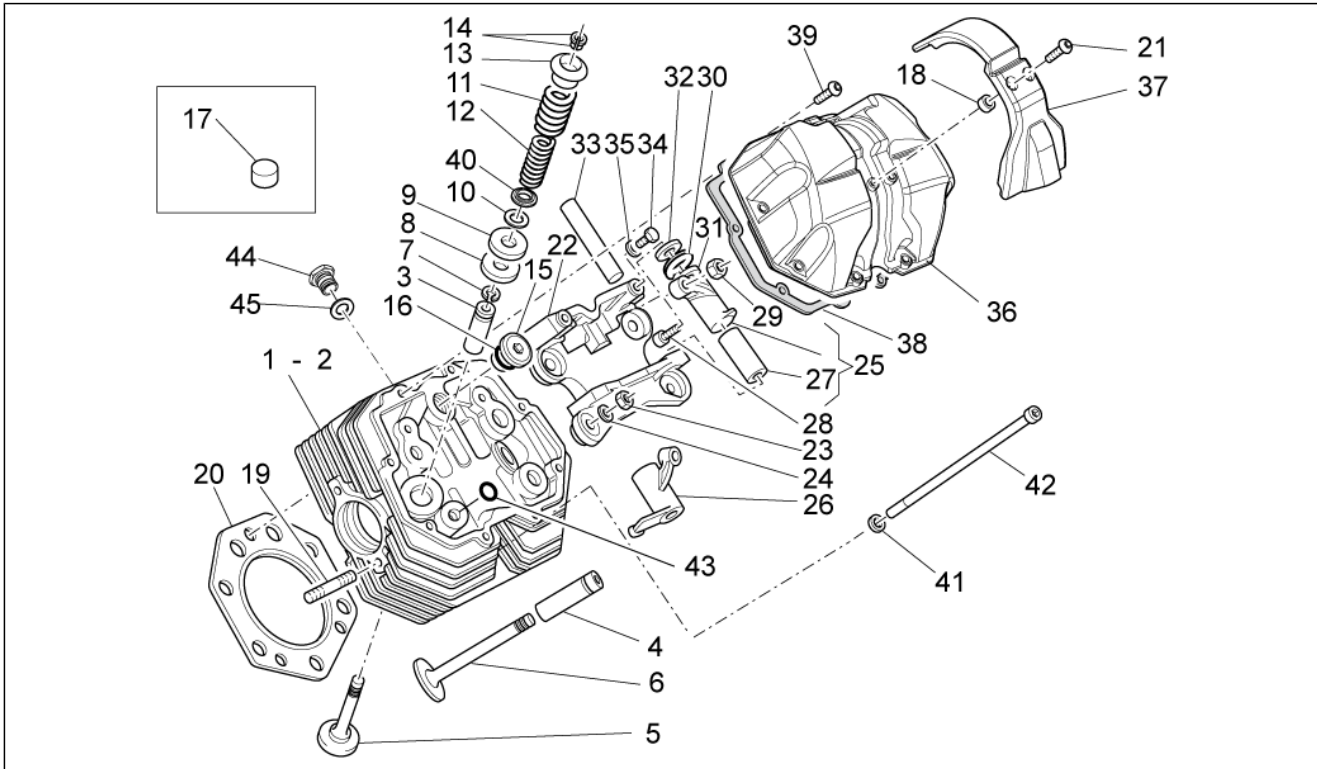


<b>Group</b>	ENGINE
<b>Code</b>	34.40
<b>Description</b>	Crank-case
<b>Service</b>	1



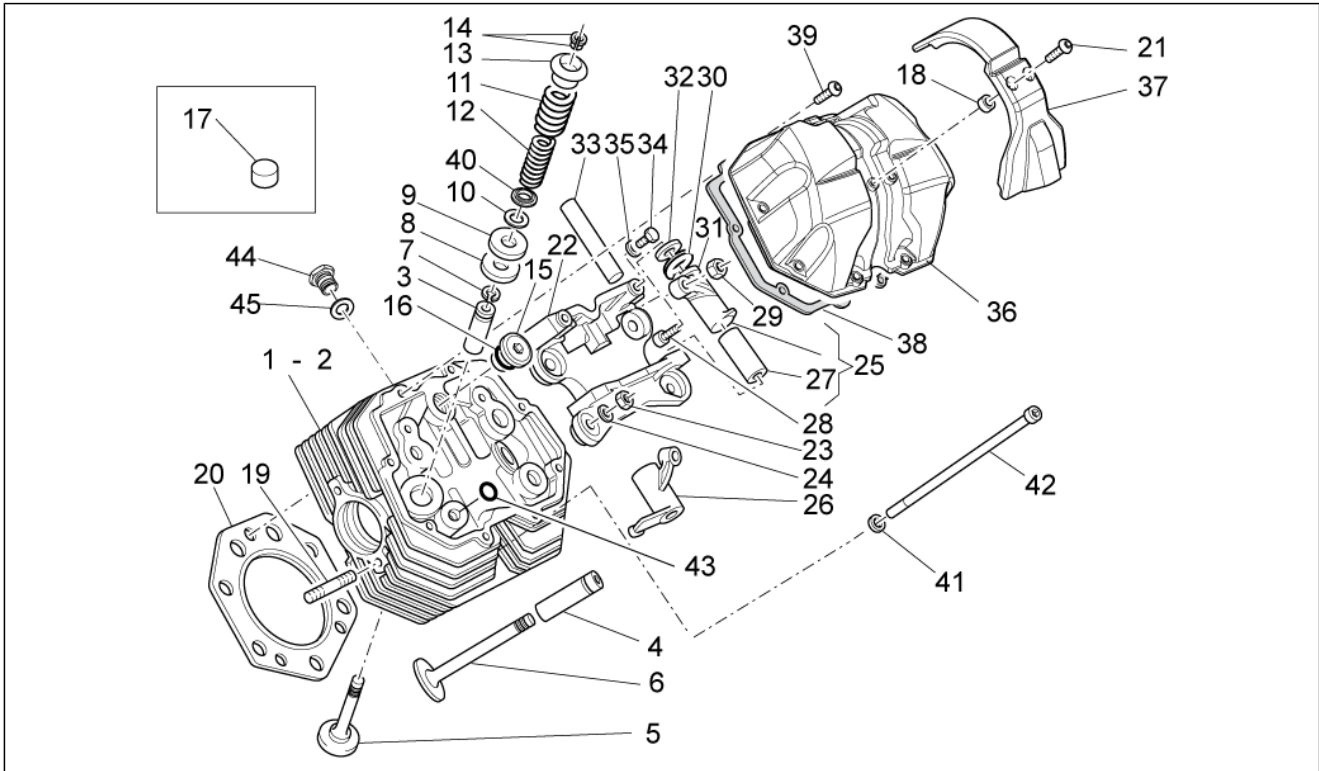
Pos.	Code	Description	Qty	Variants
27	GU05003530	Oil sump black	1	
28	GU12011400	Complete flange	1	
28	GU12011401	Flange min.0,2 mm	1	
28	GU12011402	Flange min.0,4 mm	1	
28	GU12011403	Flange min.0,6 mm	1	
29	GU12011700	Pin	1	
30	AP4ADN000007	Hex socket screw	14	
31	GU98680360	Hex socket screw M6x60	2	
32	GU31003766	Oil unload plug M10x1	1	
33	GU01528930	Gasket 10x18x1,5	1	
34	GU05004930	Oil level plug	1	
35	GU90706178	O-ring 17,86X2,62	1	
36	GU05007330	Plate	1	
37	GU98257408	screw TSPEI M4x8	2	
38	GU91120607	Bushing 6,4x8,4x10,5	2	
39	GU90706347	O-ring 34,65x1,78viton	1	
40	GU05002130	Cover	1	
41	GU90405367	Gasket ring	1	
42	GU05011830	Gasket	1	
43	GU05999030	Engine gasket set	1	
44	GU05999530	Engine oil seal kit/Gear box	1	
45	GU05991030	Engine cpl.	1	
46	AP8152291	Screw w/ flange	1	
47	GU98680340	Hex socket screw M6x40	2	
48	GU91120606	Bushing 6,8x8,8x5,8	4	

<b>Group</b>	ENGINE
<b>Code</b>	34.41
<b>Description</b>	Cylinder head and valves I
<b>Service</b>	1



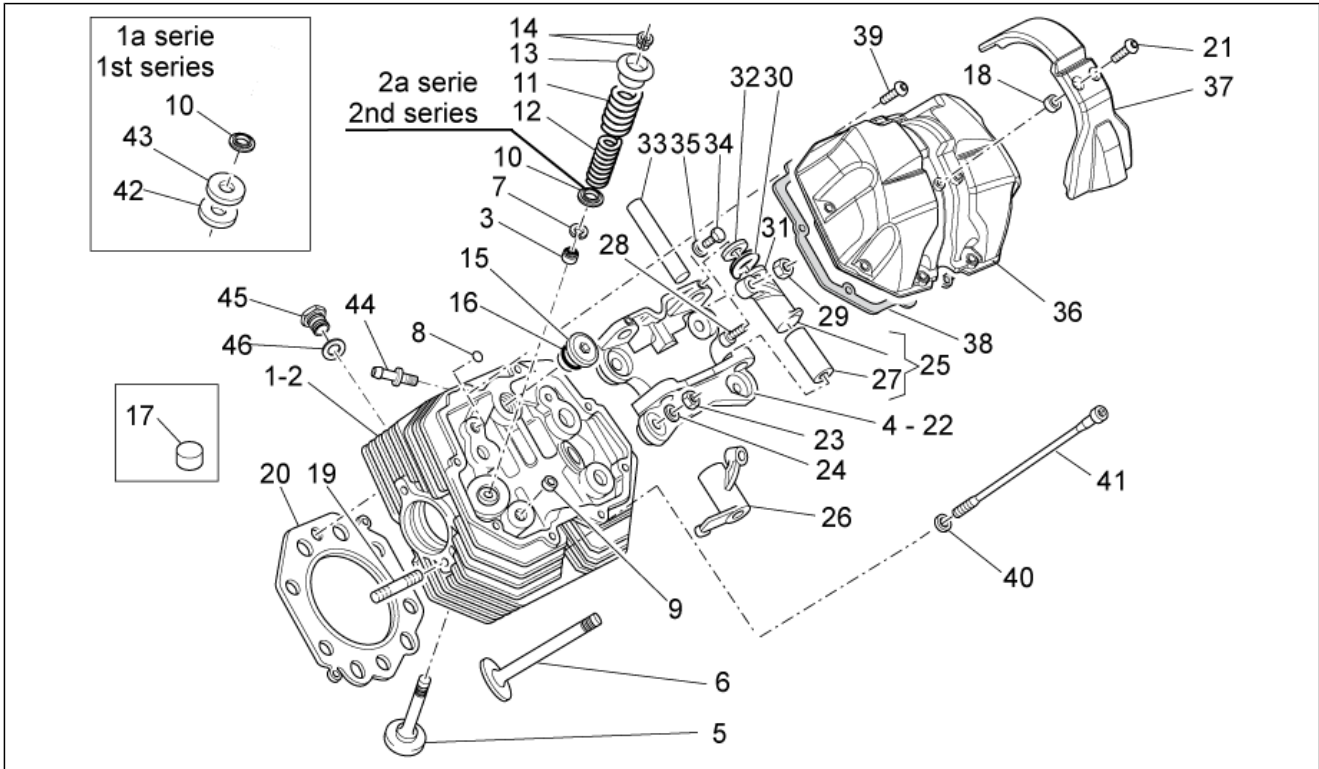
Pos.	Code	Description	Qty	Variants
1	GU05022130	RH head assy w/h valve	1	<b>Technical Specifications:</b> Up to engine KP13482[M7]
1	GU05022132	RH head assy w/h valve grey	1	<b>Technical Specifications:</b> From the engine KP13483[M8], Up to engine KP15050[M9]
2	GU05022230	LH head assy with valve	1	<b>Technical Specifications:</b> Up to engine KP13482[M7]
2	GU05022232	LH head assy without valve grey	1	<b>Technical Specifications:</b> From the engine KP13483[M8], Up to engine KP15050[M9]
3	GU13036801	Exhaust valve guide	2	<b>Technical Specifications:</b> Up to engine KP13482[M7]
4	GU14036860	Intake valve guide	2	<b>Technical Specifications:</b> Up to engine KP13482[M7]
5	GU05036131	Exhaust valve	2	
6	GU05036030	Intake valve	2	
7	GU90353016	Snap ring	4	
8	GU13037200	Washer 14,2x31x1	4	
9	GU14037300	Washer 14,2x31x0,3	10	
10	GU01038730	Washer plate	4	
11	GU37037405	Outer spring	4	
12	GU37037605	Inner spring	4	
13	GU01038060	Upper cup	4	
14	GU01038160	Valve half-cone	8	
15	GU12022600	Oil plug	2	
16	GU90706203	O-ring 20,24X2,62	2	
17	GU05025331	Rubber spacer	18	
18	GU32116810	Bushing 6,8x8,8x9,8	4	
19	GU96508040	Stud bolt	4	
20	GU03022055	Gasket	2	<b>Technical Specifications:</b> Up to engine KP15050[M9]
21	AP8152298	Screw w/ flange M5x16	4	
22	GU14034865	Rocker arm support	2	<b>Technical Specifications:</b> Up to engine KP15050[M9]
23	GU92603010	Nut M10X1,5	8	
24	GU14018400	Washer 10,5X21X1	8	

<b>Group</b>	ENGINE
<b>Code</b>	34.41
<b>Description</b>	Cylinder head and valves I
<b>Service</b>	1



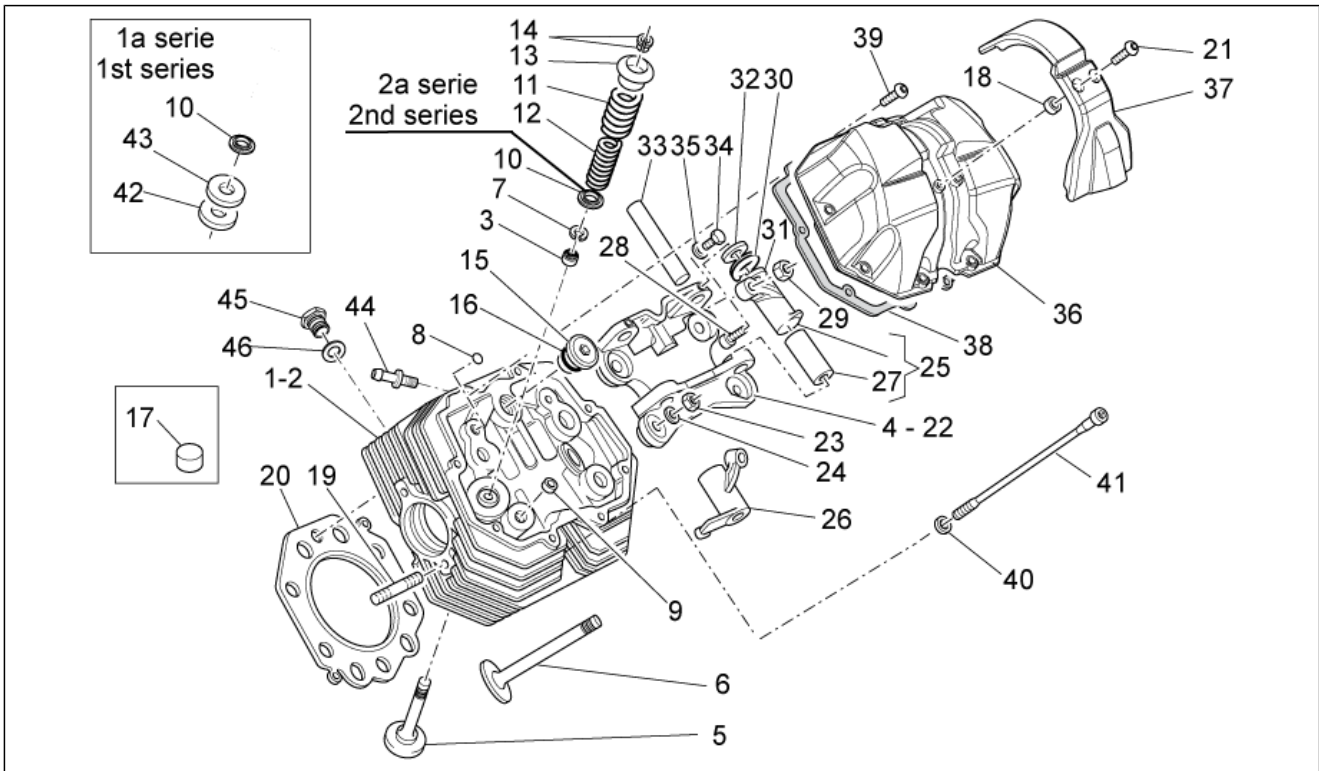
Pos.	Code	Description	Qty	Variants
25	GU14030201	RH rocker arm assy	2	
26	GU14030401	LH rocker arm assy	2	
27	GU91111511	Bushing 15x18x43	4	
28	GU17034050	Adjuster screw	4	
29	GU10034100	Nut	4	
30	GU94322215	Spring	4	
31	GU90118152	Washer 15,2x26x1	8	
32	GU10032700	Washer 15,2x26x0,5	4	
33	GU12031800	Rocker shaft	4	
34	GU98084316	Hex screw	4	
35	GU95120065	Washer 6,5x11x2	4	
36	GU05023530	Head cover brown	2	
37	GU05023430	Insert	2	
38	976139	Cover gasket	2	
39	GU05025930	screw M6x25	16	
40	GU01037030	Lower cup 14,2x32x5	4	
41	GU95129180	Washer 10,5X18X0,8	4	
42	976144	screw	4	<b>Technical Specifications:</b> From the engine KP14271[M6]
42	GU05021831	screw	4	<b>Technical Specifications:</b> Up to engine KP14270[M5]
43	GU90706094	O-ring 9x2	8	<b>Technical Specifications:</b> Up to engine KP15050[M9]
44	976068	Cover	2	
45	969973	Washer	2	

<b>Group</b>	ENGINE
<b>Code</b>	34.42
<b>Description</b>	Cylinder head and valves II
<b>Service</b>	1



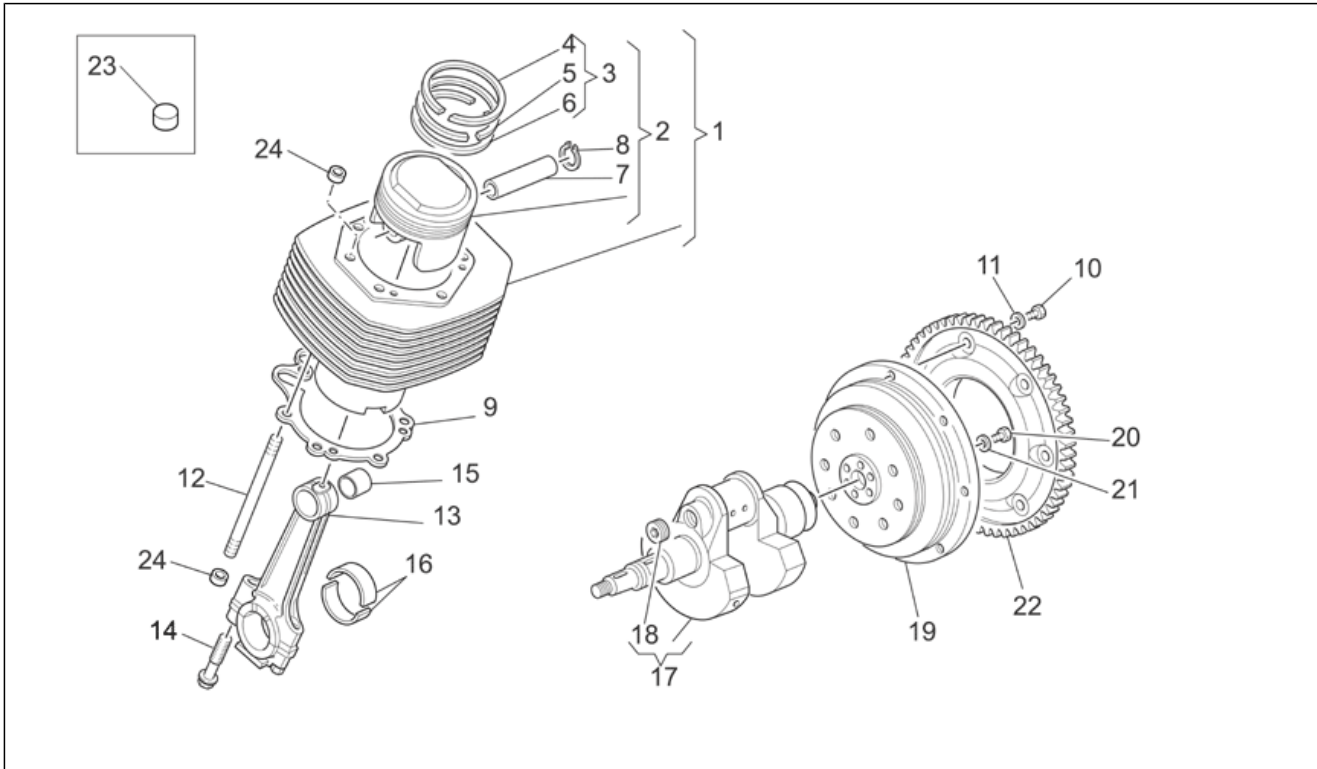
Pos.	Code	Description	Qty	Variants
1	976079	RH head assy w/h valve grey	1	<b>Technical Specifications:</b> From the engine KP15051[M10]
2	976080	LH head assy without valve grey	1	<b>Technical Specifications:</b> From the engine KP15051[M10]
3	976107	Valve stem seal D8	4	<b>Technical Specifications:</b> From the engine KP15051[M10]
4	976152	RH.Rocker arm support	1	<b>Technical Specifications:</b> From the engine KP15051[M10]
5	GU05036131	Exhaust valve	2	
6	GU05036030	Intake valve	2	
7	GU90353016	Snap ring	4	
8	224202	O-ring 8,73x1,78-viton	4	<b>Technical Specifications:</b> From the engine KP15051[M10]
9	825597	Pin 11,8X10	4	<b>Technical Specifications:</b> From the engine KP15051[M10]
10	976181	Lower cup 14,2x32x7	4	<b>Technical Specifications:</b> Second series[2A]
10	GU01037030	Lower cup 14,2x32x5	4	<b>Technical Specifications:</b> First series[1A]
11	GU37037405	Outer spring	4	
12	GU37037605	Inner spring	4	
13	GU01038060	Upper cup	4	
14	GU01038160	Valve half-cone	8	
15	GU12022600	Oil plug	2	
16	GU90706203	O-ring 20,24X2,62	2	
17	GU05025331	Rubber spacer	18	
18	GU32116810	Bushing 6,8x8,8x9,8	4	
19	GU96508040	Stud bolt	4	
20	976087	Gasket	2	<b>Technical Specifications:</b> From the engine KP15051[M10]
21	AP8152298	Screw w/ flange M5x16	4	
22	976153	LH.Rocker arm support	1	<b>Technical Specifications:</b> From the engine KP15051[M10]
23	GU92603010	Nut M10X1,5	8	
24	GU14018400	Washer 10,5X21X1	8	
25	GU14030201	RH rocker arm assy	2	
26	GU14030401	LH rocker arm assy	2	
27	GU91111511	Bushing 15x18x43	4	

<b>Group</b>	ENGINE
<b>Code</b>	34.42
<b>Description</b>	Cylinder head and valves II
<b>Service</b>	1



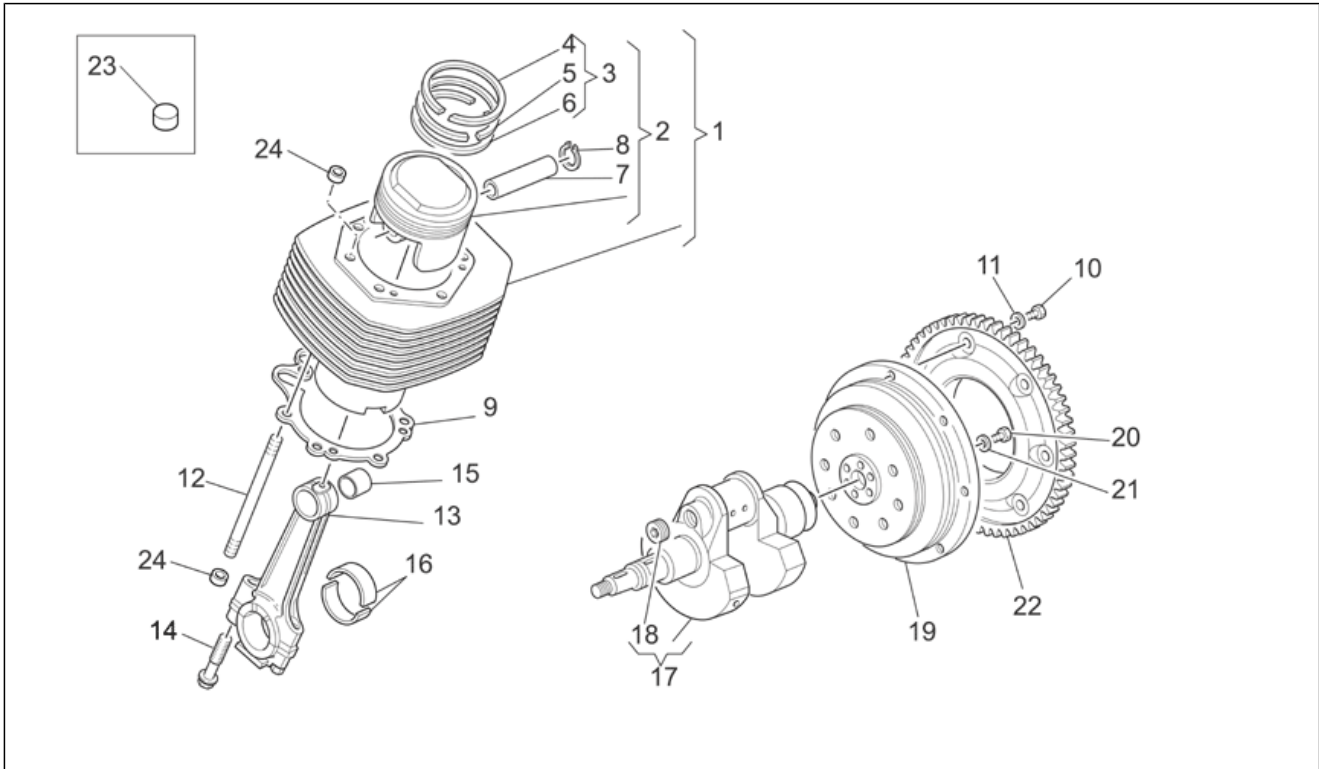
Pos.	Code	Description	Qty	Variants
28	GU17034050	Adjuster screw	4	
29	GU10034100	Nut	4	
30	GU94322215	Spring	4	
31	GU90118152	Washer 15,2x26x1	8	
32	GU10032700	Washer 15,2x26x0,5	4	
33	GU12031800	Rocker shaft	4	
34	GU98084316	Hex screw	4	
35	GU95120065	Washer 6,5x11x2	4	
36	GU05023530	Head cover brown	2	
37	GU05023430	Insert	2	
38	976139	Cover gasket	2	
39	GU05025930	screw M6x25	16	
40	GU95129180	Washer 10,5X18X0,8	4	
41	976144	screw	4	
42	GU13037200	Washer 14,2x31x1	4	Technical Specifications:First series[1A]
43	GU14037300	Washer 14,2x31x0,3	10	Technical Specifications:First series[1A]
44	GU32023910	Breather union on head	1	
45	976068	Cover	2	
46	969973	Washer	2	

<b>Group</b>	ENGINE
<b>Code</b>	34.43
<b>Description</b>	Crankshaft cpl.
<b>Service</b>	1



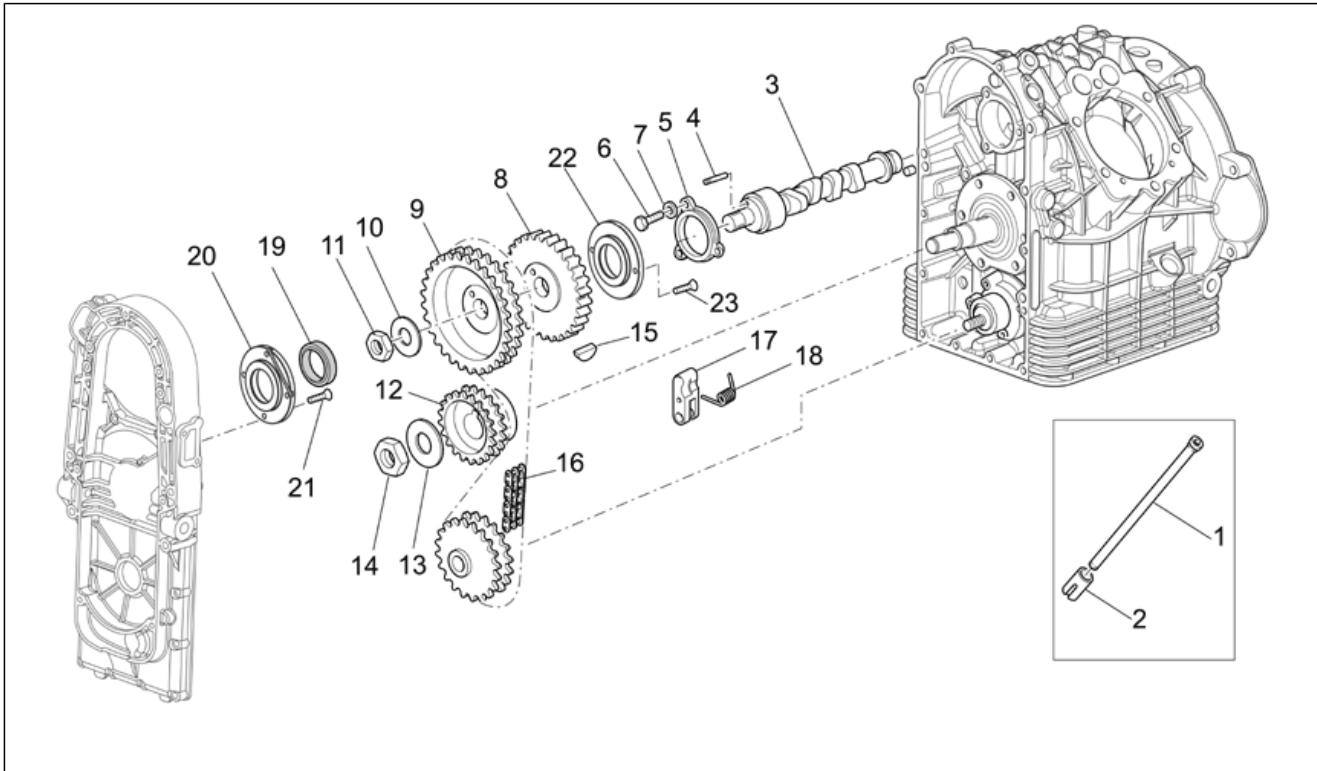
Pos.	Code	Description	Qty	Variants
1	976196	Cylinder with piston	2	<b>Technical Specifications:</b> From the engine KP15051[M10]
1	GU05060130	Cylinder with piston	2	<b>Technical Specifications:</b> Up to engine KP15050[M9]
2	GU05060230	Piston assy	2	
3	GU05060630	Pistonring set	2	
4	GU05060730	Piston ring	2	
5	GU05060930	Piston ring	2	
6	GU05061030	Piston ring	2	
7	GU30061241	Piston pin	2	
8	GU90351039	Stop ring	4	
9	976064	Gasket	2	<b>Technical Specifications:</b> From the engine KP15051[M10]
9	GU05020830	Gasket	2	<b>Technical Specifications:</b> Up to engine KP15050[M9]
10	GU37067705	screw	8	
11	GU14217901	Washer 6,4x10x0,7	8	
12	976031	Stud bolt	8	<b>Technical Specifications:</b> From the engine KP14271[M6]
12	GU12021700	Stud bolt	8	<b>Technical Specifications:</b> Up to engine KP14270[M5]
13	976003	Connecting rod cpl.	2	<b>Technical Specifications:</b> From engine KP15262[M12]
13	GU05061530	Connecting rod cpl.	2	<b>Technical Specifications:</b> Up to engine KP15261[M11]
14	849131	Connecting rod screw	4	<b>Technical Specifications:</b> From engine KP15262[M12]
14	GU01062230	Connecting rod screw	4	<b>Technical Specifications:</b> Up to engine KP15261[M11]
15	GU91112128	Bushing	2	<b>Technical Specifications:</b> Up to engine KP15261[M11]
16	976171	Bearing half-shell 1,539-1,544	4	<b>Technical Specifications:</b> Blue sign[BS], From engine KP15262[M12]
16	976172	Bearing half-shell 1,535-1,540	4	<b>Technical Specifications:</b> From engine KP15262[M12], Red sign[RS]
16	GU01062030	Bearing half-shell	4	<b>Technical Specifications:</b> Up to engine KP15261[M11]
16	GU01062031	Bearing half-shell min.0,254	4	<b>Technical Specifications:</b> Up to engine KP15261[M11]
16	GU01062032	Bearing half-shell min.0,508	4	<b>Technical Specifications:</b> Up to engine KP15261[M11]
16	GU01062033	Bearing half-shell min.0,762	4	<b>Technical Specifications:</b> Up to engine KP15261[M11]

<b>Group</b>	ENGINE
<b>Code</b>	34.43
<b>Description</b>	Crankshaft cpl.
<b>Service</b>	1



Pos.	Code	Description	Qty	Variants
17	976117	Crankshaft cpl.	1	<b>Technical Specifications:</b> Up to engine KP15261[M11]
17	976186	Crankshaft cpl.	1	<b>Technical Specifications:</b> From engine KP15262[M12]
18	GU37065405	Cover	1	
19	GU04067000	Flywheel cpl.	1	
20	GU12067701	screw	6	
21	GU14615901	Washer 8,4X13X0,8	6	
22	GU01067930	Chain ring	1	
23	GU05025330	Rubber spacer	54	
24	825597	Pin 11,8X10	6	<b>Technical Specifications:</b> From the engine KP15051[M10]

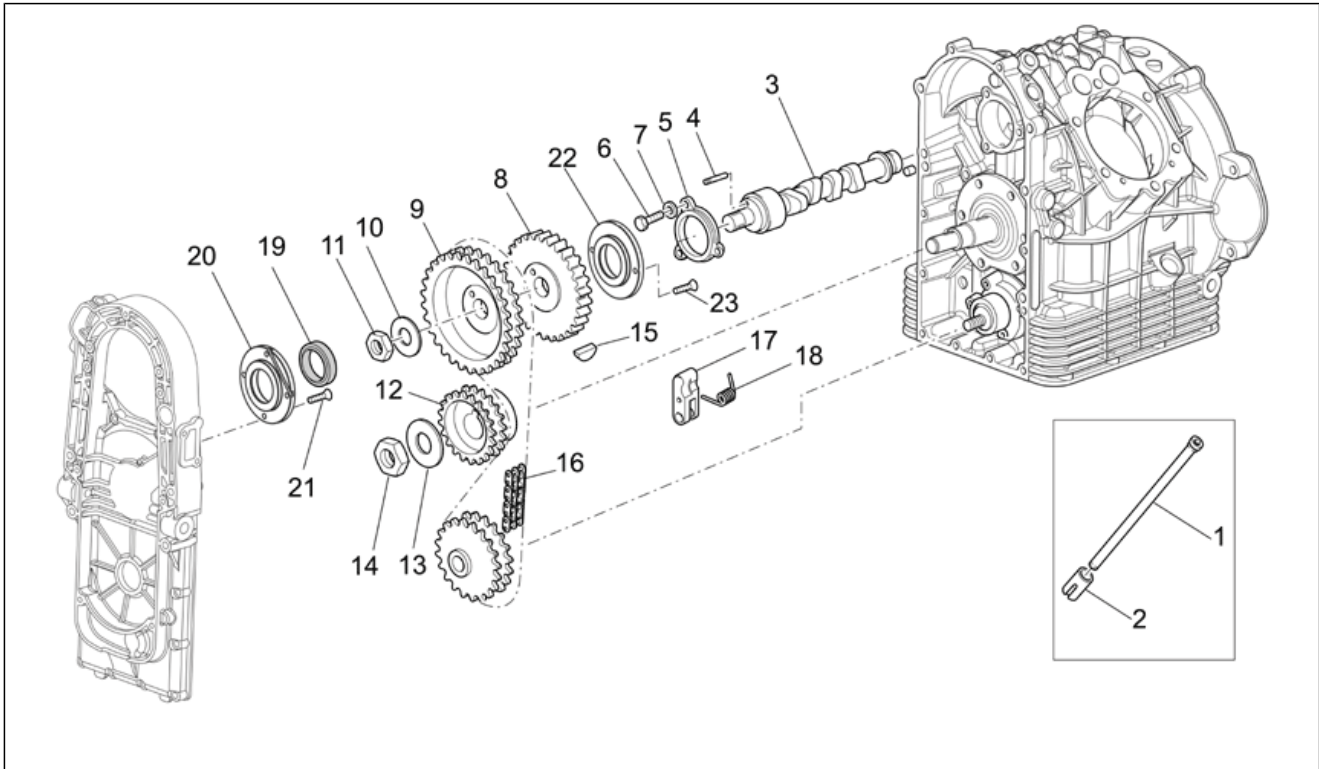
<b>Group</b>	ENGINE
<b>Code</b>	34.44
<b>Description</b>	Timing system
<b>Service</b>	1



Pos.	Code	Description	Qty	Variants
1	GU37045006	Rocker arm rod	4	
2	GU17045860	Tappet	4	
3	GU05053331	Camshaft	1	
4	GU14234600	Pin	1	
5	GU01054001	Flange	1	
6	GU98084320	Hex screw M6x20	3	
7	GU95120065	Washer 6,5x11x2	3	
8	GU01051730	Wheel speed sensor, left front	1	<b>Technical Specifications:</b> Up to engine KP011312[M1]
8	GU01051730	Wheel speed sensor, left front	1	<b>Technical Specifications:</b> From the engine KP013217[M4]
8	GU05051730	Wheel speed sensor, left front	1	<b>Technical Specifications:</b> Up to engine KP013216[M3]
8	GU05051730	Wheel speed sensor, left front	1	<b>Technical Specifications:</b> From the engine KP011313[M2]
9	GU05054530	Timing system gear	1	<b>Technical Specifications:</b> Up to engine KP011312[M1]
9	GU05054531	Timing system gear	1	<b>Technical Specifications:</b> Up to engine KP013216[M3]
9	GU05054531	Timing system gear	1	<b>Technical Specifications:</b> From the engine KP011313[M2]
9	GU05054532	Timing system gear	1	<b>Technical Specifications:</b> From the engine KP013217[M4]
10	GU14433400	Spring washer 19x34x1,5	1	
11	GU92750180	Nut M18	1	
12	GU14072001	Pinion	1	
13	GU95100837	Washer 25,5x35x2	1	
14	GU92602525	Nut M25	1	
15	GU91600365	Transmission key 3x6,5	1	
16	GU05058030	Chain	1	
17	GU30058310	Chain guide plate	1	
18	GU30059211	Spring	1	
19	GU90401532	Gasket ring 15x32x7viton	1	
20	GU05055230	Maintenance	1	
21	AP8152043	Hex socket screw M4x10	4	

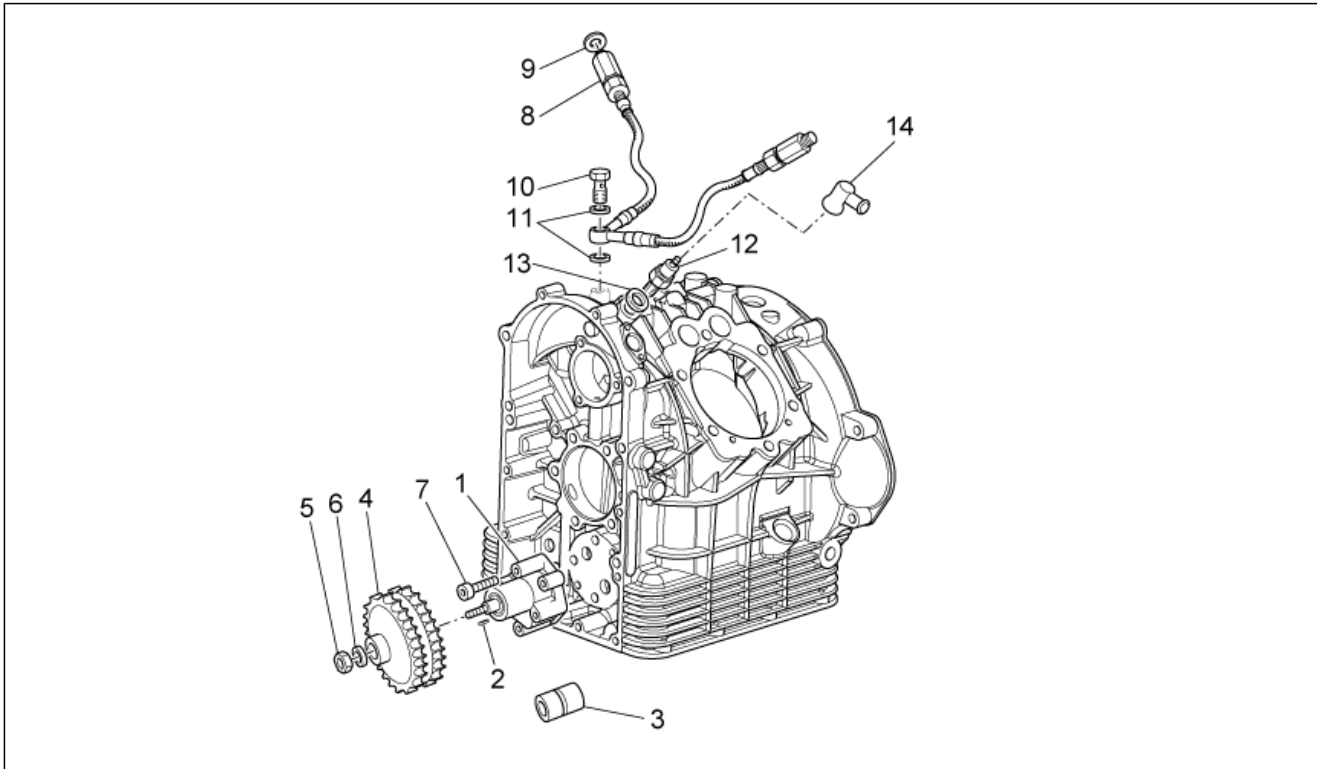


<b>Group</b>	ENGINE
<b>Code</b>	34.44
<b>Description</b>	Timing system
<b>Service</b>	1



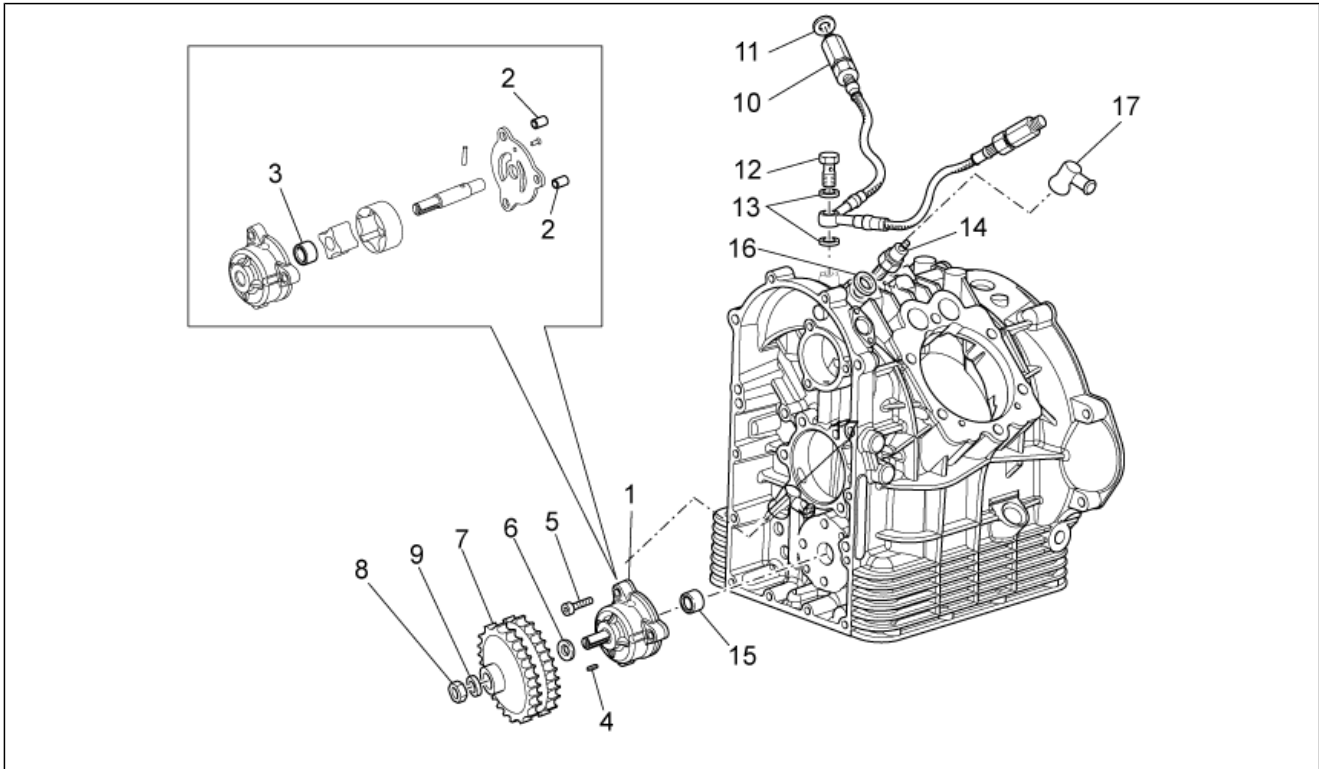
Pos.	Code	Description	Qty	Variants
22	GU05053530	Centrifugal disc	1	<b>Technical Specifications:</b> From the engine KP011313[M2], Up to engine KP013216[M3]
23	GU98250612	Screw M6x12	2	<b>Technical Specifications:</b> From the engine KP011313[M2], Up to engine KP013216[M3]

<b>Group</b>	ENGINE
<b>Code</b>	34.45
<b>Description</b>	Oil pump I
<b>Service</b>	1



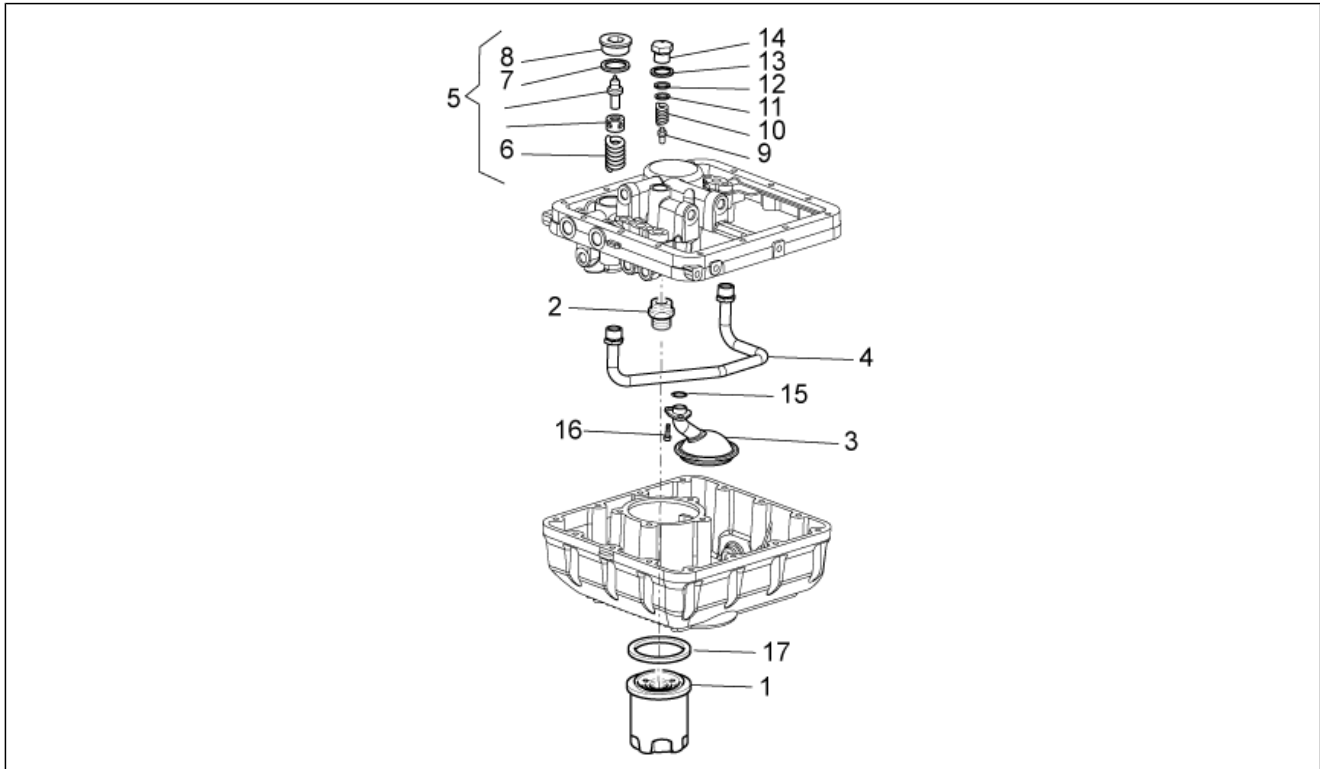
Pos.	Code	Description	Qty	Variants
1	GU30146400	Oil pump	1	<b>Technical Specifications:</b> Up to engine KP15050[M9]
2	GU13148300	Transmission key	1	
3	GU92252210	Roller bearing 10x22x20	1	<b>Technical Specifications:</b> Up to engine KP15050[M9]
4	GU30147700	Oil pump gear	1	
5	GU92602308	Nut	1	<b>Technical Specifications:</b> Up to engine KP15050[M9]
6	GU95120085	Spring washer	1	<b>Technical Specifications:</b> Up to engine KP15050[M9]
7	GU98682430	Hex socket screw M8x30	4	<b>Technical Specifications:</b> Up to engine KP15050[M9]
8	GU05153630	Pipe	1	
9	GU25656102	Gasket	2	
10	GU95990037	screw	1	
11	GU12154200	Gasket 8,25x15x1	2	
12	GU31768780	Pressure sensor	1	
13	GU12006400	Gasket 12,25	1	
14	976688	Pressure oil sensor cap	1	

<b>Group</b>	ENGINE
<b>Code</b>	34.46
<b>Description</b>	Oil pump II
<b>Service</b>	1



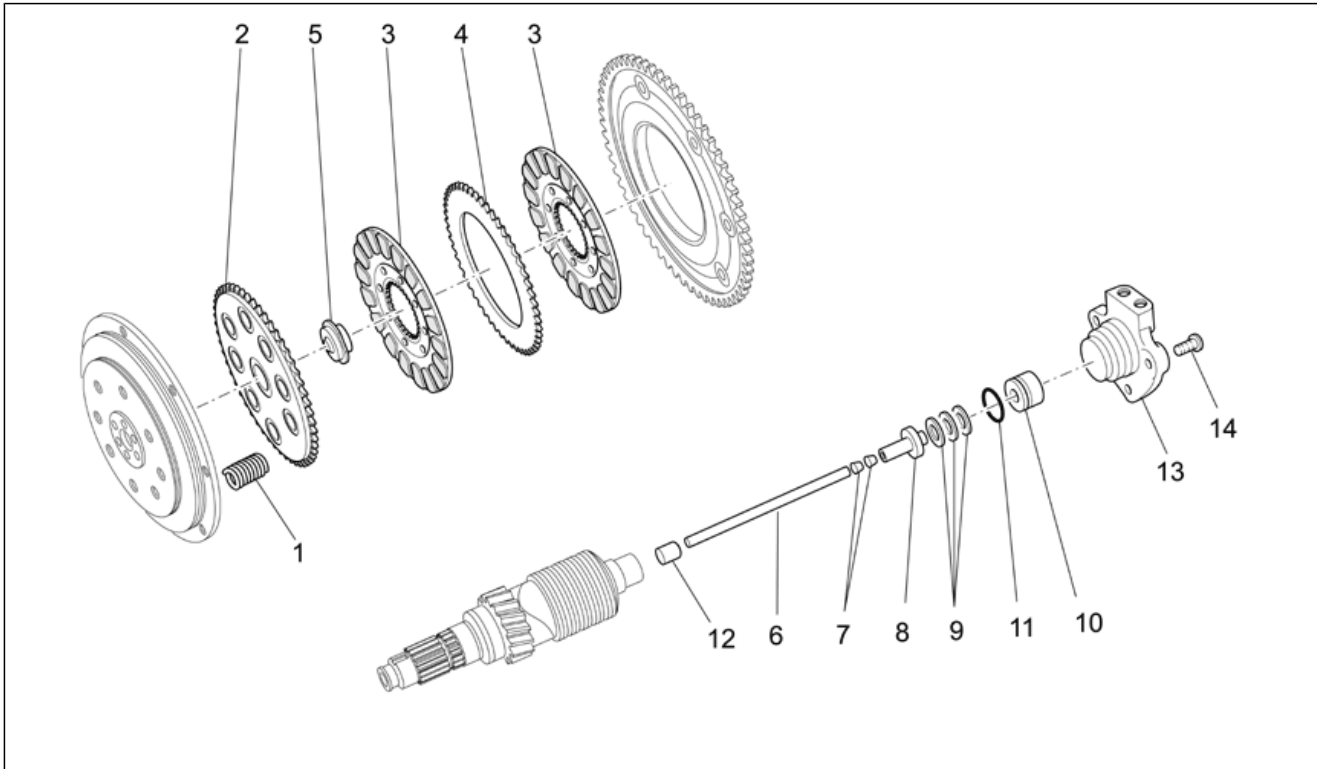
Pos.	Code	Description	Qty	Variants
1	976134	Oil pump	1	<b>Technical Specifications:</b> From the engine KP15051[M10]
2	277916	Locating dowel	2	<b>Technical Specifications:</b> From the engine KP15051[M10]
3	976165	Cage à rouleaux 12x18x12	1	<b>Technical Specifications:</b> From the engine KP15051[M10]
4	GU13148300	Transmission key	1	
5	GU98350330	Hex socket screw M6x30	3	<b>Technical Specifications:</b> From the engine KP15051[M10]
6	976448	Fifth wheel	1	<b>Technical Specifications:</b> From the engine KP15051[M10]
7	GU30147700	Oil pump gear	1	
8	GU92602510	Nut M10x1,25	1	<b>Technical Specifications:</b> From the engine KP15051[M10]
9	GU19149800	Washer 10,5x16x1	1	<b>Technical Specifications:</b> From the engine KP15051[M10]
10	GU05153630	Pipe	1	
11	GU25656102	Gasket	2	
12	GU95990037	screw	1	
13	GU12154200	Gasket 8,25x15x1	2	
14	GU31768780	Pressure sensor	1	
15	976168	Cage à rouleaux 10x14x12	1	<b>Technical Specifications:</b> From the engine KP15051[M10]
16	GU12006400	Gasket 12,25	1	
17	976688	Pressure oil sensor cap	1	

<b>Group</b>	ENGINE
<b>Code</b>	34.47
<b>Description</b>	Oil filters
<b>Service</b>	1



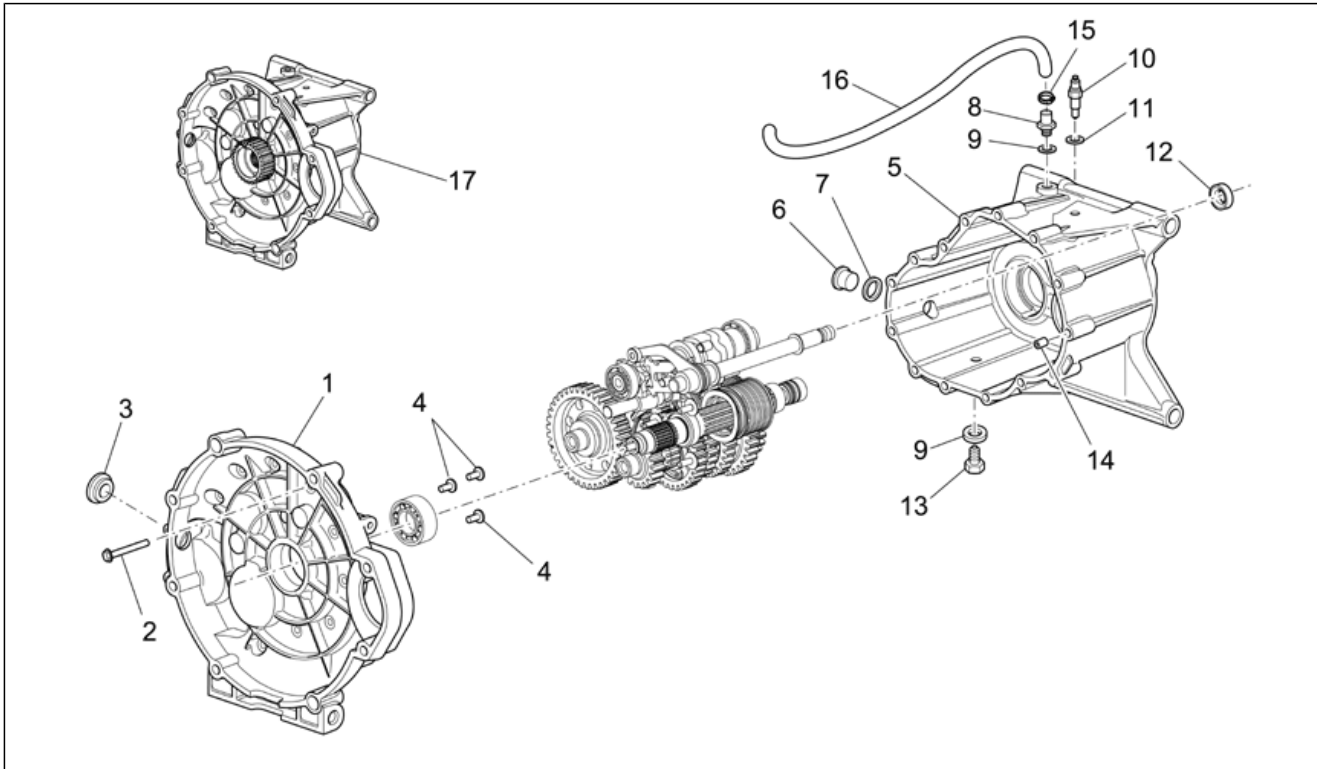
Pos.	Code	Description	Qty	Variants
1	GU30153000	Oil filter	1	
2	GU30003800	Oil filter union	1	
3	GU05152230	Oil filter	1	
4	GU05005730	pipe	1	
5	GU01163500	Thermostatic valve compl.	1	
6	GU20164010	Spring	1	
7	GU01163700	Copper gasket	1	
8	GU01163600	Cover	1	
9	GU30150900	Piston	1	
10	GU94321077	Spring	1	
11	GU95008206	Washer 6,15x11x0,8	2	
12	GU30158900	Washer	1	
13	GU18144350	Washer 18,25x24x1	1	
14	GU31159050	Cover	1	
15	GU90706151	O-ring 15,08x2,62viton	1	
16	GU98682316	Hex socket screw M6x16	2	
17	981115	Gasket	1	<b>Technical Specifications:</b> Ref. Technical communication n.... [CT1]

<b>Group</b>	ENGINE
<b>Code</b>	34.48
<b>Description</b>	Clutch
<b>Service</b>	1



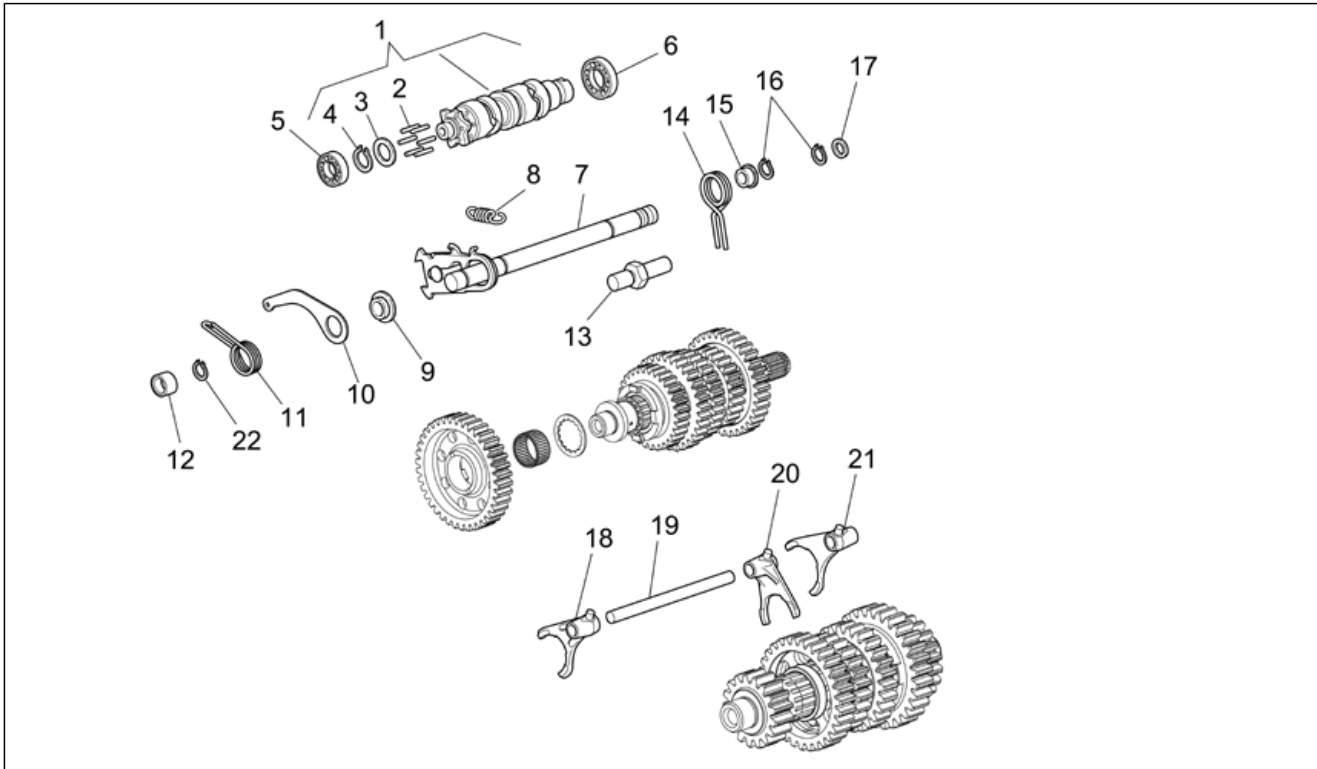
Pos.	Code	Description	Qty	Variants
1	GU04084100	Clutch spring	10	<b>Technical Specifications:</b> First series[1A]
1	GU04084100	Clutch spring	5	<b>Technical Specifications:</b> Second series[2A]
1	GU13084100	Clutch spring	5	<b>Technical Specifications:</b> Second series[2A], Red sign[RS]
2	GU30082900	Disc	1	
3	GU05084430	Clutch plate complete	2	
4	GU12082300	Intermediate plate	1	
5	GU04082800	Cup	1	
6	GU05085730	Rod	1	
7	GU14085900	Bush	2	
8	GU14086000	Inner body	1	
9	GU12087001	Thrust bearing	1	
10	GU04086100	Clutch control cylinder	1	
11	GU90706170	O-ring 17,13x2,62	1	
12	GU05217630	Bushing	1	
13	GU05086330	Clutch command cylinder	1	
14	AP8152278	Screw w/ flange M6x16	3	

<b>Group</b>	ENGINE
<b>Code</b>	34.49
<b>Description</b>	Transmission cage
<b>Service</b>	1



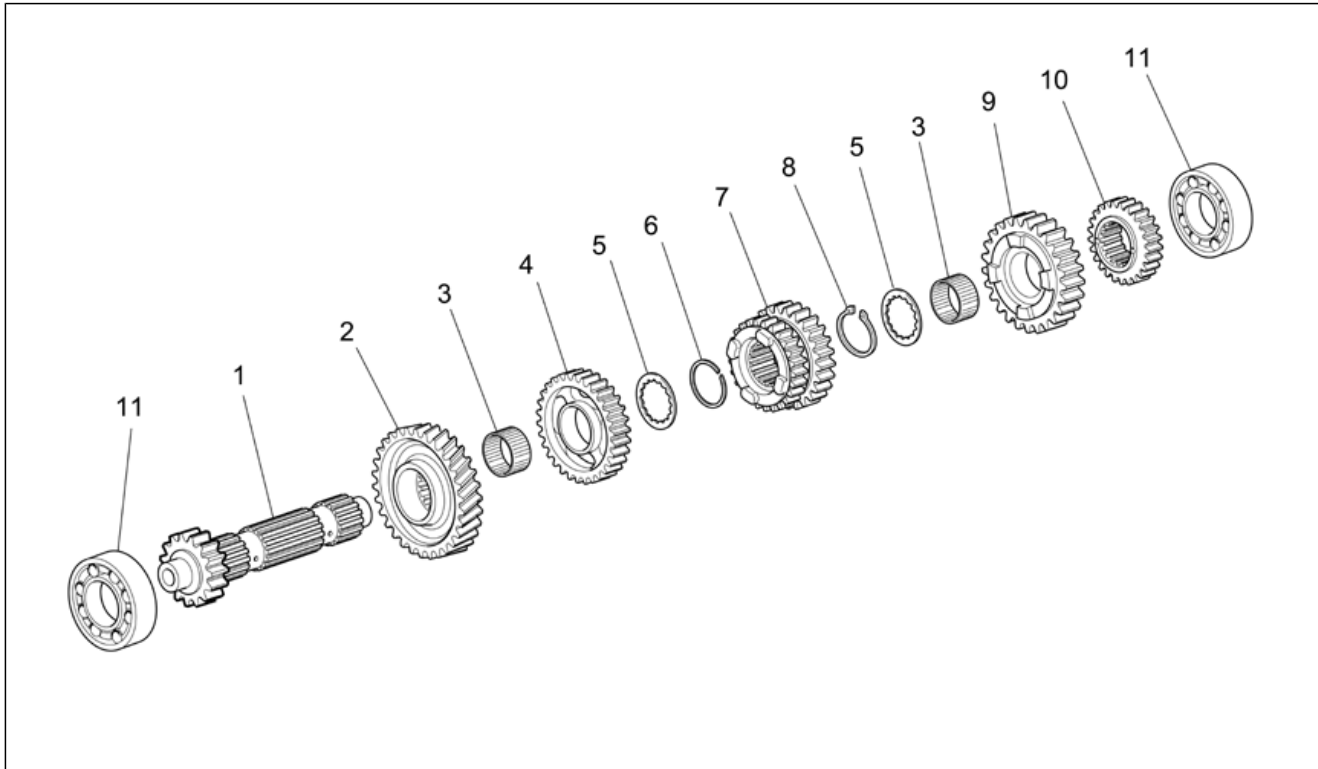
Pos.	Code	Description	Qty	Variants
1	GU05200531	Clutch drum	1	
2	GU97202355	Screw w/ flange M6x55	14	
3	GU93180220	Cover	1	
4	GU98370616	Hex socket screw M6x16 inox	3	
5	GU05200231	Transmission cage	1	
6	GU95980319	Oil plug M18x1,5	1	
7	GU18144350	Washer 18,25x24x1	1	
8	GU05204930	Breather plug	1	
9	GU01528930	Gasket 10x18x1,5	2	
10	GU19207220	Sensor	1	
11	B063025	Guarnizione 8,7x14,2x1,3	1	
12	GU90401424	Gasket ring 14x24x7	1	
13	GU31003766	Oil unload plug M10x1	1	
14	GU19002020	Bushing 6,6x9x13	2	
15	AP8101595	Hose clamp D10,1	1	
16	AP8120952	Fuel pipe 5,5x10	1	
17	GU05991530	Gear box assy	1	

<b>Group</b>	ENGINE
<b>Code</b>	34.50
<b>Description</b>	Gear box selector
<b>Service</b>	1



Pos.	Code	Description	Qty	Variants
1	GU05234431	Shift cam cpl.	1	
2	GU05234631	Pin	6	
3	GU05235531	Spacer	1	
4	GU90271022	Circlip	1	
5	GU92201117	Ball bearing 17x35x10	1	
6	GU92201025	Ball bearing 25x42x9	1	
7	GU05236231	Preselection complete	1	
8	GU05238231	Spring	1	
9	GU05238431	Bushing	1	
10	GU05234731	Lever Index	1	
11	GU05234130	Spring	1	
12	GU05234230	Spacer	1	
13	GU05234931	Fixing pin	1	
14	GU05238331	Spring	1	
15	GU05238131	Spacer	1	
16	GU90271014	Circlip	2	
17	GU05239330	Fifth wheel	1	
18	GU05230531	Fork 1a-3a	1	
19	GU05232431	Fork shaft	1	
20	GU05232631	Fork 5a-6a	1	
21	GU05230831	Fork 2a-4a	1	
22	GU90353014	Circlip	1	

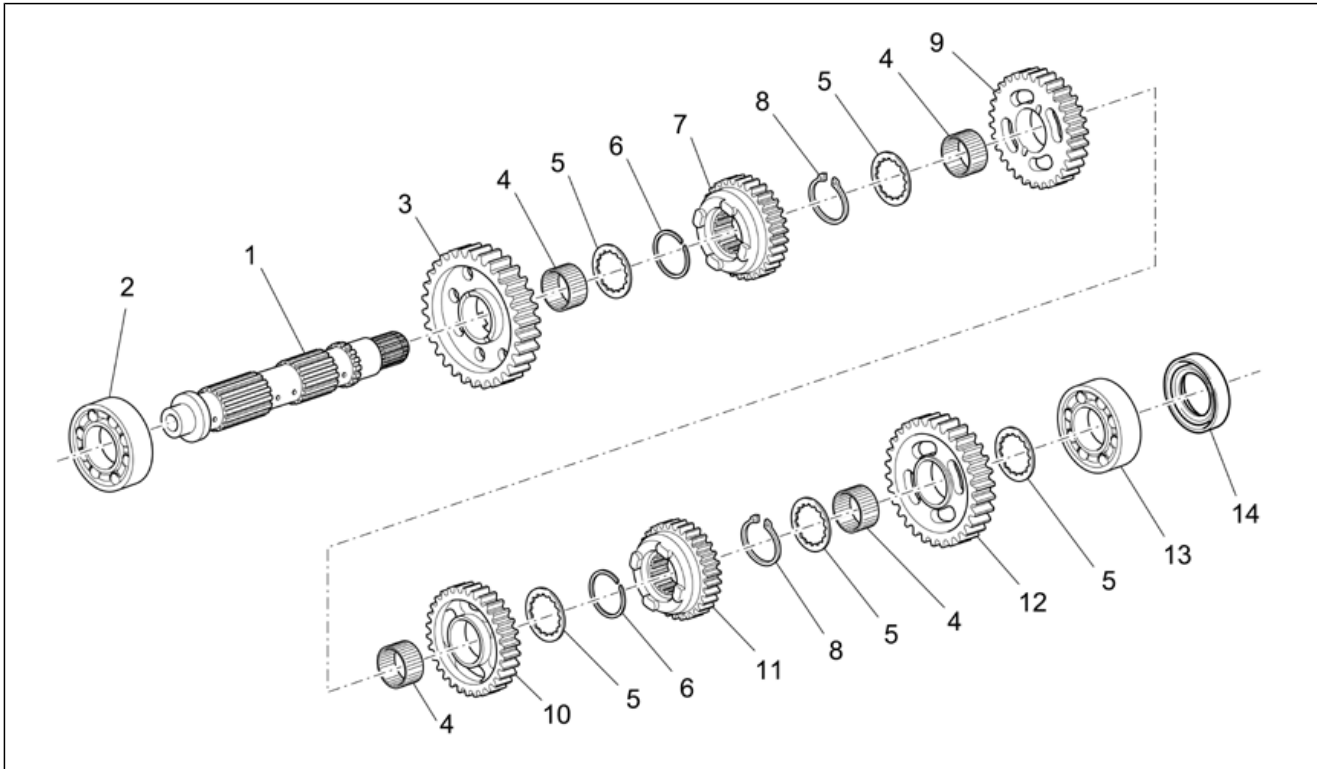
<b>Group</b>	ENGINE
<b>Code</b>	34.51
<b>Description</b>	Primary gear shaft
<b>Service</b>	1



Pos.	Code	Description	Qty	Variants
1	GU05210631	Primary gear shaft Z=17	1	
2	GU05215631	Drive gears Z=35	1	
3	GU92252029	Roller cage 26x30x15,6	2	
4	GU05212031	Gear 5a Z=31	1	
5	GU05214630	Clearance washer	2	
6	GU90271230	Snap ring 30x1,2SW	1	
7	GU05211431	Gear 3a-4a Z=23-26	1	
8	GU90271030	Snap ring 30x27,9	1	
9	GU05212631	Gear 6a Z=29	1	
10	GU05211331	Gear 2a Z=20	1	
11	GU92201822	Ball bearing 20x52x15	2	

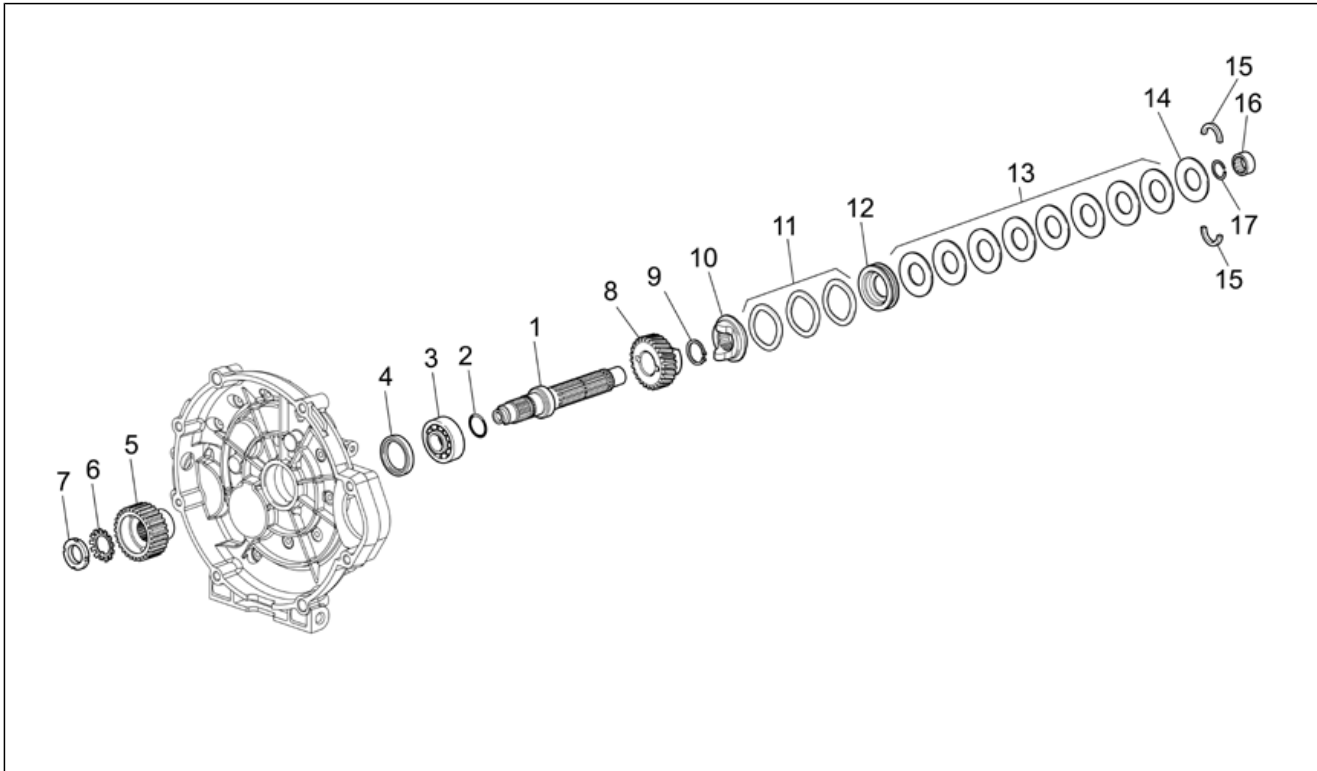


<b>Group</b>	ENGINE
<b>Code</b>	34.52
<b>Description</b>	Driven shaft
<b>Service</b>	1



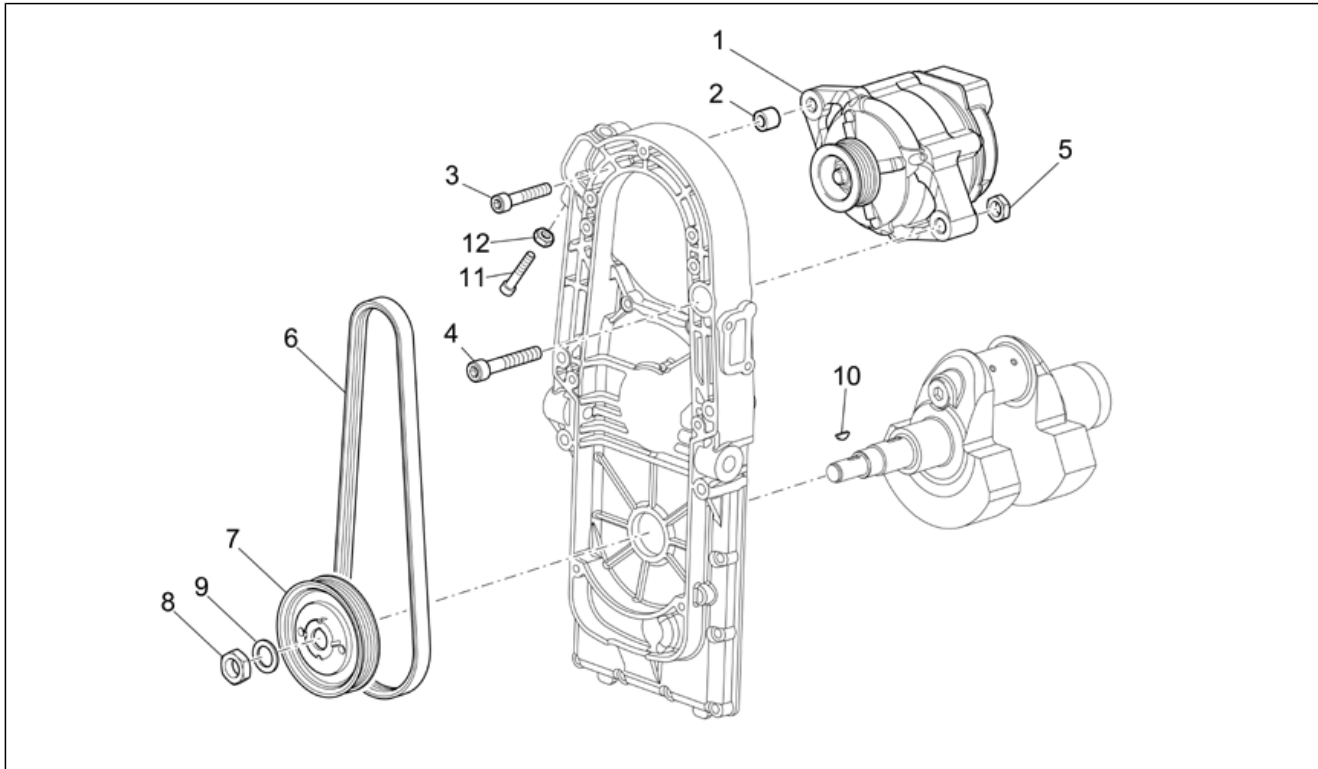
Pos.	Code	Description	Qty	Variants
1	GU05213631	Driven shaft	1	
2	GU92201822	Ball bearing 20x52x15	1	
3	GU05214231	Gear 1a Z=38	1	
4	GU92252029	Roller cage 26x30x15,6	4	
5	GU05214630	Clearance washer	5	
6	GU90271230	Snap ring 30x1,25W	2	
7	GU05214031	Gear 5a Z=30	1	
8	GU90271030	Snap ring 30x27,9	2	
9	GU05214731	Gear 3a Z=31	1	
10	GU05215031	Gear 4a Z=29	1	
11	GU05220531	Gear 6a Z=25	1	
12	GU05214431	Gear 2a Z=34	1	
13	GU92201226	Ball bearing 25x52x15	1	
14	GU90412541	Gasket ring 25X40X7	1	

<b>Group</b>	ENGINE
<b>Code</b>	34.53
<b>Description</b>	Clutch shaft
<b>Service</b>	1



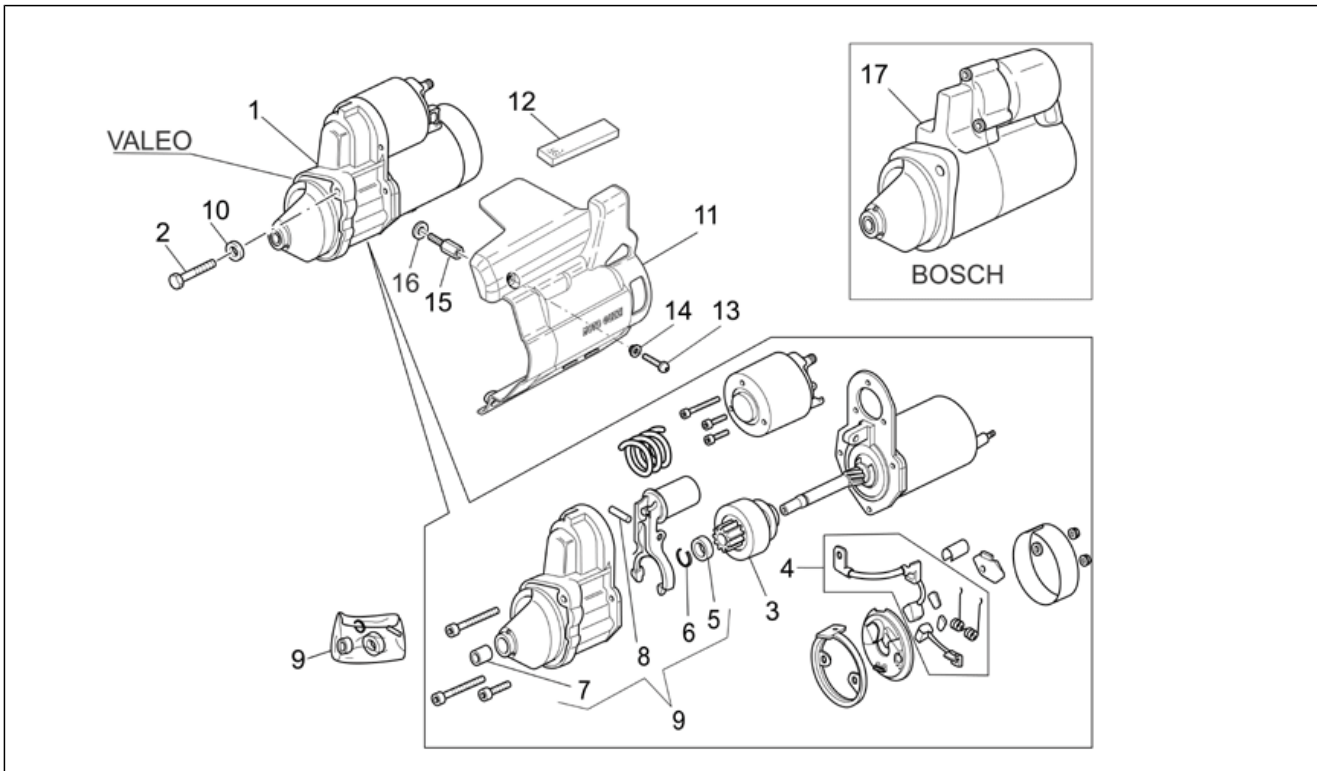
Pos.	Code	Description	Qty	Variants
1	GU05210731	Clutch shaft	1	
2	GU90706203	O-ring 20,24X2,62	1	
3	GU92201226	Ball bearing 25x52x15	1	
4	GU90403549	Gasket ring 35x47x7	1	
5	GU05081830	Clutch gear	1	
6	GU95028022	Washer 22x20x3,9	1	
7	GU93601022	Ring nut	1	
8	GU05211131	Idle gear Z=26	1	
9	GU90271125	Snap ring 25x2	1	
10	GU05211231	Hose	1	
11	GU95129340	Washer	3	
12	GU05211030	Disc	1	
13	GU05211530	Belleville spring	8	
14	GU05211630	Disc	1	
15	GU12211700	Half ring	2	
16	GU92232028	Roller bearing 20x28x13	1	
17	GU90272028	Snap ring 28x30,1	1	

<b>Group</b>	ENGINE
<b>Code</b>	34.54
<b>Description</b>	Current generator
<b>Service</b>	1



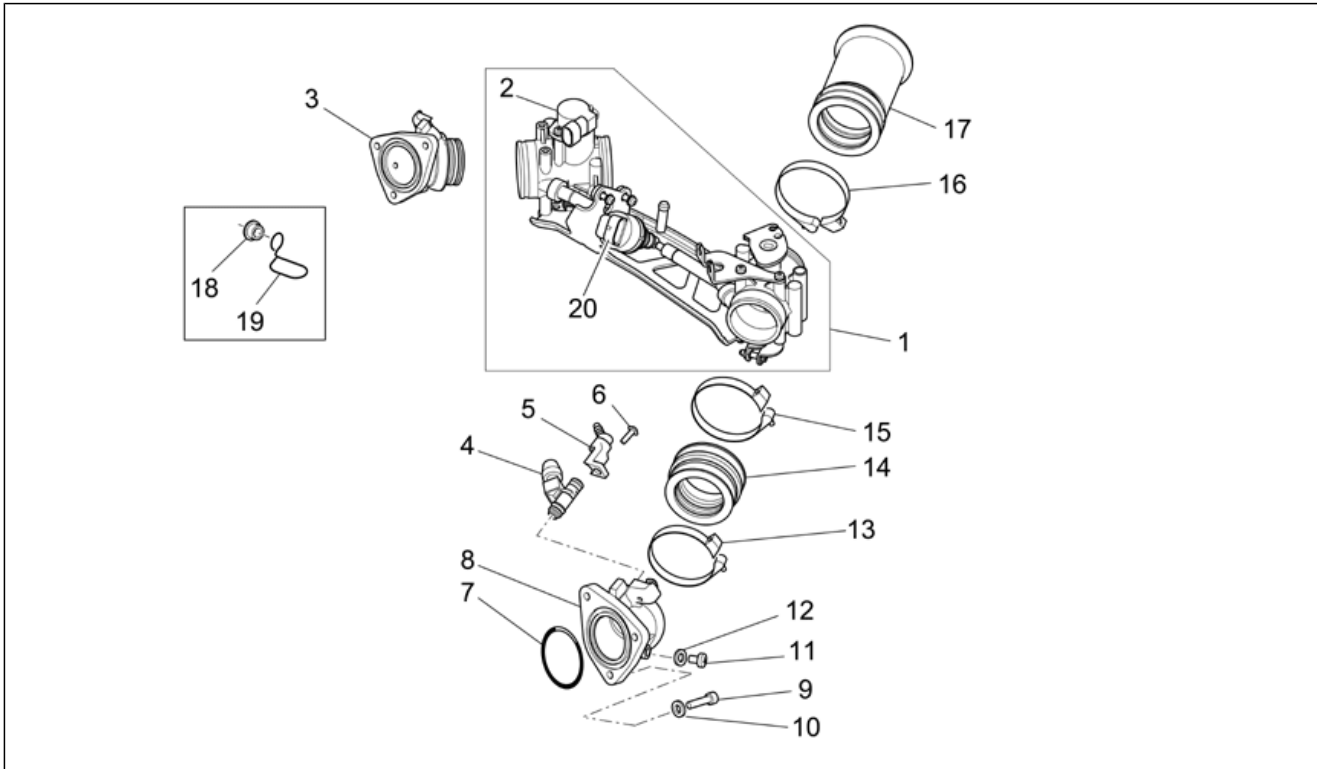
Pos.	Code	Description	Qty	Variants
1	GU05712431	Generator	1	
2	GU91180823	Spacer 8,5x17x13	1	
3	GU98620445	Hex socket screw M8x45	1	
4	GU98620560	Hex socket screw M10x60	1	
5	GU92660012	Nut M10X1,5	1	
6	GU05702530	Belt	1	
7	GU05701430	Generator lever pulley	1	
8	GU92606516	Nut M16	1	
9	GU30714201	Washer 16,25x24,5x5	1	
10	AP4FAN000030	Flywheel magneto key	1	
11	GU98230850	Hex socket screw M8x50	1	
12	GU92605408	Nut M8x1,25	1	

<b>Group</b>	ENGINE
<b>Code</b>	34.55
<b>Description</b>	Starter motor
<b>Service</b>	1



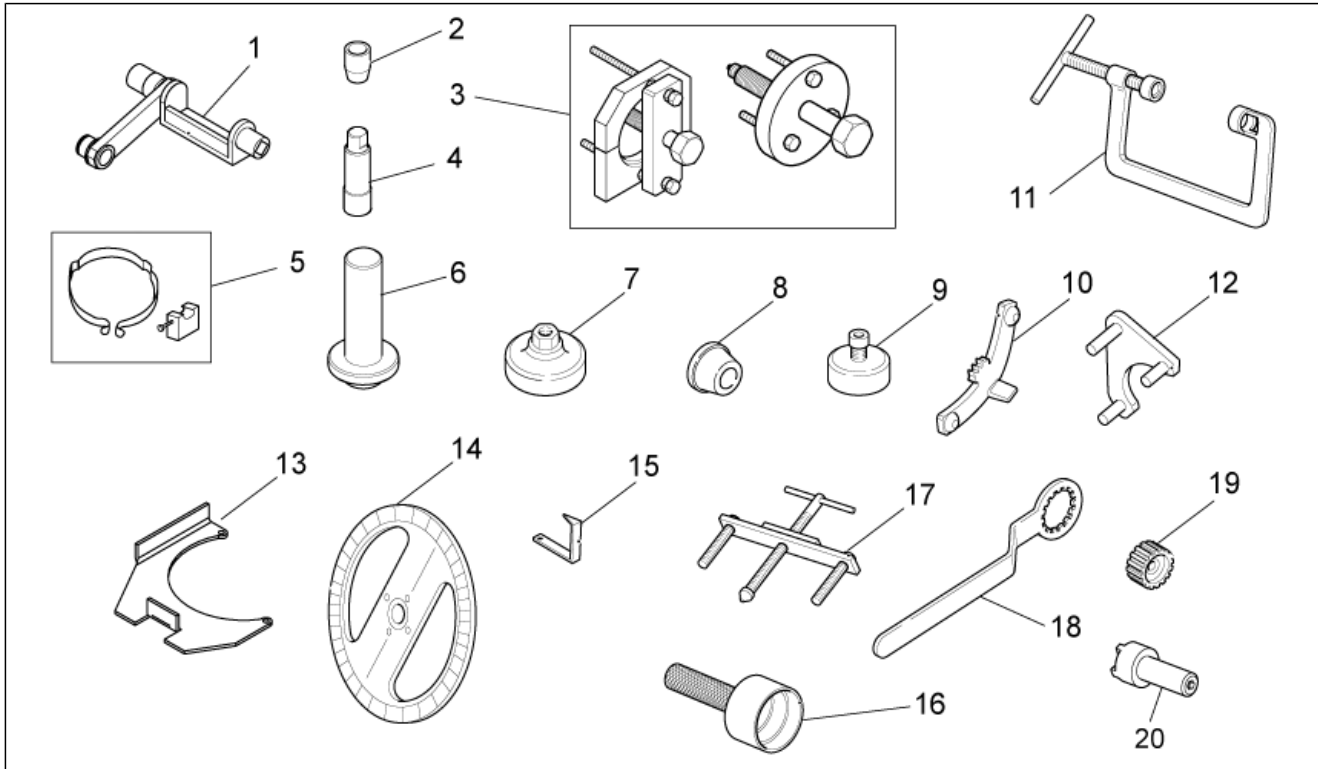
Pos.	Code	Description	Qty	Variants
1	GU30730711	Starter motor Valeo	1	
2	GU98082475	Hex screw M8x75	2	
3	GU30530510	Pinion assy	1	
4	GU30530511	Brush revision set	1	
5	0000000	Tyre	1	
6	0000000	Tyre	1	
7	0000000	Tyre	1	
8	0000000	Tyre	1	
9	GU30530512	Starter motor revision kit	1	
10	GU95008208	Washer 8,4X15X1,5	2	
11	GU05733330	Cover chrime grey	1	
12	AP8117200	Adhesive sponge	1	
13	GU98350312	Hex socket screw M6x12	2	
14	AP8121032	Bush	2	
15	GU03469201	Stud bolt	1	
16	GU03013800	Washer 6,4x12	1	
17	GU05730730	Starter motor Bosch	1	

<b>Group</b>	ENGINE
<b>Code</b>	34.56
<b>Description</b>	Throttle body
<b>Service</b>	1



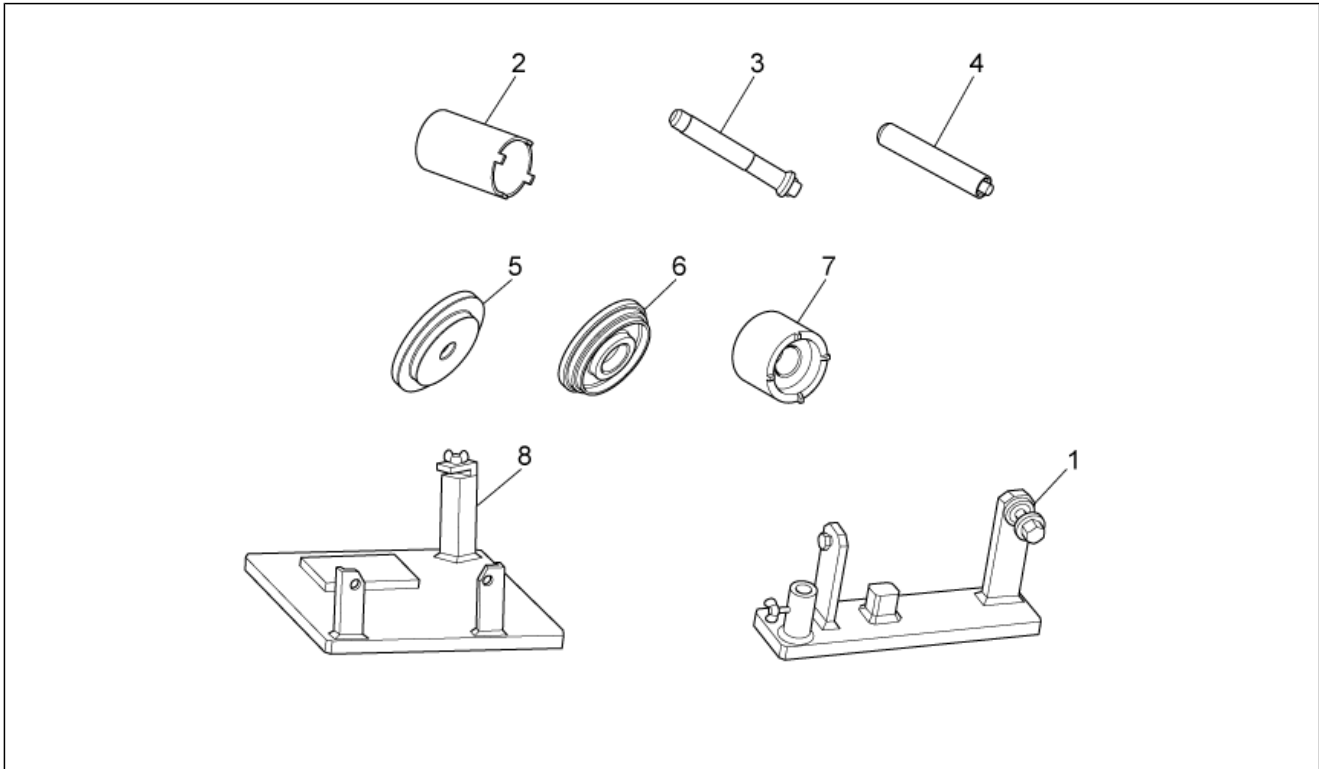
Pos.	Code	Description	Qty	Variants
1	GU05112530	Throttle assy	1	
2	GU05112830	Potentiometer	1	
3	GU05115030	RH manifold	1	
4	GU05115730	Injector kit complete	2	
5	GU32115610	Cap	2	<b>Technical Specifications:First series[1A]</b>
6	AP8152298	Screw w/ flange M5x16	2	
7	GU90706461	O-ring 46,04x3,53	2	
8	GU05115031	LH manifold	1	
9	GU98682325	Hex socket screw M6x25	6	
10	GU95008206	Washer 6,15x11x0,8	6	
11	GU98350310	Hex socket screw M6x20	2	
12	GU95100116	Washer 6,25x10x1,5	2	
13	GU93305057	Hose clamp 57x59,5x10	2	
14	GU01114390	Hose	2	
15	GU93305061	Hose clamp 61/65,5	2	
16	GU93305058	Hose clamp	2	
17	GU05114430	Intake hose	2	
18	GU31576183	Spacer	1	
19	AP8120428	Cable-guide	1	
20	GU05135830	Min.regulation engine	1	

<b>Group</b>	SPECIAL TOOLS
<b>Code</b>	36.58
<b>Description</b>	Specific tools I
<b>Service</b>	1



Pos.	Code	Description	Qty	Variants
1	GU05948630	Belt tensioning tool	1	
2	GU05911730	Front cover installation cone	1	
3	GU05912530	Gearbox opening tool	1	
4	GU05901930	Spark plug spanner	1	
5	GU05928030	Piston ring clamp	1	
6	GU05927230	Timing cover seal drift	1	
7	GU01929100	Wrench remov.cover sump/filter	1	
8	GU12912000	Flange flywheel side	1	
9	GU14927100	Seal ring onto flange fly.side	1	
10	GU12911801	Lock flywh.starter motor gear	1	
11	GU10907200	Valve removal and fitting	1	
12	GU14927300	Clamping the camshaft gearing	1	
13	GU05902530	Gearbox housing support	1	
14	GU19929600	Index plate tim.sett./ign.cont	1	
15	GU17947560	Arrow tim.set.ignition control	1	
16	GU19927100	Seal ring flange flywheel side	1	
17	GU12913600	Flange removal flywheel side	1	
18	GU30912810	Locking clutch internal body	1	
19	GU30906510	Tool for clutch assembly	1	
20	GU14912603	Key	1	

<b>Group</b>	SPECIAL TOOLS
<b>Code</b>	36.59
<b>Description</b>	Specific tools II
<b>Service</b>	1



Pos.	Code	Description	Qty	Variants
1	GU05902736	Bevel gears support	1	
2	AP8140190	Steering lock tool	1	
3	GU05902732	Handle for drifts	1	
4	GU05902733	Ball joint seal drift	1	
5	GU05902731	Transmis.box oil seal drift 85	1	
6	GU05902735	Sprocket oil seal drift 45x58	1	
7	GU05902734	Wrench for sprocket ring nut	1	
8	GU05902730	Transmission box support	1	