

---

850  
*Eldorado*

**SPARE PARTS  
CATALOGUE**



**MOTO GUZZI**

---

**SEIMM**

SOCIETÀ ESERCIZIO INDUSTRIE MOTOMECCANICHE S.p.A.  
Capitale sociale: L. 2.000.000.000 interamente versato  
Sede legale: Milano  
Registro Imprese Milano N. 130902  
Direzione e Stabilimenti: 22054 Mandello del Lario (CO)  
Telefoni: 71112 e 72512 (8 linee urbane)  
Telegrammi: SEIMM MANDELLOLARIO  
Telex: 38095 SEIMM



**MOTO GUZZI**

---

C.C.I.A.A. Milano N. 722044 - Como N. 117437 ■ C.C. Postale Como N. 18/4226 ■ Posizione Commercio Estero M 986753



**AND VARIANTS FOR « 850 CALIFORNIA POLICE »**

(From page 71 to 83)

**SPARE PARTS CATALOGUE**

**NOVEMBER 1972 - 1st EDITION**



## CONDITIONS OF SALE

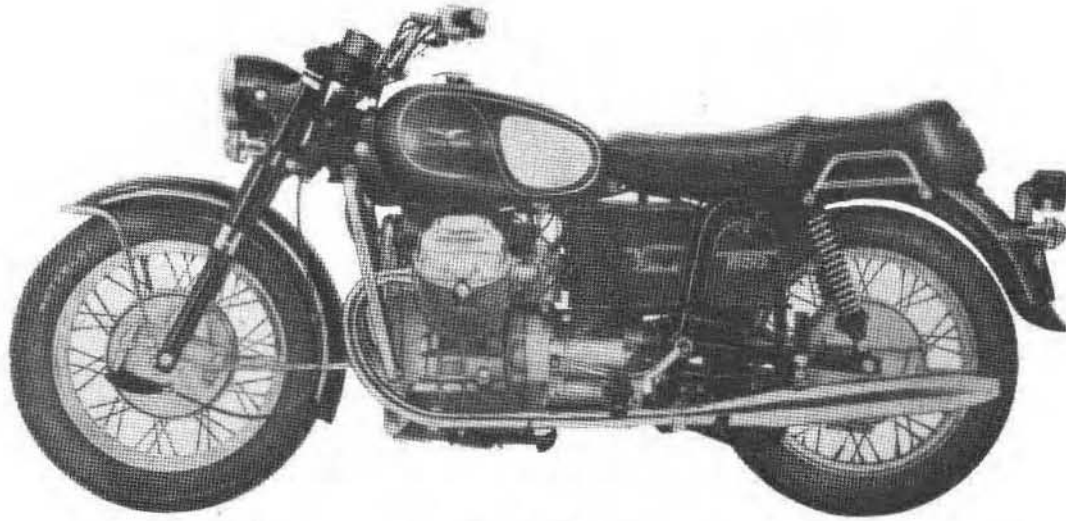
- SALES** : All spare parts supplies are subject to goods availability at the time the order is received.
- PRICES** : All prices appearing in the official price list are net ex-factory prices. Any tax or charge inherent to the buying and selling transaction shall be entirely on the buyers.
- DELIVERY AND SHIPMENT** : Moto Guzzi shall not be held liable for any delayed delivery. Any indicated time is only informative and not binding. All goods travel at buyers' risk, including C.O.D. deliveries.
- DISTRIBUTORS** : Any order obtained by the Distributor shall not be binding on Moto Guzzi who reserves the right to decide its execution or not.
- CLAIMS** : Any claim for parts received in a damaged condition, not corresponding to the order, or short supplied is to be made within 8 days from the receipt of such parts.
- LIABILITY** : Moto Guzzi shall not be held responsible for any damages to persons or property arising out from the use of its products, even if such damages be caused by structural or machining defects of the material supplied.

## HOW TO ORDER

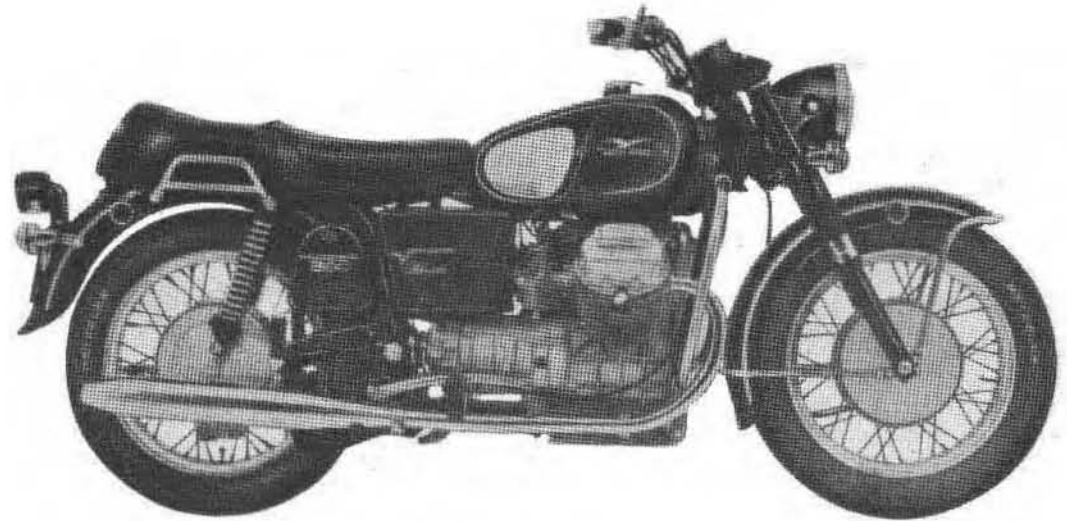
All orders should contain the following information:

- Transport means required
- Engine number of machine
- Description of part and part number
- Quantity.

All original Moto Guzzi parts are stamped with the registered trade mark and may be obtained from the general distributors or the officially appointed Moto Guzzi dealers.



**Fig. 1 - Right view**



**Fig. 2 - Left view**

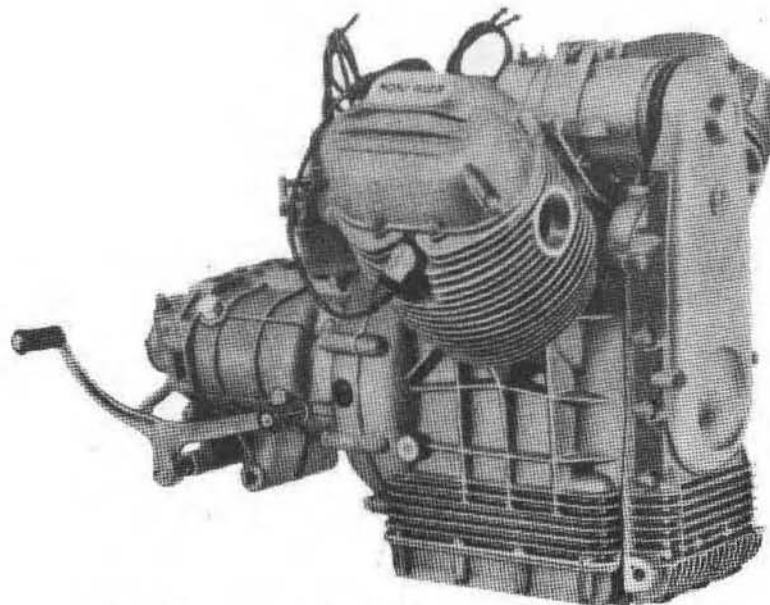


Fig. 3 - Engine, c/w clutch, with gearshift ass.y

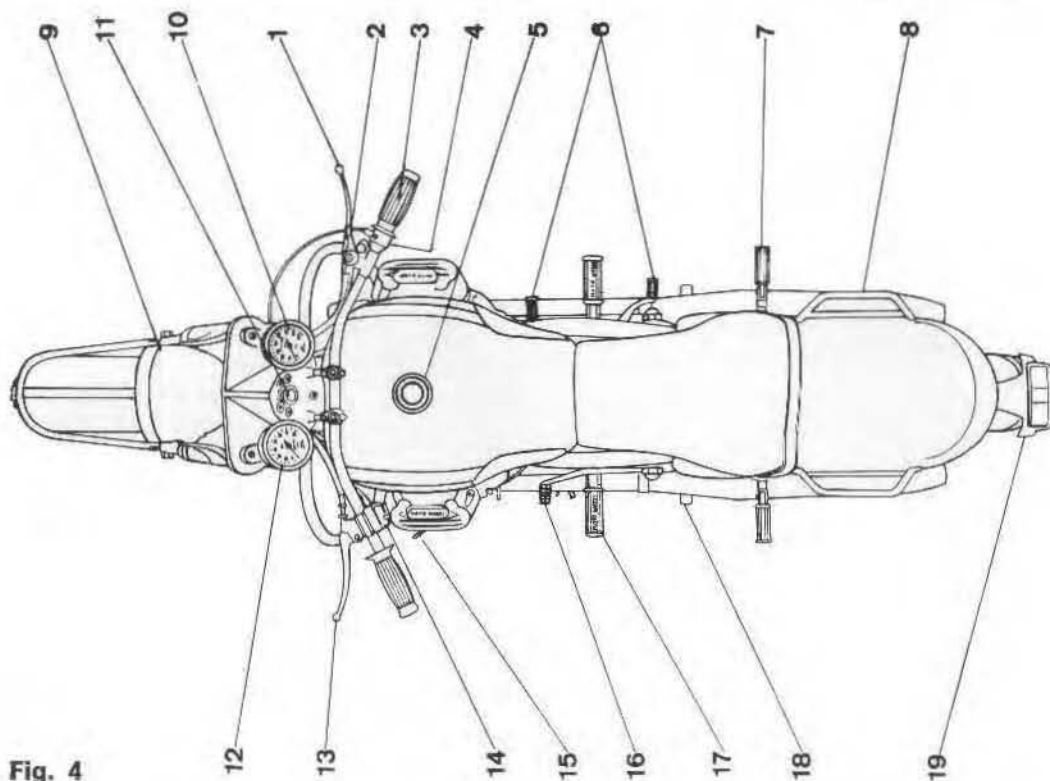


Fig. 4

### CONTROLS AND ACCESSORIES

(see fig. 4)

1. Front brake lever
2. Air control lever
3. Throttle control grip
4. Starter button
5. Filler cap
6. Gearshift lever
7. Pillion footrests
8. Pillion handgrip
9. Headlight
10. Speedometer
11. Ignition key
12. Rev-counter
13. Clutch lever
14. Light switch and horn button
15. Side stand
16. Rear brake pedal
17. Footrests
18. Center stand
19. Tail light

N.B. - The terms « right » and « left » in the text are used in the sense they would appear to one sitting in the saddle.

## MAIN FEATURES

|                                 |  |  |
|---------------------------------|--|--|
| <b>ENGINE</b><br>(See fig. 5/1) | <p>Cycle : 4 strokes</p> <p>Number of cylinders : 2</p> <p>Cylinder disposition : « V » 90°</p> <p>Bore : 83 mm (3.26")</p> <p>Stroke : 78 mm (3.07")</p> <p>Displacement : 844.05 cc. (51,5 cu.in)</p> <p>Compression ratio : 9.2 to 1</p> <p>Revs at maximum engine speed : 6500 r.p.m.</p> <p>Output at maximum engine speed : 64 HP SAE</p> <p>Crankcase : in light alloy</p> <p>Cylinders : in light alloy with hard chromed barrels</p> <p>Cylinder heads : in light alloy, hemispherical, with special cast iron inserted seats</p> <p>Crankshaft : steel construction</p> <p>Crankshaft supports : in anti-friction material pressed in 2 suitable housings</p> <p>Connecting rods : steel construction with AL-TIN alloy thin wall bearings</p> <p>Pistons : in light alloy</p> | <p>— Atomizer : 265</p> <p>— Main jet : 145</p> <p>— Pilot jet : 45</p> <p>— Starter atomizer : 80</p> <p>With needle SV5 second notch from top: idling screw open 1½ to 2 turns for the left carburetor and 2-2½ turns for the right carburetor.</p> <p>Air intake provided with dry filter.</p>  |
| <b>Valve gear</b>               | <p>O.H.V., push rod operated via the camshaft in the crankcase and gear driven by the crankshaft.</p> <p>Inlet:</p> <p>— opens 24° before TDC</p> <p>— closes 58° after BDC</p> <p>Exhaust:</p> <p>— opens 58° before BDC</p> <p>— closes 22° after TDC</p> <p>Rocker clearance for valve timing:</p> <p>— 0,5 mm. (.0196")</p> <p>Normal rocker clearance (cold engine):</p> <p>— inlet 0,15 mm. (.0059")</p> <p>— exhaust 0,20 mm. (.0098")</p>  | <p><b>Lubrication</b></p> <p>Pressure, by gear driven by the crankshaft. Oil strainer in crankcase.</p> <p>Normal lubrication pressure 3.8-4.2 kgs/sq. cm. (54 to 60 lbs sq.in.) controlled by relief valve. Electrically controlled oil pressure gauge.</p>   |
| <b>Carburation</b>              | <p>2 Dell'Orto carburetors type VHB 29 CD (right) and VHB 29 CS (left), both gravity fed from the tank.</p> <p><b>Standard carburetor setting</b></p> <p>— Choke : 29 mm.</p> <p>— Throttle slide : 60</p>   | <p><b>Cooling</b></p> <p>By air. Cylinder and cylinder head deeply finned.</p>   |
|                                 |  | <p><b>Ignition</b></p> <p>By battery with automatic advance distributor.</p> <p>Initial advance: 5°.</p> <p>Automatic advance: 28°.</p> <p>Ignition timing 33° full advance.</p> <p>Contact breaker gap: 0.42-0.48 mm. (.016"-.018"),</p> <p>Spark plug: n. 225 in Bosch-Marelli scale or equivalent (long thread Ø 14 x 1,25).</p> <p>Plugs point gap: 0.6 mm. (0,23").</p> <p>Ignition coil.</p> |
|                                 |  | <p><b>Starting</b></p> <p>Electric starter with electromagnetic ratchet control.</p> <p>Ring gear bolted on flywheel. Operated by starter button on the right handlebar.</p>   |
|                                 |  | <p><b>Exhaust system</b></p> <p>Dual exhaust pipes and mufflers.</p>   |
|                                 |  | <p><b>TRANSMISSION</b></p>   |
|                                 |  | <p><b>Clutch</b></p> <p>Twin driven plates, dry type, flywheel driven. Controlled by lever on the left handlebar.</p>  |
|                                 |  | <p><b>Gear box</b></p> <p>Five speeds, frontal engagement. Helical constant mesh gears. Cush drive incorporated.</p> <p>Separate case bolted on crankcase, operated by rocker pedal from the R/H or L/H side of the machine.</p> <p>Engine gear-box ratios: 1 to 1.235 [17-21]</p>   |



## MAIN FEATURES

|                                      |   |                             |
|--------------------------------------|---|-----------------------------|
|                                      | Internal gear ratios:   |                             |
|                                      | — low gear . . . . .  | 1 to 2 (14-28)              |
|                                      | — second gear . . . . .   | 1 to 1.388 (18-25)          |
|                                      | — third gear . . . . .  | 1 to 1.047 (21-22)          |
|                                      | — fourth gear . . . . .   | 1 to 0.868 (23-20)          |
|                                      | — high gear . . . . .   | 1 to 0.750 (24-18)          |
| <b>Secondary drive</b>               | By constant speed double joint cardan shaft.<br>Layshaft - bevel gear ratio:  | 1 to 4.625 (8-37)           |
|                                      | Overall gear ratios:  |                             |
|                                      | — low gear . . . . .  | 1 to 11.424                 |
|                                      | — second gear . . . . .   | 1 to 7.929                  |
|                                      | — third gear . . . . .  | 1 to 5.980                  |
|                                      | — fourth gear . . . . .   | 1 to 4.964                  |
|                                      | — high gear . . . . .   | 1 to 4.284                  |
| <b>FRAME</b>                         | Duplex cradle, tubular structure.   |                             |
| <b>Suspension</b>                    | Telescopic front fork incorporating hydraulic dampers.<br>Rear swinging fork with externally adjustable springs.  |                             |
| <b>Wheels</b>                        | WM 3/2,15 x 18".  |                             |
| <b>Tires</b>                         | 4.00 x 18 front and rear, block type (Supersport).  |                             |
| <b>Tire pressure</b>                 | Front tire:   |                             |
|                                      | so  | } 1.5 kgs/sq.cm. = 21 ps.i. |
|                                      | with passenger  |                             |
|                                      | Rear tire :   |                             |
|                                      | so  | 1.8 kgs/sq.cm. = 25 p.s.i.  |
|                                      | with passenger  | 2.0 kgs/sq.cm. = 28 p.s.i.  |
|                                      | <small>N.B. - The above recommendation is for normal riding (cruising speed). If using the machine at constant high speed or on motorways, the above pressure should be increased by 0.2 kgs/sq.cm. (2.8 p.s.i.).</small> |                             |
| <b>Brakes</b>                        | Expanding type, 220 mm. dia. (8.66").<br>Twin leading shoes front brake operated by hand lever on the right handlebar.<br>Large rear brake operated on left hand side of machine.   |                             |
| <b>Overall dimensions and weight</b> | Wheelbase   | 1.470 mts. (about 57.8" )   |
|                                      | Length  | 2.245 mts. (about 88.3" )   |
|                                      | Width   | 0.795 mts. (about 31.3" )   |
|                                      | Height (dry)  | 1.050 mts. (about 41.3" )   |
|                                      | Minimum ground clearance  | 0.150 mts. (about 5.9" )    |
|                                      | Curb weight   | 249 kgs. (about 548 lbs.)   |

|                                |  |  |
|--------------------------------|--|--|
| <b>Performances</b>            | Maximum permissible speeds in each gear, solo riding:  |  |
|                                | — bottom gear  | 68 kms/h ( 42 m.p.h.)<br>climbability: 86%                     |
|                                | — second gear  | 98 kms/h ( 61 m.p.h.)<br>climbability: 46%                     |
|                                | — third gear   | 131 kms/h ( 82 m.p.h.)<br>climbability: 28%                    |
|                                | — fourth gear  | 164 kms/h (102 m.p.h.)<br>climbability: 17%                    |
|                                | — high gear  | 193 kms/h (120 m.p.h.)<br>climbability: 8,9%                   |
| <b>Passing ability</b>         | Passing of a 55 feet long truck travelling at 20 m.p.h.  |  |
|                                | — Time   | : 6,5 seconds  |
|                                | — Distance travelled   | : 334 feet   |
|                                | Passing of a 55 feet long truck travelling at 50 m.p.h.  |  |
|                                | — Time   | : 8,7 seconds  |
|                                | — Distance travelled   | : 900 feet   |
|                                | The above includes a safety distance of 40 and 100 feet respectively between the passing and pace vehicle at the beginning and end of the manoeuvre. |  |
| <b>Braking ability</b>         | Stopping distance from 60 m.p.h. (Solo, using both brakes)   | : 182 feet   |
|                                | Stopping distance with passenger from 60 m.p.h. (using both brakes)  | : 198 feet   |
| <b>Fuel and oil capacities</b> |  |  |
|                                | Group or part  | Quality Recommendation   |
|                                | Fuel tank  | 22,5 liters (5.84 US gls.) Petrol 98/100 NO                    |
|                                | Reserve  | 4 liters (1 US gls.) (Regular octane)                          |
|                                | Sump   | 3 liters (3 ¼ quarts) Shell Super 100 multigrade or equivalent |
|                                | Transmission   | 0.750 liters (1 ¾ pints) Shell Spirax H.D. 90                  |
|                                | Rear drive box (bevel set lubrication)   | 0.230 liters (½ pint) Shell Spirax H.D. 90                     |
|                                | Front fork dampers (each leg)  | 0.160 liters (5.4 oz. US) Shell Tellus 33                      |

## INDEX TO PLATES

| Model   | Main group   | SUB - ASSEMBLY   | Plate No. |
|---|--|--|-----------|
| V 850 TWIN  | ENGINE   | Cylinders - Cylinder heads - Rocker boxes - Rocker assemblies - Valves . . . . .               | 1         |
|   |  | Crankcase and covers . . . . .   | 2         |
|   |  | Crankshaft - Connecting rods - Pistons - Timing gears . . . . .                                | 3         |
|   |  | Oil pump - Oil lines - Filter - Breather unit - Oil pressure solenoid . . . . .                | 4         |
|   |  | Fuel tank - Exhaust pipes - Mufflers . . . . .   | 5         |
|   |  | Carburetor - Control cables - Air cleaner . . . . .  | 6         |
|   | PRIMARY DRIVE  | Clutch and controls . . . . .  | 7         |
|   |  | Gear box and covers . . . . .  | 8         |
|   |  | Gear box - Shafts - Controls . . . . .   | 9         |
|   | REAR WHEEL DRIVE   | Rear fork - Drive box - Drive shaft and bevel gears . . . . .                                  | 10        |
|   | FRAME  | Frame - Center stand - Side stand - Footrest pivot - Pillion footrests - Rear fender . . . . . | 11        |
|   | FRONT SUSPENSION<br>STEERING                                 | Steering - Front fork - Front fender . . . . .   | 12        |
|   | STEERING   | Handlebar and controls . . . . .   | 13        |
| INSTRUMENT PANEL  | Speedometer and rev-counter . . . . .                        | 14   |           |
| WHEELS<br>BRAKES  | Front wheel - Wheel hub - Front brake and controls . . . . . | 15   |           |
|   | Rear wheel - Hub - Rear brake and controls . . . . .         | 16   |           |
| ELECTRICAL<br>EQUIPMENT   | Ignition and lighting . . . . .                              | 17   |           |
|   | Headlight - Battery - Horn - Tail light - Cables . . . . .   | 18   |           |
| STANDARD<br>ACCESSORIES   | Saddle bags . . . . .  | 19   |           |
|   | Fairing - Windscreen . . . . .                               | 20   |           |
|   | Turn light indicators . . . . .                              | 21   |           |
| TOOLS   | Tool kit - Gaskett - Seal set . . . . .                      | 22   |           |
| <b>PARTS FOR 850 cc CALIFORNIA ONLY (From page 71 to page 84)</b> |  |  |           |
| ADDITIONAL<br>PLATES<br>(From page 85 to<br>page 97)              | ELECTRICAL<br>EQUIPMENT<br>BREAKDOWN                         | Head and tail lights . . . . .   | 50        |
|   |  | Starter motor . . . . .  | 51        |
|   |  | Generator . . . . .  | 52        |
|   |  | Distributor . . . . .  | 53        |
|   | ENGINE   | Carburetor . . . . .   | 54        |







## NUMERICAL INDEX

| Order No. | Plate No. | Figure No. | Order No. | Plate No. | Figure No. | Order No. | Plate No. | Figure No. | Order No. | Plate No. | Figure No. | Order No. | Plate No. | Figure No. | Order No. | Plate No. | Figure No. |
|-----------|-----------|------------|-----------|-----------|------------|-----------|-----------|------------|-----------|-----------|------------|-----------|-----------|------------|-----------|-----------|------------|
| 12620200  | 15        | 18         | 12700126  | 52        | 26         | 12715437  | 53        | 36         | 12730537  | 51        | 36         |           |           |            |           |           |            |
| 12620800  | 15        | 19         | 12700127  | 52        | 27         | 12715438  | 53        | 37         | 12730538  | 51        | 37         | 12747700  | 17        | 46/1       | 13037400  | 1         | 19         |
| 12621400  | 15        | 20         | 12700128  | 52        | 28         | 12715439  | 53        | 38         | 12730539  | 51        | 38         | 12747900  | 18        | 42         | 13037600  | 1         | 20         |
| 12621500  | 15        | 38         | 12700130  | 52        | 30         | 12715440  | 53        | 39         | 12730540  | 51        | 39         | 12748600  | 18        | 45         | 13038000  | 1         | 18         |
| 12622500  | 15        | 27         | 12700131  | 52        | 31         | 12715441  | 53        | 40         | 12730541  | 51        | 40         | 12750300  | 21        | 23         | 13060160  | 1         | 55         |
|           | 16        | 31         | 12700205  | 17        | 10         | 12715442  | 53        | 41         | 12730542  | 51        | 41         | 12750605  | 21        | 14         | 13060260  | 3         | 17/1       |
|           | 16        | 31         |           | 52        | A          | 12715443  |           |            | 12730705  | 17        | 45         | 12750705  | 21        | 16         | 13060460  | 3         | 17         |
| 12623200  | 15        | 24         | 12700300  | 17        | 11         | 12715444  | 53        | 42         | 12730705  | 51        | A          | 12750805  | 21        | 17         | 13060700  | 3         | 18         |
| 12625000  | 15        | 29         | 12700610  | 17        | 20         | 12715445  | 53        | 43         | 12730723  | 53        | 28         | 12751305  | 21        | 10         | 13060800  | 3         | 19         |
| 12625300  | 15        | 28         | 12700700  | 17        | 14         | 12715446  | 53        | 44         | 12730760  | 53        | 20         | 12751405  | 21        | 11         | 13060999  | 3         | 20         |
| 12626300  | 15        | 22         | 12700900  | 17        | 18         | 12715701  | 17        | 24         | 12731000  | 17        | 45/1       | 12751705  | 21        | 32         | 13061260  | 3         | 21         |
| 12626600  | 15        | 31         | 12702505  | 17        | 21         | 12715901  | 17        | 25         | 12732500  | 17        | 61         | 12755005  | 21        | A          | 13064260  | 3         | 10         |
| 12626700  | 15        | 32         | 12702900  | 17        | 44         | 12716200  | 17        | 29         | 12732605  | 17        | 66         | 12755105  | 21        | B          | 13071700  | 3         | 23         |
| 12626800  | 15        | 33         |           | 21        | 18         |           | 53        | 16         | 12732705  | 17        | 48         | 12760400  | 14        | 17         | 13074060  | 3         | 25         |
| 12626800  | 15        | 33         | 12703000  | 18        | 38         |           | 17        | 37         | 12732800  | 17        | 47         | 12763300  | 14        | 19         | 13084100  | 7         | 10         |
| 12630201  | 16        | 10         | 12703805  | 17        | 46         | 12717600  | 18        | 36         | 12734900  | 17        | 57         | 12768620  | 50        | 15         | 13093061  | 7         | 27         |
| 12630500  | 16        | 11         | 12704200  | 17        | 49         | 12717801  | 17        | 36         | 12735300  | 17        | 50         | 12768700  | 4         | 49         | 13100221  | 5         | 10         |
| 12633000  | 16        | 14         | 12704601  | 18        | 18         | 12718301  | 17        | 39         | 12735400  | 17        | 53         | 12781521  | 11        | 73         | 13105460  |           |            |
| 12633200  | 16        | 50         | 12705500  | 18        | 19         | 12718501  | 17        | 41         | 12735500  | 17        | 54         | 12781621  | 12        | 63         | 13105461  | 5         | 19         |
| 12633300  | 16        | 17         | 12705600  | 18        | 17         | 12719305  | 17        | 43         | 12735750  | 17        | 51         | 12782200  | 11        | 20         |           | 6         | 10         |
| 12634000  | 16        | 55         | 12706800  | 18        | 27         | 12730510  | 51        | 10         | 12739920  | 50        | 24         | 12807000  | 6         | 15         | 13112602  | 54        | 10         |
| 12634100  | 16        | 18         |           | 17        | 28         | 12730511  | 51        | 11         | 12740320  | 50        | 14         | 12807100  | 6         | 14         |           | 6         | 10         |
| 12635201  | 16        | 19         | 12715400  | 53        | A          | 12730512  | 51        | 12         | 12740321  | 50        | 11         | 12807200  | 6         | 16         | 13112603  | 54        | 10         |
| 12636201  | 16        | 23         | 12715410  | 53        | 10         | 12730513  | 51        | 13         | 12740407  | 50        | 20         | 12900300  | 22        | 14         | 13123460  | 5         | 27         |
| 12636600  | 16        | 26         | 12715411  | 53        | 11         | 12730514  | 51        | 14         | 12740408  | 50        | 21         | 12900800  | 22        | 13         | 13146201  | 4         | 27         |
| 12637400  | 16        | 20         | 12715412  | 53        | 12         | 12730515  | 51        | 15         | 12740409  | 50        | 22         | 12901000  | 22        | 11         | 13147700  | 4         | 30         |
| 12638100  | 15        | 23         | 12715413  | 53        | 13         | 12730516  | 51        | 16         | 12740420  | 50        | 13         | 12901101  | 22        | 19         | 13200860  | 8         | 12         |
| 12638200  | 16        | 22         | 12715414  | 53        | 14         | 12730517  | 51        | 17         | 12740422  | 50        | 19         | 12909090  | 22        | 20         | 13211500  | 9         | 75         |
| 12639601  | 16        | 32         | 12715415  |           |            | 12730518  | 51        | 18         |           | 18        | 10         | 12912700  | 22        | 22         | 13211600  | 9         | 76         |
| 12675405  | 16        | 39         | 12715416  | 53        | 15         | 12730519  | 51        | 19         | 12740521  | 50        | 10         | 12914500  | 22        | 23         | 13250760  | 9         | 14         |
| 12676001  | 16        | 38         | 12715417  |           |            | 12730520  | 51        | 20         |           | 50        | 23         | 12919200  | 5         | 11/1       | 13251165  | 9         | 13         |
| 12676505  | 16        | 42         | 12715420  | 53        | 18         | 12730521  | 51        | 21         | 12740920  | 50        | 25         | 12937200  | 54        | 14         | 13257860  | 9         | 21         |
| 12677005  | 16        | 40         | 12715421  | 53        | 19         | 12730522  | 51        | 22         | 12741720  | 50        | 27         | 12937300  | 54        | 15         | 13257960  | 9         | 20         |
| 12700110  | 52        | 10         | 12715423  | 53        | 21         | 12730523  | 51        | 23         | 12741723  | 50        | 28         | 12999500  | 22        | B          | 13258260  | 9         | 24         |
| 12700111  | 52        | 11         | 12715424  | 53        | 22         | 12730524  | 51        | 24         | 12741724  | 50        | 29         | 13000701  | 2         | 10         | 13400125  | 11        | 10         |
| 12700113  | 52        | 13         | 12715425  | 53        | 23         | 12730525  | 51        | 25         | 12741725  | 50        | 30         | 13020200  | 1         | 37         | 13418260  | 11        | 21         |
| 12700114  | 52        | 14         | 12715426  | 53        | 24         | 12730526  | 51        | 26         | 12741726  | 50        | 31         | 13020800  | 1         | 38         | 13434320  | 12        | 50         |
| 12700115  | 52        | 15         | 12715427  | 53        | 25         | 12730527  | 51        | 27         | 12741727  | 50        | 32         | 13021900  | 1         | 45         | 12436561  | 12        | 62         |
| 12700116  | 52        | 16         | 12715428  | 53        | 26         | 12730528  | 51        | 28         | 12741728  | 50        | 33         | 13022001  | 1         | 36         | 13436840  | 21        | 19         |
| 12700117  | 52        | 17         | 12715429  | 53        | 27         | 12730529  | 51        | 29         | 12742500  | 50        | 18         | 13022160  |           |            | 13437020  | 11        | 70         |
| 12700118  | 52        | 18         | 12715430  | 53        | 29         | 12730530  | 51        | 30         | 12743022  | 50        | 16         | 13022260  | 1         | 13         | 13476025  |           |            |
| 12700119  | 52        | 19         | 12715431  | 53        | 30         | 12730531  | 51        | 31         | 12743023  | 50        | 17         | 13036000  | 1         | 23         | 13476026  | 11        | 55         |
| 12700120  | 52        | 20         | 12715432  | 53        | 31         | 12730532  | 51        | 32         | 12746001  | 18        | 11         | 13036100  | 1         | 24         | 13476027  |           |            |
| 12700121  | 52        | 21         | 12715433  | 53        | 32         | 12730533  | 51        | 33         | 12747107  | 18        | 40         | 13036800  | 1         | 14         | 13480041  | 19        | 10         |
| 12700123  | 52        | 23         | 12715434  | 53        | 33         | 12730534  | 51        | 34         | 12747200  | 18        | 41         | 13036900  | 1         | 15         | 13482501  | 19        | 11         |
| 12700124  | 52        | 24         | 12715435  | 53        | 34         | 12730535  |           |            | 12747420  | 18        | 43         | 13037000  | 1         | 21         | 13485001  | 19        | 13         |
| 12700125  | 52        | 25         | 12715436  | 53        | 35         | 12730536  | 51        | 35         | 12747501  | 18        | 44         | 13037200  | 1         | 22         | 13485701  | 19        | 12         |



## NUMERICAL INDEX

| Order No. | Plate No. | Figure No. | Order No. | Plate No. | Figure No. | Order No. | Plate No. | Figure No. | Order No. | Plate No. | Figure No. | Order No. | Plate No. | Figure No. | Order No. | Plate No. | Figure No. |
|-----------|-----------|------------|-----------|-----------|------------|-----------|-----------|------------|-----------|-----------|------------|-----------|-----------|------------|-----------|-----------|------------|
| 13486501  | 19        | 14         | 13933900  | 54        | 26         | 14212010  | 9         | 42         | 45212400  | 20        | 23         | 90405369  | 2         | 21         | 92251022  | 9         | 57         |
| 13486800  | 19        | 15         | 13934400  | 54        | 27         | 14212210  | 9         | 45         | 45336802  | 8         | 18/1       | 90407085  | 10        | 55         | 92251030  | 9         | 44         |
| 13488500  | }         | 19         | 13934600  | 54        | 48         | 14213000  | 9         | 43         | 45409701  | 13        | 34         | 90706076  | 14        | 37         | 92254340  | 10        | 60         |
| 13488600  |           |            | 13934700  | 54        | 47         | 14213610  | 9         | 49         | 45717450  | 17        | 40         | 90706090  | 1         | 40         | 92256218  | 8         | 17         |
| 13501500  |           |            | 13934800  | 54        | 31         | 14214210  | 9         | 65         | 45717600  | 17        | 38         | 90706140  | 8         | 28         | 92259017  | 9         | 56         |
| 13502200  | 14        | 11         | 13934900  | 54        | 46         | 14214510  | 9         | 50         | 45918570  | 11        | 19         | 90706163  | 17        | 56         | 92295702  | 9         | 79         |
| 13550240  | 11        | 53         | 13935000  | 54        | 16         | 14214810  | 9         | 51         | 55103425  | 5         | 16         | 90706170  | 7         | 20         | 92296750  | 9         | 46         |
| 13601045  | 13        | 13         | 13935500  | 54        | 34         | 14215110  | 9         | 55         | 55127025  | 5         | 32         | 90706203  | 9         | 62         | 92602205  | 17        | 65         |
| 13605445  | 13        | 11         | 13935700  | 54        | 32         | 14215210  | 9         | 61         | 55234700  | 8         | 41         | 90706222  | 12        | 14         |           | 20        | 18         |
| 13625421  | 15        | 27/1       | 13935900  | 54        | 35         | 14215400  | 9         | 58         | 55235000  | }         | 9          | 90706235  | 9         | 72         | 6         | 31        |            |
| 13705225  | }         | 18         | 13936000  | 54        | 36         | 14217300  | 9         | 63         | 55235001  |           |            | 90706250  | 3         | 24         | 11        | 47        |            |
| 13705226  |           |            | 13936100  | 54        | 37         | 14217410  | 9         | 60         | 55235002  |           |            | 90706252  | 17        | 52         | 15        | 34        |            |
| 13705227  |           |            | 13936200  | 54        | 40         | 14217900  | 8         | 16         | 55235003  | }         | 10         | 44        | 16        | 45         |           |           |            |
| 13705425  | }         | 18         | 13936300  | 54        | 41         | 14218010  | 9         | 52         | 55251000  |           | 9          | 11        | 12        | 41         | 17        | 59        |            |
| 13705426  |           |            | 13936600  | 54        | 38         | 14218401  | 9         | 71         | 55434825  | 12        | 56         | 90706746  | 14        | 16         | 17        | 69        |            |
| 13705427  |           |            | 13936700  | 54        | 39         | 14218802  | 8         | 14         | 55442300  | 11        | 42         | 90714051  | 12        | 49         | 18        | 20        |            |
| 13706600  | 18        | 26         | 13936800  | 54        | 42         | 14219310  | 9         | 64         | 55443385  | 11        | 43         | }         | 8         | 39         | 19        | 19        |            |
| 13707300  | 18        | 25         | 13937000  | 54        | 11         | 14219401  | 9         | 78         | 55445800  | 19        | 21         |           | 90714101  | 10         | 36        | 20        | 28         |
| 13741640  | 18        | 47         | 13937100  | 54        | 17         | 14230501  | 9         | 37         | 55603000  | 13        | 26         | 90714123  | 5         | 18         | 21        | 22        |            |
| 13741721  | 50        | 26         | 13937400  | 54        | 22         | 14230710  | 9         | 66         | 55603400  | 13        | 25         | }         | 2         | 37         | 2         | 15        |            |
| 13744920  | 14        | 24         | 13937500  | 54        | 18         | 14231010  | 9         | 54         | 55603500  | 13        | 24         |           | 90714195  | 8          | 36        | 5         | 17         |
| 13748920  | 18        | 29         | 13937600  | 54        | 23         | 14231201  | 9         | 38         | 55717000  | 17        | 42         | }         | 10        | 34         | 6         | 19        |            |
| 13761001  | 14        | 25         | 13937700  | 54        | 19         | 14231510  | 9         | 48         | 55740328  | 50        | 12         |           | 90716082  | 1          | 49        | 11        | 34         |
| 13761100  | 14        | 26         | 13937800  | 54        | 24         | 14232400  | 9         | 36         | 55741100  | 18        | 28         | 90718375  | 5         | 24         | 12        | 60        |            |
| 13761200  | 14        | 27         | 13937900  | 54        | 21         | 14232510  | 9         | 53         | 55749600  | 21        | 29         | 91111511  | 1         | 28         | 17        | 35        |            |
| 13761300  | 14        | 28         | 13938600  | 54        | 43         | 14234300  | 9         | 34         | 55900400  | 22        | 15         | 91112122  | 3         | 13         | 18        | 14        |            |
| 13761400  | 14        | 29         | 13938700  | 54        | 44         | 14234400  | 9         | 32         | 55901900  | 22        | 10         | 91180707  | 20        | 31         | 21        | 36        |            |
| 13761521  | 14        | 15         | 13938800  | 54        | 33         | 14234600  | 9         | 32/1       | 55902400  | 22        | 16         | 91180710  | 13        | 28         | 5         | 29        |            |
| 13764900  | 14        | 33         | 13938900  | 54        | 45         | 14235500  | 9         | 33         | 55905000  | 22        | 18         | 91180949  | 11        | 16         | 11        | 68        |            |
| 13766320  | 14        | 36         | 13991060  | 2         | 43         | 14236201  | 9         | 25         | 55919425  | }         | 5          | 91181015  | 11        | 66         | 92602210  | 15        | 26         |
| 13766420  | 14        | 35         | 13991460  | 2         | 44         | 14236600  | 9         | 27         | 55919525  |           |            | 91181309  | 21        | 13         | 16        | 28        |            |
| 13767200  | 14        | 21         | 13999060  | 22        | A          | 14237800  | 8         | 26         | 55938585  | 54        | 20         | }         | 1         | 54         | 92602406  | 13        | 16         |
| 13767300  | 14        | 30         | 14018400  | 1         | 41         | 14238200  | 9         | 31         | 90118152  | 1         | 32         |           | 91551081  | 11         | 71        | 20        | 25         |
| 13767701  | 14        | 32         | 14061501  | 3         | 12         | }         | 11        | 74         | 90118247  | 9         | 41         | 91551053  | 17        | 70         | 1         | 30        |            |
| 13767800  | 14        | 34         | 14062201  | 3         | 15         |           | 14517000  | 12         | 64        | 90271014  | 16         | 46        | 91551102  | 12         | 29        | 92602508  | 7          |
| 13768200  | 21        | 31         | 14081810  | 9         | 67         | 14762510  | 14        | 18         | 90271020  | 10        | 29         | 91701232  | 4         | 31         | 8         | 27        |            |
| 13917227  | }         | 11         | 14085700  | 7         | 15         | 14766110  | 14        | 20         | 90272058  | 10        | 30         | 91702355  | 3         | 10/1       | 92602512  | 12        | 27         |
| 13917525  |           |            | 14086000  | 7         | 17         | 24704500  | 18        | 16         | 90351037  | 3         | 22         | 92201070  | 10        | 58         | 92605008  | 10        | 21         |
| 13917825  |           |            | 14086100  | 7         | 19         | }         | 17        | 58         | 90353016  | 1         | 16         | 92201417  | 8         | 22         | 16        | 47        |            |
| 13917827  | 14090201  | 7          | 21        | 25707100  | 18         |           | 39        | 90353046   | 12        | 43        | 92204228   | 10        | 31        | 92608205   | 8         | 31        |            |
| 13918523  | 11        | 17         | 14090400  | 7         | 22         | 25743701  | 18        | 12         | 90403040  | 10        | 17         | 92218424  | 8         | 13         | 11        | 77        |            |
| 13932800  | 54        | 12         | 14115400  | 1         | 53         | 25905500  | 22        | 17         | 90403249  | 15        | 39         | 92234117  | 8         | 19         | 92630105  | 12        | 67         |
| 13932900  | 54        | 13         | 14200210  | 8         | 10         | 26706700  | 18        | 37         | 90403249  | 16        | 51         | }         | 15        | 41         | 92630106  | 21        | 27         |
| 13933000  | 54        | 29         | 14201110  | 8         | 21         | 26716504  | 17        | 33         | 90403547  | 8         | 23         |           | 92246922  | 16         | 53        | 92630108  | 5          |
| 13933100  | 54        | 30         | 14210511  | 9         | 39         | 26735001  | 17        | 55         | 90403550  | 12        | 35         | 92249216  | 10        | 18         | 92630110  | 11        | 28         |
| 13933400  | 54        | 28         | 14210701  | 9         | 70         | 43083810  | 9         | 59         | 90403850  | 10        | 62         | }         | 10        | 40         | 92700050  | 18        | 32         |
| 13933700  | 54        | 25         | 14211110  | 9         | 73         | 43934000  | 54        | 49         | 90403851  | 2         | 25         |           | 92249225  | 12         | 21        | 92700071  | 6          |

## NUMERICAL INDEX

| Order No. | Plate No. | Figure No. | Order No. | Plate No. | Figure No. | Order No. | Plate No. | Figure No. | Order No. | Plate No. | Figure No. | Order No. | Plate No. | Figure No. | Order No. | Plate No. | Figure No. |    |
|-----------|-----------|------------|-----------|-----------|------------|-----------|-----------|------------|-----------|-----------|------------|-----------|-----------|------------|-----------|-----------|------------|----|
| 92700073  | 9         | 18         | 95021105  | 17        | 64         | 95100709  | 1         | 46         | 95985136  | 4         | 50         | 98054418  | 11        | 23         | 98054420  | 11        | 61         |    |
| 92700128  | 11        | 11         |           | 3         | 27         | 95100727  | 15        | 21         | 95990037  | 4         | 47         |           | 11        | 31         |           |           |            |    |
| 92700171  | 15        | 15         |           | 4         | 40/1       | 95100901  | 12        | 37/1       | 96508045  | 10        | 19         |           | 13        | 31         |           |           |            |    |
|           | 16        | 15         |           | 6         | 29         | 95101231  | 2         | 14         | 96508066  | 2         | 11         |           | 17        | 12         |           |           |            |    |
| 92701086  | 4         | 33         | 9         | 23        | 5          |           | 14        | 96508075   | 2         | 12        | 2          | 17        |           |            |           |           |            |    |
| 92701139  | 12        | 11         | 13        | 15        | 6          |           | 18        | 98020435   | 4         | 45        | 3          | 35        |           |            |           |           |            |    |
| 92701148  | 16        | 25         | 16        | 44        | 11         |           | 24        | 98020535   | 12        | 46        | 9          | 12        |           |            |           |           |            |    |
| 92701187  | 3         | 28         | 95021106  | 17        | 23         | 95101231  | 16        | 48         | 98022328  | 2         | 26         | 98054425  | 10        | 50         | 98054430  | 16        | 41         |    |
| 92701252  | 12        | 23         |           | 19        | 18         | 17        | 27        | 98024310   | 4         | 40        | 17         |           | 26        |            |           |           |            |    |
| 92720200  | 10        | 14         |           | 20        | 24         | 12        | 26        |            | 14        | 31        | 4          |           | 20        |            |           |           |            |    |
| 92731090  | 3         | 14         |           | 11        | 62         | 1         | 35        | 18         | 35        | 1         | 34         |           | 5         | 36         |           |           |            |    |
| 92750062  | 14        | 12         | 95021108  | 12        | 59         | 95120065  | 2         | 42/1       | 98024312  | 1         | 34         | 98054522  | 5         | 31         | 98062535  | 5         | 31         |    |
| 92751103  | 1         | 42         |           | 13        | 32         | 3         | 38/1      | 98024422   | 12        | 58        | 11         |           | 48        |            |           |           |            |    |
| 92781061  | 14        | 14         |           | 17        | 13         | 4         | 13        | 98052325   | 9         | 22        | 19         |           | 22        |            |           |           |            |    |
| 92850752  | 11        | 18         |           | 18        | 15         | 3         | 34        | 98052325   | 11        | 45        | 10         |           | 11        |            |           |           |            |    |
|           | 12        | 51         | 21        | 35        | 10         | 20        | 98052330  | 16         | 43        | 98106015  | 4          | 12        |           |            |           |           |            |    |
| 93110060  | 11        | 75         | 95021110  | 5         | 30         | 95121185  | 4         | 32         | 98052340  | 2         | 34/1       | 98106017  | 11        | 58         | 98106021  | 2         | 31         |    |
|           | 12        | 65         |           | 11        | 49         | 4         | 44        | 98052345   | 2         | 27        | 3          |           | 38        |            |           |           |            |    |
| 93180070  | 11        | 57         | 95028022  | 9         | 69         | 95129110  | 9         | 16         | 98052355  | 2         | 42         | 98106022  | 15        | 30         | 98108015  | 6         | 17         |    |
| 93180105  | 12        | 61         | 95100055  | 18        | 31         | 95129180  | 15        | 37         | 98052455  | 4         | 35         |           | 16        | 33         |           | 16        | 49         |    |
| 93180220  | 8         | 11         | 95100056  | 8         | 32         | 95187008  | 1         | 44         | 98052470  | 2         | 33         | 98108042  | 4         | 34         | 98110015  | 11        | 25         |    |
| 93301175  | 17        | /A         | 95100121  | 12        | 55         | 95500222  | 10        | 51         | 98052480  | 2         | 13         |           | 17        | 31         |           | 98110020  | 15         | 30 |
| 93301313  | 11        | 72         |           | 17        | 68         |           | 7         | 26         | 98052499  | 5         | 13         | 16        | 29        |            |           |           |            |    |
| 93400363  | 21        | 28         |           | 21        | 26         |           | 9         | 15         | 98052540  | 11        | 67         | 16        | 33        | 16         | 49        | 98110015  | 11         | 25 |
| 93400548  | 21        | 30         |           | 2         | 28         |           | 15        | 36         | 98052550  | 16        | 30         | 12        | 25        | 16         | 29        |           | 16         | 49 |
| 93450129  | 21        | 15         | 95100130  | 11        | 46         | 95510313  | 16        | 36         | 98053675  | 12        | 25         | 98110015  | 11        | 25         | 98110020  | 16        | 29         |    |
| 93450223  | 18        | 34         |           | 12        | 57         | 17        | 19        | 98053690   | 21        | 12        | 17         |           | 62        | 16         |           | 29        | 16         | 29 |
| 93601022  | 9         | 68         |           | 14        | 13         | 13        | 29        | 98054214   | 17        | 62        | 6          | 28        | 20        | 16         | 20        | 20        |            |    |
| 93601026  | 12        | 19         |           | 17        | 60         | 17        | 30        | 98054312   | 6         | 28        | 11         | 59        | 20        | 16         | 20        | 20        |            |    |
| 93760072  | 13        | 18         | 18        | 21        | 3          | 39        | 12        |            | 54        | 98260525  | 20         | 20        | 10        | 64         | 10        | 64        |            |    |
| 94321051  | 9         | 47         | 7         | 29        | 2          | 24/1      | 17        |            | 22        | 98280614  | 12         | 48        | 12        | 48         | 12        | 48        |            |    |
| 94321067  | 8         | 40         | 16        | 37        | 8          | 20        | 17        |            | 22        | 98305009  | 18         | 30        | 18        | 30         | 18        | 30        |            |    |
| 94321072  | 4         | 25         | 95100137  | 17        | 32         | 95520314  | 9         | 30         | 98305017  | 3         | 26         | 13        | 14        | 13         | 14        |           |            |    |
| 94321105  | 7         | 24         |           | 1         | 50         | 95716280  | 17        | 15         | 98620318  | 6         | 30         | 13        | 23        | 13         | 23        |           |            |    |
| 94322215  | 1         | 33         |           | 11        | 35         | 95716368  | 16        | 35         | 98620325  | 8         | 15         | 8         | 25        | 8          | 25        |           |            |    |
| 95000205  | 11        | 76         |           | 95100311  | 11         | 26        | 95716380  | 17         | 16        | 98620330  | 8          | 33        | 1         | 12         | 1         | 12        |            |    |
|           | 12        | 66         | 15        | 25        | 95730260   | 16        | 34        | 98054316   | 20        | 27        | 13         | 19        | 13        | 19         |           |           |            |    |
|           | 17        | 63         | 12        | 47        | 95740171   | 9         | 19        |            | 20        | 30        | 8          | 24        | 8         | 24         |           |           |            |    |
|           | 20        | 17         | 11        | 41        | 95780265   | 9         | 17        |            | 21        | 25        | 98620420   | 18        | 13        | 18         | 13        |           |            |    |
| 8         | 34        | 11         | 12        | 15        |            | 35        | 98054320  |            | 17        | 67        | 98620435   | 1         | 48        | 1          | 48        |           |            |    |
| 95000206  | 19        | 17         | 95100507  | 4         | 23         | 95780271  | 7         | 25         | 98054320  | 19        | 16         | 10        | 39        | 10         | 39        |           |            |    |
|           | 21        | 21         | 12        | 12        | 95790233   | 6         | 20        | 11         | 22        | 99105080  | 5          | 28        | 5         | 28         |           |           |            |    |
| 95004208  | 21        | 34         | 95100521  | 16        | 24         | 95790237  | 13        | 17         | 98054412  | 17        | 34         | 17        | 17        | 17         | 17        |           |            |    |
|           | 10        | 65         | 95100628  | 15        | 16         | 95980120  | 1         | 47         | 98054416  | 18        | A          | 11        | 29        | 11         | 29        |           |            |    |
| 95004215  | 11        | 37         |           | 16        | 16         | 95980210  | 8         | 37         |           | 11        | 64         | 11        | 29        |            |           |           |            |    |
| 95005210  | 10        | 12         | 95100676  | 3         | 29         | 95980610  | 10        | 35         | 21        | 33        |            |           |           |            |           |           |            |    |



**ILLUSTRATED PLATES**



PLATE 1 MODEL: **V 850 Eldorado**  
**Engine**

GROUP: **Cylinder, cylinder head, Rocker box**  
**Rocker assembly, valves**

| Fig. N. | Order N.    | DESCRIPTION                         | Q.ty | Notes |
|---------|-------------|-------------------------------------|------|-------|
| 10      | 12 02 35 02 | Cover, rocker box                   | 2    |       |
| 11      | 12 02 37 00 | Gasket, rocker box                  | 2    |       |
| 12      | 98 62 03 30 | Screw, rocker box cover             | 16   |       |
| 13      | 13 02 21 60 | Cylinder head, r/h                  | 1    |       |
|         | 13 02 22 60 | Cylinder head, l/h                  | 1    |       |
| 14      | 13 03 68 00 | Guide, inlet valve                  | 2    |       |
| 15      | 13 03 69 00 | Guide, exhaust valve                | 2    |       |
| 16      | 90 35 30 16 | Circlip, valve guide                | 4    |       |
| 17      | 12 03 81 00 | Semicones, valves                   | 8    |       |
| 18      | 13 03 80 00 | Top collar, valves                  | 4    |       |
| 19      | 13 03 74 00 | Spring, outer, valves               | 4    |       |
| 20      | 13 03 76 00 | Spring, inner, valves               | 4    |       |
| 21      | 13 03 70 00 | Bottom collar                       | 4    |       |
| 22      | 13 03 72 00 | Washer, bottom collar               | 4    |       |
| 23      | 13 03 60 00 | Inlet valve                         | 2    |       |
| 24      | 13 03 61 00 | Exhaust valve                       | 2    |       |
| 25      | 12 03 48 00 | Support, rocker arm                 | 2    |       |
| 26      | 12 03 02 00 | Rocker arm, r/h, c/w bushings       | 2    |       |
| 27      | 12 03 04 00 | Rocker arm, l/h, c/w bushings       | 2    |       |
| 28      | 91 11 15 11 | Bushing, rocker arm                 | 4    |       |
| 29      | 12 03 40 01 | Screw, tappet adjusting             | 4    |       |
| 30      | 92 60 25 08 | Nut, tappet screw                   | 4    |       |
| 31      | 12 03 18 00 | Spindle, rocker arm                 | 4    |       |
| 32      | 90 11 81 52 | Washer, rocker arm                  | 4    |       |
| 33      | 94 32 22 15 | Spring, rocker arm                  | 4    |       |
| 34      | 98 02 43 12 | Bolt, rocker spindle                | 4    |       |
| 35      | 95 12 00 65 | Washer, rocker spindle bolt         | 4    |       |
| 36      | 13 02 20 01 | Gasket, cylinder head               | 2    |       |
| 37      | 13 02 02 00 | Cylinder                            | 2    |       |
| 38      | 13 02 08 00 | Gasket, cylinder base               | 2    |       |
| 39      | 12 02 17 00 | Bolt, long, cylinder head           | 2    |       |
| 40      | 90 70 60 90 | Seal, cylinder head bolts           | 12   |       |
| 41      | 14 01 84 00 | Washer, cylinder head bolts         | 10   |       |
| 42      | 92 75 11 03 | Nut, cylinder head bolts            | 10   |       |
| 43      | 12 02 18 00 | Bolt, short, cylinder head          | 4    |       |
| 44      | 95 12 91 80 | Washer, hold down stud nut          | 2    |       |
| 45      | 13 02 19 00 | Nut, short bolt, pushrod side       | 2    |       |
| 46      | 95 10 07 09 | Washer, plug                        | 2    |       |
| 47      | 95 98 01 20 | Plug, cylinder head                 | 2    |       |
| 48      | 98 62 04 35 | Screw, intake pipe to cylinder head | 6    |       |
| 49      | 90 71 60 82 | Washer, insulating, intake screw    | 6    |       |
| 50      | 95 10 02 23 | Washer, air intake tube             | 6    |       |
| 51      | 12 11 50 02 | Air intake tube, r/h                | 1    |       |
|         | 12 11 50 03 | Air intake tube, l/h                | 1    |       |
| 52      | 12 11 55 03 | Gasket, air intake, insulating      | 4    |       |
| 53      | 14 11 54 00 | Plate, inlet pipe                   | 2    |       |
| 54      | 91 55 10 81 | Rubber, washer                      | 2    |       |
| 55      | 13 06 01 60 | Cylinder and piston assembly        | 2    |       |



TAVOLA 1

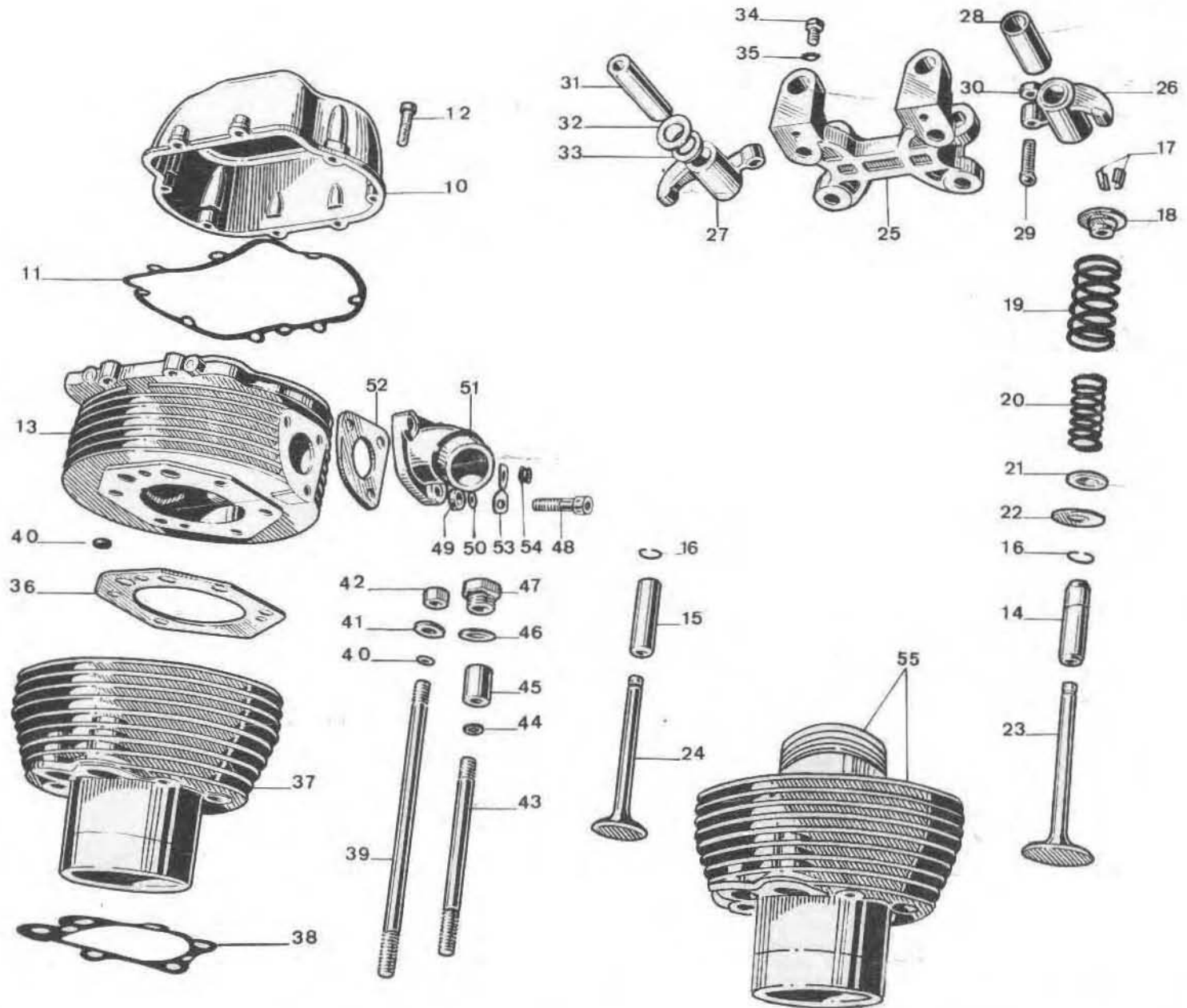




PLATE 2 MODEL: **V 850 Eldorado**  
**Engine**

GROUP: **Crankcase and covers**

| Fig. N. | Order N.    | DESCRIPTION  | Q.ty | Notes          |
|---------|-------------|--|------|----------------|
| 10      | 13 00 07 01 | <b>Crankcase</b>   | 1    |                |
| 10/1    | 12 00 39 00 | Plate, camshaft hole closing                                   | 1    |                |
| 11      | 96 50 80 66 | Bolt, short, gearbox fixing                                    | 4    |                |
| 12      | 96 50 80 75 | Bolt, medium, gearbox fixing                                   | 2    |                |
| 13      | 98 05 24 80 | Bolt, long, gearbox fixing                                     | 1    |                |
| 14      | 95 10 12 31 | Washer, gearbox and starter motor fixing bolts                 | 8    |                |
| 15      | 92 60 22 08 | Nut, gearbox fixing bolts                                      | 7    |                |
| 16      | 12 01 19 00 | Flange, c/w journal bearings, timing side                      | 1    |                |
|         | 12 01 19 01 | Flange, c/w journal bearings, timing side (u/s. 0078")         |      |                |
|         | 12 01 19 02 | Flange, c/w journal bearings, timing side (u/s. 015")          |      |                |
|         | 12 01 19 03 | Flange, c/w journal bearings, timing side (u/s. 023")          |      |                |
|         | 12 01 19 04 | Flange, c/w journal bearings, timing side (u/s. 031")          |      |                |
| 17      | 98 05 44 25 | Bolt, flange to crankcase and timing cover                     | 14   |                |
| 18      | 12 01 21 00 | Lock plate, flange to timing cover nuts                        | 2    |                |
| 19      | 12 01 29 00 | Lock plate, flange securing nut                                | 1    |                |
| 20      | 12 01 14 00 | Flange, c/w main bearing, flywheel side                        | 1    |                |
|         | 12 01 14 01 | Flange, c/w main bearing, flywheel side (u/s. 0078")           |      |                |
|         | 12 01 14 02 | Flange, c/w main bearing flywheel side (u/s. 015")             |      |                |
|         | 12 01 14 03 | Flange, c/w main bearing, flywheel side (u/s. 023")            |      |                |
|         | 12 01 14 04 | Flange, c/w main bearing, flywheel side (u/s. 031")            |      |                |
| 21      | 90 40 53 69 | Seal on crankshaft, flywheel side                              | 1    | Angus 53.68.10 |
| 22      | 12 01 18 00 | Gasket, flange, flywheel side                                  | 1    |                |
| 23      | 12 01 28 00 | Lock plate, flywheel side bolt                                 | 4    |                |
| 24      | 12 00 14 00 | Timing cover   | 1    |                |
| 24/1    | 95 51 20 81 | Locating pin, on timing side crankcase                         | 2    |                |
| 25      | 90 40 38 51 | Seal, timing cover   | 1    | Angus 38.50.7  |
| 26      | 98 02 23 28 | Screw, short, timing cover                                     | 10   |                |
| 27      | 98 05 23 45 | Screw, long timing cover                                       | 12   |                |
| 28      | 95 10 01 30 | Washer, timing cover screws, generator belt cover and oil sump | 37   |                |
| 29      | 12 00 12 00 | Gasket, timing cover   | 1    |                |
| 30      | 12 00 16 00 | Cover, belt  | 1    |                |
| 31      | 98 10 60 21 | Screw, belt cover  | 3    |                |
| 32      | 12 01 89 00 | Locating bush  | 2    |                |
| 33      | 98 05 24 70 | Bolt, starter motor securing                                   | 2    |                |
| 34      | 12 00 35 00 | Oil sump   | 1    |                |
| 34/1    | 98 05 23 40 | Screw, oil sump  | 8    |                |
| 35      | 12 00 36 00 | Gasket, oil sump   | 1    |                |
| 36      | 12 00 37 01 | Plug, oil drain  | 1    |                |
| 37      | 90 71 41 95 | Washer, oil drain and filler plug                              | 2    |                |
| 38      | 12 00 49 01 | Plug, oil filler   | 1    |                |
| 39      | 12 01 22 00 | Pin, main bearing to timing side flange                        | 1    |                |
| 40      | 12 01 17 00 | Pin, main bearing to flywheel side flange                      | 1    |                |
| 41      | 12 01 96 00 | Guard plate, oil sump  | 3    |                |
| 42      | 98 05 23 55 | Screw, guard plate securing                                    | 6    |                |
| 42/1    | 95 12 00 65 | Spring washer, guard plate oil sump securing screw             | 6    |                |
| 43      | 13 99 10 60 | Engine, c/w clutch, without gearshift ass.y                    | 1    |                |
| 44      | 13 99 14 60 | Engine, c/w clutch, with gearshift ass.y                       | 1    |                |

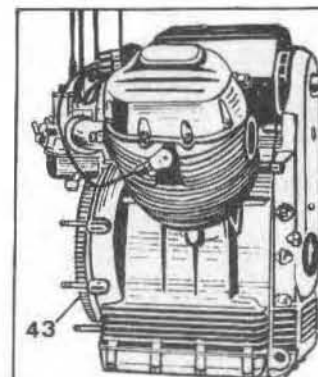
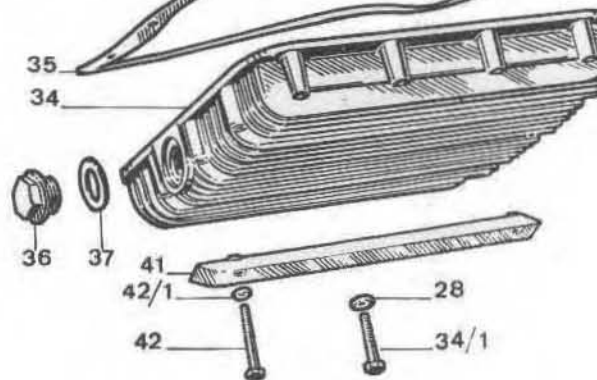
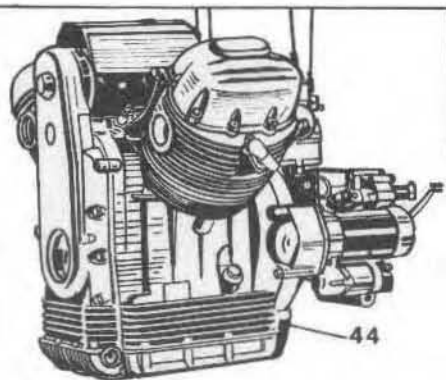
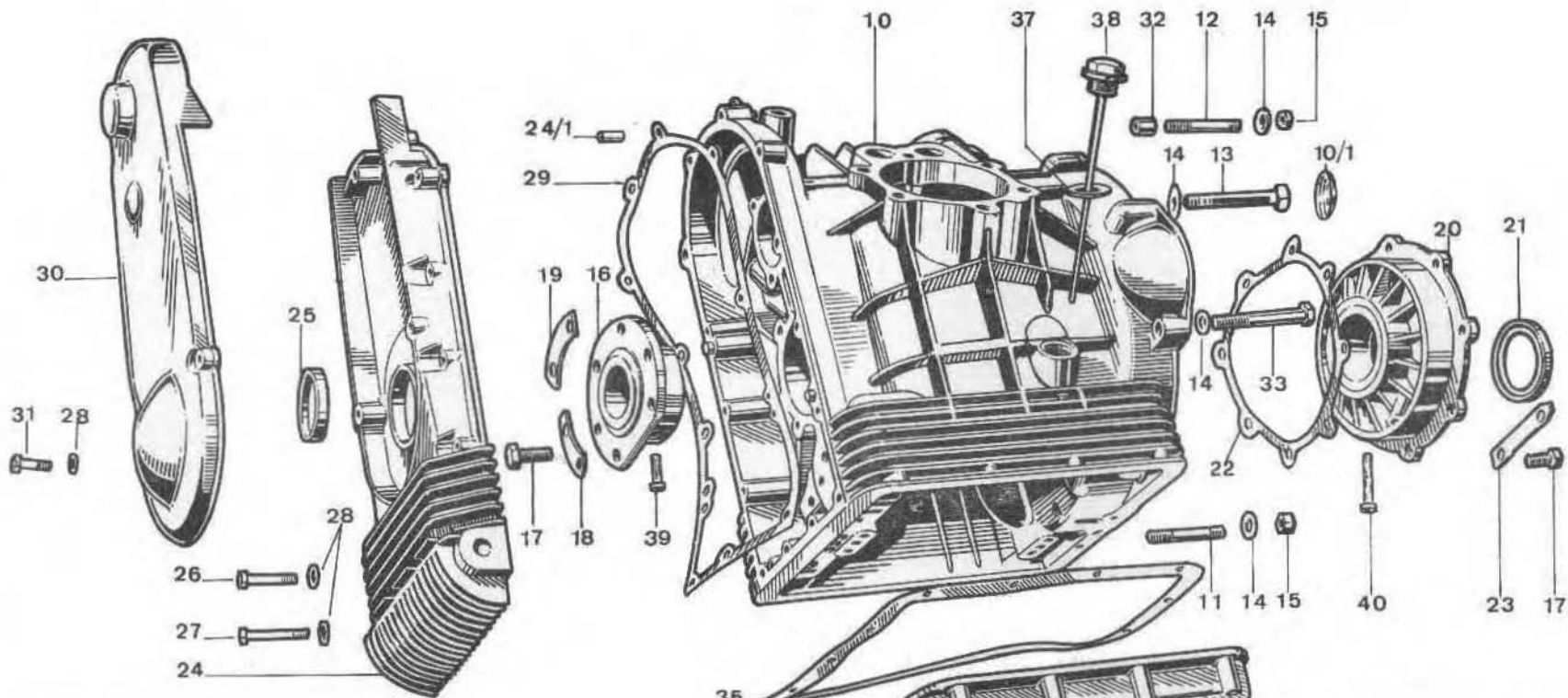




PLATE 3 MODEL: **V 850 Eldorado**  
**Engine**

GROUP: **Connecting rods - Crankshft -**  
**Piston - Timing gears**

| Fig. N. | Order N.    | DESCRIPTION  | Q.ty | Notes |
|---------|-------------|--|------|-------|
| 10      | 13 06 42 60 | <b>Crankshaft</b>  | 1    |       |
| 10/1    | 91 70 23 55 | <b>Key, timing gear and pulley</b>                       | 2    |       |
| 11      | 12 06 54 00 | <b>Plug, crankshaft</b>                                  | 1    |       |
| 12      | 14 06 15 01 | <b>Con-rod c/w bushing, bolt, nuts, and lock-plates</b>  | 2    |       |
| 13      | 91 11 21 22 | <b>Bush, small end</b>                                   | 2    |       |
| 14      | 92 73 10 90 | <b>Nut, big end bolts</b>                                | 4    |       |
| 15      | 14 06 22 01 | <b>Bolt, big end securing</b>                            | 4    |       |
| 16      | 12 06 20 00 | <b>Half bearing, big end standard size</b>               | 4    |       |
|         | 12 06 20 01 | <b>Half bearing, u/s 0,254 mm. (.01")</b>                |      |       |
|         | 12 06 20 02 | <b>Half bearing, u/s 0,508 mm. (.02")</b>                |      |       |
|         | 12 06 20 03 | <b>Half bearing, u/s 0,762 mm. (.03")</b>                |      |       |
|         | 12 06 20 04 | <b>Half bearing, u/s 1,016 mm. (.04")</b>                |      |       |
| 17      | 13 06 04 60 | <b>Piston, bare</b>                                      | 2    |       |
| 17/1    | 13 06 02 60 | <b>Piston, c/w rings, pin and circlip</b>                | 2    |       |
| 18      | 13 06 07 00 | <b>Piston ring, compression, top</b>                     | 2    |       |
| 19      | 13 06 08 00 | <b>Piston ring, compression, center</b>                  | 2    |       |
| 20      | 13 06 09 00 | <b>Oil scraper</b>                                       | 2    |       |
| 20/1    | 13 06 09 00 | <b>Piston ring set</b>                                   | 2    |       |
| 21      | 13 06 12 60 | <b>Piston pin</b>  | 2    |       |
| 22      | 90 35 10 37 | <b>Circlip</b>   | 4    |       |
| 23      | 13 07 17 00 | <b>Gear set, crankshaft, timing and oil pump gears</b>   | 1    |       |
| 24      | 90 70 62 50 | <b>Seal, crankshaft gear</b>                             | 1    |       |
| 25      | 13 07 40 60 | <b>Pulley, generator</b>                                 | 1    |       |
| 26      | 98 05 43 16 | <b>Screw, pulley assembly</b>                            | 3    |       |
| 27      | 95 02 11 06 | <b>Washer, flange to camshaft and pulley ass.y screw</b> | 6    |       |
| 28      | 92 70 11 87 | <b>Nut, pulley securing screws</b>                       | 2    |       |
| 29      | 95 10 06 76 | <b>Washer, pulley securing screw</b>                     | 2    |       |
| 30      | 12 06 70 00 | <b>Flywheel</b>  | 1    |       |
| 31      | 12 06 76 00 | <b>Plate, flywheel bolts</b>                             | 3    |       |
| 32      | 12 06 77 01 | <b>Bolt, flywheel securing</b>                           | 6    |       |
| 33      | 12 06 79 00 | <b>Ring gear, starter motor</b>                          | 1    |       |
| 34      | 95 12 00 85 | <b>Washer, ring gear to flywheel</b>                     | 8    |       |
| 35      | 98 05 44 25 | <b>Bolt, ring gear to flywheel</b>                       | 8    |       |
| 36      | 12 05 33 02 | <b>Camshaft</b>  | 1    |       |
| 37      | 12 07 40 00 | <b>Flange, camshaft</b>                                  | 1    |       |
| 38      | 98 10 60 21 | <b>Screw, flange to camshaft</b>                         | 3    |       |
| 38/1    | 95 12 00 65 | <b>Spring washer, camshaft flange securing screws</b>    | 3    |       |
| 39      | 95 51 20 60 | <b>Pin, camshaft wheel</b>                               | 1    |       |
| 40      | 12 04 58 00 | <b>Tappet, standard size</b>                             | 4    |       |
|         | 12 04 58 01 | <b>Tappet, o/s 0,05 mm. (.0019")</b>                     |      |       |
|         | 12 04 58 02 | <b>Tappet, o/s 0,10 mm. (.0039")</b>                     |      |       |
| 41      | 12 04 50 01 | <b>Push rod, complete</b>                                | 4    |       |

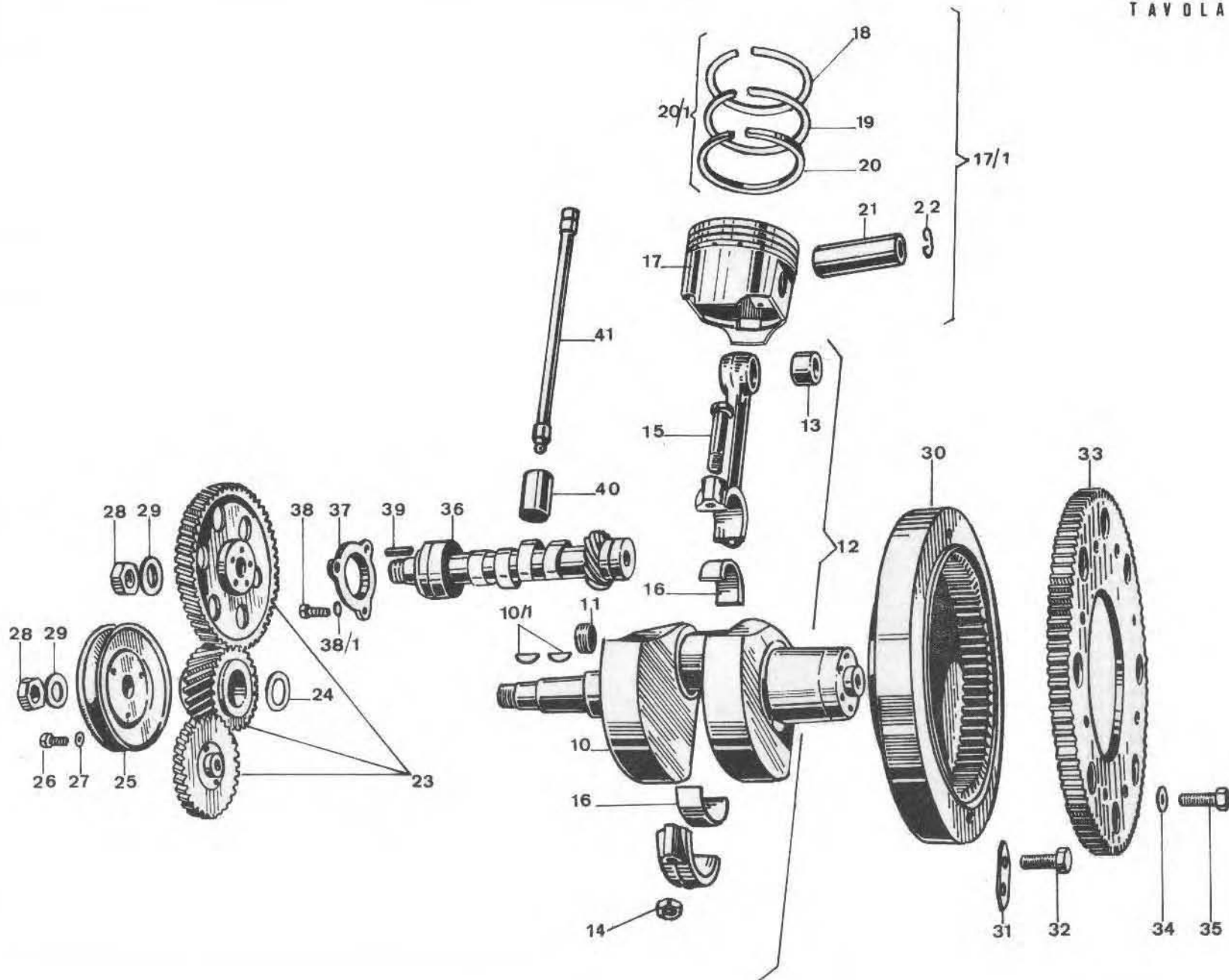




PLATE 4 MODEL: V 850 Eldorado

GROUP: Oil pump - Oil lines - Filter  
Breather unit - Oil pressure solenoid

| Fig. N. | Order N.    | DESCRIPTION                                    | Q.ty | Notes |
|---------|-------------|--|------|-------|
| 10      | 12 00 72 00 | Breather tube                                  | 1    |       |
| 11      | 12 00 76 00 | Washer, breather tube                          | 1    |       |
| 12      | 98 10 60 15 | Screw, breather tube and return pipe band      | 3    |       |
| 13      | 95 12 00 65 | Washer, breather tube and band securing screws | 3    |       |
| 14      | 12 00 62 00 | Tube, oil return from breather box             | 1    |       |
| 15      | 12 00 65 00 | Band, oil return tube                          | 1    |       |
| 16      | 12 00 66 00 | Hollow bolt, return pipe securing              | 1    |       |
| 17      | 12 00 64 00 | Washer, pipe and oil pressure solenoid screws  | 3    |       |
| 18      | 12 15 84 00 | Oil pipe                                       | 1    |       |
| 19      | 12 15 91 00 | Washer, oil pipe                               | 2    |       |
| 20      | 98 05 44 30 | Bolt, oil pipe securing                        | 2    |       |
| 21      | 12 15 92 00 | Lock plate, oil pipe screws                    | 2    |       |
| 22      | 12 15 90 00 | Plug, oil relief valve                         | 1    |       |
| 23      | 95 10 05 07 | Washer, oil relief valve plug                  | 1    |       |
| 24      | 12 15 07 00 | Bottom plate                                   | 1    |       |
| 25      | 94 32 10 72 | Spring   | 1    |       |
| 26      | 12 15 09 00 | Plunger, oil relief valve                      | 1    |       |
| 27      | 13 14 62 01 | Oil pump complete                              | 1    |       |
| 28      | 12 14 78 00 | Spindle, gear driving                          | 1    |       |
| 29      | 12 14 85 00 | Gear, driven                                   | 1    |       |
| 30      | 13 14 77 00 | Gear, driving                                  | 1    |       |
| 31      | 91 70 12 32 | Key, oil pump driving gear                     | 1    |       |
| 32      | 95 12 11 85 | Washer, driving gear nut                       | 1    |       |
| 33      | 92 70 10 86 | Nut, driving gear nut                          | 1    |       |
| 34      | 98 10 80 42 | Screw, short, oil pump securing                | 2    |       |
| 35      | 98 05 24 55 | Screw, long, oil pump securing                 | 2    |       |
| 36      | 12 14 98 00 | Lock plate, pump securing screws               | 2    |       |
| 37      | 12 15 22 00 | Oil cleaner, complete                          | 1    |       |
| 38      | 12 15 30 00 | Gauze, oil filter                              | 1    |       |
| 39      | 12 15 26 00 | Bottom plate                                   | 1    |       |
| 40      | 98 02 43 10 | Bolt, plate securing                           | 2    |       |
| 40/1    | 95 02 11 06 | Washer, bottom plate securing screw            | 2    |       |
| 41      | 12 15 75 01 | Line, flexible, return pipe                    | 1    |       |
| 42      | 12 10 84 00 | Band, recovery pipe to flexible line           | 2    |       |
| 43      | 12 15 32 00 | Washer   | 1    |       |
| 44      | 95 12 11 85 | Washer, spring, filter screw                   | 1    |       |
| 45      | 98 02 04 35 | Screw, filter securing                         | 1    |       |
| 46      | 12 15 42 00 | Washer, lines to head securing screws          | 6    |       |
| 47      | 95 99 00 37 | Screw, oil lines to heads securing screws      | 3    |       |
| 48      | 12 15 36 00 | Oil line to cylinder heads                     | 1    |       |
| 49      | 12 76 87 00 | Oil pressure solenoid                          | 1    |       |
| 50      | 95 98 51 36 | Tube, oil breather                             | 1    |       |
| 51      | 12 15 57 01 | Box, oil breather                              | 1    |       |
| 52      | 12 15 74 01 | Central tube, flexible, oil breather           | 1    |       |
| 53      | 12 15 78 00 | Band, oil breather tube securing               | 2    |       |
| 54      | 12 42 45 00 | Bracket, breather tube                         | 1    |       |

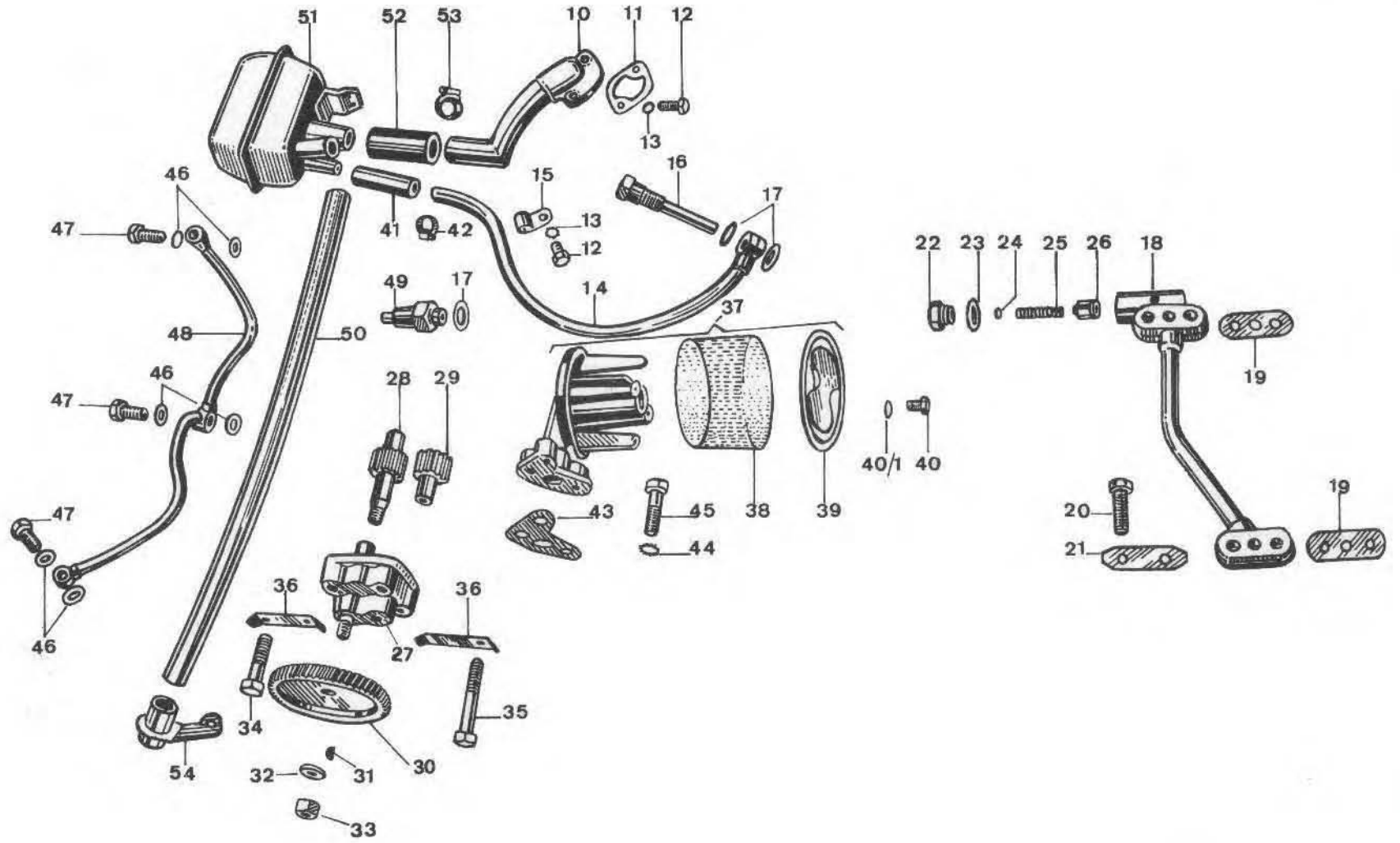




PLATE 5 MODEL: **V 850 Eldorado**  
**Engine**

GROUP: **Fuel tank - Exhaust pipes**  
**Mufflers**

| Fig. N. | Order N.    | DESCRIPTION                       | Q.ty | Notes |
|---------|-------------|-----------------------------------|------|-------|
| 10      | 13 10 02 21 | Fuel tank c/w decals              | 1    |       |
| 11      | 55 91 94 25 | Decal R/H « Moto Guzzi »          | 1    |       |
|         | 55 91 95 25 | Decal L/H « Moto Guzzi »          | 1    |       |
| 11/1    | 12 91 92 00 | Decal « Use Shell Oil »           | 1    |       |
| 12      | 12 10 39 00 | Filler cap, fuel tank             | 2    |       |
| 13      | 98 05 24 99 | Screw, tank securing              | 2    |       |
| 14      | 95 10 12 31 | Washer, tank securing screw       | 2    |       |
| 15      | 12 10 35 00 | Bushing, rubber block             | 4    |       |
| 16      | 55 10 34 25 | Rubber block                      | 4    |       |
| 17      | 92 60 22 08 | Nut, tank securing screw          | 2    |       |
| 18      | 90 71 41 23 | Washer, tap                       | 2    |       |
| 19      | 12 10 54 01 | Tap, fuel tank R/H - SETTI        | 1    |       |
|         | 12 10 54 02 | Tap, fuel tank R/H - ORLANDI      |      |       |
|         | 13 10 54 60 | Tap, fuel tank L/H - ORLANDI      |      |       |
|         | 13 10 54 61 | Tap, fuel tank L/H - SETTI        |      |       |
| 20      | 12 10 65 01 | Fuel line, complete               | 1    |       |
| 21      | 12 10 84 00 | Band, fuel line                   | 4    |       |
| 22      | 12 12 09 00 | Exhaust pipe, R/H                 | 1    |       |
| 23      | 12 12 09 05 | Exhaust pipe, L/H                 | 1    |       |
| 24      | 90 71 83 75 | Gasket, exhaust pipe              | 2    |       |
| 25      | 12 12 02 00 | Lock-nut, exhaust pipe            | 2    |       |
| 26      | 12 12 39 00 | Tube, exhaust pipe connection     | 1    |       |
| 27      | 13 12 34 60 | Band, exhaust pipe to muffler     | 2    |       |
| 28      | 99 10 50 80 | Screw, exhaust pipe to muffler    | 4    |       |
| 29      | 92 60 22 10 | Nut, muffler screws               | 2    |       |
| 30      | 95 02 11 10 | Washer, muffler screws            | 2    |       |
| 31      | 98 05 45 22 | Screw, muffler securing           | 2    |       |
| 32      | 55 12 70 25 | Band, connecting tube             | 2    |       |
| 33      | 12 12 30 20 | Muffler, R/H                      | 1    |       |
| 34      | 12 12 29 20 | Muffler, L/H                      | 1    |       |
| 35      | 12 12 25 01 | Bracket, exhaust pipe             | 2    |       |
| 36      | 98 05 44 30 | Screw, exhaust pipe band securing | 2    |       |
| 37      | 92 63 01 08 | Nut, exhaust pipe band screw      | 2    |       |



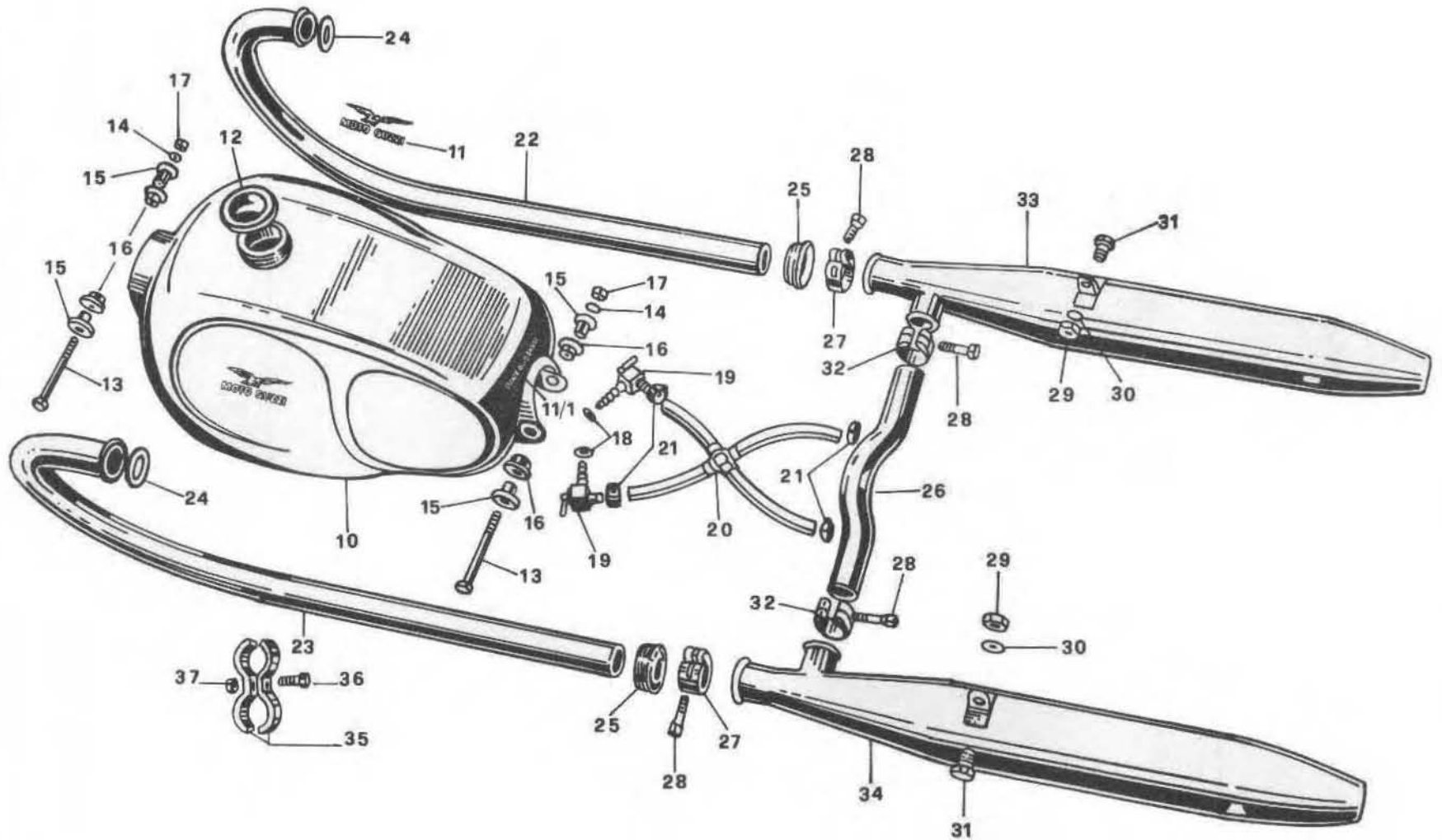




PLATE 6 MODEL: **V 850 Eldorado**  
Engine

GROUP: **Carburetor - Control cables**  
**air cleaner**

| Fig. N. | Order N.    | DESCRIPTION                           | Qty | Notes                 |
|---------|-------------|---------------------------------------|-----|-----------------------|
| 10      | 13 11 26 02 | Carburetor, r/h (Dell'Orto VHB 29 CD) | 1   | 3512 Dell'Orto        |
|         | 13 11 26 03 | Carburetor, l/h (Dell'Orto VHB 29 CS) | 1   | 3511 Dell'Orto        |
| 11      | 12 11 44 01 | Air Intake tube                       | 2   |                       |
| 12      | 12 60 75 00 | Throttle cable, handlebar to adaptor  | 1   |                       |
| 13      | 12 60 79 00 | Adaptor, two-ways                     | 1   |                       |
| 14      | 12 80 71 00 | Cover, adaptor, near end              | 2   |                       |
| 15      | 12 80 70 00 | Plunger, adaptor                      | 2   |                       |
| 16      | 12 80 72 00 | Cover, adaptor, far end               | 2   |                       |
| 17      | 98 10 80 15 | Screw, adaptor securing               | 1   |                       |
| 18      | 95 10 12 31 | Washer, adaptor screw                 | 1   |                       |
| 19      | 92 60 22 08 | Nut, adaptor screw                    | 1   |                       |
| 20      | 95 79 02 33 | Thumb screw, air and throttle cable   | 2   |                       |
| 21      | 92 70 00 71 | Lock-nut, cable adjusting screw       | 2   |                       |
| 22      | 12 60 83 00 | Cable, air, handlebar to adaptor      | 1   |                       |
| 23      | 12 11 70 01 | Cable, air, carburetor to adaptor     | 2   |                       |
| 24      | 12 11 75 01 | Cable throttle, carburetor to adaptor | 2   |                       |
| 25      | 12 11 32 00 | Filter box                            | 1   |                       |
| 26      | 12 11 36 00 | Element, filter                       | 1   | Retex LI-2604 (FISPA) |
| 27      | 12 11 34 01 | Cover, filter box                     | 1   |                       |
| 28      | 98 05 43 12 | Screw, filter box cover               | 3   |                       |
| 29      | 95 02 11 06 | Washer, filter box cover screw        | 5   |                       |
| 30      | 98 05 43 16 | Screw, bottom box securing            | 2   |                       |
| 31      | 92 60 22 06 | Nut, top box securing                 | 1   |                       |
| 32      | 12 11 43 01 | Rubber sleeve                         | 1   |                       |

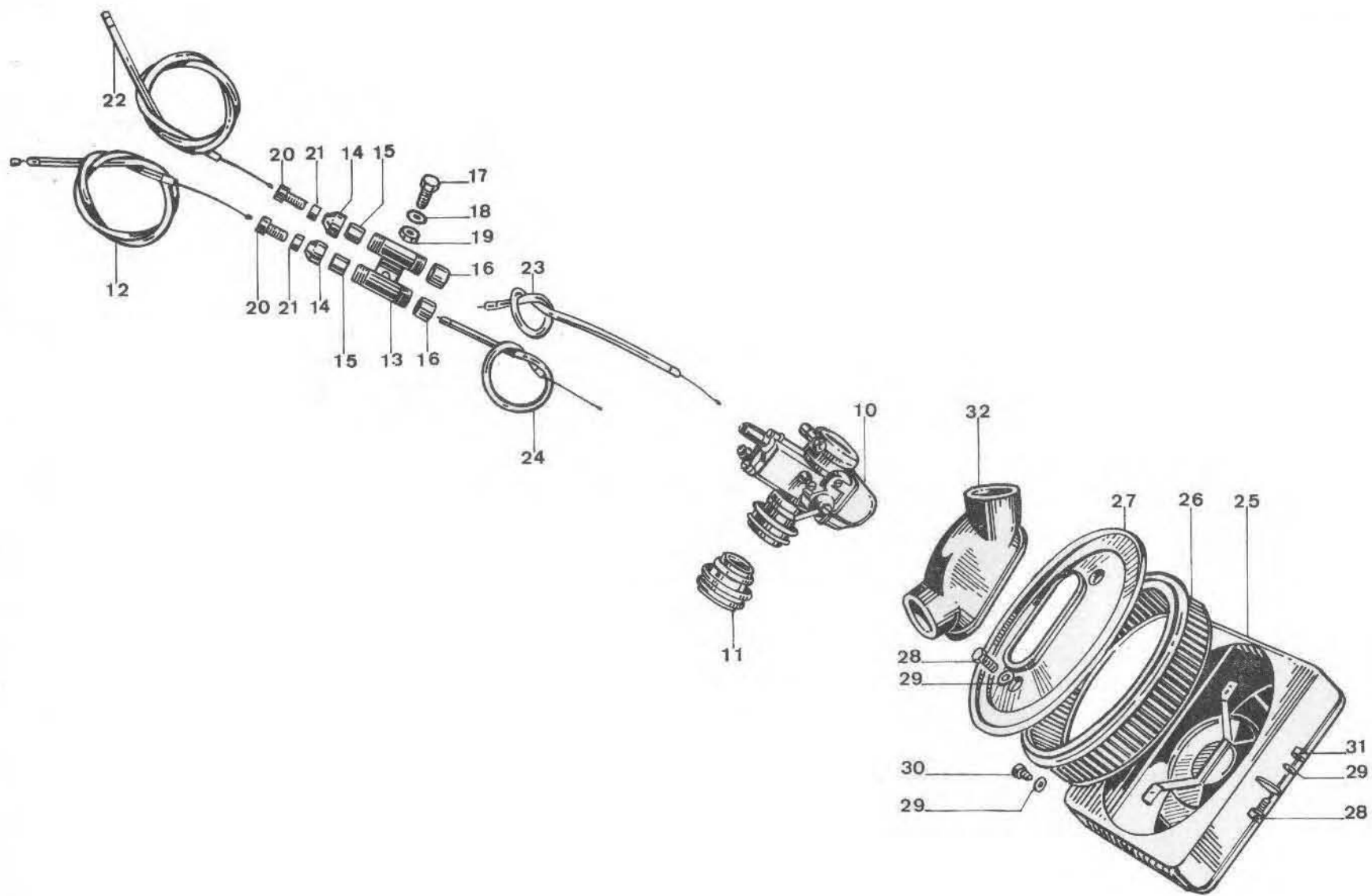




PLATE 7 MODEL: **V 850 Eldorado**  
**Primary drive**

GROUP: **Clutch and controls**

| Fig. N. | Order N.    | DESCRIPTION                        | Q.ty | Notes                                      |
|---------|-------------|------------------------------------|------|--|
| 10      | 13 08 41 00 | Spring, clutch                     | 8    |  |
| 11      | 12 08 29 00 | Pressure plate, clutch             | 1    |  |
| 12      | 12 08 44 00 | Clutch plate, complete             | 2    |  |
| 13      | 12 08 23 00 | Intermediate plate, clutch         | 1    |  |
| 14      | 12 08 28 00 | Washer, clutch plate               | 1    |  |
| 15      | 14 08 57 00 | Rod, clutch pressure plate         | 1    |  |
| 16      | 12 08 59 01 | Tube, rubber                       | 1    |  |
| 17      | 14 08 60 00 | Inner body                         | 1    |  |
| 18      | 12 08 70 01 | Cage, complete                     | 1    | { Nadella AX 1022<br>{ PL or Durkopp 28-42 |
| 19      | 14 08 61 00 | Outer body                         | 1    |  |
| 20      | 90 70 61 70 | Seal                               | 1    |  |
| 21      | 14 09 02 01 | Lever, clutch operating on gearbox | 1    |  |
| 22      | 14 09 04 00 | Screw, adjusting                   | 1    |  |
| 23      | 92 60 25 08 | Nut, lever adjusting screw         | 1    |  |
| 24      | 94 32 11 05 | Spring, clutch lever return        | 1    |  |
| 25      | 95 78 02 71 | Pin, clutch lever to gearbox       | 1    |  |
| 26      | 95 50 02 22 | Split pin, lever pin securing      | 1    |  |
| 27      | 13 09 30 61 | Cable, clutch                      | 1    |  |
| 28      | 12 00 65 00 | Clamp, cable                       | 1    |  |
| 29      | 95 10 01 37 | Washer, cable clamp                | 1    |  |

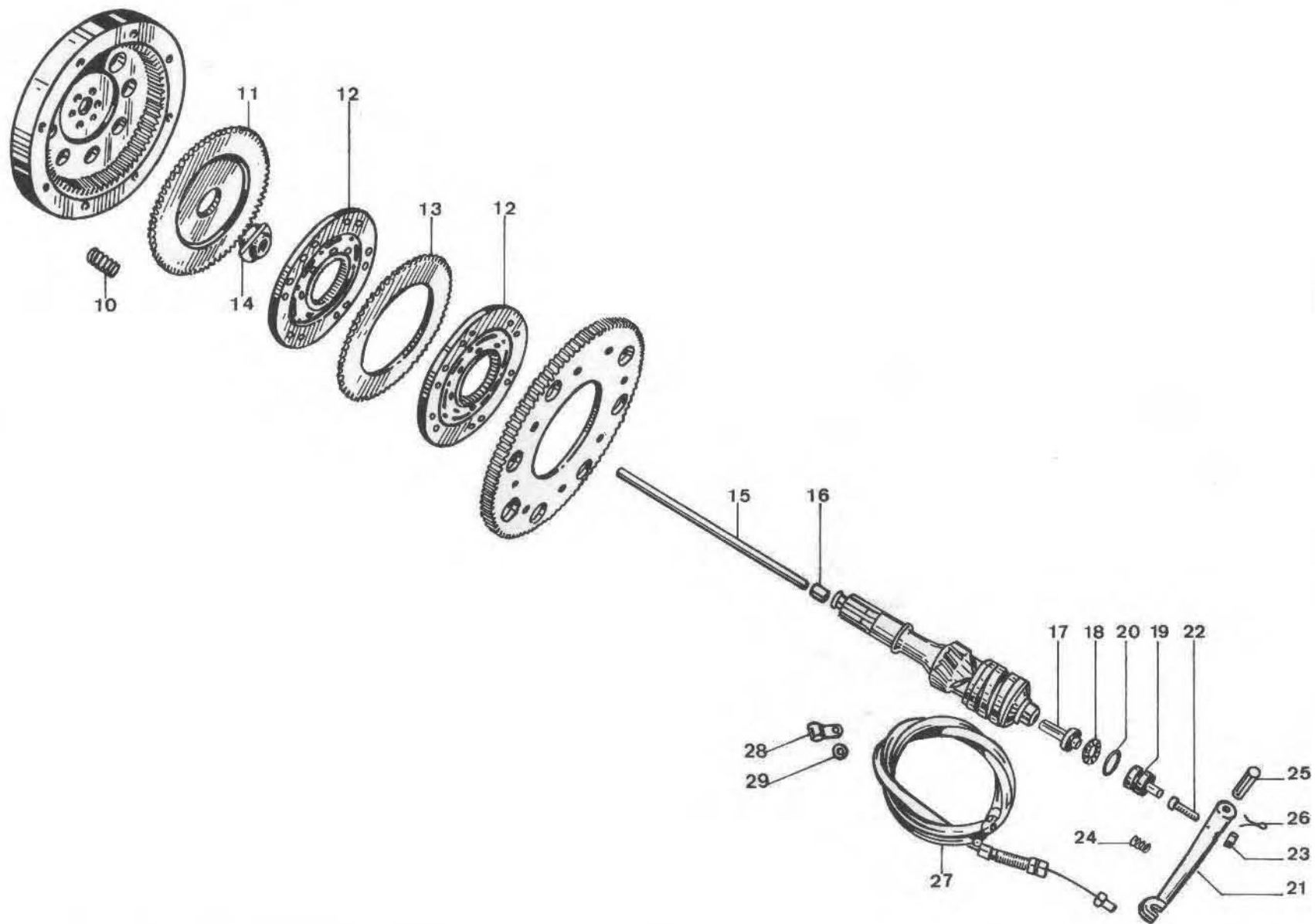




PLATE 8 MODEL: **V 850 Eldorado**  
**Primary drive**

GROUP: **Gearbox and cover**

| Fig. N. | Order N.    | DESCRIPTION   | Q.ty | Notes                   |
|---------|-------------|---|------|-------------------------|
| 10      | 14 20 02 10 | Gearbox   | 1    |                         |
| 11      | 93 18 02 20 | Rubber seal on gearbox  | 1    |                         |
| 12      | 13 20 08 60 | Cover, gearbox  | 1    |                         |
| 13      | 92 21 84 24 | Bearing, in gearbox for clutch shaft and on cover for layshaft  | 2    | 25x52x20,6 (RIV 3205)   |
| 14      | 14 21 38 02 | Semicollar, bearing retainer in box and cover                   | 2    |                         |
| 15      | 98 05 43 16 | Screw, bearing retainer   | 4    |                         |
| 16      | 14 21 79 00 | Lock plate, gearbox and cover screws                            | 4    |                         |
| 17      | 92 25 62 18 | Bearing in gearbox for main shaft and in cover for clutch shaft | 2    | 17x35x15 Dükopp 10-2762 |
| 18      | 12 20 09 00 | Bushing in cover  | 1    |                         |
| 18/1    | 45 33 68 02 | Rubber, hole sealing  | 1    |                         |
| 19      | 92 23 41 17 | Roller bearing in gearbox for layshaft                          | 1    | 17x47x14 (RIV FN 303)   |
| 20      | 95 51 20 81 | Locating pin in gearbox   | 2    |                         |
| 21      | 14 20 11 10 | Gasket, gearbox-cover   | 1    |                         |
| 22      | 92 20 14 17 | Ball bearing in cover for main shaft                            | 1    | 17x17x14 (RIV 6303)     |
| 23      | 90 40 35 47 | Seal in cover for layshaft and in box for clutch shaft          | 2    | Angus 35x17x7           |
| 24      | 98 62 03 35 | Screw, long, cover securing                                     | 1    | M6x35 Allen             |
| 25      | 98 62 03 25 | Screw, short, cover to box                                      | 10   | M6x25 Allen             |
| 26      | 14 23 78 00 | Eccentric screw, selector adjusting                             | 1    |                         |
| 27      | 92 60 25 12 | Nut, selector adjusting screw                                   | 1    |                         |
| 28      | 90 70 61 40 | Seal ring on cover  | 1    | OR 3056                 |
| 29      | 12 20 72 00 | Contact holder, complete  | 1    |                         |
| 30      | 12 20 77 00 | Gasket, contact holder  | 1    |                         |
| 31      | 92 60 82 05 | Nut, contact holder securing                                    | 2    |                         |
| 32      | 95 10 00 56 | Washer, contact holder nut                                      | 2    |                         |
| 33      | 98 05 43 16 | Screw, contact holder securing to box                           | 2    |                         |
| 34      | 95 00 02 06 | Washer, contact holder screw                                    | 2    |                         |
| 35      | 12 00 37 01 | Oil filler plug   | 1    |                         |
| 36      | 90 71 41 95 | Washer, oil filler plug   | 1    |                         |
| 37      | 95 98 02 10 | Plug, level and drain   | 2    |                         |
| 38      | 12 23 53 00 | Plug, oil breather  | 1    |                         |
| 39      | 90 71 41 01 | Gasket, level, drain and breather plug                          | 3    |                         |
| 40      | 94 32 10 67 | Spring, selector drum pawl                                      | 1    |                         |
| 41      | 55 23 47 00 | Pawl, selector drum   | 1    |                         |

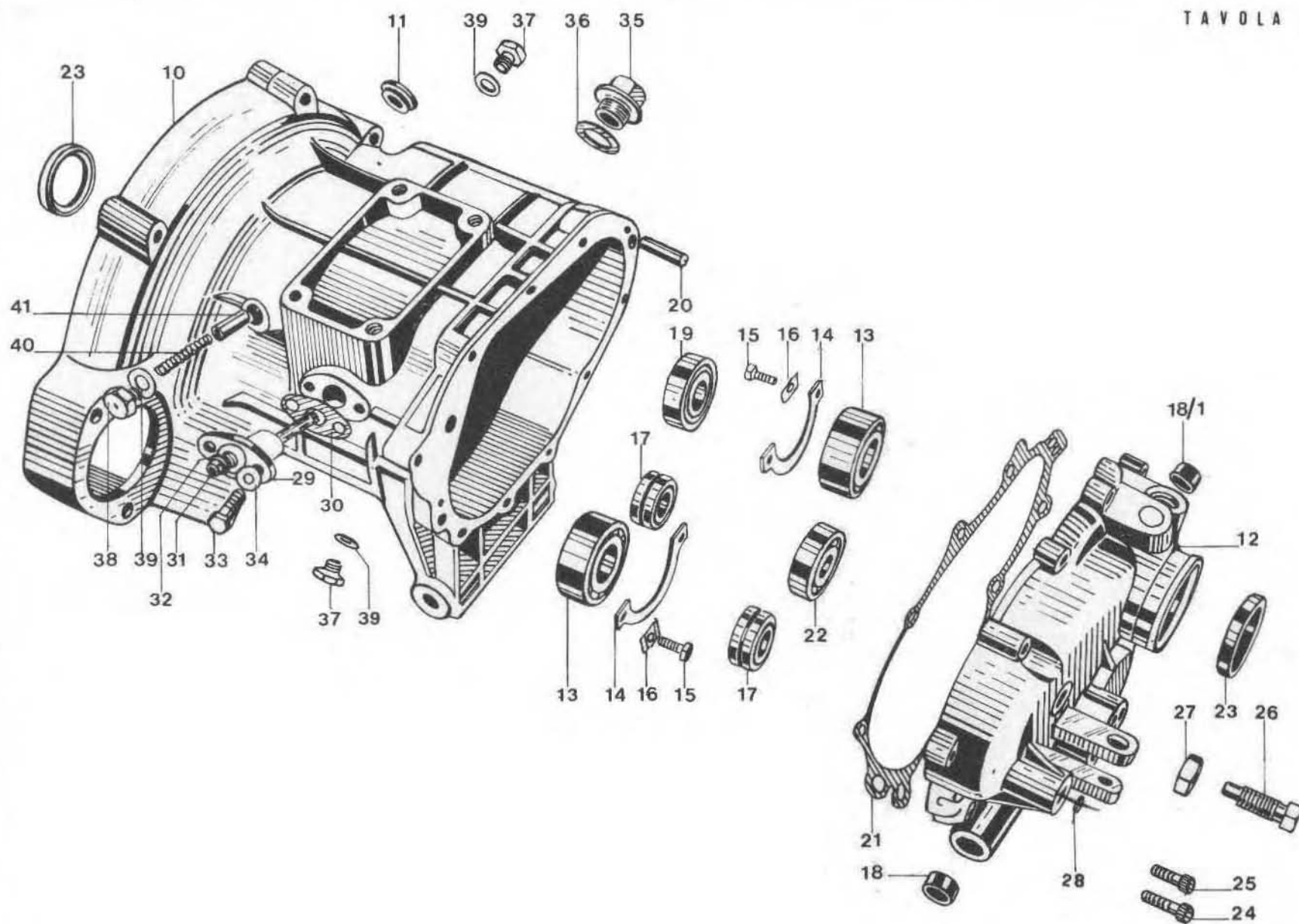




PLATE 9 MODEL: **V 850 Eldorado**  
**Primary drive**

GROUP: **Gearbox - gears and shafts**  
**Controls**

| Fig. N. | Order N.    | DESCRIPTION   | Q.ty  | Notes                           |
|---------|-------------|---|-------|---------------------------------|
| 10      | 12 25 09 06 | Pedal, gearshift                                      | 1     |                                 |
| 11      | 55 25 10 00 | Rubber, gearshift pedal                               | 2     |                                 |
| 12      | 98 05 44 25 | Screw, gearshift pedal securing                       | 1     | 8x25 UNI 5739-85 8G-Zinc plated |
| 13      | 13 25 11 65 | Shaft with gearshift pedal                            | 1     |                                 |
| 13/1    | 12 44 21 05 | Guide bush, gearshift pedal shaft                     | 1     |                                 |
| 13/2    | 12 44 19 05 | Internal bush in guide bush                           | 1     |                                 |
| 14      | 13 25 07 60 | Shim  | 1     |                                 |
| 15      | 95 50 02 22 | Split pin, gearshift operating rod                    | 2     |                                 |
| 16      | 95 12 91 10 | Washer, gearshift rod pins                            | 2     |                                 |
| 17      | 95 78 02 65 | Pin, gearshift operating rod                          | 2     |                                 |
| 18      | 92 70 00 73 | Nut, adjusting, gearshift rod                         | 1     |                                 |
| 19      | 95 74 01 71 | Fork, gearshift rod                                   | 2     |                                 |
| 20      | 13 25 79 60 | Gearshift operating tie rod                           | 1     |                                 |
| 21      | 13 25 78 60 | Rod, gearshift operating c/w forks and nuts           | 1     |                                 |
| 22      | 98 05 23 25 | Screw, lever securing to cover                        | 1     |                                 |
| 23      | 95 02 11 06 | Spring washer, lever securing screw                   | 1     |                                 |
| 24      | 13 25 82 60 | Quadrant  | 1     |                                 |
| 25      | 14 23 62 01 | Preselector, complete                                 | 1     |                                 |
| 26      |             | Body, preselector                                     | 1     | { Not available as spare part   |
| 27      | 14 23 66 00 | Stop pin, preselector                                 | 1     |                                 |
| 28      | 10 23 79 00 | Pawl, preselector                                     | 2     |                                 |
| 29      | 10 23 83 00 | Spring, pawl  | 2     |                                 |
| 30      | 95 52 03 14 | Flexible pin, pawl securing                           | 2     |                                 |
| 31      | 14 23 82 00 | Return spring, preselector                            | 1     |                                 |
| 32      | 14 23 44 00 | Drum, splined, gear selection                         | 1     |                                 |
| 32/1    | 14 23 46 00 | Dowel, gear selection drum                            | 4     |                                 |
| 33      | 14 23 55 00 | Washer, dowels  | 4     |                                 |
| 34      | 14 23 43 00 | Rod, selector drum                                    | 1     |                                 |
| 35      | 55 23 50 00 | Shim, 0.6 mm. (.023")                                 | 1     |                                 |
|         | 55 23 50 01 | Shim, 0.8 mm. (.031")                                 | 1     |                                 |
|         | 55 23 50 02 | Shim, 1. mm. (.039")                                  | 1     |                                 |
|         | 55 23 50 03 | Shim, 1.2 mm. (.047")                                 | 1     |                                 |
| 36      | 14 23 24 00 | Rod, striker forks                                    | 1     |                                 |
| 37      | 14 23 05 01 | Striker fork, 1st, 2nd, 3rd, and 4th gear             | 2     |                                 |
| 38      | 14 23 12 01 | Striker fork, high gear                               | 1     |                                 |
| 39      | 14 21 05 11 | Main shaft  | 1     | Z = 23-21-18-14                 |
| 40      | 12 21 10 00 | Shim, 2 mm. (.078"), main shaft, 4th speed gear side  | 1 + 1 |                                 |
|         | 12 21 10 01 | Shim, 2.1 mm. (.82"), main shaft, 4th speed gear side |       |                                 |
|         | 12 21 10 02 | Shim, 2.2 mm. (.86"), main shaft, 4th speed gear side |       |                                 |
|         | 12 21 10 04 | Shim, 2.4 mm. (.94"), main shaft, 4th speed gear side |       |                                 |
| 41      | 90 11 82 47 | Intermediate washer, main shaft, 4th gear             | 1     |                                 |
| 42      | 14 21 20 10 | High speed gear on main shaft                         | 1     | Z = 24                          |
| 43      | 14 21 30 00 | Bushing, 1st, 2nd, 3rd speed gears on layshaft        | 3     |                                 |



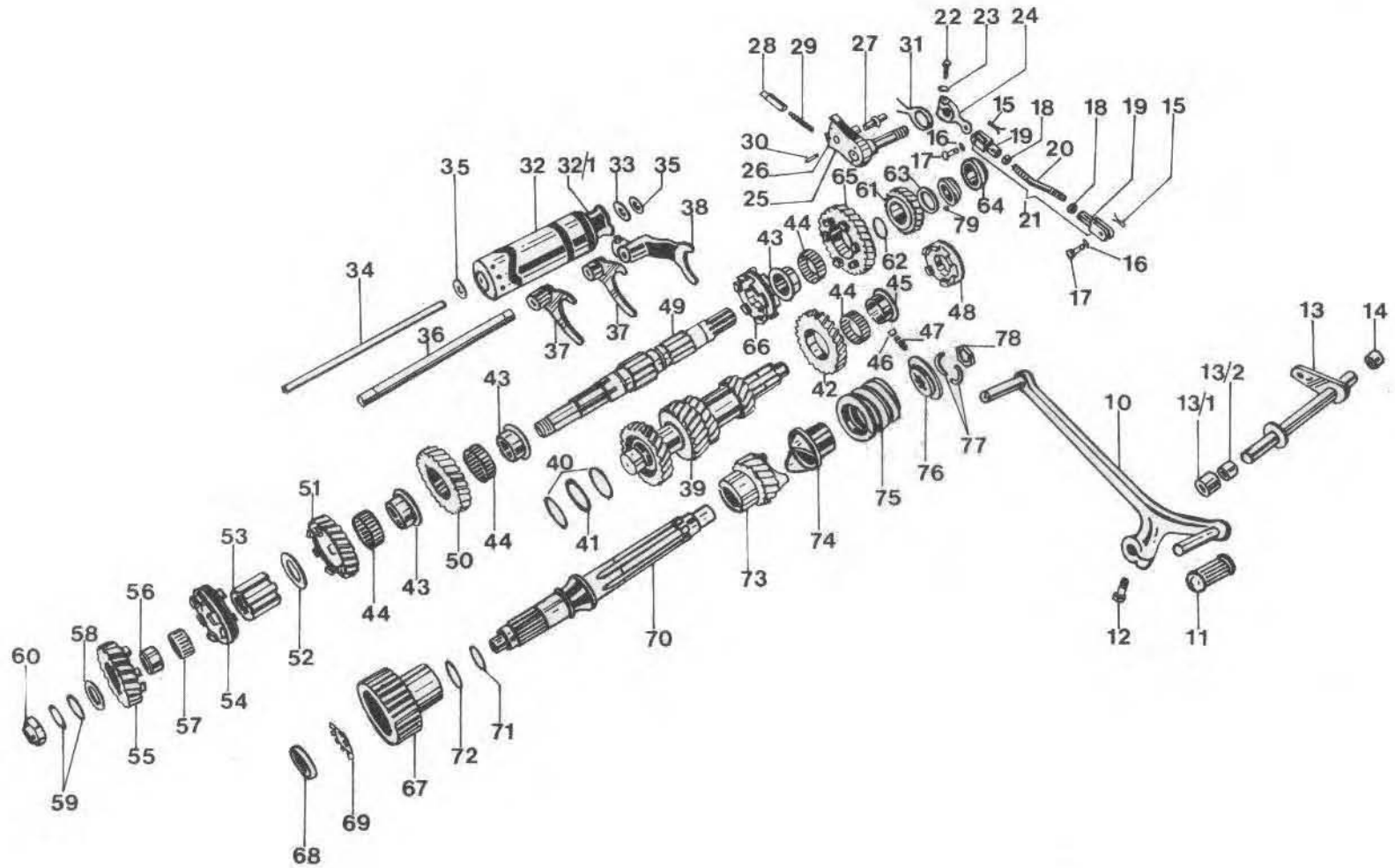




PLATE 9 MODEL: **V 850 Eldorado**  
**Primary drive**

GROUP: **Gearbox - gears and shafts**  
**Controls**

| Fig. N. | Order N.    | DESCRIPTION   | Q.ty | Notes              |
|---------|-------------|---|------|--------------------|
| 44      | 92 25 10 30 | Cage, roller, 1st, 2nd, and 3rd gears on layshaft and high gear on main shaft | 4    | Durkopp K30-35-13F |
| 45      | 14 21 22 10 | Bushing, high speed gear  | 1    |                    |
| 46      | 92 29 67 50 | Stop pin, high speed gear bushing   | 1    |                    |
| 47      | 94 32 10 51 | Spring, load, stop pin  | 1    |                    |
| 48      | 14 23 15 10 | Sliding sleeve, high speed gear engagement                                    | 1    |                    |
| 49      | 14 21 36 10 | Layshaft  | 1    |                    |
| 50      | 14 21 45 10 | Gear, 2nd speed, on layshaft  | 1    | Z = 25             |
| 51      | 14 21 48 10 | Gear, 3rd speed, on layshaft  | 1    | Z = 22             |
| 52      | 14 21 80 10 | Shim, 3rd speed gear  | 1    |                    |
| 53      | 14 23 25 10 | Sleeve, fixed   | 1    |                    |
| 54      | 14 23 10 10 | Sleeve, sliding, 3rd and 4th speed  | 1    |                    |
| 55      | 14 21 51 10 | Gear, 4th speed   | 1    |                    |
| 56      | 92 25 90 17 | Inner ring, roller cage, 4th speed gear                                       | 1    | Durkopp IR77x22x13 |
| 57      | 92 25 10 22 | Roller cage, 4th speed gear   | 1    | Durkopp K22x26x13F |
| 58      | 14 21 54 00 | Shim, 4th speed gear  | 1    |                    |
| 59      | 43 08 38 10 | Shim  | 2to4 |                    |
| 60      | 14 21 74 10 | Nut, on layshaft, 4th speed gear side   | 1    |                    |
| 61      | 14 21 52 10 | High speed gear   | 1    | Z = 18             |
| 62      | 90 70 62 03 | Retainer, high speed gear and clutch shaft                                    | 2    | OR 3081            |
| 63      | 14 21 73 00 | Shim  | 1    |                    |
| 64      | 14 21 93 10 | Nut, layshaft securing  | 1    |                    |
| 65      | 14 21 42 10 | Gear, first speed   | 1    | Z = 28             |
| 66      | 14 23 07 10 | Sleeve, sliding, 1st and 2nd speed  | 1    |                    |
| 67      | 14 08 18 10 | Body, inner, clutch   | 1    |                    |
| 68      | 93 60 10 22 | Lockring, inner clutch body   | 1    |                    |
| 69      | 95 02 80 22 | Washer, inner clutch body lockring  | 1    |                    |
| 70      | 14 21 07 01 | Shaft, clutch   | 1    |                    |
| 71      | 14 21 84 01 | Oil thrower   | 1    |                    |
| 72      | 90 70 62 35 | Seal, clutch shaft  | 1    | OR 2081            |
| 73      | 14 21 11 10 | Counter gear  | 1    | Z = 17             |
| 74      | 12 21 12 00 | Sliding muff  | 1    |                    |
| 75      | 13 21 15 00 | Spring, cush  | 1    |                    |
| 76      | 13 21 16 00 | Cush spring plate   | 1    |                    |
| 77      | 12 21 17 00 | Semi collar, cush spring plate retaining                                      | 2    |                    |
| 78      | 14 21 94 01 | Spacer on clutch shaft  | 1    |                    |
| 79      | 92 29 57 02 | Ball, counter gear fixing   | 1    |                    |

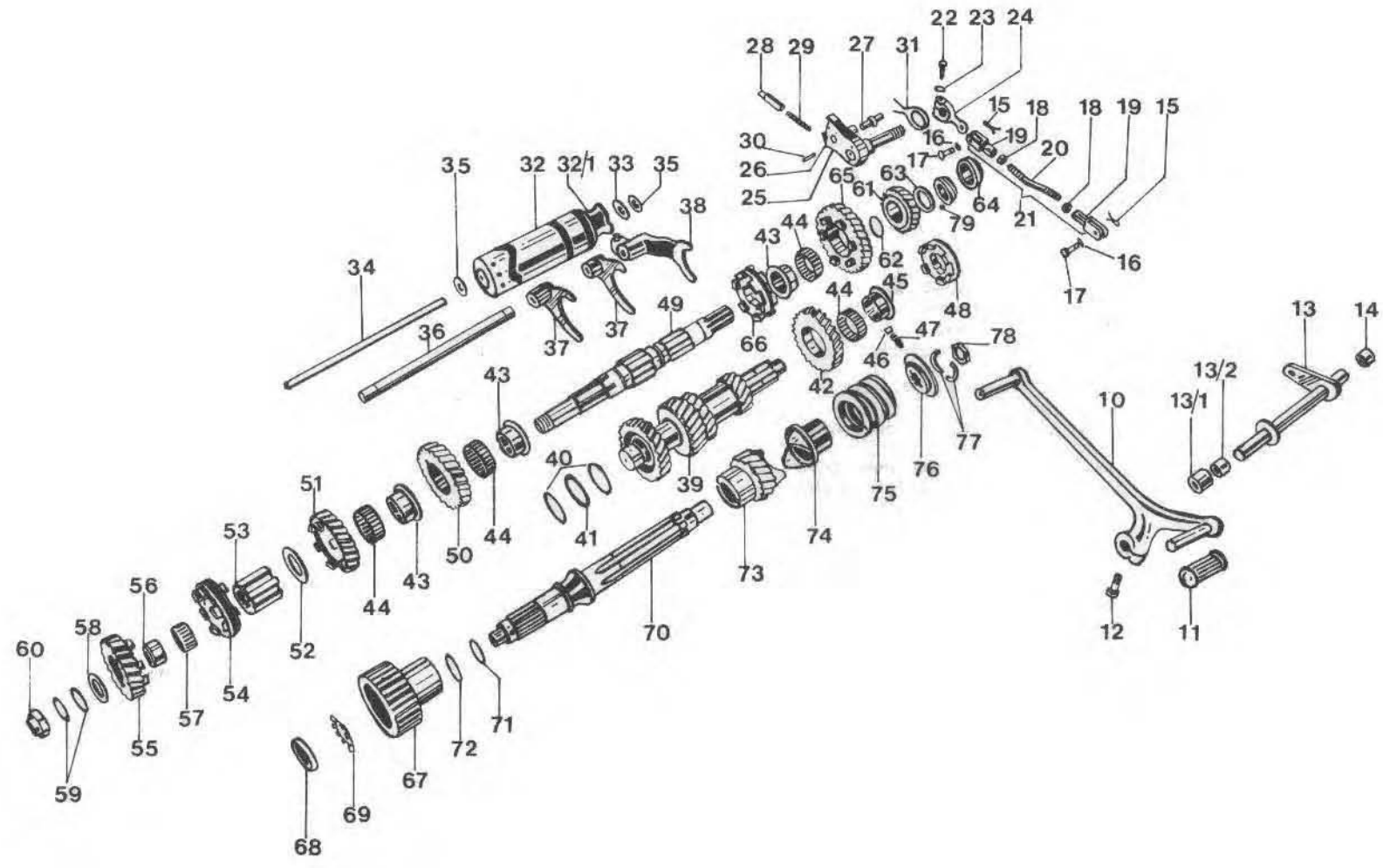




PLATE 10 MODEL **V 850 Eldorado**  
Rear wheel drive

GROUP: **Rear fork - Rear drive box**  
**Drive shaft - Bevel gears**

| Fig. N. | Order N.    | DESCRIPTION                                      | Q.ty   | Notes  |
|---------|-------------|--|--------|--|
| 10      | 12 54 02 00 | Rear fork  | 1      |  |
| 11      | 98 06 25 35 | Screw, rear fork clamp                           | 1      | 10x35 cr. plated                                   |
| 12      | 95 00 52 10 | Washer, clamp screw                              | 1      | Ros. 10,50 UNI 1736                                |
| 13      | 12 54 78 00 | Cap nut, rear fork to frame                      | 2      |  |
| 14      | 92 72 02 00 | Nut, fork spindle                                | 2      |  |
| 15      | 12 54 72 00 | Spacer   | 2      |  |
| 16      | 12 54 70 00 | Spindle, rear fork support                       | 2      |  |
| 17      | 90 40 30 40 | Seal, rear fork spindle                          | 2      | Angus 30x40x7                                      |
| 18      | 92 24 92 16 | Bearing, taper roller,                           | 2      | 17x40x12 (RIV 01/02/5010)                          |
| 19      | 96 50 80 45 | Bolt, drive box to swing arm                     | 4      |  |
| 20      | 95 12 00 85 | Washer, drive box bolts                          | 4      |  |
| 21      | 92 60 50 08 | Nut, drive box bolts                             | 4      | M8 UNI 5587 zinc. plated                           |
| 22      | 12 35 02 01 | Rear wheel drive, complete                       | 1      |  |
| 23      | 12 54 80 00 | Gaiter, rubber                                   | 1      |  |
| 24      | 12 54 82 01 | Band, large, gaiter to drive box                 | 1      |  |
| 25      | 12 54 84 01 | Band, small, gaiter to drive box                 | 1      |  |
| 26      | 12 32 80 00 | Double joint, layshaft to drive shaft            | 1      |  |
| 27      | 12 32 63 00 | Drive shaft                                      | 1      |  |
| 28      | 12 32 77 00 | Sleeve, drive shaft and bevel drive              | 1      |  |
| 29      | 90 27 10 20 | Circlip, drive shaft and bevel gears             | 3      | Seeger 20 e  |
| 30      | 90 27 20 58 | Circlip  | 1      | 58 i   |
| 31      | 92 20 42 28 | Bearing, ball, rear fork                         | 1      | 28x58x16 (RIV ALN 28)                              |
| 32      | 12 35 03 01 | Rear Drive box                                   | 1      |  |
| 33      | 12 00 37 01 | Oil filler plug                                  | 1      |  |
| 34      | 90 71 41 95 | Gasket, oil filler plug                          | 1      |  |
| 35      | 95 98 06 10 | Plug, oil level                                  | 1      |  |
| 36      | 90 71 41 01 | Washer, oil level                                | 1      |  |
| 37      | 12 35 15 01 | Flat washer, bottom, rear drive box              | 1      |  |
| 38      | 12 35 16 01 | Gasket, bottom plate, rear drive box             | 1      |  |
| 39      | 98 62 23 20 | Screws, bottom plate securing                    | 3      | M6x20 UNI 5931-67                                  |
| 40      | 92 24 92 25 | Bearing, taper roller, in drive box casing       | 2      | 8G zinc. plated<br>25x52x16,25 (RIV<br>01/02/7205) |
| 41      | 12 35 67 00 | Nut, bevel gears securing                        | 4      |  |
| 42      | 12 35 24 00 | Housing, bearing                                 | 1      |  |
| 43      | 12 35 26 00 | Gasket, drive box to bearing housing             | 1      |  |
| 44      | 90 70 64 90 | Seal, rear drive box                             | 1      |  |
| 45      | 12 35 29 00 | Gasket, bearing housing to rear fork             | 1      |  |
| 46      | 12 35 51 00 | Distance piece, bearings                         | 1      |  |
| 47      | 12 35 52 02 | Shim, spacer to bearing                          | 1 - 17 | (0.1 mm. = .0039")                                 |
|         | 12 35 52 03 | Shim, bevel gears                                | 6 - 14 | (0.15 mm. = .0059")                                |
|         | 12 35 53 01 | Spacer, bevel gears                              | 1 - 2  | (1 mm. = .039")                                    |
| 48      | 12 35 53 02 | Spacer, bevel gears                              | 1 - 2  | (1.2 mm. = .047")                                  |
|         | 12 35 53 03 | Spacer, bevel gears                              | 1 - 2  | (1.5 mm. = .059")                                  |
| 49      | 12 35 46 00 | Bevel gear set (pinion 8 teeth - crown 37 teeth) | 1      |  |

TAVOLA 10

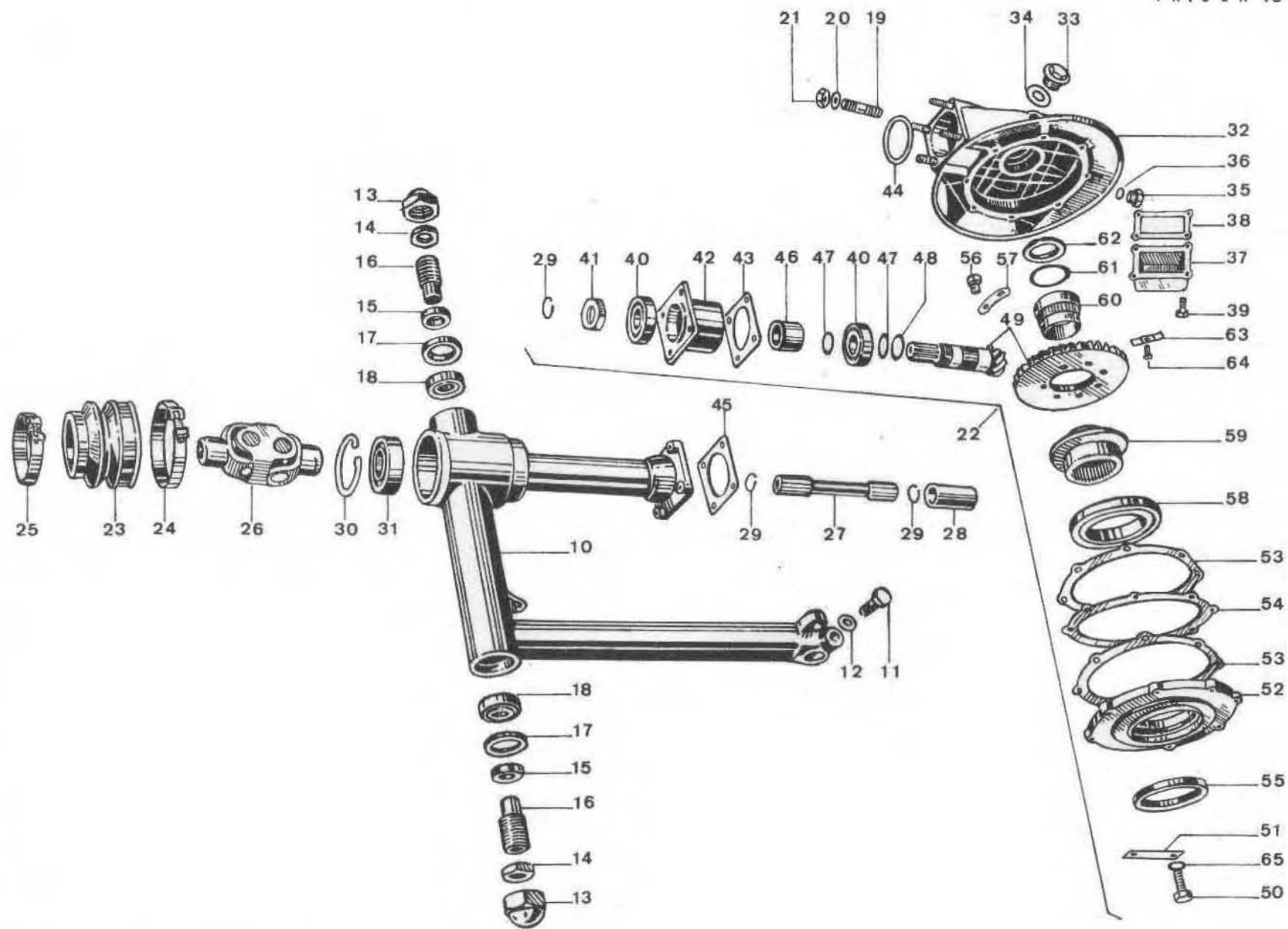




PLATE 10 MODEL: **V 850 Eldorado**  
**Rear wheel drive**

GROUP: **Rear fork - Rear drive box**  
**Drive shaft - Bevel gears**

| Fig. N. | Order N.    | DESCRIPTION                                      | Q.ty | Notes                              |
|---------|-------------|--|------|------------------------------------|
| 50      | 98 05 44 25 | Bolt, flange to drive box                        | 8    |                                    |
| 51      | 95 18 70 08 | Lock plate, flange fixing bolts                  | 4    |                                    |
| 52      | 12 35 04 00 | Flange, drive box                                | 1    |                                    |
| 53      | 12 35 07 00 | Gasket, flange to spacer and spacer to drive box | 2    |                                    |
| 54      | 12 35 54 00 | Shim   | 1    | (0.8 mm. = .031")                  |
|         | 12 35 54 02 | Shim   |      | (0.9 mm. = .035")                  |
|         | 12 35 54 04 | Shim   |      | (1 mm. = .030")                    |
|         | 12 35 54 06 | Shim   |      | (1.1 mm. = .043")                  |
|         | 12 35 54 08 | Shim   |      | (1.2 mm. = .047")                  |
|         | 12 35 54 10 | Shim   |      | (1.3 mm. = .051")                  |
| 55      | 90 40 70 85 | Seal   | 1    | Angus 70.85.8                      |
| 56      | 12 35 63 00 | Bolt, bevel gear to journal                      | 8    |                                    |
| 57      | 12 35 64 00 | Lock plate, bevel gear bolts to journal bearing  | 4    |                                    |
| 58      | 92 20 10 70 | Bearing, ball                                    | 1    | 70x110x13 (RIV ELL N. 70)          |
| 59      | 12 35 14 00 | Journal bearing                                  | 1    |                                    |
| 60      | 92 25 43 40 | Bearing, roller                                  | 1    | Durkopp NAF 40x55x17 C3            |
| 61      | 12 35 11 00 | Ring, cage retaining                             | 1    |                                    |
| 62      | 90 40 38 50 | Seal   | 1    | Angus 38.50.7                      |
| 63      | 12 35 13 00 | Plate, bearing retainer                          | 1    |                                    |
| 64      | 98 28 06 14 | Screw, roller bearing retaining plate            | 1    |                                    |
| 65      | 95 00 42 08 | Washer, flange securing screw                    | 8    | Ros. 8, 4 UNI 1736<br>zinc. plated |

TAVOLA 10

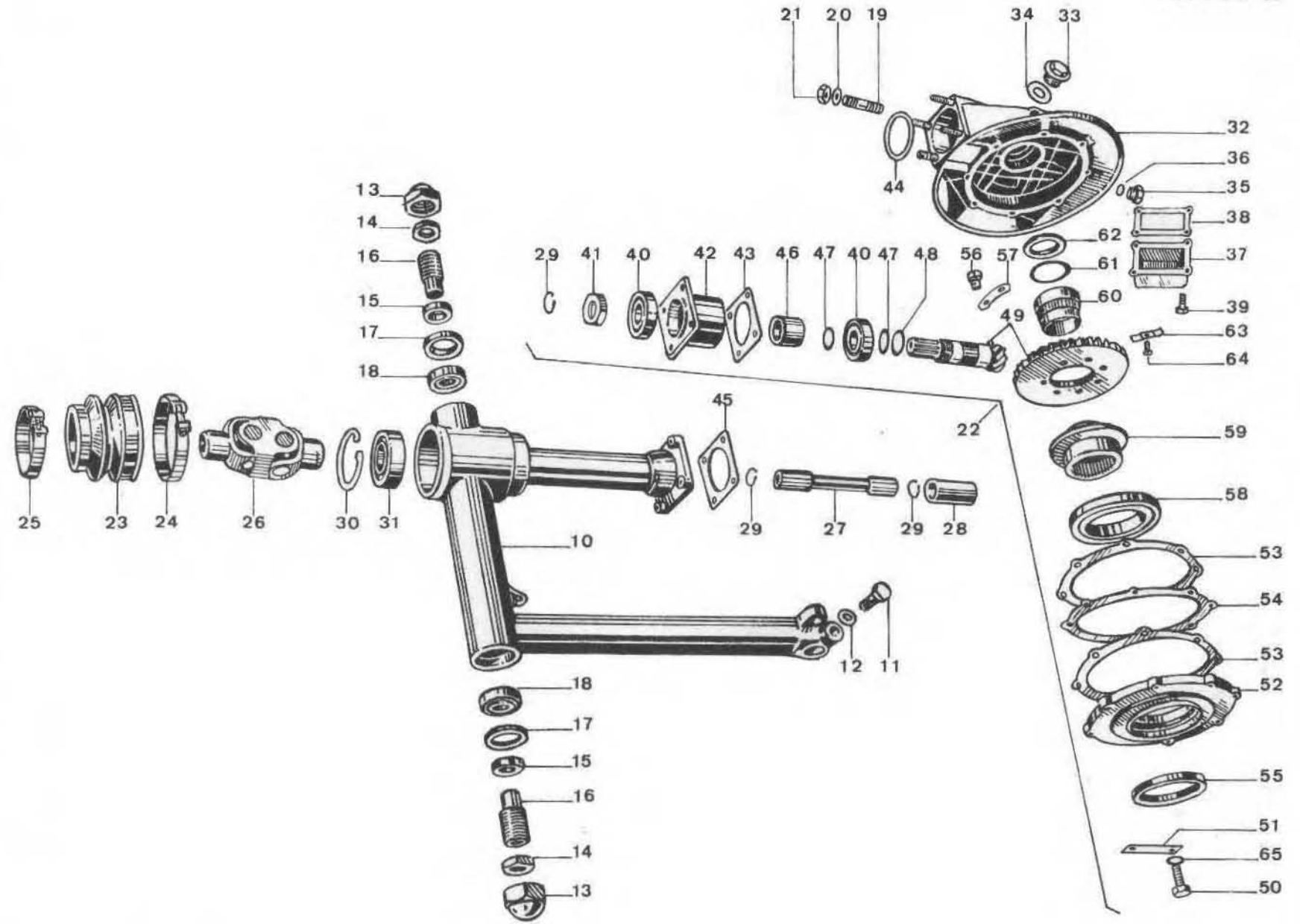




PLATE 11 MODEL: **V 850 Eldorado**  
**Frame**

GROUP: **Frame - Center stand - Side Stand**  
**Footrests - Rear Fender**

| Fig. N. | Order N.    | DESCRIPTION   | Qty | Notes |
|---------|-------------|---|-----|-------|
| 10      | 13 40 01 25 | Frame   | 1   |       |
| 11      | 92 70 01 28 | Nut, engine to frame bolt                                     | 2   |       |
| 12      | 95 10 04 15 | Washer, engine to frame bolt                                  | 2   |       |
| 13      | 12 42 97 01 | Spacer, front   | 2   |       |
| 14      | 12 42 98 00 | Spacer, rear  | 2   |       |
| 15      | 12 42 96 00 | Bolt, engine to frame securing                                | 2   |       |
| 16      | 91 18 09 49 | Spacer, tank securing plate                                   | 1   |       |
| 17      | 13 91 85 23 | Plate, serial number  | 1   |       |
| 18      | 92 85 07 52 | Decal, rear fender  | 1   |       |
| 19      | 45 91 85 70 | Rivet, serial number plate securing                           | 6   |       |
| 20      | 12 78 22 00 | Lock, antitheft   | 1   |       |
| 21      | 13 41 82 60 | Bracket, battery support                                      | 1   |       |
| 22      | 98 05 44 12 | Screw, safety guard to frame                                  | 2   |       |
| 23      | 98 05 44 18 | Screw, battery bracket securing                               | 4   |       |
| 24      | 95 10 12 31 | Washer, battery bracket securing screw                        | 4   |       |
| 25      | 98 11 00 15 | Screw, battery bracket to frame                               | 2   |       |
| 26      | 95 10 03 11 | Washer, battery bracket screws to frame and side stand screws | 5   |       |
| 27      | 12 43 03 01 | Center stand  | 1   |       |
| 28      | 92 63 01 10 | Nut, center and side stand securing bolts                     | 3   |       |
| 29      | 99 10 51 34 | Bolt, center stand  | 2   |       |
| 30      | 12 43 40 01 | Spring, return, center and side stand                         | 2   |       |
| 31      | 12 43 30 00 | Buffer, rubber, center and side stand                         | 2   |       |
| 32      | 12 43 20 00 | Side stand  | 1   |       |
| 33      | 12 43 28 00 | Bolt, side stand  | 1   |       |
| 34      | 92 60 22 08 | Nut, spring retaining dowel                                   | 1   |       |
| 35      | 95 10 02 25 | Washer, spring dowel  | 1   |       |
| 36      | 12 43 42 00 | Dowel, spring   | 1   |       |
| 37      | 95 00 42 15 | Washer, inner, damper securing spindle                        | 4   |       |
| 38      | 12 44 02 00 | Pivot arm, footrest   | 1   |       |
| 39      | 12 44 13 05 | Pivot arm, L/H footrest                                       | 1   |       |
| 40      | 12 44 32 00 | Rubber, footrest  | 2   |       |
| 41      | 95 10 03 37 | Washer, damper unit   | 4   |       |
| 42      | 55 44 23 00 | Footrest, passenger   | 2   |       |
| 43      | 55 44 33 85 | Rubber, passenger footrest                                    | 2   |       |
| 44      | 12 44 28 00 | U-plate, footrest securing                                    | 2   |       |
| 45      | 98 05 23 25 | Screw, footrest securing                                      | 2   |       |
| 46      | 95 10 01 30 | Washer, tool box and rear fender screws                       | 16  |       |
| 47      | 92 60 22 06 | Nut, footrests, tool box, and rear fender screws              | 10  |       |
| 48      | 98 05 45 22 | Screw, passenger footrest plate                               | 2   |       |
| 49      | 95 02 11 10 | Washer, footrest plate and hand grip securing screws          | 4   |       |
| 50      | 12 41 64 00 | Plate, footrest   | 2   |       |
| 51      | 12 45 03 00 | Safety bar, R/H   | 1   |       |
| 52      | 12 45 04 00 | Safety bar, L/H   | 1   |       |
| 53      | 13 55 02 40 | Shock absorber unit   | 2   |       |
| 54      | 12 53 23 01 | Spring, shock absorbers                                       | 2   |       |



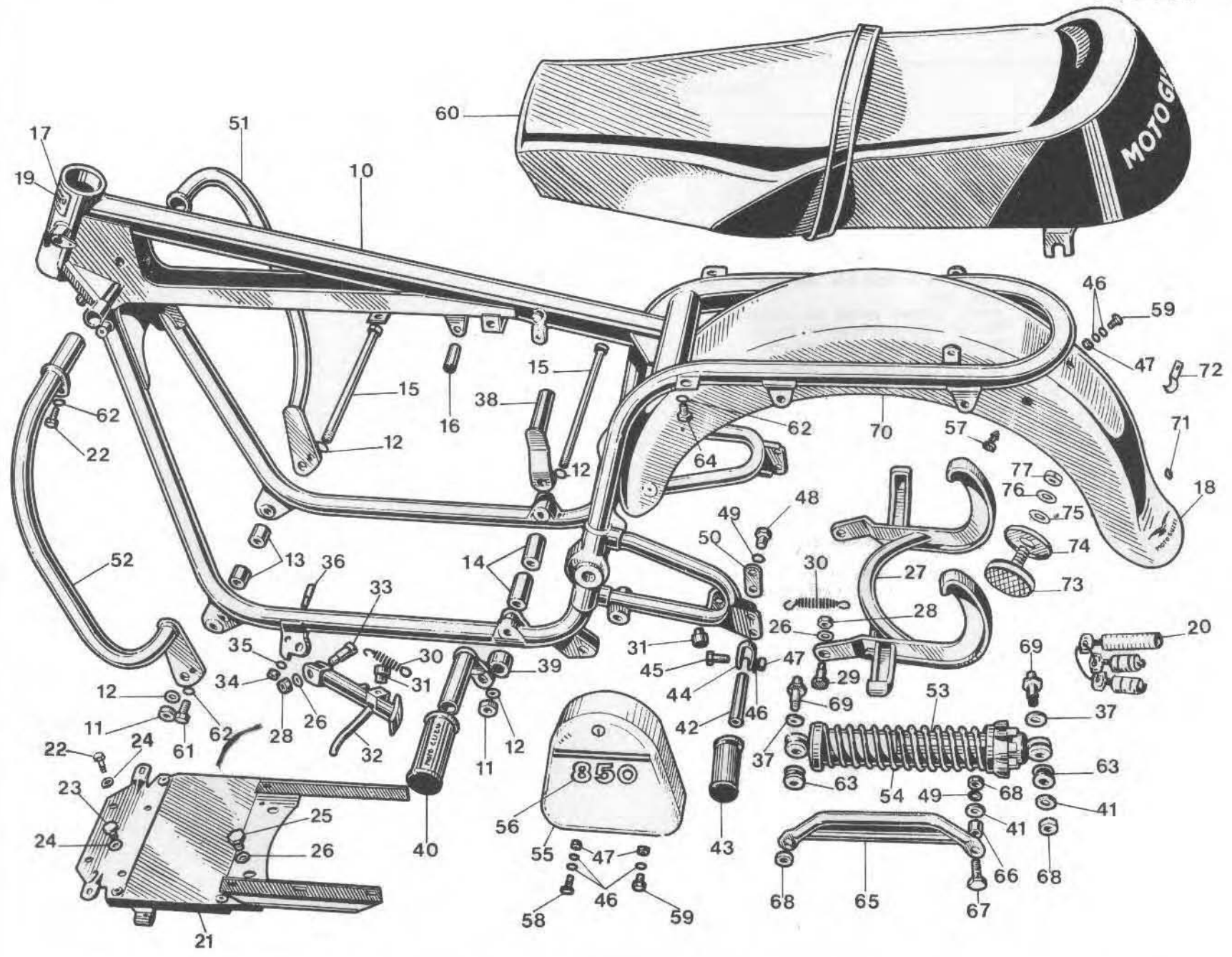




PLATE 11 MODEL: **V 850 Eldorado**  
**Frame**

GROUP: **Frame - Center stand - Side Stand**  
**Footrests - Rear Fender**

| Fig. N. | Order N.    | DESCRIPTION                                     | Q.ty | Notes |
|---------|-------------|---|------|-------|
| 55      | 13 47 60 25 | Tool box, black, with decal                     | 2    |       |
|         | 13 47 60 26 | Tool box, red, with decal                       |      |       |
|         | 13 47 60 27 | Tool box, white, with decal                     |      |       |
| 56      | 13 91 75 25 | Decal for red and black tool box                | 2    |       |
|         | 13 91 72 27 | Decal for white tool box                        |      |       |
| 57      | 93 18 00 70 | Grommet, rear fender                            | 2    |       |
| 58      | 98 10 60 17 | Screw, long, tool box and number plate securing | 2    |       |
| 59      | 98 05 43 12 | Screw, short, tool box and rear fender          | 6    |       |
| 60      | 12 46 05 02 | Seat, dual                                      | 1    |       |
| 61      | 98 05 44 18 | Screw, bottom, safety bar securing              | 2    |       |
| 62      | 95 02 11 08 | Washer, rear seat securing screw                | 6    |       |
| 63      | 10 55 16 00 | Bushing, flexible, rear dampers                 | 4    |       |
| 64      | 98 05 44 16 | Screw, front, seat securing                     | 2    |       |
| 65      | 12 46 43 20 | Handgrip, machine raising                       | 2    |       |
| 66      | 91 18 10 15 | Spacer  | 2    |       |
| 67      | 98 05 25 40 | Screw   | 2    |       |
| 68      | 92 60 22 10 | Nut, handgrip and damper securing               | 6    |       |
| 69      | 12 55 52 01 | Bottom boss, damper attachment                  | 2    |       |
|         | 12 55 53 51 | Top boss, damper attachment                     |      |       |
| 70      | 13 43 70 20 | Rear fender                                     | 1    |       |
| 71      | 91 55 10 81 | Grommet, tail lamp cable                        | 1    |       |
| 72      | 93 30 13 13 | Cable guide plate                               | 1    |       |
| 73      | 12 78 15 21 | Reflex reflector on rear fender (red)           | 2    |       |
| 74      | 14 51 70 00 | Rubber washer, reflex reflector                 | 2    |       |
| 75      | 93 11 00 60 | Rubber block                                    | 2    |       |
| 76      | 95 00 02 05 | Washer, reflex reflector                        | 2    |       |
| 77      | 92 63 01 05 | Self locking nut, reflex reflector              | 2    |       |

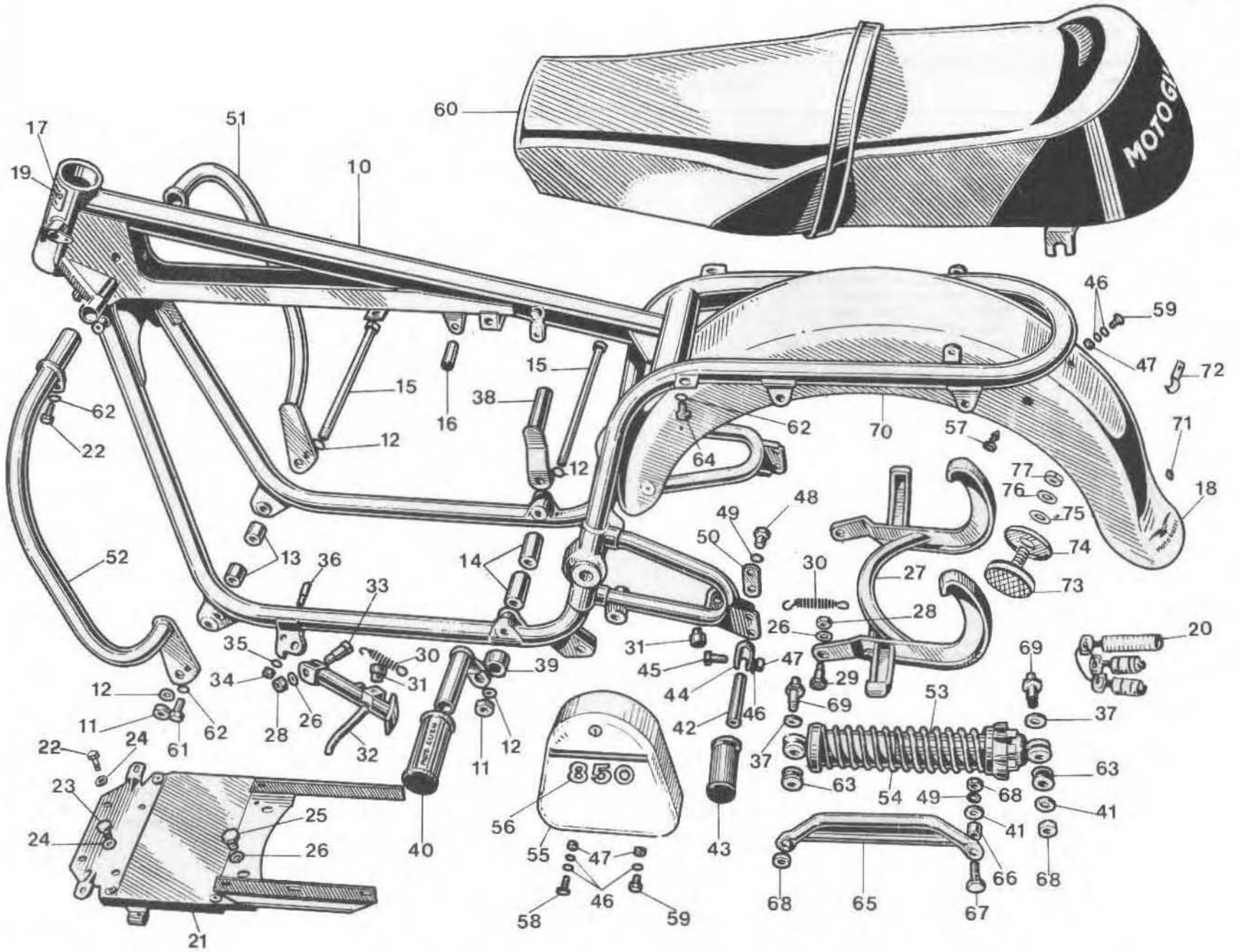




PLATE 12 MODEL: **V 850 Eldorado**  
**Front Suspension - Steering**

GROUP: **Front fork - Front fender - Steering**

| Fig. N. | Order N.    | DESCRIPTION                                       | Q.ty | Notes                           |
|---------|-------------|---|------|---------------------------------|
| 10      | 12 49 02 21 | Front fork, complete                              | 1    |                                 |
| 11      | 92 70 11 39 | Nut, top linking plate securing                   | 1    |                                 |
| 12      | 95 10 05 21 | Washer, top linking plate nut                     | 1    |                                 |
| 13      | 12 50 45 00 | Plug, top fork                                    | 2    |                                 |
| 14      | 90 70 62 22 | Gasket, top fork plugs                            | 2    |                                 |
| 15      | 12 50 46 00 | Washer, top fork plugs                            | 2    |                                 |
| 16      | 12 49 30 01 | Top linking plate                                 | 1    |                                 |
| 17      | 12 49 27 00 | Rubber seal on headlight bracket                  | 2    |                                 |
| 18      | 12 49 23 00 | Cap, headlight bracket                            | 2    |                                 |
| 19      | 93 60 10 26 | Lock ring, bottom yoke                            | 2    | SKF - KM5                       |
| 20      | 12 49 45 00 | Cap, steering tube                                | 1    |                                 |
| 21      | 92 24 92 25 | Bearing, taper roller, steering                   | 2    | 25x52x16,25 (RIV<br>01/02/7205) |
| 22      | 12 49 41 80 | Steering tube, bottom yoke                        | 1    |                                 |
| 23      | 92 70 12 52 | Nut, steering tube to bottom yoke                 | 1    |                                 |
| 24      | 12 49 42 01 | Bottom yoke                                       | 1    |                                 |
| 25      | 98 05 36 75 | Bolt, handlebar clamps                            | 2    |                                 |
| 26      | 95 10 14 30 | Washer, clamp bolts to bottom yoke                | 3    |                                 |
| 27      | 92 60 25 12 | Nut, clamp bolts to bottom yoke                   | 2    |                                 |
| 28      | 12 49 80 00 | Eyelet with securing plate, front brake cable     | 1    |                                 |
| 29      | 91 55 11 02 | Ring, rubber, front brake cable guide             | 1    |                                 |
| 30      | 12 49 61 21 | Headlight bracket, R/H                            | 1    |                                 |
| 31      | 12 49 62 21 | Headlight bracket, L/H                            | 1    |                                 |
| 32      | 12 52 76 00 | Bottom plate headlight bracket                    | 2    |                                 |
| 33      | 12 52 66 00 | Spring, front fork                                | 2    |                                 |
| 34      | 12 52 77 00 | Housing, fork springs                             | 2    |                                 |
| 35      | 90 40 35 50 | Seal  | 2    | 35x50x10                        |
| 36      | 12 55 54 00 | Fork tube   | 2    |                                 |
| 37      | 12 52 59 00 | Lock ring, fork rod and bottom fork link securing | 2    |                                 |
| 37/1    | 95 10 09 01 | Shim, bottom links securing lock rings            | 2    |                                 |
| 38      | 12 52 58 00 | Bushing, bottom fork tube                         | 2    |                                 |
| 39      | 12 52 25 00 | Cover, fork, R/H                                  | 1    |                                 |
| 40      | 12 52 26 00 | Cover, fork, L/H                                  | 1    |                                 |
| 41      | 90 70 64 90 | Gasket, fork cover                                | 2    |                                 |
| 42      | 12 52 72 10 | Washer, adjusting, top bush                       | 4    | (0.1 mm. = .0039")              |
| 43      | 90 35 30 46 | Circlip, fork cover                               | 2    |                                 |
| 44      | 12 52 72 00 | Shim, fork cover adjusting                        | 2    | (2 mm. = .078")                 |
|         | 12 52 72 01 | Shim, fork cover adjusting                        |      | (2.1 mm. = .082")               |
|         | 12 52 72 02 | Shim, fork cover adjusting                        |      | (2.2 mm. = .086")               |
|         | 12 52 72 03 | Shim, fork cover adjusting                        |      | (2.3 mm. = .090")               |
|         | 12 52 72 04 | Shim, fork cover adjusting                        |      | (2.4 mm. = .094")               |
| 45      | 12 52 67 00 | Bush, top fork cover                              | 2    |                                 |
| 46      | 98 02 05 35 | Bolt, handlebar clamp to headlight bracket        | 2    |                                 |
| 47      | 95 10 03 31 | Washer, handlebar clamp to headlight bracket bolt | 2    |                                 |
| 48      | 98 30 50 09 | Screw, oil drain from fork legs                   | 2    |                                 |

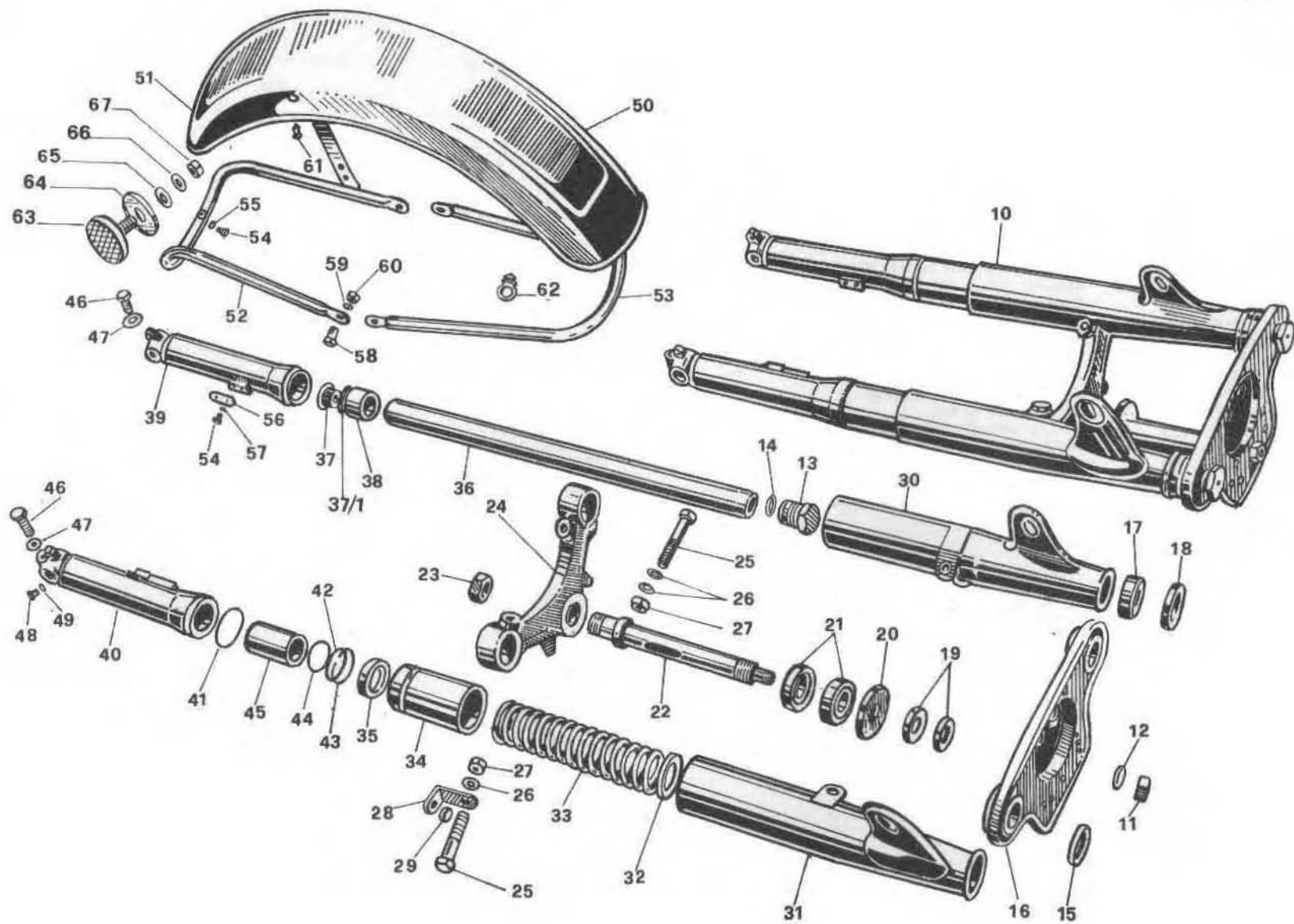




PLATE 12 MODEL **V 850 Eldorado**  
**Front Suspension - Steering**

GROUP: **Front fork - Front fender -  
Steering**

| Fig. N. | Order N.    | DESCRIPTION                               | Q.ty | Notes |
|---------|-------------|---|------|-------|
| 49      | 90 71 40 51 | Washer, oil drain screw                   | 2    |       |
| 50      | 13 43 43 20 | Front fender                              | 1    |       |
| 51      | 92 85 07 52 | Decal, front fender                       | 1    |       |
| 52      | 12 43 57 00 | Stay, top, front fender                   | 1    |       |
| 53      | 12 43 59 00 | Stay, bottom, rear fender                 | 1    |       |
| 54      | 98 05 43 12 | Screw, stay and center attachment plate   | 8    |       |
| 55      | 95 10 01 21 | Washer, stay securing screws              | 4    |       |
| 56      | 55 43 48 25 | Plate, center fender securing             | 2    |       |
| 57      | 95 10 01 30 | Washer, plate securing screws to fender   | 4    |       |
| 58      | 98 02 44 22 | Screw, front fender to fork               | 4    |       |
| 59      | 95 02 11 08 | Washer, front fork to fender screws       | 4    |       |
| 60      | 92 60 22 08 | Nut, front fork to fender screws          | 4    |       |
| 61      | 93 18 01 05 | Grommet, fender drilling                  | 1    |       |
| 62      | 13 43 65 61 | Eylet, cable guide                        | 1    |       |
| 63      | 12 78 16 21 | Reflex reflector on front fender, orange  | 2    |       |
| 64      | 14 51 70 00 | Rubber ring, reflex reflector             | 2    |       |
| 65      | 93 11 00 60 | Rubber cushion                            | 2    |       |
| 66      | 95 00 02 05 | Washer, reflex reflector fixing           | 2    |       |
| 67      | 92 63 01 05 | Self locking nut, reflex reflector fixing | 2    |       |

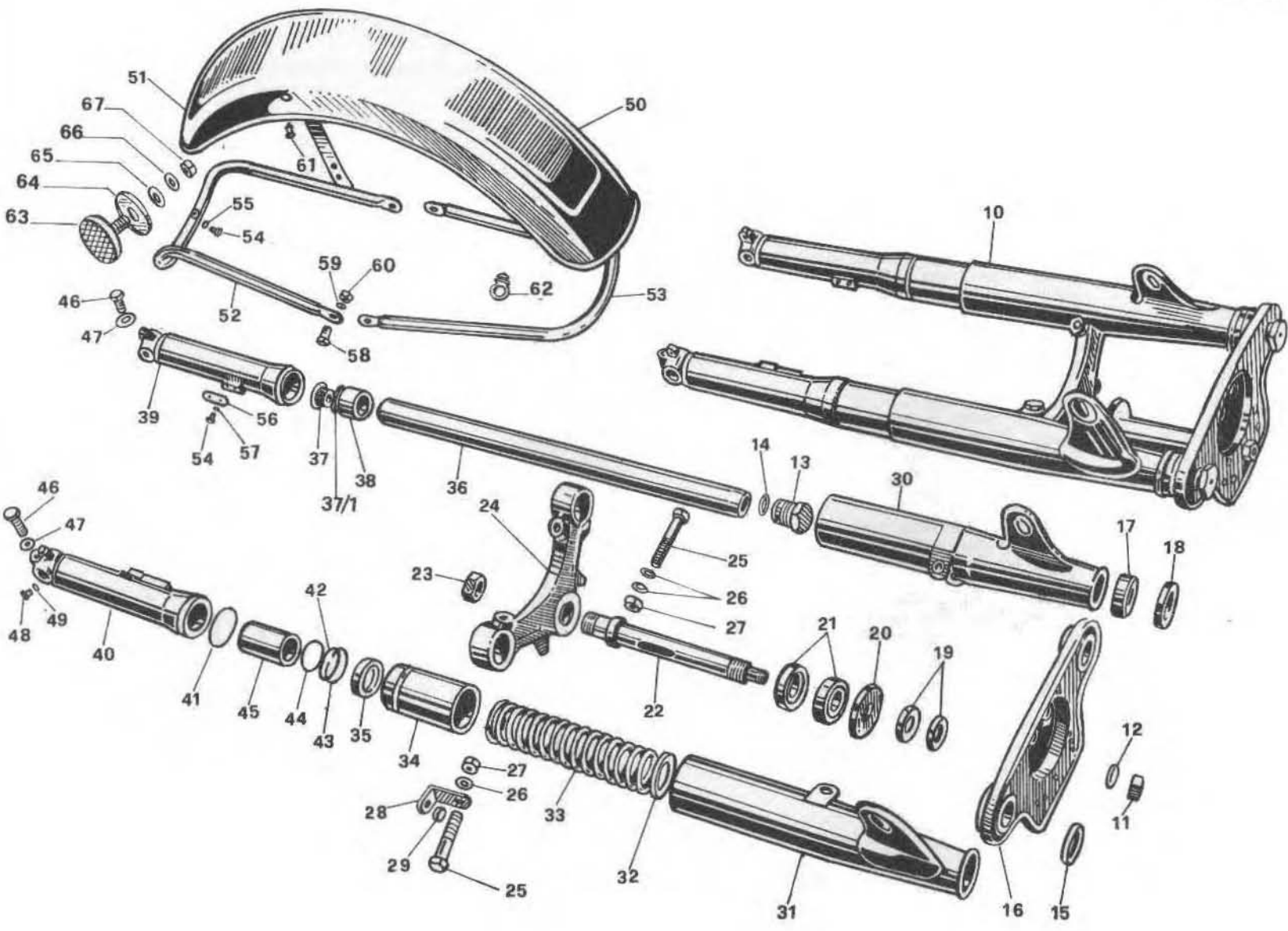




PLATE 13 MODEL: **V 850 Eldorado**  
**Steering**

GROUP: **Handlebar and control levers**

| Fig. N. | Order N.    | DESCRIPTION   | Qty | Notes |
|---------|-------------|---|-----|-------|
| 10      | 12 60 01 01 | Handlebar complete with control levers              | 1   |       |
| 10/1    | 12 60 03 00 | Handlebar, bare                                     | 1   |       |
| 11      | 13 60 54 45 | Lever, front brake, complete                        | 1   | Ci.Te |
| 12      | 12 60 56 05 | Lever, front brake, bare                            | 1   | Ci.Te |
| 13      | 13 60 10 45 | Fulcrum, front brake lever                          | 1   | Ci.Te |
| 14      | 98 32 60 20 | Screw, front brake and clutch lever securing        | 2   | Ci.Te |
| 15      | 95 02 11 06 | Washer, spring, front brake and clutch levers       | 2   |       |
| 16      | 92 60 24 06 | Nut, front brake and clutch levers                  | 2   |       |
| 17      | 95 79 02 37 | Adjuster, front brake and clutch lever cables       | 2   |       |
| 18      | 93 76 00 72 | Thumb screw, front brake and clutch cable adjusting | 2   |       |
| 19      | 98 62 03 30 | Screw Allen, front brake fulcrum securing           | 1   |       |
| 20      | 12 60 55 05 | Lever, clutch, complete                             | 1   | Ci.Te |
| 21      | 12 60 57 05 | Lever, clutch, bare                                 | 1   | Ci.Te |
| 22      | 12 60 19 05 | Fulcrum, clutch lever                               | 1   | Ci.Te |
| 23      | 98 62 03 18 | Screw, Allen, clutch lever fulcrum                  | 1   |       |
| 24      | 55 60 35 00 | Twist grip control, R/H                             | 1   |       |
| 25      | 55 60 34 00 | Rubber grip, throttle control                       | 1   |       |
| 26      | 55 60 30 00 | Rubber grip, handlebar, L/H                         | 1   |       |
| 27      | 12 11 80 05 | Lever, easy start                                   | 1   | Ci.Te |
| 28      | 91 18 07 10 | Bush, easy start lever securing screw               | 1   | Ci.Te |
| 29      | 95 51 03 13 | Pin, easy start lever                               | 1   | Ci.Te |
| 30      | 12 50 02 40 | Clamp handlebar                                     | 2   |       |
| 31      | 98 05 44 20 | Screw, clamp  | 4   |       |
| 32      | 95 02 11 08 | Washer, clamp screw                                 | 4   |       |
| 33      | 11 50 07 00 | Screw, clamp caps securing                          | 4   |       |
| 34      | 45 40 97 01 | Plug, clamp drillings sealing                       | 2   |       |



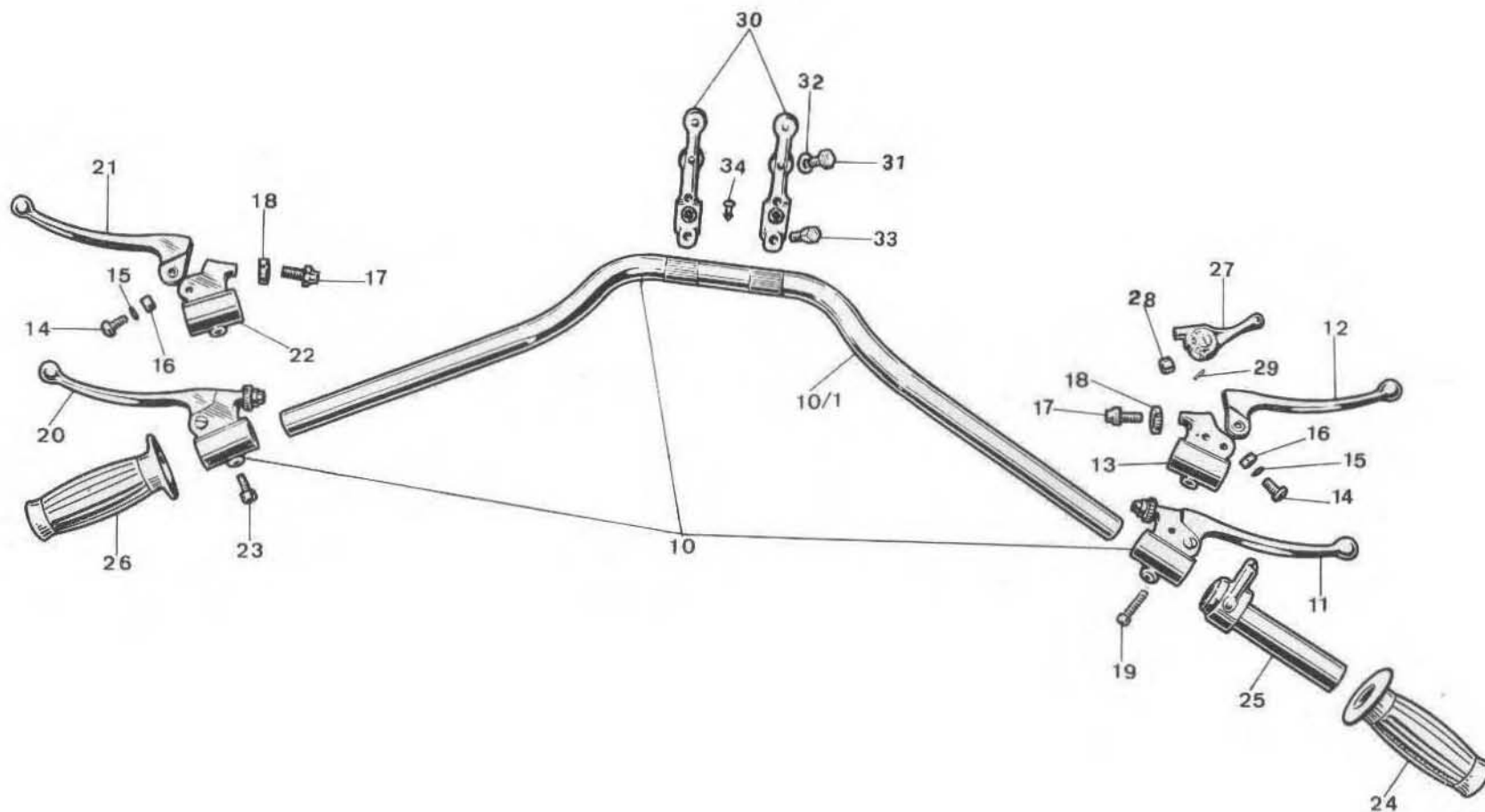




PLATE 14 MODEL: **V 850 Eldorado**  
**Instruments**

GROUP: **Speedometer - Rev counter -**  
**Warning lights - Connecting cables**

| Fig. N. | Order N.    | DESCRIPTION   | Q.ty | Notes |
|---------|-------------|---|------|-------|
| 10      | 13 50 15 00 | Instrument panel  | 1    |       |
| 11      | 13 50 22 00 | Rubber block, instrument panel  | 3    |       |
| 12      | 92 75 00 62 | Nut, rubber block securing  | 1    |       |
| 13      | 95 10 01 30 | Washer, rubber block  | 3    |       |
| 14      | 92 78 10 61 | Nut, panel securing   | 3    |       |
| 15      | 13 76 15 21 | Speedo head   | 1    |       |
| 16      | 90 70 67 46 | Gasket, speedometer   | 2    |       |
| 17      | 12 76 04 00 | Cable, speedometer  | 1    |       |
| 18      | 14 76 25 10 | Speedo drive, complete  | 1    |       |
| 19      | 12 76 33 00 | Ferrule, speedo drive   | 1    |       |
| 20      | 14 76 61 10 | Gear, speedo drive  | 1    |       |
| 21      | 13 76 72 00 | Rev-counter, electronic   | 1    |       |
| 22      | 10 74 49 00 | Neutral indicator light, orange   | 1    |       |
| 23      | 10 74 49 02 | Generator and oil pressure light, red                                     | 2    |       |
| 24      | 13 74 49 20 | High beam indicator, red  | 1    |       |
| 25      | 13 76 10 01 | Cable, red and orange lights connection                                   | 1    |       |
| 26      | 13 76 11 00 | Cable, neutral indicator to main cable                                    | 1    |       |
| 27      | 13 76 12 00 | Cable, indicator F and main cable   | 1    |       |
| 28      | 13 76 13 00 | Cable, indicator D and main cable   | 1    |       |
| 29      | 13 76 14 00 | Cable, two-core, instruments illumination                                 | 1    |       |
| 30      | 13 76 73 00 | Cable, ground, rev-counter  | 1    |       |
| 31      | 98 02 43 10 | Screw, grounding  | 1    |       |
| 32      | 13 76 77 01 | Cable, connection, rev-counter to contact breaker and rev-counter to coil | 4    |       |
| 33      | 13 76 49 00 | Connection plate, speedometer   | 1    |       |
| 34      | 13 76 78 00 | Connection plate, rev-counter   | 1    |       |
| 35      | 13 76 64 20 | Tag, warning lights L/H   | 1    |       |
| 36      | 13 76 63 20 | Tag, warning lights R/H   | 1    |       |
| 37      | 90 70 60 76 | Sealing ring, indicator bulbs   | 4    |       |
| 38      | 10 74 49 10 | Bulb, warning lights (12V — 3W)   | 4    |       |
| 39      | 10 75 49 00 | Glass, orange, neutral indicator  | 1    |       |
| 40      | 10 75 49 02 | Glass, red, generator, oil pressure, and high beam                        | 3    |       |

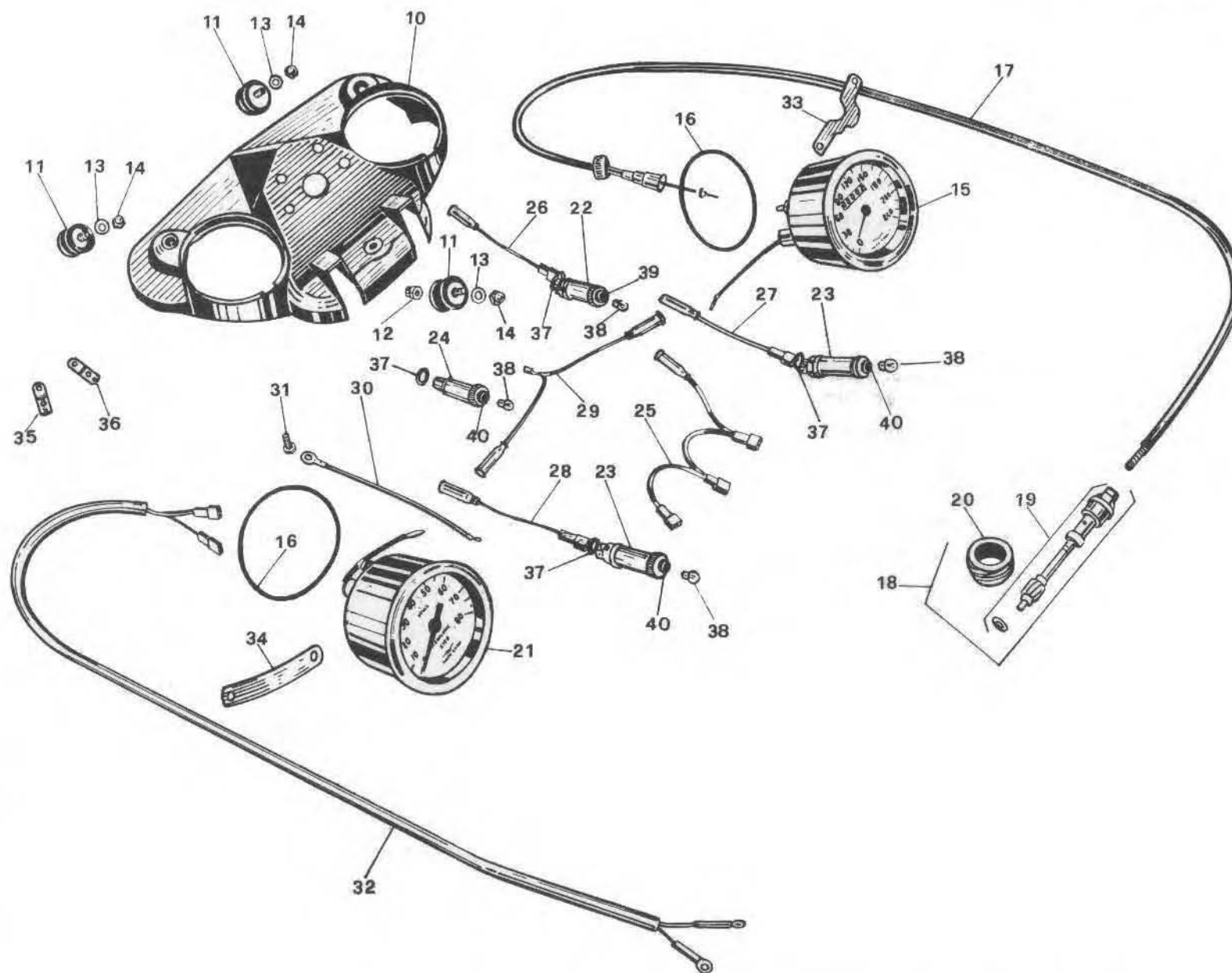




PLATE 15 MODEL: **V 850 Eldorado**  
**Wheels**

GROUP: **Front wheel - Hub - Brake controls**

| Fig. N. | Order N.    | DESCRIPTION  | Qty         | Notes                       |
|---------|-------------|--|-------------|-----------------------------|
| 10      | 12 61 02 00 | Front wheel, complete                                    | 1           |                             |
| 11      | 12 61 03 00 | Front wheel, bare, with bearings                         | 1           |                             |
| 12      | 12 61 08 00 | Rim, front wheel   | 1           |                             |
| 13      | 12 61 15 01 | Spoke, front wheel, c/w nipples                          | 40          |                             |
| 14      | 12 61 32 00 | Hub, front wheel   | 1           |                             |
| 15      | 92 70 01 71 | Nut, front wheel spindle                                 | 1           |                             |
| 16      | 95 10 06 28 | Washer, front wheel spindle                              | 2           |                             |
| 17      | 12 61 41 00 | Spindle, front wheel                                     | 1           |                             |
| 18      | 12 62 02 00 | Cover, rear hub  | 1           |                             |
| 19      | 12 62 08 00 | Brake shoe, c/w linings                                  | 2           |                             |
| 20      | 12 62 14 00 | Lining, brake shoe                                       | 2           |                             |
| 21      | 95 10 07 27 | Shim   | 6 to 12     |                             |
| 22      | 12 62 63 00 | Rubber protection, cable end                             | 1           |                             |
| 23      | 12 63 81 00 | Spring, front brake shoe                                 | 2           |                             |
| 24      | 12 62 32 00 | Pin, brake shoes   | 2           |                             |
| 25      | 95 10 03 11 | Washer, brake shoe pins                                  | 2           |                             |
| 26      | 92 60 22 10 | Nut, brake shoe pins                                     | 2           |                             |
| 27      | 12 62 25 00 | Cam, front brake shoes                                   | 2           |                             |
| 27/1    | 13 62 54 21 | Cable, front brake incorporating front brake stop cutout | 1           |                             |
| 28      | 12 62 53 00 | Lever, cam, double action                                | 1           |                             |
| 29      | 12 62 50 00 | Lever, brake cam   | 1           |                             |
| 30      | 98 10 60 22 | Bolt, lever to cams                                      | 2           |                             |
| 31      | 12 62 66 00 | Tie rod, c/w forks for operating levers                  | 1           |                             |
| 32      | 12 62 67 00 | Tie rod  | 1           |                             |
| 33      | 12 62 68 00 | Fork, tie rod  | 2           |                             |
| 34      | 92 60 22 06 | Nut, adjusting, tie rod                                  | 1           |                             |
| 35      | 95 78 02 65 | Pin, rod to operating lever                              | 2           |                             |
| 36      | 95 50 02 22 | Split pin, tie rod to control levers                     | 2           |                             |
| 37      | 95 12 91 10 | Washer, lever pin  | 2           |                             |
| 38      | 12 62 15 00 | Hub cover, R/H   | 1           |                             |
| 39      | 90 40 32 49 | Seal, hub  | 1           | Corteco 32.48.7 BA          |
| 40      | 12 61 52 00 | Bush, bearing housing                                    | 2           |                             |
| 41      | 92 24 69 22 | Bearing roller   | 2           | 22x48x15,5 (RIV 01/02/4210) |
| 42      | 12 61 58 00 | Shim (1 mm. = .039"), hub adjusting                      | as required |                             |
|         | 12 61 58 01 | Shim (1.1 mm. = .043"), hub adjusting                    |             |                             |
|         | 12 61 58 02 | Shim (1.2 mm. = .047"), hub adjusting                    |             |                             |
|         | 12 61 58 03 | Shim (1.3 mm. = .051"), hub adjusting                    |             |                             |
|         | 12 61 58 04 | Shim (1.4 mm. = .055"), hub adjusting                    |             |                             |
|         | 12 61 58 05 | Shim (1.5 mm. = .059"), hub adjusting                    |             |                             |
|         | 12 61 58 20 | Shim (2 mm. = .078"), hub adjusting                      |             |                             |
| 43      | 12 61 53 00 | Spacer, between hub bearings                             | 1           |                             |
| 44      | 12 61 61 01 | Balance weight, front wheel (gr. 15 = 230 grains)        | as required |                             |
|         | 12 61 61 02 | Balance weight, front wheel (gr. 20 = 307 grains)        |             |                             |
|         | 12 61 01 03 | Balance weight, front wheel (gr. 30 = 460 grains)        |             |                             |

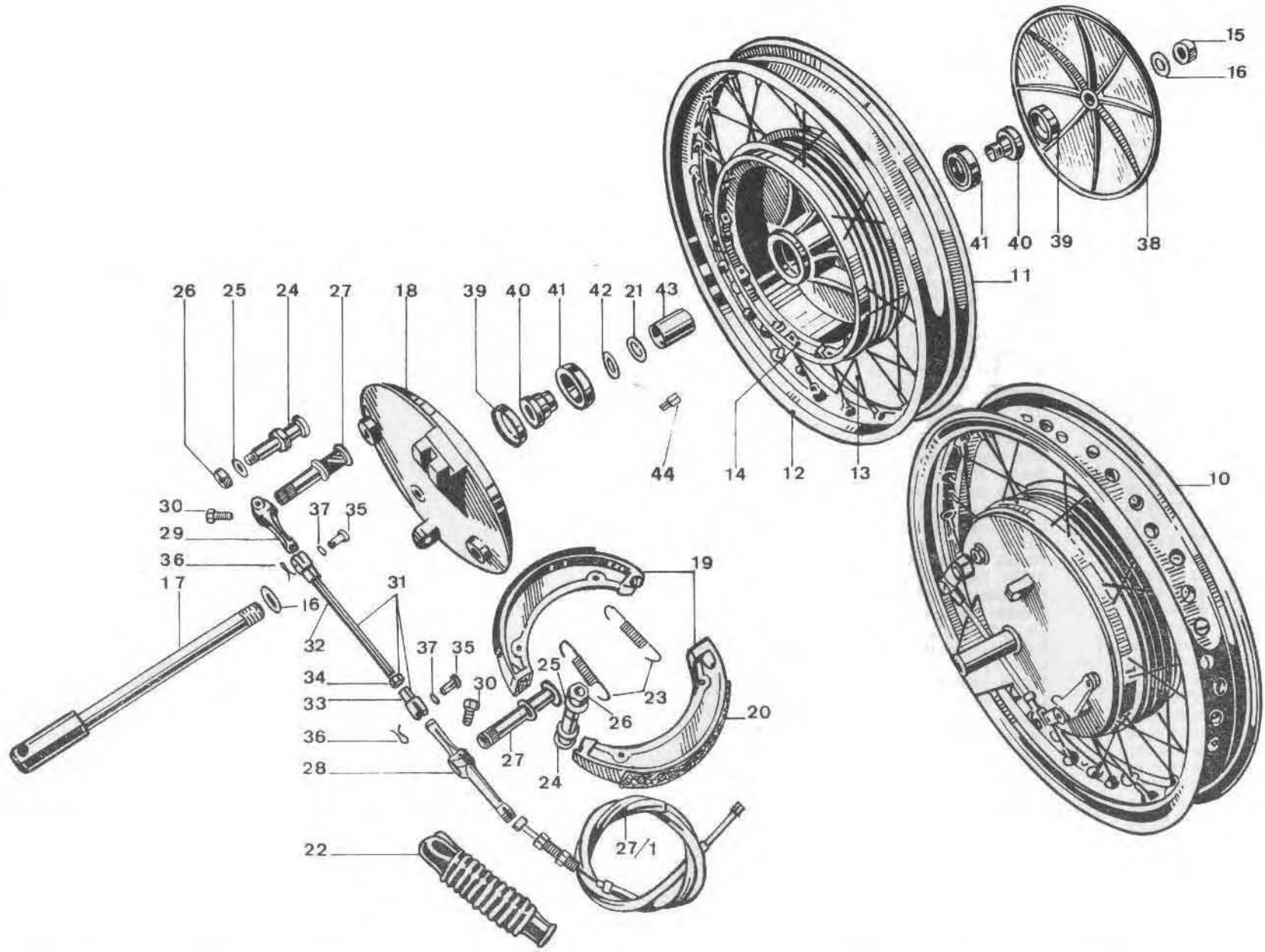




PLATE 16 MODEL: **V 850 Eldorado  
Wheels**

GROUP: **Rear wheel - Hub - Rear brake -  
Controls**

| Fig. N. | Order N.    | DESCRIPTION                              | Q.ty | Notes                       |
|---------|-------------|--|------|-----------------------------|
| 10      | 12 63 02 01 | Rear wheel, complete                     | 1    |                             |
| 11      | 12 63 05 00 | Rear wheel, c/w bearings                 | 1    |                             |
| 12      | 12 61 08 00 | Rim, rear wheel                          | 1    |                             |
| 13      | 12 61 15 01 | Spoke, rear wheel                        | 40   |                             |
| 14      | 12 63 30 00 | Hub, rear wheel                          | 1    |                             |
| 15      | 92 70 01 71 | Nut, rear wheel spindle                  | 1    |                             |
| 16      | 95 10 06 28 | Washer, rear wheel spindle               | 2    |                             |
| 17      | 12 63 33 00 | Spindle, rear wheel                      | 1    |                             |
| 18      | 12 63 41 00 | Spacer, rear wheel spindle               | 1    |                             |
| 19      | 12 63 52 01 | Cover, rear hub                          | 1    |                             |
| 20      | 12 63 74 00 | Shoe, rear brake, c/w linings and plates | 2    |                             |
| 21      | 12 62 14 00 | Lining, rear brake shoes                 | 2    |                             |
| 22      | 12 63 82 00 | Spring, rear brake shoes                 | 2    |                             |
| 23      | 12 63 62 01 | Pin, rear brake shoes                    | 1    |                             |
| 24      | 95 10 05 21 | Washer, rear brake shoes                 | 1    |                             |
| 25      | 92 70 11 48 | Nut, shoe pin                            | 1    |                             |
| 26      | 12 63 66 00 | Tie rod, rear hub cover                  | 1    |                             |
| 27      | 95 02 11 10 | Washer, rear hub cover rod               | 3    |                             |
| 28      | 92 60 22 10 | Nut, rear hub cover rod                  | 3    |                             |
| 29      | 98 11 00 20 | Screw, tie rod securing to rear fork     | 1    |                             |
| 30      | 98 05 25 50 | Screw, hub cover securing                | 1    |                             |
| 31      | 12 62 25 00 | Cam, rear shoes control                  | 1    |                             |
| 32      | 12 63 96 01 | Lever, cam operating                     | 1    |                             |
| 33      | 98 10 60 22 | Screw, lever to cam                      | 1    |                             |
| 34      | 95 73 02 60 | Thumb screw, rear brake adjusting rod    | 1    |                             |
| 35      | 95 71 63 68 | Roller, lever, on rear hub cover         | 1    |                             |
| 36      | 95 50 02 22 | Split pin, tie rod to shoe pin           | 1    |                             |
| 37      | 95 10 01 37 | Washer, tie rod to lever                 | 1    |                             |
| 38      | 12 67 60 01 | Tie rod, rear brake control              | 1    |                             |
| 39      | 12 67 54 05 | Spindle, c/w lever                       | 1    |                             |
| 40      | 12 67 70 05 | Lever, rear brake control                | 1    |                             |
| 41      | 98 05 44 25 | Screw, rear brake lever to spindle       | 1    |                             |
| 42      | 12 67 65 05 | Lever, rear brake spindle                | 1    |                             |
| 43      | 98 05 23 30 | Screw, lever to spindle                  | 1    |                             |
| 44      | 95 02 11 06 | Washer, lever securing screw             | 1    |                             |
| 45      | 92 60 22 06 | Nut, lever securing screw to pin         | 1    |                             |
| 46      | 90 27 10 14 | Circlip, pin retaining                   | 1    | Seeger 14 e                 |
| 47      | 92 60 50 08 | Nut, central body securing bolt          | 6    |                             |
| 48      | 95 10 12 31 | Washer, central body bolt                | 6    |                             |
| 49      | 98 10 80 38 | Bolt, central body securing              | 6    |                             |
| 50      | 12 63 32 00 | Central body                             | 1    |                             |
| 51      | 90 40 32 49 | Seal                                     | 2    | Corteco 32.48.77 BA         |
| 52      | 12 61 52 00 | Housing, taper roller bearing            | 2    |                             |
| 53      | 92 24 69 22 | Bearing, taper roller, hub               | 2    | 22x48x15.5 (RIV<br>02/4210) |

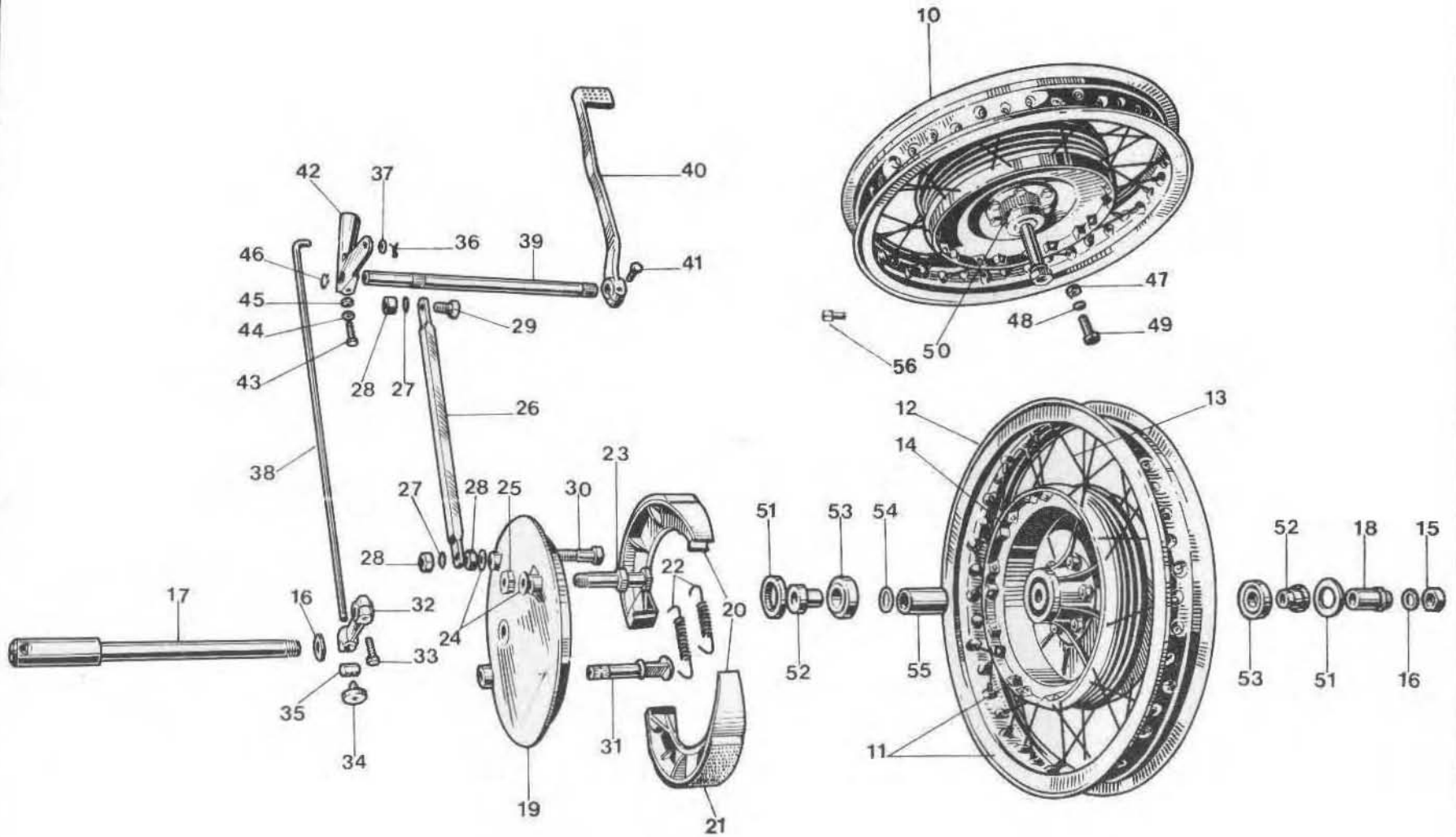




PLATE 16 MODEL: **V 850 Eldorado  
Wheels**

GROUP: **Rear wheel - Hub - Rear brake -  
Controls**

| Fig. N. | Order N.    | DESCRIPTION                                    | Q.ty                | Notes |
|---------|-------------|--|---------------------|-------|
| 54      | 12 61 58 00 | Shim, hub adjusting, 1 mm. = .039"             | as<br>required      |       |
|         | 12 61 58 01 | Shim, hub adjusting, 1.1 mm. = .043"           |                     |       |
|         | 12 61 58 02 | Shim, hub adjusting, 1.2 mm. = .047"           |                     |       |
|         | 12 61 58 03 | Shim, hub adjusting, 1.3 mm. = .051"           |                     |       |
|         | 12 61 58 04 | Shim, hub adjusting, 1.4 mm. = .055"           |                     |       |
|         | 12 61 58 05 | Shim, hub adjusting, 1.5 mm. = .059"           |                     |       |
| 55      | 12 61 58 20 | Shim, hub adjusting, 2 mm. = .078"             | 1<br>as<br>required |       |
|         | 12 63 40 00 | Spacer, hub bearings                           |                     |       |
| 56      | 12 61 61 01 | Balance weight, rear wheel 15 gr. = 230 grains |                     |       |
|         | 12 61 61 02 | Balance weight, rear wheel 20 gr. = 307 grains |                     |       |
|         | 12 61 61 03 | Balance weight, rear wheel 30 gr. = 460 grains |                     |       |



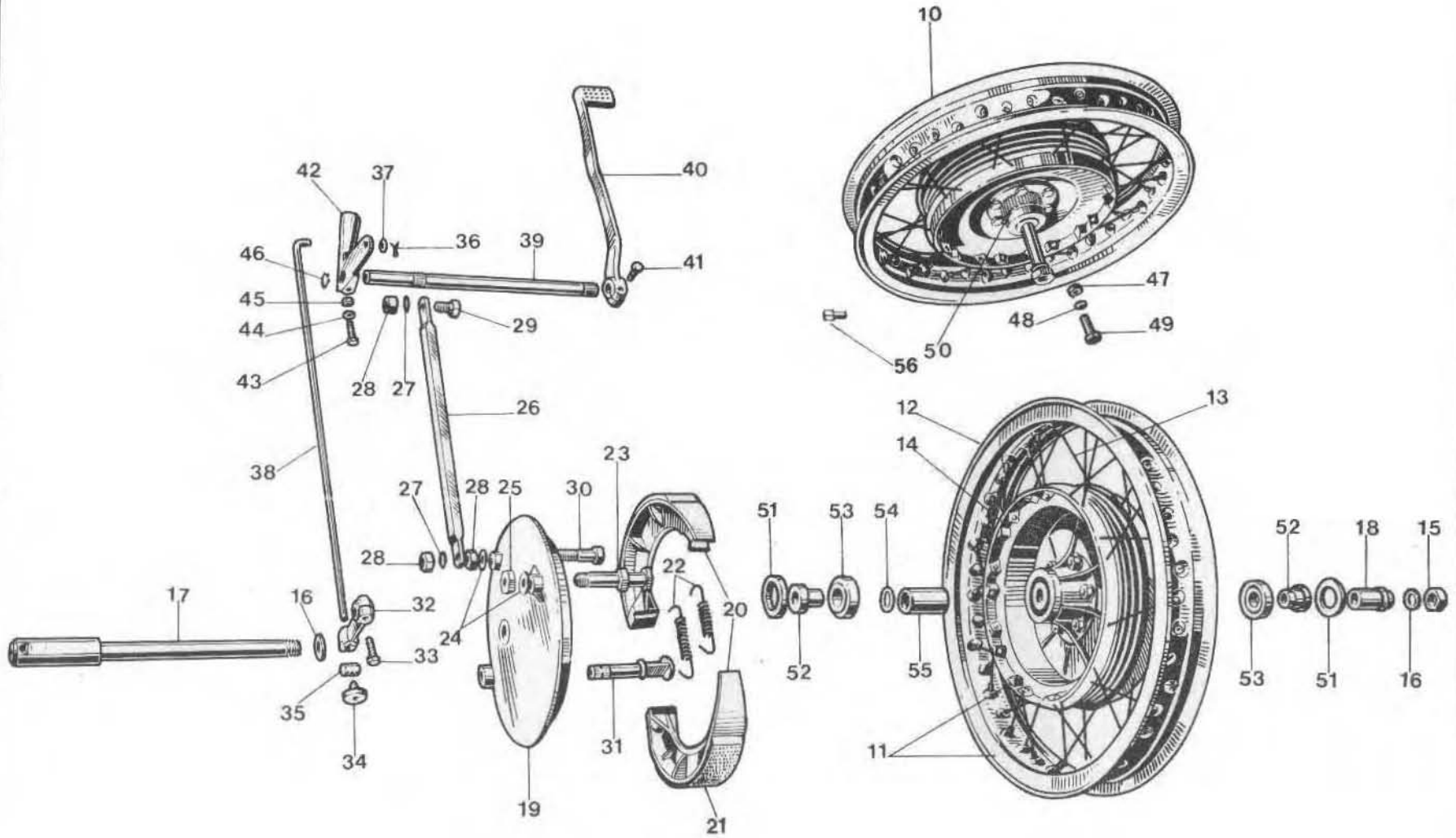


PLATE 17 MODEL: **V 850 Eldorado**  
**Electrical equipement**

GROUP: **Ignition and lighting**

| Fig. N. | Order N.    | DESCRIPTION   | Qty | Notes |
|---------|-------------|---|-----|-------|
| 10      | 12 70 02 05 | Generator (Bosch G 14 V — 25 A — 23)                              | 1   |       |
| 11      | 12 70 03 00 | Bracket, generator  | 1   |       |
| 12      | 98 05 44 20 | Screw, generator bracket  | 2   |       |
| 13      | 95 02 11 08 | Washer, generator bracket screws, coil and horn screws            | 5   |       |
| 14      | 12 70 07 00 | Band, generator   | 2   |       |
| 15      | 95 71 62 80 | Roller, threaded, generator band                                  | 1   |       |
| 16      | 95 71 63 80 | Roller, plain, generator band                                     | 1   |       |
| 17      | 99 10 51 27 | Screw, band securing  | 1   |       |
| 18      | 12 70 09 00 | Pin, band securing  | 2   |       |
| 19      | 95 50 02 22 | Split pin   | 4   |       |
| 20      | 12 70 06 10 | Cover, generator  | 1   |       |
| 21      | 12 70 25 05 | Belt (Pirelli 10x8x754)   | 1   |       |
| 22      | 98 05 43 12 | Screw, generator cover  | 4   |       |
| 23      | 95 02 11 06 | Washer, generator cover and starter button screws                 | 5   |       |
| 24      | 12 71 57 01 | Bracket, distributor  | 1   |       |
| 25      | 12 71 59 01 | Gasket, distributor bracket                                       | 1   |       |
| 26      | 98 05 44 25 | Screw, distributor bracket  | 1   |       |
| 27      | 95 10 12 31 | Washer, regulator bracket, coil and distributor bracket screws    | 6   |       |
| 28      | 12 71 54 00 | Distributor (Marelli S 123 A)                                     | 1   |       |
| 29      | 12 71 62 00 | Gear, distributor   | 1   |       |
| 30      | 95 51 03 18 | Pin, distributor gear securing                                    | 1   |       |
| 31      | 98 10 60 21 | Screw, distributor  | 1   |       |
| 32      | 95 10 01 37 | Washer, distributor screw   | 1   |       |
| 33      | 26 71 65 04 | Coil, ignition (Bosch 0221.114.006-E12V)                          | 1   |       |
| 34      | 98 05 44 12 | Screw, coil securing  | 2   |       |
| 35      | 92 60 22 08 | Nut, regulator to bracket and coil and horn securing screws       | 5   |       |
| 36      | 12 71 78 01 | H.T. lead, distributor to coil                                    | 1   |       |
| 37      | 12 71 76 00 | Cap, H.T. coil  | 1   |       |
| 38      | 45 71 76 00 | Cap, distributor-coil-plug and oil pressure solenoid leads        | 4   |       |
| 39      | 12 71 83 01 | H.T. lead, distributor to R/H plug, complete                      | 1   |       |
| 40      | 45 71 74 50 | Cap, spark plug   | 2   |       |
| 41      | 12 71 85 01 | H.T. lead, distributor to L/H plug, complete                      | 1   |       |
| 42      | 55 71 70 00 | Spark plug (n. 225 in Bosch-Marelli thermic scale or equivalent)  | 2   |       |
| 43      | 12 71 93 05 | L.T. lead, distributor to coil                                    | 1   |       |
| 44      | 12 70 29 00 | Cap, small  | 2   |       |
| 45      | 12 73 07 05 | Starter motor (Bosch 0,5 HP — 12 V)                               | 1   |       |
| 45/1    | 12 73 10 00 | Cable, grounding, starter motor                                   | 1   |       |
| 46      | 12 70 38 05 | Regulator (Bosch VA 14 V — 25 A)                                  | 1   |       |
| 46/1    | 12 74 77 00 | Cable, from regulator to ground                                   | 1   |       |
| 47      | 12 73 28 00 | Bracket, regulator and starter solenoid                           | 1   |       |
| 48      | 12 73 27 05 | Cable, from regulator (B+) to starter solenoid                    | 1   |       |
| 49      | 12 70 42 00 | Washer, regulator bracket   | 1   |       |
| 50      | 12 73 53 00 | Switch, ignition (Marelli « 25 O » — O 161 C, complete with keys) | 1   |       |
| 51      | 12 73 57 50 | Cover, ignition key   | 1   |       |
| 52      | 90 70 62 52 | Washer, ignition switch   | 1   |       |

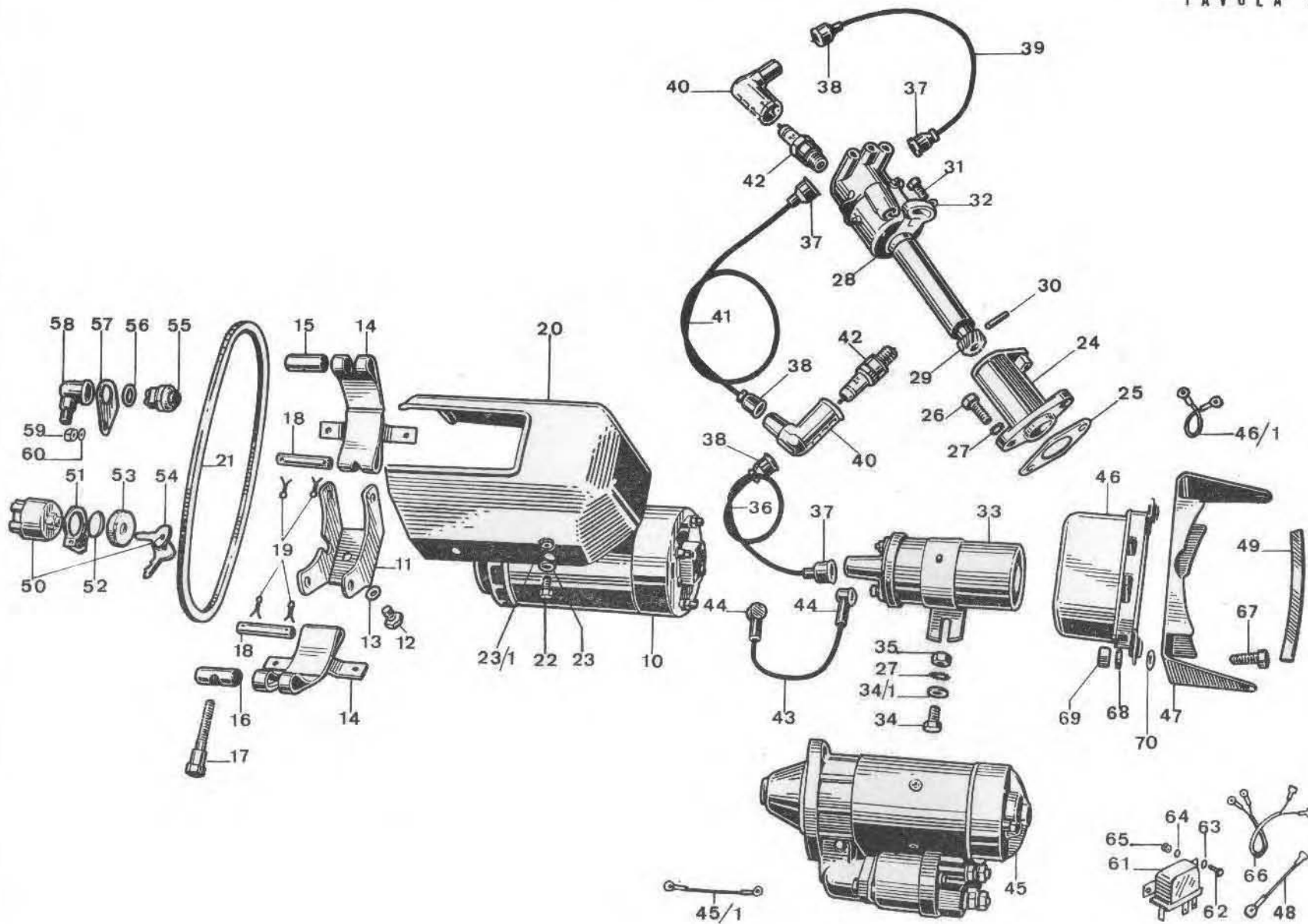




PLATE 17 MODEL: **V 850 Eldorado**  
**Electrical equipement**

GROUP: **Ignition and lighting**

| Fig. N. | Order N.    | DESCRIPTION   | Qty | Notes |
|---------|-------------|---|-----|-------|
| 53      | 12 73 54 00 | Lock ring, ignition switch                                      | 1   |       |
| 54      | 12 73 55 00 | Key, ignition switch (Blank keys supplied with letters E-F-G-H) | 2   |       |
| 55      | 26 73 50 01 | Starter button  | 1   |       |
| 56      | 90 70 61 63 | Washer, starter button  | 1   |       |
| 57      | 12 73 49 00 | Plate, starter button   | 1   |       |
| 58      | 25 70 71 00 | Cap, button protection  | 1   |       |
| 59      | 92 60 22 06 | Nut, starter button bracket                                     | 1   |       |
| 60      | 95 10 01 30 | Washer, nut starter button bracket                              | 1   |       |
| 61      | 12 73 25 00 | Starter solenoid  | 1   |       |
| 62      | 98 05 42 14 | Screw, starter solenoid securing                                | 2   |       |
| 63      | 95 00 02 05 | Washer, flat, starter solenoid screws                           | 2   |       |
| 64      | 95 02 11 05 | Washer, toothed, starter solenoid screws                        | 2   |       |
| 65      | 92 60 22 05 | Nut, starter solenoid nuts                                      | 2   |       |
| 66      | 12 73 26 05 | Cable harness from solenoid to starter relay                    | 1   |       |
| 67      | 98 05 43 20 | Screw, regulator securing to U-plate                            | 2   |       |
| 68      | 95 10 01 21 | Washer, regulator securing screws                               | 2   |       |
| 69      | 92 60 22 06 | Nut, regulator securing screws                                  | 2   |       |
| 70      | 91 55 10 53 | Insulating bush, regulator                                      | 1   |       |
| A       | 93 30 11 75 | Clamp, on gearbox, grounding cables                             | 1   |       |

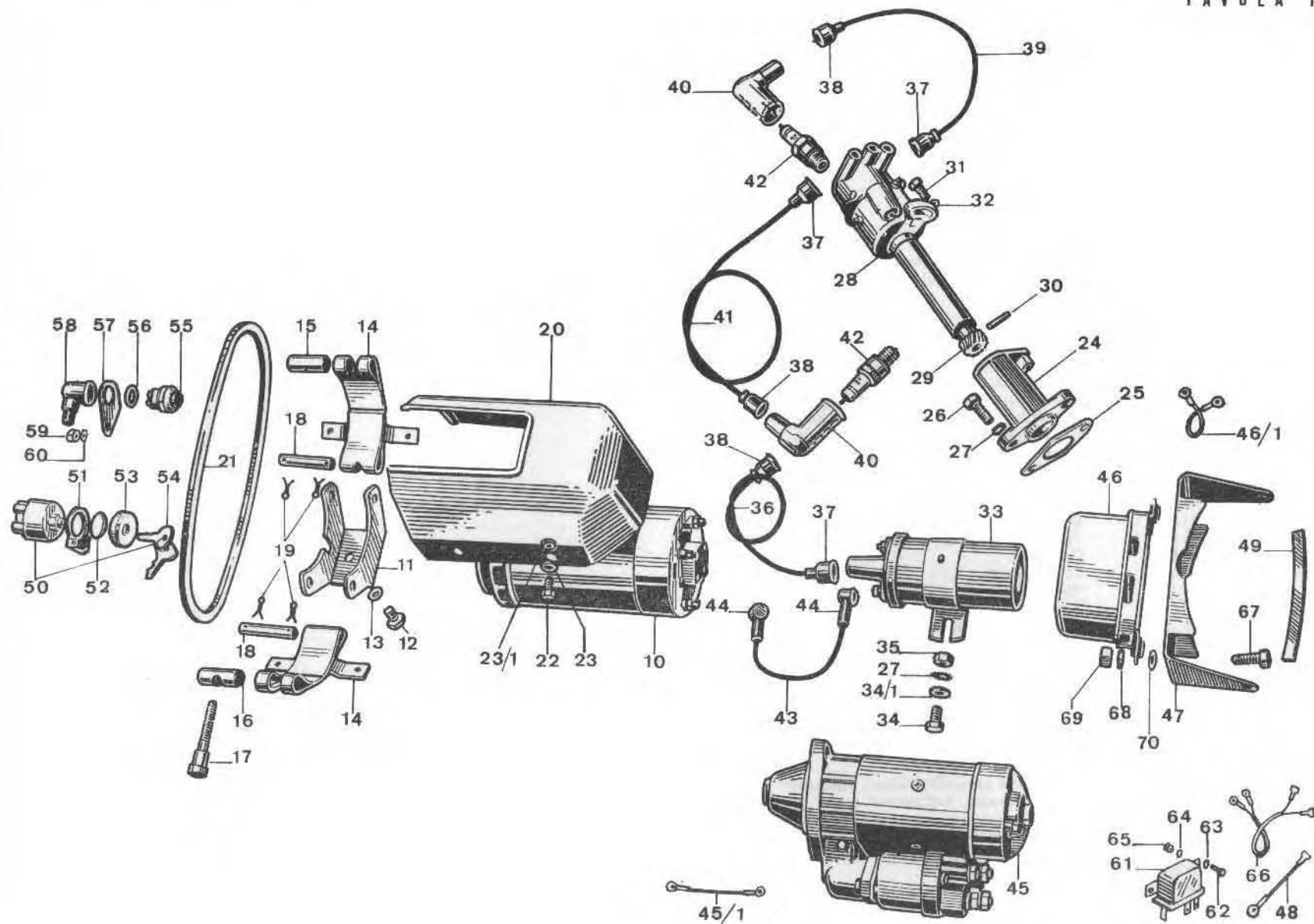




PLATE 18 MODEL: **V 850 Eldorado**  
**Electrical equipment**

GROUP: **Headlight - Battery - Horn -  
 Tail light - Control cables**

| Fig. N. | Order N.    | DESCRIPTION                                  | Q.ty | Notes         |
|---------|-------------|--|------|---------------|
| 10      | 12 74 05 21 | Headlight, c/w switch                        | 1    | CEV mod. 4506 |
| 11      | 12 74 60 01 | Switch, c/w cables                           | 1    |               |
| 12      | 25 74 37 01 | Horn, Bosch                                  | 1    |               |
| 13      | 98 62 04 20 | Screw, horn securing                         | 1    |               |
| 14      | 92 60 22 08 | Nut, horn and flasher unit securing screw    | 2    |               |
| 15      | 95 02 11 08 | Washer, horn and flasher unit securing screw | 2    |               |
| 16      | 24 70 45 00 | Battery (12V - 32Ah)                         | 1    |               |
| 17      | 12 70 56 00 | Gasket, battery                              | 1    |               |
| 18      | 12 70 46 01 | Frame, top battery securing                  | 1    |               |
| 19      | 12 70 55 00 | Stud, top frame securing                     | 2    |               |
| 20      | 92 60 22 06 | Nut, battery frame and number plate stud     | 6    |               |
| 21      | 95 10 01 30 | Washer, battery and number plate stud        | 8    |               |
| 22      | 13 70 52 25 | Cover battery R/H black c/w decal            | 1    |               |
|         | 13 70 52 26 | Cover battery R/H red c/w decal              |      |               |
|         | 13 70 52 27 | Cover battery R/H white c/w decal            |      |               |
| 23      | 13 70 54 25 | Cover battery L/H black c/w decal            | 1    |               |
|         | 13 70 54 26 | Cover battery L/H red c/w decal              |      |               |
|         | 13 70 54 27 | Cover battery L/H white c/w decal            |      |               |
| 24      | 13 91 78 25 | Decal, for red and black battery cover       | 1    |               |
|         | 13 91 78 27 | Decal, for white battery cover               | 1    |               |
| 25      | 13 70 73 00 | Rubber ring                                  | 1    |               |
| 26      | 13 70 66 00 | Thumb screw, cover locking                   | 2    |               |
| 27      | 12 70 68 00 | Grommet                                      | 4    |               |
| 28      | 55 74 11 00 | Stop cutout                                  | 1    |               |
| 29      | 13 74 89 20 | Cable, two-pole, stop cutout                 | 1    |               |
| 30      | 98 30 50 17 | Screw, stop cutout                           | 2    |               |
| 31      | 95 10 00 55 | Washer, stop cutout screws                   | 2    |               |
| 32      | 92 70 00 50 | Nut, stop cutout screws                      | 2    |               |
| 33      | 12 47 49 21 | Number plate, c/w tail light                 | 1    |               |
| 34      | 93 45 02 23 | Bulb, tail light (21/5W — 12V)               | 1    |               |
| 35      | 98 02 43 10 | Screw, bottom, number plate                  | 3    |               |
| 36      | 12 71 76 00 | Cap, oil pressure solenoid                   | 1    |               |
| 37      | 26 70 67 00 | Cap, battery cable                           | 1    |               |
| 38      | 12 70 30 00 | Cap, large                                   | 2    |               |
| 39      | 25 70 71 00 | Cap  | 1    |               |
| 40      | 12 74 71 07 | Main cable assembly, Bosch equipment         | 1    |               |
| 41      | 12 74 72 00 | Cable harness, instrument panel to headlight | 1    |               |
| 42      | 12 74 77 00 | Cable, grounding                             | 1    |               |
| 43      | 12 74 74 20 | Connections, internal, headlight             | 1    |               |
| 44      | 12 74 75 01 | Cable, stop lamp to stop cutout              | 1    |               |
| 45      | 12 74 79 00 | Cable from battery                           | 1    |               |
| 46      | 12 74 86 00 | Cable harness, turn light attachment         | 1    |               |
| 47      | 13 74 16 40 | Plate, flasher unit attachment               | 1    |               |
| A       | 98 05 44 12 | Screw, flasher unit securing plate           | 1    |               |

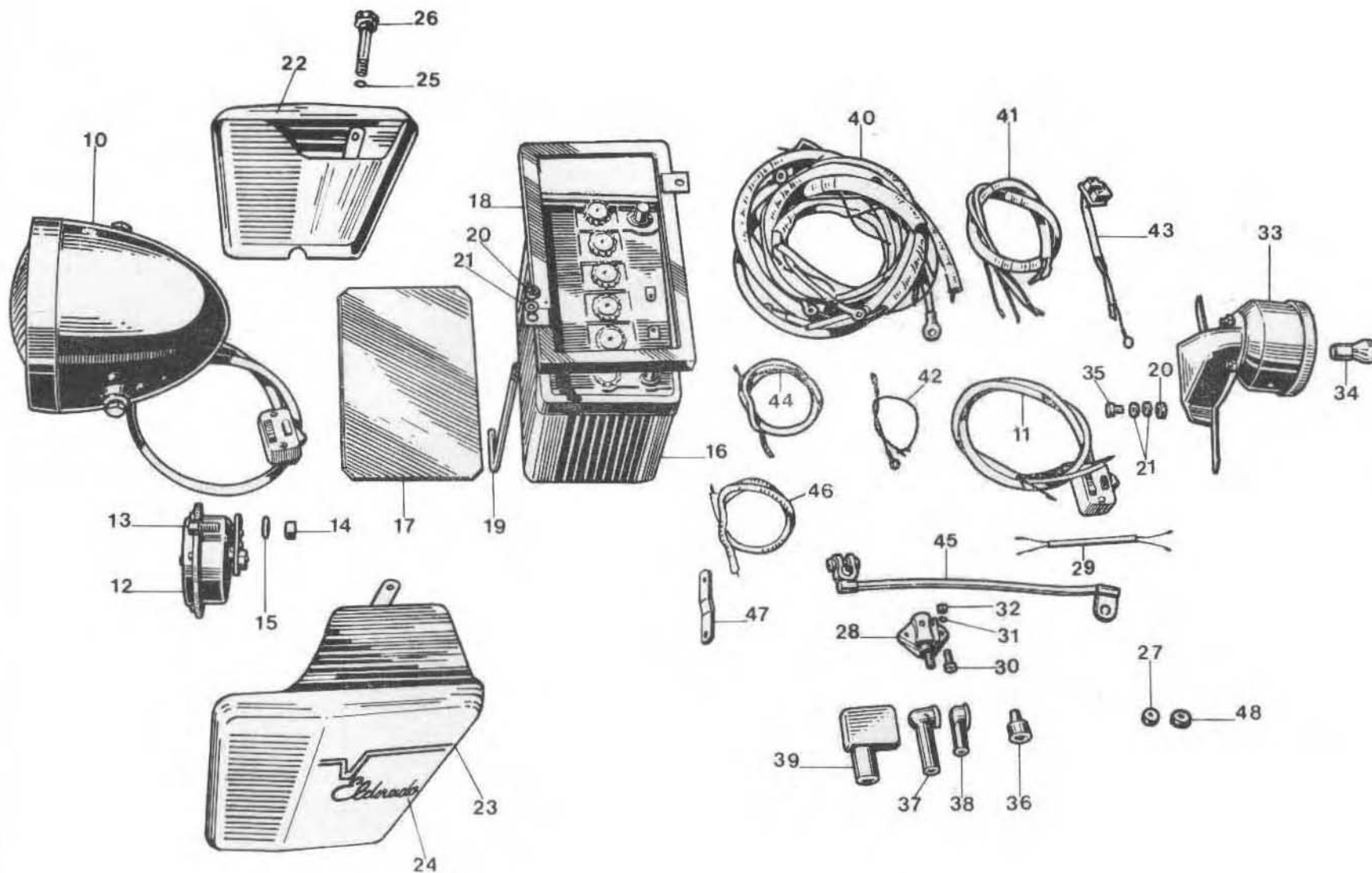




PLATE 19 MODEL: V 850 Eldorado

GROUP: Saddle bags

| Fig. N. | Order N.    | DESCRIPTION  | Q.ty | Notes |
|---------|-------------|--|------|-------|
| 10      | 13 48 00 41 | Saddlebags, complete set                                   | 1    |       |
| 11      | 13 48 25 01 | Saddlebag, r/h   | 1    |       |
| 12      | 13 48 57 01 | Saddlebag, l/h   | 1    |       |
| 13      | 13 48 50 01 | Support, saddlebag, r/h                                    | 1    |       |
| 14      | 13 48 65 01 | Support, saddlebag, l/h                                    | 1    |       |
| 15      | 13 48 68 00 | Bracket, rear saddlebag connecting                         | 1    |       |
| 16      | 98 05 43 20 | Screw  | 2    |       |
| 17      | 95 00 02 06 | Washer, screw  | 2    |       |
| 18      | 95 02 11 06 | Toothed washer   | 2    |       |
| 19      | 92 60 22 06 | Nut  | 2    |       |
| 20      | 12 46 43 40 | Handgrip, machine raising                                  | 1    |       |
| 21      | 55 44 58 00 | Rubber   | 1    |       |
| 22      | 98 05 45 22 | Screw  | 2    |       |
| 23      | 13 48 85 00 | Decal, with « Moto Guzzi » eagle and stripe, saddlebag r/h | 1    |       |
|         | 13 48 86 00 | Decal, with « Moto Guzzi » eagle and stripe, saddlebag l/h | 1    |       |



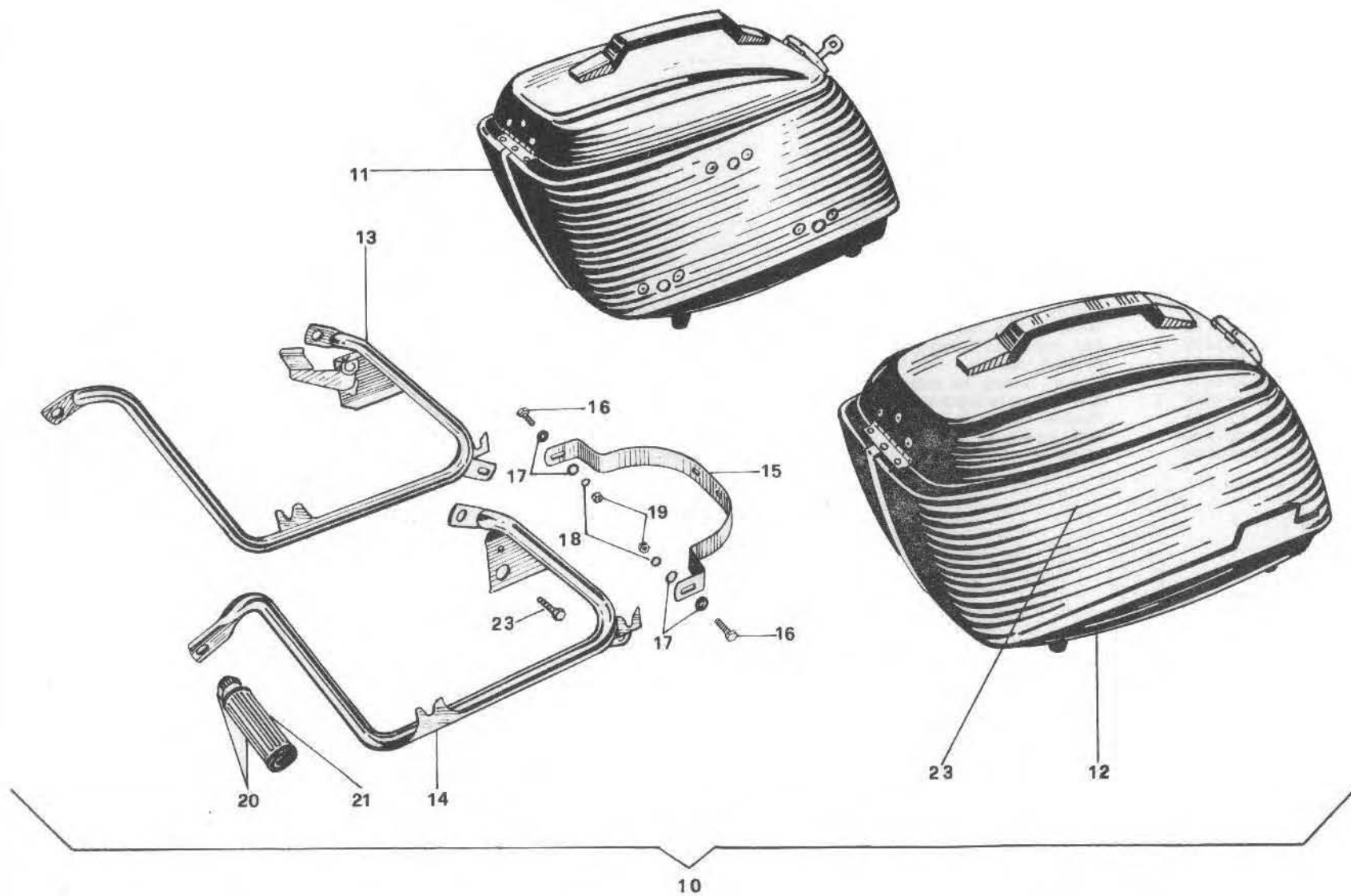




PLATE 20 MODEL: V 850 Eldorado  
Accessories

GROUP: Fairing - Windshield

| Fig. N. | Order N.    | DESCRIPTION                                    | Qty | Notes |
|---------|-------------|--|-----|-------|
| 10      | 12 57 53 21 | Fairing c/w windscreen and attachments         | 1   |       |
| 11      | 12 57 54 21 | Fairing only                                   | 1   |       |
| 12      | 12 57 72 50 | Windscreen only                                | 1   |       |
| 13      | 12 57 79 40 | Gasket, fairing to windscreen                  | 1   |       |
| 14      | 12 57 82 40 | Brace, stiffening                              | 1   |       |
| 15      | 12 57 84 50 | Clamp, fairing gasket                          | 1   |       |
| 16      | 98 26 05 25 | Screw, windscreen to fairing securing          | 5   |       |
| 17      | 95 00 02 05 | Washer, windscreen to fairing screw            | 5   |       |
| 18      | 92 60 22 05 | Nut, windscreen to fairing screw               | 5   |       |
| 19      | 12 57 55 40 | Clamp, fairing                                 | 2   |       |
| 20      | 98 26 06 25 | Screw, fairing to clamp                        | 4   |       |
| 21      | 93 11 00 60 | Spacer, fairing to clamp                       | 4   |       |
| 22      | 12 57 78 40 | Washer, outer, fairing to clamp screw          | 4   |       |
| 23      | 45 21 24 00 | Washer, rubber, fairing to camp screw          | 4   |       |
| 24      | 95 02 11 06 | Washer, flat, fairing to clamp screw           | 10  |       |
| 25      | 92 60 24 06 | Nut, fairing to clamp screw, and bracket screw | 8   |       |
| 26      | 12 57 86 21 | Bracket, fairing                               | 2   |       |
| 27      | 98 05 43 16 | Screw, fairing to bracket                      | 8   |       |
| 28      | 92 60 22 06 | Nut, fairing to bracket screw                  | 4   |       |
| 29      | 12 57 89 21 | Gasket, fairing to headlight                   | 1   |       |
| 30      | 98 05 43 16 | Bolt, headlight to bracket                     | 2   |       |
| 31      | 91 18 07 07 | Distance piece                                 | 2   |       |

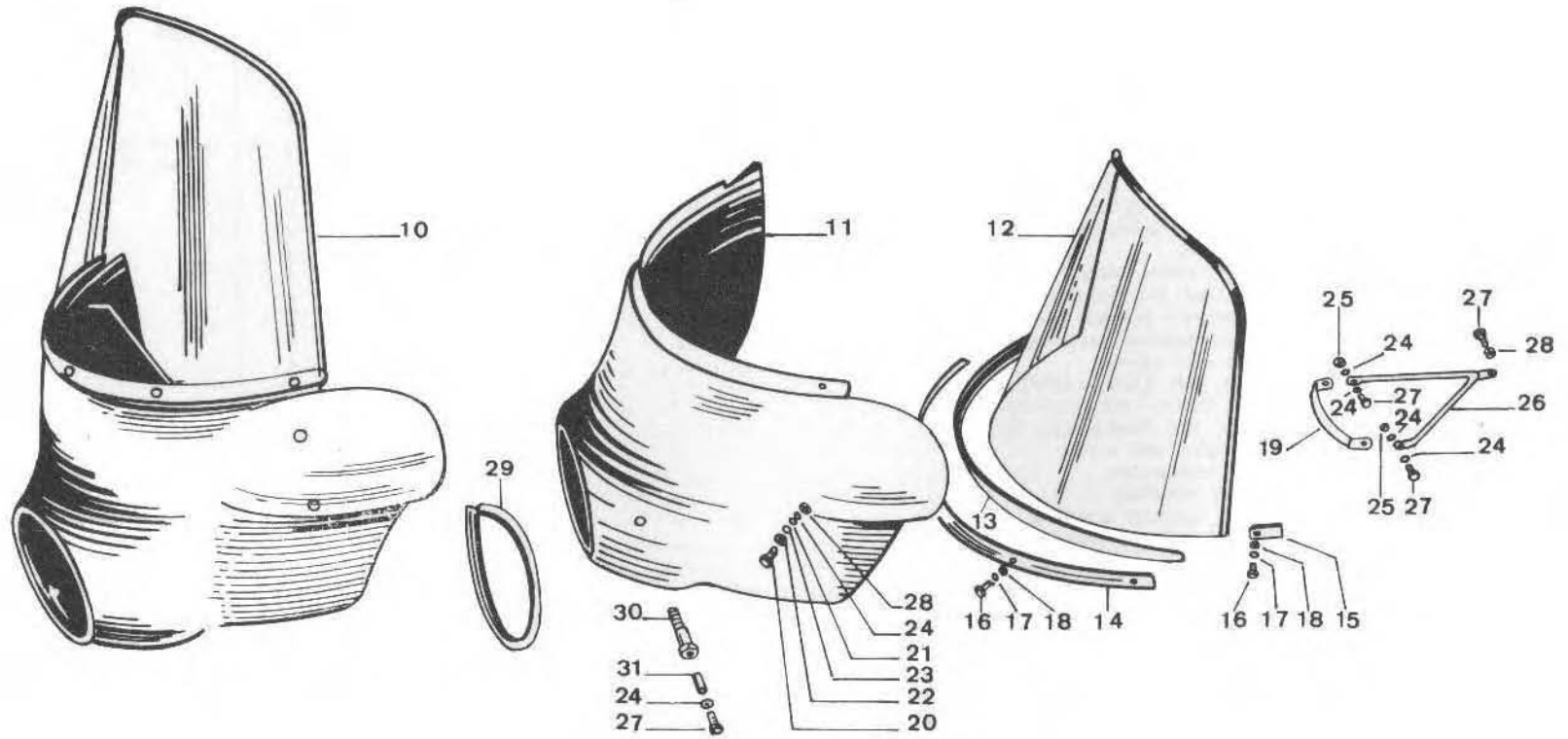




PLATE 21 MODEL: **V 850 Eldorado**  
**Accessories**

GROUP: **Turn light indicators**

| Fig. N.                                   | Order N.    | DESCRIPTION                                | Q.ty | Notes   |
|---|-------------|--|------|---|
| <b>FOR MOTORCYCLES WITHOUT SADDLEBAGS</b> |             |  |      |   |
| A   | 12 75 50 05 | Turn light indicator assembly              | 1    | Lucas   |
| 10  | 12 75 13 05 | Bracket, front, R/H indicator              | 1    |   |
| 11  | 12 75 14 05 | Bracket, front, L/H indicator              | 1    |   |
| 12  | 98 05 36 90 | Screw, front bracket securing              | 2    |   |
| 13  | 91 18 13 09 | Distance piece, L/H                        | 1    |   |
| 14  | 12 75 06 05 | Lamp, c/w cable and screws, front and rear | 4    | } Front lamp cable l. 17.7"<br>} Rear lamp cable l. 10.6" |
| 15  | 93 45 01 29 | Bulb, turn light indicators (12V — 21W)    | 4    |   |
| 16  | 12 75 07 05 | Casing, front lights cable                 | 2    |   |
| 17  | 12 75 08 05 | Casing, rear lights cable                  | 2    |   |
| 18  | 12 70 29 00 | Rubber cap                                 | 4    |   |
| 19  | 13 43 68 40 | Bracket, cross, rear                       | 1    |   |
| 20  | 98 05 43 12 | Screw, rear bracket securing               | 4    |   |
| 21  | 95 00 02 06 | Washer, rear bracket screw                 | 8    |   |
| 22  | 92 60 22 06 | Nut, rear bracket securing screw           | 4    |   |
| 23  | 12 75 03 00 | Switch c/w cables                          | 1    |   |
| 24  | 10 75 05 50 | Flasher unit (12V — 42W)                   | 1    |   |
| 25  | 98 05 43 16 | Screw, flasher unit securing               | 1    |   |
| 26  | 95 10 01 21 | Washer, flat, flasher unit screw           | 1    |   |
| 27  | 92 63 01 06 | Nut, flasher unit screw                    | 1    |   |
| 28  | 93 40 03 63 | Faston connection                          | 2    | for additional front lights                               |
| 29  | 55 74 96 00 | Bayonet coupling                           | 2    | For additional rear lights                                |
| 30  | 93 40 05 48 | Socket, bayonet coupling                   | 2    | On cable ends   |
| 31  | 13 76 82 00 | Cap for bayonet coupling                   | 2    |   |
| <b>FOR MOTORCYCLES WITH SADDLEBAGS</b>    |             |  |      |   |
| B   | 12 75 51 05 | Complete assembly of turn light indicators | 1    | Lucas   |
| 32  | 12 75 17 05 | Bracket, rear lamps holder                 | 2    |   |
| 33  | 98 05 44 16 | Screw, rear lamps holder securing          | 2    |   |
| 34  | 95 00 02 08 | Washer, rear lamps securing screws         | 2    |   |
| 35  | 95 02 11 08 | Washer, toothed, bracket securing screws   | 2    |   |
| 36  | 92 60 22 08 | Nut, bracket securing screws               | 2    |   |

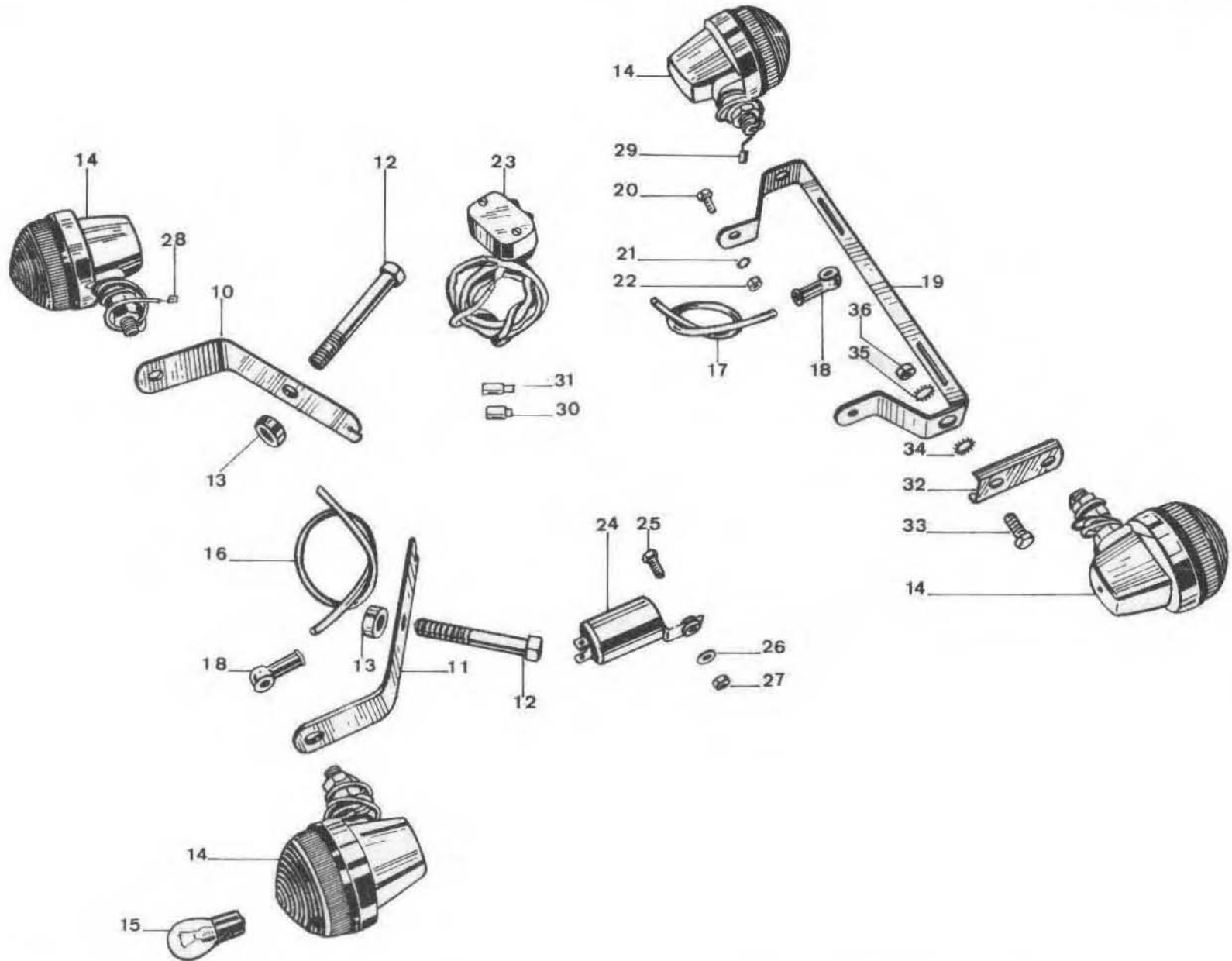
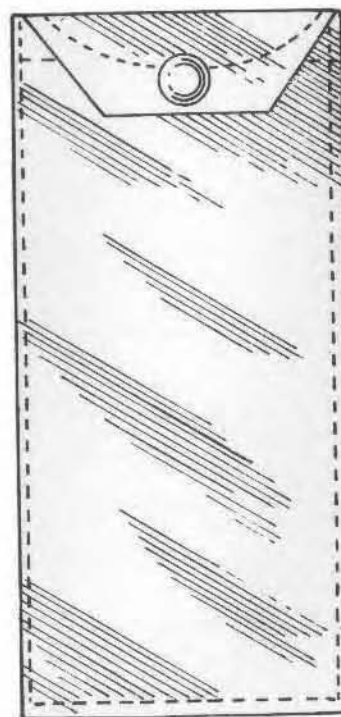
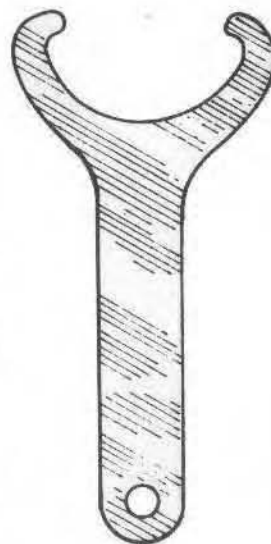
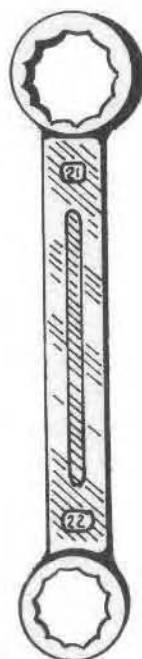
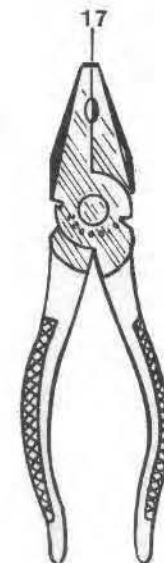
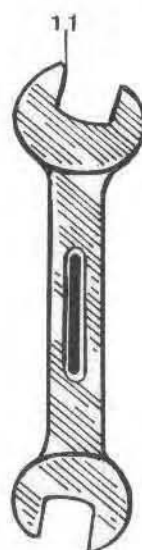




PLATE 22 MODEL: V 850 Eldorado

GROUP: Tool kit and gasket sets

| Fig. N. | Order N.    | DESCRIPTION                          | Qty | Notes |
|---------|-------------|--------------------------------------|-----|-------|
| 10      | 55 90 19 00 | Wrench, box 19/21/22 mm              | 1   |       |
| 11      | 12 90 10 00 | Wrench, open ended 17/19 mm          | 1   |       |
| 12      | 10 90 06 00 | Wrench, open ended 13/14 mm          | 1   |       |
| 13      | 12 90 08 00 | Wrench, open ended 10/11 mm          | 1   |       |
| 14      | 12 90 03 00 | Wrench, open ended 7/8 mm            | 1   |       |
| 15      | 55 90 04 00 | Wrench, open ended, tappet adjusting | 1   |       |
| 16      | 55 90 24 00 | Allen key, 5 hex                     | 1   |       |
| 17      | 25 90 55 00 | Pliers, universal                    | 1   |       |
| 18      | 55 90 50 00 | Screwdriver                          | 1   |       |
| 19      | 12 90 11 01 | Wrench, ring, double 22/27 mm        | 1   |       |
| 20      | 12 90 90 90 | Feeler gauge                         | 1   |       |
| 21      | 09 90 51 00 | Screwdriver                          | 1   |       |
| 22      | 12 91 27 00 | Wrench, damper adjusting tool        | 1   |       |
| 23      | 12 91 45 00 | Tool bag                             | 1   |       |
| 24      |             | Instruction booklet                  | 1   |       |
| A       | 13 99 90 60 | Gasket set                           | 1   |       |
|         |             | 12 02 37 00 13 02 08 00 12 01 18 00  | 1   |       |
|         |             | 12 00 12 00 12 00 36 00 12 15 91 00  | 1   |       |
|         |             | 12 15 32 00 12 00 76 00 14 20 11 10  | 1   |       |
|         |             | 12 20 15 00 12 20 77 00 12 35 26 00  | 1   |       |
|         |             | 12 35 29 00 12 35 07 00 12 71 59 00  | 1   |       |
| B       | 12 99 95 00 | Seal set                             | 1   |       |
|         |             | 90 40 38 50 90 40 53 68 90 40 25 35  | 1   |       |
|         |             | 90 40 70 85 90 40 35 50 90 40 30 40  | 1   |       |
|         |             | 90 40 38 50 90 40 32 49              | 2   |       |



19

20

21

22

23

24





**PARTS FOR 850 cc CALIFORNIA POLICE ONLY**

**(CHANGES REFERRED TO THE « ELDORADO » PLATES IN THIS CATALOGUE)**



V 850 cc. CALIFORNIA - ADDITIONS AND CHANGES TO PLATES 1-5-6-7-9-10

| REFERENCE TO ELDORADO PARTS CATALOGNE - I edition |         |          | NEW PLATES FOR CALIFORNIA POLICE |          |  |                           |   |
|---|---------|----------|----------------------------------|----------|--|---------------------------|---|
| Plate N.  | Fig. N. | Order N. | Fig. N.                          | Order N. | DESCRIPTION                                    | Q.ty                      |   |
| 1   |         |          | 10                               | 13029840 | Leg protection, on rocker heads . . . . .      | 2                         |   |
| 5   | 10      | 13100221 | 11                               | 13100240 | Tank, fuel . . . . .                           | 1                         |   |
| 5   | 12      | 12103900 | 12                               | 54103901 | Filler cap, fuel tank . . . . .                | 1                         |   |
| 5   | 31      | 98054522 | 13                               | 98054530 | Screw, muffler securing . . . . .              | 2                         |   |
| 5   | 34      | 12123020 | 14                               | 13123040 | Muffler, R/H . . . . .                         | 1                         |   |
| 5   | 35      | 12122920 |                                  | 13122940 | Muffler, L/H . . . . .                         | 1                         |   |
| 6   | 12      | 12607500 | 15                               | 13607540 | Cable, throttle . . . . .                      | 1                         |   |
| 6   | 22      | 12608300 | 16                               | 13608340 | Cable, easy start . . . . .                    | 1                         |   |
| 6   | 13      | 12607900 | 17                               | 13607940 | Adaptor, carburetor cables . . . . .           | 1                         |   |
| 6   | 14      | 12807100 | 18                               | 12807100 | Cover, adaptor front end . . . . .             | 1                         |   |
| 6   | 15      | 12807200 | 19                               | 12807200 | Cover, adaptor, rear end . . . . .             | 1                         |   |
| 6   | 20      | 95790233 | 20                               | 95790233 | Screw, cable adjusting . . . . .               | 1                         |   |
| 6   | 21      | 92700071 | 21                               | 92700071 | Locknut, cable adjusting screw . . . . .       | 1                         |   |
| 7   | 27      | 13093063 | 22                               | 13093046 | Cable, clutch . . . . .                        | 1                         |   |
| 7   |         |          | 23                               | 14741300 | Cap, rubber, clutch control switch . . . . .   | 1                         |   |
| 9   | 10      | 12250906 | 24                               | 13250941 | Lever, gearshift . . . . .                     | 1                         |   |
| 9   |         |          | 25                               | 91111520 | Bushing, gearshift lever . . . . .             | 1                         |   |
| 9   |         |          | 26                               | 94020060 | Greaser, gearshift lever . . . . .             | 1                         |   |
| 9   |         |          | 27                               | 95100142 | Washer, lever fixing nut . . . . .             | 1                         |   |
| 9   |         |          | 28                               | 95129250 | Washer, shakeproof, lever fixing nut . . . . . | 1                         |   |
| 9   |         |          | 29                               | 92630106 | Nut, gearshift lever . . . . .                 | 1                         |   |
| 9   | 13      | 13251165 | 30                               | 13251240 | Shaft, c/w starter pin lever . . . . .         | 1                         |   |
| 9   | 20      | 13257860 | 31                               | 13257845 | Rod, c/w fork and nut . . . . .                | 1                         |   |
| 9   | 19      | 13257960 | 32                               | 13257945 | Rod, bare . . . . .                            | 1                         |   |
| 9   | 22      | 13258260 | 33                               | 13258245 | Lever, quadrant control . . . . .              | 1                         |   |
| 9   |         |          |                                  | 34       | 13258240                                       | Lever, on shaft . . . . . | 1 |
| 9   |         |          | 35                               | 98106021 | Screw, lever fixing . . . . .                  | 2                         |   |
| 9   |         |          | 36                               | 13257640 | Tie rod, complete . . . . .                    | 1                         |   |
| 9   |         |          | 37                               | 13257740 | Tie rod, bare . . . . .                        | 1                         |   |
| 9   |         |          | 38                               | 95740171 | Fork, tie rod . . . . .                        | 3                         |   |
| 9   |         |          | 39                               | 92700073 | Nut, adjusting on tie rod . . . . .            | 1                         |   |
| 9   |         |          | 40                               | 95780265 | Pin, fork . . . . .                            | 3                         |   |
| 9   |         |          | 41                               | 95129110 | Washer, shakeproof, for pins . . . . .         | 3                         |   |
| 9   |         |          | 42                               | 95500222 | Split pin, fork pins . . . . .                 | 3                         |   |
| 9   |         |          | 43                               | 95100173 | Washer, tie rod . . . . .                      | 1                         |   |
| 9   |         |          | 44                               | 95500325 | Split pin, tie rod . . . . .                   | 1                         |   |

TAVOLA 1



TAVOLA 5

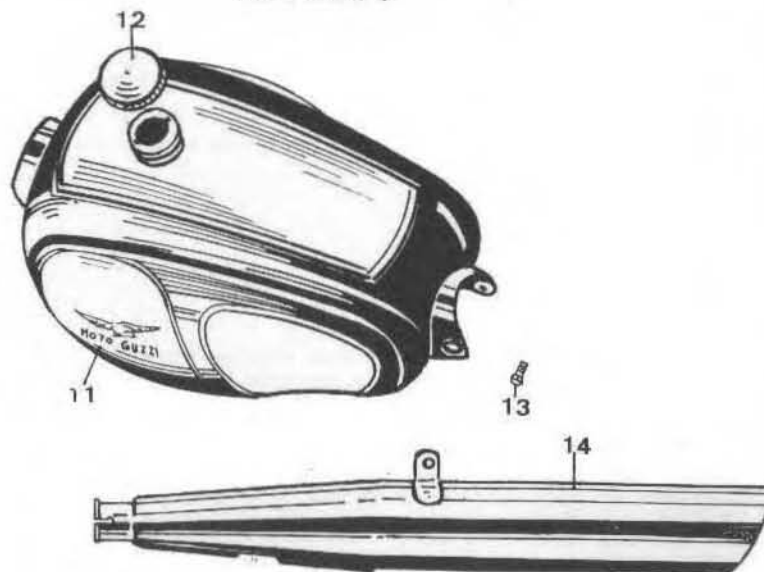


TAVOLA 6

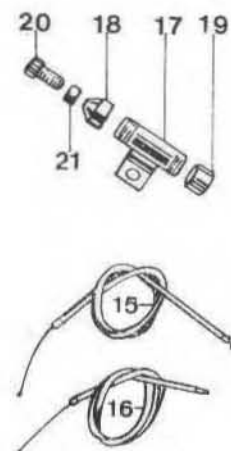


TAVOLA 7

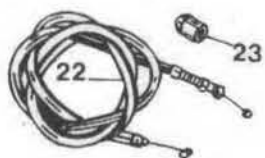
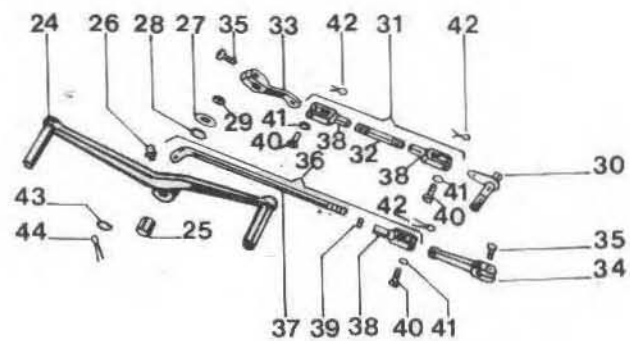


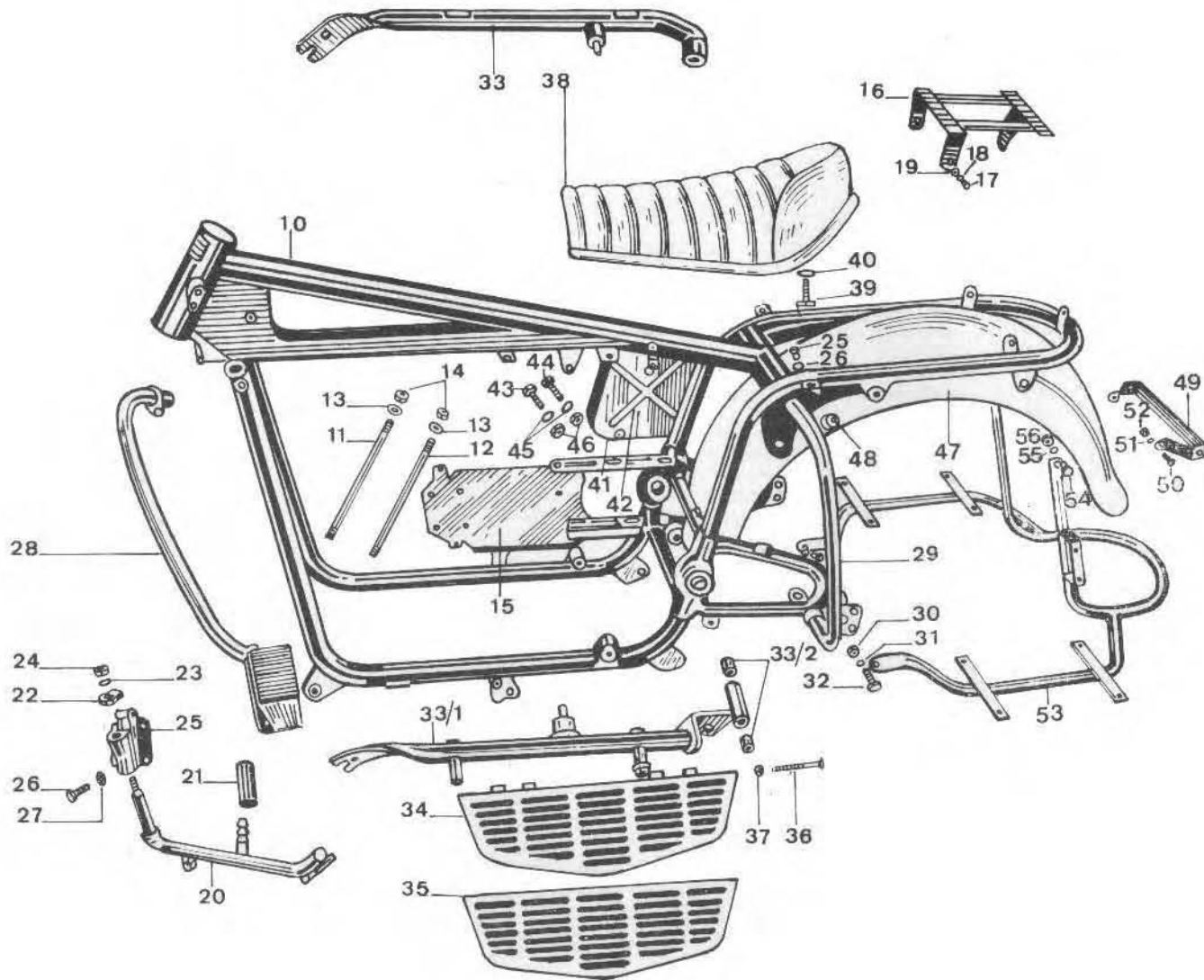
TAVOLA 9





V 850 cc. CALIFORNIA - ADDITIONS AND CHANGES TO PLATE 11

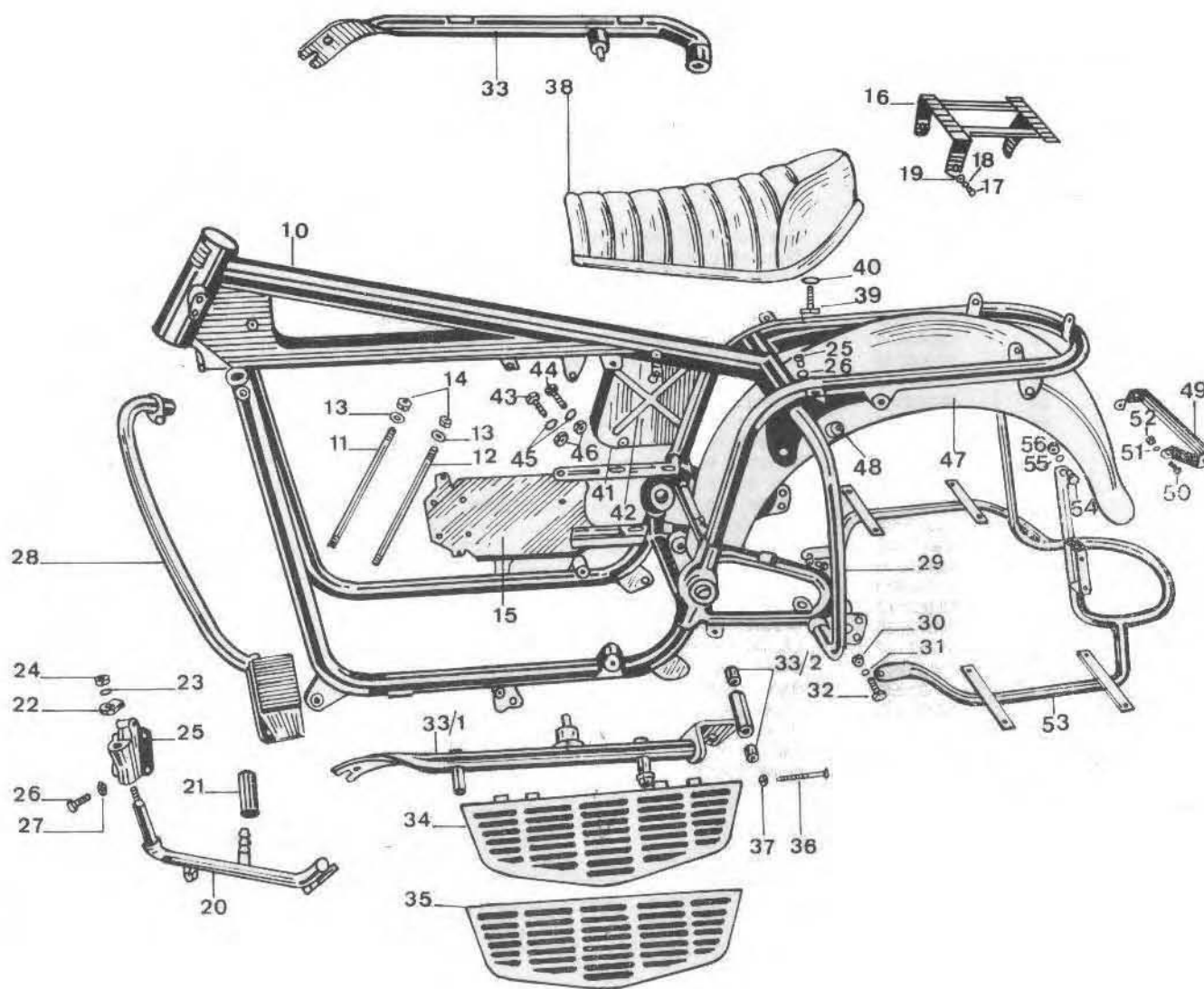
| REFERENCE TO ELDORADO PARTS CATALOGNE - I edition |         |          | NEW PLATES FOR CALIFORNIA POLICE |                       |  |      |  |
|---|---------|----------|----------------------------------|-----------------------|--|------|--|
| Plate N.  | Fig. N. | Order N. | Fig. N.                          | Order N.              | DESCRIPTION                            | Q.ty |  |
| 11  | 10      | 12400125 | 10                               | 13400140              | Frame                                  | 1    |  |
| 11  | 15      | 13429600 | { 11                             | 13429540              | Bolt, engine to frame, front           | 1    |  |
|   |         |          | 12                               | 13429640              | Bolt, engine to frame, rear            | 1    |  |
| 11  | 12      | 95100415 | 13                               | 95100415              | Washer, engine to frame securing bolts | 4    |  |
| 11  | 11      | 92700128 | 14                               | 92700128              | Nut, engine to frame securing bolts    | 4    |  |
| 11  | 21      | 12418200 | 15                               | 13418240              | Bracket, battery                       | 1    |  |
| 11  |         | 13418260 | 16                               | 13469441              | Radio carrier                          | 1    |  |
| 11  |         |          | 17                               | 98054314              | Screw, radio carrier                   | 3    |  |
| 11  |         |          | 18                               | 95021106              | Washer, radio carrier screws           | 3    |  |
| 11  |         |          | 19                               | 92602206              | Nut, radio carrier screws              | 3    |  |
| 11  | 32      | 12432000 | 20                               | 13432040              | Side stand                             | 1    |  |
| 11  |         |          | 21                               | 13432640              | Pedal, side stand                      | 1    |  |
| 11  |         |          | 22                               | 13432741              | Lug, side stand                        | 1    |  |
| 11  |         |          | 23                               | 95100311              | Washer, side stand fixing nut          | 1    |  |
| 11  |         |          | 24                               | 92630110              | Nut, side stand to bracket             | 1    |  |
| 11  |         |          | 25                               | 13433440              | Bracket, side stand                    | 1    |  |
| 11  |         |          | 26                               | 98054414              | Screw, bracket                         | 4    |  |
| 11  |         |          | 27                               | 95021108              | Washer, bracket screws                 | 4    |  |
| 11  | 52      | 12450400 | 28                               | 13450440              | Safety bar, front, L/H                 | 1    |  |
| 11  |         |          | { 29                             | 13458240              | Safety bar, rear, R/H                  | 1    |  |
|   |         |          | 13458840                         | Safety bar, rear, L/H | 1                                      |      |  |
| 11  |         |          | 30                               | 92602210              | Nut, top, rear bars securing           | 4    |  |
| 11  |         |          | 31                               | 95021110              | Washer, safety bar top securing nut    | 4    |  |
| 11  |         |          | 32                               | 98054530              | Screw, bottom bars securing            | 2    |  |
| 11  |         |          | 33                               | 13455140              | Bracket, footboard, R/H                | 1    |  |
| 11  |         |          | 33/1                             | 13455240              | Bracket, footboard, L/H                | 1    |  |
| 11  |         |          | 33/2                             | 91111416              | Bushing, L/H footboard bracket         | 2    |  |
| 11  |         |          | 34                               | 13443440              | Footboard, with mat                    | 2    |  |
| 11  |         |          | 35                               | 13447040              | Mat, footboard                         | 2    |  |
| 11  |         |          | 36                               | 98107035              | Screw, footboard                       | 4    |  |
| 11  |         |          | 37                               | 92700073              | Nut, footboard securing screw          | 8    |  |





V 850 cc. CALIFORNIA - ADDITIONS AND CHANGES TO PLATES 11-19

| REFERENCE TO ELDORADO PARTS CATALOGNE - I edition |         |            | NEW PLATES FOR CALIFORNIA POLICE |          |   |      |  |
|---|---------|------------|----------------------------------|----------|---|------|--|
| Plate N.  | Fig. N. | Order N.   | Fig. N.                          | Order N. | DESCRIPTION                                     | Q.ty |  |
| 11  | 60      | 12460502   | 38                               | 13460542 | Seat  | 1    |  |
| 11  |         |            | 39                               | 98054416 | Screw, rear seat securing screw                 | 2    |  |
| 11  |         |            | 40                               | 95021108 | Washer, spring toothed, for seat securing screw | 2    |  |
| 11  | 55      | 13476025   | 41                               | 13476025 | Tool box, R/H                                   | 1    |  |
| 11  |         |            | 42                               | 13917525 | Decal, tool box /                               | 1    |  |
| 11  | 58      | 98106017   | 43                               | 98106017 | Screw, long, tool box securing                  | 1    |  |
| 11  | 59      | 98024312   | 44                               | 98054312 | Screw, short, tool box securing                 | 2    |  |
| 11  | 46      | 95100130   | 45                               | 95100130 | Washer, tool box securing screws                | 6    |  |
| 11  | 47      | 92602206   | 46                               | 92602206 | Nut, tool box securing screws                   | 3    |  |
| 11  | 70      | 13437020   | 47                               | 13437040 | Fender, rear                                    | 1    |  |
| 11  |         |            | 48                               | 91551081 | Grommet, on rear fender                         | 2    |  |
| 11  |         |            | 49                               | 13436840 | Bracket, rear turn lights                       | 1    |  |
| 11  |         |            | 50                               | 98054312 | Screw, turn lights bracket                      | 4    |  |
| 11  |         |            | 51                               | 95000206 | Washer, turn light bracket screw                | 8    |  |
| 11  |         |            | 52                               | 92602206 | Nut, turn light bracket screw                   | 4    |  |
| 19  | { 13    | 13485000 } | 53                               | 13485040 | Attachment, saddle bags                         | 1    |  |
|   | { 14    | 13486500 } | 54                               | 98054522 | Screw, top saddlebag attachment                 | 2    |  |
| 19  |         |            | 55                               | 95100311 | Washer, saddlebag attachment screw              | 2    |  |
| 19  |         |            | 56                               | 92602210 | Nut, saddle bag attachment top screw            | 2    |  |





V 850 cc. CALIFORNIA - ADDITIONS AND CHANGES TO PLATES 12-13

| REFERENCE TO ELDORADO PARTS CATALOGNE - I edition |         |          | NEW PLATES FOR CALIFORNIA POLICE |          |   |      |  |
|---|---------|----------|----------------------------------|----------|---|------|--|
| Plate N.  | Fig. N. | Order N. | Fig. N.                          | Order N. | DESCRIPTION   | Q.ty |  |
| 12  |         |          | 10                               | 13751340 | Bracket, R/H side lamp and turn light unit . . . . .              | 1    |  |
| 12  |         |          | 11                               | 13751440 | Bracket, L/H, side lamp and turn light unit . . . . .             | 1    |  |
| 12  |         |          | 12                               | 98054420 | Screw, bracket securing . . . . .                                 | 2    |  |
| 12  |         |          | 13                               | 98054440 | Screw, bracket securing to headlight . . . . .                    | 2    |  |
| 12  |         |          | 14                               | 95000208 | Washer, bracket securing screws to headlight . . . . .            | 10   |  |
| 12  |         |          | 15                               | 92602208 | Nut, bracket securing screws to headlight . . . . .               | 6    |  |
| 12  |         |          | 16                               | 13506840 | Bracket, R/H, windshield . . . . .                                | 1    |  |
| 12  |         |          | 17                               | 13506940 | Bracket, L/H, windshield . . . . .                                | 1    |  |
| 12  | 25      | 98053675 | 18                               | 98053690 | Screw, turn light bracket to clamp . . . . .                      | 2    |  |
| 12  |         |          | 19                               | 91181309 | Spacer, clamp to bottom yoke . . . . .                            | 2    |  |
| 12  |         |          | 20                               | 95101430 | Washer, clamp securing screw to bottom yoke . . . . .             | 2    |  |
| 12  |         |          | 21                               | 13530140 | Steering damper unit . . . . .                                    | 1    |  |
| 12  |         |          | 22                               | 13531640 | Lug, bottom yoke to damper . . . . .                              | 1    |  |
| 12  |         |          | 23                               | 98054425 | Screw, lug securing to bottom yoke . . . . .                      | 1    |  |
| 12  |         |          | 24                               | 95000208 | Washer, flat, lug screw . . . . .                                 | 1    |  |
| 12  |         |          | 25                               | 95021108 | Washer, toothed, lug screw . . . . .                              | 1    |  |
| 12  |         |          | 26                               | 13530240 | Steering damper . . . . .   | 1    |  |
| 12  |         |          | 27                               | 14530800 | Spacer, damper . . . . .  | 2    |  |
| 12  |         |          | 28                               | 95100142 | Washer, steering damper . . . . .                                 | 2    |  |
| 12  |         |          | 29                               | 98052335 | Screw, damper securing . . . . .                                  | 2    |  |
| 12  |         |          | 30                               | 95021106 | Washer, steering damper and band screw . . . . .                  | 4    |  |
| 12  |         |          | 31                               | 13531440 | Band, inner damper securing . . . . .                             | 1    |  |
| 12  |         |          | 32                               | 13531040 | Band, outer, damper securing . . . . .                            | 1    |  |
| 12  |         |          | 33                               | 98054316 | Screw, short, front band securing . . . . .                       | 1    |  |
| 12  |         |          | 34                               | 98054320 | Screw, long, rear band securing . . . . .                         | 1    |  |
| 12  |         |          | 35                               | 92602206 | Nut, rear damper fixing screw, rear, and bands to frame . . . . . | 3    |  |
| 12  | 50      | 13494320 | 36                               | 12434325 | Front fender . . . . .  | 1    |  |



TAVOLA 12

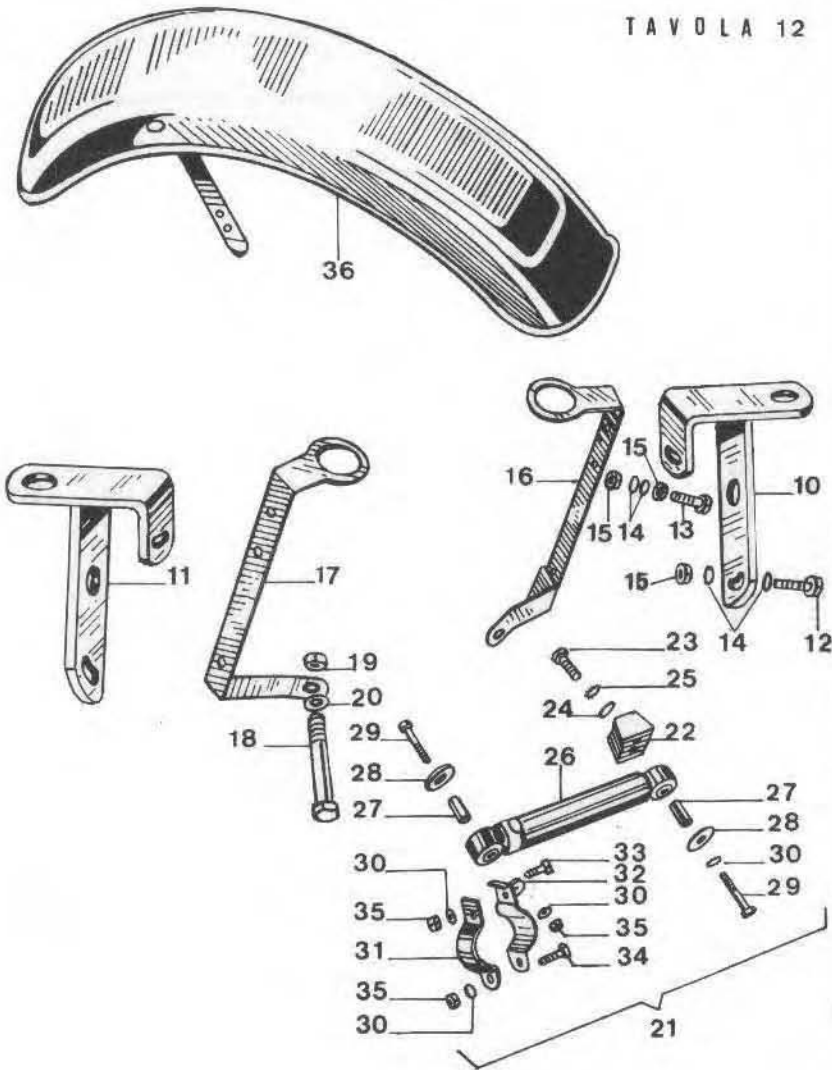
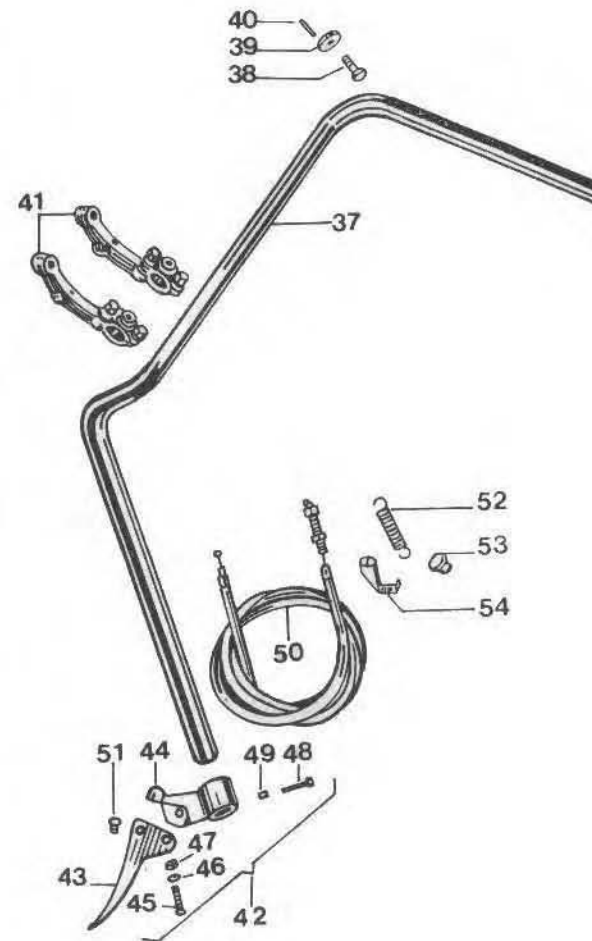


TAVOLA 13





V 850 cc. CALIFORNIA - ADDITIONS AND CHANGES TO PLATES 14-15-16-17

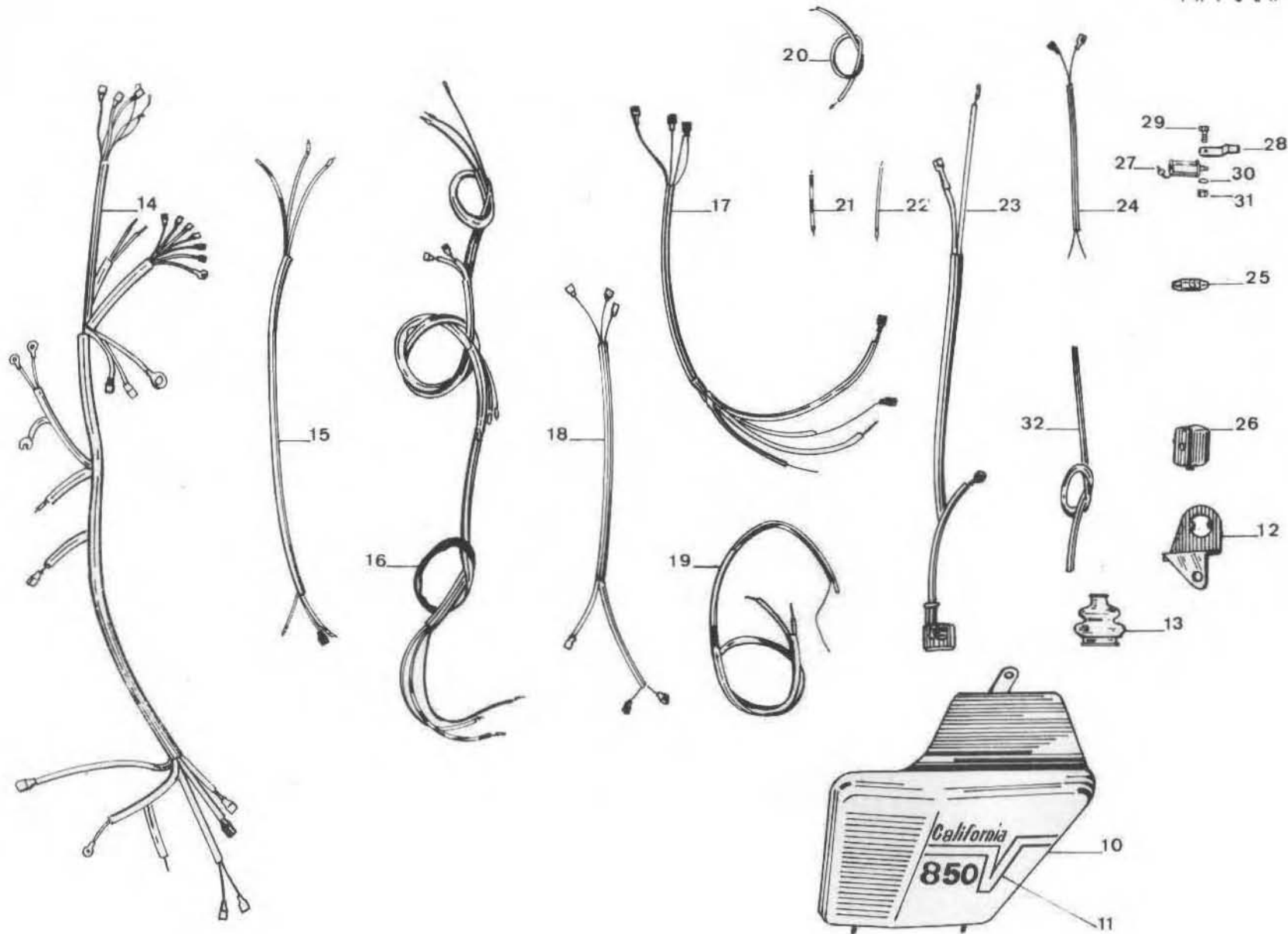
| REFERENCE TO ELDORADO PARTS CATALOGNE - I edition |         |          | NEW PLATES FOR CALIFORNIA POLICE |          |   |      |  |
|---|---------|----------|----------------------------------|----------|---|------|--|
| Plate N.  | Fig. N. | Order N. | Fig. N.                          | Order N. | DESCRIPTION   | Q.ty |  |
| 14  | 35      | 13761521 | 10                               | 13761642 | Speedometer   | 1    |  |
| 14  | 36      | 13501500 | 11                               | 13501541 | Instrument panel  | 1    |  |
| 14  |         |          | 12                               | 13764941 | Bracket, instrument panel                                       | 2    |  |
| 14  | 22      | 10744900 | 13                               | 10744900 | Warning light, amber, neutral                                   | 1    |  |
| 14  |         |          | 14                               | 10754900 | Glass, orange, neutral indicator                                | 1    |  |
| 14  | 23      | 10744902 | 15                               | 10744902 | Warning light, red oil pressure and generator charge            | 2    |  |
| 14  |         |          | 16                               | 13744943 | Warning light, red, front headlamps and high beam               | 2    |  |
| 14  |         |          | 17                               | 10754902 | Glass, red, front red lamps indicators, high beam, oil pressure | 4    |  |
| 14  |         |          | 18                               | 10744901 | Warning light, green, right and left turn lights                | 2    |  |
| 14  |         |          | 19                               | 10754901 | Glass, right and turn lights indicator                          | 2    |  |
| 14  |         |          | 20                               | 12745760 | Cutout, courtesy light and coil disconnection                   | 2    |  |
| 14  |         |          | 21                               | 13745740 | Switch, rear flash lights, parking                              | 2    |  |
| 14  | 39      | 90706076 | 22                               | 90706076 | Washer, indicators (OR 2031)                                    | 7    |  |
| 14  |         |          | 23                               | 10744910 | Bulb, indicators (12 V - 3 W)                                   | 7    |  |
| 14  |         |          | 24                               | 13502340 | Bracket, microphone   | 1    |  |
| 14  |         |          | 25                               | 98052430 | Screw, microphone bracket                                       | 2    |  |
| 14  |         |          | 26                               | 95000208 | Washer, microphone bracket screw                                | 2    |  |
| 15  | 27/1    | 13625421 | 27                               | 13625445 | Cable, front brake  | 1    |  |
| 16  | 39      | 12675405 | 28                               | 13675440 | Spindle, rear brake pedal                                       | 1    |  |
| 16  |         |          | 29                               | 12258201 | Lever, brake spindle  | 1    |  |
| 16  |         |          | 30                               | 98106021 | Screw, rear brake pedal spindle                                 | 1    |  |
| 16  | 40      | 12677005 | 31                               | 13677041 | Pedal, rear brake   | 1    |  |
| 16  |         |          | 32                               | 43262180 | Rubber, rear brake pedal  | 1    |  |
| 16  |         |          | 33                               | 94020060 | Greaser, rear brake pedal                                       | 1    |  |
| 16  |         |          | 34                               | 95129250 | Washer, shakeproof, brake pedal                                 | 1    |  |
| 16  |         |          | 35                               | 95100142 | Washer, brake pedal nut   | 1    |  |
| 16  |         |          | 36                               | 92630106 | Nut, rear brake pedal   | 1    |  |
| 16  |         |          | 37                               | 13675040 | Rod, rear brake, complete                                       | 1    |  |
| 16  |         |          | 38                               | 13675140 | Rod, rear brake, bare   | 1    |  |
| 16  |         |          | 39                               | 95740171 | Fork, rear brake rod  | 2    |  |
| 16  |         |          | 40                               | 92700073 | Nut, rear brake rod   | 2    |  |
| 16  |         |          | 41                               | 95780265 | Bolt, tie rod to lever  | 2    |  |
| 16  |         |          | 42                               | 95129110 | Washer, tie rod bolt  | 2    |  |
| 16  |         |          | 43                               | 95500222 | Split pin, tie rod bolt   | 2    |  |
| 17  |         |          | 44                               | 13733145 | Grounding cable, starter solenoid                               | 1    |  |





V 850 cc. CALIFORNIA - ADDITIONS AND CHANGES TO PLATE 18

| REFERENCE TO ELDORADO PARTS CATALOGNE - I edition |         |          | NEW PLATES FOR CALIFORNIA POLICE |          |  |                       |
|---|---------|----------|----------------------------------|----------|--|-----------------------|
| Plate N.  | Fig. N. | Order N. | Fig. N.                          | Order N. | DESCRIPTION  | Q.ty                  |
| 18  | 22/1    | 13705226 | 10                               | 13705225 | Cover, battery, R/H                                  | 1                     |
| 18  | 24/1    | 13705426 |                                  |          | Cover, battery, L/H                                  | 1                     |
| 18  | 51      | 13917827 | 11                               | 13917825 | Decal, battery cover                                 | 2                     |
| 18  |         | 13917825 | 12                               | 13736440 | Plate, switch holder                                 | 1                     |
| 18  |         |          | 13                               | 13735840 | Cap, protection                                      | 1                     |
| 18  | 40      | 12477107 | 14                               | 13747144 | Cable harness, main                                  | 1                     |
| 18  | 41      | 12747200 | 15                               | 13747241 | Cable, instrument panel to headlight                 | 1                     |
| 18  |         |          |                                  | 16       | 13747641   | Cable, switch to fuse |
| 18  |         |          | 17                               | 13747841 | Cable, terminal board to tail lamp                   | 1                     |
| 18  |         |          | 18                               | 13748042 | Cable, front terminal to indicator light             | 1                     |
| 18  |         |          | 19                               | 13748140 | Cable, from courtesy light cutout                    | 1                     |
| 18  |         |          | 20                               | 13748740 | Cable, grouding, rear blue light                     | 2                     |
| 18  |         |          | 21                               | 13748840 | Cable, separate fuse to headlight terminal           | 1                     |
| 18  |         |          | 22                               | 13749340 | Cable, rear blue light to rear terminal              | 2                     |
| 18  |         |          | 23                               | 13749441 | Cable, battery to regulator                          | 1                     |
| 18  |         |          | 24                               | 13748920 | Cable, two-pole, front stop cutout                   | 1                     |
| 18  |         |          | 25                               | 13742540 | Fuse box   | 1                     |
| 18  |         |          | 26                               | 13742242 | Switch, turn light, red front light and radio ground | 1                     |
| 18  |         |          | 27                               | 13741540 | Flasher unit, 12 V 60 W                              | 1                     |
| 18  |         |          | 28                               | 13741640 | Plate, flasher unit fixing                           | 1                     |
| 18  |         |          | 29                               | 98054316 | Screw, flasher unit securing                         | 1                     |
| 18  |         |          | 30                               | 95000206 | Washer, flasher unit securing screw                  | 1                     |
| 18  |         |          | 31                               | 92602206 | Nut, flasher unit securing screw                     | 1                     |
| 18  |         |          | 32                               | 13746940 | Casing, for cables from the ignition switch          | 1                     |





## **ADDITIONAL PLATES**

**ALL ITEMS LISTED IN PLATES 50-51-52-53-54, ARE NOT MOTO GUZZI PRODUCTION.  
ACCORDINGLY, THEIR SUPPLY IS SUBJECT TO THEIR AVAILABILITY AT THE  
MAKERS AND THEIR CURRENT PRICES**



PLATE 50 MODEL: V 850 Eldorado

GROUP: Head and tail light

| Fig. N. | Order N. Moto Guzzi | Order N. CEV | DESCRIPTION                   | Q.ty | Notes |
|---------|---------------------|--------------|-------------------------------|------|-------|
| 10      | 12 74 05 21         | 4506         | Headlight complete            | 1    |       |
| 11      | 12 74 03 21         | 02768        | Headlight rim                 | 1    |       |
| 12      | 55 74 03 28         | 3195         | Rim fixing screw              | 1    |       |
| 13      | 12 74 04 20         | 10649        | Gasket                        | 1    |       |
| 14      | 12 74 03 20         | 02765        | Sealed beam unit              | 1    |       |
| 15      | 12 76 86 20         | 02787        | Plug adaptor                  | 1    |       |
| 16      | 12 74 30 22         | 02931        | Bottom terminal without fuses | 1    |       |
| 17      | 12 74 30 23         | 02929        | Top terminal without fuses    | 1    |       |
| 18      | 12 74 25 00         | 10570/25     | Fuses 25 Ampère               | 9    |       |
| 19      | 12 74 04 22         | 02921        | Headlight body                | 1    |       |
| 20      | 12 74 04 07         | 10548        | Spheric washer                | 2    |       |
| 21      | 12 74 04 08         | 10656        | External toothed washer       | 2    |       |
| 22      | 12 74 04 09         | 3395         | Headlight fixing bolt         | 2    |       |
| 23      | 12 74 09 20         | 9313,4       | Tail lamp without bulb        | 1    |       |
| 24      | 12 73 99 20         | 3397         | Lens retaining screw          | 2    |       |
| 25      | 12 74 17 20         | 7266         | Reflex reflector lens         | 1    |       |
| 26      | 13 74 17 21         | 4292         | Gasket                        | 1    |       |
| 27      | 12 74 17 22         | 02792.16     | Housing with cables           | 1    |       |
| 28      | 12 74 17 23         | 6764         | White window gasket           | 1    |       |
| 29      | 12 74 17 24         | 7091         | White window                  | 1    |       |
| 30      | 12 74 17 25         | 10447        | Body mounting gasket          | 1    |       |
| 31      | 12 74 17 26         | 3444         | Circlips                      | 2    |       |
| 32      | 12 74 17 27         | 3615         | Nut                           | 2    |       |
| 33      | 12 74 17 28         | 10536        | Rear rubber cup               | 1    |       |



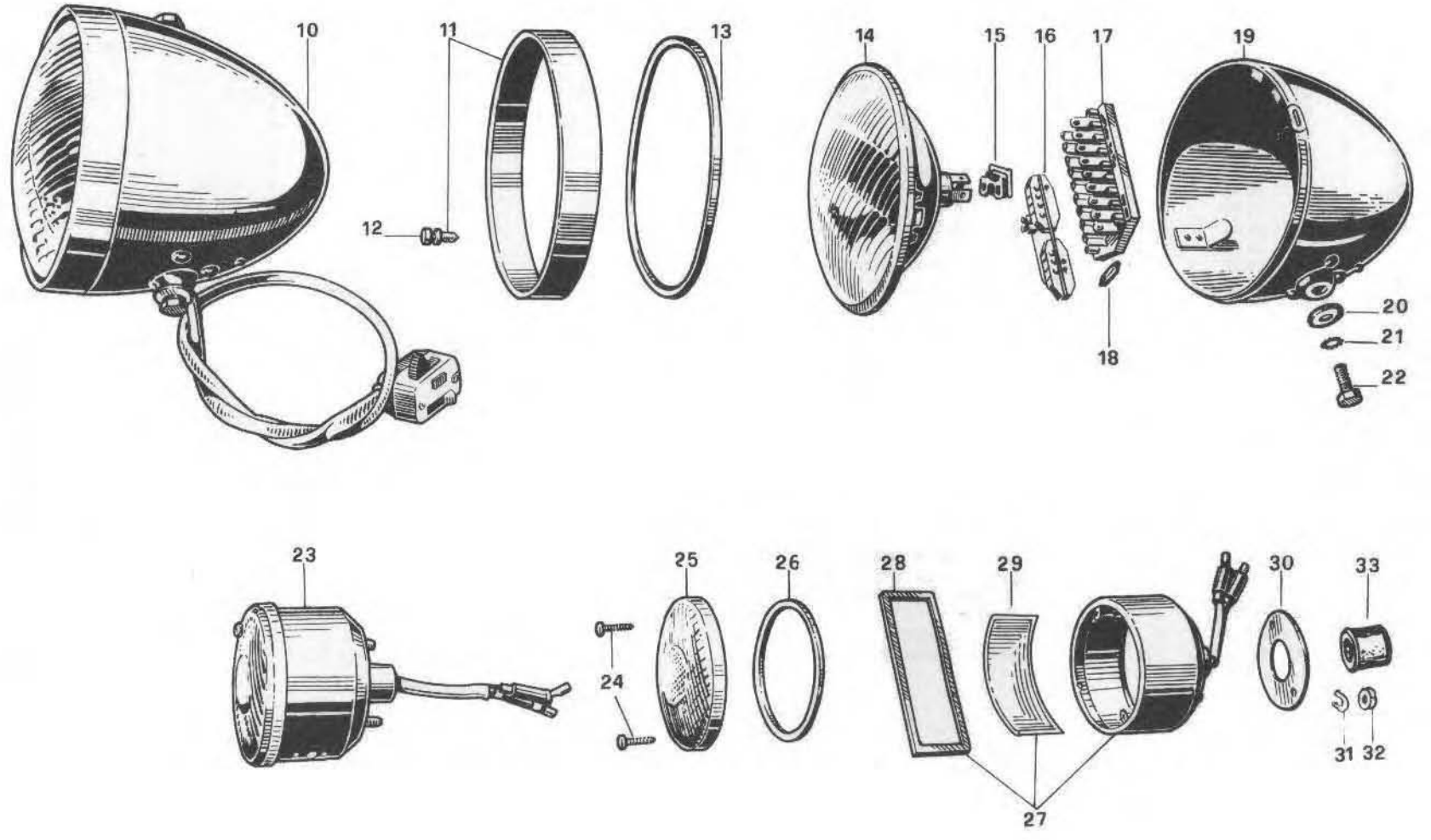




PLATE 51 MODEL: V 850 Eldorado

GROUP: Starter motor

| Fig. N. | Order N. Moto Guzzi | Order N. Bosch | DESCRIPTION                                | Q.ty        | Notes             |
|---------|---------------------|----------------|--|-------------|-------------------|
| A       | 12 73 07 05         | 0001157006     | Starter motor                              | 1           | DF (L) 12V 0,5 PS |
| 10      | 12 73 05 10         | 2004111071     | Coil field ass.y                           | 1           |                   |
| 11      | 12 73 05 11         | 2910551232     | Screw, pole shoes securing                 | 4           | M8x10 DIN 63      |
| 12      | 12 73 05 12         | 2001016000     | Insulating strip                           | 1           |                   |
| 13      | 12 73 05 13         | 2005821107     | Starting Ratchet Cover, c/w bush           | 1           |                   |
| 14      | 12 73 05 14         | 2000301023     | Bushing, ratchet cover                     | 1           |                   |
| 15      | 12 73 05 15         | 2001933080     | Lever, operating                           | 1           |                   |
| 16      | 12 73 05 16         | 1003410005     | Screw, starting ratchet cover              | 1           |                   |
| 17      | 12 73 05 17         | 2916693005     | Washer, insulating, operating lever        | 1           |                   |
| 18      | 12 73 05 18         | 2915051106     | Nut, operating lever                       | 1           |                   |
| 19      | 12 73 05 19         | 2004011025     | Armature                                   | 1           |                   |
| 20      | 12 73 05 20         | 2000202030     | Stop Ring, ratchet cover end               | 1           |                   |
| 21      | 12 73 05 21         | 2006209156     | Starting Ratchet Ass.y, c/w bushing        | 1           |                   |
| 22      | 12 73 05 22         | 2000301040     | Bush, starting ratchet ass.y               | 2           |                   |
| 23      | 12 73 05 23         | 2005851025     | End Cover, c/w bush                        | 1           |                   |
| 24      | 12 73 05 24         | 1000301001     | Bush, end cover                            | 1           |                   |
| 25      | 12 73 05 25         | 2001329900     | Brush Holder, complete                     | 1           |                   |
| 26      | 12 73 05 26         | 2007014018     | Brush Set                                  | 1           |                   |
| 27      | 12 73 05 27         | 2004652005     | Spring, brush                              | 4           |                   |
| 28      | 12 73 05 28         | 2003410085     | Stay Rod, ratchet and end cover securing   | 2           |                   |
| 29      | 12 73 05 29         | 1000100000     | Flat Washer, stay screw                    | 2           |                   |
| 30      | 12 73 05 30         | 2000505001     | Terminal Flange                            | 1           |                   |
| 31      | 12 73 05 31         | 2910021116     | Screw, flange to brush holder              | 2           | M4x6 DIN 84       |
| 32      | 12 73 05 32         | 2916063005     | Flat Washer, flange to brush holder screw  | 2           | A 4 DIN 137       |
| 33      | 12 73 05 33         | 0331302022     | Starter Solenoid, c/w parts n. 35-36-37-38 | 1           |                   |
| 34      | 12 73 05 34         | 1003421000     | Screw, cheese headed                       | 2           |                   |
| 35      | 12 73 05 35         | 1330111000     | Shim, 0,5 mm. (.019")                      | as required |                   |
|         | 12 73 05 36         | 1330111001     | Shim, 1 mm. (.039")                        |             |                   |
| 36      | 12 73 05 37         | 1330516015     | Cap, starter solenoid                      | 1           |                   |
| 37      | 12 73 05 38         | 2910021162     | Screw, cap securing                        | 2           | M5x20 DIN 84      |
| 38      | 12 73 05 39         | 2916693004     | Washer, cap securing screw                 | 2           | B 5 DIN 127       |
| 39      | 12 73 05 40         | 2916693007     | Washer                                     | 2           | B 8 DIN 127       |
| 40      | 12 73 05 41         | 2915051107     | Nut, hexagonal                             | 2           | BM 8 DIN 439      |
| 41      | 12 73 05 42         | 2007010012     | Set of items for armature                  | 1           |                   |

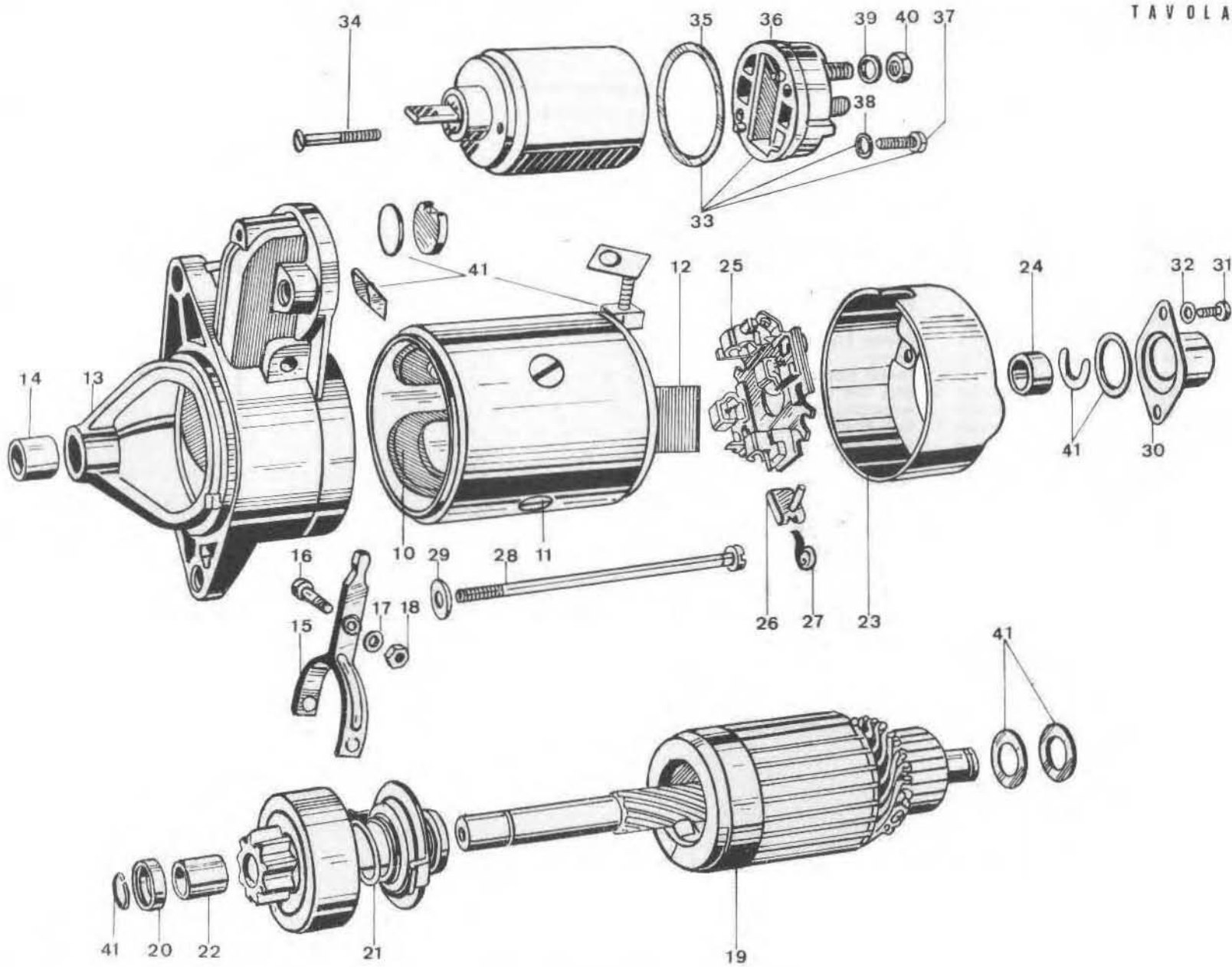




PLATE 52 MODEL: V 850 Eldorado

GROUP: Generator

| Fig. N. | Order N. Moto Guzzi | Order N. Bosch             | DESCRIPTION                          | Q.ty | Notes            |
|---------|---------------------|----------------------------|--------------------------------------|------|------------------|
| A       | 12 70 02 05         | 0101302092                 | Generator                            | 1    | G (R) 14V 25A 23 |
| 10      | 12 70 01 10         | { 1104103024<br>1104103025 | Field Coil { Campo 1<br>Campo 2      | 1    |                  |
| 11      | 12 70 01 11         | 3131007000                 | Insulating Strip                     | 1    |                  |
| 12      | 10 70 02 24         | 2910551284                 | Screw, pole shoe securing            | 2    |                  |
| 13      | 12 70 01 13         | 1105823323                 | Front Cover                          | 1    |                  |
| 14      | 12 70 01 14         | 1105853312                 | End Cover, complete                  | 1    |                  |
| 15      | 12 70 01 15         | 1107014139                 | Brush Set                            | 1    |                  |
| 16      | 12 70 01 16         | 1104652005                 | Spring, brush                        | 2    |                  |
| 17      | 12 70 01 17         | 2910021116                 | Screw                                | 2    |                  |
| 18      | 12 70 01 18         | 2916693003                 | Thrust washer                        | 2    |                  |
| 19      | 12 70 01 19         | 1103410008                 | Stay rod                             | 2    |                  |
| 20      | 12 70 01 20         | 1104013943                 | Armature, complete                   | 1    |                  |
| 21      | 12 70 01 21         | 1900900305                 | Ball Bearing, front cover            | 1    |                  |
| 22      | 10 70 02 17         | 1900900303                 | Ball Bearing, end cover              | 1    |                  |
| 23      | 12 70 01 23         | 1100551040                 | Grease Retaining Ring                | 1    |                  |
| 24      | 12 70 01 24         | 1900023008                 | Woodruff Key                         | 1    |                  |
| 25      | 12 70 01 25         | 1106602026                 | Pulley                               | 1    |                  |
| 26      | 12 70 01 26         | 1101316042                 | Band, generator retaining            | 1    |                  |
| 27      | 12 70 01 27         | 2910021125                 | Cheese Headed screw                  | 1    |                  |
| 28      | 12 70 01 28         | 2915051004                 | Nut, hexagonal                       | 1    |                  |
| 29      | 10 70 02 53         | 3130558000                 | Protection Cap                       | 2    |                  |
| 30      | 12 70 01 30         | 1107011506                 | Set of items for terminal connection | 1    |                  |
| 31      | 12 70 01 31         | 1107010003                 | Set of items for assembling armature | 1    |                  |

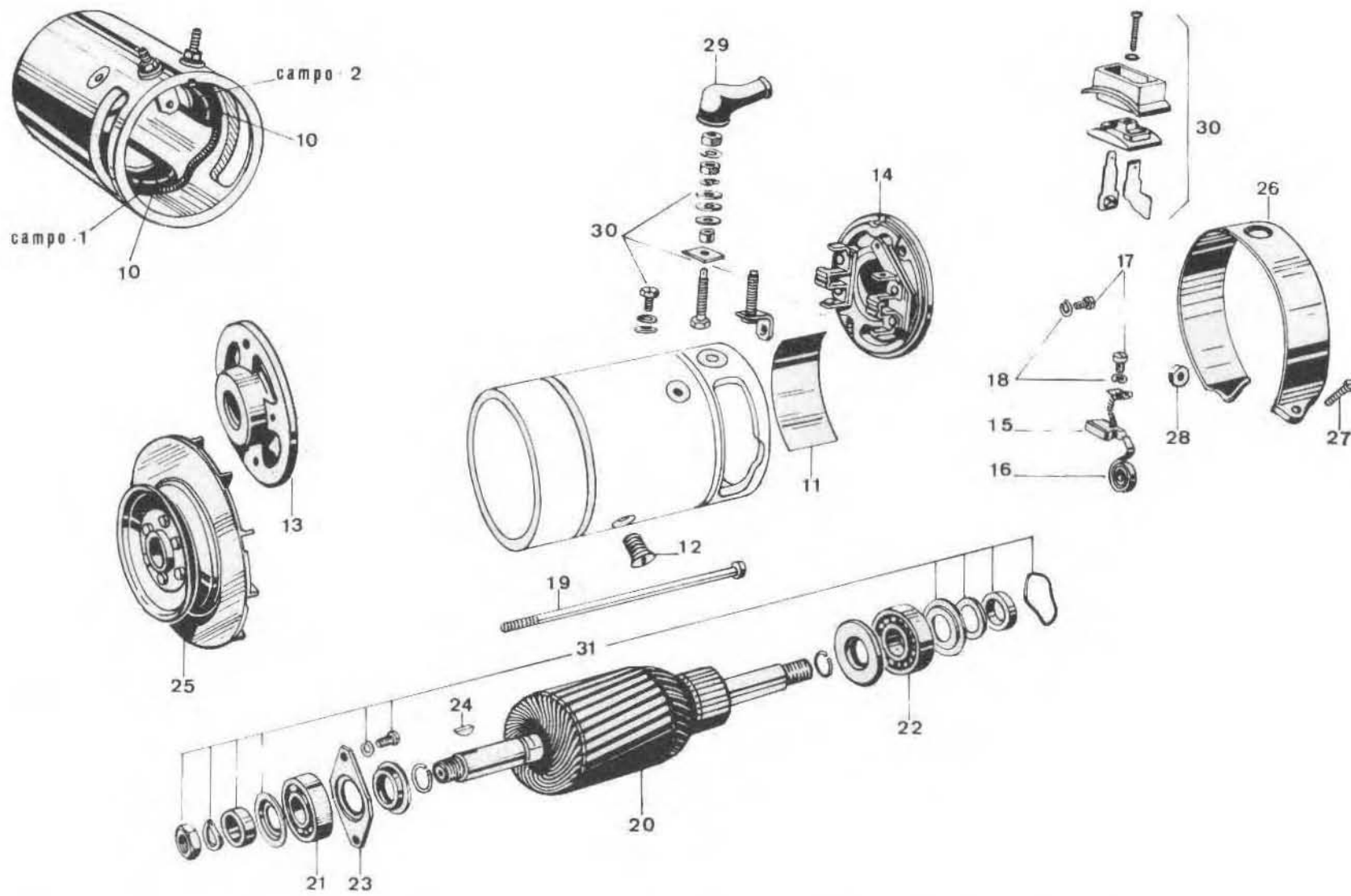




PLATE 53 MODEL: V 850 Eldorado

GROUP: Distributor

| Fig. N. | Order N. Moto Guzzi | Order N. Marelli | DESCRIPTION                    | Q.ty        | Notes |
|---------|---------------------|------------------|--------------------------------|-------------|-------|
| A       | 12 71 54 00         | 61012301         | Distributor S 123 A, complete  | 1           |       |
| 10      | 12 71 54 10         | 70411204         | Housing with bushings          | 1           |       |
| 11      | 12 71 54 11         | 95012194         | Bakelite washer                | 2           |       |
| 12      | 12 71 54 12         | 95005214         | Flat washer                    | 1           |       |
| 13      | 12 71 54 13         | 71023702         | Automatic advance ass.y        | 1           |       |
| 14      | 12 71 54 14         | 95210156         | Spacer                         | 1           |       |
| 15      | 12 71 54 15         | 90059111         | Shim (0,1 mm.)                 | as required |       |
|         | 12 71 54 16         | 90059121         | Shim (0,2 mm.)                 | as required |       |
|         | 12 71 54 17         | 90059131         | Shim (0,5 mm.)                 | as required |       |
| 16      | 12 71 62 00         | 71093810         | Driving pinion                 | 1           |       |
| 17      | 95 51 03 18         | 90027061         | Pinion securing peg            | 1           |       |
| 18      | 12 71 54 20         | 70412101         | Contact breaker unit, complete | 1           |       |
| 19      | 12 71 54 21         | 56181103         | Condensor CE 29 D              | 1           |       |
| 20      | 12 73 07 60         | 90024005         | Spring washer                  | 1           |       |
| 21      | 12 71 54 23         | 90028031         | Condensor fixing screw         | 1           |       |
| 22      | 12 71 54 24         | 74327871         | Cap securing spring            | 2           |       |
| 23      | 12 71 54 25         | 95131104         | Cap spring fixing screw        | 2           |       |
| 24      | 12 71 54 26         | 91215101         | Terminal bolt                  | 1           |       |
| 25      | 12 71 54 27         | 91024001         | Insulating plate               | 1           |       |
| 26      | 12 71 54 28         | 91023002         | Insulating block               | 1           |       |
| 27      | 12 71 54 29         | 90058352         | Flat washer                    | 2           |       |
| 28      | 12 73 07 23         | 90024006         | Spring washer                  | 2           |       |
| 29      | 12 71 54 30         | 95055026         | Terminal nut                   | 2           |       |
| 30      | 12 71 54 31         | 70189503         | Distributor rotor              | 1           |       |
| 31      | 12 71 54 32         | 71037202         | Distributor cap                | 1           |       |
| 32      | 12 71 54 33         | 91066001         | Carbon brush                   | 1           |       |
| 33      | 12 71 54 34         | 95207109         | Seal                           | 1           |       |
| 34      | 12 71 54 35         | 71023802         | Shaft                          | 1           |       |
| 35      | 12 71 54 36         | 71090010         | Governor weight                | 2           |       |
| 36      | 12 71 54 37         | 95226115         | Ball retaining spring          | 1           |       |
| 37      | 12 71 54 38         | 95163101         | Ball                           | 1           |       |
| 38      | 12 71 54 39         | 71093301         | Cam                            | 1           |       |
| 39      | 12 71 54 40         | 95114202         | Cam retaining screw            | 1           |       |
| 40      | 12 71 54 41         | 95200127         | Cam felt pad                   | 1           |       |
| 41      | 12 71 54 42         | 95128044         | Weight spring, 8 coils         | 1           |       |
|         | 12 71 54 43         | 95205175         | Weight spring, 9 coils         | 1           |       |
| 42      | 12 71 54 44         | 70412201         | Plate complete with pin        | 1           |       |
| 43      | 12 71 54 45         | 71006701         | Contact breaker set            | 1           |       |
| 44      | 12 71 54 46         | 95086108         | Fixed point plate screw        | 1           |       |

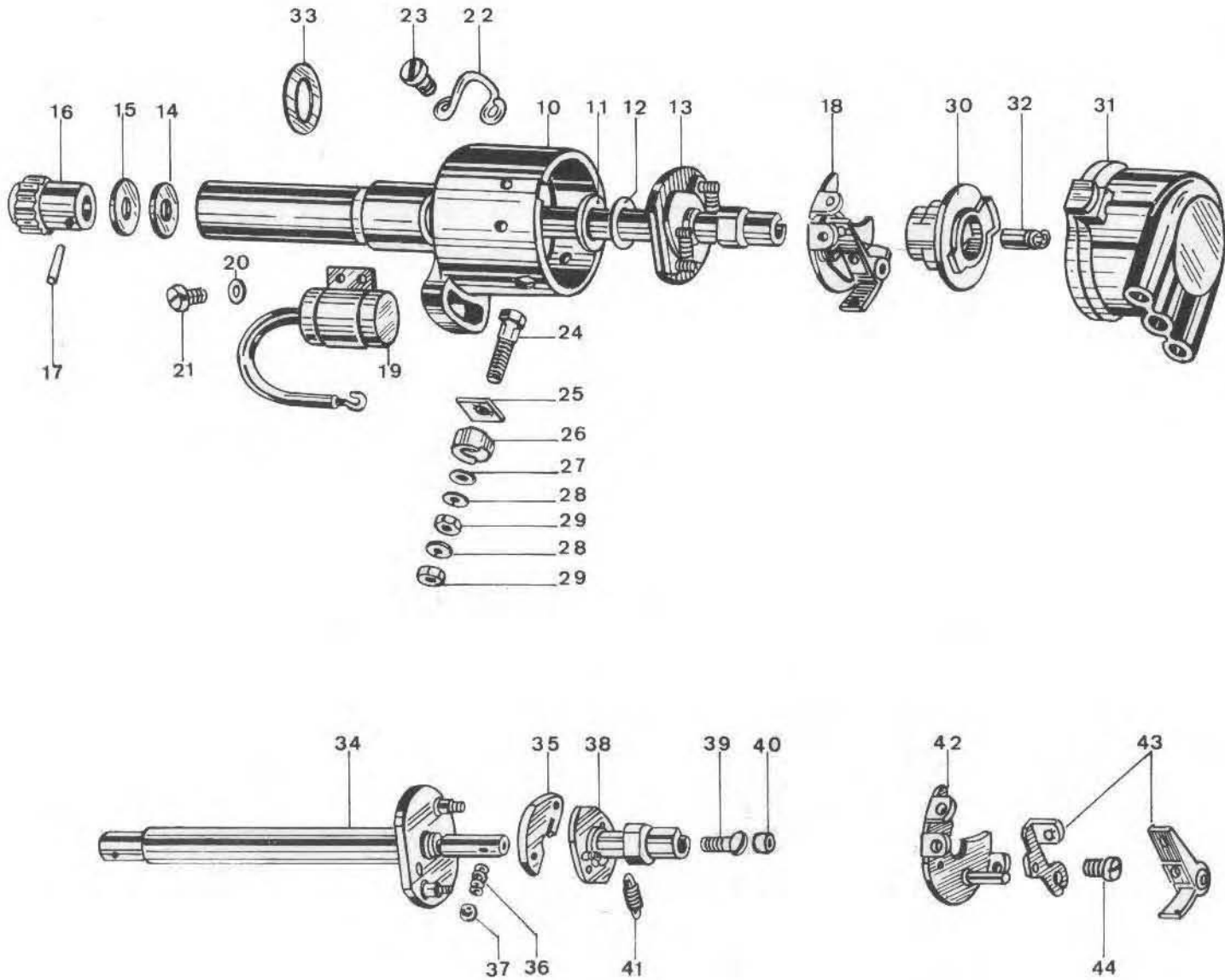


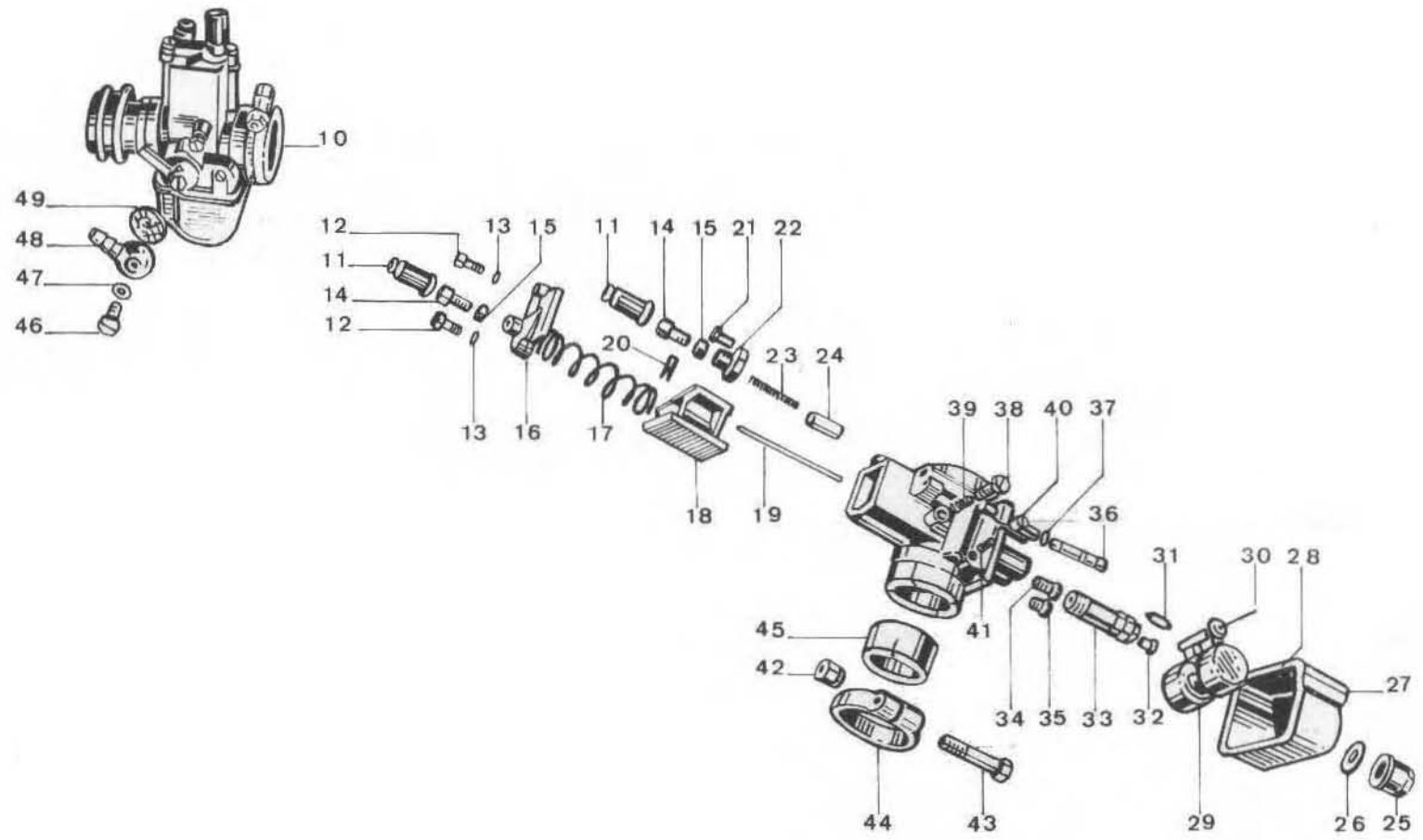


PLATE 54 MODEL: **V 850 Eldorado**  
**Carburation**

GROUP: **Carburetor**

| Fig. N. | Order N. Moto Guzzi | Order N. Dell'Orto | DESCRIPTION  | Q.ty           | Notes             |
|---------|---------------------|--------------------|--|----------------|-------------------|
| 10      | 13 11 26 02         | 3512               | Carburetor, R/H, without cables                      | 1              | Dell'Orto VHB29CD |
|         | 13 11 26 03         | 3511               | Carburetor, L/H, without cables                      | 1              |                   |
| 11      | 13 93 70 00         | 14760006           | Cap, cable ends protection                           | 2              | Dell'Orto VHB29CS |
| 12      | 13 93 28 00         | 39780036           | Screw, mixture chamber cover securing                | 2              |                   |
| 13      | 13 93 29 00         | 50110023           | Spring washer, cover screw                           | 2              |                   |
| 14      | 12 93 72 00         | 11040037           | Thumb screw, throttle and easy start cable adjusting | 2              |                   |
| 15      | 12 93 73 00         | 16910027           | Nut, thumb screw                                     | 2              |                   |
| 16      | 13 93 50 00         | 73380053           | Cover, mixing chamber                                | 1              |                   |
| 17      | 13 93 71 00         | 75580061           | Spring, throttle slide                               | 1              |                   |
| 18      | 13 93 75 00         | 74546064           | Throttle slide                                       | 1              |                   |
| 19      | 13 93 77 00         | 74550508           | Taper needle, type V                                 | 1              |                   |
| 20      | 55 93 85 85         | 14070021           | Stop dowel, taper needle                             | 1              |                   |
| 21      | 13 93 79 00         | 77450036           | Screw, starter unit cover                            | 1              |                   |
| 22      | 13 93 74 00         | 76370006           | Cover, starter unit                                  | 1              |                   |
| 23      | 13 93 76 00         | 40430061           | Spring, starter unit                                 | 1              |                   |
| 24      | 13 93 78 00         | 32380064           | Valve, starter unit                                  | 1              |                   |
| 25      | 13 93 37 00         | 78800034           | Bolt, float chamber securing                         | 1              |                   |
| 26      | 13 93 39 00         | 40570030           | Washer, float chamber bolt                           | 1              |                   |
| 27      | 13 93 44 00         | 78810096           | Body, float chamber                                  | 1              |                   |
| 28      | 13 93 34 00         | 74510030           | Gasket, float chamber                                | 1              |                   |
| 29      | 13 93 30 00         | 74500080           | Float  | 1              |                   |
| 30      | 13 93 31 00         | 73460022           | Pin, float   | 1              |                   |
| 31      | 13 93 48 00         | 45590005           | Needle   | 1              |                   |
| 32      | 13 93 57 00         | 148614502          | Main jet   | 1              |                   |
| 33      | 13 93 88 00         | 78790032           | Accelerator pump                                     | Pump body      | 1                 |
|         |                     | 78310064           |  | Pump plunger   | 1                 |
|         |                     | 71850003           |  | Ball           | 1                 |
|         |                     | 78320033           |  | Valve housing  | 1                 |
|         |                     | 78820061           |  | Plunger spring | 1                 |
|         |                     | 78280034           | Jet holder   | 1              |                   |
| 34      | 13 93 55 00         | 787826528          | Atomizer   | 1              |                   |
| 35      | 13 93 59 00         | 14864502           | Pilot jet  | 1              |                   |
| 36      | 13 93 60 00         | 77468002           | Jet, starter unit                                    | 1              |                   |
| 37      | 13 93 61 00         | 61730037           | Washer, starter unit jet                             | 1              |                   |
| 38      | 13 93 66 00         | 76730037           | Screw, adjusting, throttle slide                     | 1              |                   |
| 39      | 13 93 67 00         | 46700061           | Spring, throttle slide screw                         | 1              |                   |
| 40      | 13 93 62 00         | 74490037           | Screw, adjusting, idling                             | 1              |                   |
| 41      | 13 93 63 00         | 74460061           | Spring, idle screw                                   | 1              |                   |
| 42      | 13 93 68 00         | 17510027           | Nut, air intake securing screw                       | 1              |                   |
| 43      | 13 93 86 00         | 17500036           | Screw, air intake securing                           | 1              |                   |
| 44      | 13 93 87 00         | 17490050           | Band, air intake                                     | 1              |                   |
| 45      | 13 93 89 00         | 74530062           | Insulating bush                                      | 1              |                   |
| 46      | 13 93 49 00         | 45680036           | Screw, fuel line adaptor                             | 1              |                   |
| 47      | 13 93 47 00         | 40520030           | Washer, adaptor securing screw                       | 1              |                   |
| 48      | 13 93 46 00         | 62730038           | Adaptor, fuel line                                   | 1              |                   |
| 49      | 43 93 40 00         | 61090029           | Fuel filter  | 1              |                   |









**Additions and changes to the «V 850 Eldorado»  
parts catalogue**

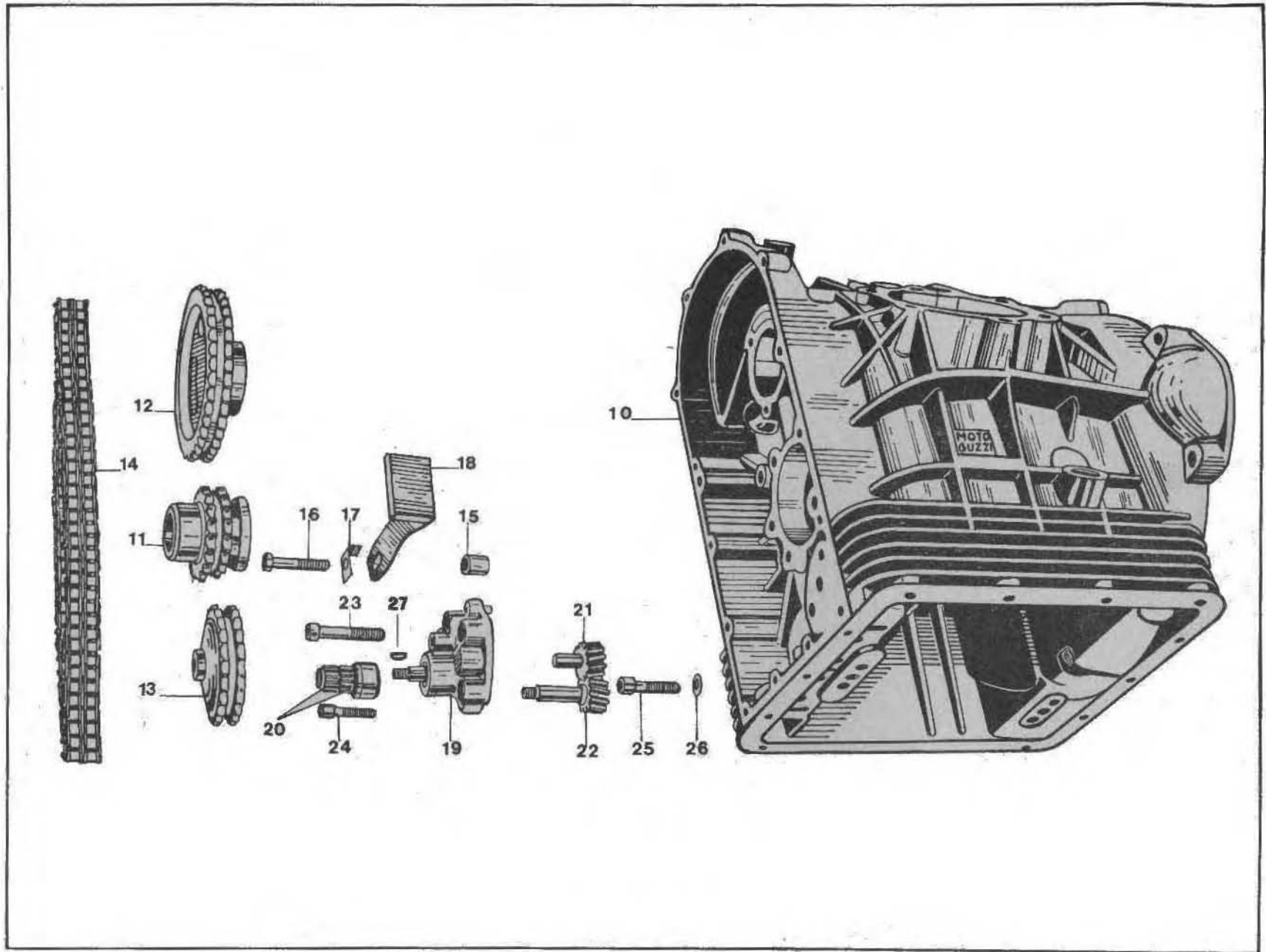
Reference:

Chain Timing System - From engine n. 58532



V 850 cc. ELDORADO - ADDITIONS AND CHANGES TO PLATES 2 - 3 - 4

| REFERENCE TO ELDORADO PARTS CATALOGUE |         |             | New plate for chain timing system from engine n. 58532 |             |  |     |
|---------------------------------------|---------|-------------|--|-------------|--|-----|
| Plate N.                              | Fig. N. | Order N.    | Fig. N.  | Order N.    | DESCRIPTION                              | Qty |
| 2                                     | 10      | 13 00 07 01 | 10   | 13 00 07 02 | Crankcase                                | 1   |
|                                       |         |             | 11   | 13 07 20 01 | Pinion, crankshaft (Z = 19)              | 1   |
| 3                                     | 23      | 13 07 17 00 | 12   | 13 05 45 02 | Sprocket wheel, camshaft (Z = 38)        | 1   |
|                                       |         |             | 13   | 13 14 77 01 | Sprocket wheel, oil pump (Z = 24)        | 1   |
| 3                                     |         |             | 14   | 13 05 80 00 | Chain, timing                            | 1   |
| 3                                     |         |             | 15   | 91 18 09 15 | Spacer                                   | 2   |
| 3                                     |         |             | 16   | 98 05 24 40 | Screw, chain tensionner                  | 2   |
| 3                                     |         |             | 17   | 13 05 86 00 | Lock plate                               | 2   |
| 3                                     |         |             | 18   | 13 05 82 00 | Chain tensionner                         | 1   |
| 4                                     | 30      | 13 14 77 00 | 13   | 13 14 77 01 | Sprocket wheel, oil pump (Z = 24)        | 1   |
| 4                                     | 27      | 13 14 62 01 | 19   | 13 14 64 02 | Oil pump without driving sprocket wheel  | 1   |
| 4                                     |         |             | 20   | 92 25 22 10 | Needle bearing (Durkop NAF 10 x 22 x 20) | 2   |
| 4                                     | 29      | 12 14 85 00 | 21   | 13 14 84 00 | Gear, driven                             | 1   |
| 4                                     | 28      | 12 14 78 00 | 22   | 13 14 78 00 | Spindle gear, driving                    | 1   |
| 4                                     | 35      | 98 05 24 55 | 23   | 98 62 04 45 | Long screw, oil pump securing            | 2   |
| 4                                     | 34      | 98 10 80 42 | 24   | 98 62 04 30 | Short screw, oil pump securing           | 2   |
| 4                                     | 45      | 98 02 04 35 | 25   | 98 62 04 35 | Screw, filter securing                   | 1   |
| 4                                     | 46      | 95 12 00 85 | 26   | 95 00 42 08 | Washer, filter securing screw            | 1   |
| 4                                     | 31      | 91 70 12 32 | 27   | 13 14 83 00 | Key, oil pump driving gear               | 1   |







## **Additions to the «V 850 ELDORADO» parts catalogue**

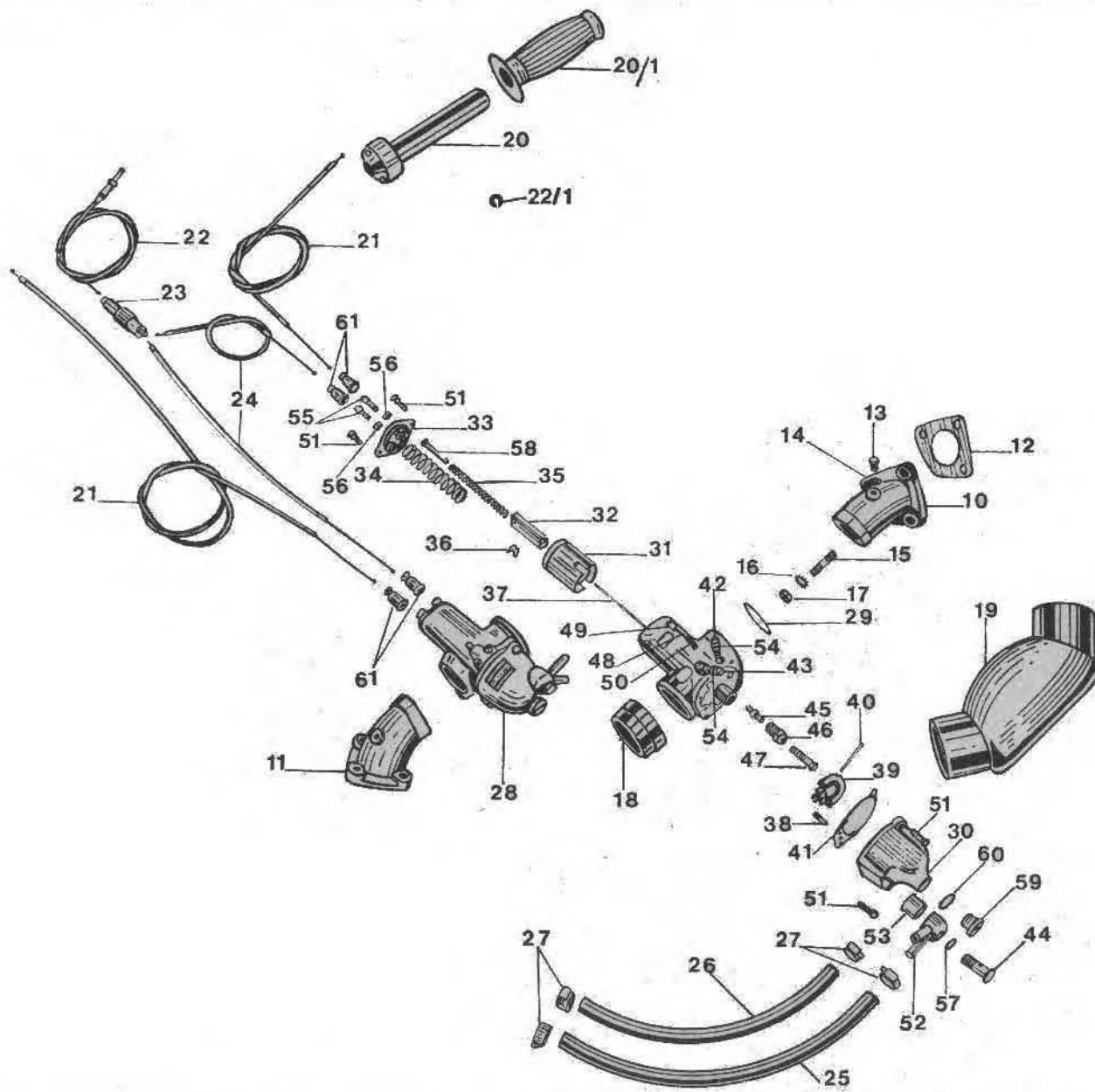
**Reference:**

**«AMAL» carburettors parts for 850 Eldorado and California Models.**



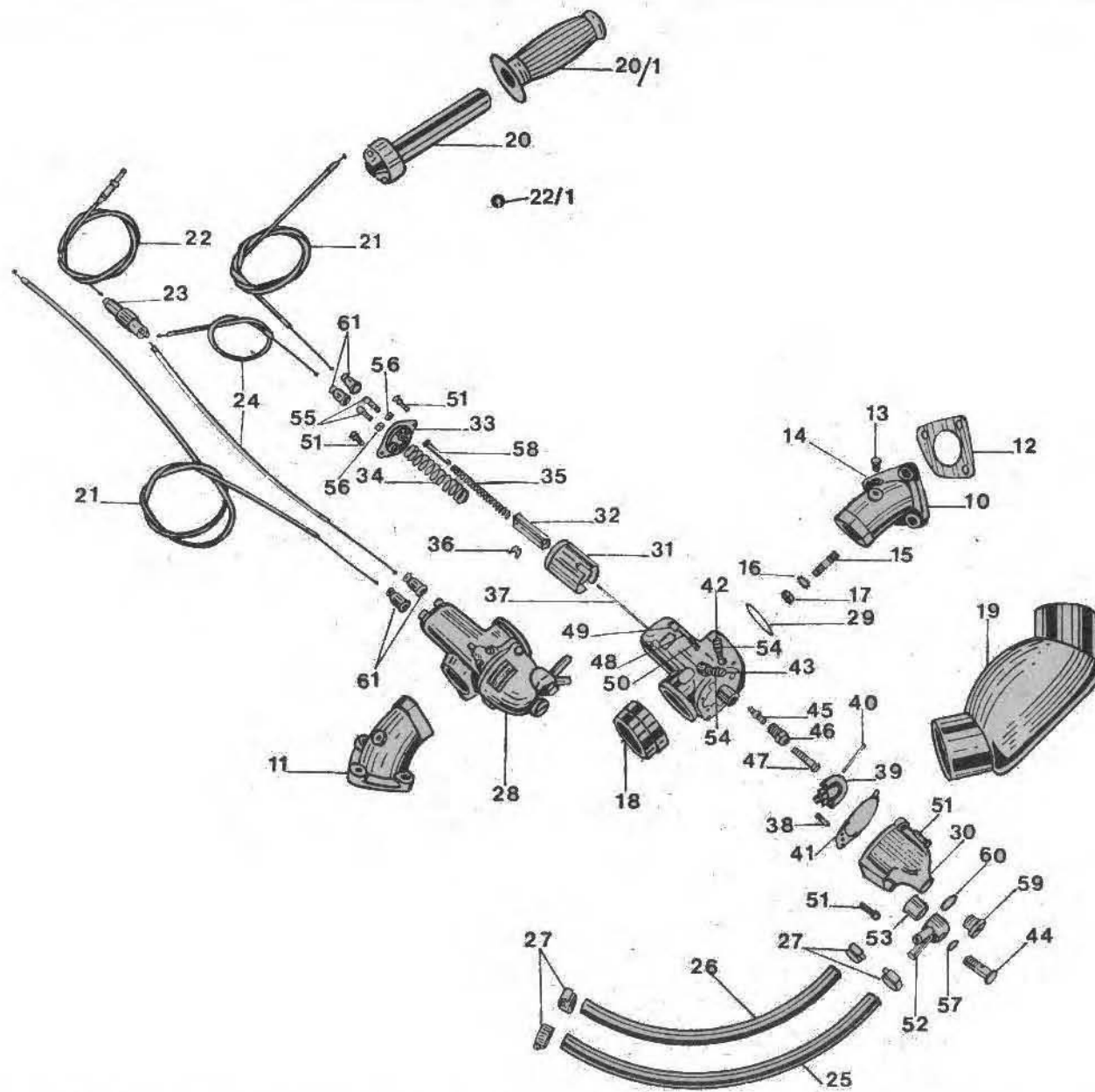
| N. Fig. | Order N. Moto Guzzi | Order N. Amal | DESCRIPTION                             | Q.ty | Notes |
|---------|---------------------|---------------|---|------|-------|
| 10      | 13 11 50 60         |               | Air intake tube, r/h.                   | 1    |       |
| 11      | 13 11 50 61         |               | Air intake tube, l/h.                   | 1    |       |
| 12      | 14 11 55 00         |               | Gasket, air intake insulating           | 4    |       |
| 13      | 98 34 60 10         |               | Screw, intake pipe to cylinder head     | 2    |       |
| 14      | 95 10 01 16         |               | Washer                                  | 2    |       |
| 15      | 96 50 80 30         |               | Bolt, intake pipe to carburettors       | 4    |       |
| 16      | 95 02 11 08         |               | Bolt washer                             | 4    |       |
| 17      | 92 60 22 08         |               | Bolt nut                                | 4    |       |
| 18      | 13 11 44 60         |               | Air intake tube on carburettors         | 2    |       |
| 19      | 13 11 43 60         |               | Rubber sleeve                           | 1    |       |
| 20      | 13 60 34 60         |               | Twist grip control                      | 1    |       |
| 20/1    | 14 60 35 00         |               | Rubber grip, handlebar r/h.             | 1    |       |
|         | 14 60 30 00         |               | Rubber grip, handlebar l/h.             | 1    |       |
| 21      | 13 11 75 60         |               | Throttle cable                          | 2    |       |
| 22      | 13 60 83 60         |               | Air cable, handlebar to speedo drive    | 1    |       |
| 22/1    | 14 44 43 00         |               | Cable washer                            | 1    |       |
| 23      | 13 11 74 60         | 244/104       | Speedo drive, complete                  | 1    |       |
| 24      | 13 11 71 60         |               | Air cable, speedo drive to carburettors | 2    |       |
| 25      | 95 98 57 31         |               | Fuel line, tank to carburettors         | 2    |       |
| 26      | 95 98 57 23         |               | Tube, carburettors connection           | 1    |       |
| 27      | 12 10 84 00         |               | Band, connecting tube                   | 6    |       |
| 28      | 13 11 26 60         | R930/80       | Carburettor r/h. complete               | 1    |       |
|         | 13 11 26 61         | L930/81       | Carburettor l/h. complete               | 1    |       |
| 29      | 13 11 49 60         | 622/101       | Gasket, intake tube to carburettor      | 4    |       |
| 30      | 13 93 00 60         | 622/055       | Float chamber body                      | 2    |       |
| 31      | 13 93 01 60         | 928/060       | Throttle valve                          | 2    |       |
| 32      | 13 93 02 60         | 928/062       | Air valve                               | 2    |       |
| 33      | 13 93 03 60         | 928/064       | Mixing chamber top                      | 2    |       |
| 34      | 13 93 04 60         | 622/131       | Throttle valve spring                   | 2    |       |
| 35      | 13 93 05 60         | 622/129       | Air valve spring                        | 2    |       |
| 36      | 13 93 06 60         | 622/067       | Needle clip                             | 2    |       |
| 37      | 13 93 07 60         | 622/124       | Throttle needle                         | 2    |       |
| 38      | 13 93 08 60         | 622/068       | Needle for float                        | 2    |       |
| 39      | 13 93 09 60         | 622/069       | Float                                   | 2    |       |
| 40      | 13 93 10 60         | 622/071       | Float spindle                           | 2    |       |
| 41      | 13 93 11 60         | 622/073       | Float chamber washer                    | 2    |       |
| 42      | 13 93 12 60         | 622/076       | Air adjuster screw                      | 2    |       |








| N. Fig. | Order N. Moto Guzzi | Order N. Amal | DESCRIPTION                       | Qty | Notes |
|---------|---------------------|---------------|-----------------------------------|-----|-------|
| 43      | 13 93 13 60         | 622/077       | Throttle stop                     | 2   |       |
| 44      | 13 93 14 60         | 622/078       | Bolt, two ways adaptor securing   | 1   |       |
| 45      | 13 93 15 60         | 622/122       | Needle jet                        | 2   |       |
| 46      | 13 93 16 60         | 622/128       | Jet holder                        | 2   |       |
| 47      | 13 93 17 60         | 376/100       | Main jet                          | 2   |       |
| 48      | 13 93 18 60         | 622/089       | Tickler stem                      | 2   |       |
| 49      | 13 93 19 60         | 622/081       | Stem top                          | 2   |       |
| 50      | 13 93 20 60         | 14/032        | Tickler spring                    | 2   |       |
| 51      | 13 93 21 60         | 622/086       | Screws for mixing chamber and top | 4   |       |
| 52      | 13 93 22 60         | 376/410       | Two ways adaptor for fuel lines   | 2   |       |
| 53      | 13 93 23 60         | 376/093       | Filter                            | 2   |       |
| 54      | 13 93 24 60         | 622/082       | O ring                            | 4   |       |
| 55      | 13 93 25 60         | 4/035         | Cable adjusters                   | 4   |       |
| 56      | 13 93 26 60         | 5/077         | Cable adjuster locknut            | 4   |       |
| 57      | 13 93 27 60         | 13/163        | Adaptor gasket                    | 2   |       |
| 58      | 13 93 28 60         | 928/103       | Air valve guide                   | 2   |       |
| 59      | 13 93 29 60         | 622/147       | Float chamber plug                | 2   |       |
| 60      | 13 93 30 60         | 622/151       | Plug washer                       | 2   |       |
| 61      | 13 93 31 60         | 316/083       | Cap, cable protection             | 4   |       |





| SEIMM<br><br>MOTO GUZZI   |         | SERVICE DEPARTMENT                            | SPARE PARTS CATALOGUE     |      |              |      | DECEMBER 1972  |
|--|---------|---|---------------------------|------|--------------|------|--|
|  |         | SPARE PARTS                                   | MODEL: V-850 cc. ELDORADO |      |              |      |  |
| Plate n.   | Fig. n. | DESCRIPTION                                   | Previous order n°         | Q.ty | New order n° | Q.ty | REMARKS  |
| 1  | 34      | SCREW, rocker spindle                         | 98054312                  | 2    | 98054314     | 2    | part modified  |
| 3  | 20/1    | PISTON RING SET                               | 13060900                  | 2    | 13060660     | 2    | amendment  |
| 4  | 27      | OIL PUMP, complete, without driving gear      | 13146201                  | 1    | 13146400     | 1    | New design part<br>Can be fitted also on<br>AMBASSADOR model |
| * 9  | 43      | BUSHING, 1st, 2nd, 3rd speed gear on layshaft |                           | 3    | 14213001     | 3    | } New design parts   |
| * 9  | 49      | LAYSHAFT                                      |                           | 1    | 14213611     | 1    |  |
| * 9  | 53      | SLEEVE, fixed, on layshaft                    |                           | 1    | 14232511     | 1    |  |
| * 9  | 54      | SLEEVE, sliding, 3rd and 4th speed            |                           | 1    | 14231011     | 1    |  |
| <p>(*) CAUTION: All items with an asterisk are fitted in transmissions marked "4".<br/> It is also possible to assemble them in transmissions marked "3" or previous but in such case the entire old set of parts must be changed (14213000 - 13213610 - 14232510 - 14231010).<br/> However, the above old set of parts will continue to be supplied until all stocks are exhausted.</p> |         |   |                           |      |              |      |  |

